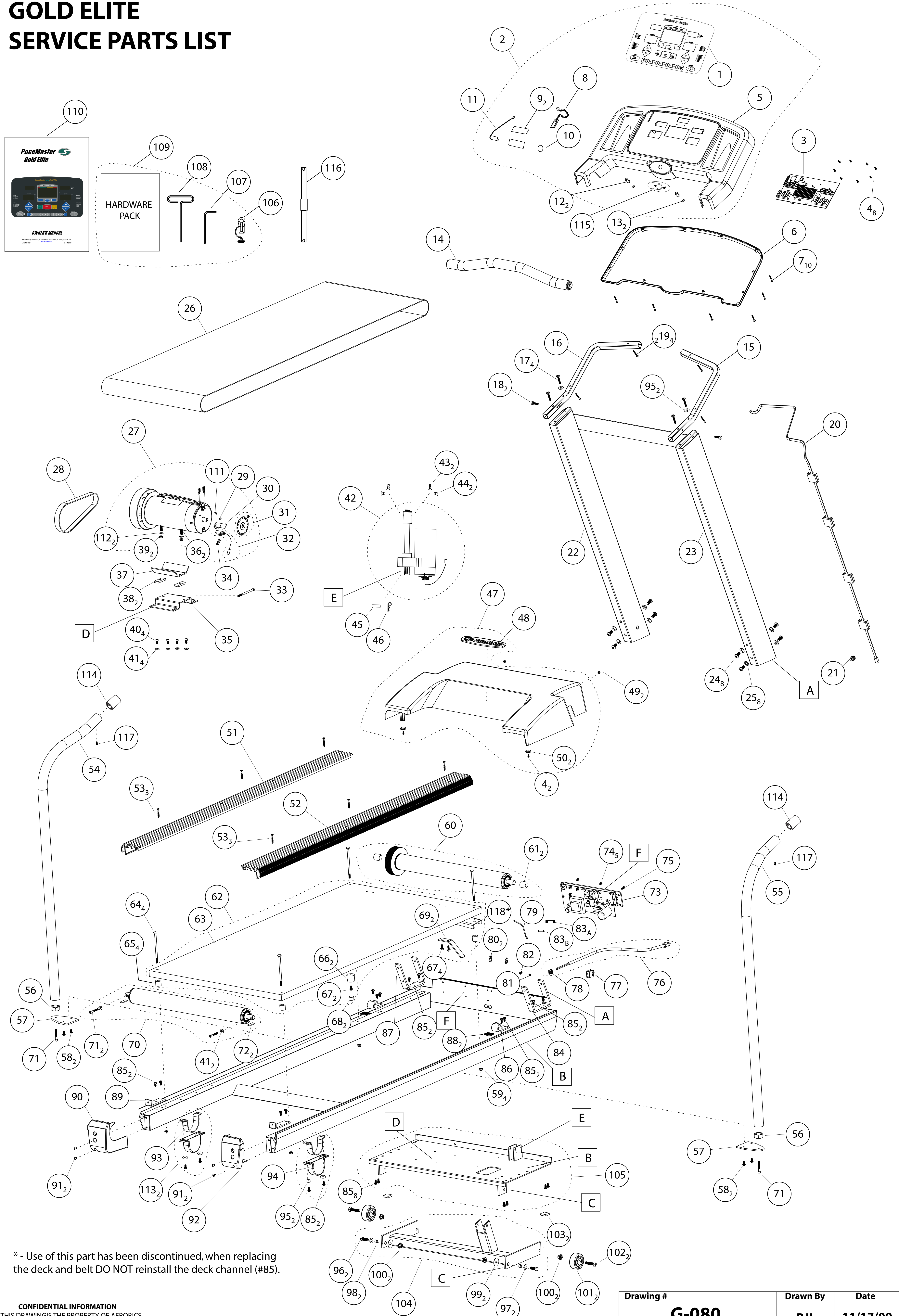


# GOLD ELITE SERVICE PARTS LIST



\* - Use of this part has been discontinued, when replacing the deck and belt DO NOT reinstall the deck channel (#85).

**CONFIDENTIAL INFORMATION**  
THIS DRAWING IS THE PROPERTY OF AEROBICS INC. WEST CALDWELL, NJ. IT IS LOANED FOR CONFIDENTIAL USE, SUBJECT TO RETURN ON REQUEST, AND WITH THE MUTUAL UNDERSTANDING THAT IT WILL NOT BE USED IN ANY MANNER DETRIMENTAL TO THE INTERESTS OF AEROBICS INC.

**AEROBICS INC.** 34 FAIRFIELD PL., WEST CALDWELL, NJ 07006

<b>Drawing #</b> <b>G-080</b>	<b>Drawn By</b> BJL	<b>Date</b> 11/17/09
<b>Serial # Range</b> <b>411 G 60000 - 503 G 64728</b>		<b>Rev</b> A

## PaceMaster Gold Elite Parts List

Refer to drawing number : G-080

Serial Number range: 411 G 60000 - 503 G 64728

Date: 11/17/09

Bubble #	Part #	Description	Qty / unit	Whsle	Retail
1	DGEMEM	Gold Elite Membrane	1	\$35.00	\$70.00
2	DGEPNL	Gold Elite Panel wkeypad nopcb	1	\$60.00	\$120.00
3	DGEPCB	Gold Elite Processor	1	\$140.00	\$280.00
4	TMP135	screw, #6 x 3/8"	8	\$0.50	\$1.00
5	TMP1004	Control Panel, Front	1	\$15.00	\$30.00
6	TMP1005	Control Panel, Back	1	\$15.00	\$30.00
7	TMP1007	screw, #8 x 1.25", black	10	\$0.50	\$1.00
8	DGEHRR	Remote wireless HR Receiver with wiring & mounting tape	1	\$20.00	\$40.00
9	T191134	Tape w/release liner	1	\$0.50	\$1.00
10	TMP120	steel disc	1	\$0.50	\$1.00
11	DGERS	Remote Reed Switch w/wiring	1	\$10.00	\$20.00
12	TMP1603	book holder	2	\$1.00	\$2.00
13	TMP1604	palnut, book holder	2	\$0.50	\$1.00
14	DGEERGO	Ergo Bar w/grip No Contact HR	1	\$15.00	\$30.00
15	TMP1002R	panel support tube, right	1	\$12.00	\$24.00
16	TMP1002L	panel support tube, left	1	\$12.00	\$24.00
17	TMP1021	screw, #14 x 1.5", SMS, A	4	\$0.50	\$1.00
18	TMP1012	bolt, 1/4-20 x 1.75", hex	2	\$0.50	\$1.00
19	TMP1006	screw, #8 x 1.5", black	4	\$0.50	\$1.00
20	DBBHRNS	Wire Harness Ass'y (connects upper & lower boards) Black 93" long	1	\$13.00	\$26.00
21	TMP109	strain Relief	1	\$0.50	\$1.00
22	DGELUP	Gray Left Painted Upright (Gold/Plat/Prem)	1	\$25.00	\$50.00
23	DGERUP	Gray Right Painted Upright (Gold/Plat/Prem)	1	\$25.00	\$50.00
24	TMP1600	screw, 3/8-16 x 3/4", black	8	\$0.50	\$1.00
25	TMP1601	washer, 3/8", flat, black	8	\$0.50	\$1.00
26	DGEBLT	Tread Belt (20" x 120") lubricated	1	\$110.00	\$220.00
27	DBBDRMTREMI	3.0 hp McMillan Drive Motor w/EMI Filter, Flywheel, Speed Sensor, disc & Sensor Brkt (120 volt)	1	\$185.00	\$370.00
28	DBBDRBLT	Dirve belt 240 J10	1	\$15.00	\$30.00
29	TMP459	screw, #10 x 3/8", A	1	\$0.50	\$1.00
30	TMP415	speed sensor bracket	1	\$0.50	\$1.00
31	DBBSSD	Speed Sensor Disc w/Hub & ste screw	1	\$12.00	\$24.00
32	DBBOSA	Optical Sennsor Assy w/wiring	1	\$12.00	\$24.00
33	TMP436	bolt, 1/4-20 x 4, drive motor tension	1	\$1.00	\$2.00
34	TMP432	zip tie, 4"	1	\$0.50	\$1.00
35	TMP434	drive motor lower mounting bracket	1	\$8.00	\$16.00
36	TMP492	stud, 5/16-24 x 1", drive motor to bracket	2	\$1.00	\$2.00
37	TMP408	drive motor upper mounting bracket	1	\$5.00	\$10.00
38	TMP403	drive motor isolation pads	2	\$1.00	\$2.00
39	TMP493	nut, 5/16-24, drive motor	2	\$0.50	\$1.00
40	TMP410	bolt, 1/4-20 x 1/2", drive motor assembly	4	\$0.50	\$1.00
41	TMP423-1	washer, 1/4", standard flat	4	\$0.50	\$1.00
42	DBBELMA	Elevation Motor Ass'y w/potentiometer & wiring (120 volt)	1	\$100.00	\$200.00
43	TMP311	Hairpin Clip, 3/8"	2	\$0.50	\$1.00
44	TMP310	yoke pivots	2	\$1.00	\$2.00

Bubble #	Part #	Description	Qty / unit	Whsle	Retail
45	TMP308	Clevis pin, 3/8" x 1.25"	1	\$2.50	\$5.00
46	TMP309	Hitch pin, 3/8"	1	\$0.50	\$1.00
47	DGECVR	Gray Motor Cover Ass'y w/decal	1	\$35.00	\$70.00
48	TMP1408	Pacemaster decal	1	\$10.00	\$20.00
49	TMP437	motor cover screw	2	\$0.50	\$1.00
50	TMP419	velcro buttons 13/16" diameter	2	\$1.00	\$2.00
51	DGELDKSHRD	Left Deck Shroud Gold/Plat (FO	1	\$25.00	\$50.00
52	DGERDKSHRD	Right Shroud, Gold/Plat (FOR 3	1	\$25.00	\$50.00
53	TMP1504	screw, #10 x 1.5", SMS A, deck shroud	8	\$0.50	\$1.00
54	DGELSDRL	Left Blue/Gray Siderail w/grip Bottom mnt, NO hole	1	\$20.00	\$40.00
55	DGERSDRL	Right BlueGray siderail w/grip	1	\$20.00	\$40.00
56	TMP1103	Lower Sleeve - Side Rail	2	\$1.00	\$2.00
57	TMP1306	Bracket, Siderail Mount	2	\$5.00	\$10.00
58	TMP1010	Screw, #14x1/2 "B" TrxPnHdBlk	4	\$0.50	\$1.00
59	TMP019-1	kep nut, 1/4-20, black	4	\$0.50	\$1.00
60	DBBDRRLR	Driver roller Ass'y w/Pulley & Axle	1	\$60.00	\$120.00
61	TMP005	drive roller isolators	2	\$1.00	\$2.00
62	DGEBED1MILL	1" Milled Treadbed no/wax (51.5"x27") belt guides,soft step bumpers, & screws	1	\$90.00	\$180.00
63	TMP074-1IN	replacement bed	1	\$70.00	\$140.00
64	TMP484	bolt, 1/4-20 x 5, carraige	4	\$1.00	\$2.00
65	TMP024	Deck Spacer (Black)	4	\$0.50	\$1.00
66	TMP020	rubber bumper	2	\$2.00	\$4.00
67	TMP021	screw, #14 x 3/4", SMS A	6	\$0.50	\$1.00
68	TMP040	rubber snubber	2	\$0.50	\$1.00
69	DBBBLTGD	Belt Guide	2	\$2.00	\$4.00
70	DBBIDRLR	Idler Roller (rear) w/axle 2.5" O.D.x23" long w/mounting bolts & washers	1	\$50.00	\$100.00
71	TMP1310	bolt, 1/4-20 x 2", belt tension	2	\$2.50	\$5.00
72	TMP327	idle roller rubber pad	2	\$0.50	\$1.00
73	DBBPWRA	Digital Power Supply Board w/EMI Filter & chassis (120 Volt)	1	\$150.00	\$300.00
74	TMP521	screw,#6-32 x 3/8", power supply	5	\$0.50	\$1.00
75	TMP522	screw,#6-32 x 5/8", power supply, ground el mtr	1	\$0.50	\$1.00
76	DBBPWRCRD	Power cord w/ends terminated & Strain Relief (120 Volt)	1	\$12.00	\$24.00
77	DBBRCB	Resetable circut break 15 amp 120 Volt	1	\$10.00	\$20.00
78	TMP035	stain relief, power cord	1	\$0.50	\$1.00
79	DBBBRJMPR	Brown Jumper Wire w/connectors	1	\$1.50	\$3.00
80	TMP361	purse clip	2	\$0.50	\$1.00
81	TMP516	kep nut, #6-32, for TMP522	1	\$0.50	\$1.00
82	TMP517	screw, #10x3/8", green, ground, line cord	1	\$0.50	\$1.00
83 A	DBBDFUSE	Drive circuit fuse 20 amp ceramic	1	\$1.00	\$2.00
83 B	DBBEFUSE	Elevation Circuit Fuse 2.5 amp	1	\$1.00	\$2.00
84	TMP1305	uprigh bracket, right	1	\$10.00	\$20.00
85	TMP006	screw, #14 x 1/2", SMS B	21	\$0.50	\$1.00
86	DBBDRLBK	Drive roller mounting bracket	2	\$5.00	\$10.00
87	TMP1304	uprigh bracket, left	1	\$10.00	\$20.00
88	TMP421	velcro strip, 1" x 1.25"	2	\$1.00	\$2.00
89	DBBIRLBK	Idler Roller Mounting Bracket	2	\$5.00	\$10.00
90	DGELECAP	Left Rear End Cap (grey)	1	\$10.00	\$20.00
91	TMP1502	bolt, 10-24 x 1/2"	2	\$0.50	\$1.00
92	DGERECAP	Right Rear End Cap (grey)	1	\$10.00	\$20.00

Bubble #	Part #	Description	Qty / unit	Whsle	Retail
93	TMP030	steel foot	2	\$5.00	\$10.00
94	TMP032	rubber cover for foot	2	\$5.00	\$10.00
95	TMP031	washer, 1/4"	4	\$0.50	\$1.00
96	TMP322	bolt, 3/8-16 x 1"	2	\$0.50	\$1.00
97	TMP318	washer, 3/8" standard	2	\$0.50	\$1.00
98	TMP299	bushing, cradle	2	\$1.00	\$2.00
99	TMP331	washer, 3/8" x 1.312	2	\$0.50	\$1.00
100	TMP314	kep nut, 3/8-16	4	\$0.50	\$1.00
101	TMP312	wheel, 2.5" dia	2	\$5.00	\$10.00
102	TMP313	bolt, 3/8-16 x 1.75" button head, cradle wheel	2	\$1.50	\$3.00
103	TMP325	cradle rubber bumper	2	\$0.50	\$1.00
104	DBBELCR	Gray Elevation Cradle Ass'y w/mounting hardware	1	\$25.00	\$50.00
105	DBBLYPANR	Gray Replacement Belly Pan with 8 mounting screws	1	\$50.00	\$100.00
106	DBBKEY	Magnetic Safety Key Ass'y w/Garment Clip	1	\$10.00	\$20.00
107	TMP1602	wrench, 7/32, allen	1	\$1.50	\$3.00
108	TMP1615	wrench, 3/16 allen, t-handle	1	\$4.00	\$8.00
109	DGEHRDWREN	Hardware package	1	\$15.00	\$30.00
110	TMP1610	Manual, Gold Elite	1	\$0.00	\$0.00
111	TMP437	screw, #8 x 1/2", A, black	1	\$0.50	\$1.00
112	TMP424	washer, 5/16", internal tooth	2	\$0.50	\$1.00
113	DBBFOOT	900100	2	\$10.00	\$20.00
114	TMP1015	siderail adpator	2	\$2.00	\$4.00
115	TMP1404	key surround sticker	1	\$1.00	\$2.00
116	900100	Chest Strap, Heart Rate	1	\$30.00	\$50.00
117	TMP422	screw, #8 x 1/2", black	2	\$0.50	\$1.00
118	Deleted		---	---	---