

COMPLETE PARTS LIST

Item No.	Description	Qty.	Part No.
9.45ST-100	Complete Computer Console		
101	Overlay	1	9.45ST-101
102	Computer Insert	1	9.45ST-102
103	Console PC Board	1	9.45ST-103
104	Console Housing – Upper	1	9.45ST-104
105	Console Housing – Bottom	1	9.45ST-105
106	Safety Key Base	1	9.45ST-106
107	Safety Key	1	9.45ST-107
108	Safety Key Wire – Upper	1	9.45ST-108
109	Computer Wire – Upper	1	9.45ST-109
110	Computer Ground Wire	1	9.45ST-110
111	Hand Pulse Wire – Upper	2	9.45ST-111
112	E – Prom	1	9.45ST-112
113	Motion Control Board	1	9.45ST-113
114	Motion Control Board Wire	1	9.45ST-114
115	Motion Control Sensor Wire	2	9.45ST-115
116	Water Bottle Holder	2	9.45ST-116
9.45ST-200	Complete Handle Bar Components		
201	Handle Bar Upright	2	9.45ST-201
202	Handle Bar Upright Foam Grip	2	9.45ST-202
203	Front Handle Bar	1	9.45ST-203
204	Front Handle Bar Foam Grip-Short	1	9.45ST-204
205	Front Handle Bar Foam Grip-Long	2	9.45ST-205
206	Hand Pulse Set	2	9.45ST-206
207	Motion Control	2	9.45ST-207
208	Motion Control Base	2	9.45ST-208
9.45ST-300	Complete Upright Components		
301	Upright	2	9.45ST-301
303	Upright Cover-LL	1	9.45ST-303
304	Upright Cover-LR	1	9.45ST-304
305	Upright Cover-RL	1	9.45ST-305
306	Upright Cover-RR	1	9.45ST-306
307	Safety Key Wire – Middle	1	9.45ST-307
308	Computer Wire – Upper	1	9.45ST-308
309	Motion Control Sensor Wire - Middle	2	9.45ST-309

COMPLETE PARTS LIST

Item No.	Description	Qty.	Part No.
310	Adjustable Cylinder	2	9.45ST-310
311	Upright Plastic Shroud – LL	1	9.45ST-311
312	Upright Plastic Shroud – LR	1	9.45ST-312
313	Upright Plastic Shroud – RL	1	9.45ST-313
314	Upright Plastic Shroud – RR	1	9.45ST-314
315	Adjustable Cylinder Cover - Upper	2	9.45ST-315
318	Fixing Inserts	2	9.45ST-316
9.45ST-400	Complete Base Frame Components		
401	Base Frame	1	9.45ST-401
402	Safety Key Wire – Lower	1	9.45ST-402
403	Computer Wire –Lower	1	9.45ST-403
404	Power Switch Plate Cover	1	9.45ST-404
405	Power Switch Plate	1	9.45ST-405
406	Power Breaker	1	9.45ST-406
407	Power Switch	1	9.45ST-407
411	Bushing	4	9.45ST-411
412	Fix Bolt Sets	2	9.45ST-412
413	Front Caster	2	9.45ST-413
414	Rubber Cushion	2	9.45ST-414
415	Level Adjuster	2	9.45ST-415
416	Base Frame End Cap	2	9.45ST-416
417	Cushion	2	9.45ST-417
426	Shock	1	9.45ST-426
9.45ST-500	Complete Motor Components		
501	Motor Hood	1	9.45ST-501
502	Elevation Motor	1	9.45ST-502
503	Elevation Gear Sleeve	1	9.45ST-503
504	Driving Motor	1	9.45ST-504
505	Motor Holder	1	9.45ST-505
506	Driving Belt	1	9.45ST-506
507	Motor Control Board	1	9.45ST-507
508	Elevation Control Board	1	9.45ST-508

COMPLETE PARTS LIST

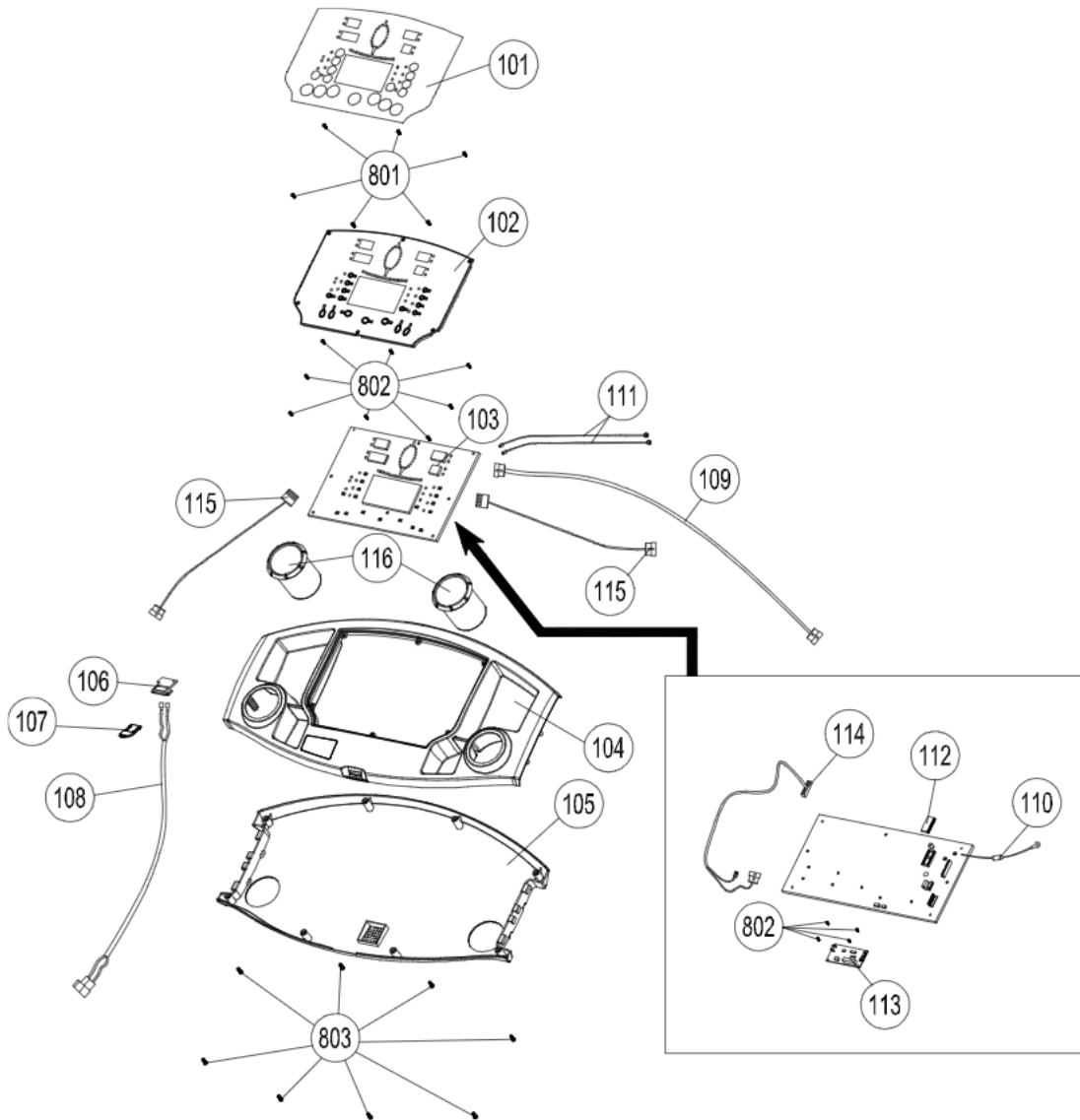
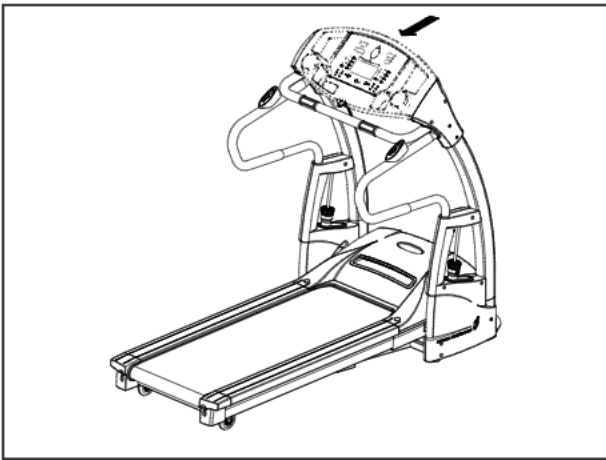
Item No.	Description	Qty.	Part No.
09	Elevation Support Tube	1	9.45ST-509
510	Elevation Support Tube Cover - LEFT	1	9.45ST-510
511	Motor Bottom Cover	1	9.45ST-511
512	Deck Frame Side Cover - LEFT	1	9.45ST-512
513	Plastic Clamp - TOP	2	9.45ST-513
514	Plastic Clamp - BOTTOM	2	9.45ST-514
515	Elevation Support	2	9.45ST-515
516	Deck Rubber Cushion	2	9.45ST-516
517	Rear Vent Cover	1	9.45ST-517
518	Elevation Support Tube Cover - RIGHT	1	9.45ST-518
519	Deck Frame Side Cover – RIGHT	1	9.45ST-519
9.45ST-600	Complete Running Deck Components		
601	Running Belt	1	9.45ST-601
602	Side Rail	2	9.45ST-602
603	Running Deck	1	9.45ST-603
604	Side Rail End Cap - LEFT	1	9.45ST-604
605	Side Rail End Cap - RIGHT	1	9.45ST-605
9.45ST-700	Complete Deck Frame Components		
701	Deck Frame	1	9.45ST-701
702	Front Roller Shaft	1	9.45ST-702
703	Front Roller Tube	1	9.45ST-703
704	Roller Bearing 6202	4	9.45ST-704
705	Rear Roller Shaft	1	9.45ST-705
706	Rear Roller Tube	1	9.45ST-706
707	Running Deck Support Tube	1	9.45ST-707
708	Deck Frame – Rear	1	9.45ST-708
709	Steady Frame	1	9.45ST-709
413	Rear Caster	2	9.45ST-413
9.45ST-800	Complete Hardware Pack		
801	# 6 × 12mm Screws	10	9.45ST-801
802	M4 × 6mm Screws	12	9.45ST-802
803	M8 × 12mm Screws	8	9.45ST-803

COMPLETE PARTS LIST

Item No.	Description	Qty.	Part No.
804	M8 × 15mm Bolt	3	9.45ST-804
805	M8 × 50mm Bolt	12	9.45ST-805
806	# 8 × 20mm Screw	20	9.45ST-806
807	4 × 15mm Thread Cutting Screw	19	9.45ST-807
808	M5 × 10mm Screws	2	9.45ST-808
809	M8 × 16 Screws	20	9.45ST-809
813	Washer	4	9.45ST-813
814	Nylon Nut	6	9.45ST-814
816	M14 × 90 Screws	3	9.45ST-816
817	Bearing	4	9.45ST-817
818	M10 × 35mm Screws	10	9.45ST-818
819	M8 × 10mm Screws	7	9.45ST-819
820	M8 × 50mm Screws	2	9.45ST-820
821	M10 × 63mm Bolts	1	9.45ST-821
822	Fixed Block	8	9.45ST-822
823	M8 × 120mm Bolts	1	9.45ST-823
824	Plate Washer	2	9.45ST-824
825	Spring	1	9.45ST-825
826	M8 Nylon Nut	2	9.45ST-826
827	M8 × 20mm Screws	6	9.45ST-827
828	Spring Washer	12	9.45ST-828
829	Washer	2	9.45ST-829
830	M10 × 136mm Screws	1	9.45ST-830
832	M8 × 25mm Screws	8	9.45ST-832
833	Hexagon Nut	10	9.45ST-833
834	M6 × 70mm Bolts	3	9.45ST-834
838	M10 × 43mm Bolts	2	9.45ST-838
839	Cushion Pad	10	9.45ST-839
840	M10 × 40mm Screws	1	9.45ST-840
841	M6 × 10mm Screws	2	9.45ST-841
842	M10 × 30mm Allen Head Bolt	2	9.45ST-842
843	M8 × 15mm Allen Head Bolt	4	9.45ST-843
845	13 × 42mm Shaft	2	9.45ST-845
846	#8 × 23mm Washer	2	9.45ST-846

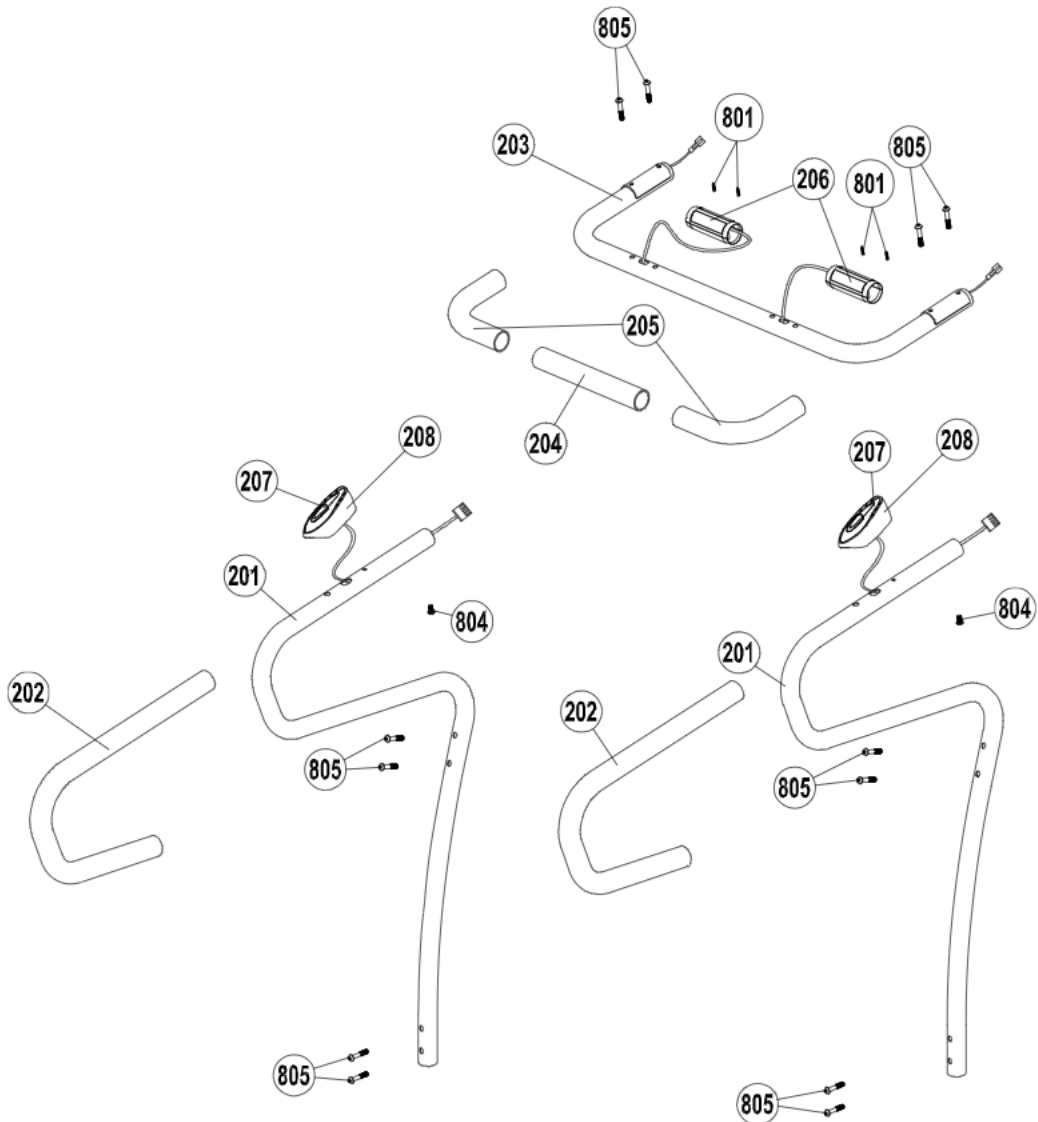
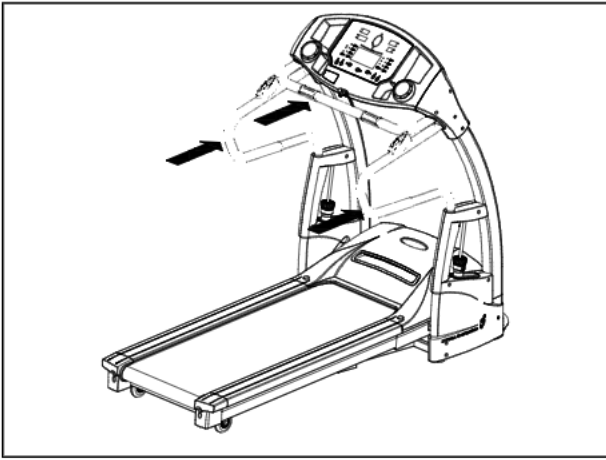
PARTS DIAGRAM

MOST OF THE PARTS SHOWN HERE HAVE BEEN PRE-ASSEMBLED



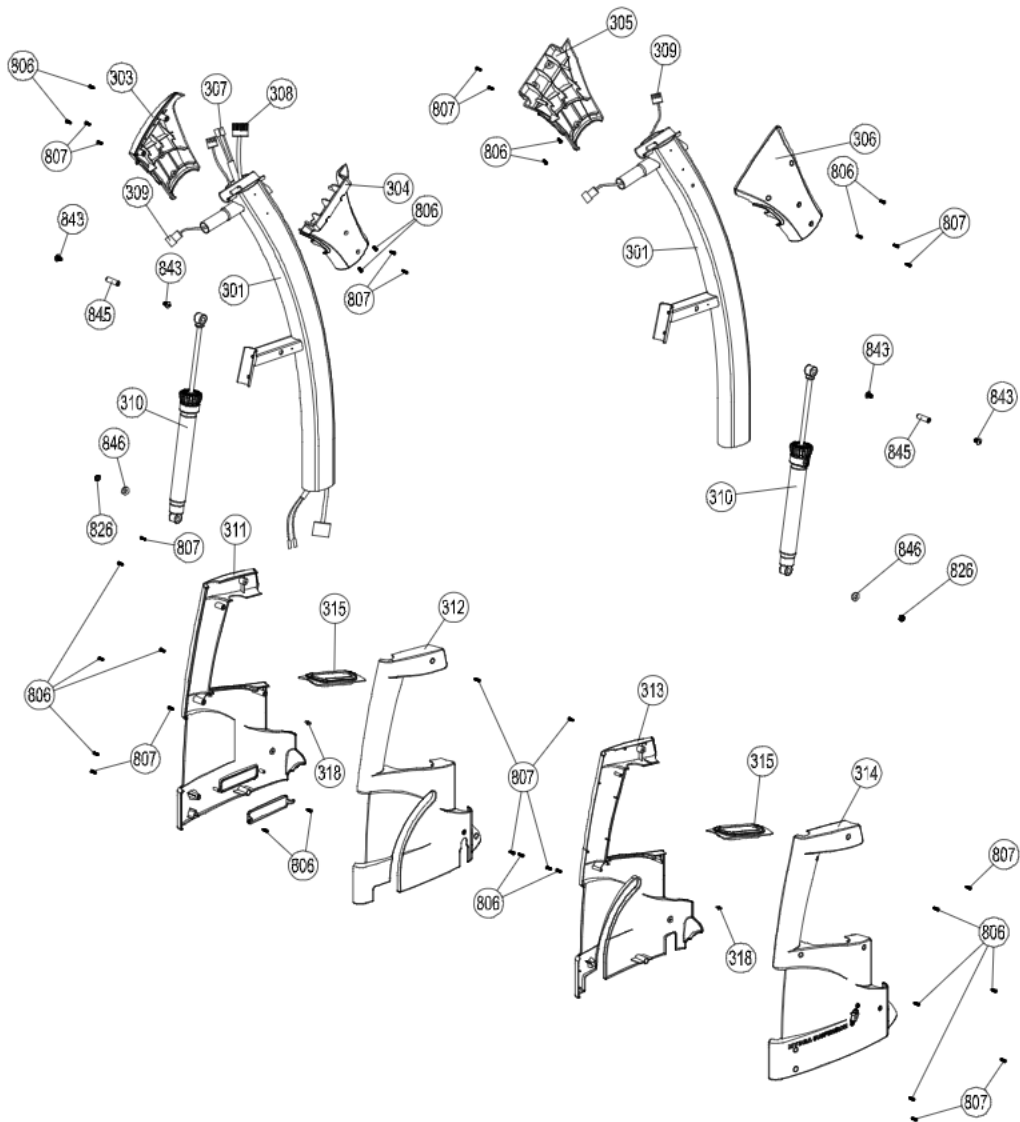
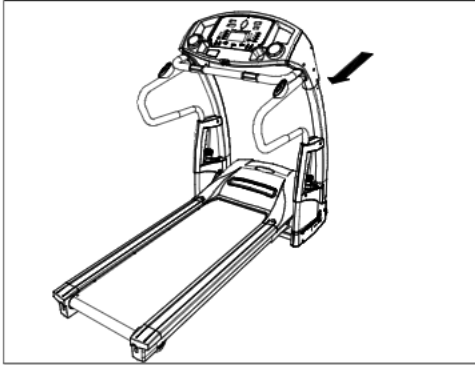
PARTS DIAGRAM

MOST OF THE PARTS SHOWN HERE HAVE BEEN PRE-ASSEMBLED.



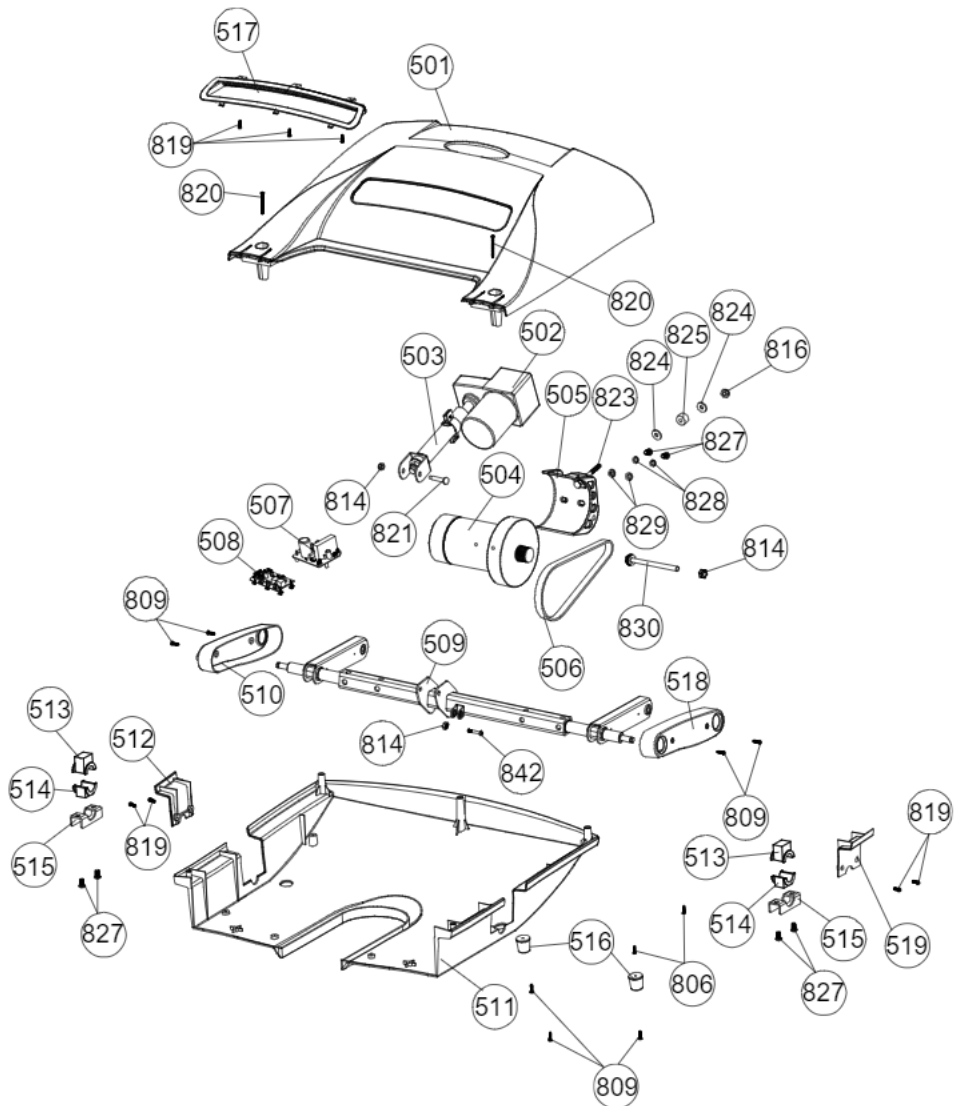
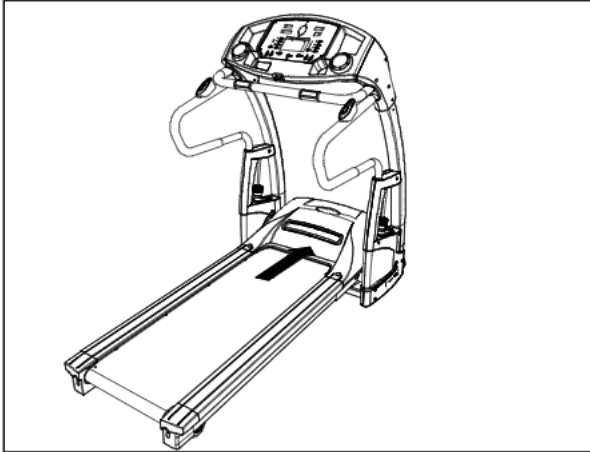
PARTS DIAGRAM

A MAJORITY OF THE PARTS SHOWN HERE HAVE BEEN PREASSEMBLED AT THE FACTORY.



PARTS DIAGRAM

MOST OF THE PARTS SHOWN HERE HAVE BEEN PRE-ASSEMBLED.



PARTS DIAGRAM

MOST OF THE PARTS SHOWN HERE HAVE BEEN PRE-ASSEMBLED.

