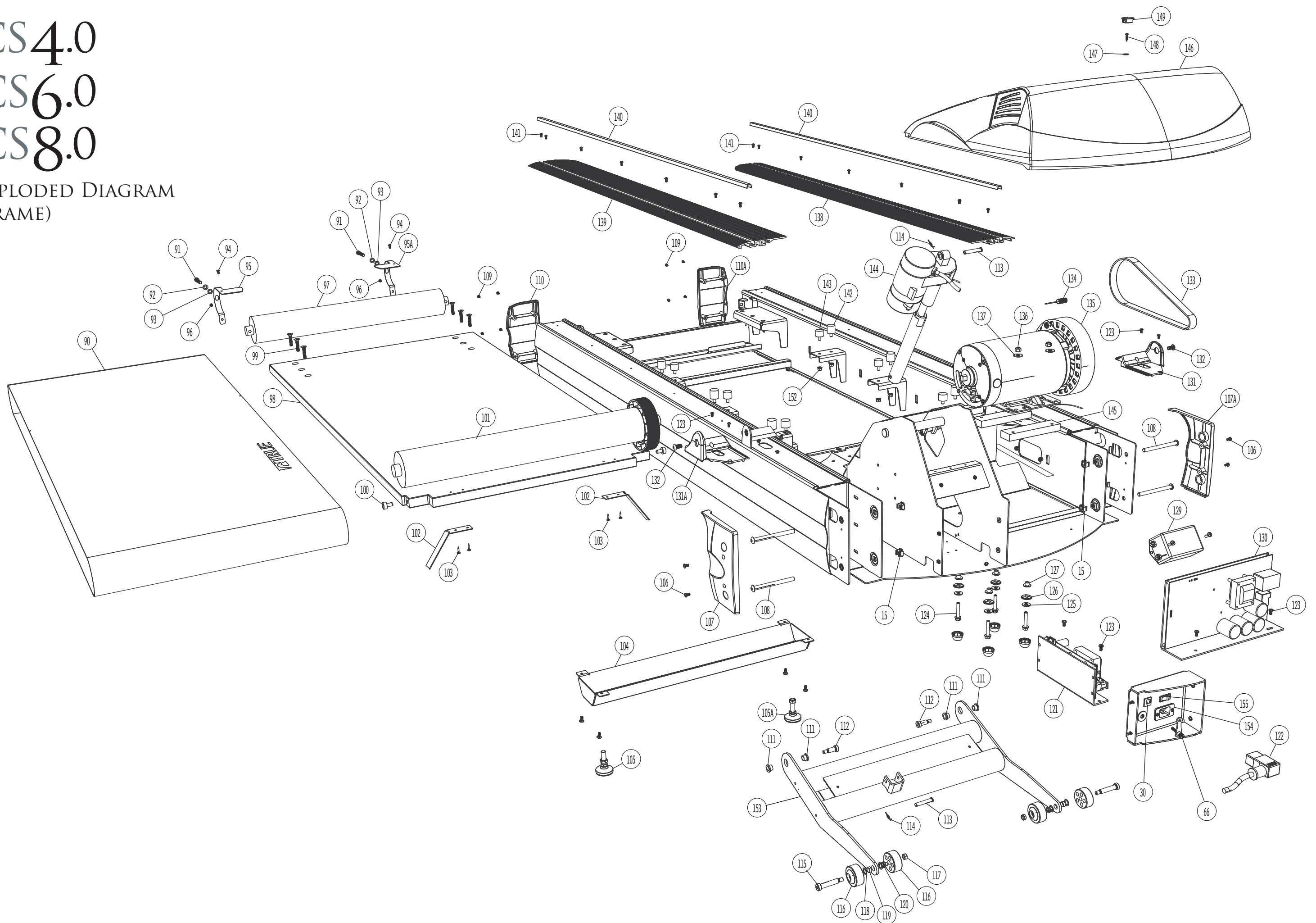


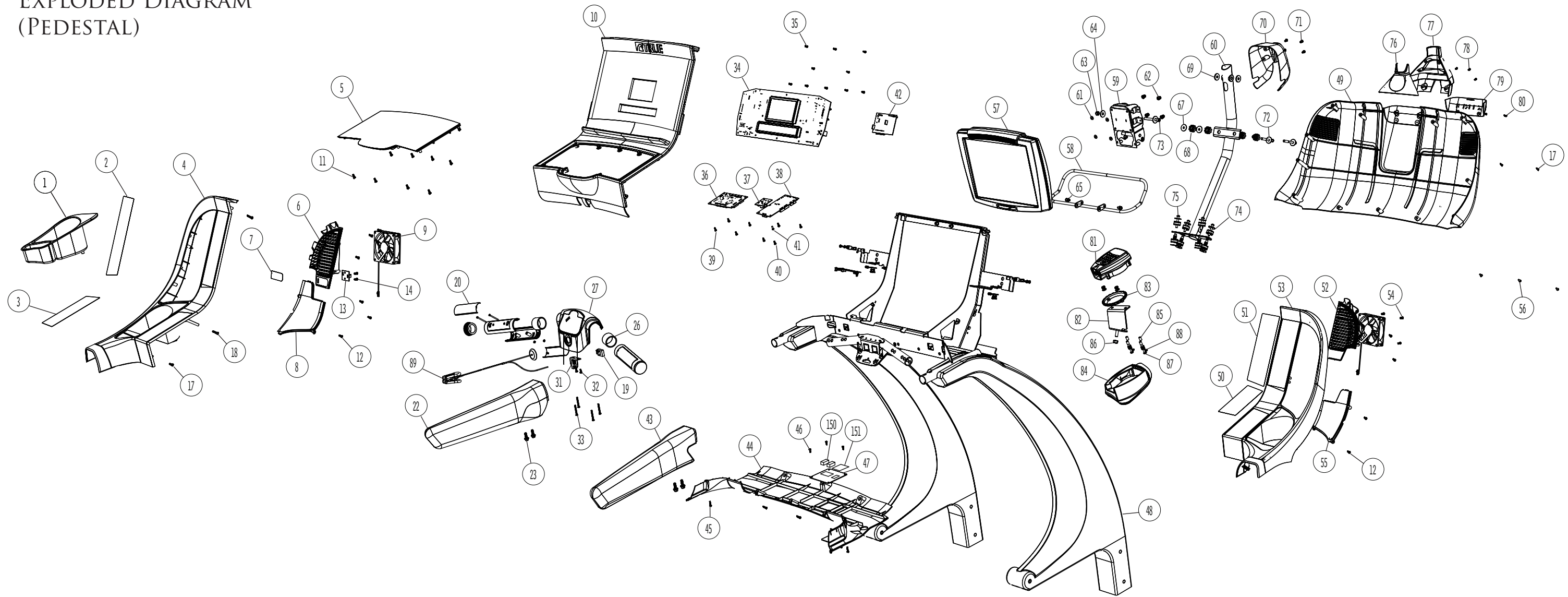
# CS4.0 CS6.0 CS8.0

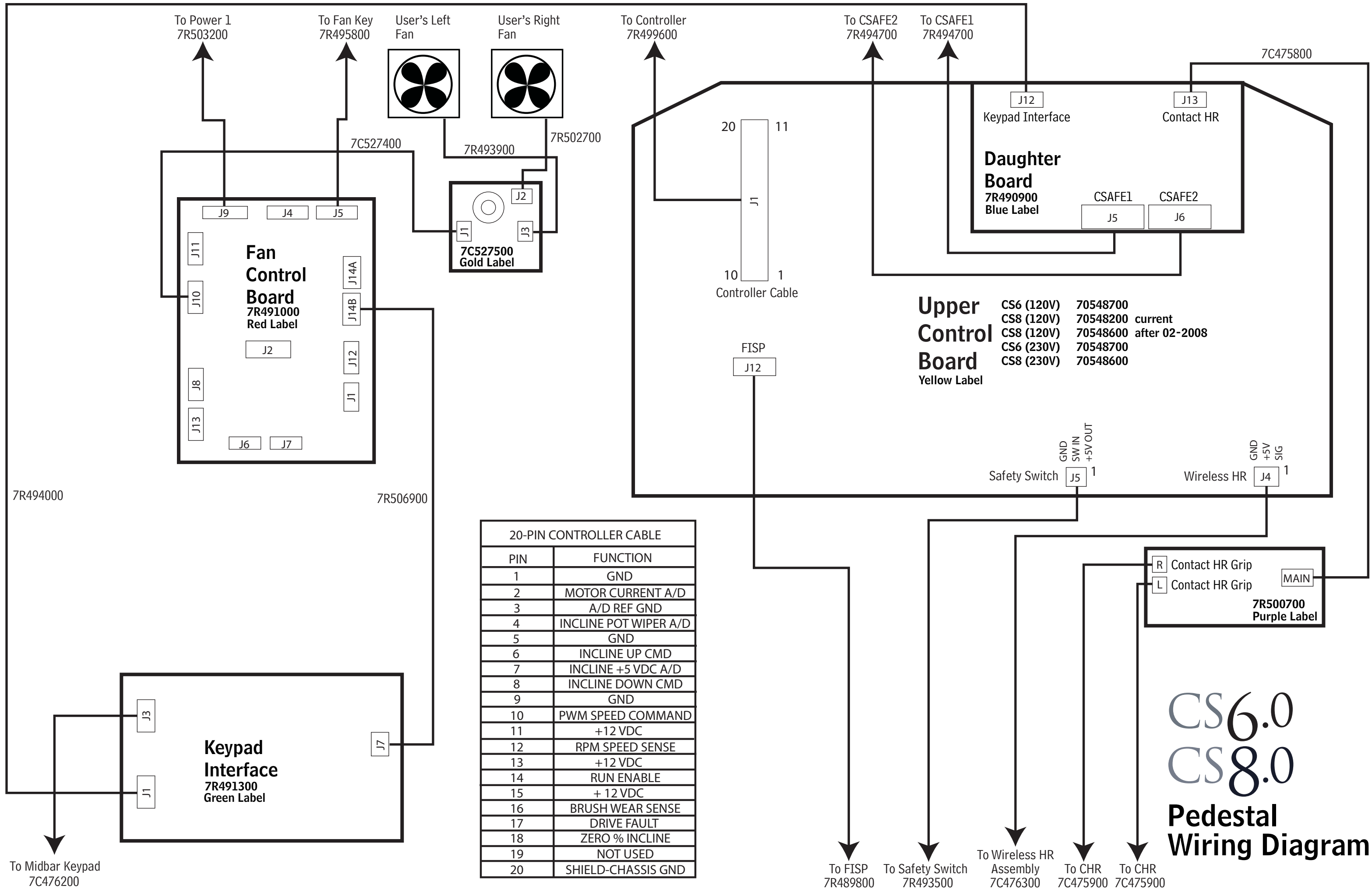
## EXPLODED DIAGRAM (FRAME)



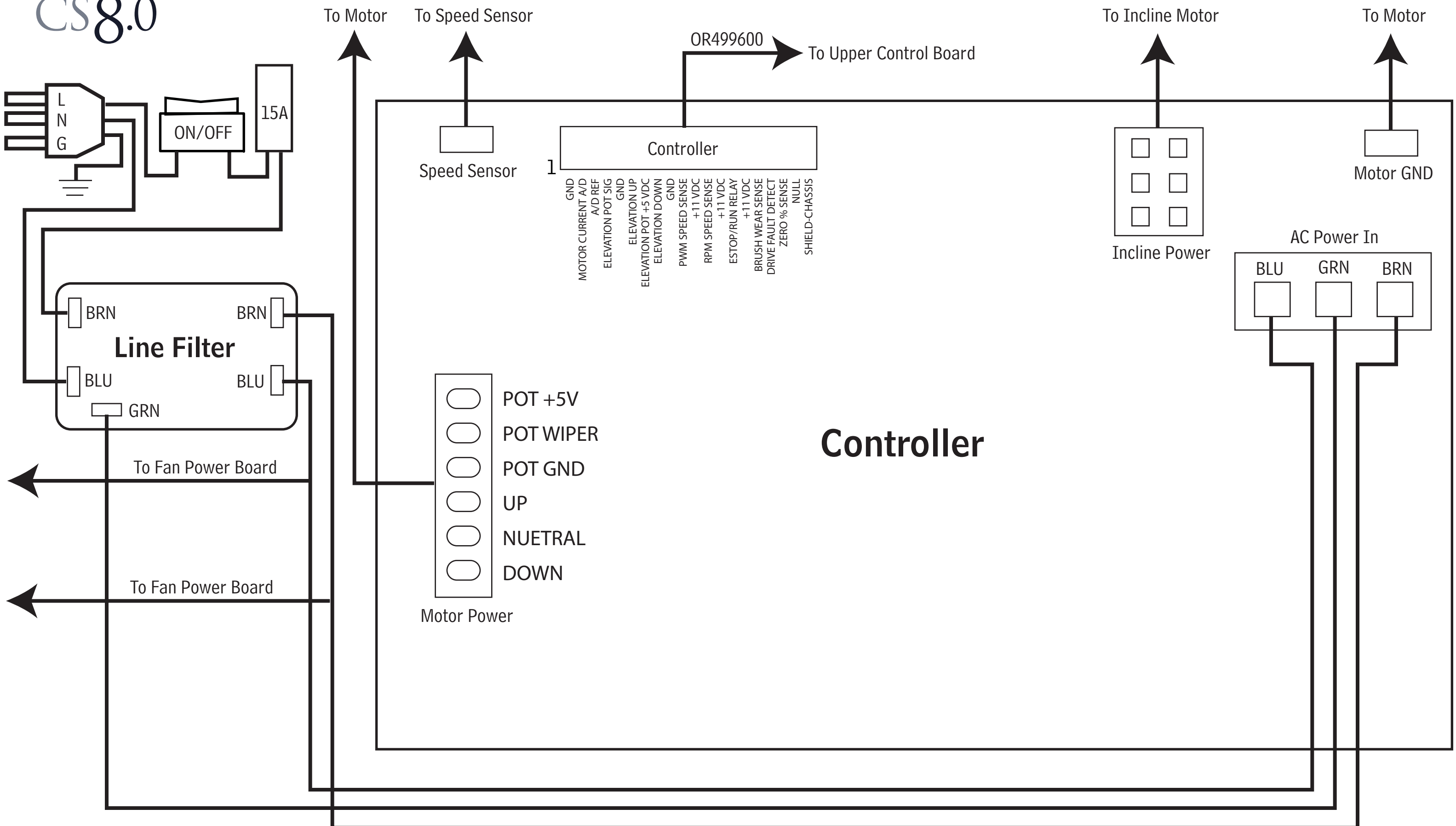
# CS4.0 CS6.0 CS8.0

## EXPLODED DIAGRAM (PEDESTAL)





CS6.0 Motor Pan  
Wiring Diagram  
CS8.0



**Controller**

- GND
- MOTOR CURRENT A/D
- A/D REF
- ELEVATION POT SIG
- GND
- ELEVATION UP
- ELEVATION POT +5VDC
- ELEVATION DOWN
- GND
- PWM SPEED SENSE
- +11 VDC
- RPM SPEED SENSE
- +11 VDC
- ESTOP/RUN RELAY
- +11 VDC
- BRUSH WEAR SENSE
- DRIVE FAULT DETECT
- ZERO % SENSE
- NULL
- SHIELD-CHASSIS

- POT +5V
  - POT WIPER
  - POT GND
  - UP
  - NUETRAL
  - DOWN
- Motor Power

- AC Power In
- BLU
  - GRN
  - BRN