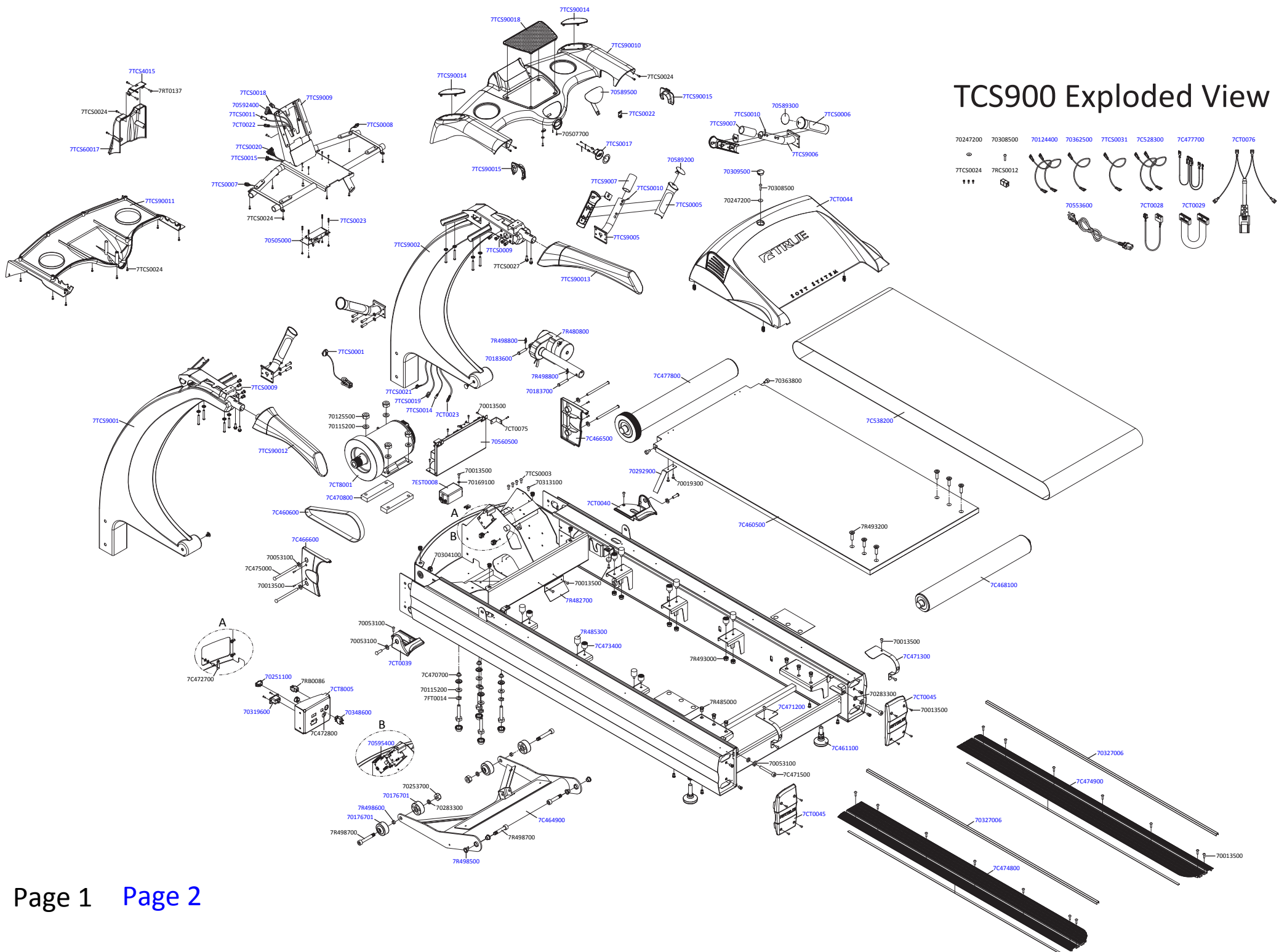
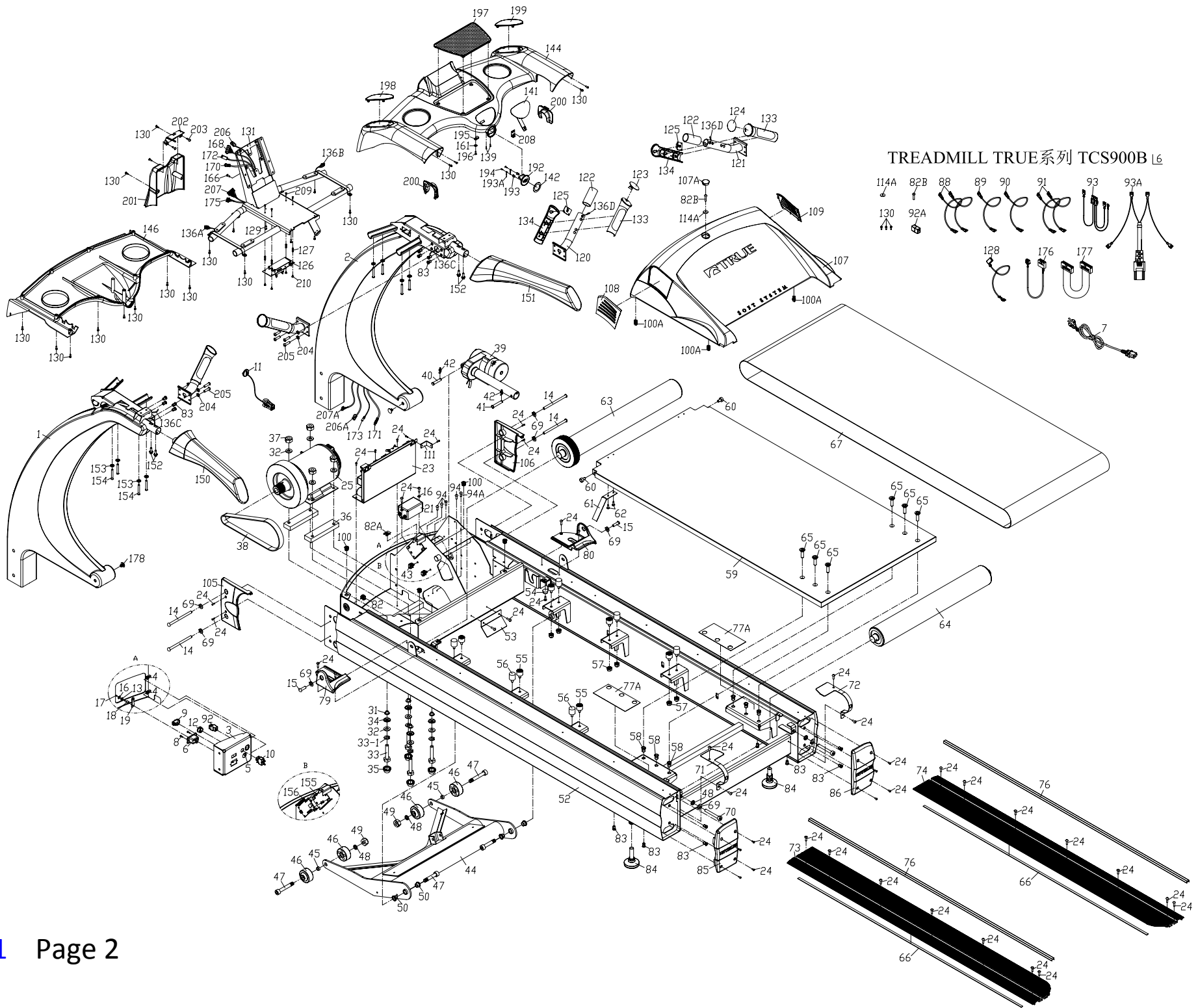


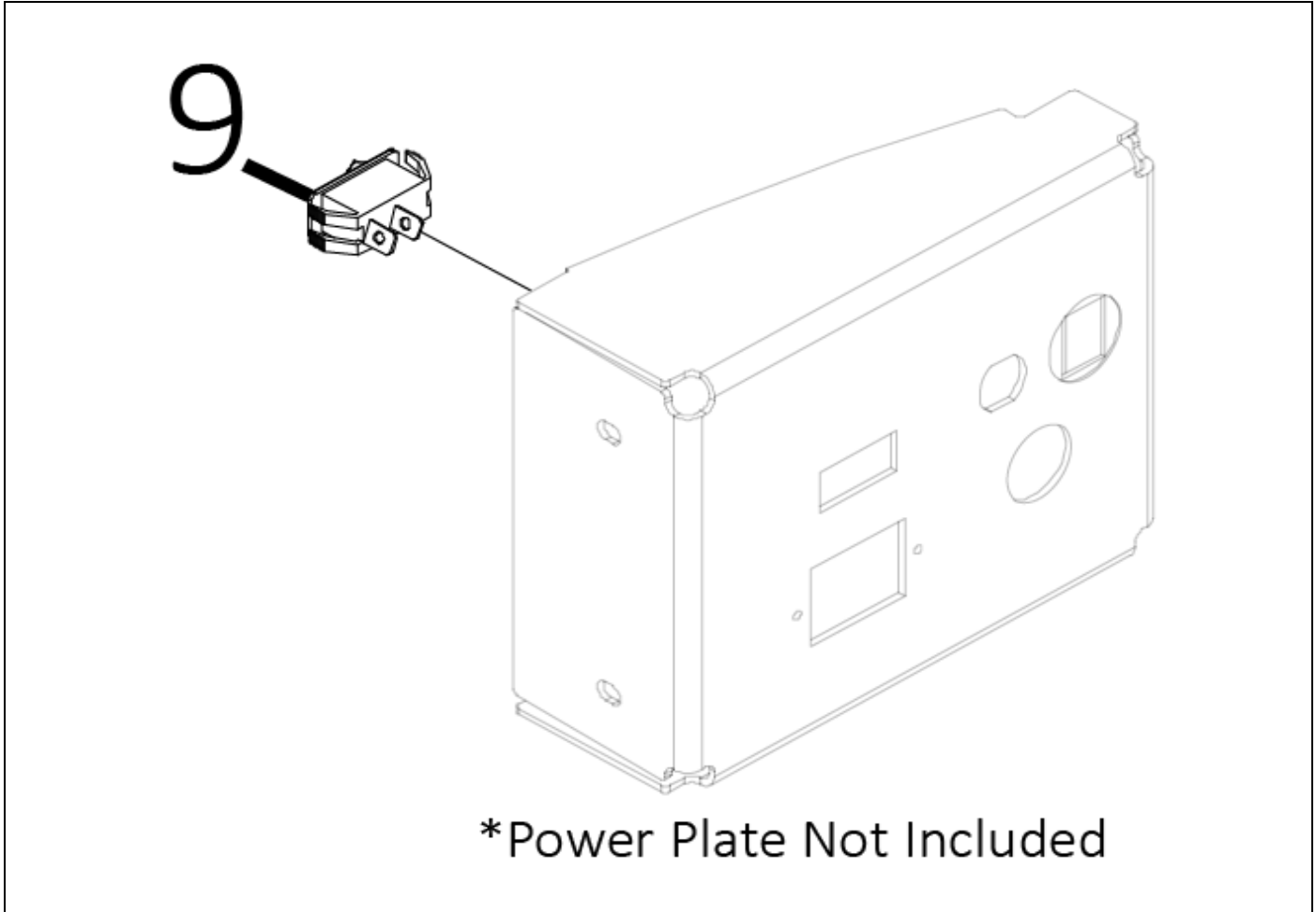
TCS900 Exploded View







TRUE FITNESS[®]
TRUE PART No: 70251100
Vendor PART No: XEA-A014
Rocker I/O Switch

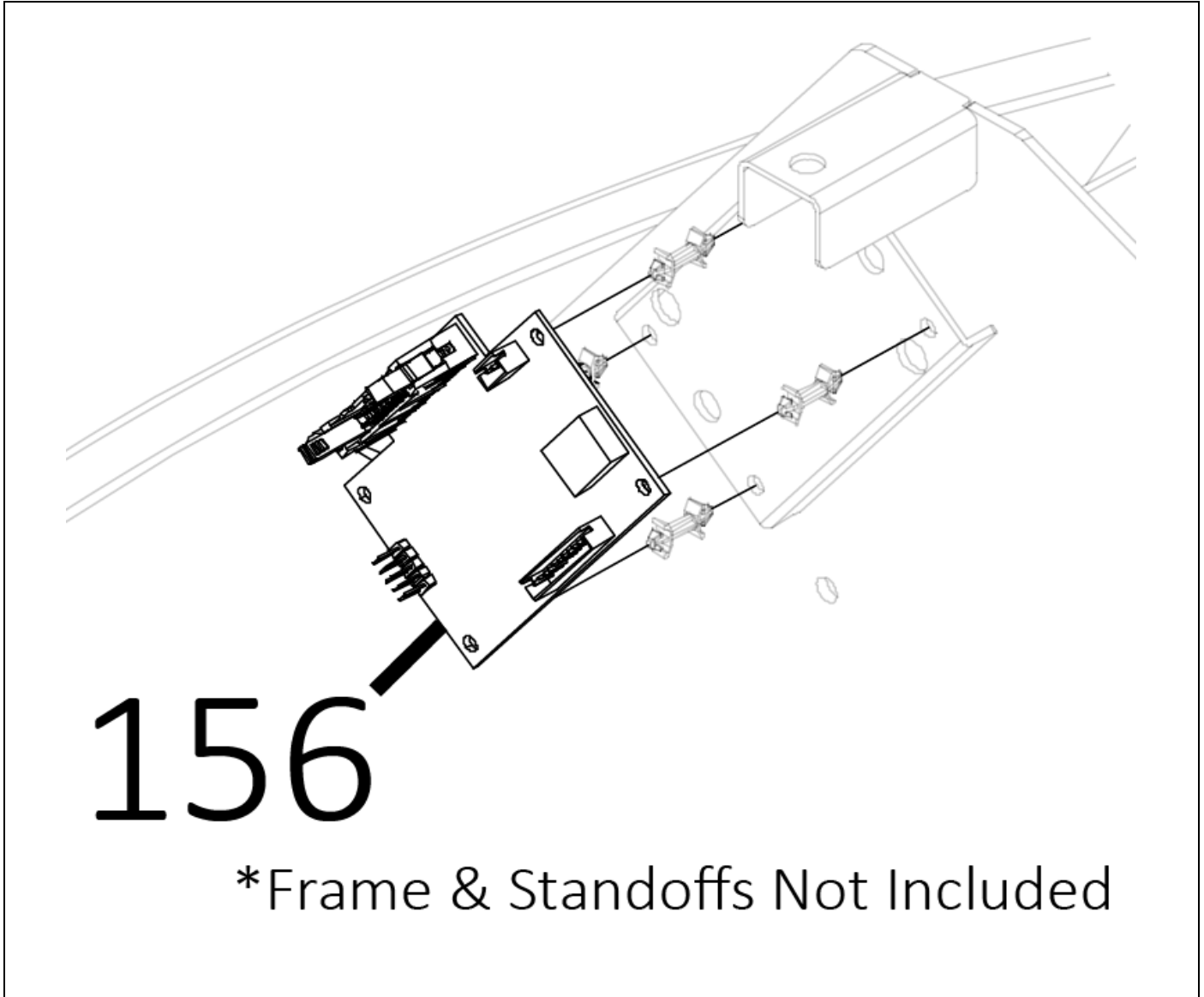


Bill of Material:

Key No:	Vendor Part No.	TRUE Part Number (if applicable)	Description:	Units:	Quantity:
9	XEA-A014	70251100	Rocker I/O Switch		1



TRUE FITNESS[®]
TRUE PART No: 70595400
Vendor PART No: **XRB-028-021B**
Smart Board

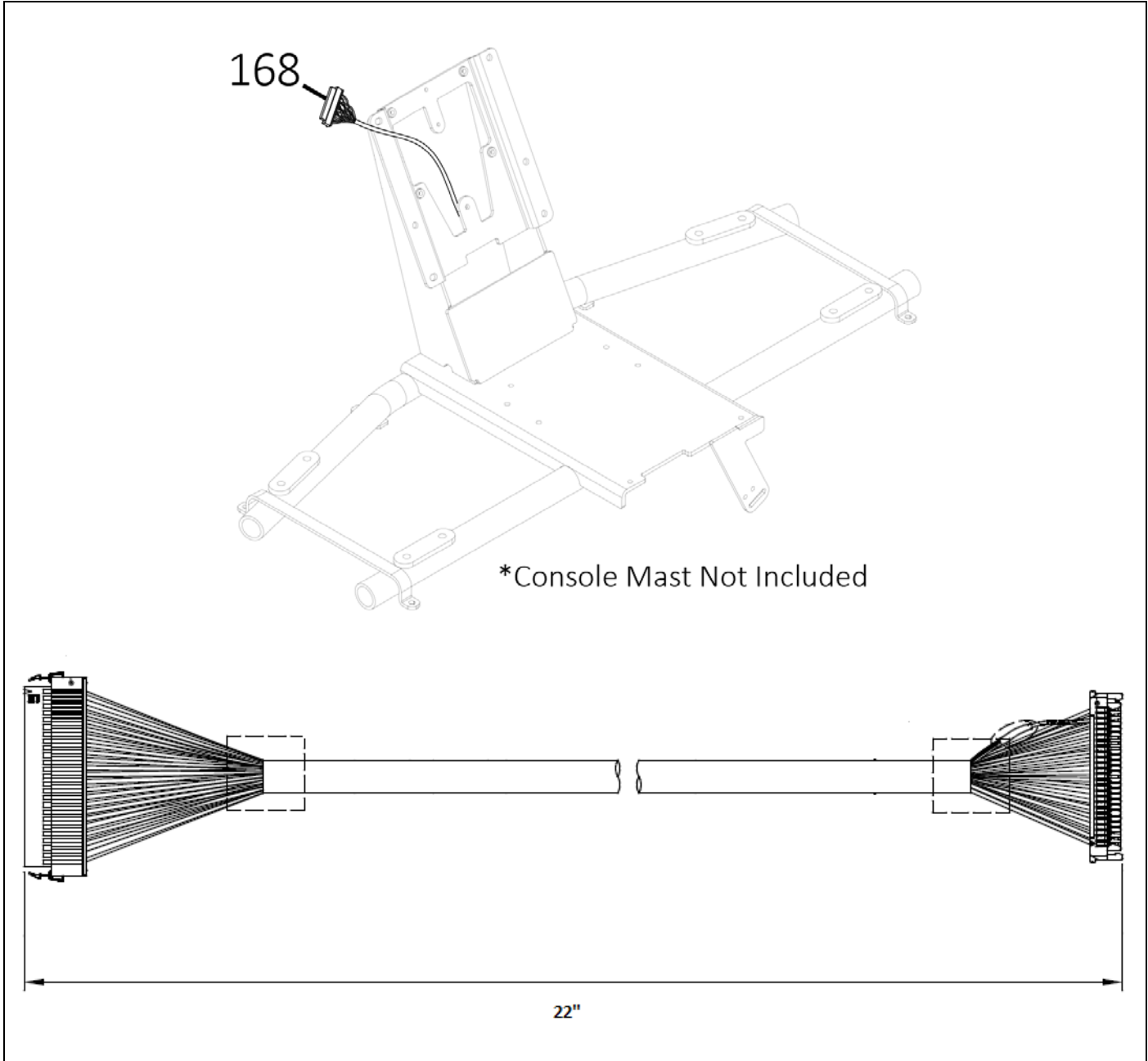


Bill of Material:

Key No:	Vendor Part No.	TRUE Part Number (if applicable)	Description:	Units:	Quantity:
156	XRB-028-021B	70595400	Smart Board IBP2T		1



TRUE FITNESS[®]
TRUE PART No: 70592400
Vendor PART No: XL-1542
50 Pin Data Cable



Bill of Material:

Key No:	Vendor Part No.	TRUE Part Number (if applicable)	Description:	Units:	Quantity:
168	XL-1542	70592400	50 Pin Data Cable		1

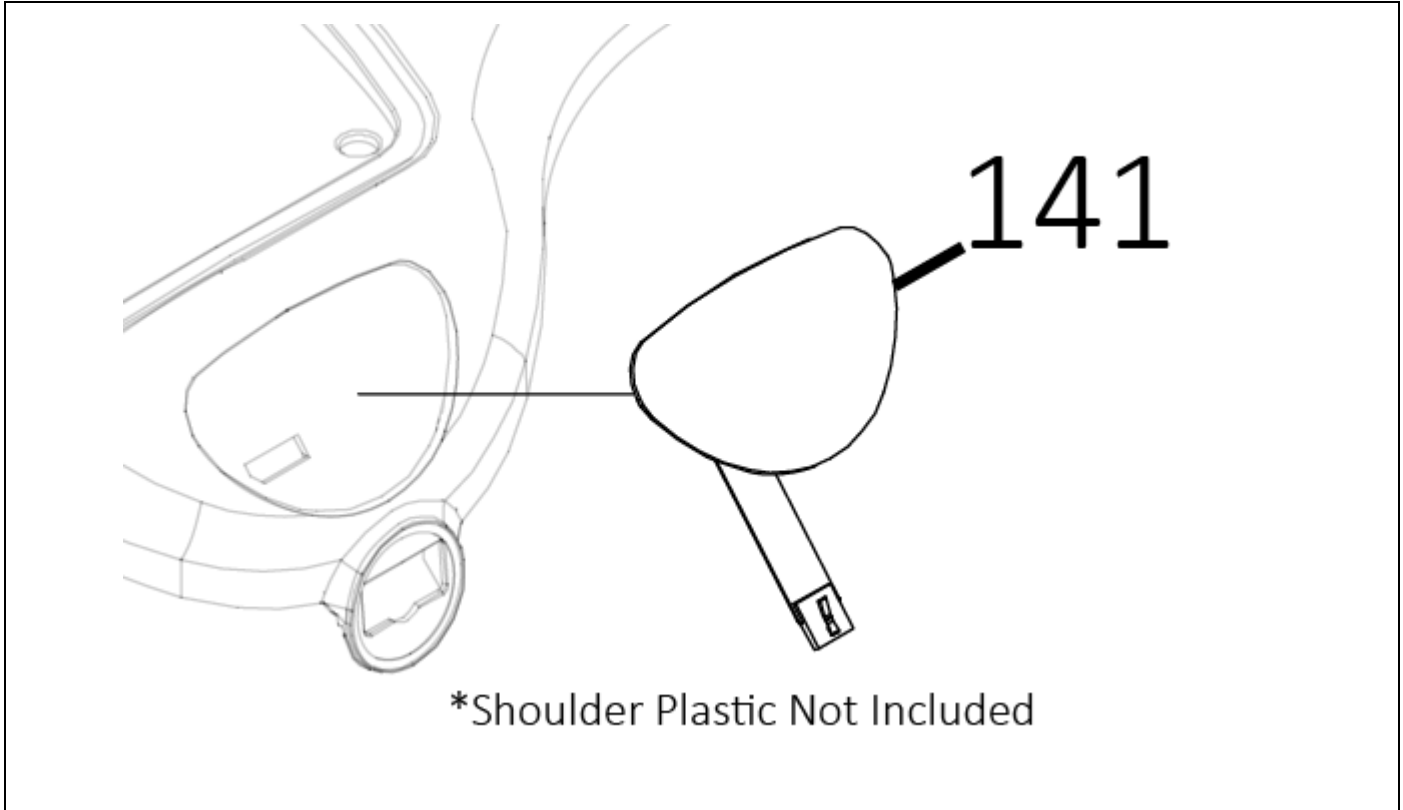


TRUE FITNESS[®]

TRUE PART No: 70589500

Vendor PART No: RD-03-0009

Start/Stop Overlay, Click Touch



Bill of Material:

Key No:	Vendor Part No.	TRUE Part Number (if applicable)	Description:	Units:	Quantity:
141	RD-03-0009	70589500	Center Pod, Click Touch		1

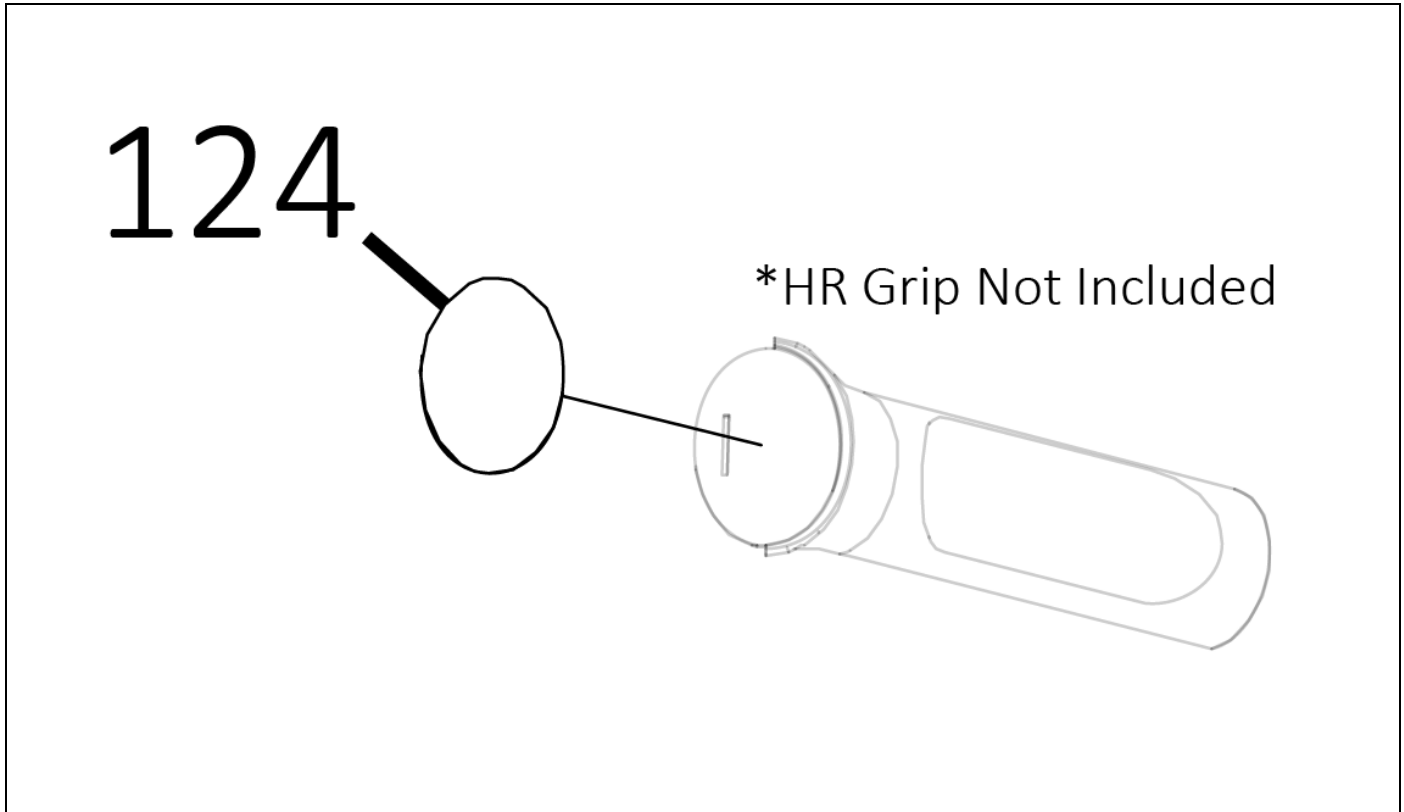


TRUE FITNESS[®]

TRUE PART No: 70589300

Vendor PART No: RD-02-0006

Click Touch Thumbswitch, Speed (R)



Bill of Material:

Key No:	Vendor Part No.	TRUE Part Number (if applicable)	Description:	Units:	Quantity:
124	RD-02-0006	70589300	Click Touch Thumbswitch, Speed (R)		1



TRUE FITNESS[®]

TRUE PART No: 70589200

Vendor PART No: RD-02-0005

Click Touch Thumbswitch, Incline (L)



Bill of Material:

Key No:	Vendor Part No.	TRUE Part Number (if applicable)	Description:	Units:	Quantity:
123	RD-02-0005	70589200	Click Touch Thumbswitch, Incline (L)		1

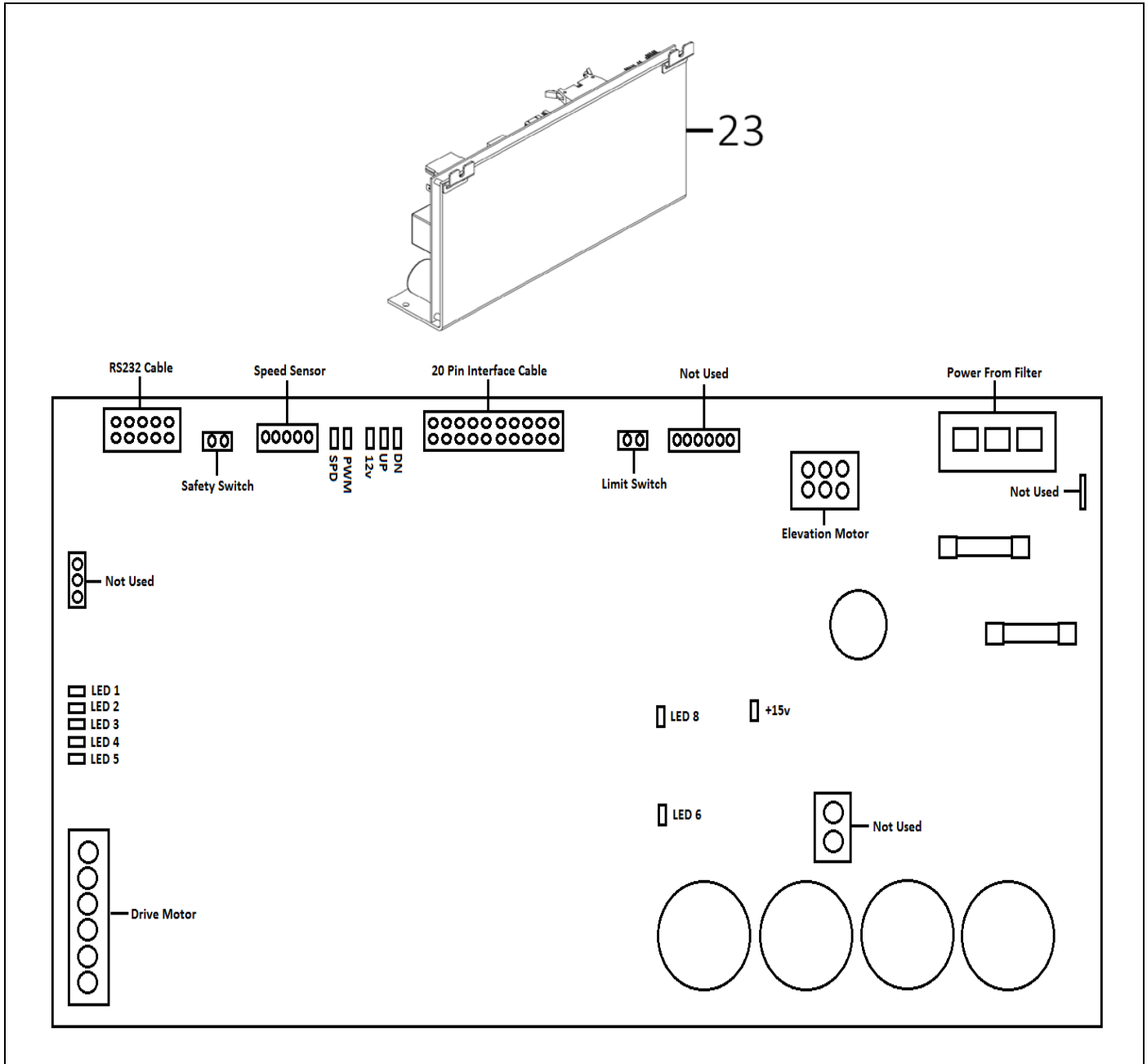


TRUE FITNESS[®]

TRUE PART No: 70560500

Vendor PART No: XRB-028-022

Motor Controller

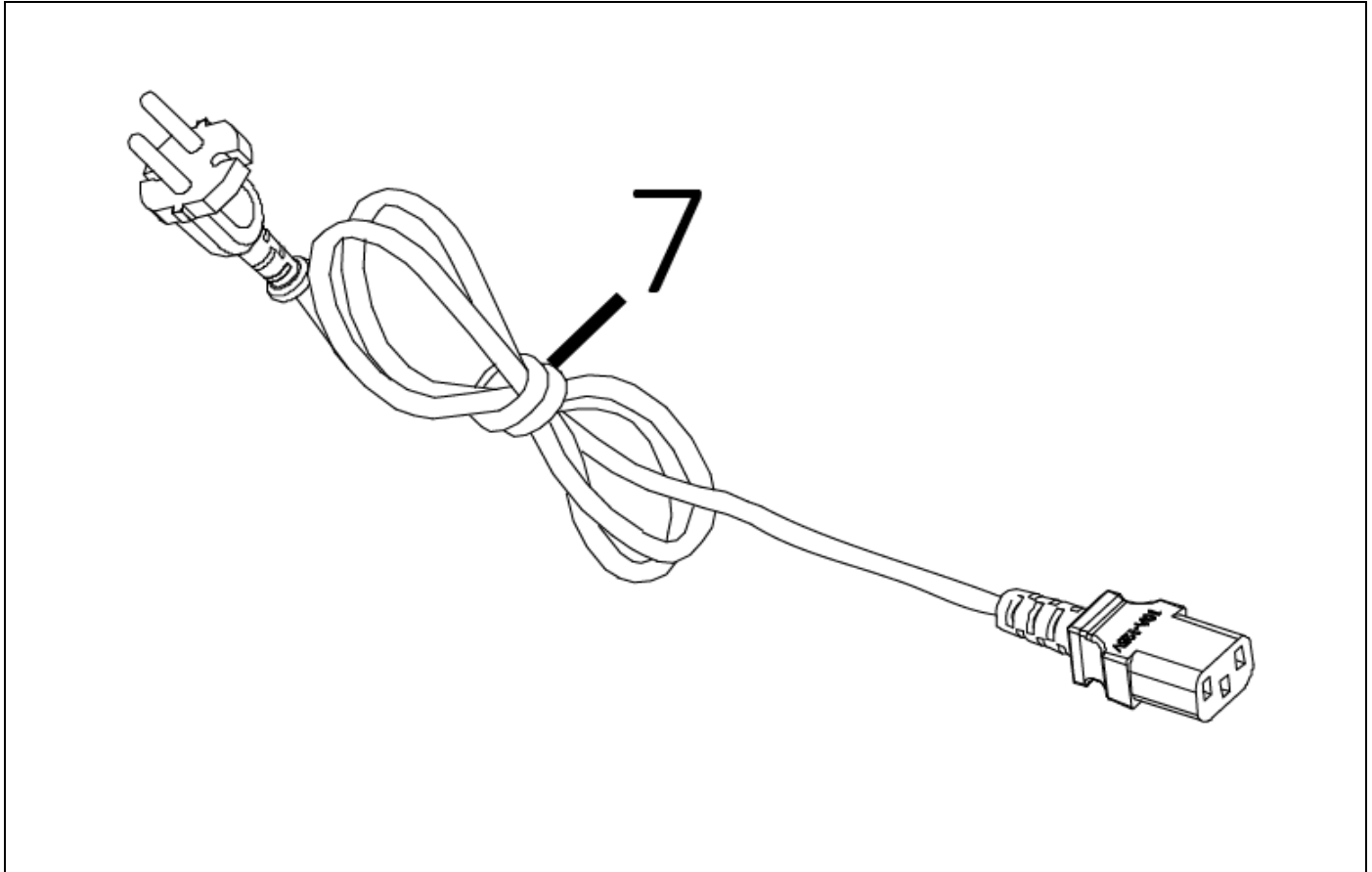


Bill of Material:

Key No:	Vendor Part No.	TRUE Part Number (if applicable)	Description:	Units:	Quantity:
23	XRB-028-022	70560500	Motor Controller, ACMC 120V ACK7T		1



TRUE FITNESS[®]
TRUE PART No: 70553600
Vendor PART No: XLZ-TM
9' Power Cord



Bill of Material:

Key No:	Vendor Part No.	TRUE Part Number (if applicable)	Description:	Units:	Quantity:
7	XLZ-TM	70553600	9' Power Cord		1

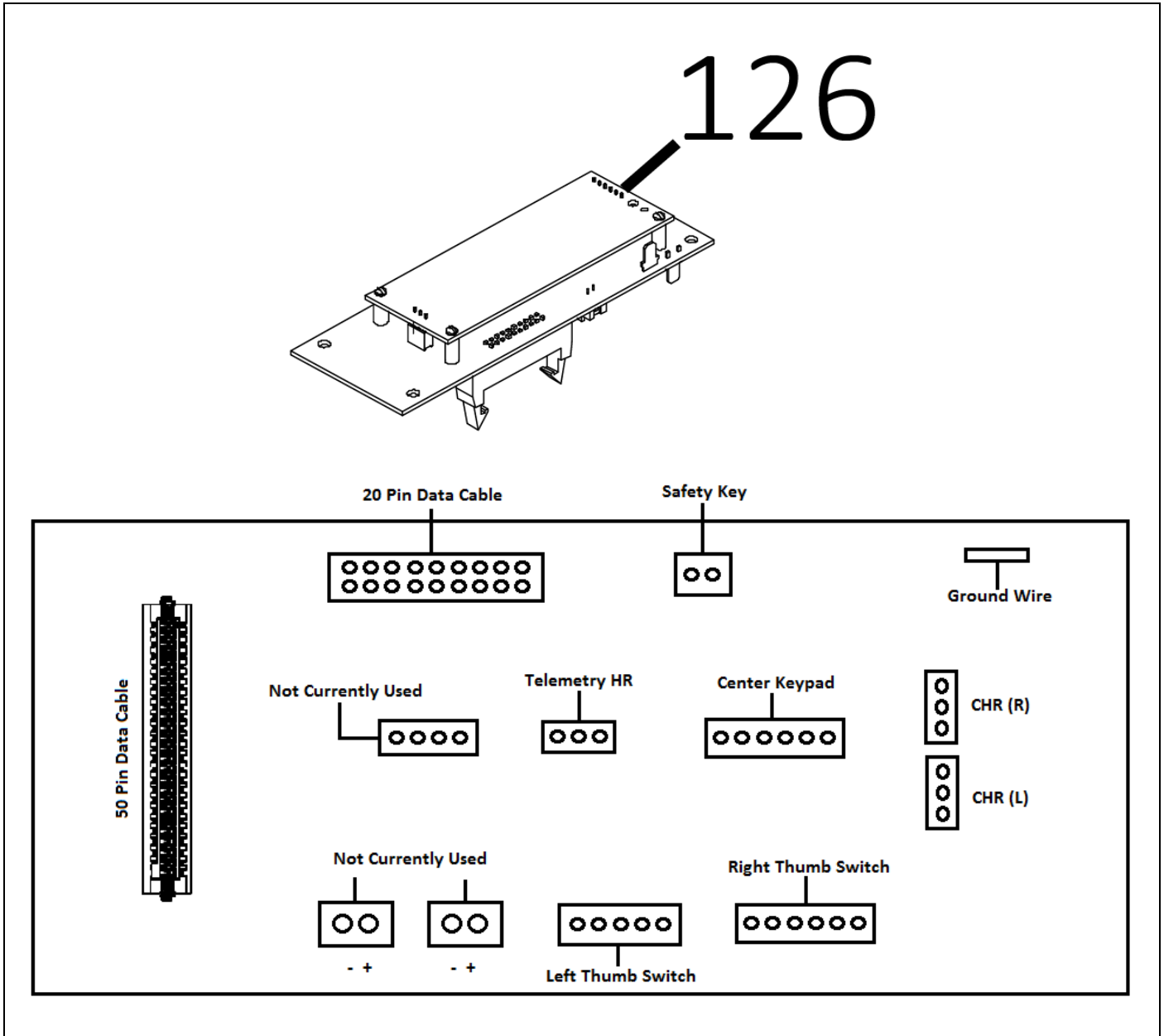


TRUE FITNESS[®]

TRUE PART No: 70505000

Vendor PART No: XEK-286

Breakout Board



Bill of Material:

Key No:	Vendor Part No.	TRUE Part Number (if applicable)	Description:	Units:	Quantity:
126	XEK-286	70505000	Breakout Board		1

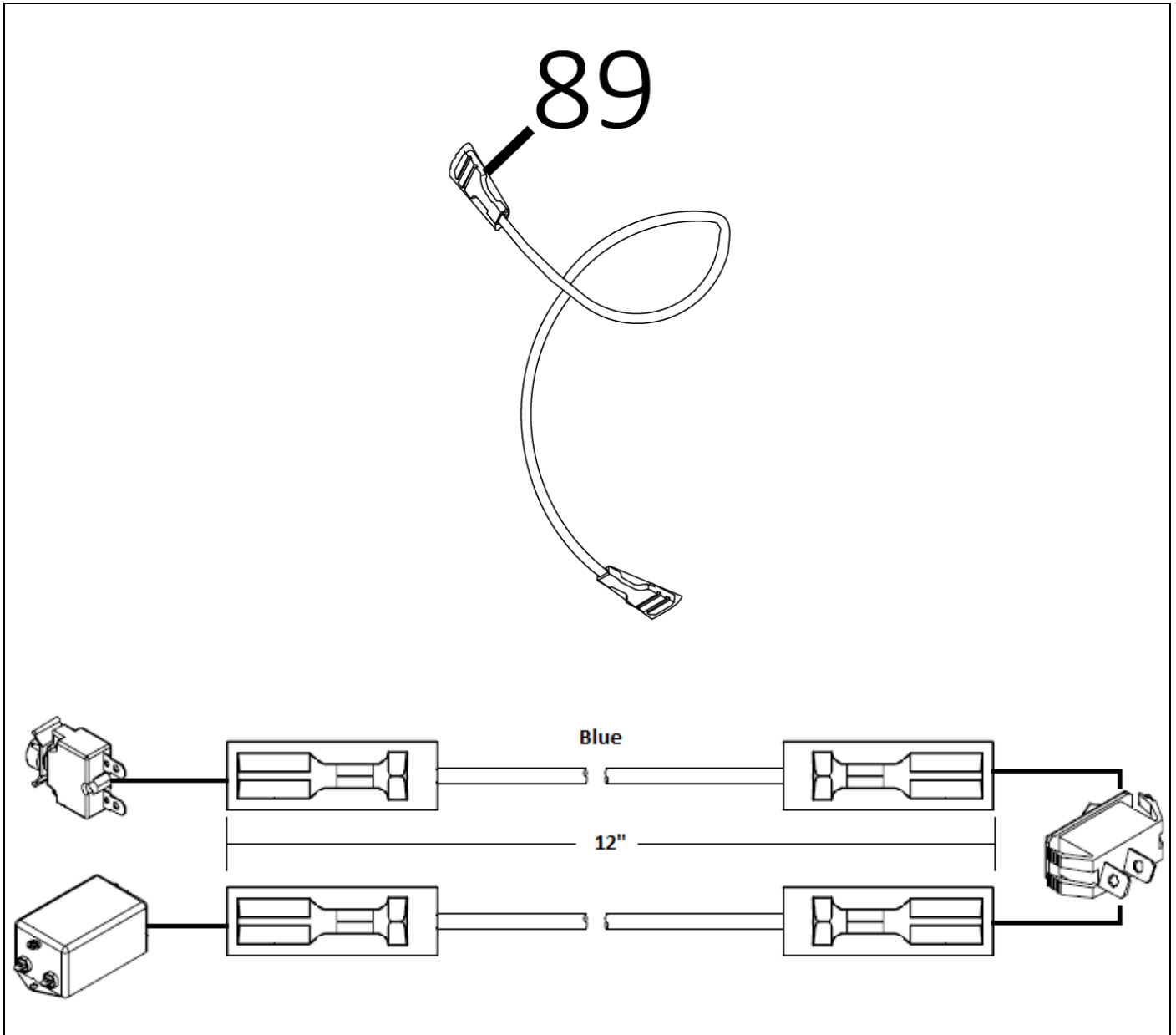


TRUE FITNESS[®]

TRUE PART No: 70362500

Vendor PART No: **XLT059**

Circuit Breaker/Switch to Filter Wire Assy



Bill of Material:

Key No:	Vendor Part No.	TRUE Part Number (if applicable)	Description:	Units:	Quantity:
89	XLT059	70362500	Wire Assy, Crkt Brkr/Switch to Filter EX		1

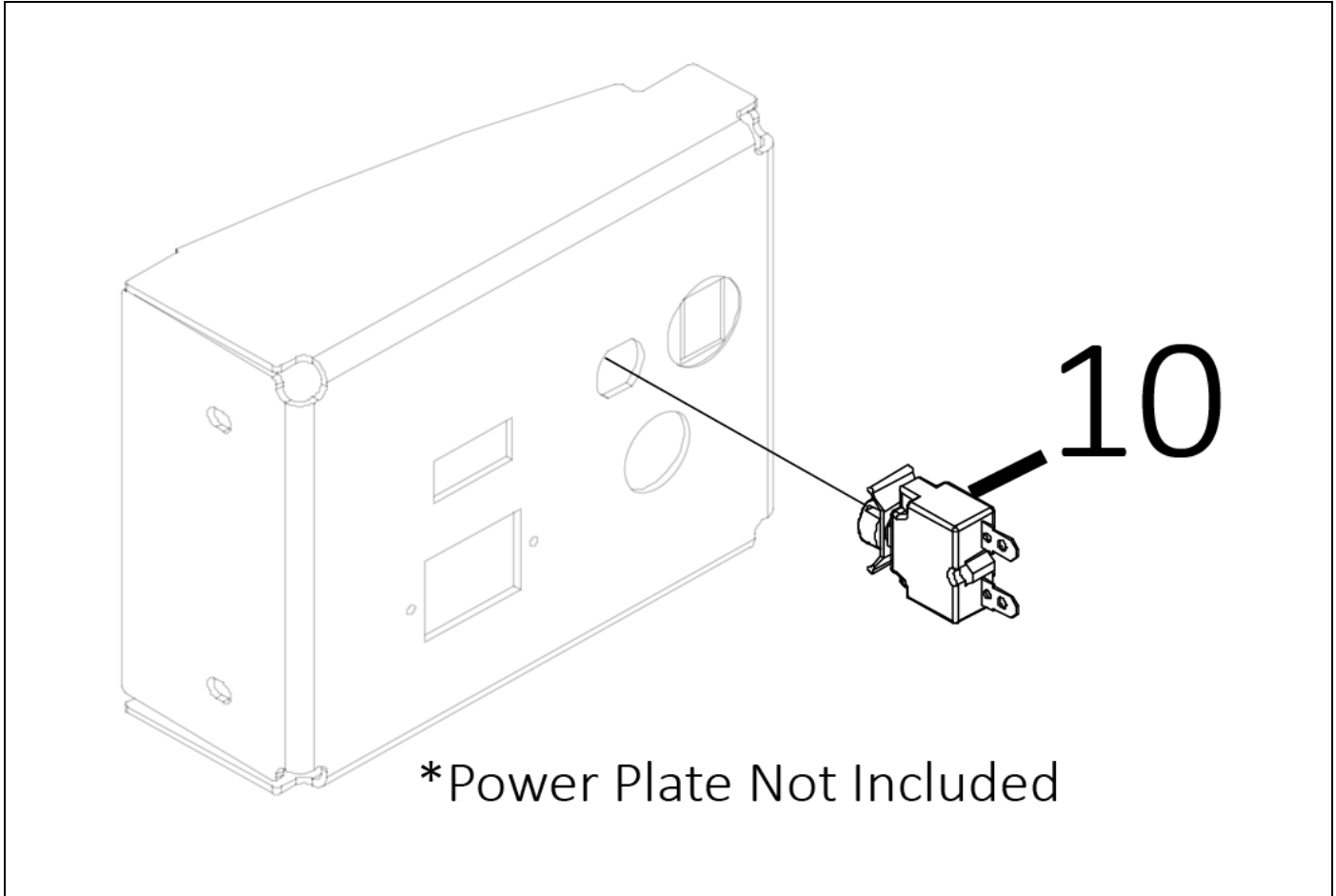


TRUE FITNESS[®]

TRUE PART No: 70348600

Vendor PART No: XEG-20-003

Switch/Circuit Breaker 20 Amp

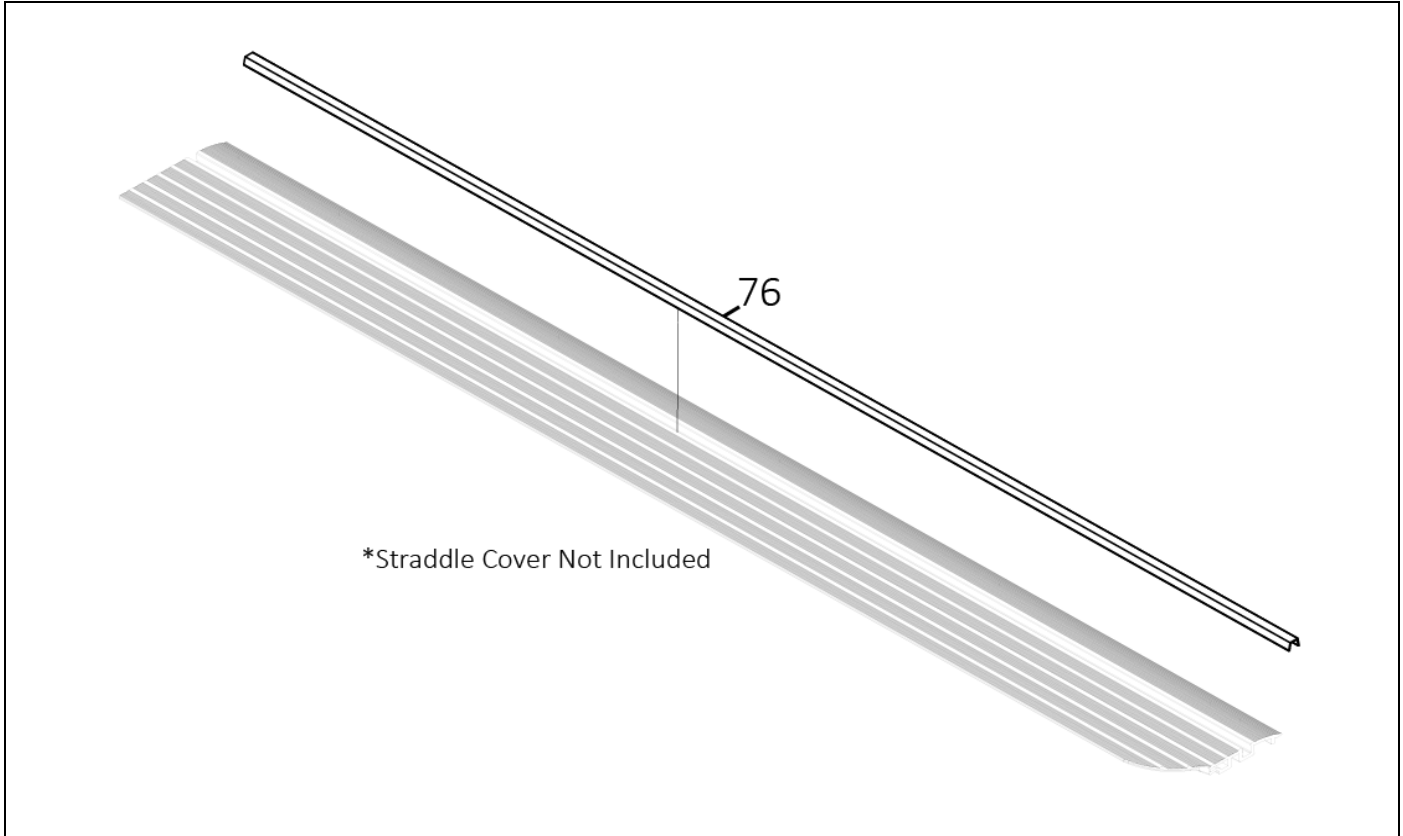


Bill of Material:

Key No:	Vendor Part No.	TRUE Part Number (if applicable)	Description:	Units:	Quantity:
10	XEG-20-003	70348600	Switch/Brkr, 20 Amp (P&B #W28-XQ1A-20)	PC	1



TRUE FITNESS[®]
TRUE PART No: 70327006
Vendor PART No: P-2509
Straddle Cover Insert

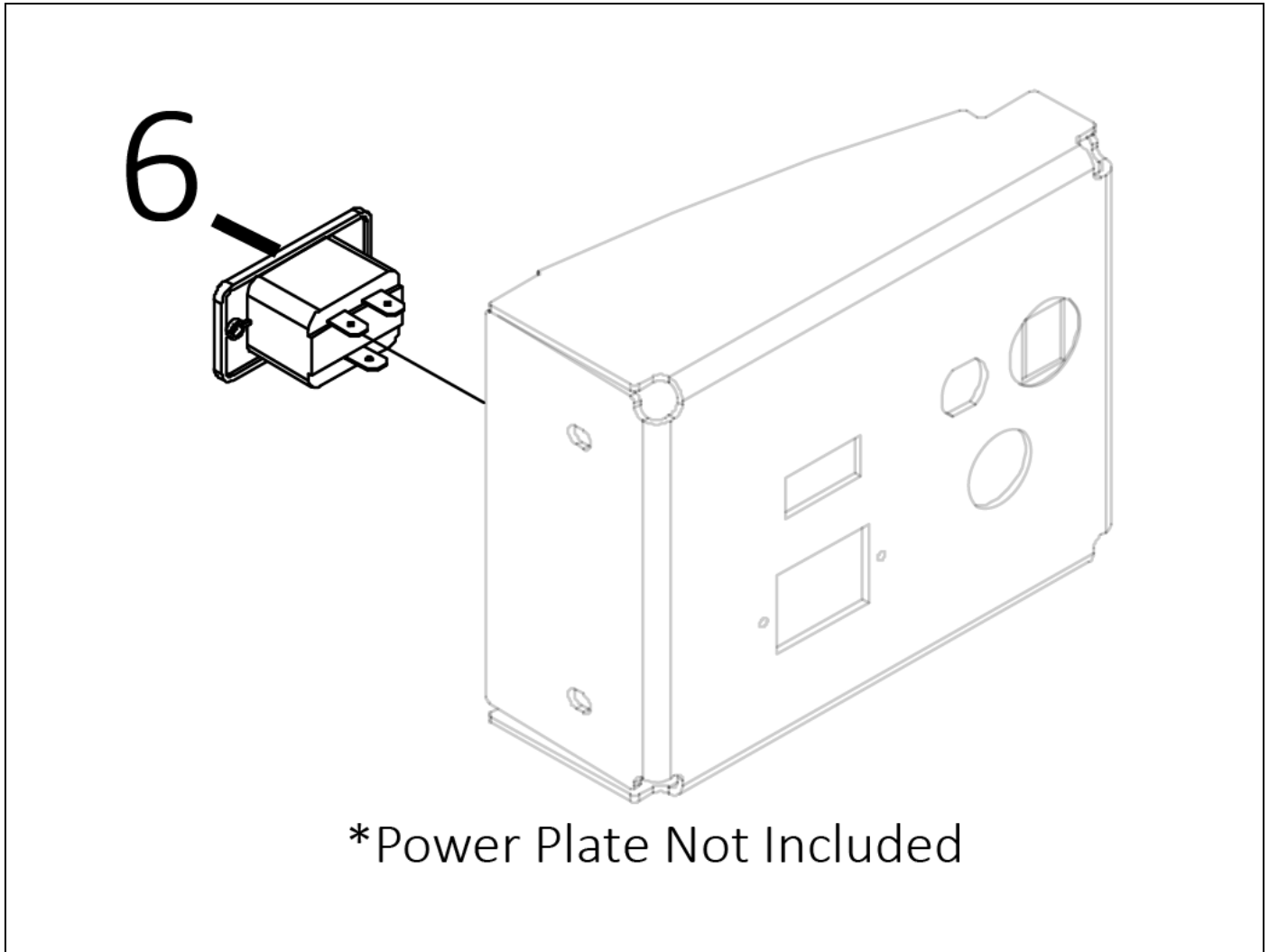


Bill of Material:

Key No:	Vendor Part No.	TRUE Part Number (if applicable)	Description:	Units:	Quantity:
76	P-2509	70327006	Black Straddle Cover Insert		2



TRUE FITNESS[®]
TRUE PART No: 70319600
Vendor PART No: XEH-003-004
Power Inlet



Bill of Material:

Key No:	Vendor Part No.	TRUE Part Number (if applicable)	Description:	Units:	Quantity:
6	XEH-003-004	70319600	Power Inlet, C20		1

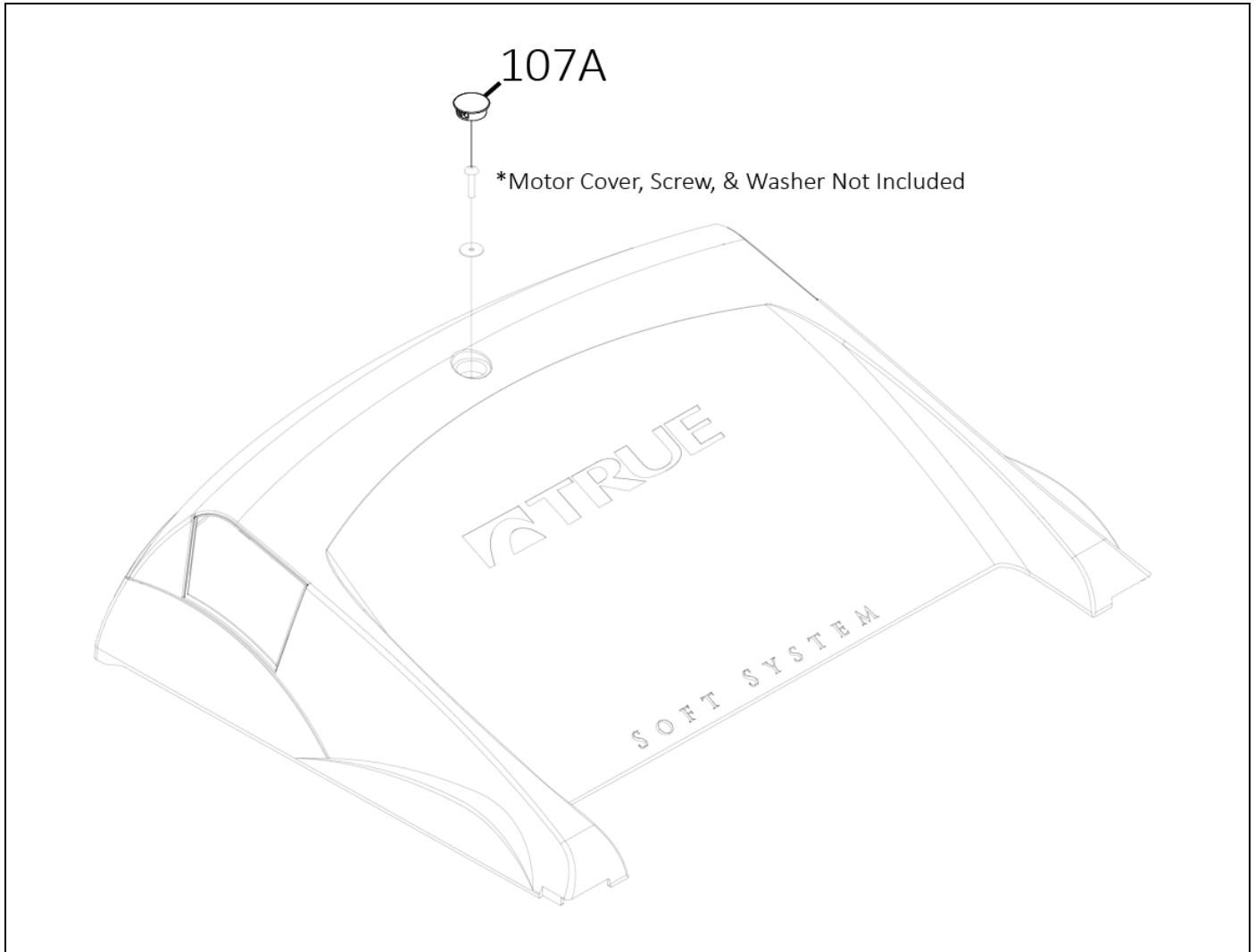


TRUE FITNESS[®]

TRUE PART No: 70309500

Vendor PART No: P-2608

Motor Cover Plug

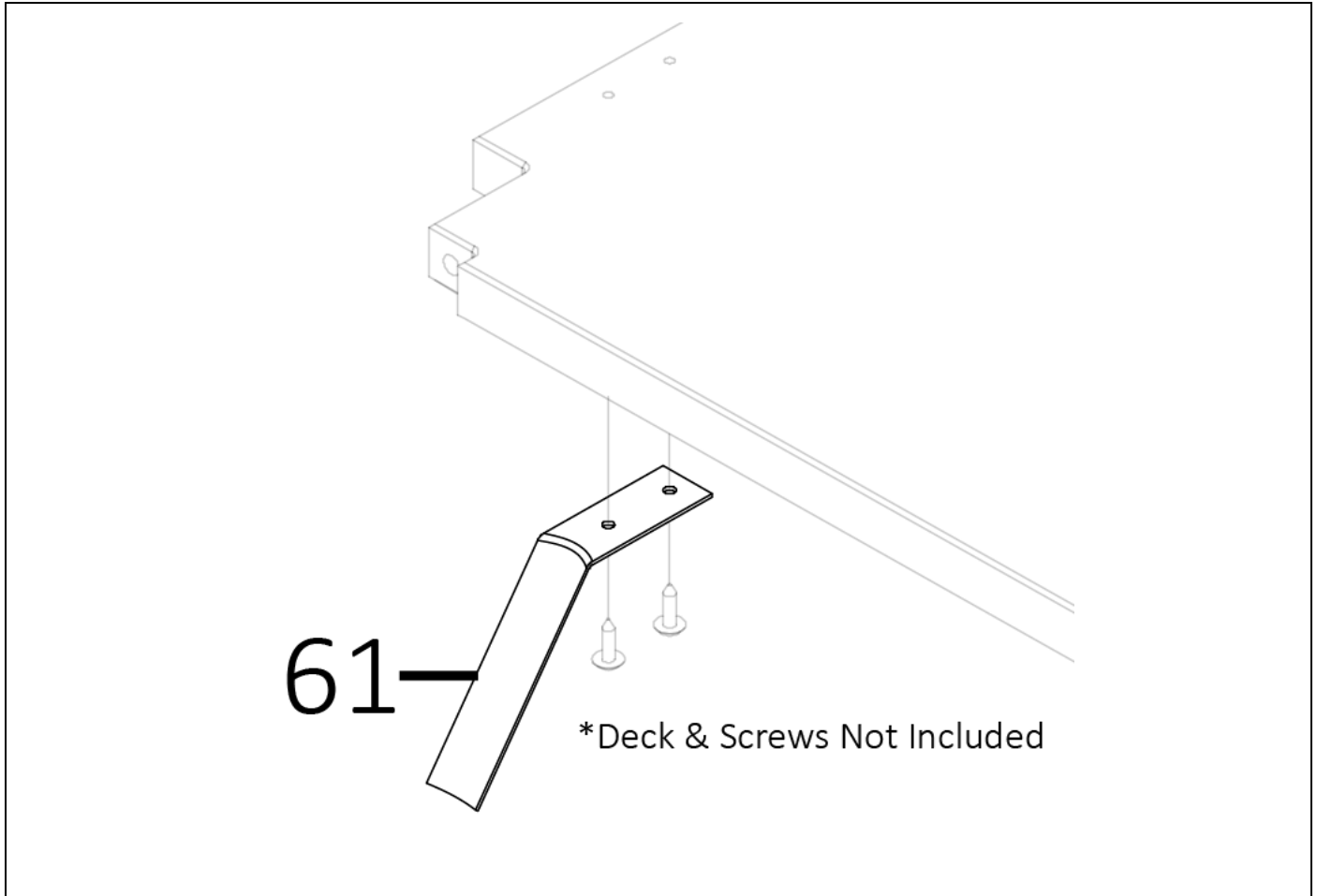


Bill of Material:

Key No:	Vendor Part No.	TRUE Part Number (if applicable)	Description:	Units:	Quantity:
107A	P-2608	70309500	Domed Plug – Motor Cover		1



TRUE FITNESS[®]
TRUE PART No: 70292900
Vendor PART No: **NO-4209**
Belt Guide (1 PC)

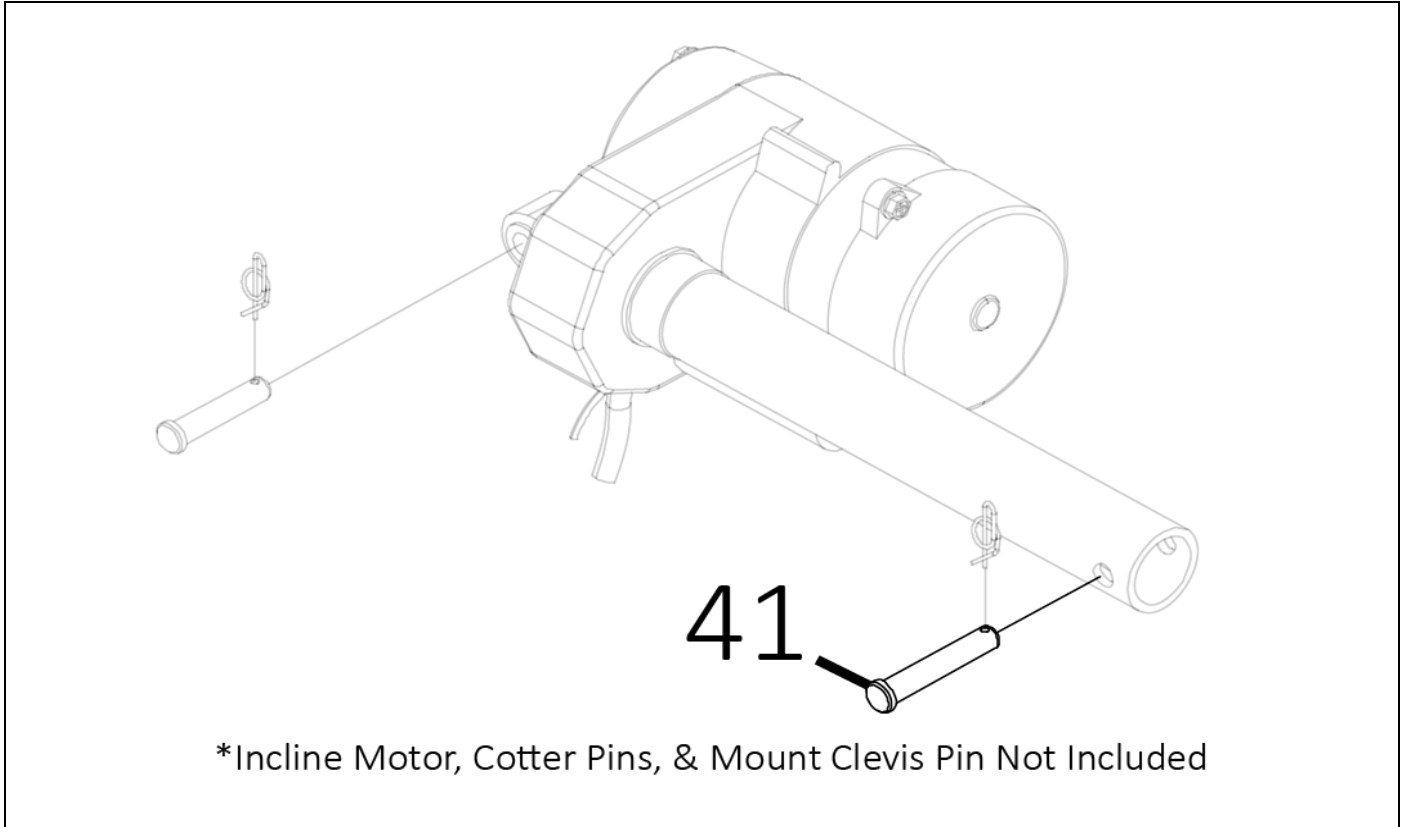


Bill of Material:

Key No:	Vendor Part No.	TRUE Part Number (if applicable)	Description:	Units:	Quantity:
61	NO-4209	70292900	Belt Guide (1 PC)		1



TRUE FITNESS[®]
TRUE PART No: 70183700
Vendor PART No: SK-512
3/8 x 2 1/8 Clevis Pin

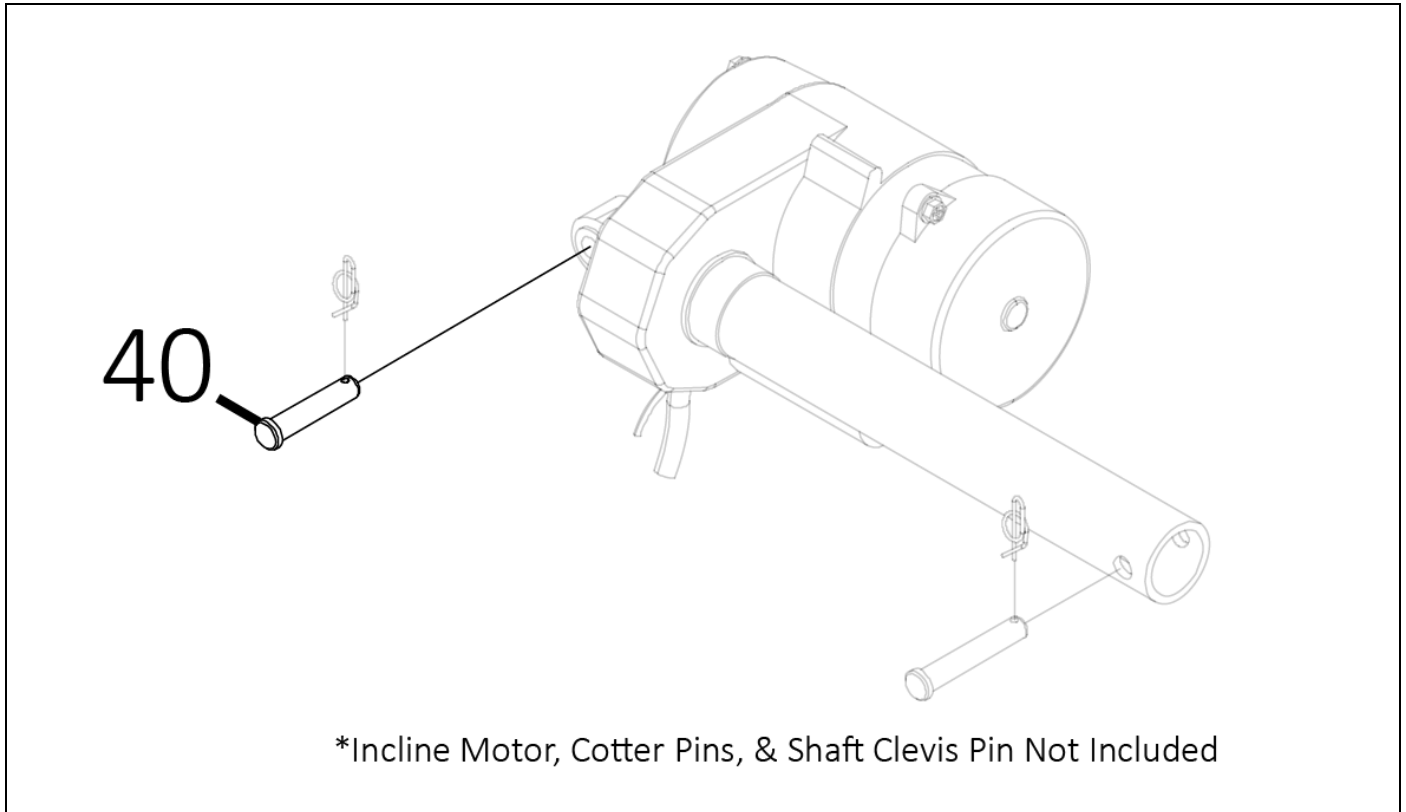


Bill of Material:

Key No:	Vendor Part No.	TRUE Part Number (if applicable)	Description:	Units:	Quantity:
41	SK-512	70183700	Clevis-Pin 3/8x2 1/8 Under Head/ZN		1



TRUE FITNESS[®]
TRUE PART No: 70183600
Vendor PART No: SK-511
3/8 x 1 3/4 Clevis-Pin

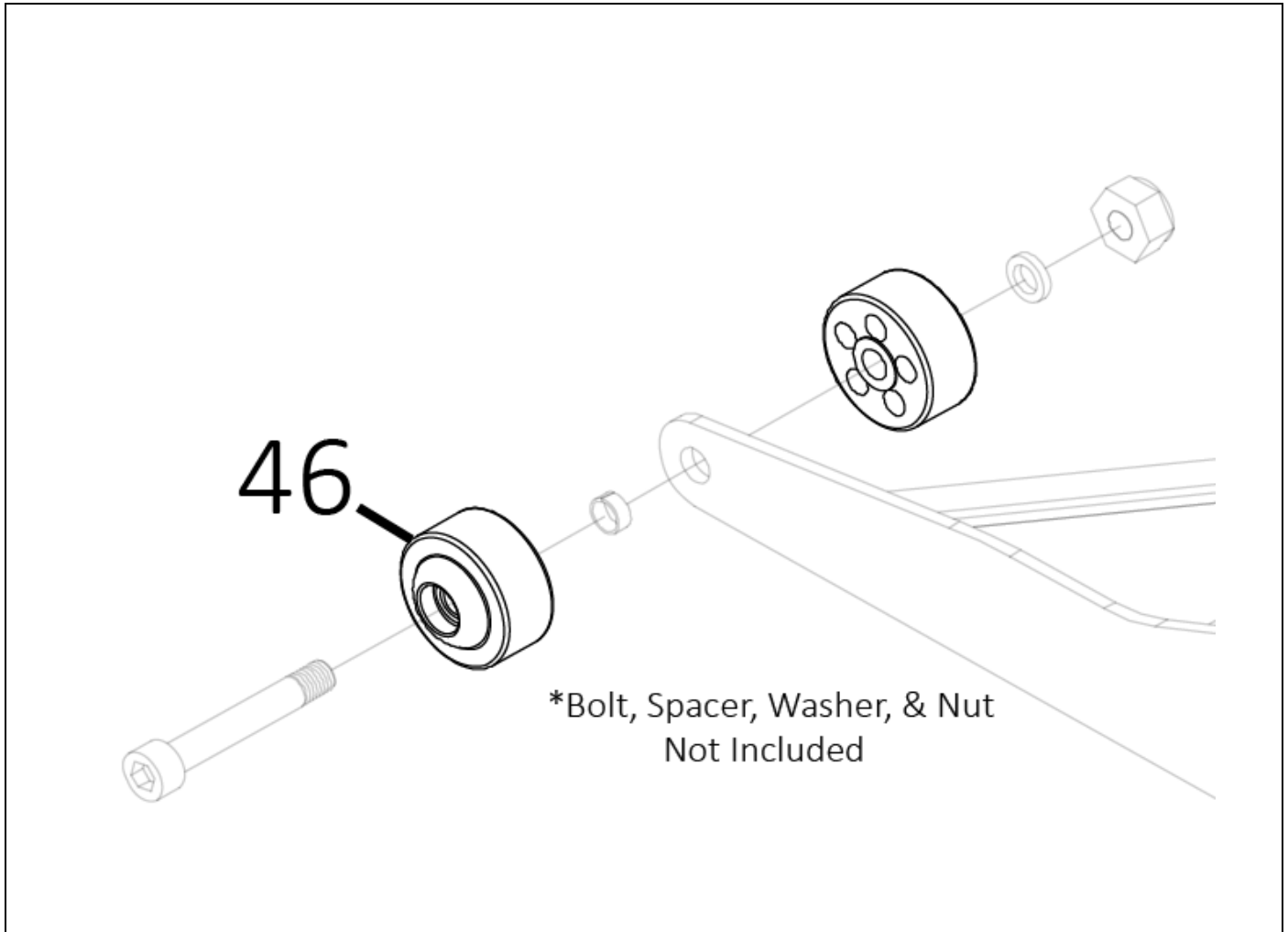


Bill of Material:

Key No:	Vendor Part No.	TRUE Part Number (if applicable)	Description:	Units:	Quantity:
40	SK-511	70183600	Clevis-Pin 3/8x1 3/4 Under Head/ZN		1



TRUE FITNESS[®]
TRUE PART No: 70176701
Vendor PART No: P-2506
Transport Wheel



Bill of Material:

Key No:	Vendor Part No.	TRUE Part Number (if applicable)	Description:	Units:	Quantity:
46	P-2506	70176701	Molded Wheel, 2 ¼ OD – ½" Hole		2

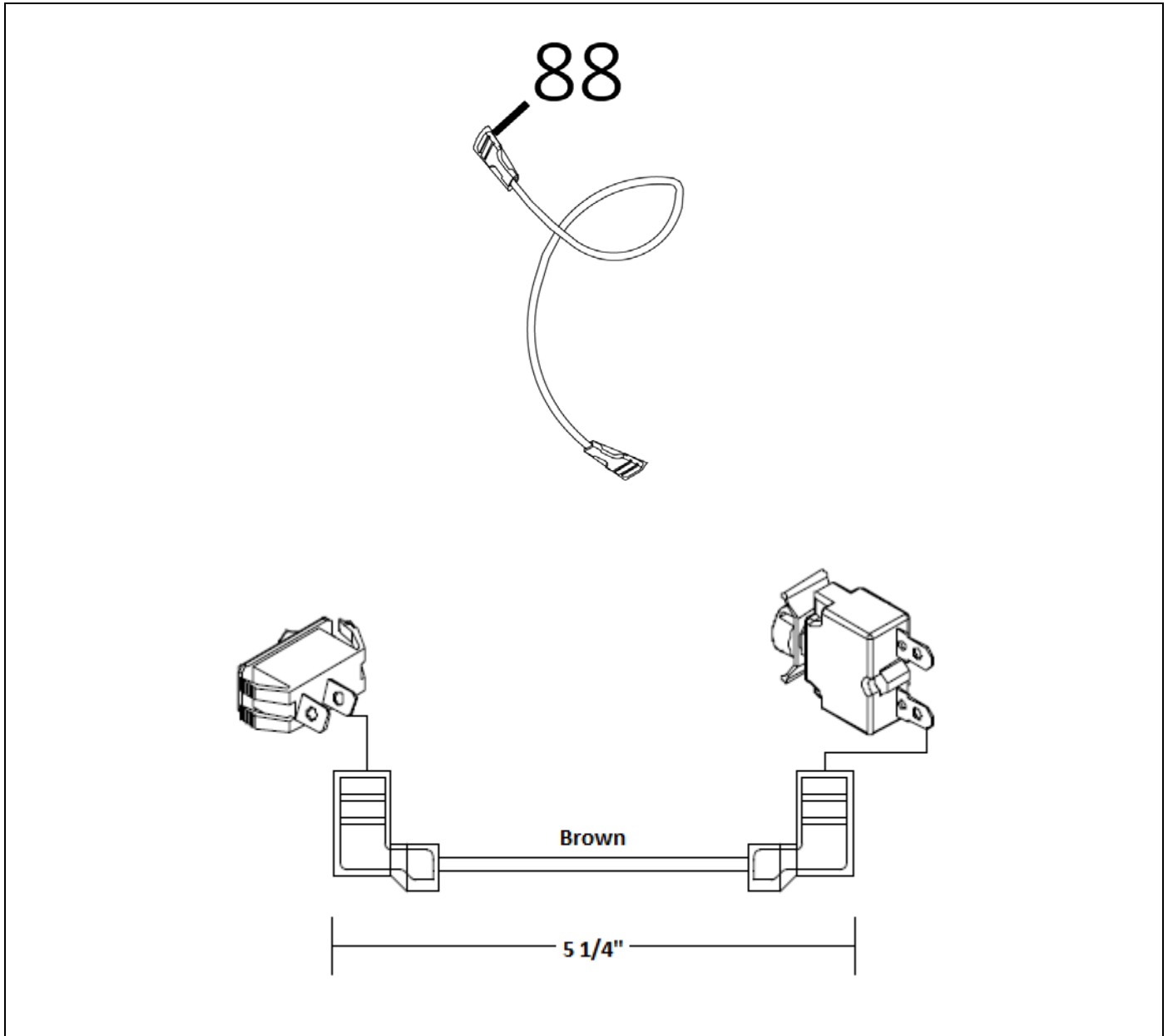


TRUE FITNESS[®]

TRUE PART No: 70124400

Vendor PART No: **XLT058**

Power Switch to Circuit Breaker Wire



Bill of Material:

Key No:	Vendor Part No.	TRUE Part Number (if applicable)	Description:	Units:	Quantity:
88	XLT058	70124400	Wire, Pwr Switch/Circuit Breaker		2



TRUE FITNESS[®]
TRUE PART No: 7TCS90015
Vendor PART No: P-3570
CHR Insert Plastic (Dog House)



Bill of Material:

Key No:	Vendor Part No.	TRUE Part Number (if applicable)	Description:	Units:	Quantity:
200	P-3570	7TCS90015	CHR Insert Plastic (Dog House)		1

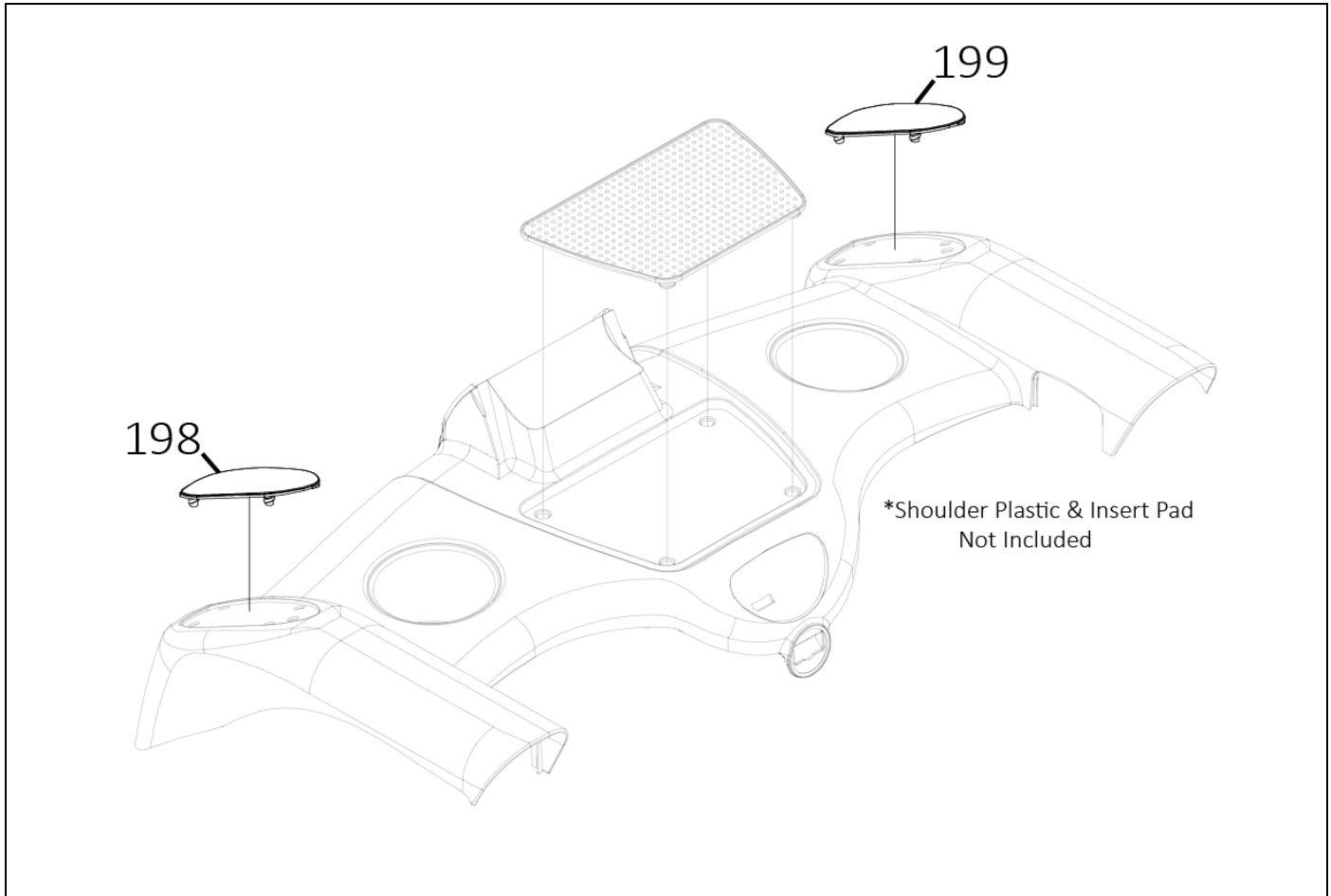


TRUE FITNESS[®]

TRUE PART No: 7TCS90014

Vendor PART No: XXXXXX

Shoulder Insert Assembly

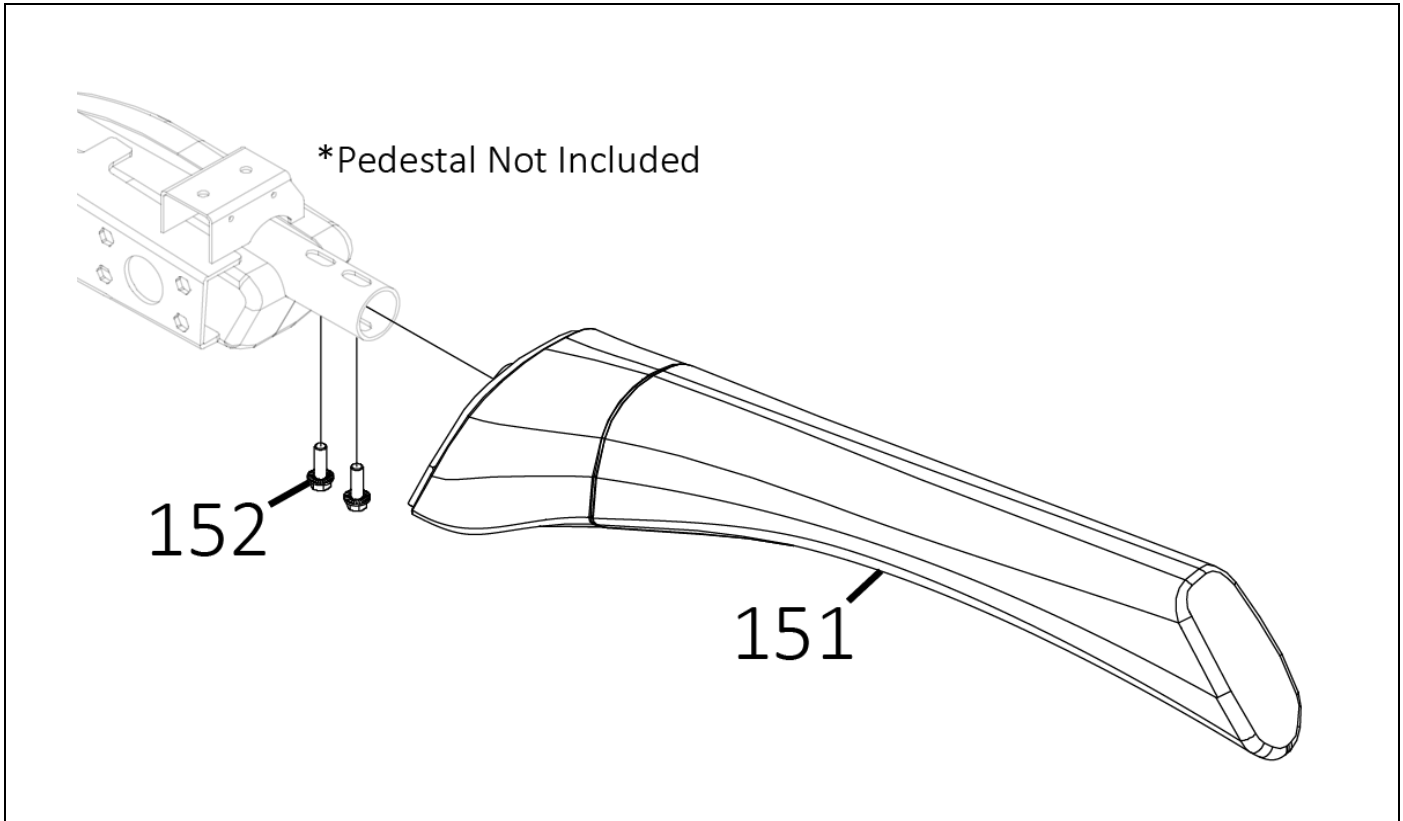


Bill of Material:

Key No:	Vendor Part No.	TRUE Part Number (if applicable)	Description:	Units:	Quantity:
198	P-3566L		Shoulder Top Insert Pad (Left)		1
199	P-3566R		Shoulder Top Insert Pad (Right)		1



TRUE FITNESS[®]
TRUE PART No: 7TCS90013
Vendor PART No: JTDA044R
Foam Arm Assembly (Right)

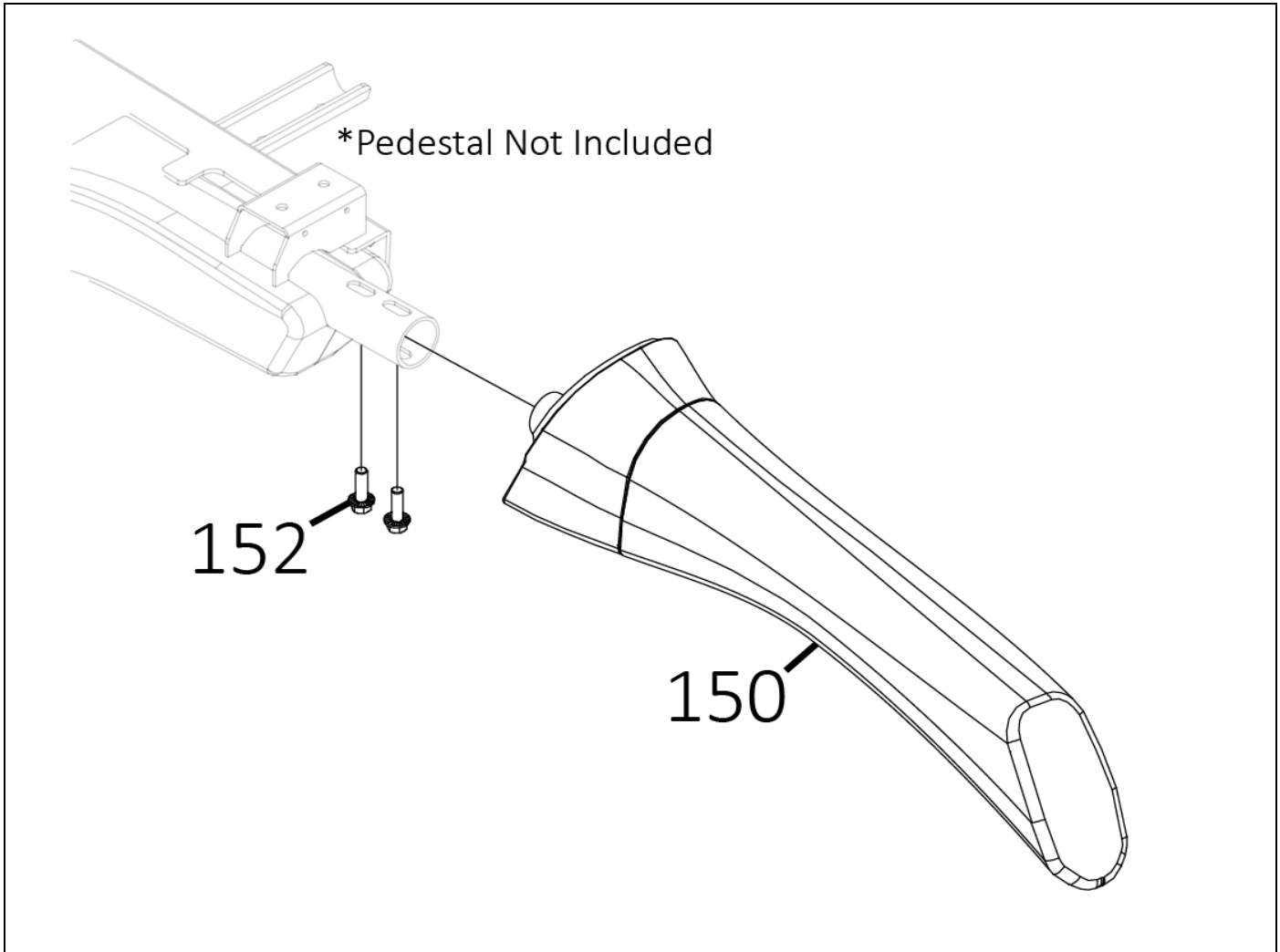


Bill of Material:

Key No:	Vendor Part No.	TRUE Part Number (if applicable)	Description:	Units:	Quantity:
150	JTDA044R	7TCS90013	Foam Arm Assembly (Right)		1
152	SK-552		Bolt – Hex Head 1/4" – 20UNC x 20mm		2



TRUE FITNESS[®]
TRUE PART No: 7TCS90012
Vendor PART No: JTDA044L
Foam Arm Assembly (Left)

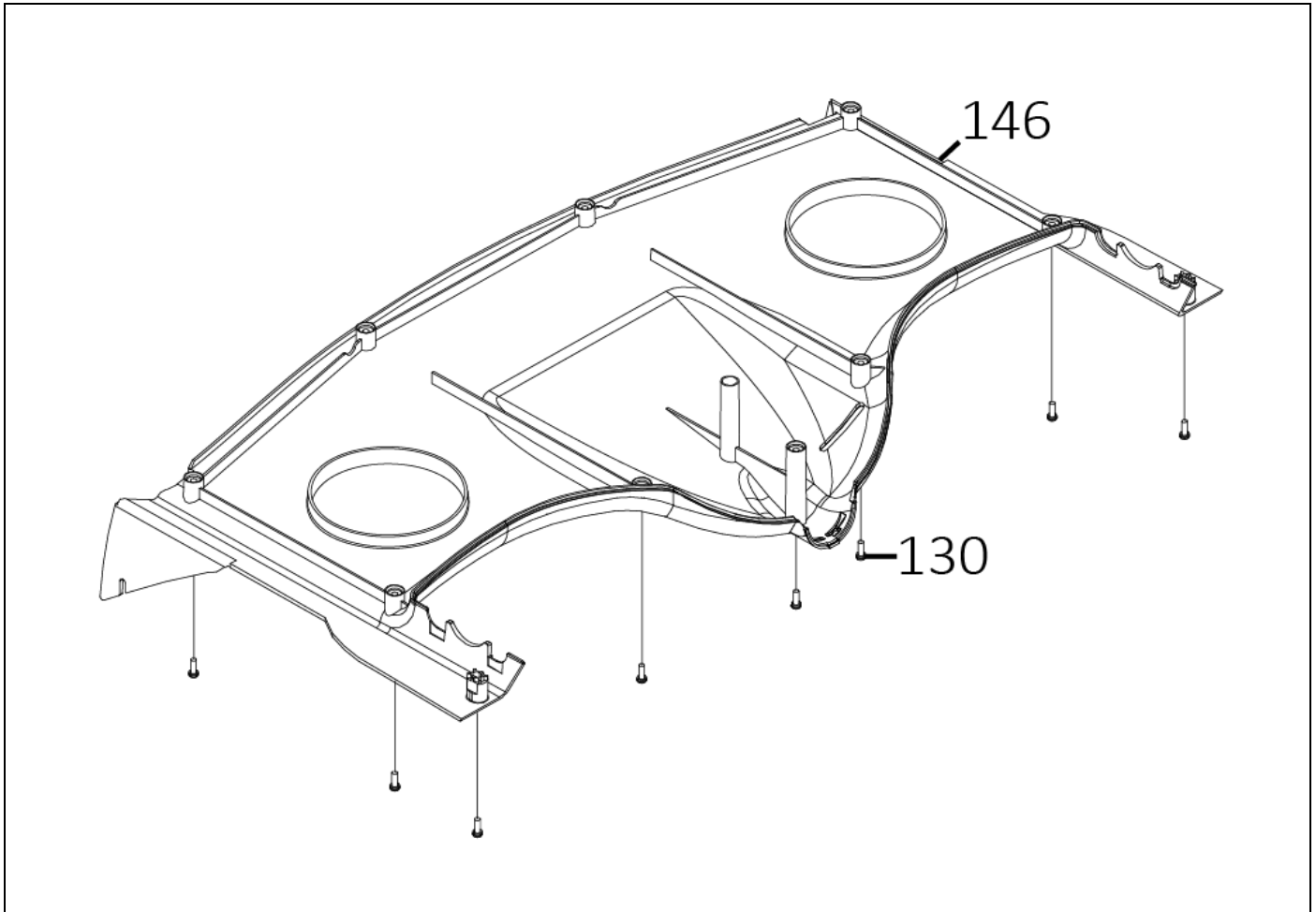


Bill of Material:

Key No:	Vendor Part No.	TRUE Part Number (if applicable)	Description:	Units:	Quantity:
150	JTDA044L	7TCS90012	Foam Arm Assembly (Left)		1
152	SK-552		Bolt-Hex Head 1/4" -20UNCx20mm		2



TRUE FITNESS[®]
TRUE PART No: 7TCS90011
Vendor PART No: P-3569
Shoulder Plastic Bottom



Bill of Material:

Key No:	Vendor Part No.	TRUE Part Number (if applicable)	Description:	Units:	Quantity:
146	P-3569	7TCS90011	Shoulder Plastic bottom		1
130	SK-576	7TCS0024	SEMS Bolt M4xP0.7x12 Nylok		10

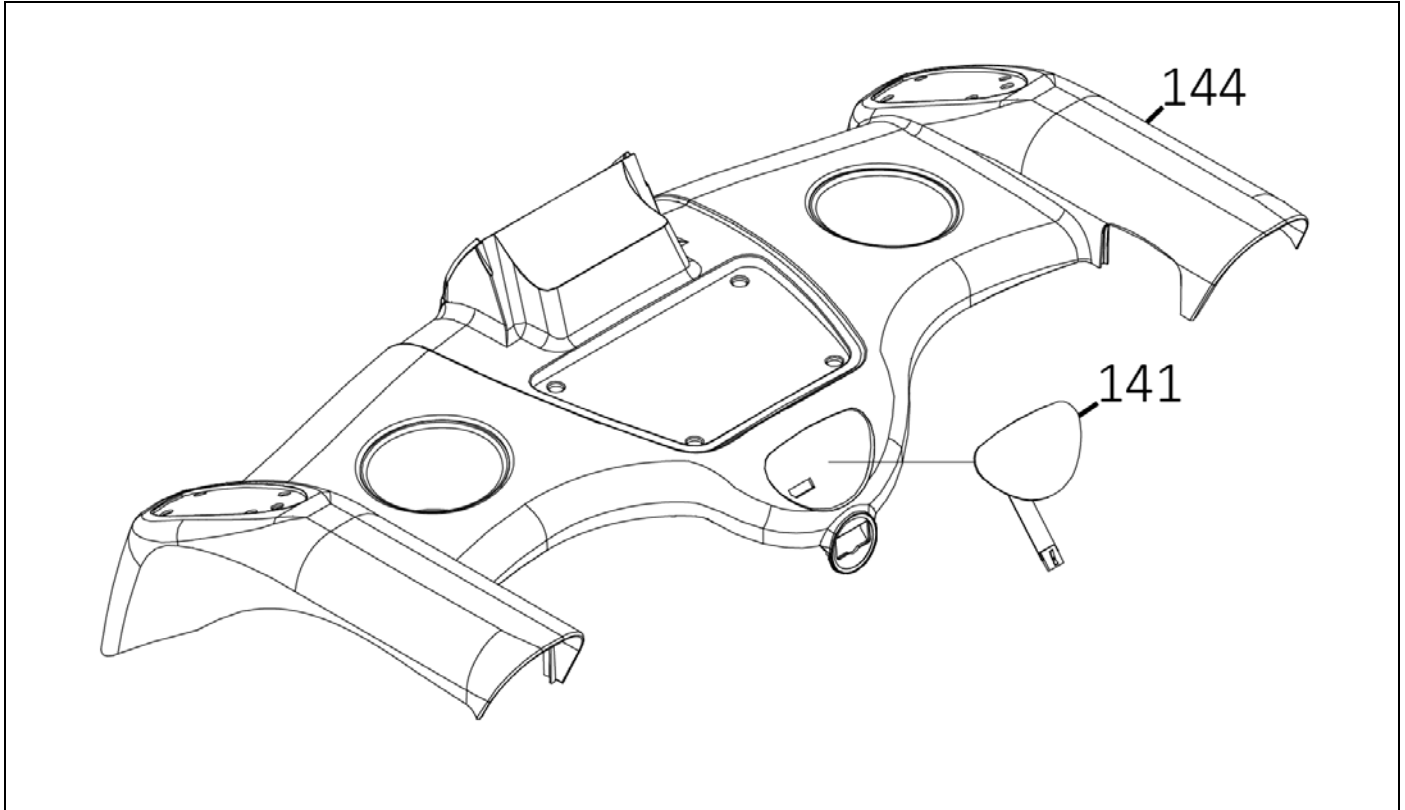


TRUE FITNESS[®]

TRUE PART No: 7TCS90010

Vendor PART No: XXXXX

Shoulder Plastic Top Assembly



Bill of Material:

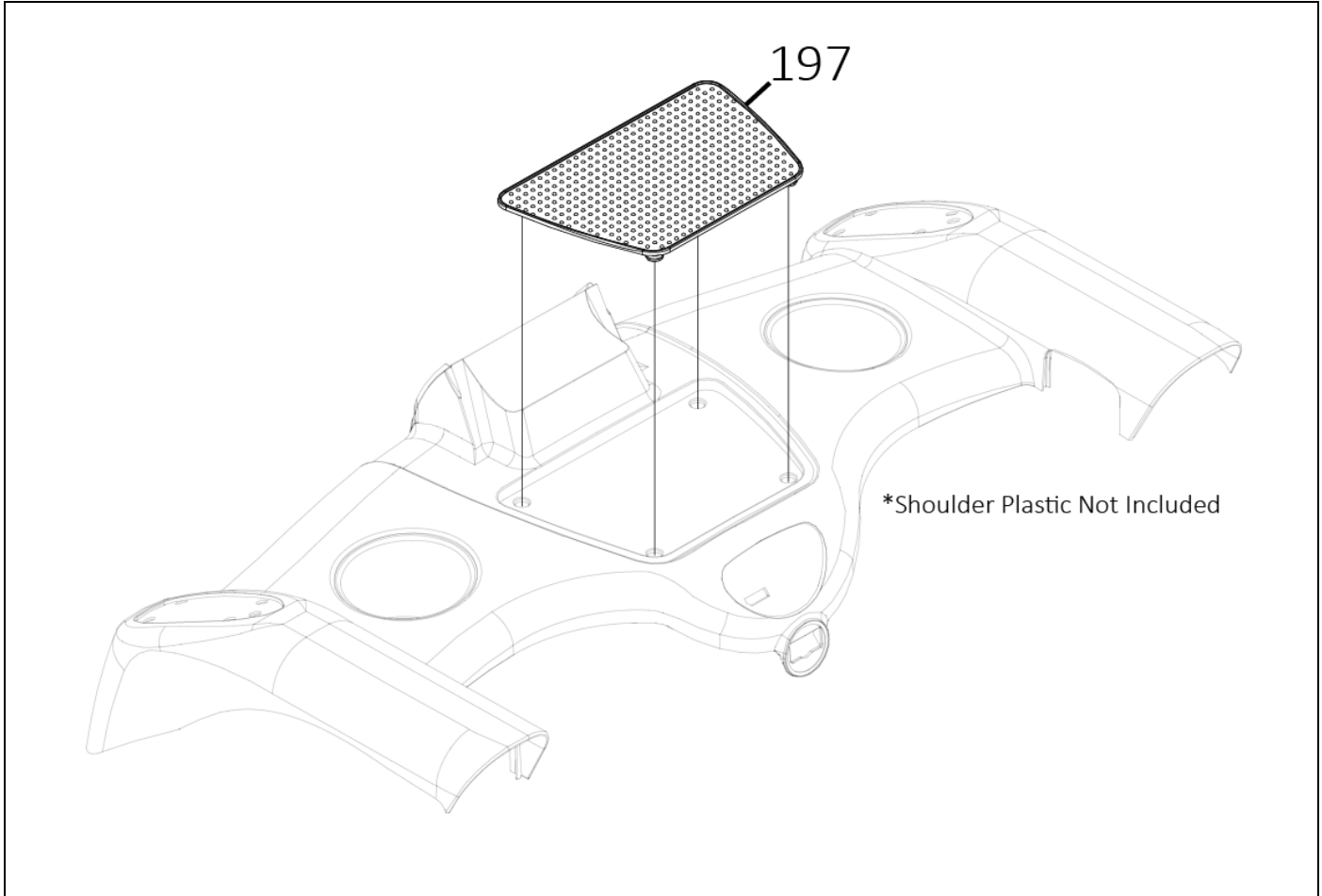
Key No:	Vendor Part No.	TRUE Part Number (if applicable)	Description:	Units:	Quantity:
144	P-3563	7TCS90010	Shoulder Plastic Top		1
	RD-03-0009	70589500	Center Pod Click Touch		1



TRUE FITNESS[®]

TRUE PART No: 7TCS9018

Vendor PART No: P-3565
Tray Insert Pad CS900 (Blue)



Bill of Material:

Key No:	Vendor Part No.	TRUE Part Number (if applicable)	Description:	Units:	Quantity:
197	P-3565		Tray Insert Pad	1	1

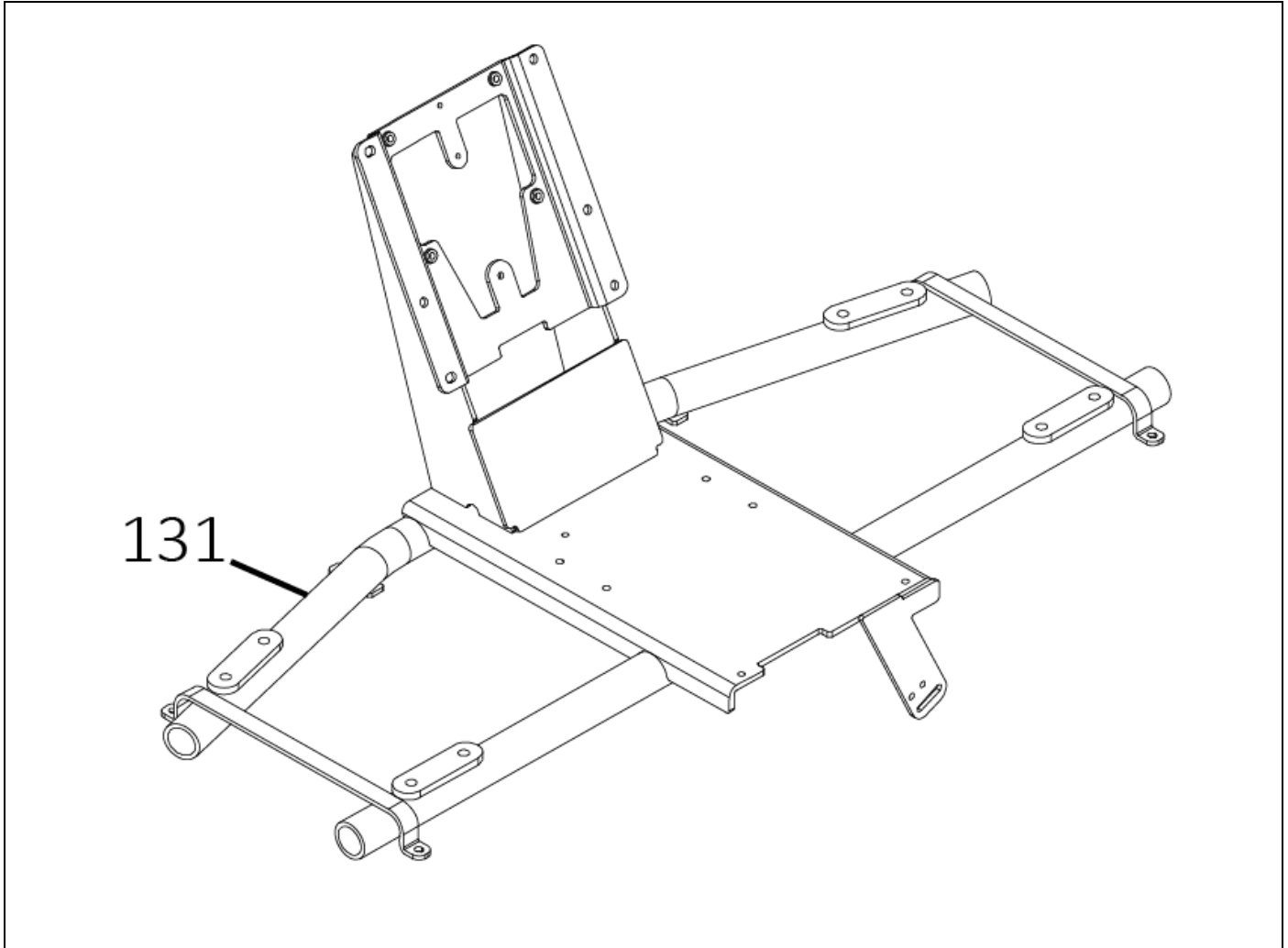


TRUE FITNESS[®]

TRUE PART No: 7TCS9009

Vendor PART No: JTEA015

Console Mast Weldment

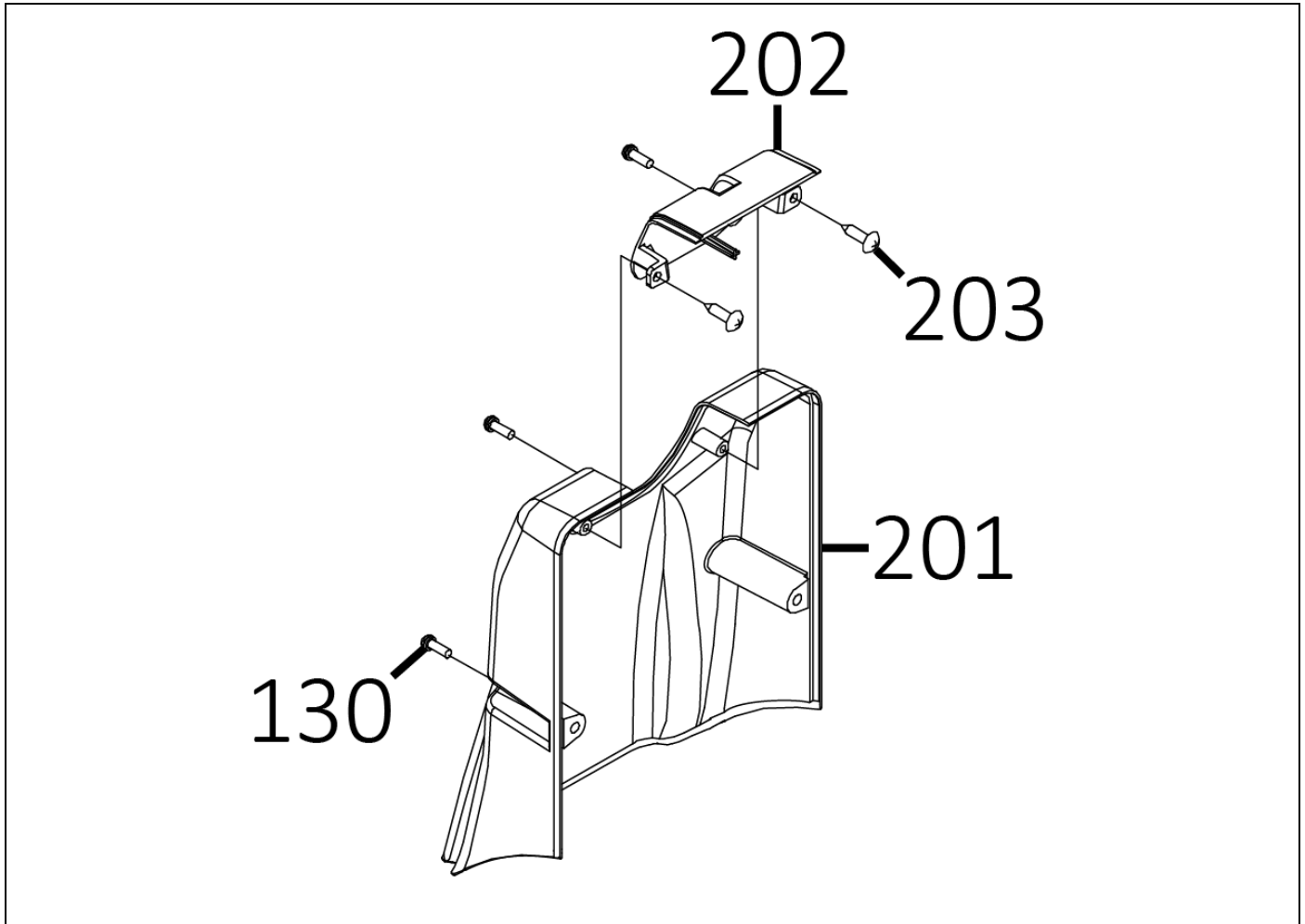


Bill of Material:

Key No:	Vendor Part No.	TRUE Part Number (if applicable)	Description:	Units:	Quantity:
131	JTEA015	7TCS9009	Console Mast Weldment		1



TRUE FITNESS®
TRUE PART No: 7TCS9008
Vendor PART No: XXXXXX
Rear Cover Assembly



Bill of Material:

Key No:	Vendor Part No.	TRUE Part Number (if applicable)	Description:	Units:	Quantity:
201	P-3571		Console Rear Cover		1
130	SK-576	7TCS0024	SEMS Bolt M4-P0.7x12 Nylok		3
202	P-3572		Console Rear Cover Insert		1
203	SC14-12		Bolt 4x12		2

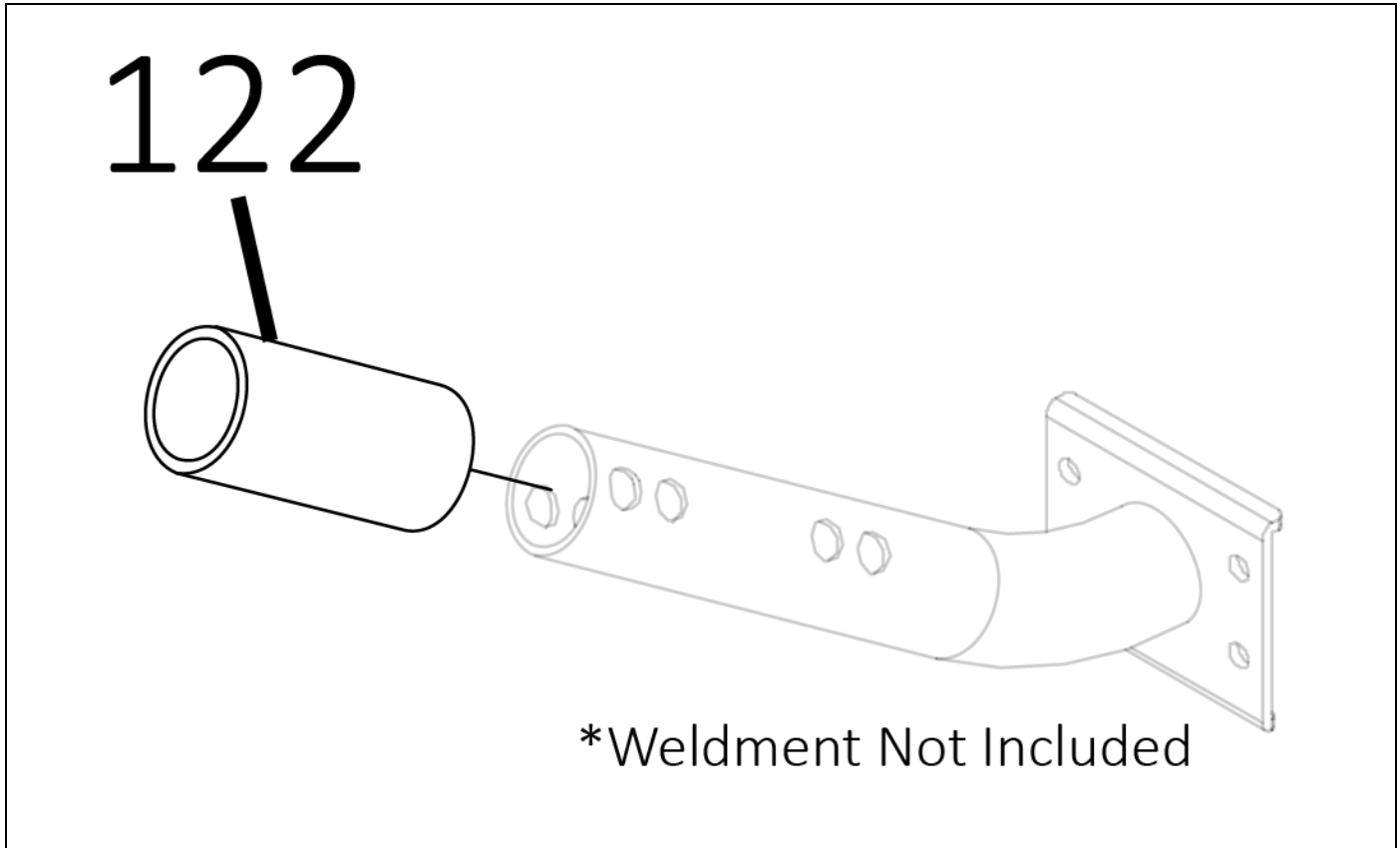


TRUE FITNESS[®]

TRUE PART No: 7TCS9007

Vendor PART No: PFA030-03-0073

HDR Foam Grip

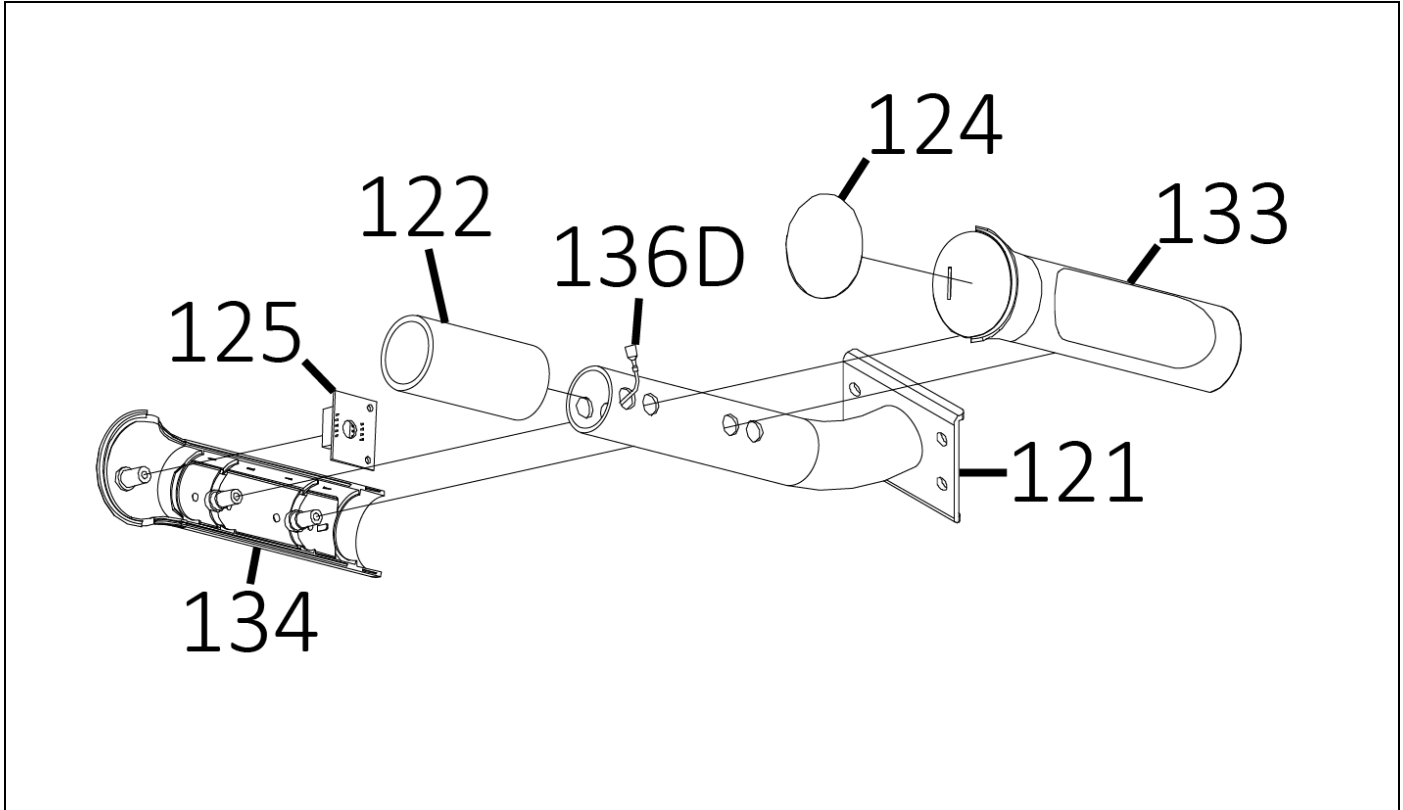


Bill of Material:

Key No:	Vendor Part No.	TRUE Part Number (if applicable)	Description:	Units:	Quantity:
122	PFA030-03-0073	7TCS9007	HDR Foam Grip		1



TRUE FITNESS[®]
TRUE PART No: 7TCS9006
Vendor PART No: JTDA043R
CHR Grip Tube Weldment (R)



Bill of Material:

Key No:	Vendor Part No.	TRUE Part Number (if applicable)	Description:	Units:	Quantity:
121	JTDA043R	7TCS9006	CHR Grip Tube Weldment (R)		1
124	RD-02-006	70589300	Click Touch Thumbswitch (Right) Speed		1
125		XEK-289	CHR Grip Board		1
133	7TCS0006	P-3552	CHR Plastic Top		1
134		P-3553	CHR Plastic Bottom		1
122	PFA030-03-0073	7TCS9007	HDR Foam Grip		1
136D	XL-1535	7TCS0010	CHR Wire (Bottom)		1

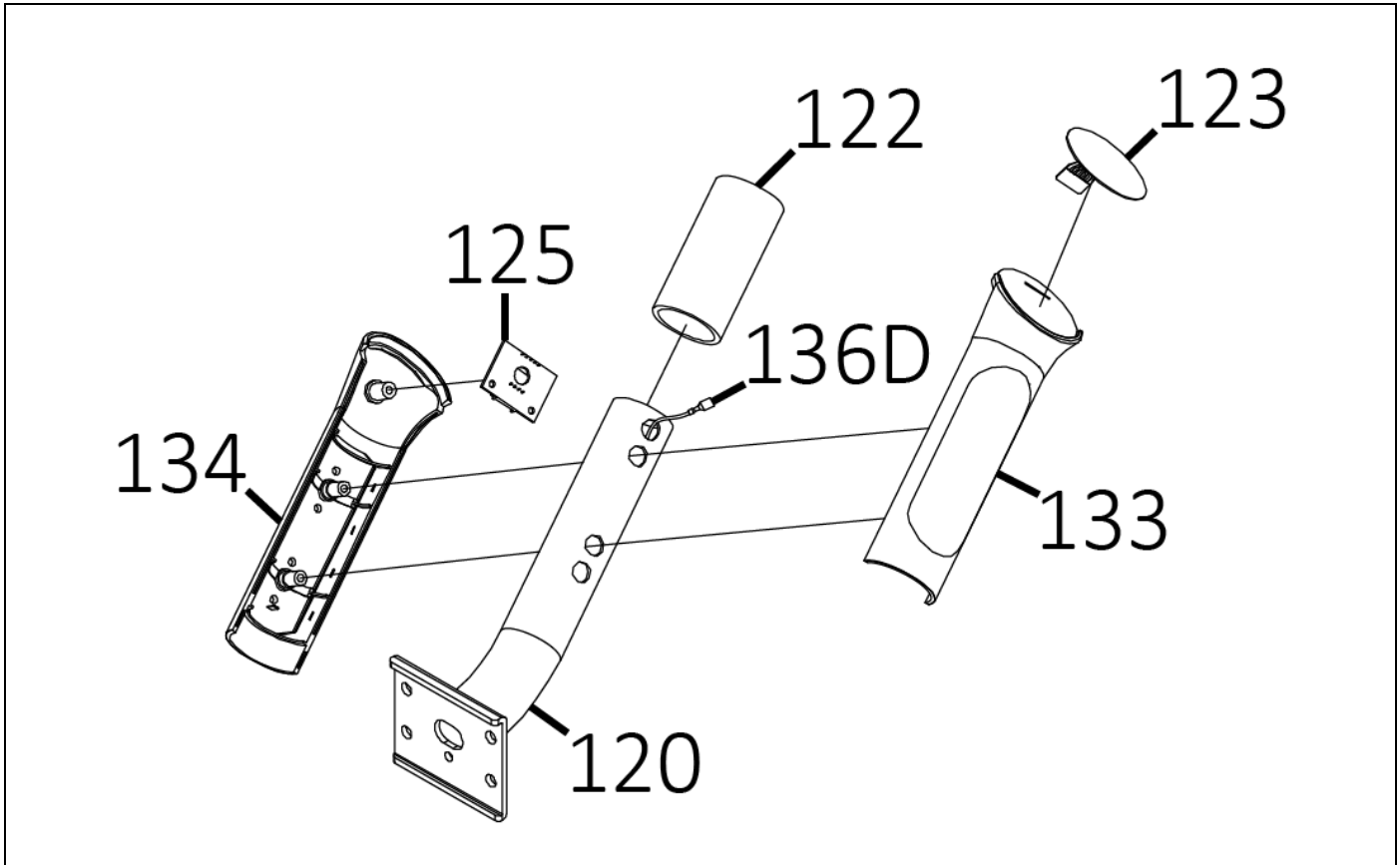


TRUE FITNESS[®]

TRUE PART No: 7TCS9005

Vendor PART No: JTDA043L

CHR Grip Tube Weldment (L)

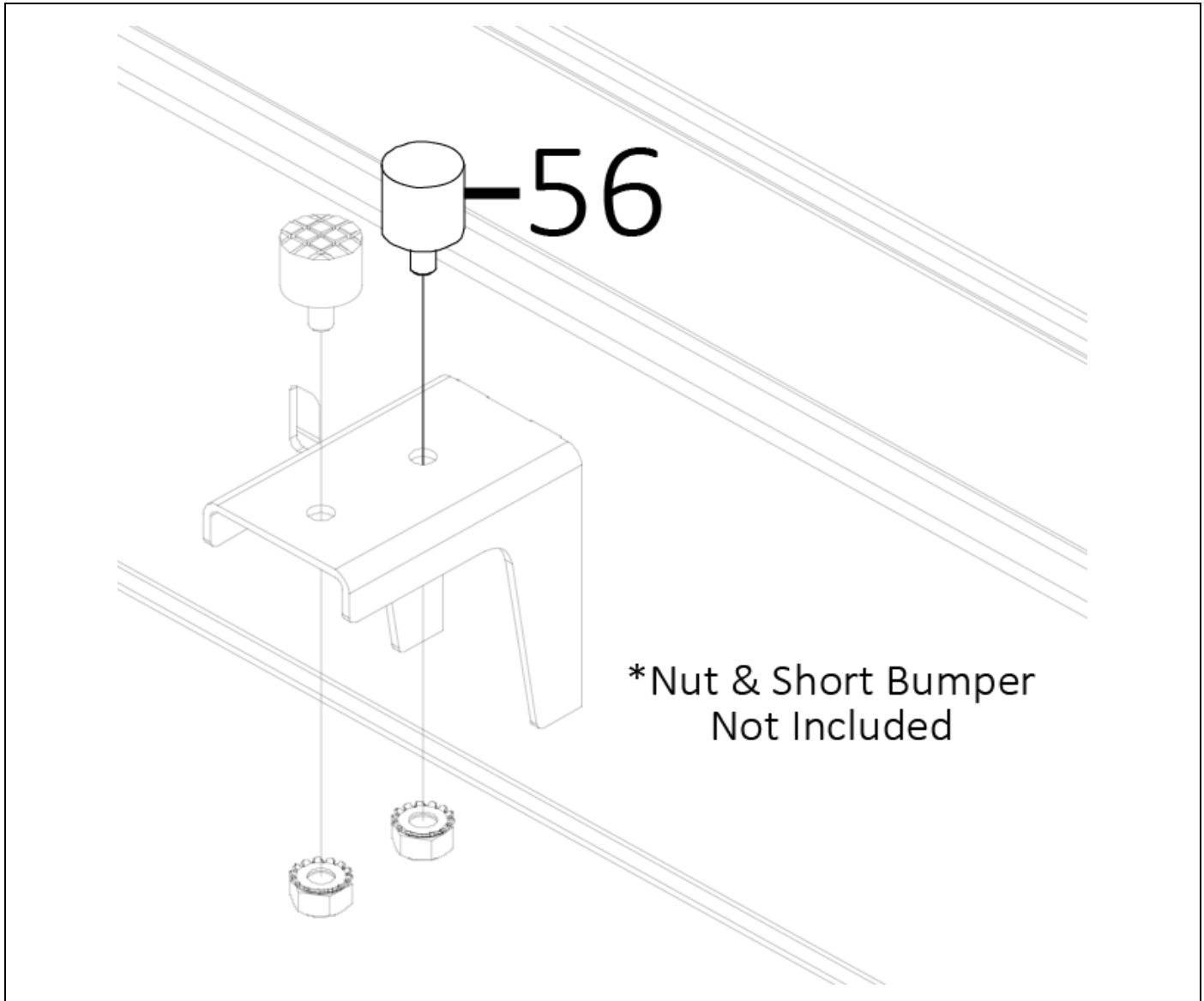


Bill of Material:

Key No:	Vendor Part No.	TRUE Part Number (if applicable)	Description:	Units:	Quantity:
120	JTDA043L	7TCS9005	CHR Grip Tube Weldment (L)		1
125	XEK-289		CHR Grip Board		1
122	RD-02-0005	70589200	HDR Foam Grip		1
123	RD-02-0005	70589200	Click Touch Thumbswitch (Left) Incline		1
133	P-3552	7TCS0005	CHR Plastic Top		1
134	P-3553		CHR Plastic Bottom		1
136D	XL-1535	7TCS0010	CHR Wire (Bottom)		1



TRUE FITNESS[®]
TRUE PART No: 7TCS9004
Vendor PART No: P-2508A
Long Deck Bumper

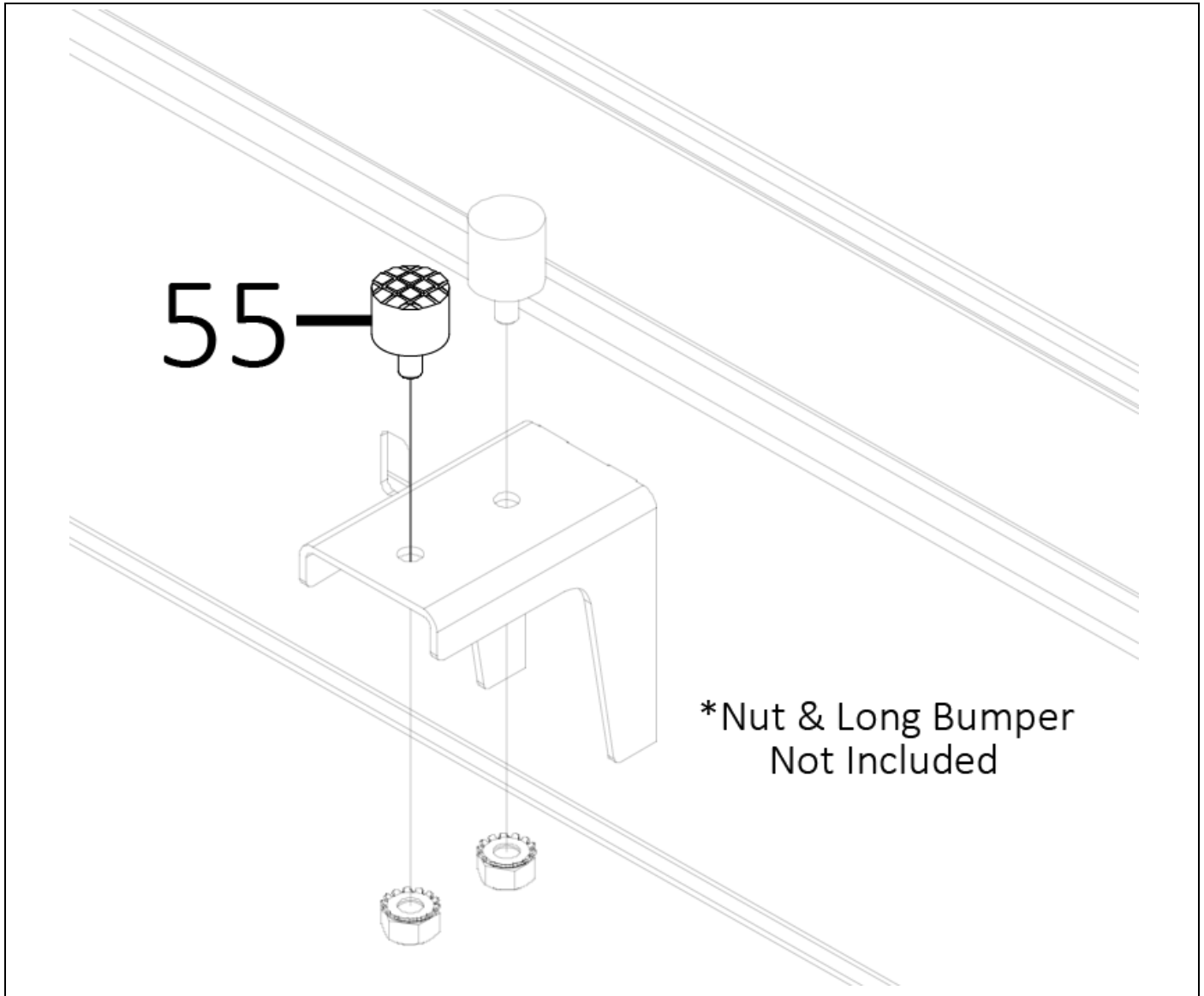


Bill of Material:

Key No:	Vendor Part No.	TRUE Part Number (if applicable)	Description:	Units:	Quantity:
56	P-2508A	7TCS9004	Long Deck Bumper		1



TRUE FITNESS[®]
TRUE PART No: 7TCS9003
Vendor PART No: P-2507A
Short Deck Bumper



Bill of Material:

Key No:	Vendor Part No.	TRUE Part Number (if applicable)	Description:	Units:	Quantity:
55	P-2507A	7TCS9003	Short Deck Bumper		1

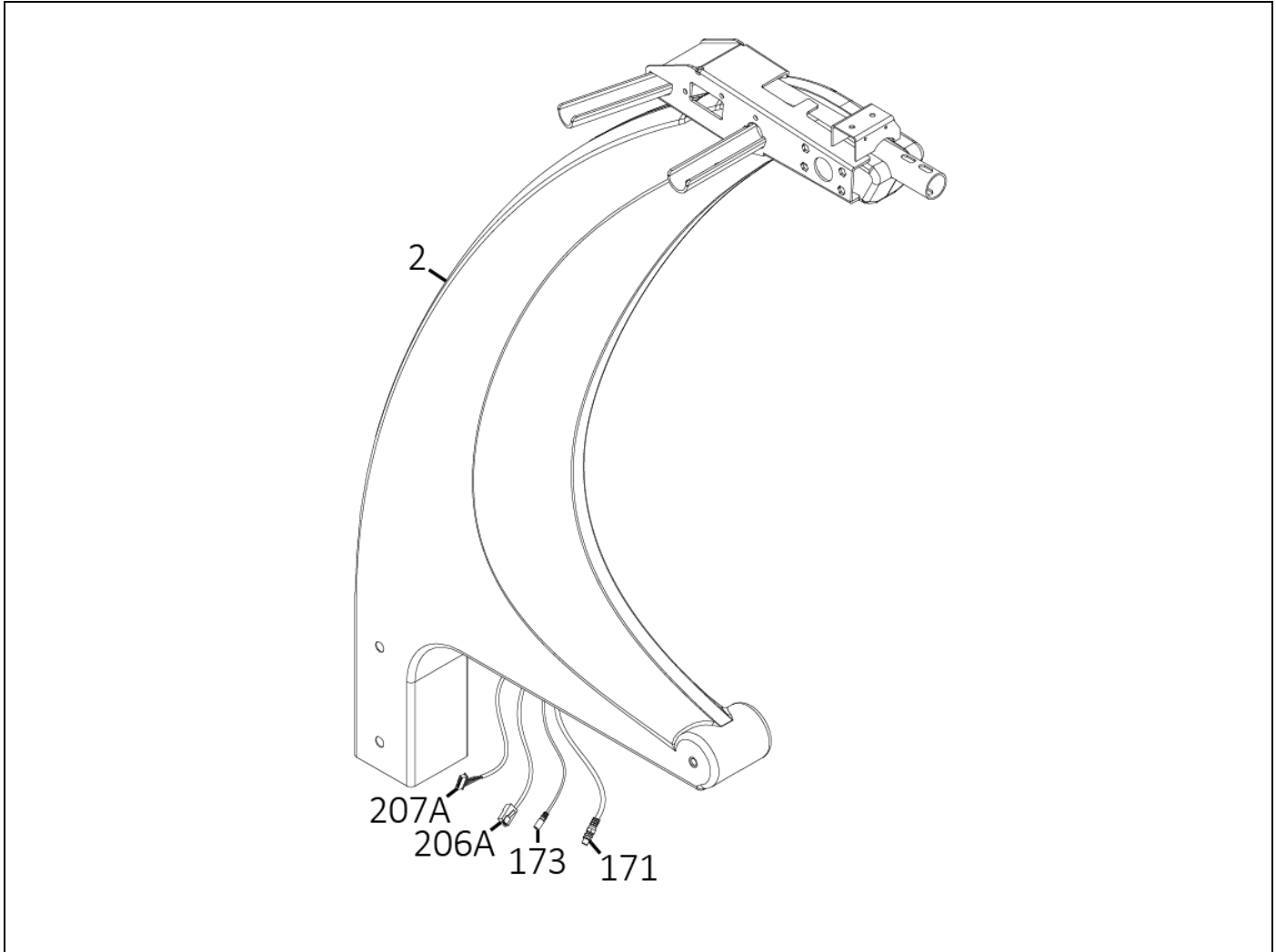


TRUE FITNESS[®]

TRUE PART No: 7TCS9002

Vendor PART No: JTCB048

Pedestal (Right)

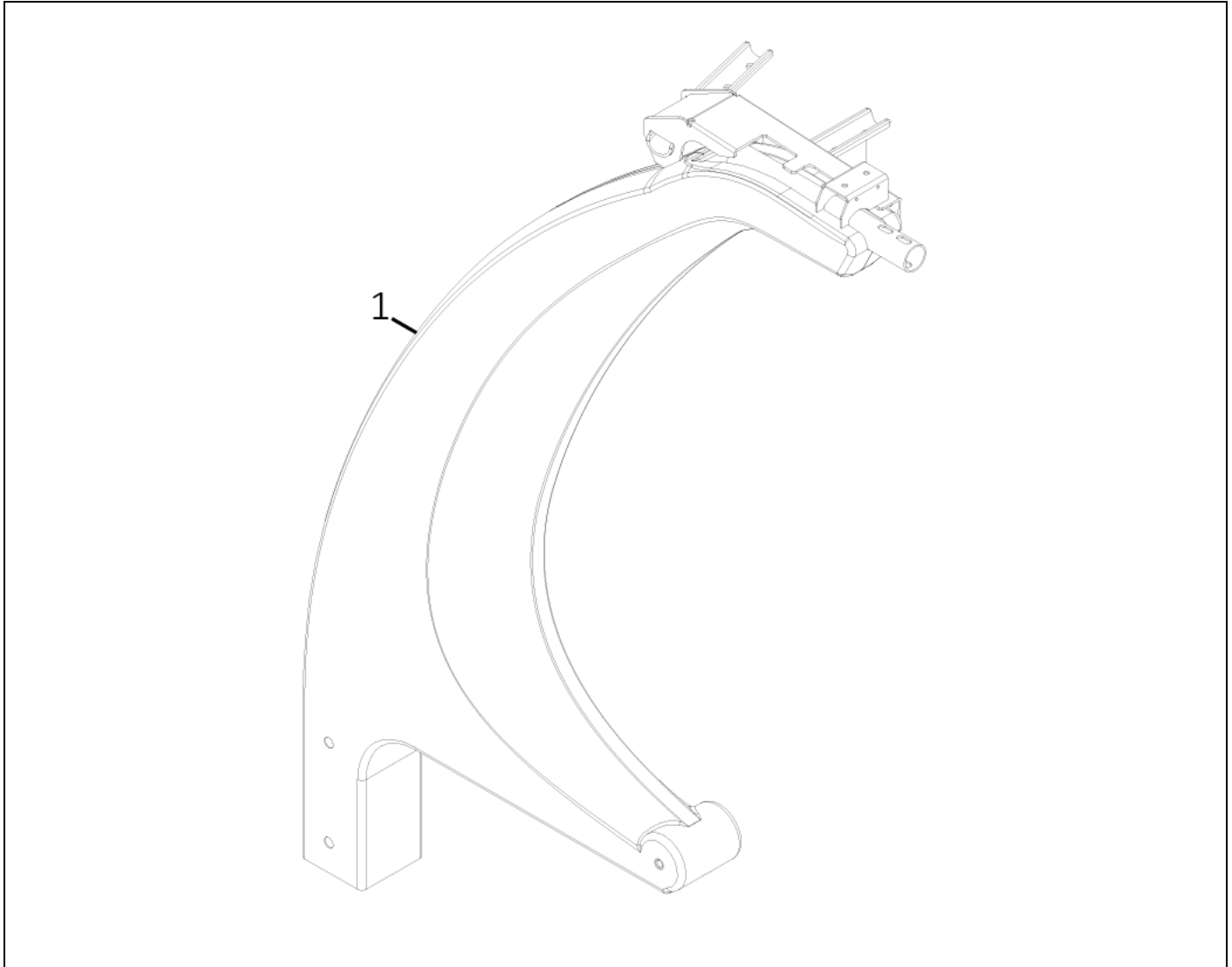


Bill of Material:

Key No:	Vendor Part No.	TRUE Part Number (if applicable)	Description:	Units:	Quantity:
1	JTCB048	7TCS9002	Pedestal (Right)		1
207A	XL-1533B	7TCS0021	IOLCB Wire (Lower)		1
206A	XL-1533A	7TCS0020	IOLCB Wire (Upper)		1
173	XL-1532B	7TCS0015	Wire-External DC Pedestal Extension		1
171	XL-1051B	7CT0023	TV Cable (Bottom)		1



TRUE FITNESS[®]
TRUE PART No: 7TCS9001
Vendor PART No: JTCA071
Pedestal (Left)

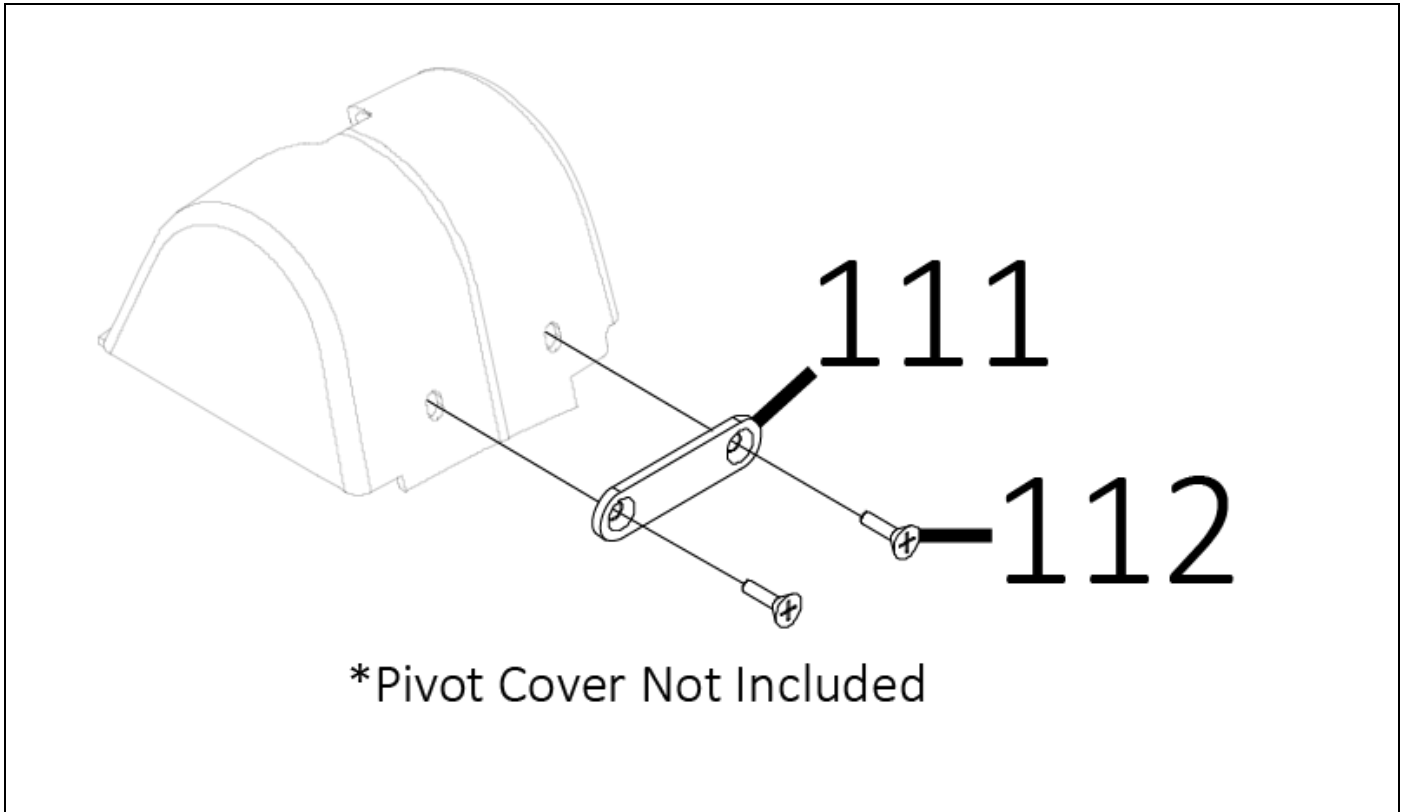


Bill of Material:

Key No:	Vendor Part No.	TRUE Part Number (if applicable)	Description:	Units:	Quantity:
1	JTCA071	7TCS9001	Pedestal (Left)		1



TRUE FITNESS[®]
TRUE PART No: 7TCS0029
Vendor PART No: XXXXX
Plate, Pivot Cover W/Screws



Bill of Material:

Key No:	Vendor Part No.	TRUE Part Number (if applicable)	Description:	Units:	Quantity:
111	NO-4500		Screw Plate Pivot Cap		1
122	SHA #10-15		Bolt #10-32 UNF x 15		2

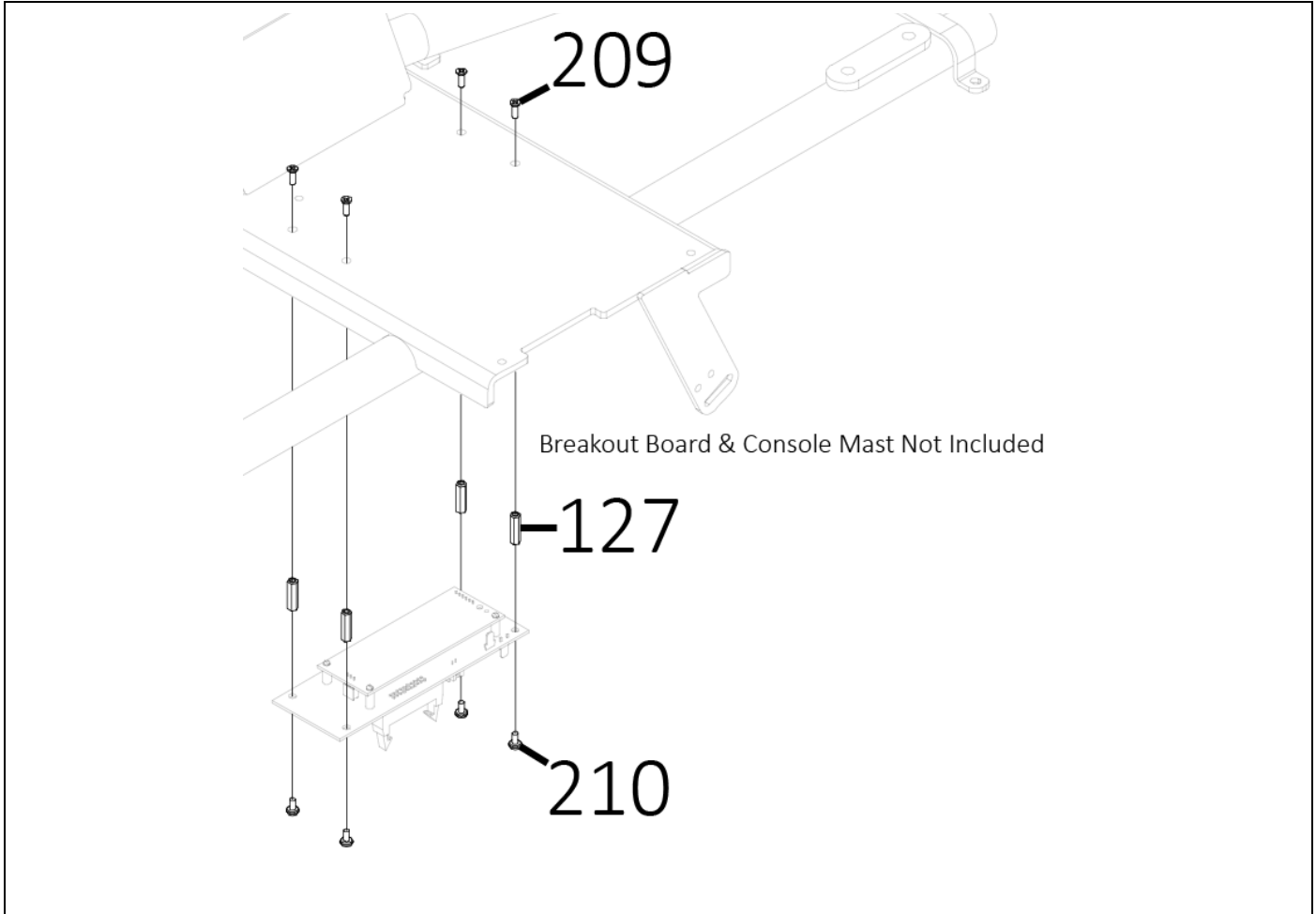


TRUE FITNESS[®]

TRUE PART No: 7TCS0023

Vendor PART No: XXXXX

Breakout Board Mounting Kit

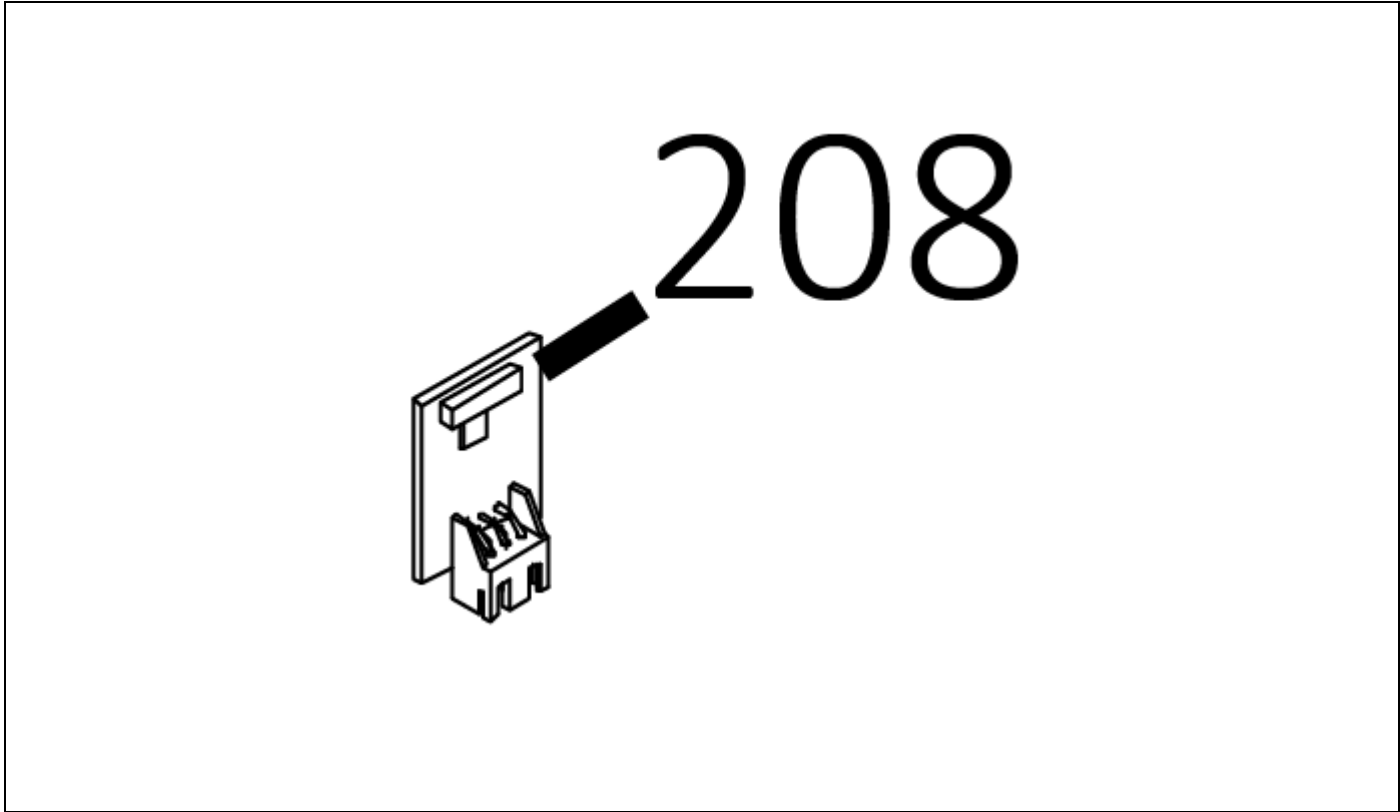


Bill of Material:

Key No:	Vendor Part No.	TRUE Part Number (if applicable)	Description:	Units:	Quantity:
127	SZ-019		Hexagon Brass Insert		4
210	SAA3-6		Bolt M3xP0.5x6		4
209	SHA3-10		Bolt M3xP0.5x10		4



TRUE FITNESS[®]
TRUE PART No: 7TCS0022
Vendor PART No: XXXXX
HR Board Assembly



Bill of Material:

Key No:	Vendor Part No.	TRUE Part Number (if applicable)	Description:	Units:	Quantity:
	XHB-RE07S		Polar Receiver		1
	BAC0200-200-30		Double Sided Tape 20mmx20mmx3.0t		1
208	XL-1537		Polar Telemetry Board		1

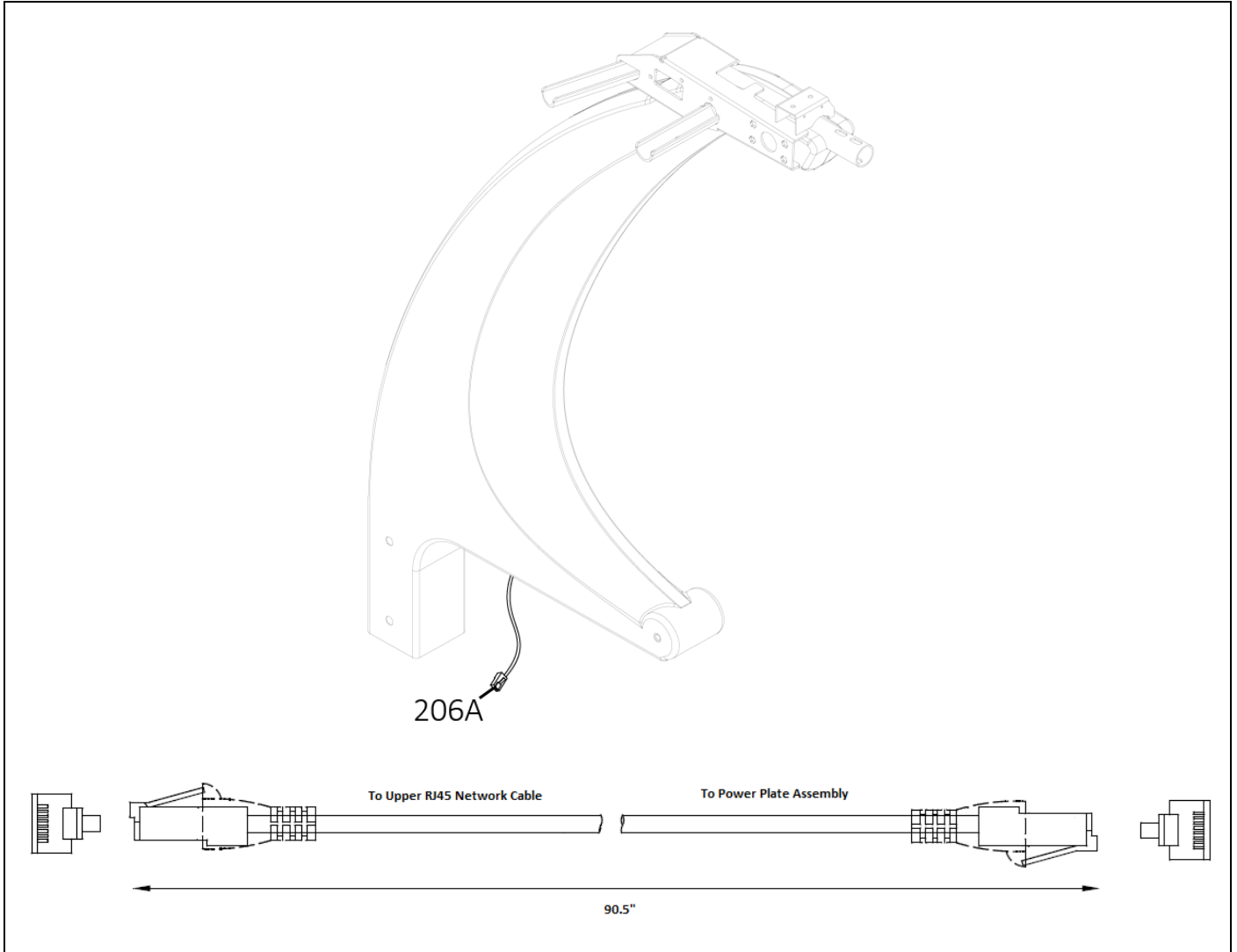


TRUE FITNESS[®]

TRUE PART No: 7TCS0019

Vendor PART No: XL-1552B

Lower RJ45 Network Cable



Bill of Material:

Key No:	Vendor Part No.	TRUE Part Number (if applicable)	Description:	Units:	Quantity:
218A	XL-1552B	7TCS0019	Lower RJ45 Network Cable		1

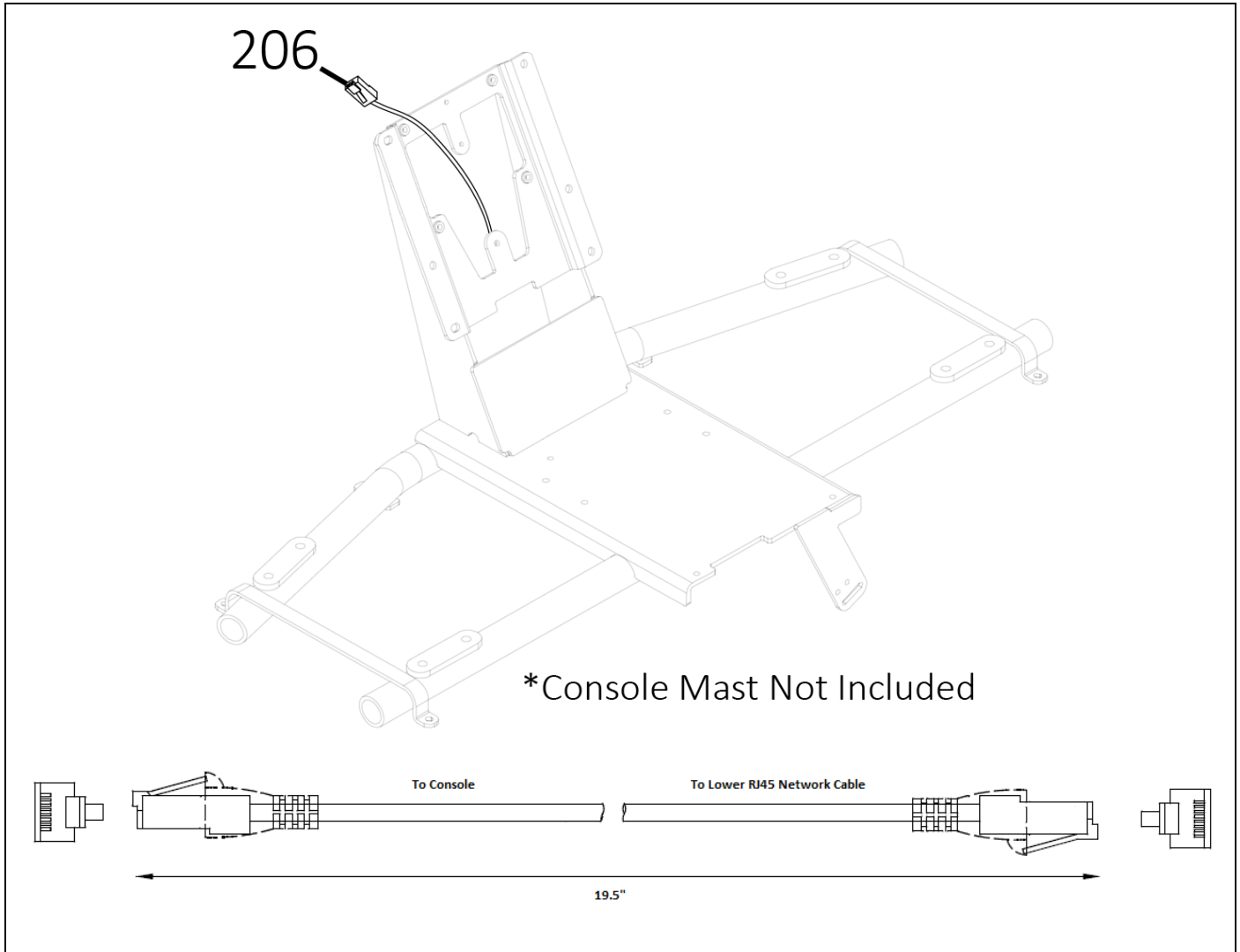


TRUE FITNESS[®]

TRUE PART No: 7TCS0018

Vendor PART No: XL-1541A

Upper RJ45 Network Cable

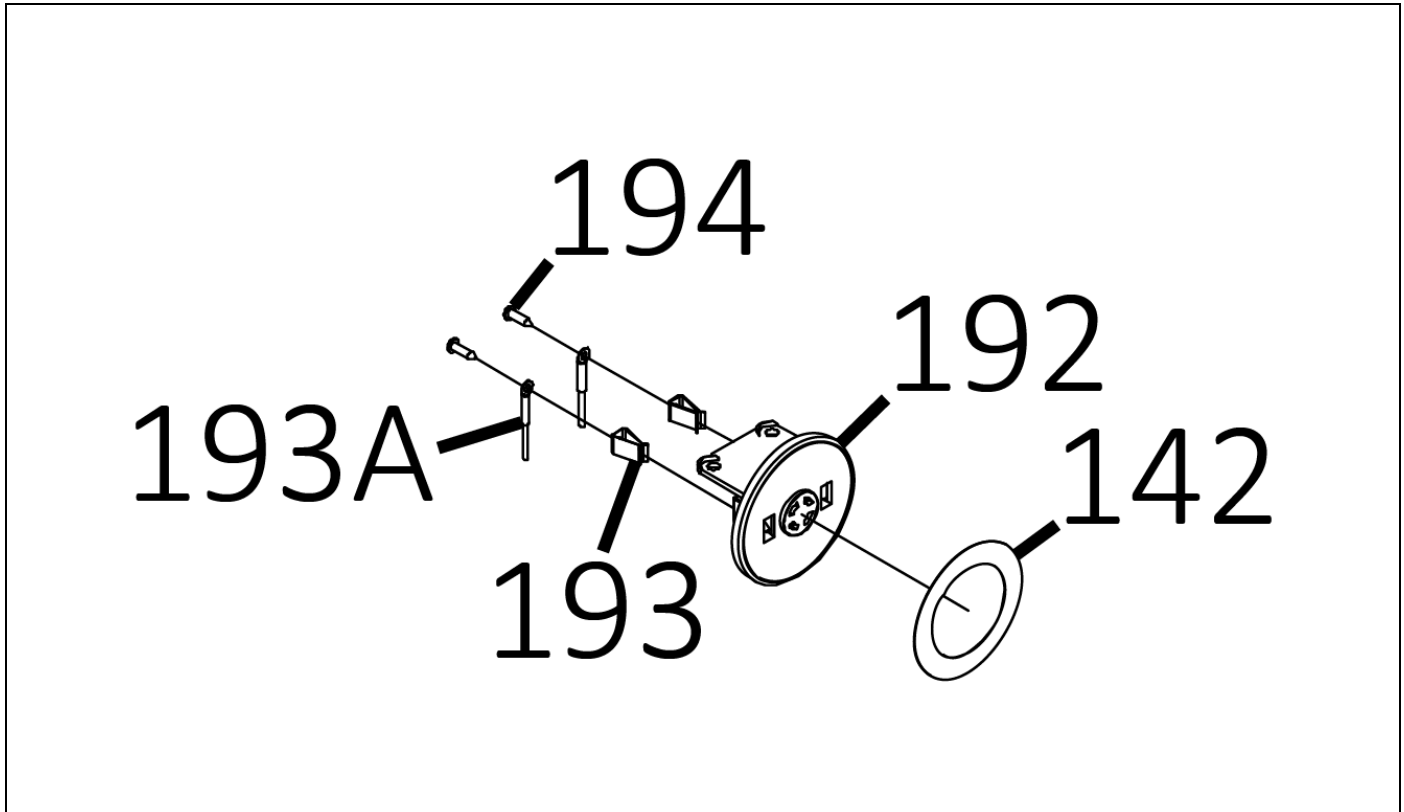


Bill of Material:

Key No:	Vendor Part No.	TRUE Part Number (if applicable)	Description:	Units:	Quantity:
206	XL-1541A	7TCS0018	Upper RJ45 Network Cable		1



TRUE FITNESS®
TRUE PART No: 7TCS0017
Vendor PART No: XXXXXX
Safety Key Inlet Assembly



Bill of Material:

Key No:	Vendor Part No.	TRUE Part Number (if applicable)	Description:	Units:	Quantity:
192	P-3564		Safety Key Holder		1
142	RBA-044		Sticker		1
193	NO-5834		Clip		2
193A	XL-1538		Safety Key Wire		1
194	SAI2-6S		Bolt 3x10		2

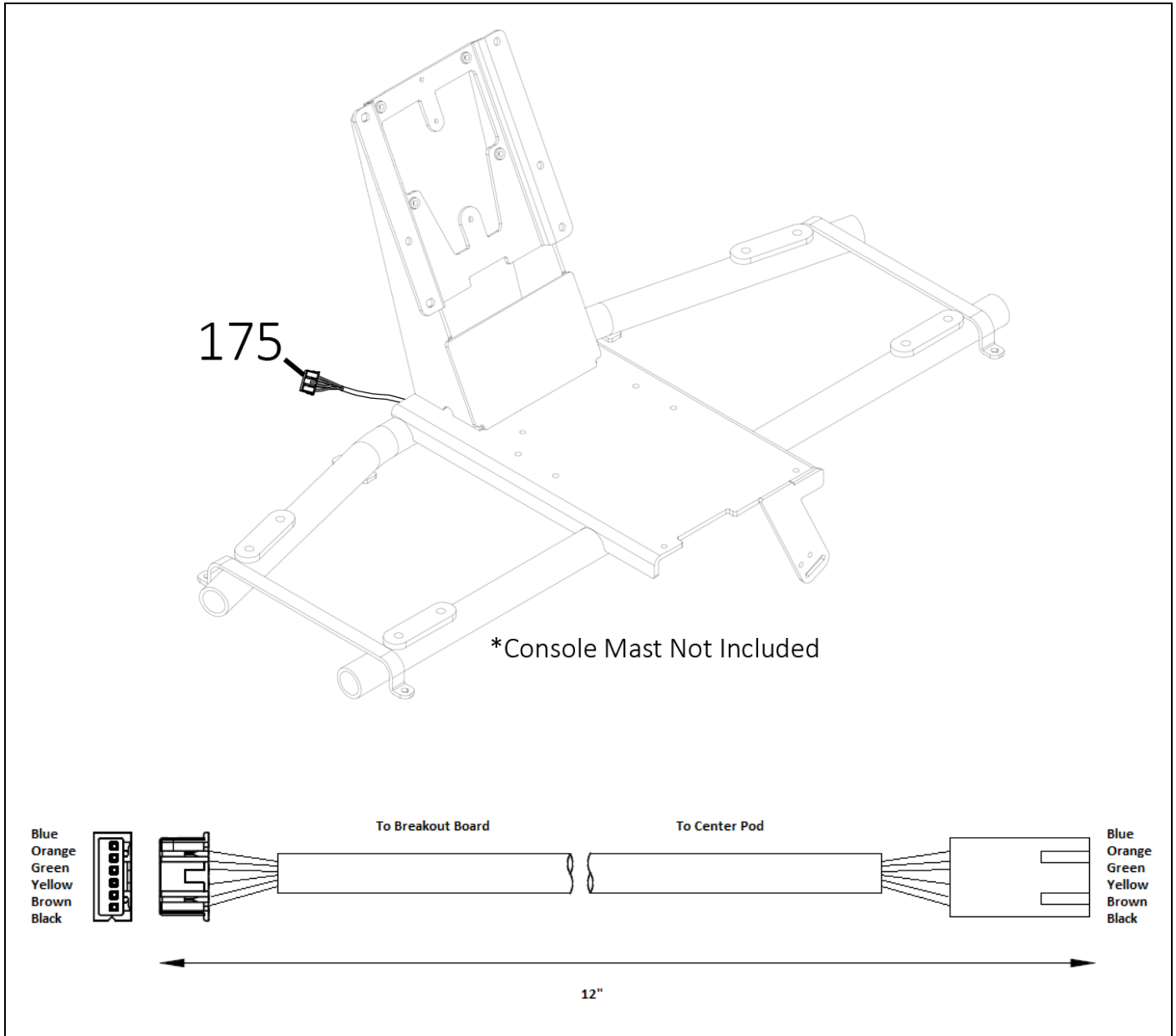


TRUE FITNESS[®]

TRUE PART No: 7TCS0015

Vendor PART No: XL-1539

Membrane Key Wire



Bill of Material:

Key No:	Vendor Part No.	TRUE Part Number (if applicable)	Description:	Units:	Quantity:
175	XL-1539	7TCS0015	Membrane Key Wire		1

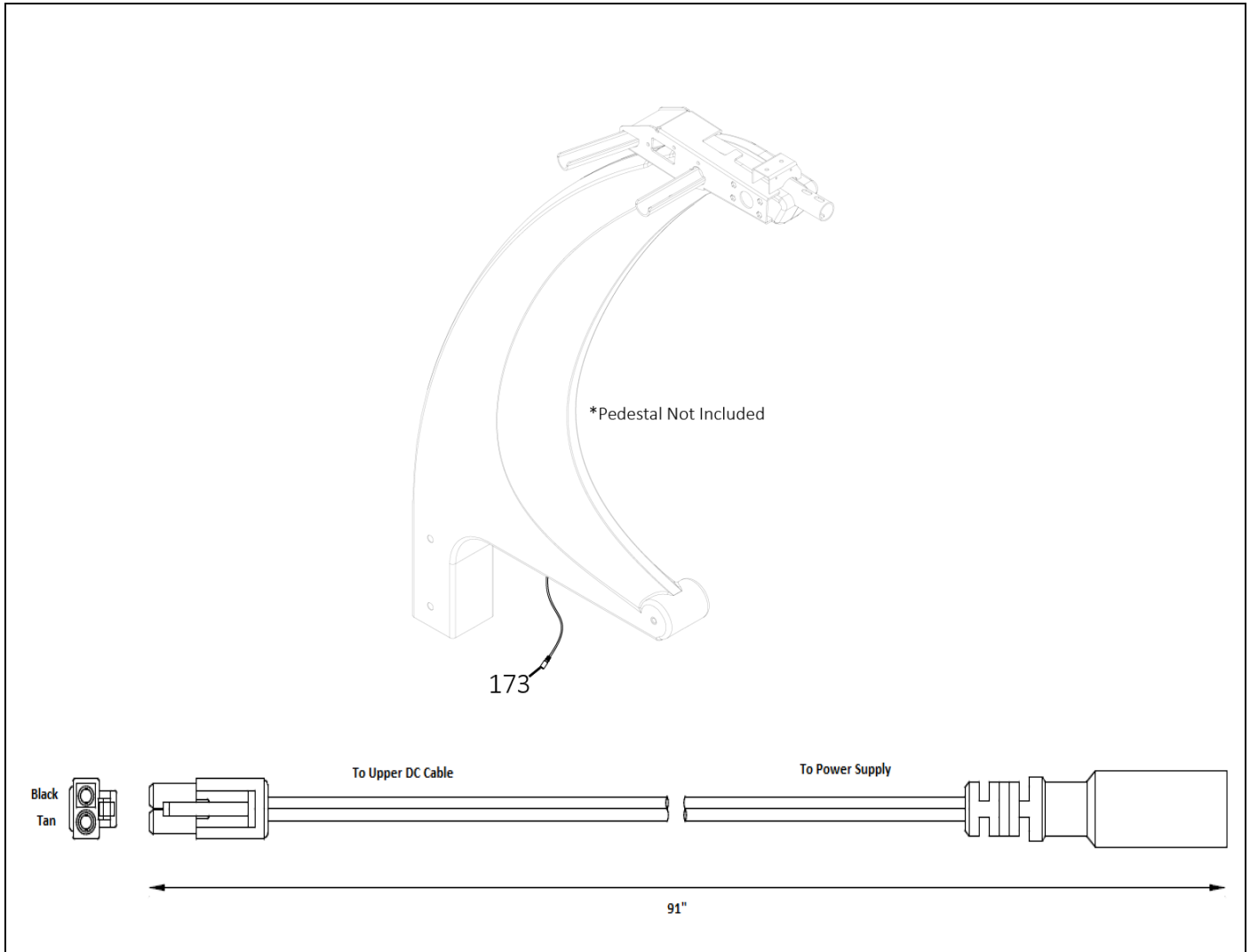


TRUE FITNESS[®]

TRUE PART No: 7TCS0014

Vendor PART No: XL-1532B

External DC Pedestal Extension Lower



Bill of Material:

Key No:	Vendor Part No.	TRUE Part Number (if applicable)	Description:	Units:	Quantity:
173	XL-1532B	7TCS0014	External DC Pedestal Extension Lower		1

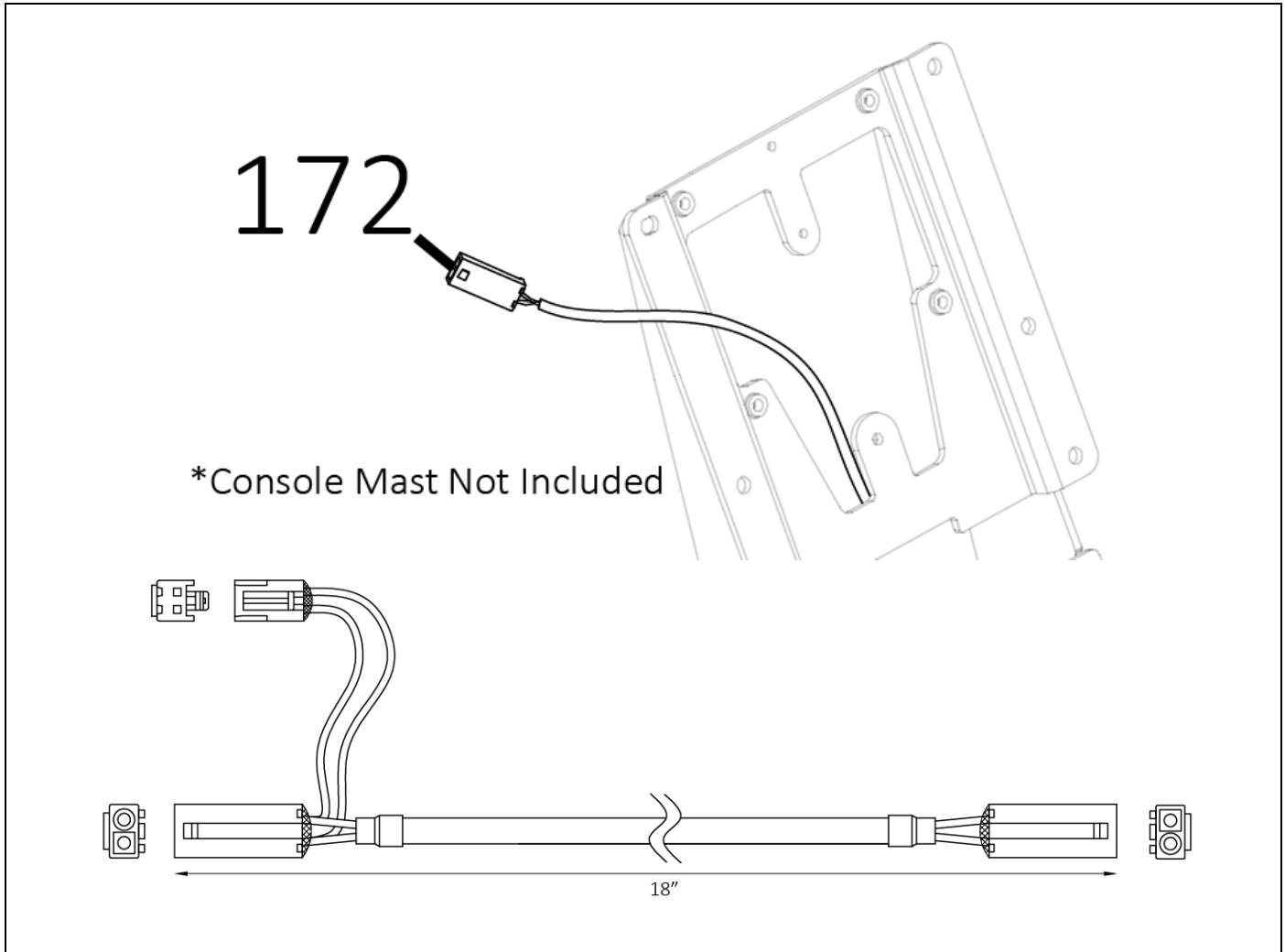


TRUE FITNESS[®]

TRUE PART No: 7TCS0011

Vendor PART No: XL-1532A

Upper External DC Cable



Bill of Material:

Key No:	Vendor Part No.	TRUE Part Number (if applicable)	Description:	Units:	Quantity:
172	XL-1532A	7TCS0011	Upper External DC Cable		1

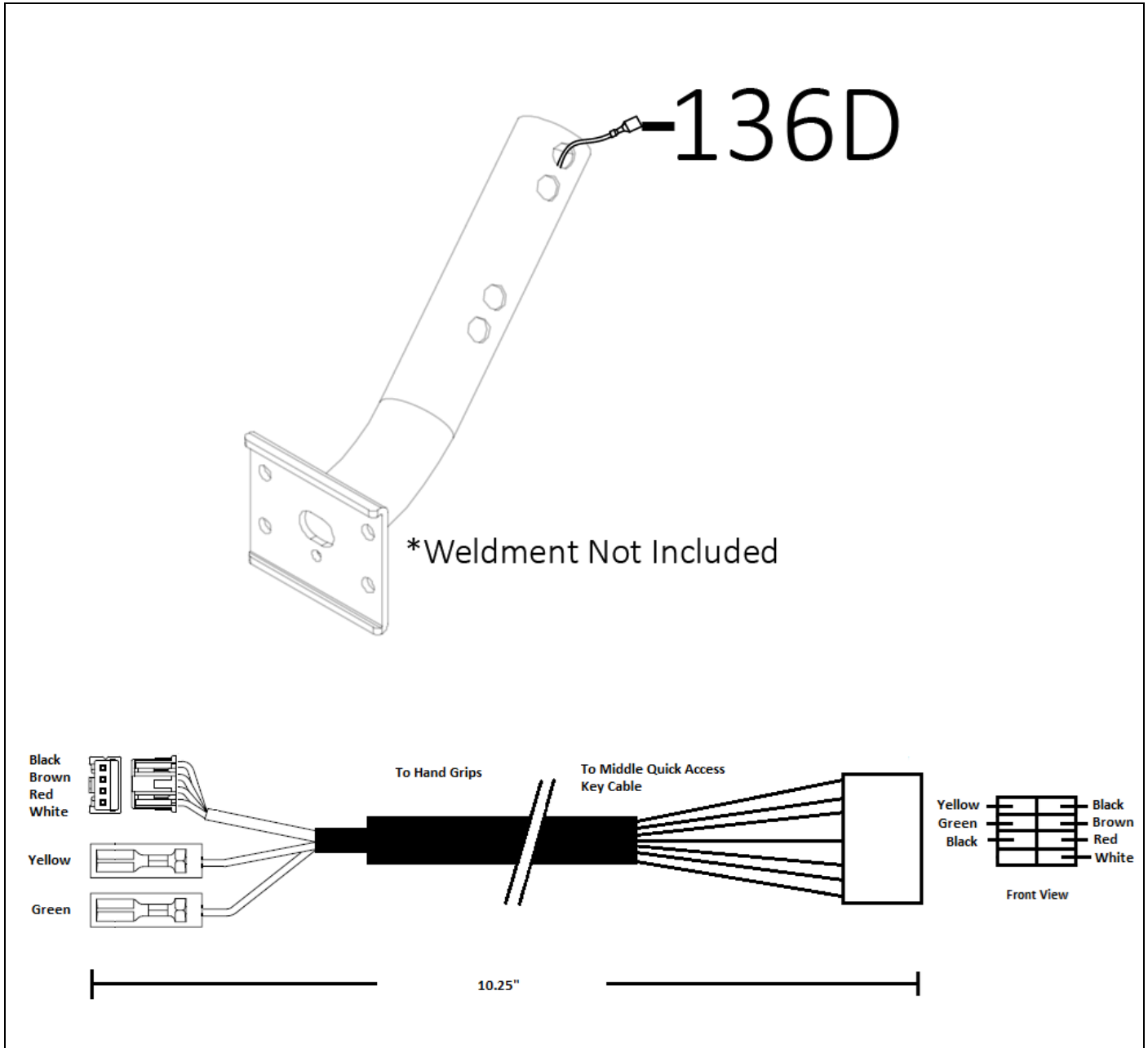


TRUE FITNESS[®]

TRUE PART No: 7TCS0010

Vendor PART No: XL-1535

Upper Quick Access Key Cable w/CHR



Bill of Material:

Key No:	Vendor Part No.	TRUE Part Number (if applicable)	Description:	Units:	Quantity:
136D	XL-1535	7TCS0010	Upper Quick Access Key Cable w/CHR		1

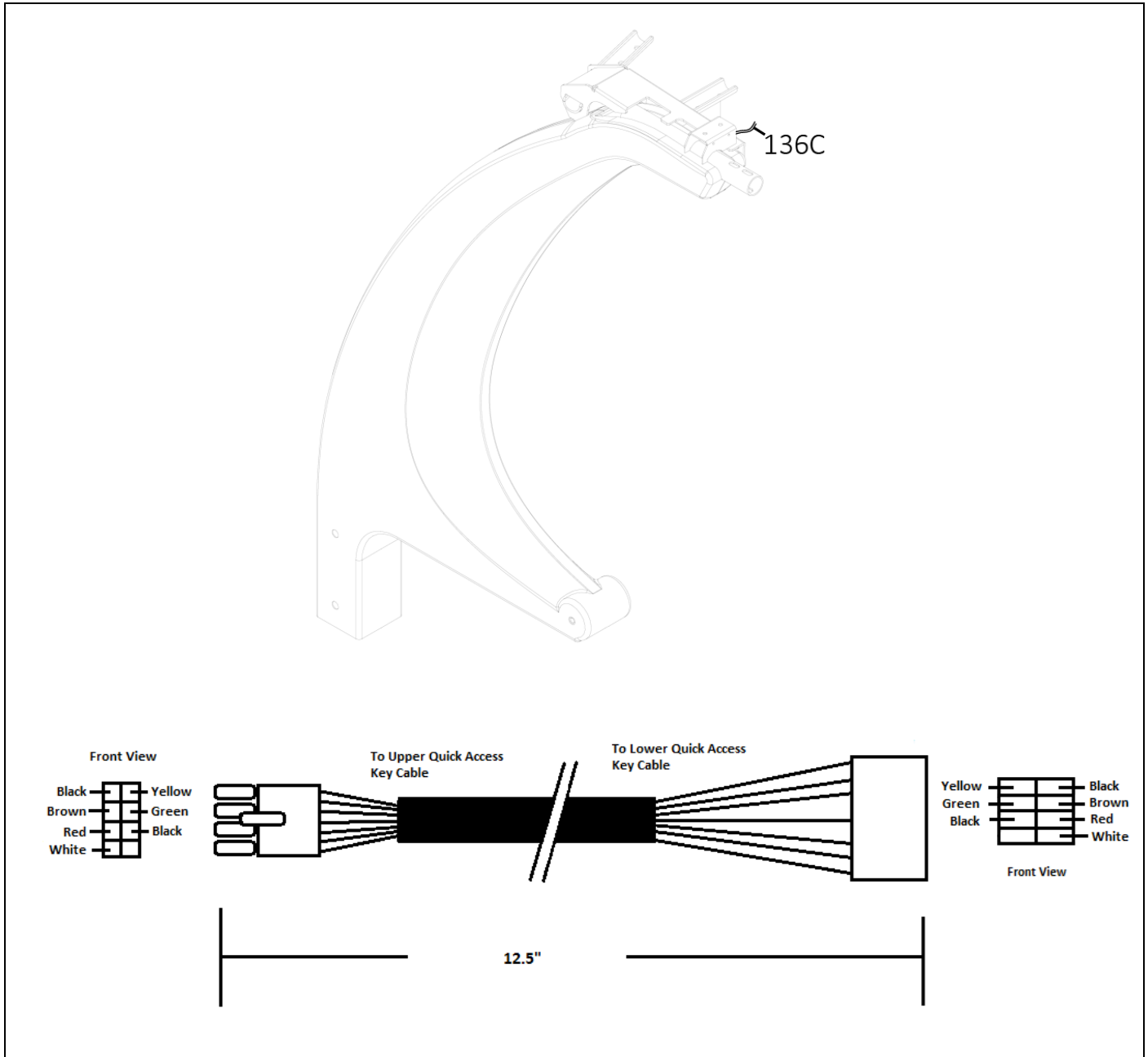


TRUE FITNESS®

TRUE PART No: 7TCS0009

Vendor PART No: XL-1534

Middle Quick Access Key Cable w/CHR



Bill of Material:

Key No:	Vendor Part No.	TRUE Part Number (if applicable)	Description:	Units:	Quantity:
136C	XL-1534	7TCS0009	Middle Quick Access Key Cable w/CHR		2

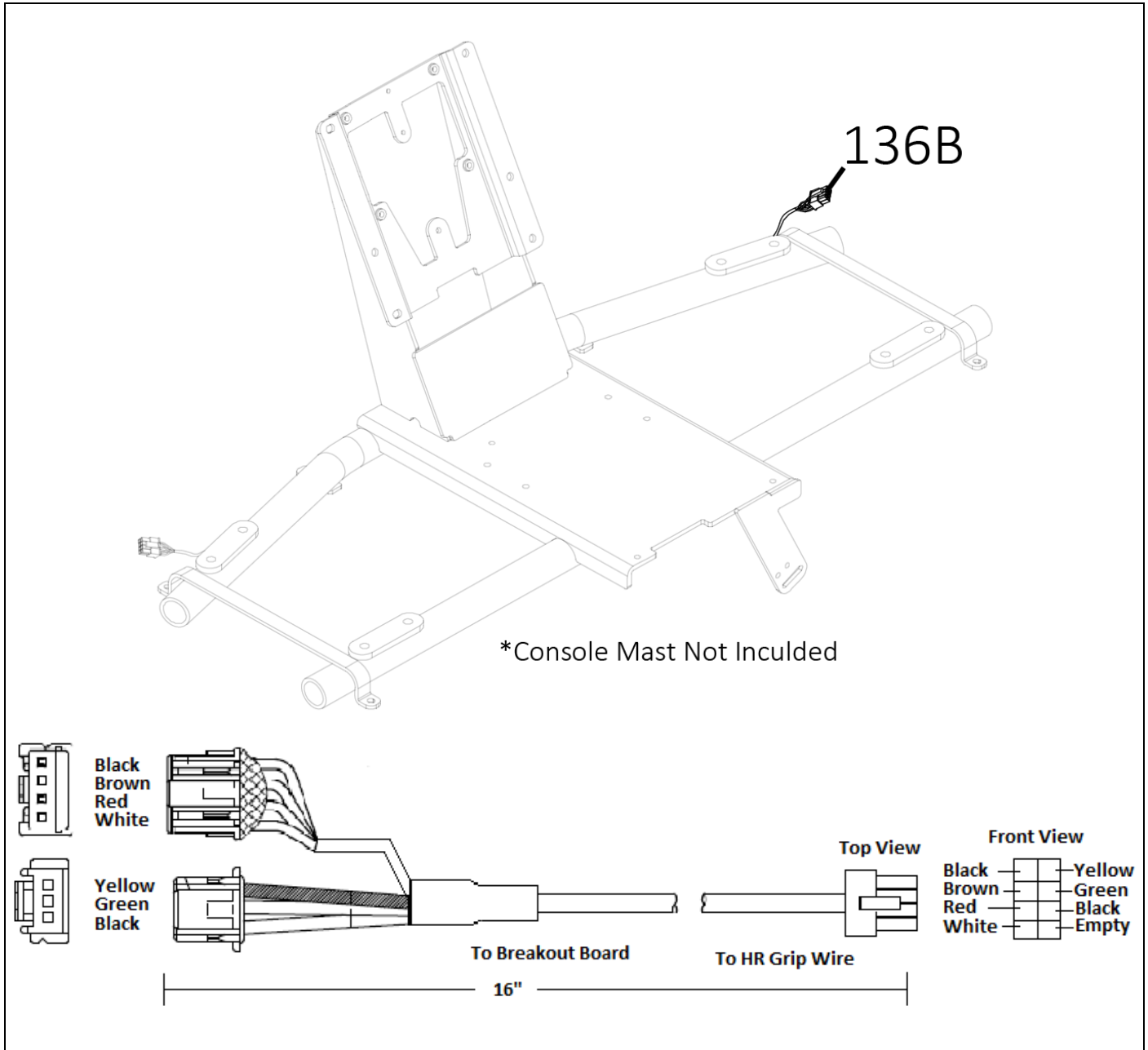


TRUE FITNESS[®]

TRUE PART No: 7TCS0008

Vendor PART No: XL-1536R

CHR Wire-Right (Top)



Bill of Material:

Key No:	Vendor Part No.	TRUE Part Number (if applicable)	Description:	Units:	Quantity:
136B	XL-1536R	7TCS0008	CHR Wire-Right (Top)		1

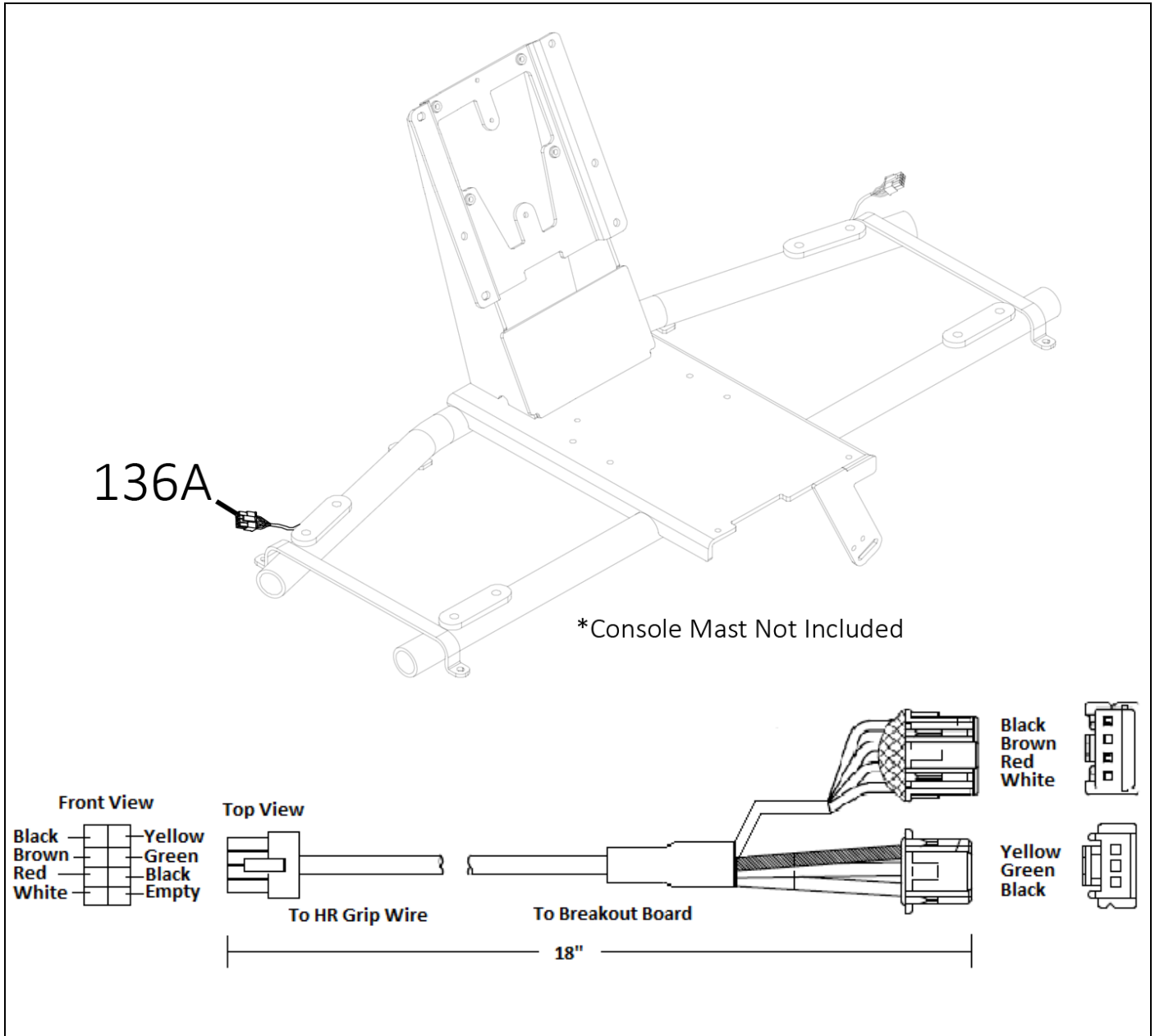


TRUE FITNESS[®]

TRUE PART No: 7TCS0007

Vendor PART No: XL-1536L

CHR Wire-Left (Top)

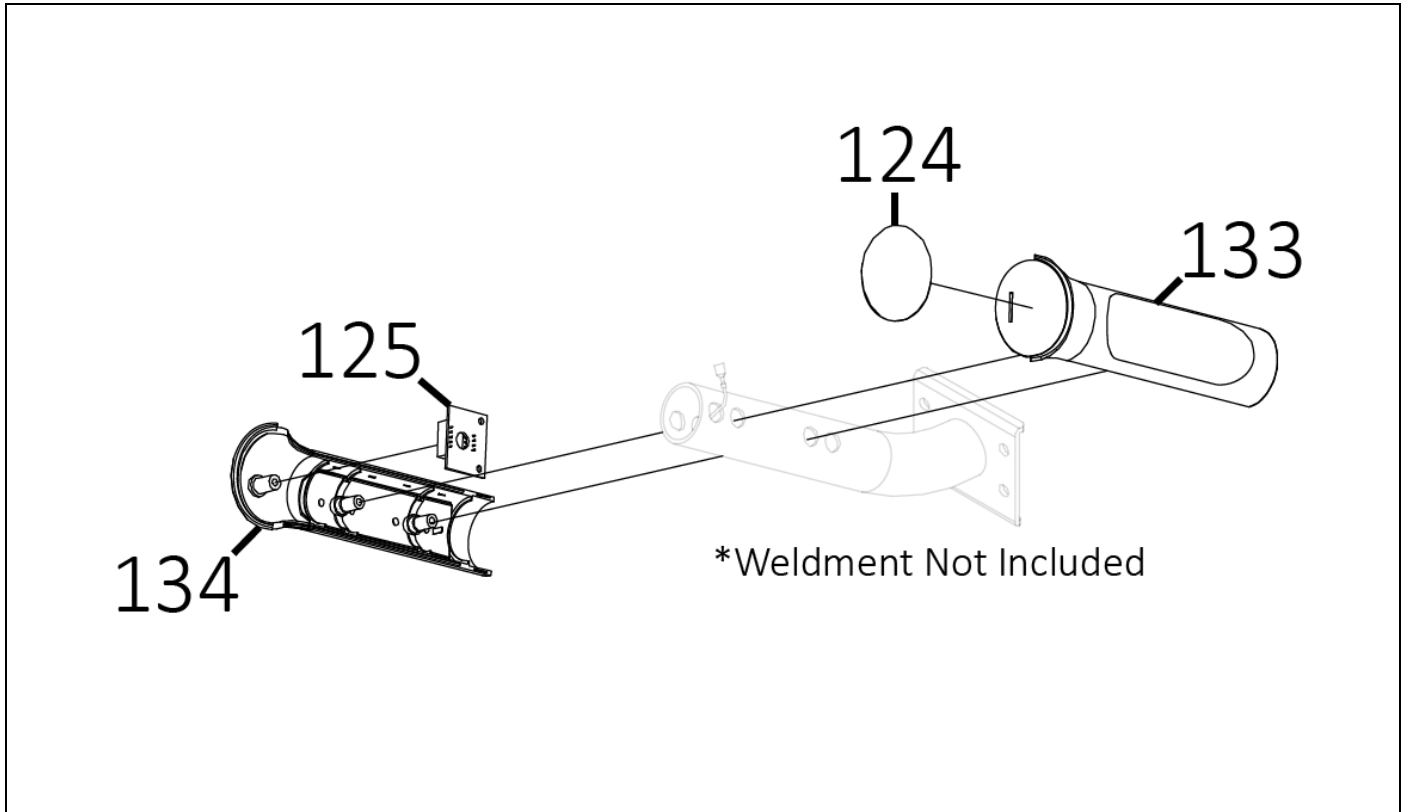


Bill of Material:

Key No:	Vendor Part No.	TRUE Part Number (if applicable)	Description:	Units:	Quantity:
136A	XL-1536L	7TCS0007	CHR Wire-Left (Top)		1



TRUE FITNESS®
TRUE PART No: 7TCS0006
Vendor PART No: XXXXX
Contact HR Assy, Right

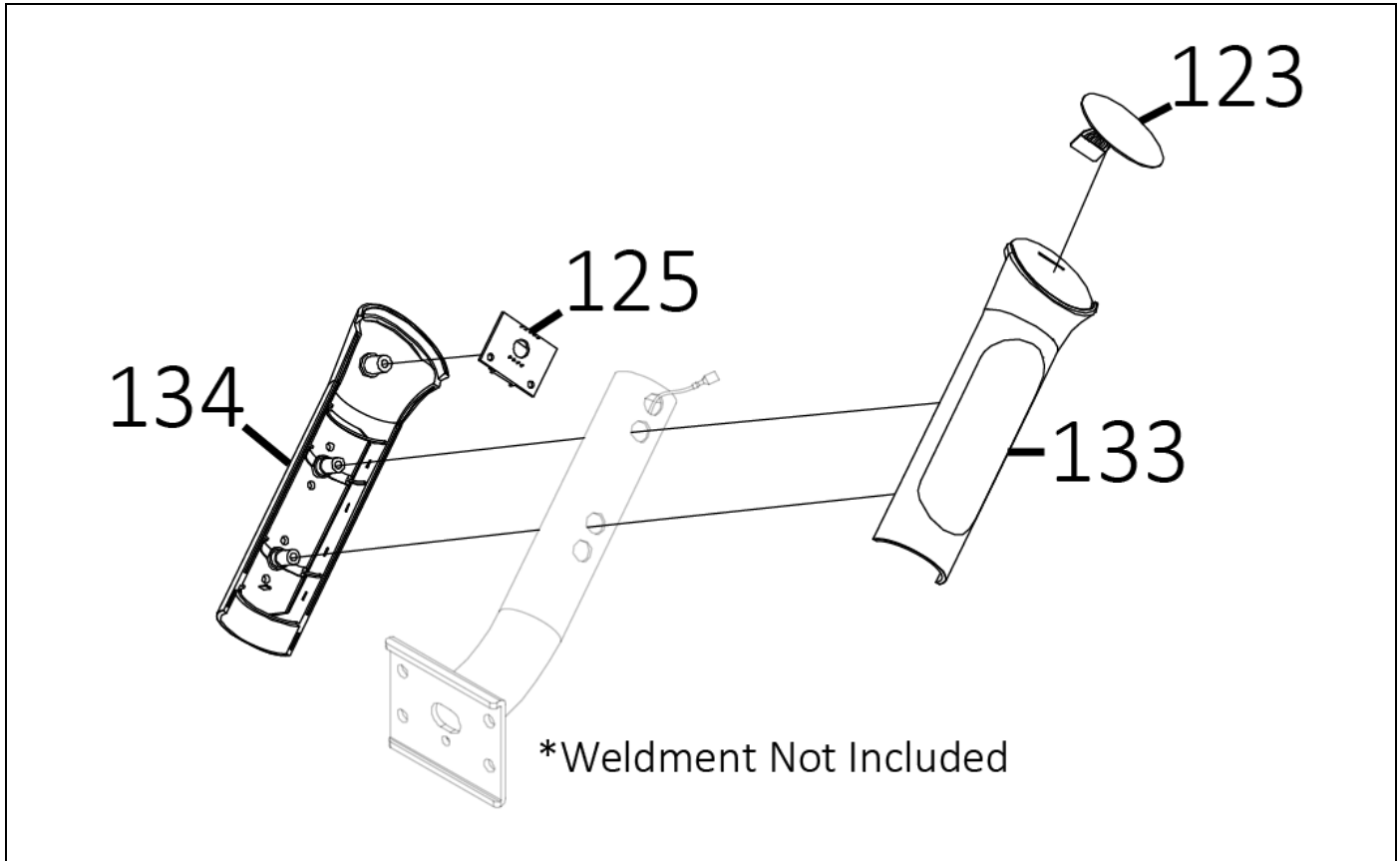


Bill of Material:

Key No:	Vendor Part No.	TRUE Part Number (if applicable)	Description:	Units:	Quantity:
133	P-3552		CHR Plastic Top		1
134	P-3553		CHR Plastic Bottom		1
125	XEK-289		CHR Grip Board		1
124	RD-02-0006		Click Touch Thumbswitch (Right) Speed		1



TRUE FITNESS®
TRUE PART No: 7TCS0005
Vendor PART No: XXXXX
Contact HR Assy, Left

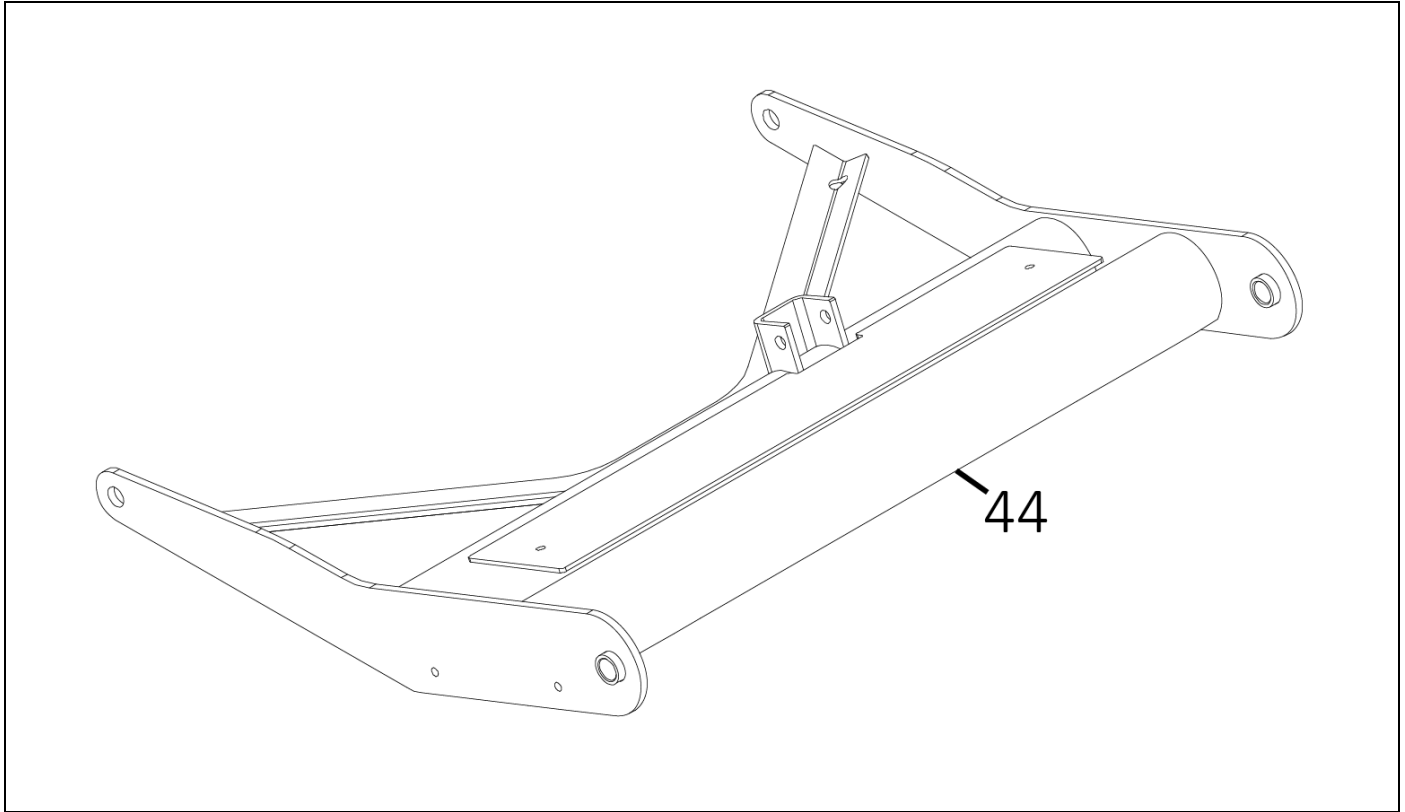


Bill of Material:

Key No:	Vendor Part No.	TRUE Part Number (if applicable)	Description:	Units:	Quantity:
133	P-3552		CHR Plastic Top		1
134	P-3553		CHR Plastic Bottom		1
125	XEK-289		CHR Grip Board		1
123	RD-02-0005		Click Touch Thumbswitch (Left) Incline		1



TRUE FITNESS[®]
TRUE PART No: 7C464900
Vendor PART No: N/A
Incline Rack

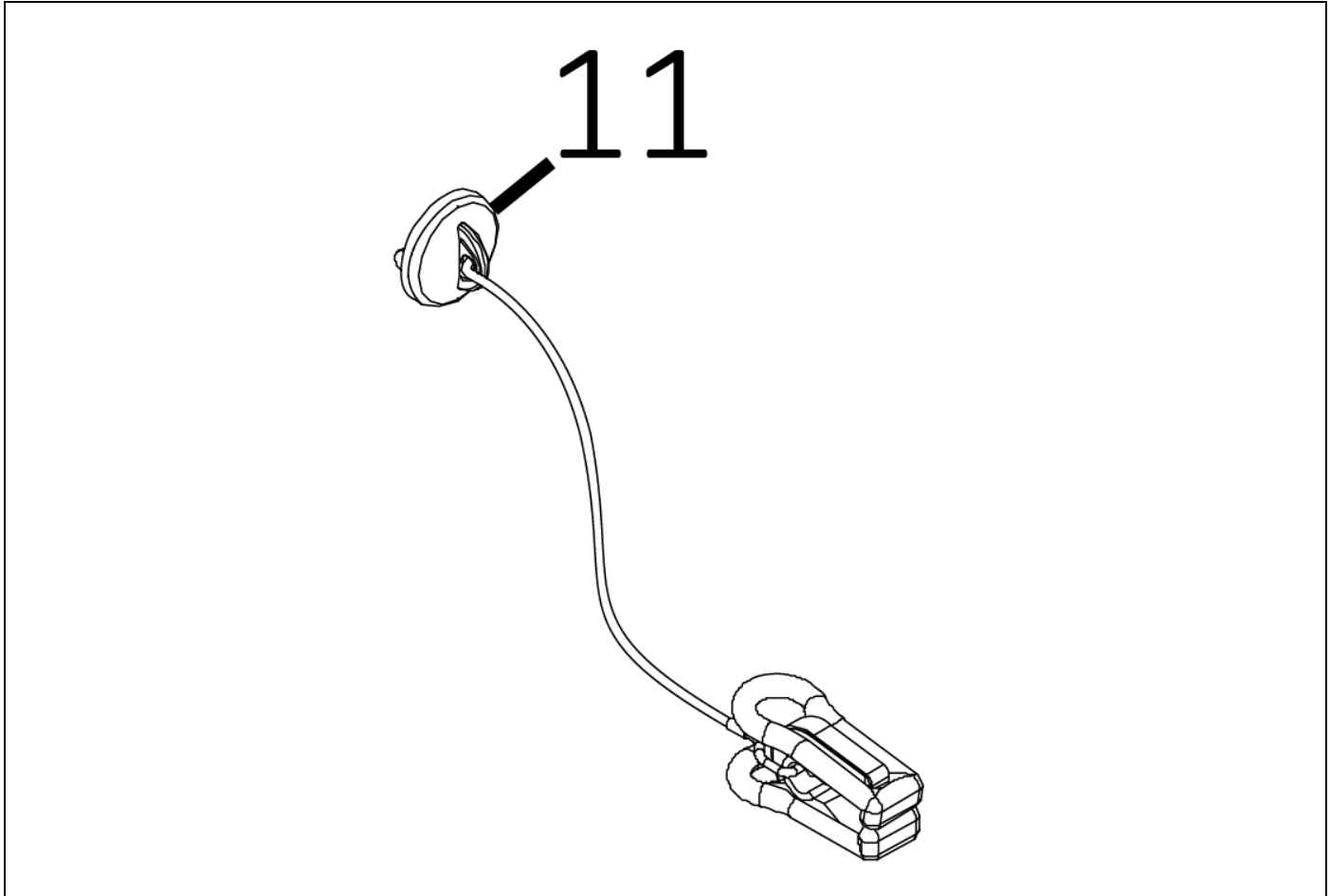


Bill of Material:

Key No:	Vendor Part No.	TRUE Part Number (if applicable)	Description:	Units:	Quantity:
44	N/A	7C464900	Incline Rack		1



TRUE FITNESS[®]
TRUE PART No: 7TCS0001
Vendor PART No: **HTHA006**
Safety Key

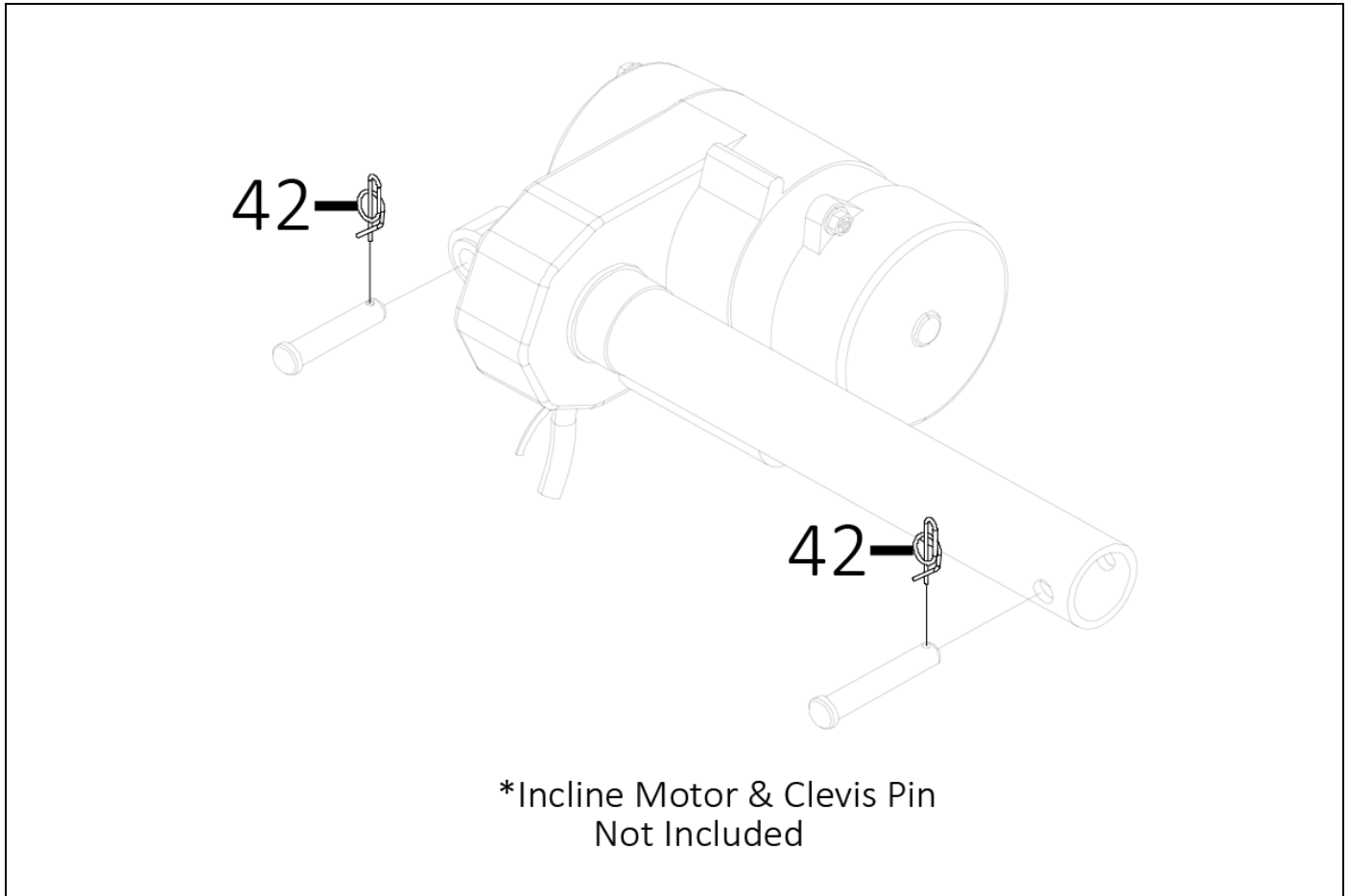


Bill of Material:

Key No:	Vendor Part No.	TRUE Part Number (if applicable)	Description:	Units:	Quantity:
11	HTHA006	7TCS0001	Safety Key		1



TRUE FITNESS[®]
TRUE PART No: 7R498800
Vendor PART No: SK-512
3/8" Cotter Pin



Bill of Material:

Key No:	Vendor Part No.	TRUE Part Number (if applicable)	Description:	Units:	Quantity:
42	SK-514	7R498800	Cotter Pin, Ruering Pivot Point 3/8"		2

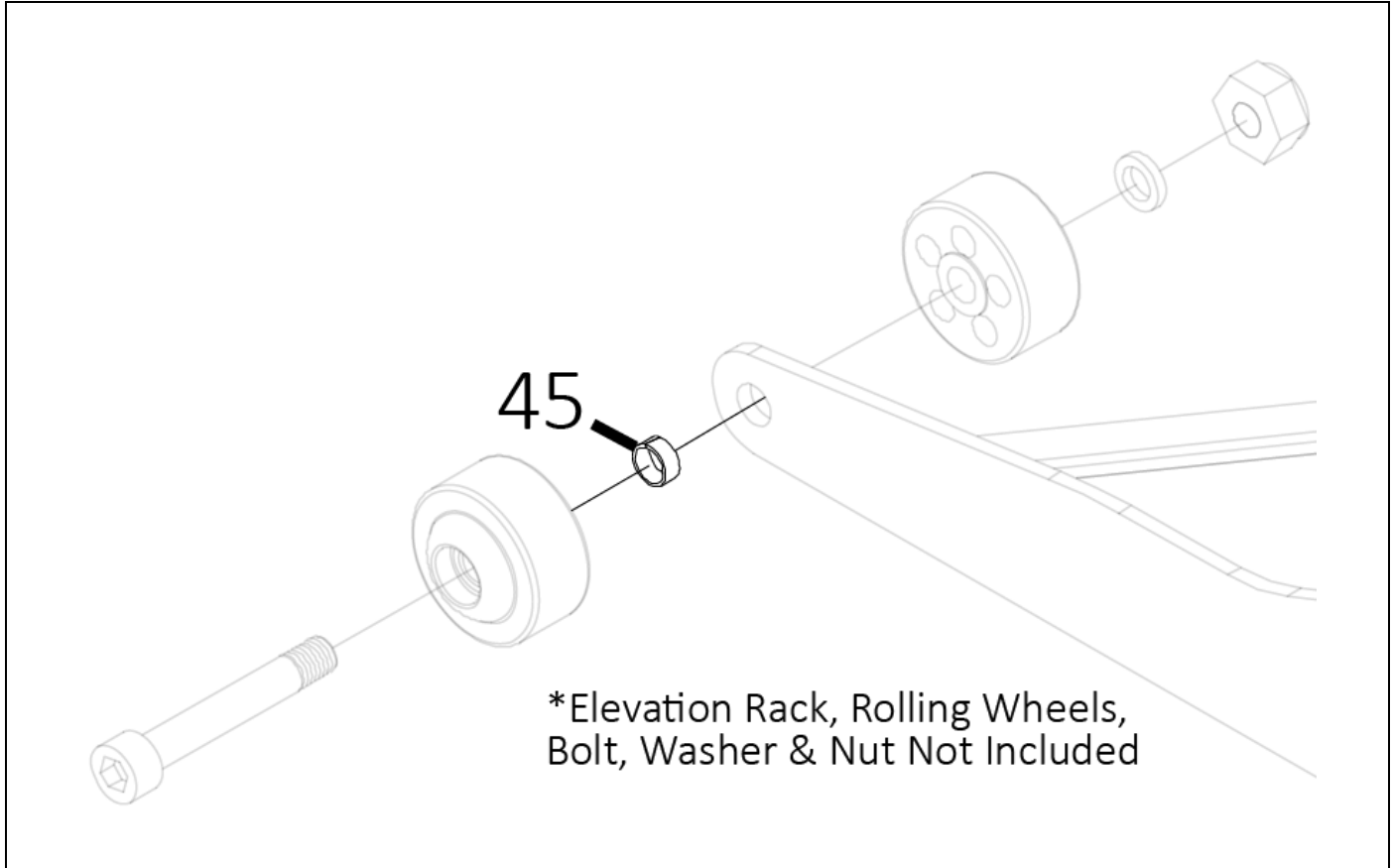


TRUE FITNESS[®]

TRUE PART No: 7R498600

Vendor PART No: **GH-072-001**

Slim Bearing 19/32 x 1/2 x 1/4

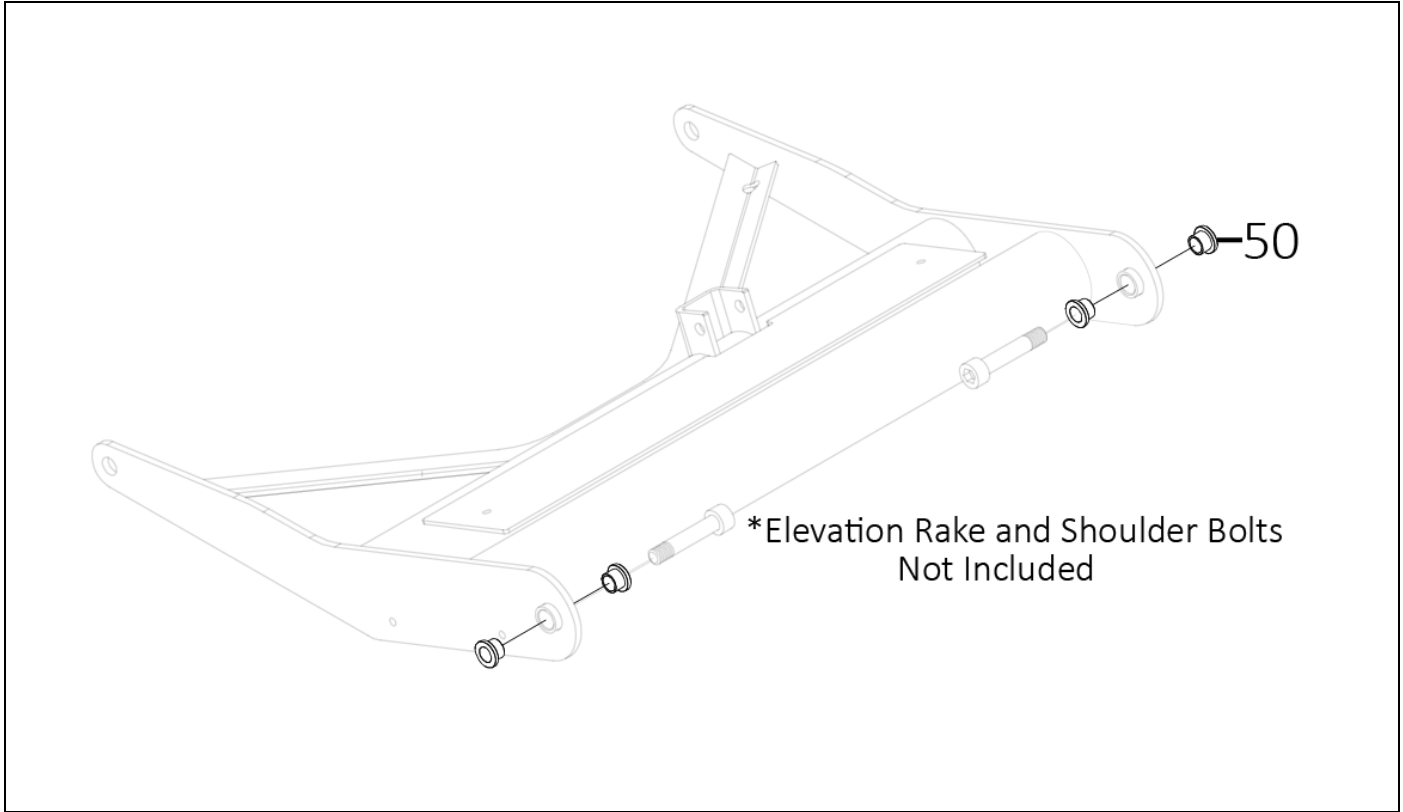


Bill of Material:

Key No:	Vendor Part No.	TRUE Part Number (if applicable)	Description:	Units:	Quantity:
45	GH-072-001	7R498600	Slim Bearing 19/32 x 1/2 x 1/4 Peer		2



TRUE FITNESS[®]
TRUE PART No: 7R498500
Vendor PART No: NT-2138
Oilite Flanged Bearing

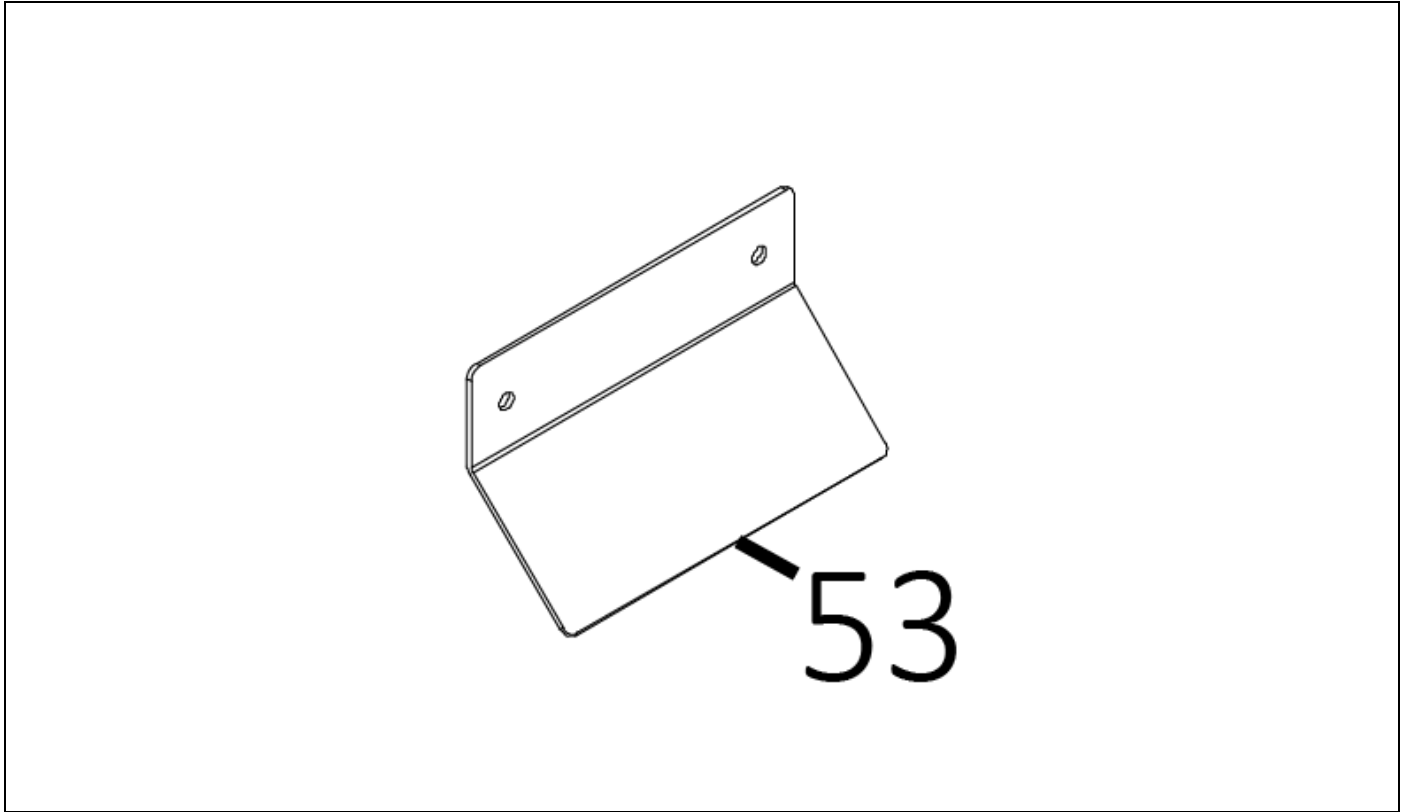


Bill of Material:

Key No:	Vendor Part No.	TRUE Part Number (if applicable)	Description:	Units:	Quantity:
50	NT-2138	7R498500	Oilite Flanged Bearing		4



TRUE FITNESS[®]
TRUE PART No: 7R482700
Vendor PART No: **NO-4243**
Motor Pan Water Shield

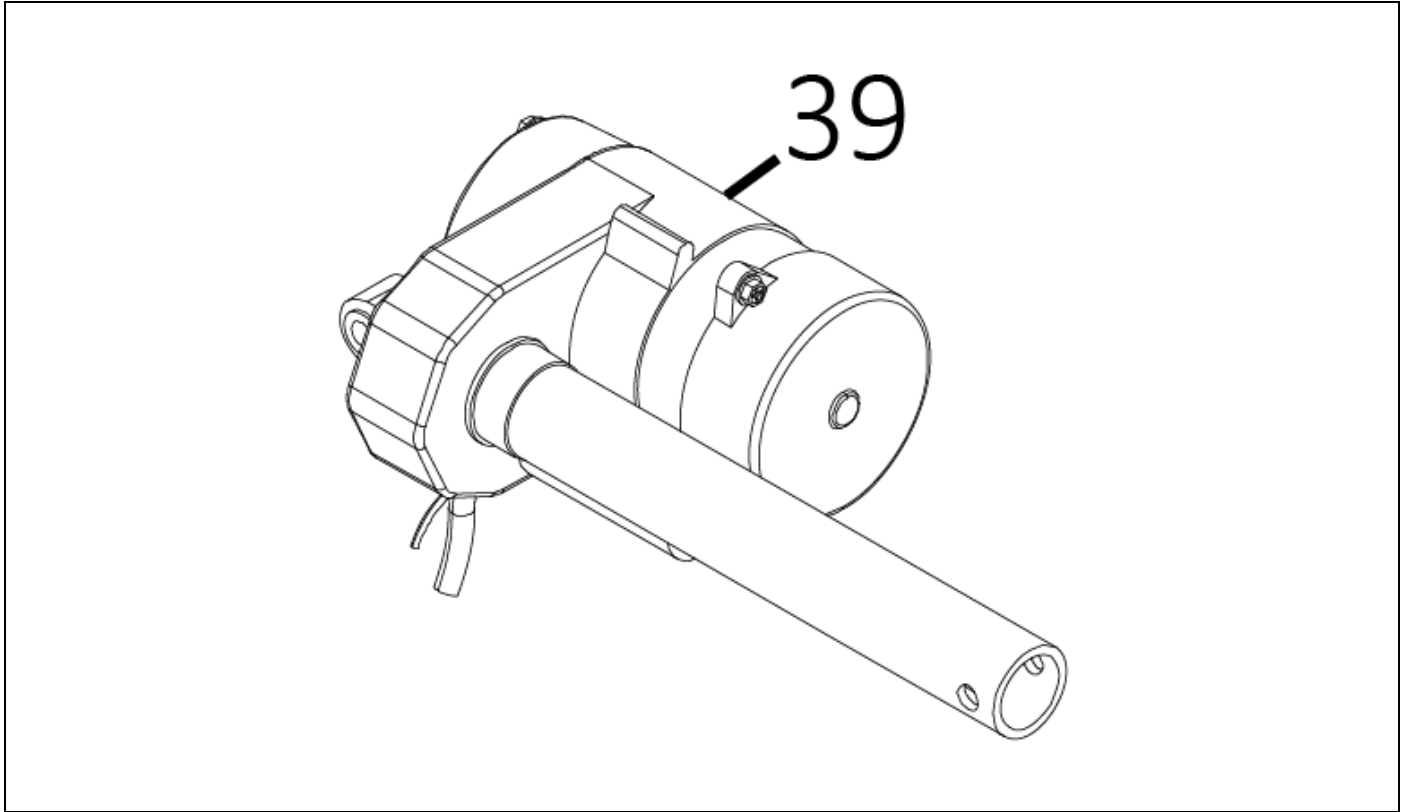


Bill of Material:

Key No:	Vendor Part No.	TRUE Part Number (if applicable)	Description:	Units:	Quantity:
53	NO-4243	7R482700	Motor Pan Water Shield		1



TRUE FITNESS[®]
TRUE PART No: 7R480800
Vendor PART No: XM-247A
Incline Motor

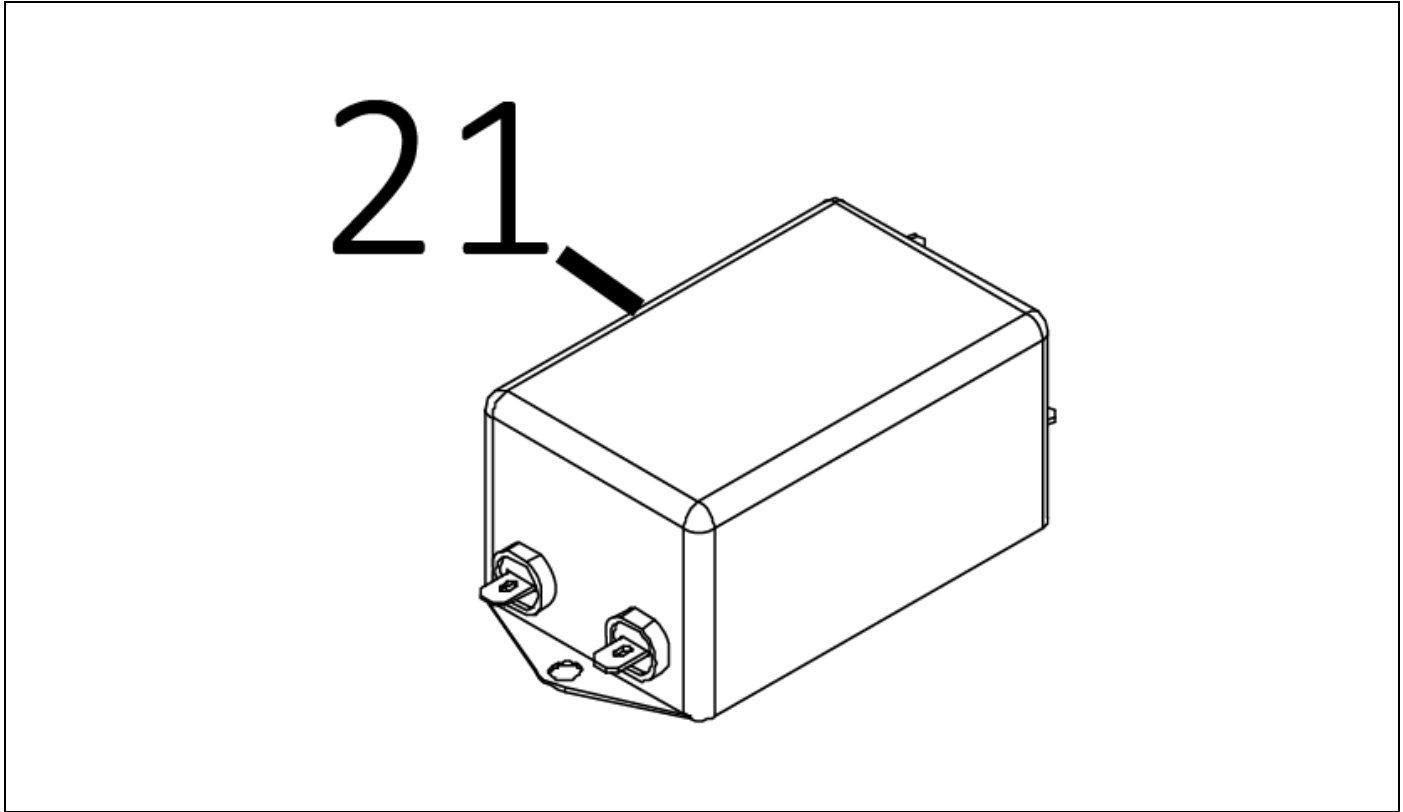


Bill of Material:

Key No:	Vendor Part No.	TRUE Part Number (if applicable)	Description:	Units:	Quantity:
39	XM-247A	7R480800	Incline Motor 120V		1



TRUE FITNESS[®]
TRUE PART No: 7EST0008
Vendor PART No: XEB-011
Line Filter

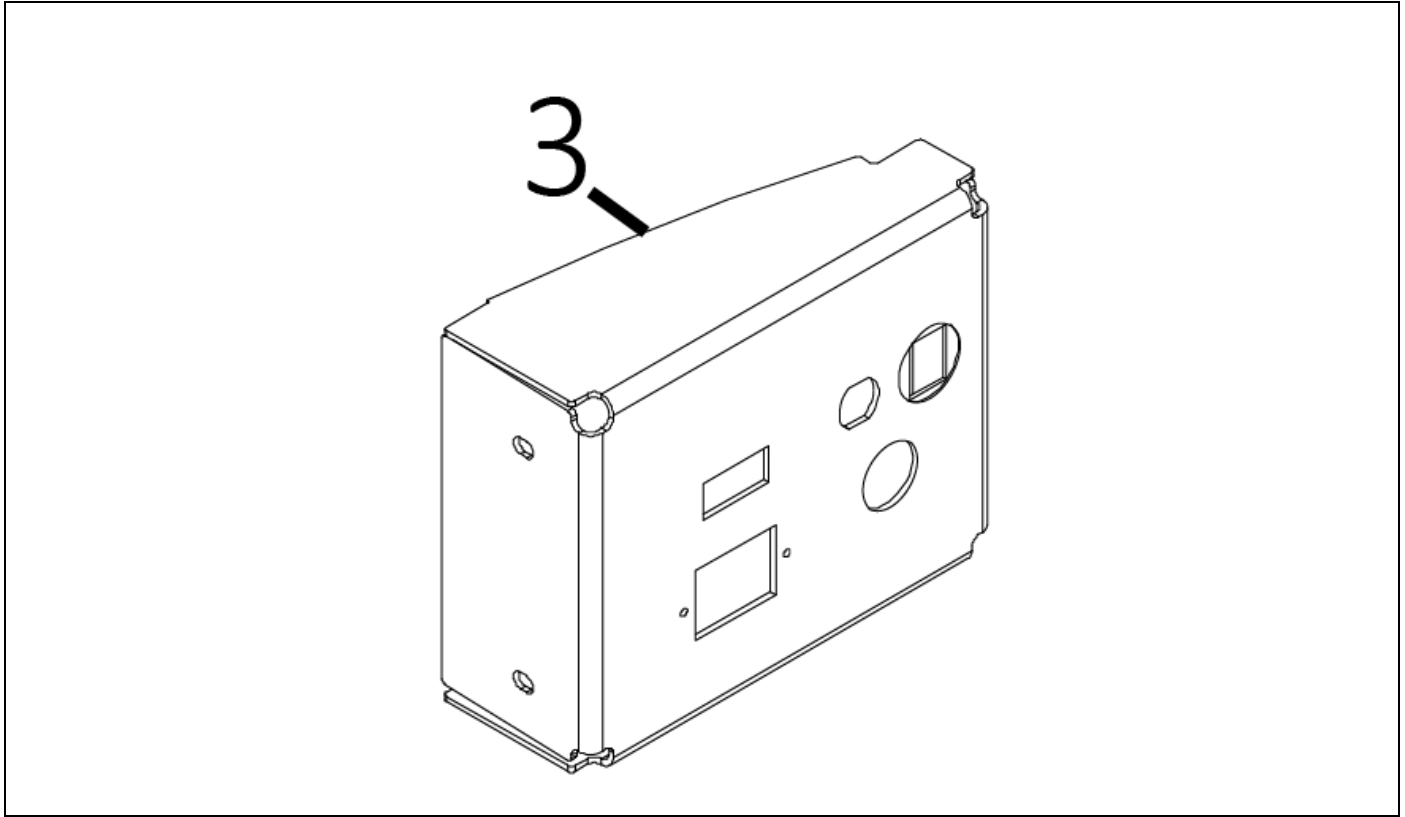


Bill of Material:

Key No:	Vendor Part No.	TRUE Part Number (if applicable)	Description:	Units:	Quantity:
21	XEB-011	7EST0008	Line Filter XEB-011		1



TRUE FITNESS[®]
TRUE PART No: 7CT8005
Vendor PART No: **NO-4240B**
Power Inlet Box

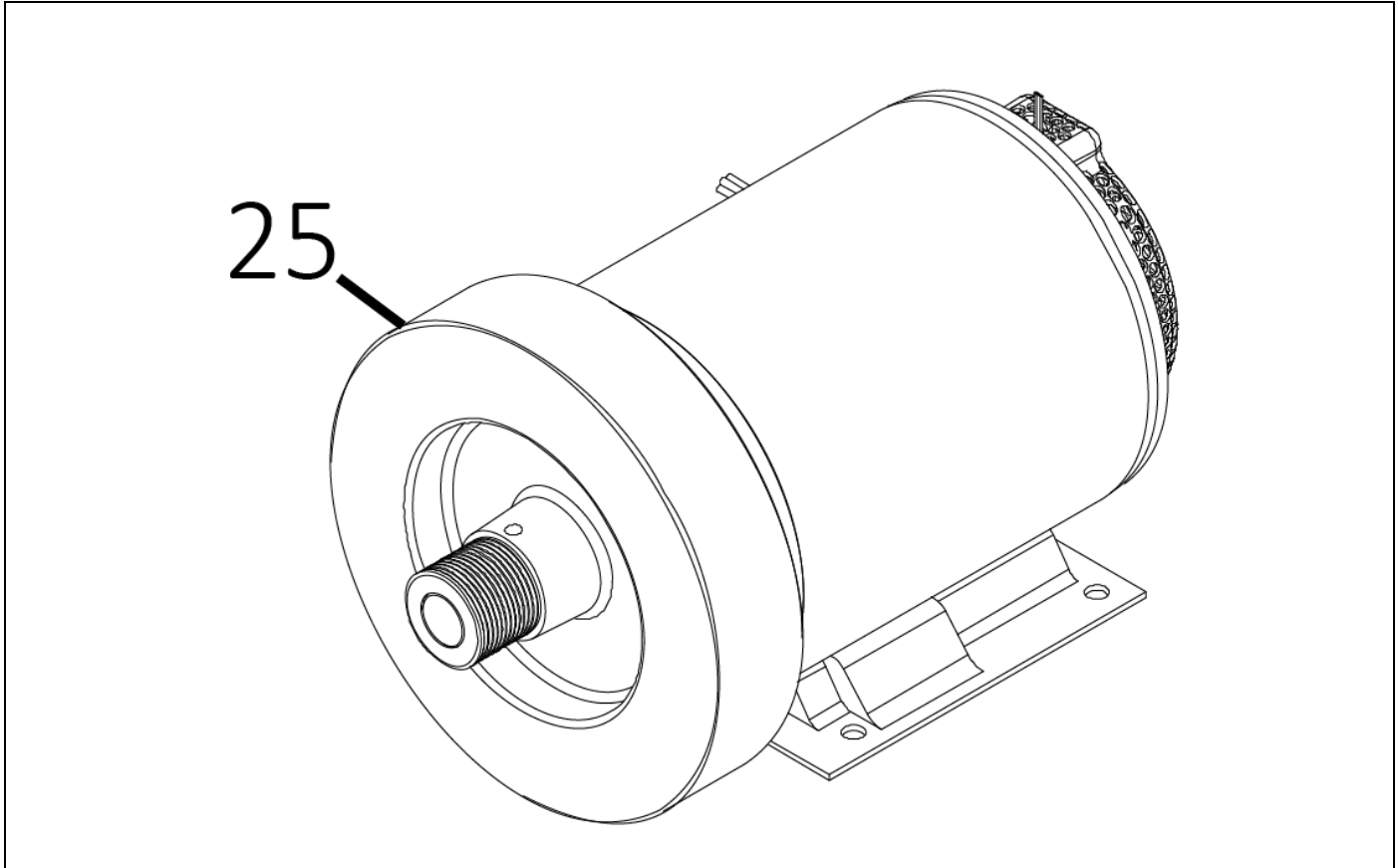


Bill of Material:

Key No:	Vendor Part No.	TRUE Part Number (if applicable)	Description:	Units:	Quantity:
3	NO-4240B	7CT8005	Power Inlet Box, NO-4240B		1



TRUE FITNESS[®]
TRUE PART No: 7CT8001
Vendor PART No: XM-269
Drive Motor



Bill of Material:

Key No:	Vendor Part No.	TRUE Part Number (if applicable)	Description:	Units:	Quantity:
25	XM-269	7CT8001	Drive Motor		1

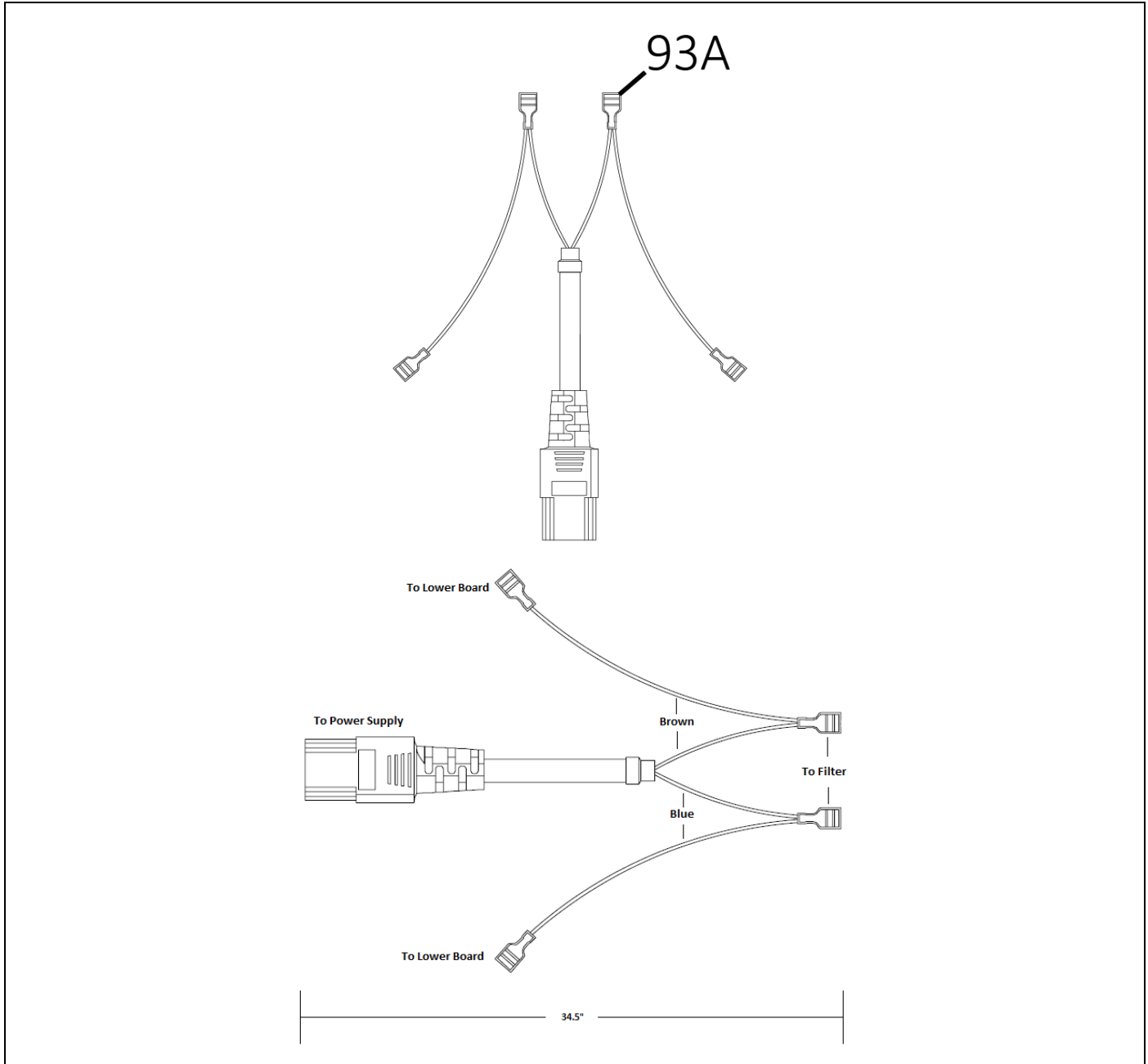


TRUE FITNESS[®]

TRUE PART No: 7CT0076

Vendor PART No: **XL- 873**

Adapter Power Line Input 120V Cable

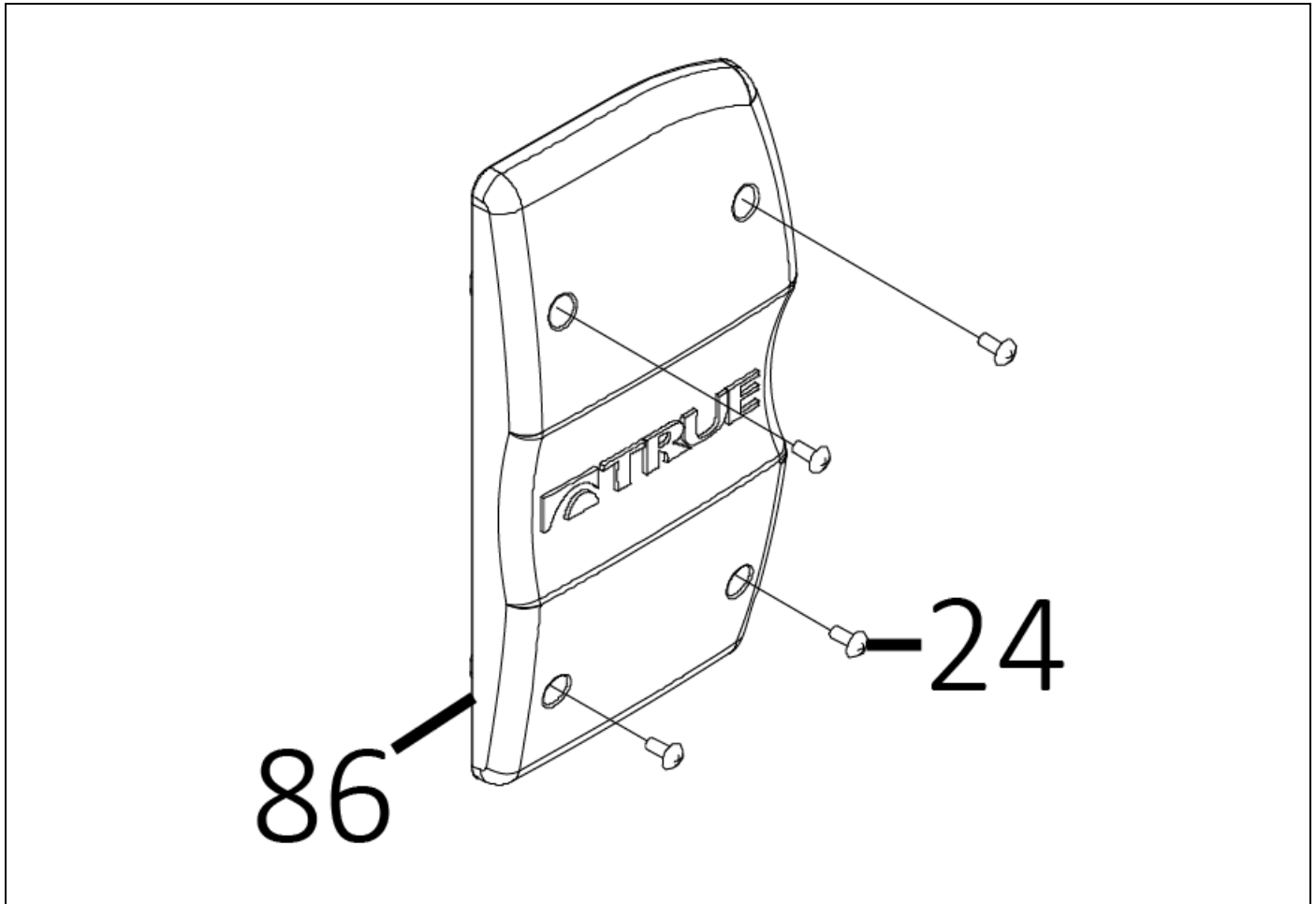


Bill of Material:

Key No:	Vendor Part No.	TRUE Part Number (if applicable)	Description:	Units:	Quantity:
93A	XL-873	7CT0076	Adapter Power Line Input 120V Cable		1



TRUE FITNESS[®]
TRUE PART No: 7CT0042
Vendor PART No: P-2525R
Rear Roller Cover (Right)

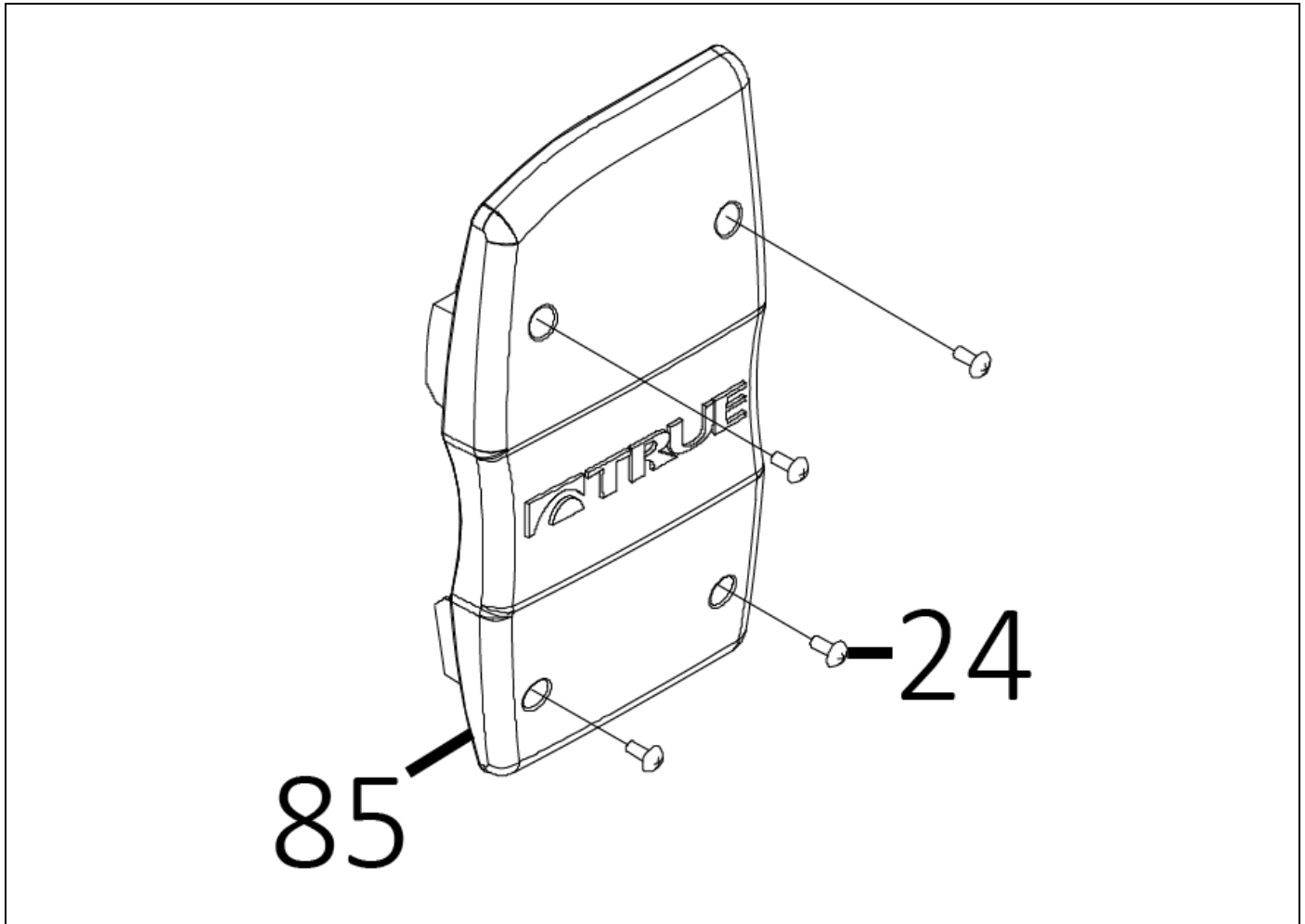


Bill of Material:

Key No:	Vendor Part No.	TRUE Part Number (if applicable)	Description:	Units:	Quantity:
86	P2525-R	7CT0042	Plastic Rear Roller Cover (Right)	PC	1
24	SAA#10-10L		Bolt (Blue Nylok) #10-32UNFx10mm	PC	4



TRUE FITNESS[®]
TRUE PART No: 7CT0041
Vendor PART No: P-2525L
Rear Roller Cover (Left)

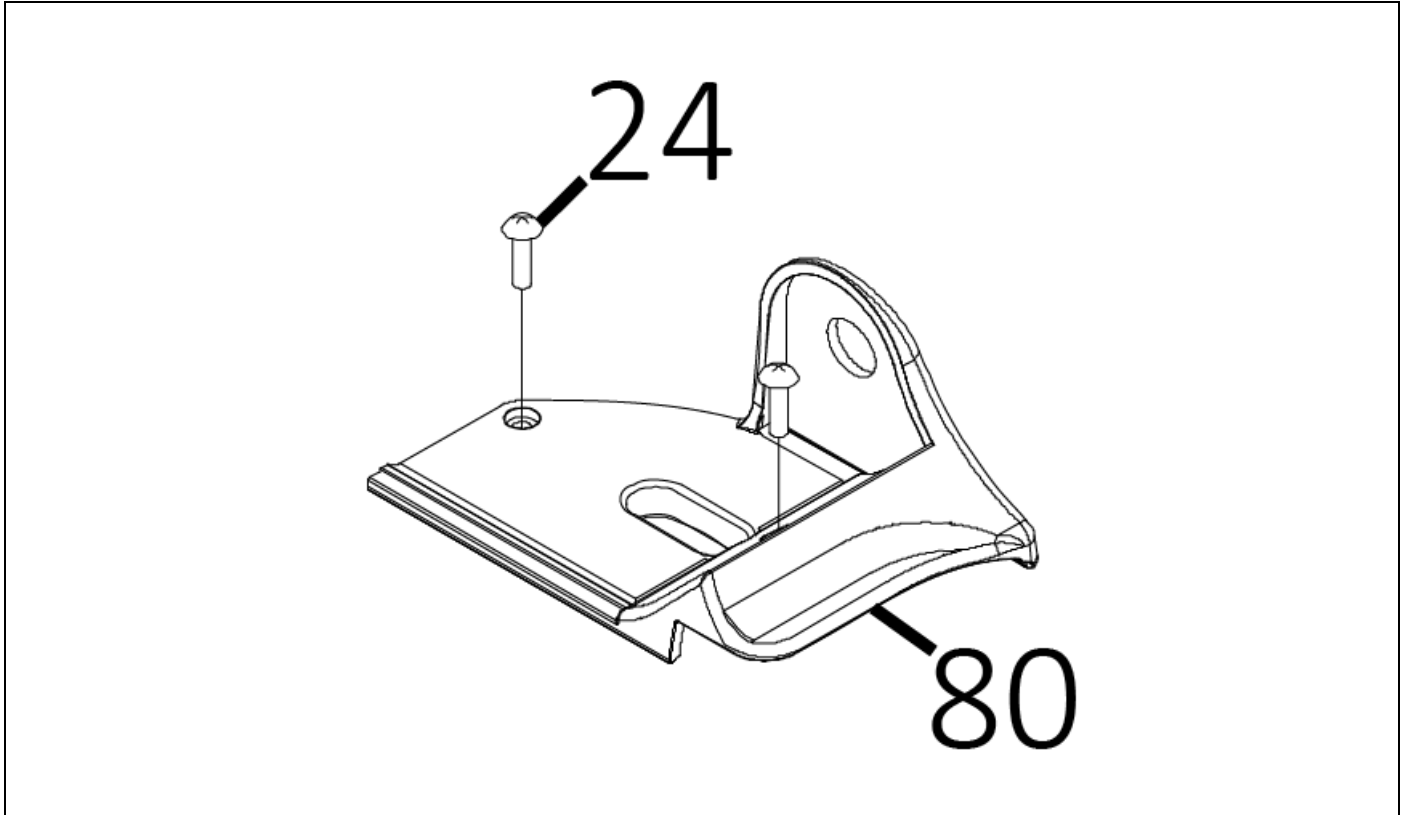


Bill of Material:

Key No:	Vendor Part No.	TRUE Part Number (if applicable)	Description:	Units:	Quantity:
85	P2525-L	7CT0041	Plastic Rear Roller Cover (Left)	PC	1
24	SAA#10-10L		Bolt (Blue Nylok) #10-32UNFx10mm	PC	4



TRUE FITNESS[®]
TRUE PART No: 7CT0040
Vendor PART No: P-2526R
Plastic PED Pivot Trim (R) CS

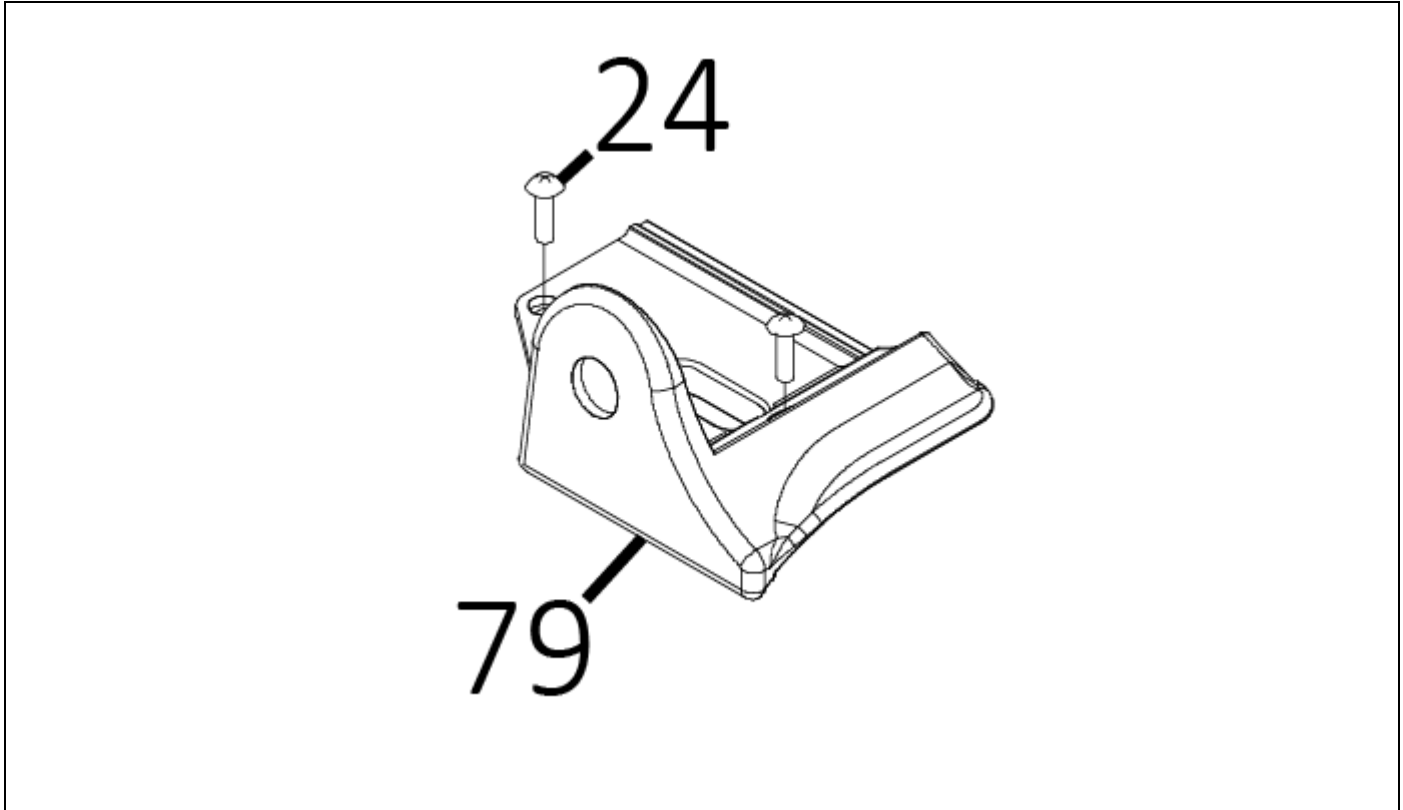


Bill of Material:

Key No:	Vendor Part No.	TRUE Part Number (if applicable)	Description:	Units:	Quantity:
80	P-2526R	7CT0040	Plastic PED Pivot Trim (R) CS		1
24	SAA#10-10L	-	Bolt (Blue Nylok) #10-32UNFx10mm		2



TRUE FITNESS®
TRUE PART No: 7CT0039
Vendor PART No: P-2526L
Plastic PED Pivot Trim (L) CS



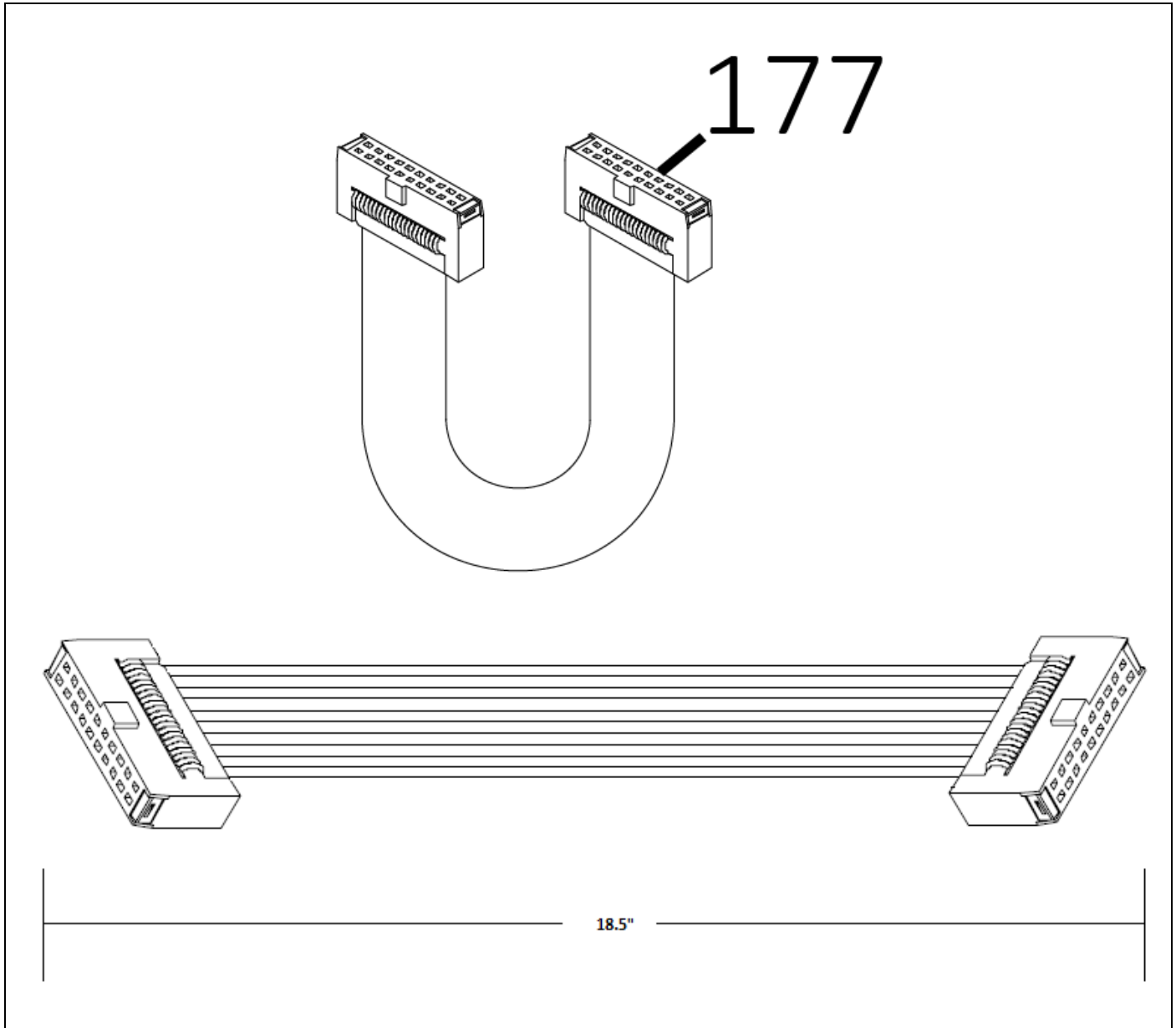
Bill of Material:

Key No:	Vendor Part No.	TRUE Part Number (if applicable)	Description:	Units:	Quantity:
79	P-2526L	7CT0039	Plastic PED Pivot Trim (L) CS		1
24	SAA#10-10L	-	Bolt (Blue Nylok) #10-32UNFx10mm		2



TRUE FITNESS[®]

TRUE PART No: 7CT0029
Vendor PART No: XL- 1049
20 Pin Interface Cable



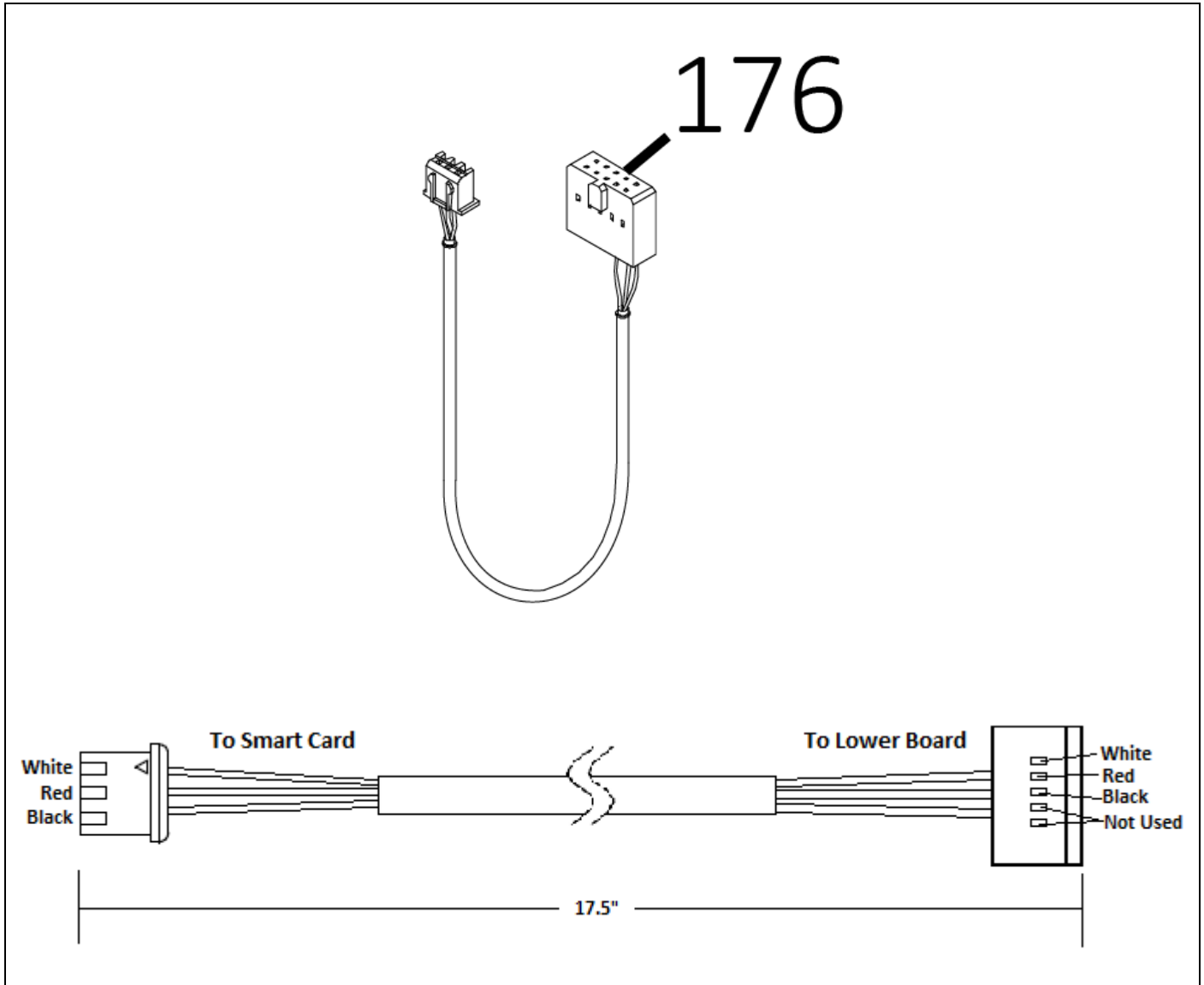
Bill of Material:

Key No:	Vendor Part No.	TRUE Part Number (if applicable)	Description:	Units:	Quantity:
177	XL-1049	7CT0029	20 Pin Data Interface Cable		1



TRUE FITNESS[®]

TRUE PART No: 7CT0028
Vendor PART No: XL- 1048
Comm Cable RS232 17"



Bill of Material:

Key No:	Vendor Part No.	TRUE Part Number (if applicable)	Description:	Units:	Quantity:
176	XL-1048	7CT0028	Comm Cable RS232 17"		1

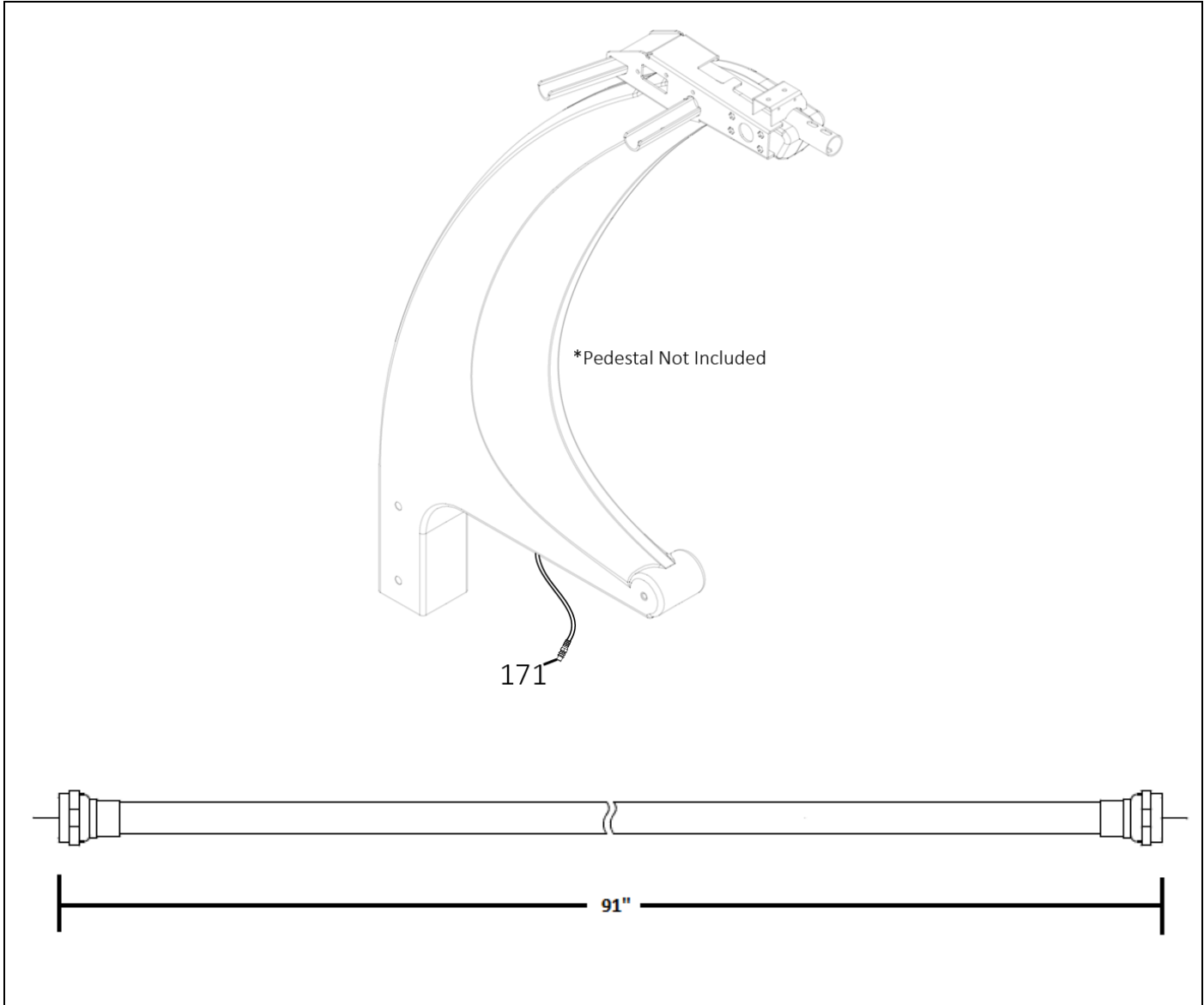


TRUE FITNESS[®]

TRUE PART No: 7CT0023

Vendor PART No: XL-1051B

Lower Coaxial Cable



Bill of Material:

Key No:	Vendor Part No.	TRUE Part Number (if applicable)	Description:	Units:	Quantity:
171	XL-1051B	7CT0023	Lower Coaxial Cable 91"		1

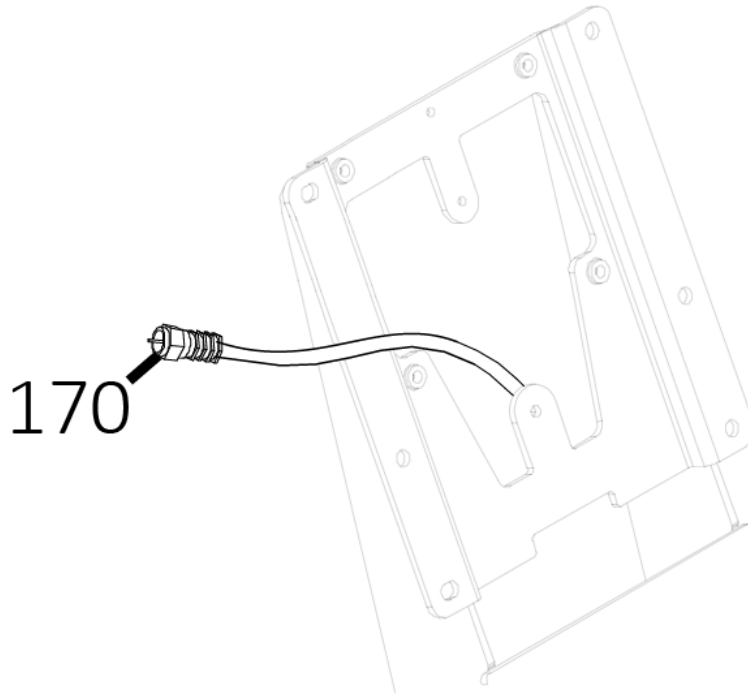


TRUE FITNESS[®]

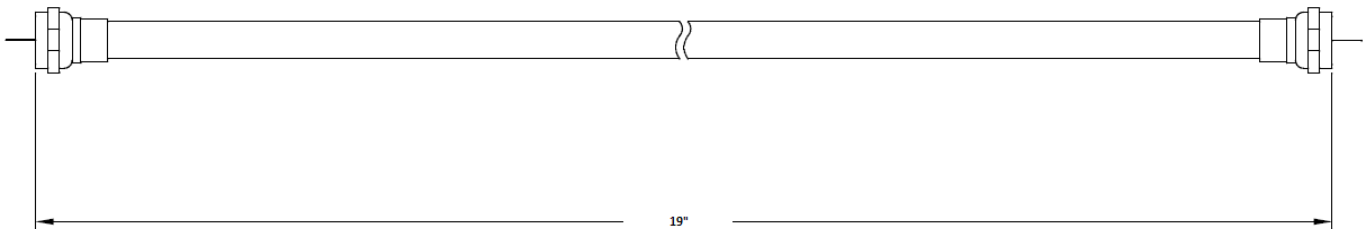
TRUE PART No: 7CT0022

Vendor PART No: XL- 1051B

Upper Coax Cable (19")



*Console Mast Not Included



Bill of Material:

Key No:	Vendor Part No.	TRUE Part Number (if applicable)	Description:	Units:	Quantity:
171	XL-1051B	7CT0022	Upper Coax Cable 19"		1

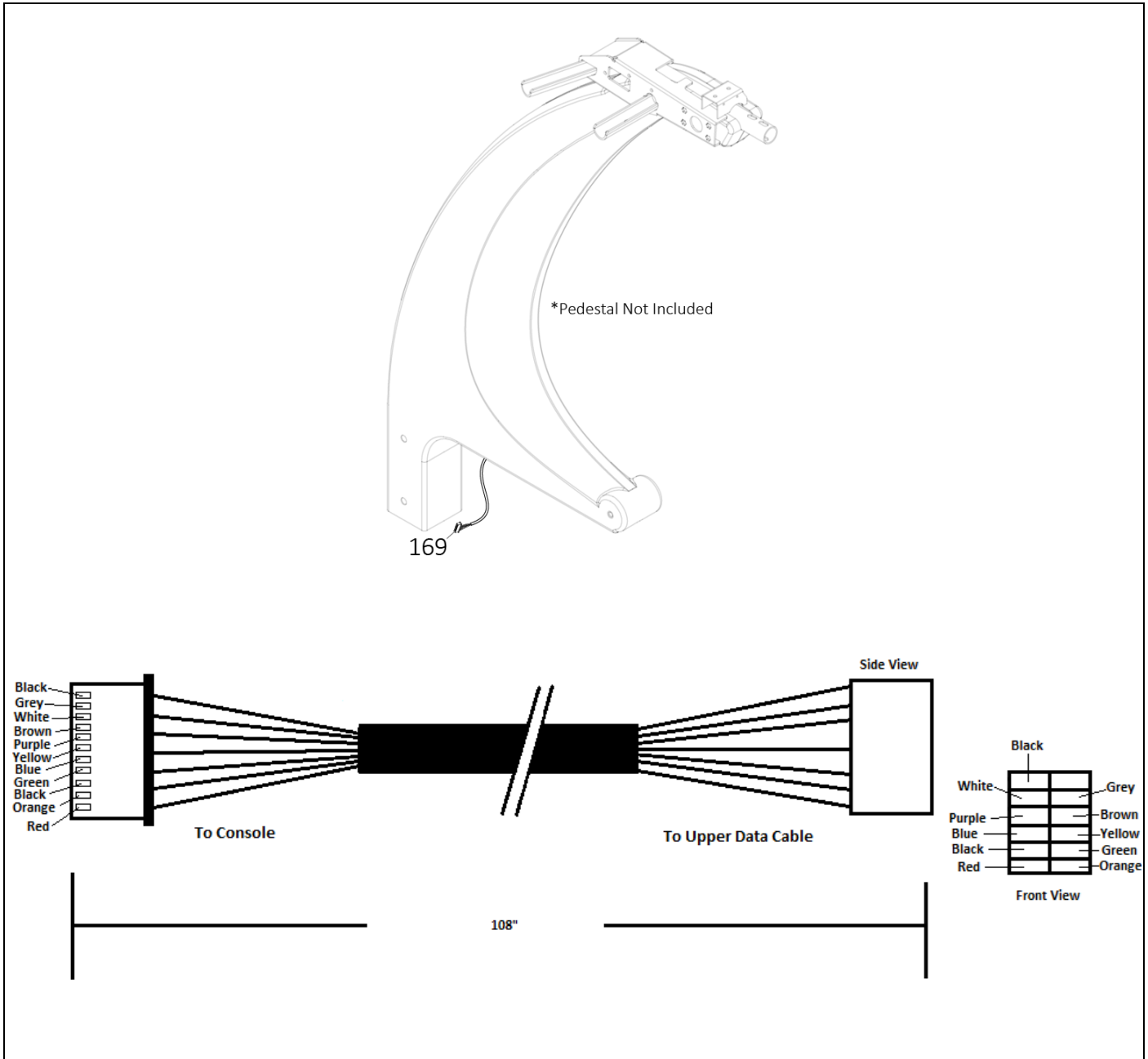


TRUE FITNESS®

TRUE PART No: 7TCS0021

Vendor PART No: XL- 1053B

Lower Data Cable (108")



Bill of Material:

Key No:	Vendor Part No.	TRUE Part Number (if applicable)	Description:	Units:	Quantity:
169	XL-1053B	7TCS0021	Lower Data Cable 108" 12P+11P		1

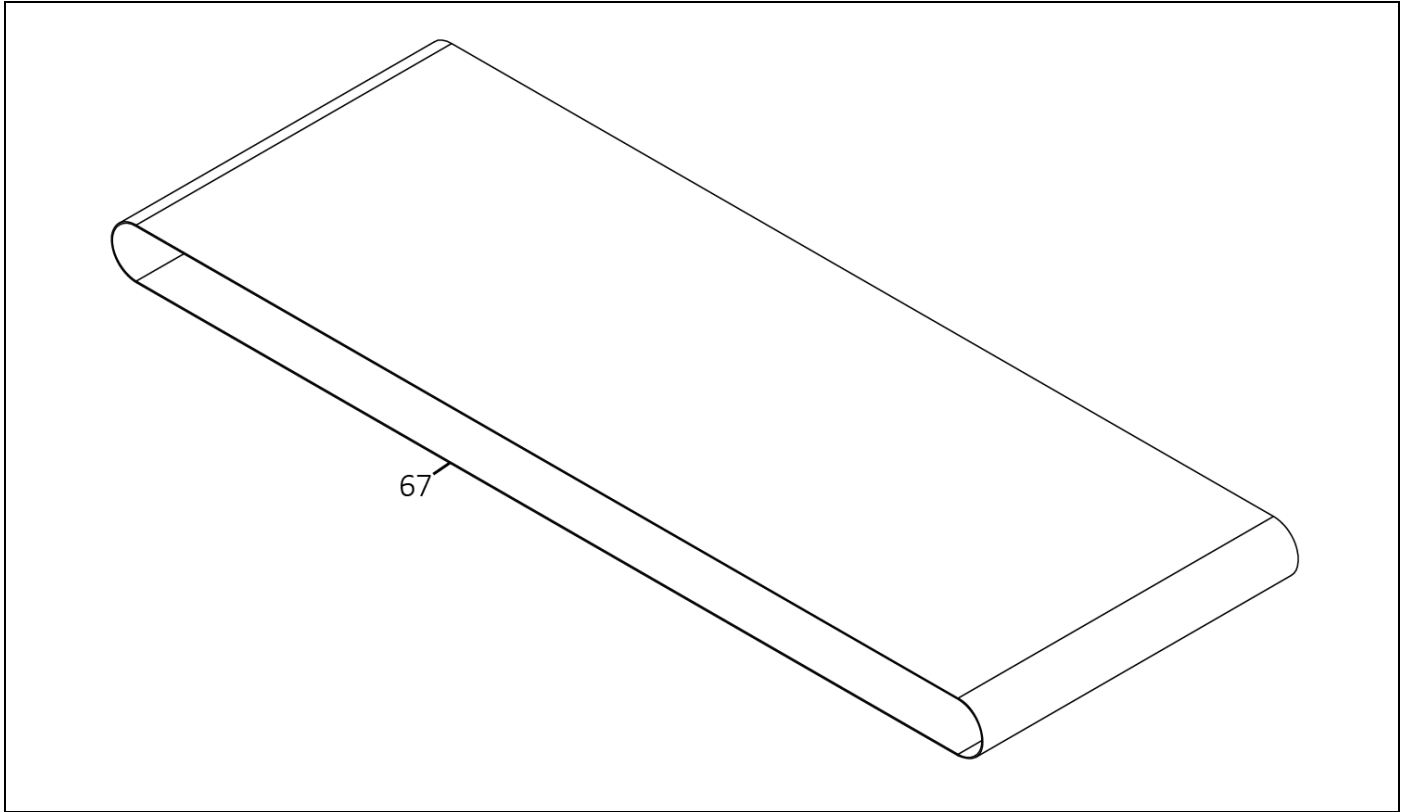


TRUE FITNESS[®]

TRUE PART No: 7C538200

Vendor PART No: **CB00063**

Treadbelt, CS 23 X 130 Overlap

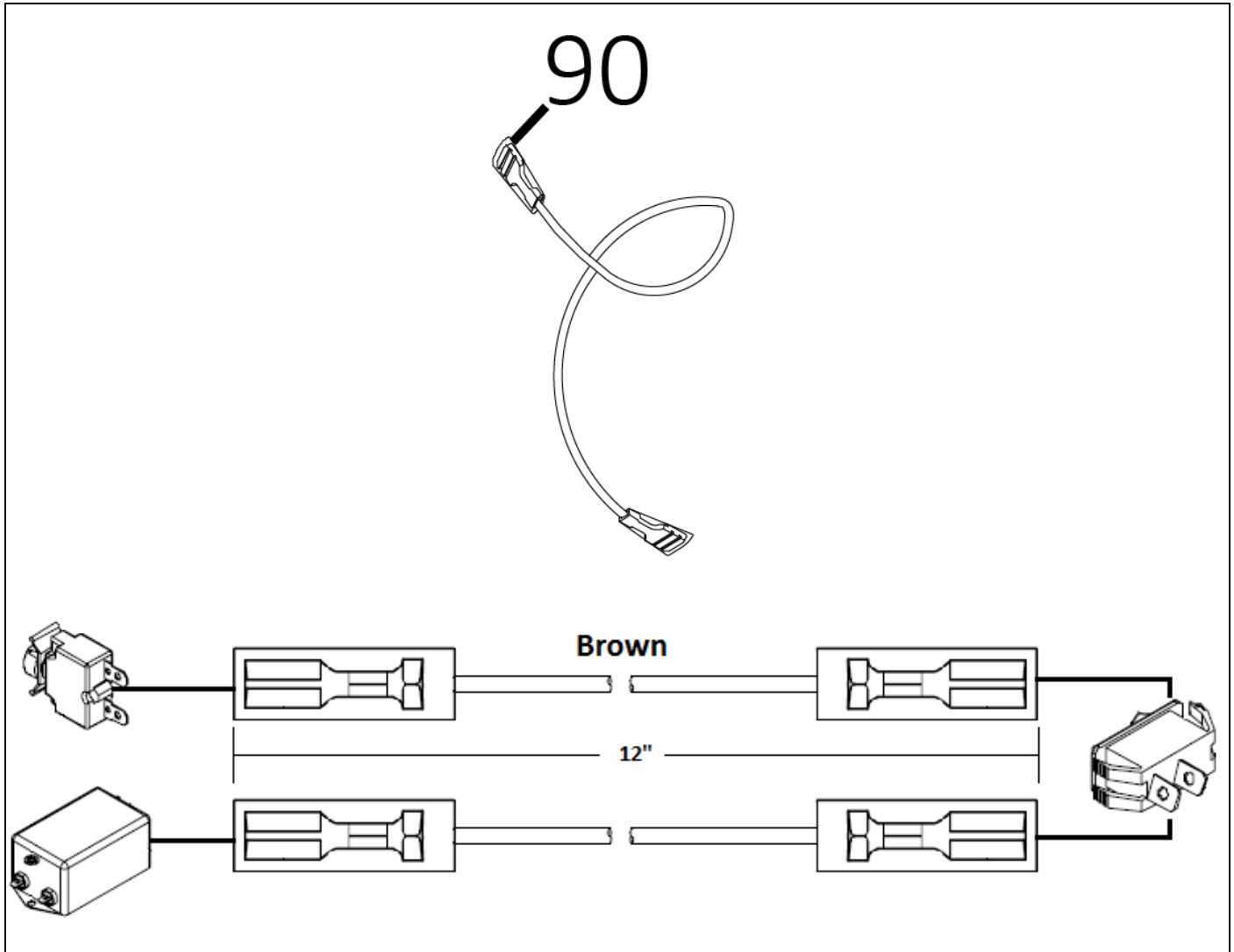


Bill of Material:

Key No:	Vendor Part No.	TRUE Part Number (if applicable)	Description:	Units:	Quantity:
67	CB00063	7C538200	Treadbelt, CS 23 X 130 Overlap	PC	1



TRUE FITNESS[®]
TRUE PART No: 7TCS0031
Vendor PART No: **XLT060**
Breaker to Switch to Filter Wire

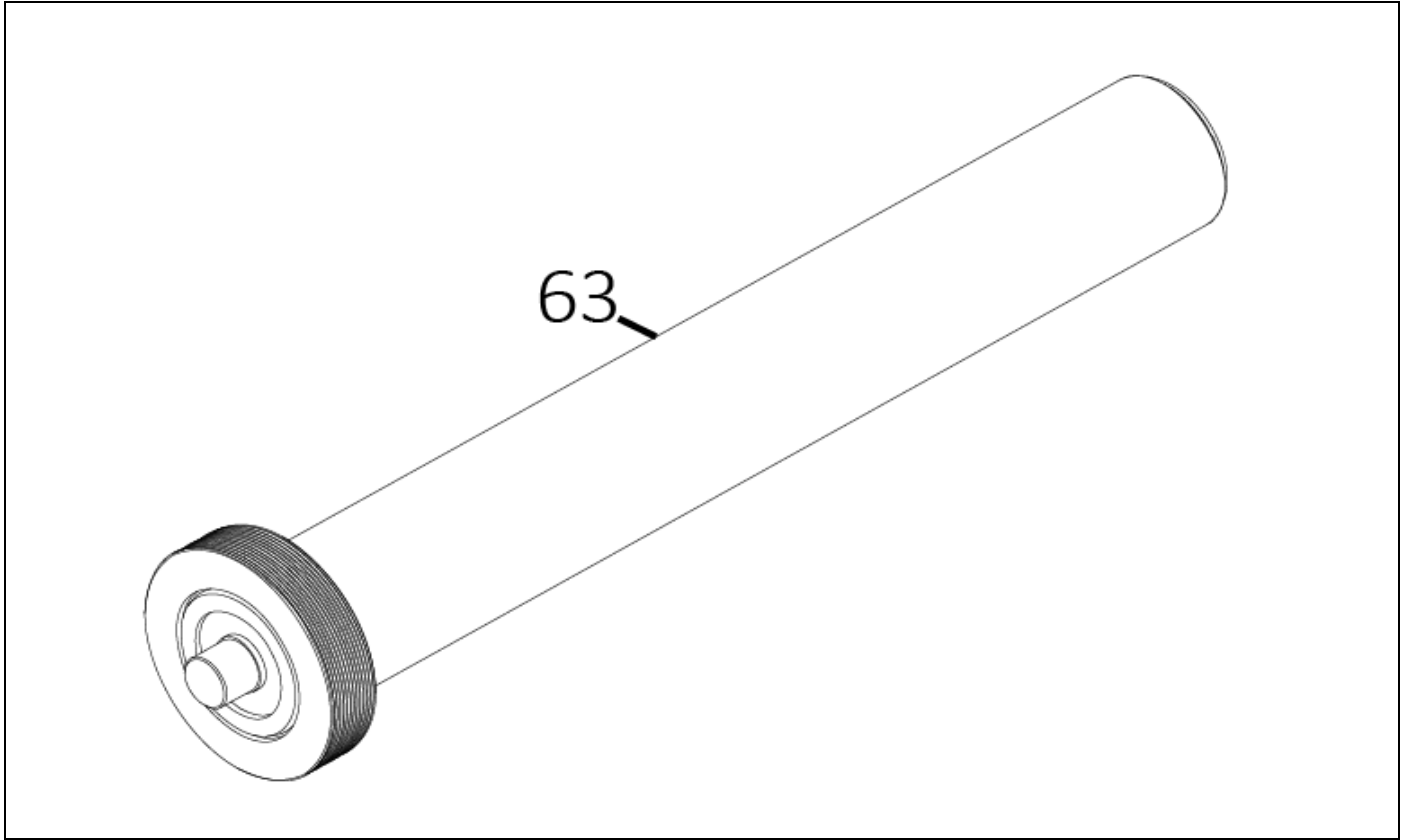


Bill of Material:

Key No:	Vendor Part No.	TRUE Part Number (if applicable)	Description:	Units:	Quantity:
90	XLT060	7TCS00 1	Breaker to Switch to Filter Wire (Brown)		1



TRUE FITNESS[®]
TRUE PART No: 7C477800
Vendor PART No: **NRL-032**
Front Roller



Bill of Material:

Key No:	Vendor Part No.	TRUE Part Number (if applicable)	Description:	Units:	Quantity:
63	NRL-032	7C477800	Front Roller		1

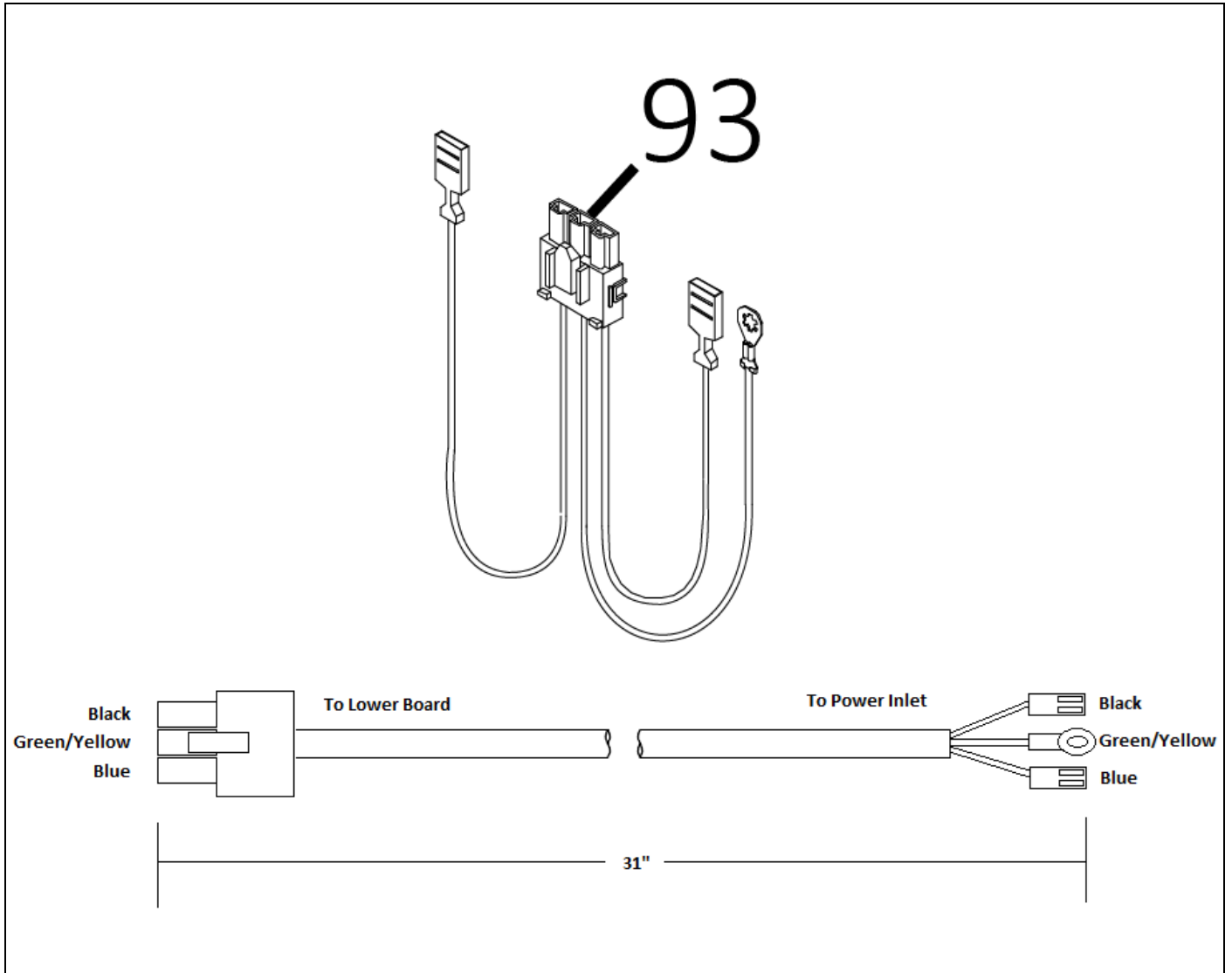


TRUE FITNESS[®]

TRUE PART No: 7C477700

Vendor PART No: XL-796

ACMC Power Inlet Cable



Bill of Material:

Key No:	Vendor Part No.	TRUE Part Number (if applicable)	Description:	Units:	Quantity:
93	XL-796	7C477700	Cable, ACMC Pwr Inlet - CS		1

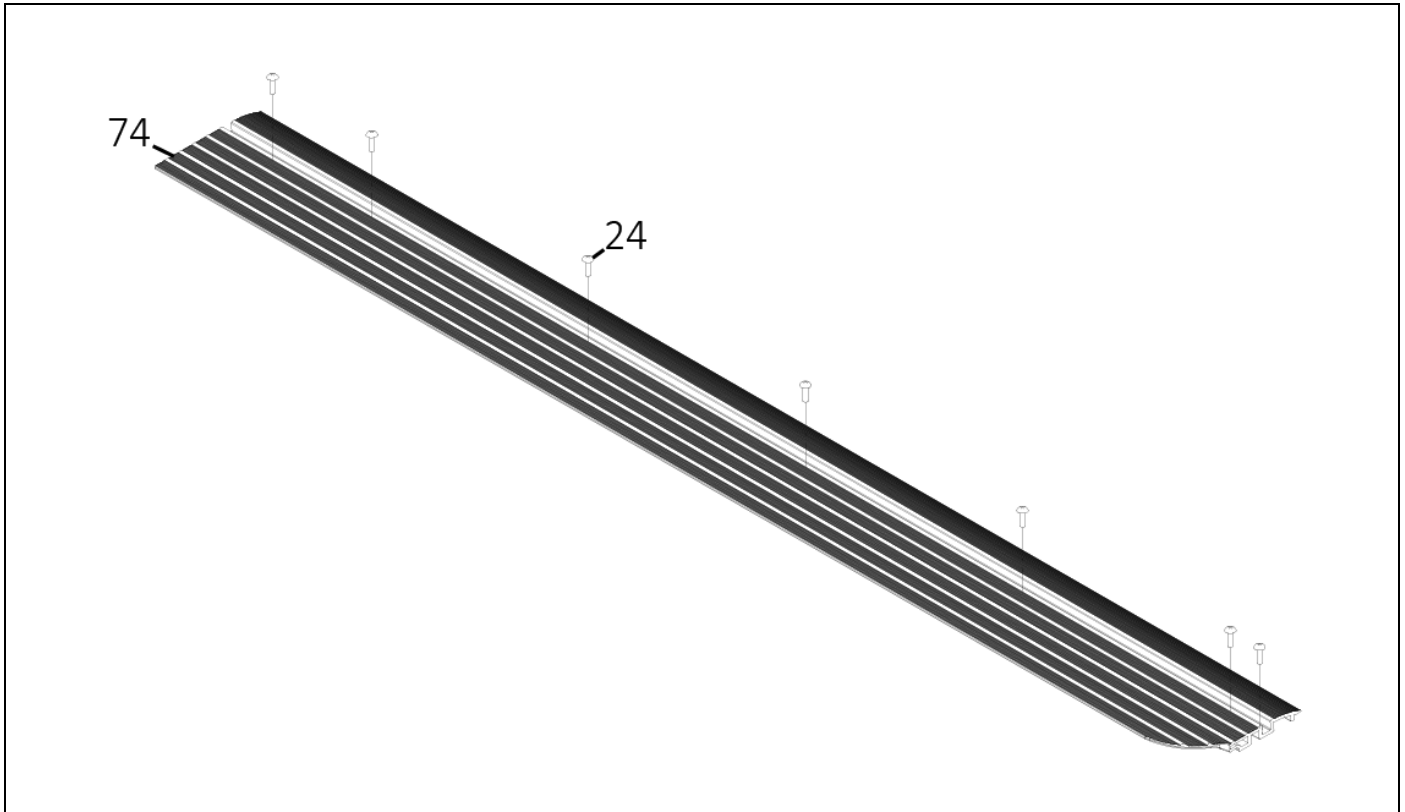


TRUE FITNESS[®]

TRUE PART No: 7C474900

Vendor PART No: AAL093E1460-002

Straddle Cover, CS (Right)



Bill of Material:

Key No:	Vendor Part No.	TRUE Part Number (if applicable)	Description:	Units:	Quantity:
74	AAL093E1460-002	7C474900	Straddle Cover, CS (Right)	PC	1
24	SAA#10-10L		Bolt (Blue Nylok) #10-32UNFx10mm	PC	7

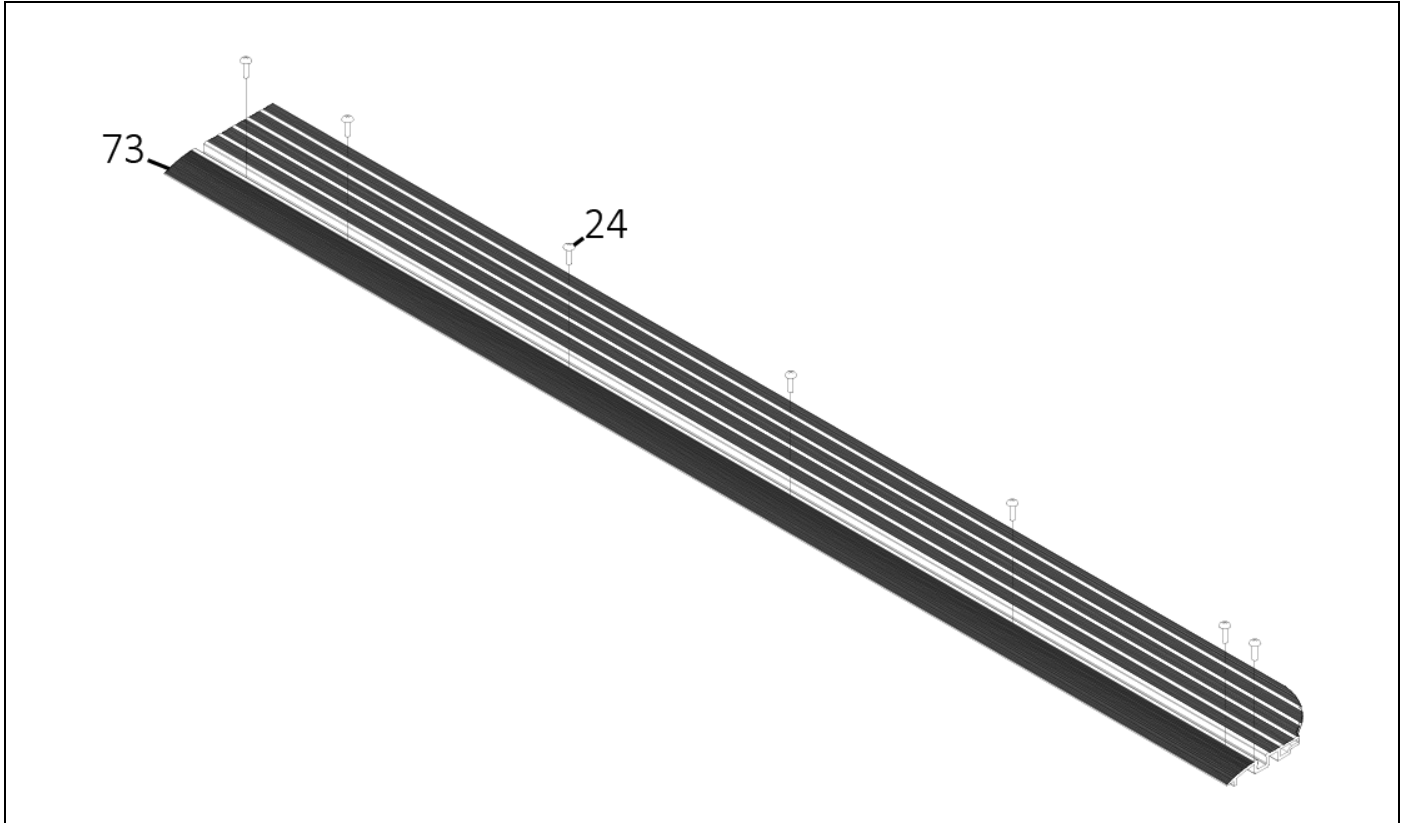


TRUE FITNESS[®]

TRUE PART No: 7C474800

Vendor PART No: **AAL093E1460-001**

Straddle Cover, CS (Left)

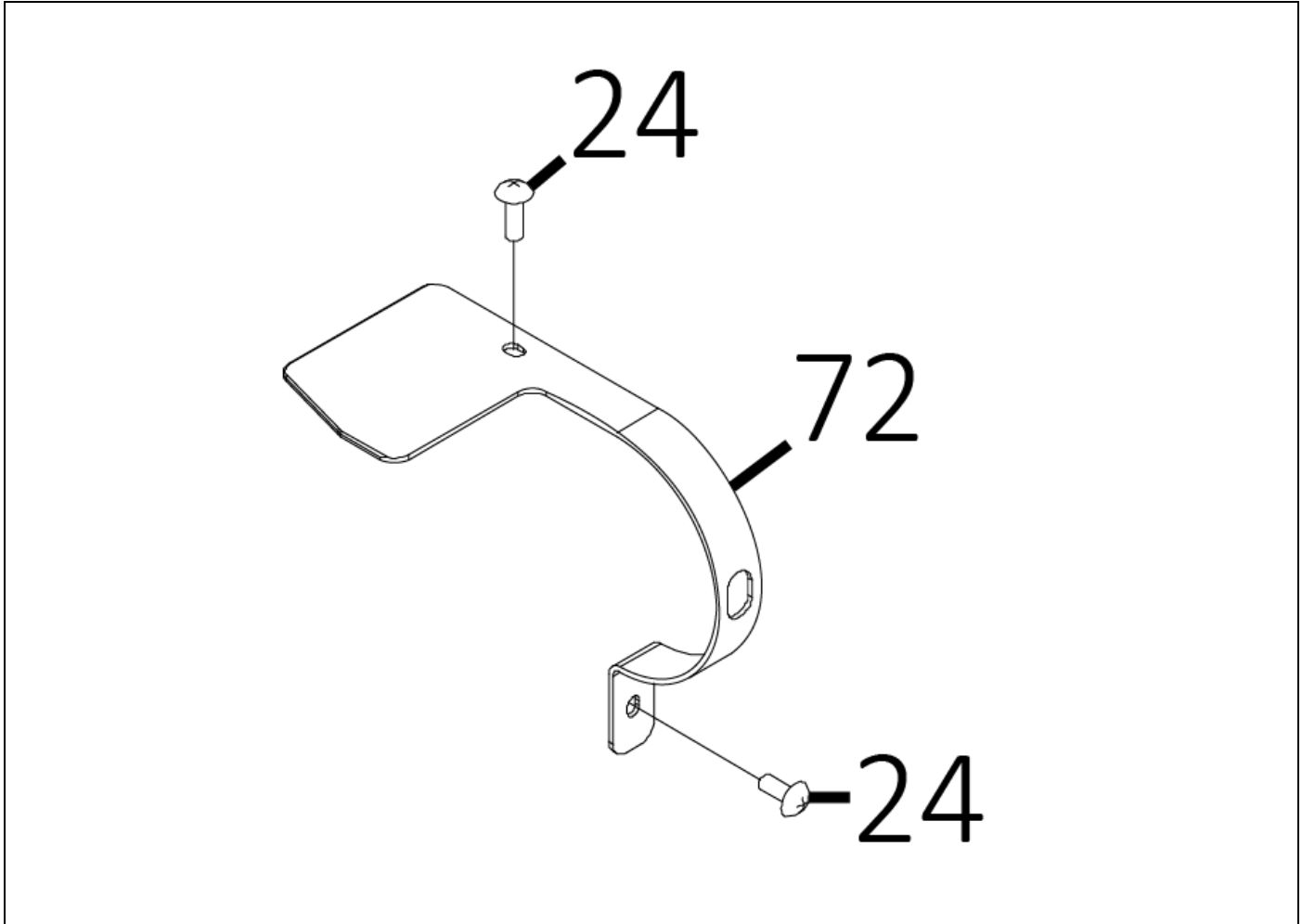


Bill of Material:

Key No:	Vendor Part No.	TRUE Part Number (if applicable)	Description:	Units:	Quantity:
73	AAL093E1460-001	7C474800	Straddle Cover, CS (Left)	PC	1
24	SAA#10-10L		Bolt (Blue Nylok) #10-32UNFx10mm	PC	7



TRUE FITNESS[®]
TRUE PART No: 7C471300
Vendor PART No: NO-4242R
Rear Roller Guard (Right)

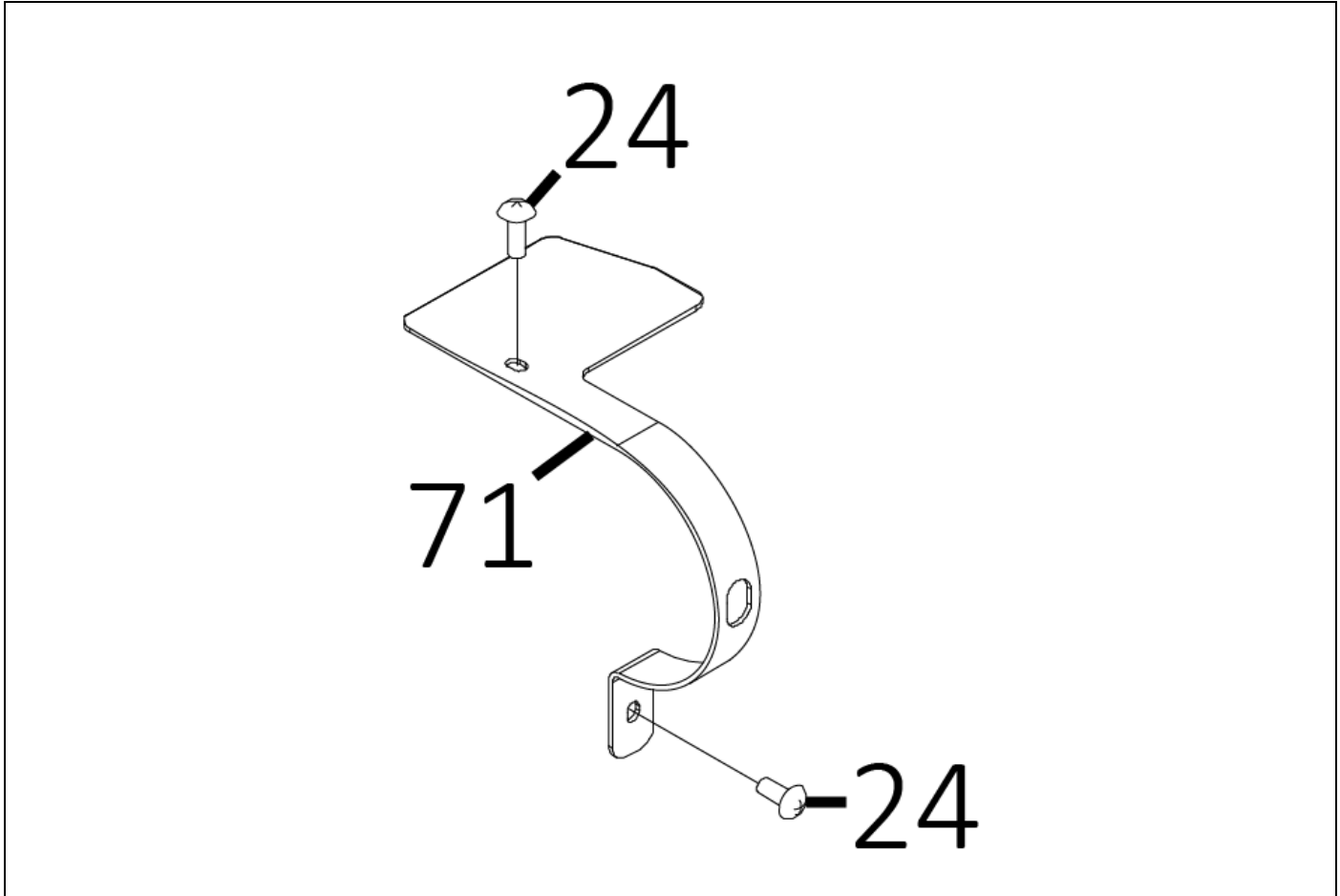


Bill of Material:

Key No:	Vendor Part No.	TRUE Part Number (if applicable)	Description:	Units:	Quantity:
71	NO-4242R	7C471300	Rear Roller Guard (Right)	PC	1
24	SAA#10-10L		Bolt (Blue Nylok) #10-32UNFx10mm	PC	2



TRUE FITNESS[®]
TRUE PART No: 7C471200
Vendor PART No: NO-4242L
Rear Roller Guard (Left)



Bill of Material:

Key No:	Vendor Part No.	TRUE Part Number (if applicable)	Description:	Units:	Quantity:
71	NO-4242L	7C471200	Rear Roller Guard (Left)	PC	1
24	SAA#10-10L		Bolt (Blue Nylok) #10-32UNFx10mm	PC	2



TRUE FITNESS[®]
TRUE PART No: 7C470800
Vendor PART No: P-2515
AC Motor Base Insulator

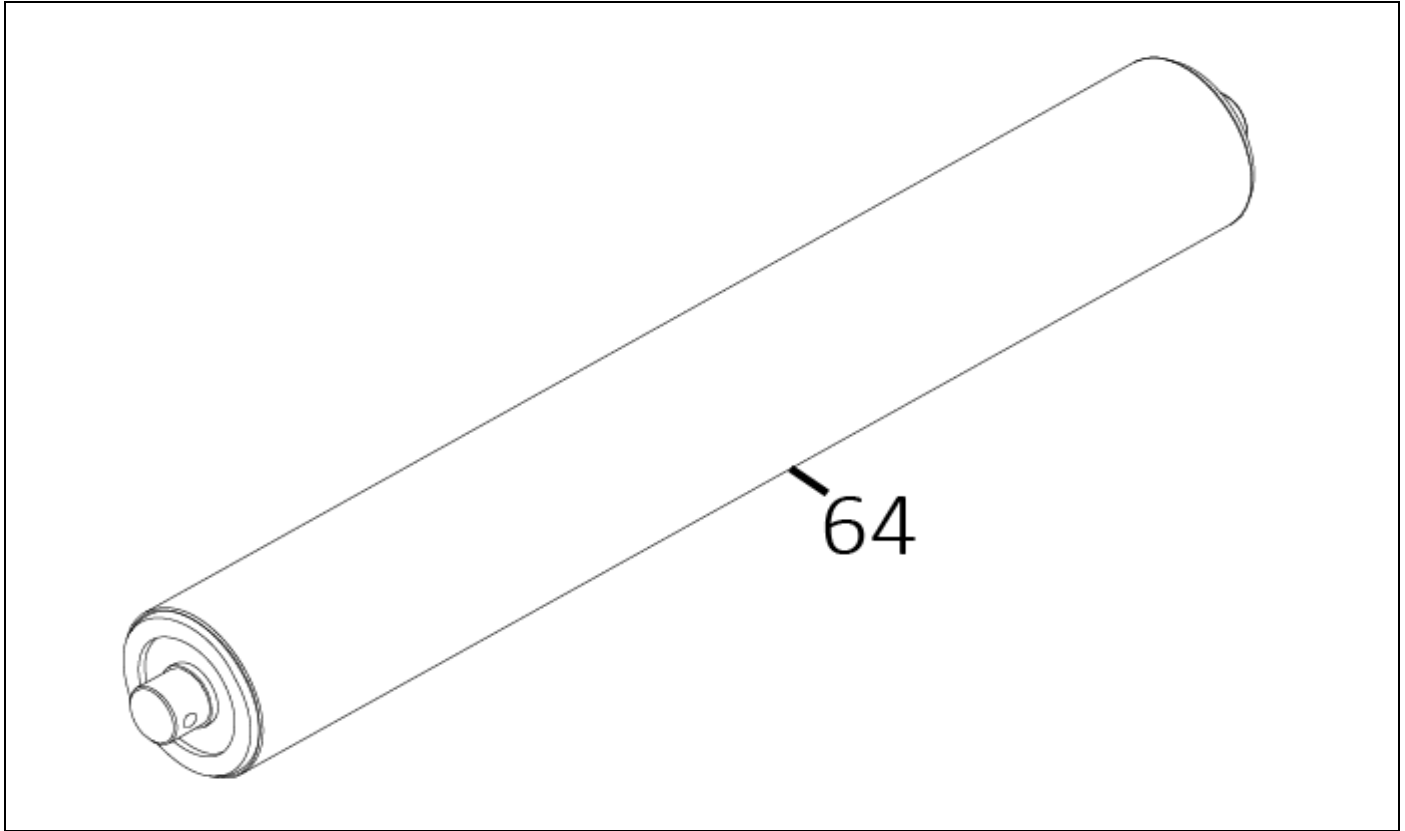


Bill of Material:

Key No:	Vendor Part No.	TRUE Part Number (if applicable)	Description:	Units:	Quantity:
36	P-2515	7C470800	AC Motor Base Insulator - CS		2



TRUE FITNESS[®]
TRUE PART No: 7C468100
Vendor PART No: **NRL-032A**
Rear Roller

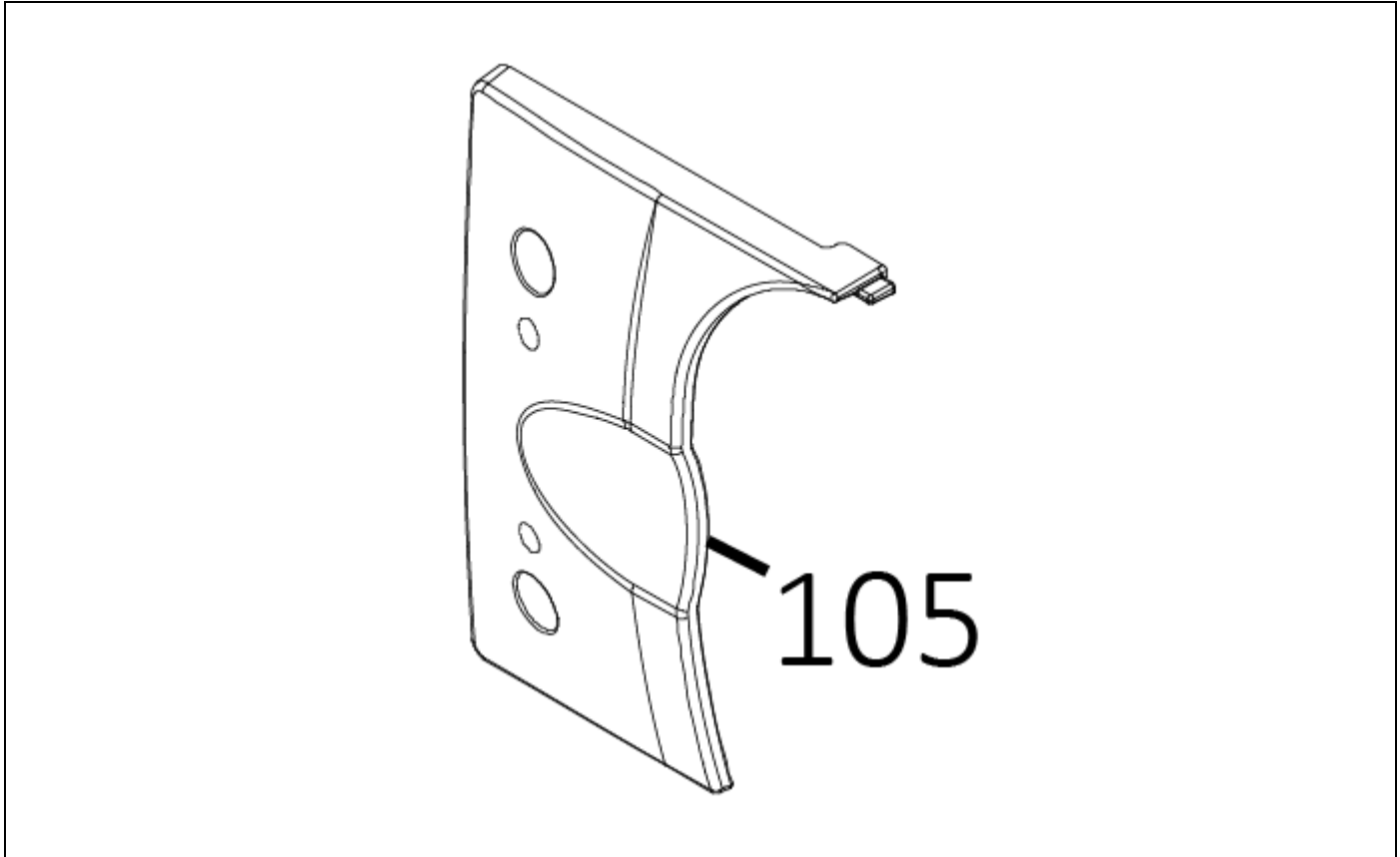


Bill of Material:

Key No:	Vendor Part No.	TRUE Part Number (if applicable)	Description:	Units:	Quantity:
64	NRL-032A	7C468100	Rear Roller		1



TRUE FITNESS[®]
TRUE PART No: 7C466600
Vendor PART No: **P2543L**
Plastic Front Trim (L)

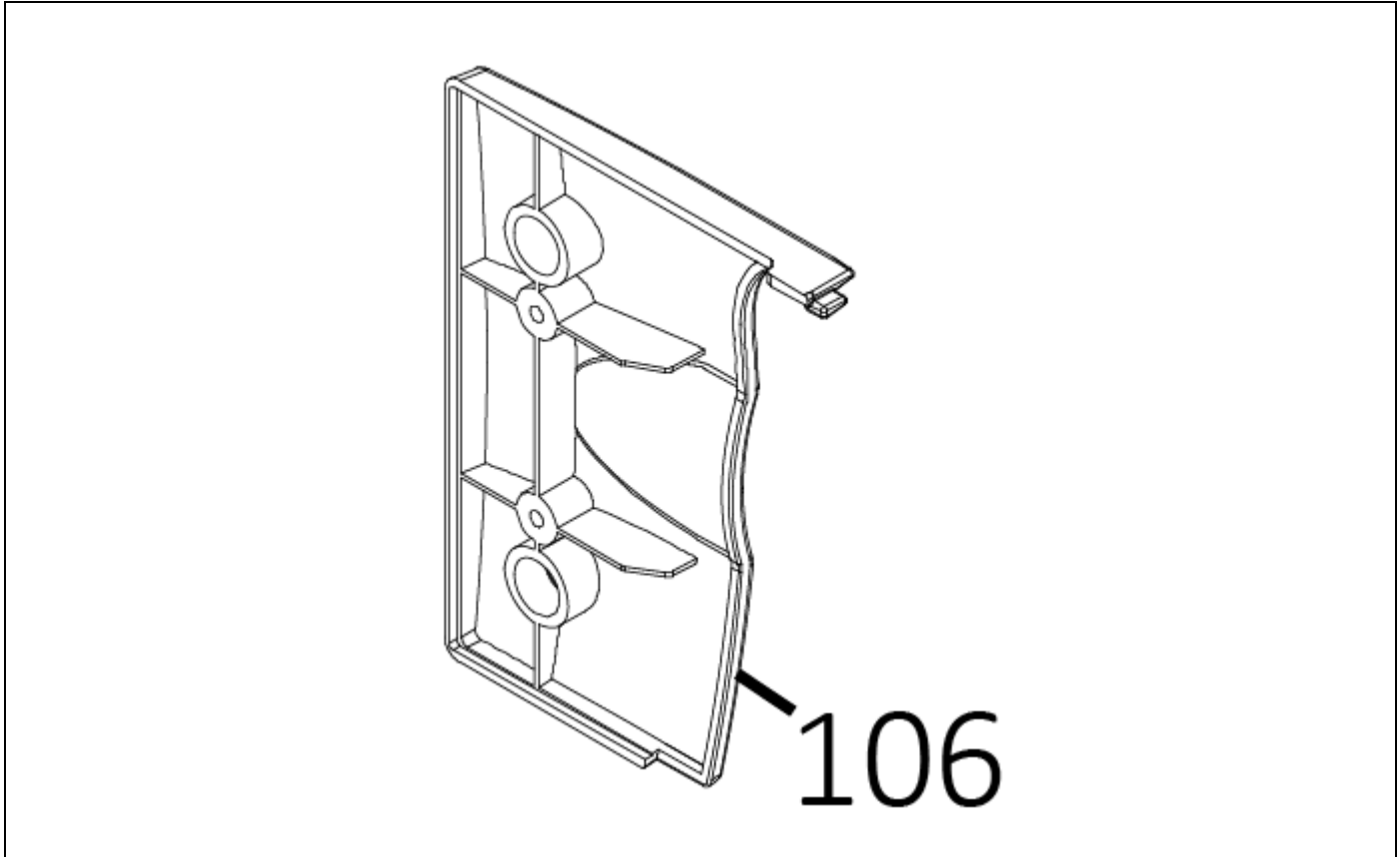


Bill of Material:

Key No:	Vendor Part No.	TRUE Part Number (if applicable)	Description:	Units:	Quantity:
105	P2543L	7C466600	Trim, Plastic Front		1



TRUE FITNESS[®]
TRUE PART No: 7C466500
Vendor PART No: **P2543R**
Plastic Front Trim (R)

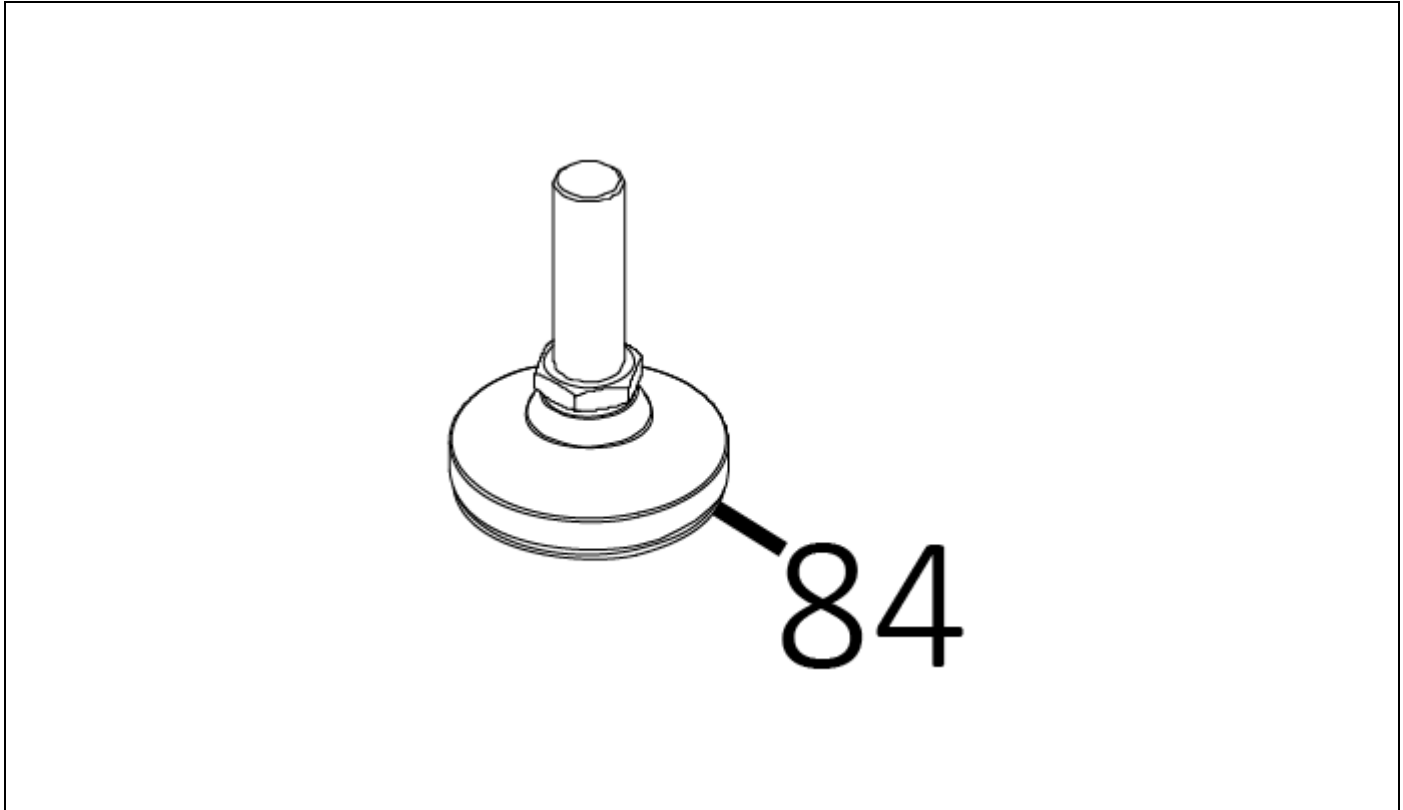


Bill of Material:

Key No:	Vendor Part No.	TRUE Part Number (if applicable)	Description:	Units:	Quantity:
106	P2543R	7C466500	Trim, Plastic Front		1



TRUE FITNESS[®]
TRUE PART No: 7C461100
Vendor PART No: **PN-BF5024**
Leveling Foot

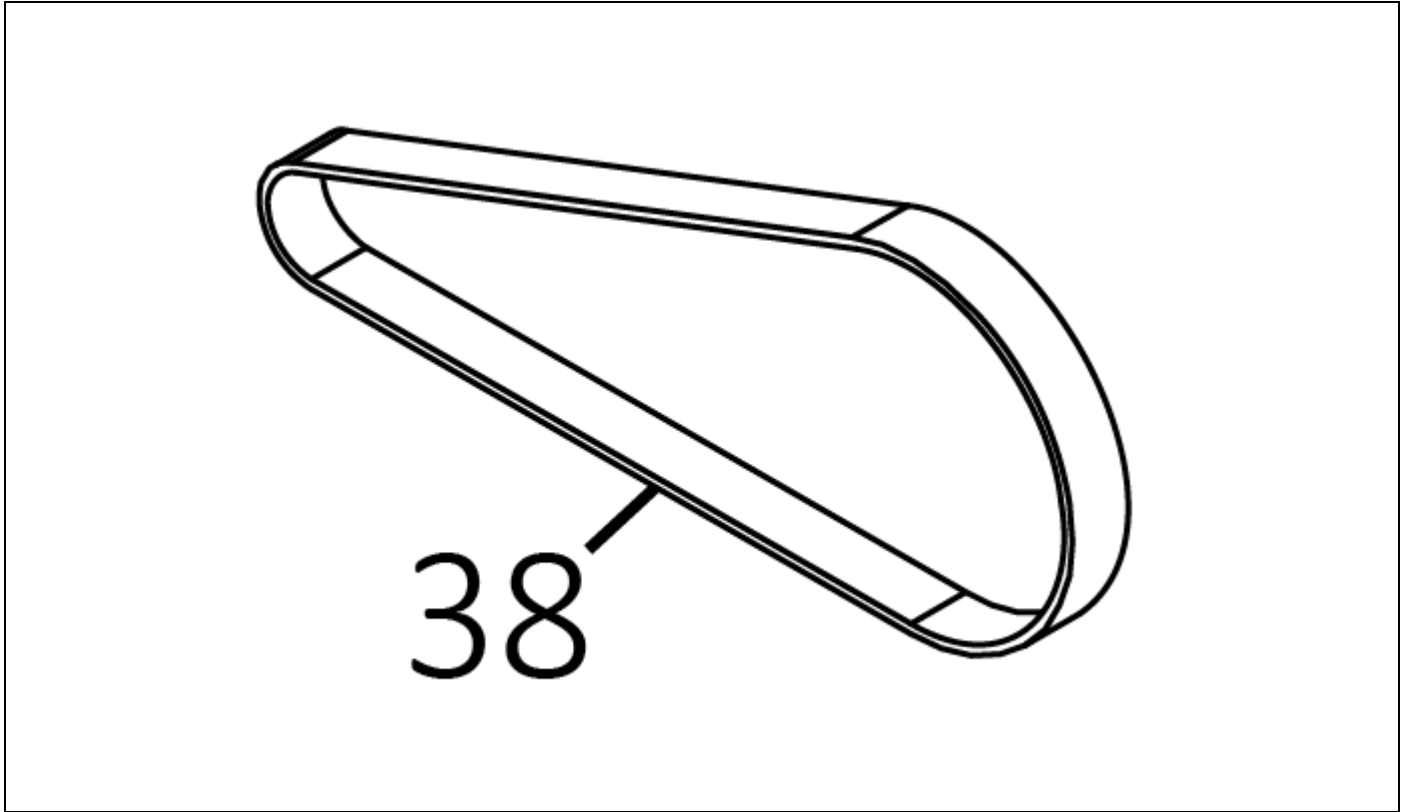


Bill of Material:

Key No:	Vendor Part No.	TRUE Part Number (if applicable)	Description:	Units:	Quantity:
84	PN-BF5024	7C461100	Foot 2 1/2" D/W 5/8-11 x 2" THRD		1



TRUE FITNESS[®]
TRUE PART No: 7C460600
Vendor PART No: CA-805J10
Drive Belt

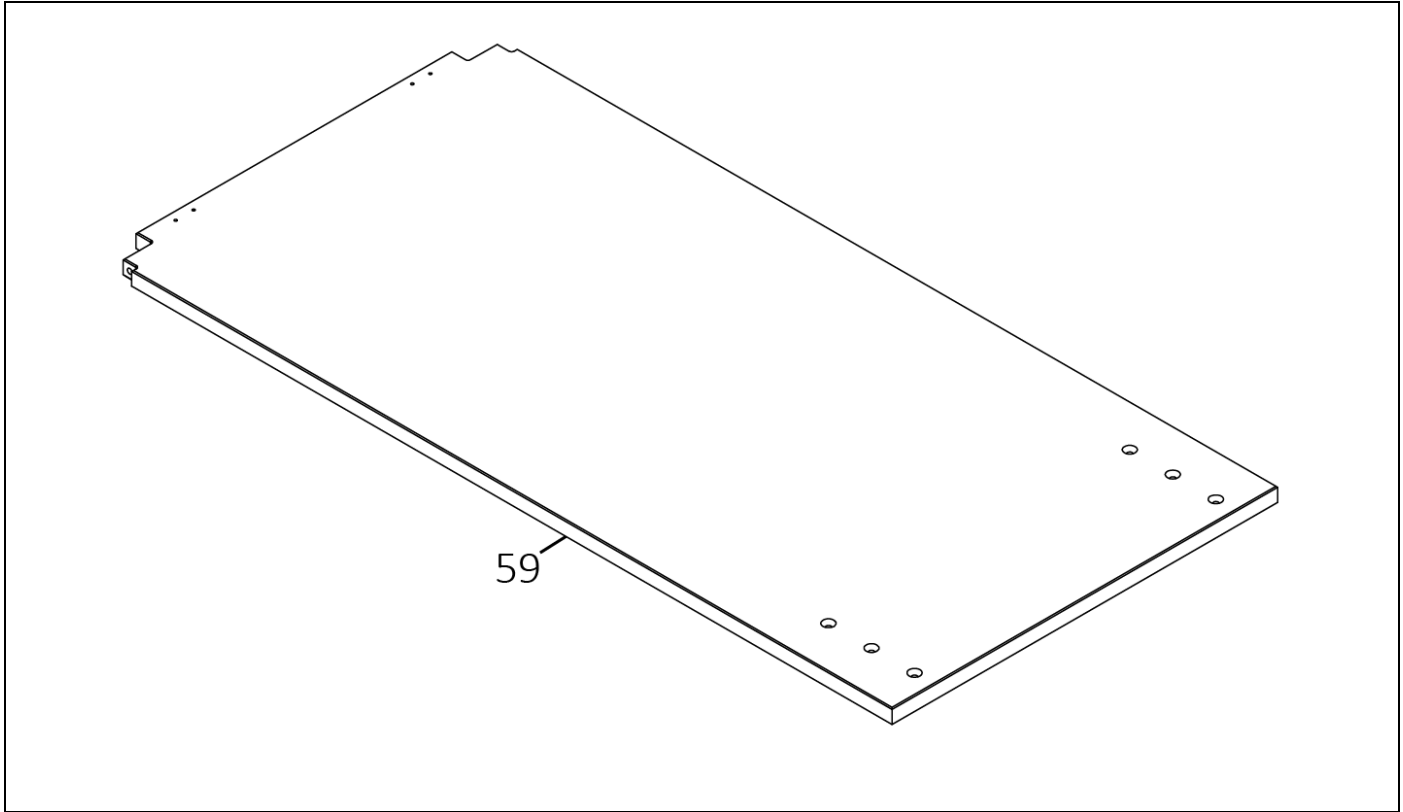


Bill of Material:

Key No:	Vendor Part No.	TRUE Part Number (if applicable)	Description:	Units:	Quantity:
38	CA-805J10	7C460600	Drive Belt	PC	1



TRUE FITNESS[®]
TRUE PART No: 7C460500
Vendor PART No: **MB-036**
Flex Deck



Bill of Material:

Key No:	Vendor Part No.	TRUE Part Number (if applicable)	Description:	Units:	Quantity:
59	MB-036	7C460500	Deck		1

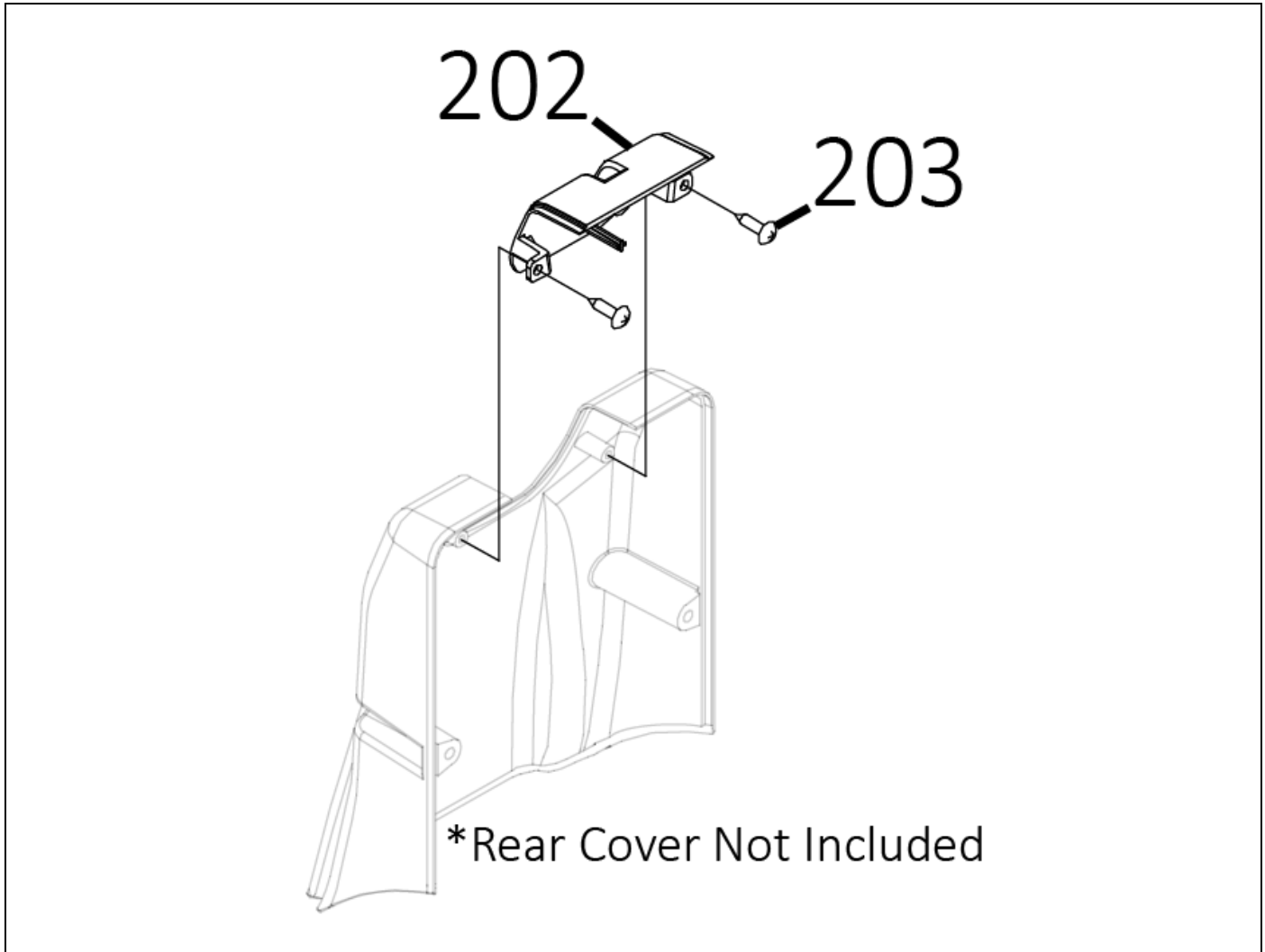


TRUE FITNESS[®]

TRUE PART No: 7TCS4015

Vendor PART No: XXXXX

Console Rear Cover Insert Assembly



Bill of Material:

Key No:	Vendor Part No.	TRUE Part Number (if applicable)	Description:	Units:	Quantity:
202	P-3572		Console Rear Cover Insert		1
203	SCI4-12	7RT0137	Bolt Φ 4x12		2

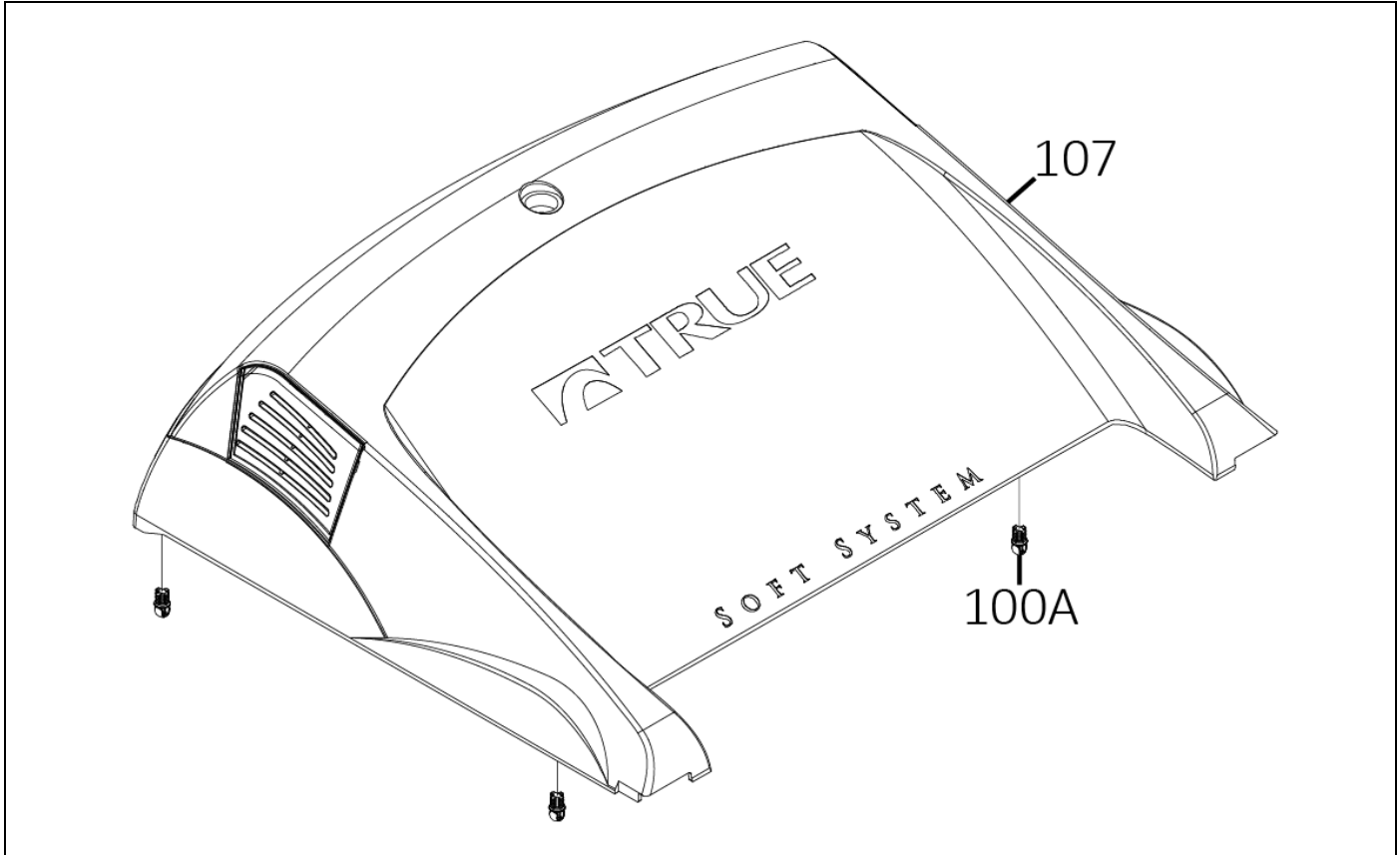


TRUE FITNESS[®]

TRUE PART No: 7CT0044

Vendor PART No: XXXXX

Motor Cover Assembly



Bill of Material:

Key No:	Vendor Part No.	TRUE Part Number (if applicable)	Description:	Units:	Quantity:
107	P-2802		Motor Cover		1
100A	P-2804	7TCS6002X	Treelok Ball-Top		4

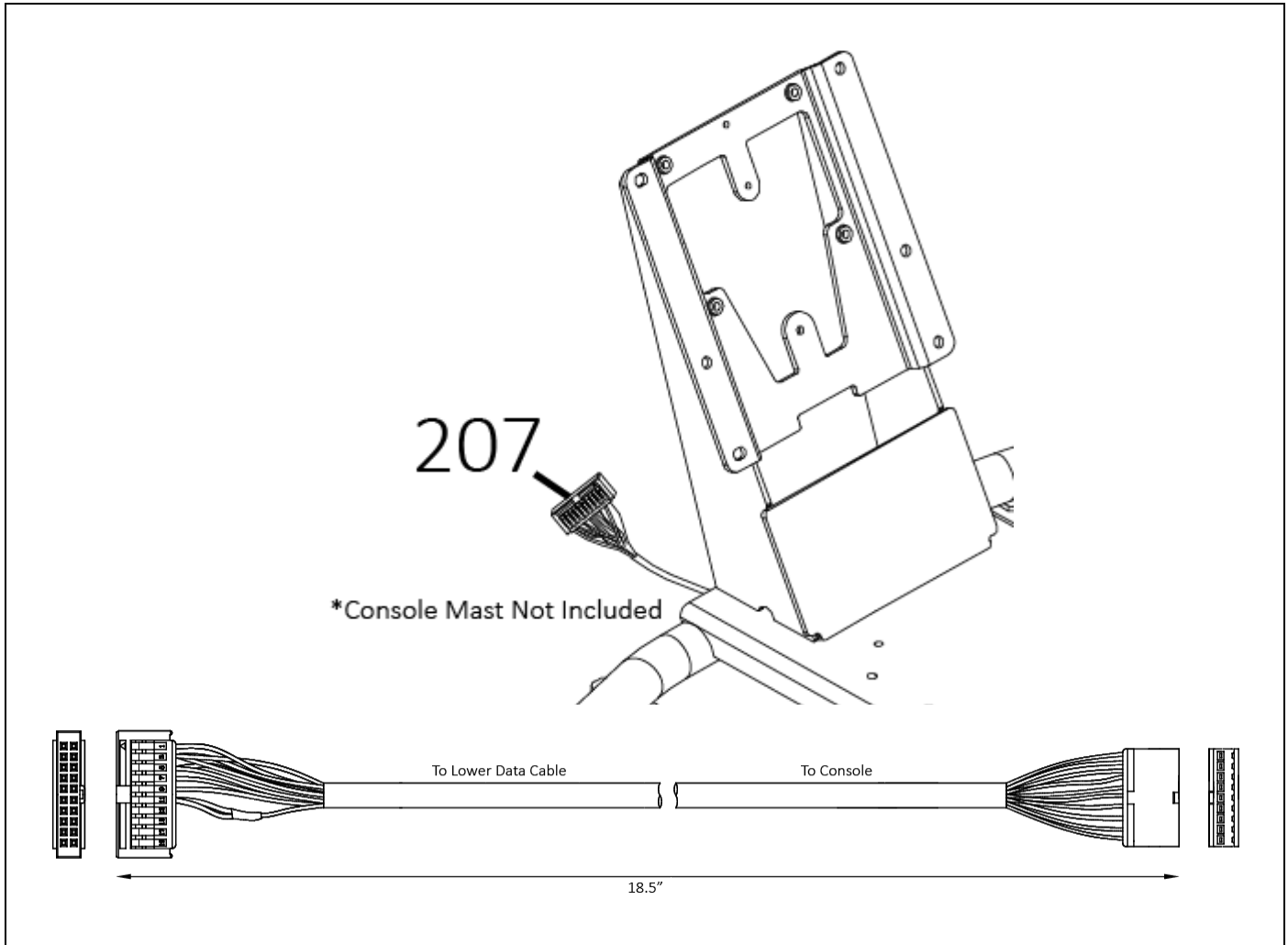


TRUE FITNESS[®]

TRUE PART No: 7TCS0020

Vendor PART No: XL-1533A

Upper IOLCB Cable

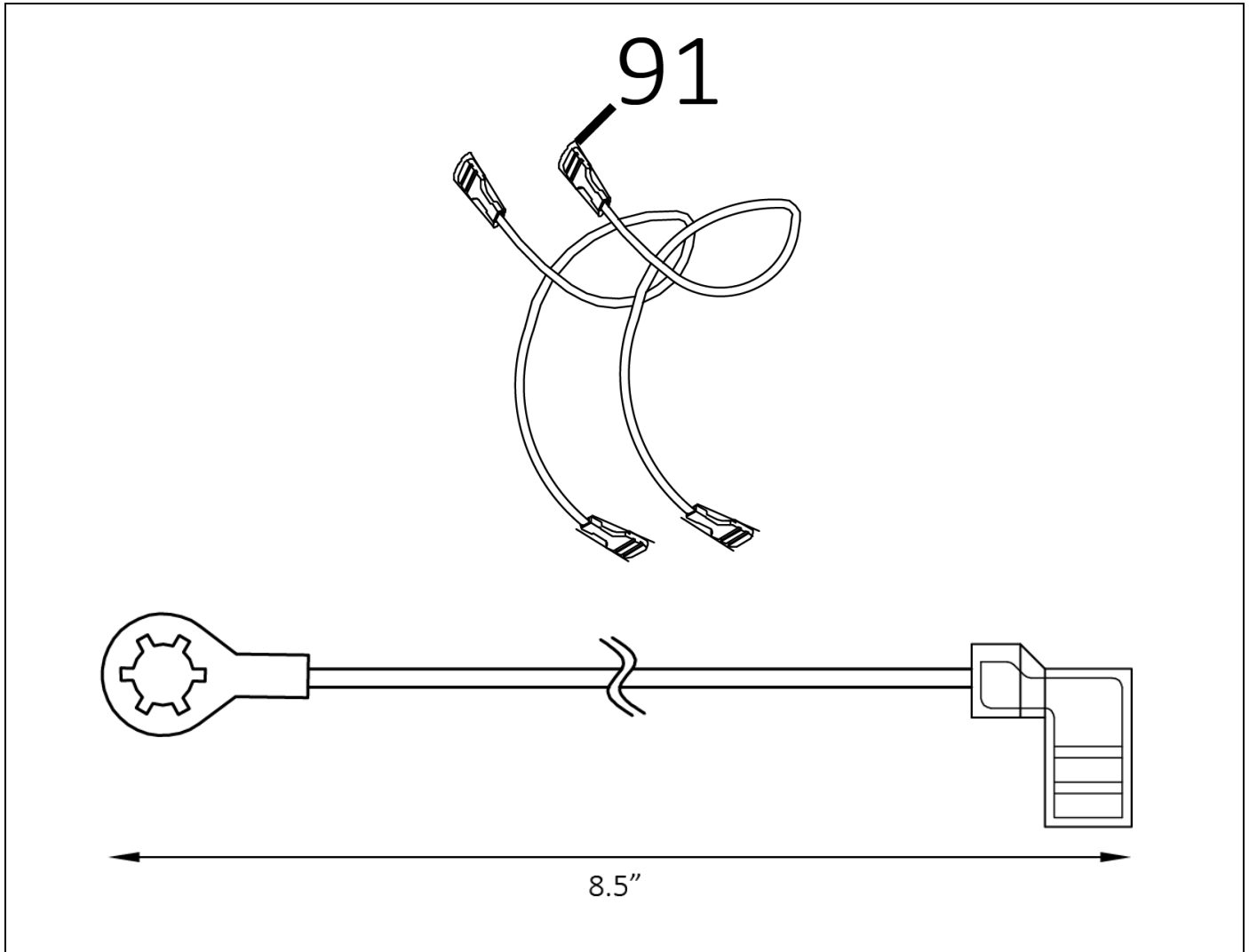


Bill of Material:

Key No:	Vendor Part No.	TRUE Part Number (if applicable)	Description:	Units:	Quantity:
207	XL-1533A	7TCS0020	Upper IOLCB Cable		1



TRUE FITNESS[®]
TRUE PART No: 7C528300
Vendor PART No: **XLT061**
Speed Sensor Ground Wire



Bill of Material:

Key No:	Vendor Part No.	TRUE Part Number (if applicable)	Description:	Units:	Quantity:
91	XLT061	7C528300	Speed Sensor Ground Wire		1