

ITEM NO.	True Part No	DK Part No	DESCRIPTION	QTY.
1	7TE0100	-	Frame Weldment Assembly	1
2	7TC0402R	-	Rear Roller Cover Assembly-RH	1
3	7TC0402L	-	Rear Roller Cover Assembly-LH	1
4	7TC0403	-	Straddle Cover Assembly - 55.75"	2
5	7TC0404	-	Cover-Boardside Plate Assembly	2
6	7TE0101R	-	Formed Side Trim Assembly-RH	1
7	7TE0101L	-	Formed Side Trim Assembly-LH	1
8	7TC0407	-	Rear Roller Mounting Hardware	1
9	7TC0408	-	Front Roller Bolt w/Hardware	1
10	7TE0102	-	Deck Hardware	1
11	7TC0410	-	Filter Assembly	1
12	7TE0103	-	Lower Board Assembly	1
13	7TC0412	-	Hole Cover Assembly-Crossmember	1
14	7TE0114	-	Incline Rack Assembly	1
15	7TC0416	-	Motor Cover Top Fastener	1
16	7TC0417L	-	Motor Cover Cap Assembly-LT	1
17	7TC0417R	-	Motor Cover Cap Assembly-RT	1
18	7TC0418	-	Motor Cover Assembly	1
19	7TC0419R	-	Handrail Assembly-RH	1
20	7TC0419L	-	Handrail Assembly-LH	1
21	7TC0420L	-	Pedestal Upright Assembly-LH	1
22	7TC0420R	-	Pedestal Upright Assembly-RH	1
23	7TE0104	-	Incline Motor Assembly	1
24	7TE0105	-	Drive Motor Mounting Hardware	1
25	7TE0106	-	Drive Motor Locating Hardware	1
26	7TE0107	-	Speed Sensor Assembly	1
27	7C461100	PN-BF5024	Swivel Foot	2
28	7TE0108	-	Power Panel Assembly	1
29	7TC0001	XLZ-TM	Power Cord - 110V	1
30	7TC0426	-	Power Cord Retainer Assembly-110V	1
31	7TC0003	P-2509B	Insert-Black Plastic, Straddle Cover - 55.63"	2
32	7TE0001L	C800030	Running Belt	1
33	7TE0002	MB-060	Deck	1
34	7EST0001	XM-264	Motor	1
35	7TE0004	CA-608J10	Drive Belt	1
36	7EST0006	NRL-027A	Rear Roller	1
37	7EST0005	NRL-027	Front Roller	1
38	7TC0429L	-	Shoulder Left Side Trim Assembly	1
39	7TC0429R	-	Shoulder Right Side Trim Assembly	1
40	7TC0430	-	Shoulder Plastic Bottom Assembly	1
41	7TC0431L	-	CHR Grip Assembly-LH	1
42	7TC0431R	-	CHR Grip Assembly-RH	1
43	7TC0432	-	Console Rear Cover Assembly	1
44	7TC0433	-	Console Mast Assembly	1
45	7TC0087	-	Safety Key Assembly	1
46	7TC0435	-	Top Pedestal Plastic Assembly	1
47	7TC0436	-	Salutron Board Assembly	1
48	7TC0437	-	Nucleus Board Assembly	1
49	7TC0438	-	Pedestal Top Weldment Assembly	1
50	7TC0442	-	Decline Assembly	1
51	7TE0109	-	Soft Select Assembly	1
52	7TE0110	-	Soft Select Guide Rod Assembly	1
53	7TE0111	-	Tie Mount Assembly	1
54	7TE0113	PEC-BWS-1112	Wire Clip Set (4)	1
55	7CT0076	XL-B73	Power Inlet Cord	1
56	7TCS0022	XHB-RE07S	Polar Receiver Assembly	1
57	7TE0112	-	Shim Assembly	2
58	70603300	-	Rehab Rail Assembly	1

CONFIDENTIAL INFORMATION OF TRUE FITNESS TECHNOLOGY, INC. OF FALLON, MO. IT IS LOANED FOR CONFIDENTIAL USE SUBJECT TO RETURN ON REQUEST, AND WITH THE MUTUAL UNDERSTANDING THAT IT WILL NOT BE USED IN ANY MANNER DETRIMENTAL TO THE INTERESTS OF TRUE FITNESS TECHNOLOGY, INC.

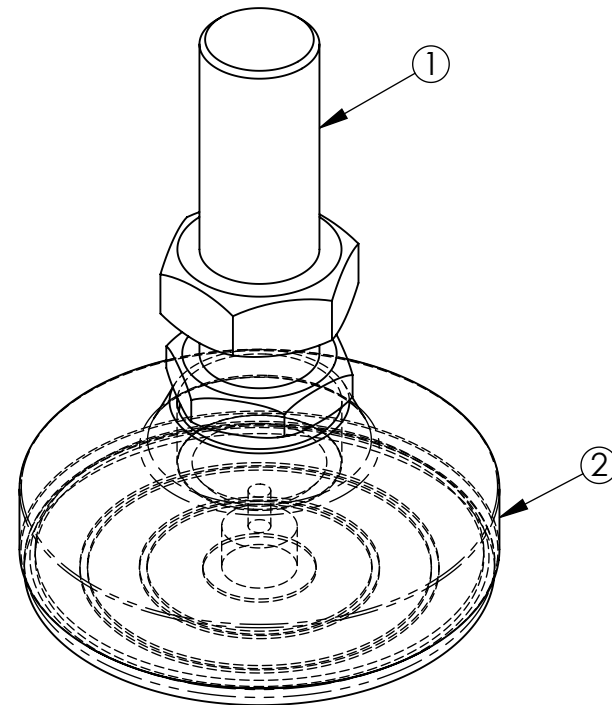
REV.		MCF#		DESCRIPTION		DATE	BY	APPRVL
A	-	-	-	ORIGINAL RELEASE	-	-	-	-

TITLE		TE900 Assembly	
BREAK ALL SHARP CORNERS & EDGES		MODEL:	
UNLESS OTHERWISE SPECIFIED DIMENSIONS ARE IN INCHES		MATERIAL:	
TOLERANCES UNLESS NOTED:		DRAWN BY	
FRACTIONS 1/32"		DATE	
DECIMALS .01"		APPR. BY	
XXX ±.015"		DATE	
XXX ±.005"		FINISH	
ANGULAR ±1°		SCALE	
DO NOT SCALE DRAWING		1:10	

	FWT	DM	3/1/17	DM	3/1/17	DM	3/1/17	DM	3/1/17	DM	3/1/17	DM	3/1/17	DM	3/1/17	DM	3/1/17	DM	3/1/17
FITNESS TECHNOLOGY, INC.		OF FALLON, MO. 63366		DWG. NO.		TRUE-NEW TE900B-16 2-23-17		REV.		1									



ITEM NO.	True Part No	DK Part No	DESCRIPTION	With Nut/QTY.
1	-	PN-BF5024_A	Swivel Mount	1
2	-	PN-BF5024_B	Swivel Foot	1

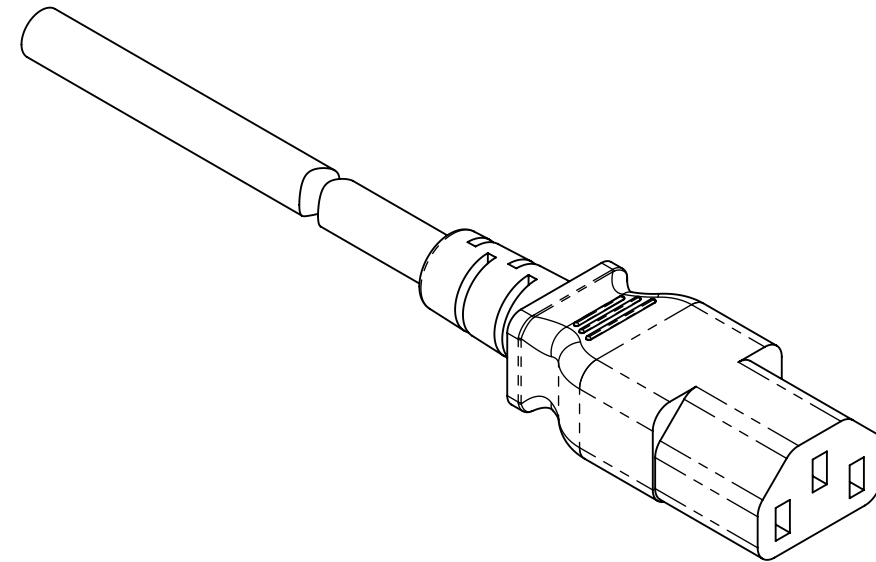


CONFIDENTIAL INFORMATION
 OF TRUE FITNESS TECHNOLOGY, INC. O'FALLON, MO. IT IS LOANED FOR
 CONFIDENTIAL USE. SUBJECT TO RETURN ON REQUEST, AND WITH THE
 MUTUAL UNDERSTANDING THAT IT WILL NOT BE USED IN ANY MANNER
 DETRIMENTAL TO THE INTERESTS OF TRUE FITNESS TECHNOLOGY, INC.

REV.	MCF#	DESCRIPTION	DATE	BY	APPRVL	TITLE	MODEL:	DATE	APPR. BY	DATE	FINISH	SCALE
A	-	ORIGINAL RELEASE	-	-	-	Swivel Foot		11/2/16				1:1
						BREAK ALL SHARP CORNERS & EDGES UNLESS OTHERWISE SPECIFIED DIMENSIONS ARE IN INCHES TOLERANCES UNLESS NOTED: FRACTIONS $\pm 1/32"$ DECIMALS: .X $\pm 0.031"$.XX $\pm 0.015"$.XXX $\pm 0.005"$ ANGULAR $\pm 1^\circ$ HOLES $\pm 0.005"$ DO NOT SCALE DRAWING						
						TRUE FITNESS TECHNOLOGY, INC. O'FALLON, MO. 63366	DWG. SIZE B	DWG NO. 7C461100				



ITEM NO.	True Part No	DK Part No	DESCRIPTION	QTY.
1	7CT0076	XL-873	Power Inlet Cord	1

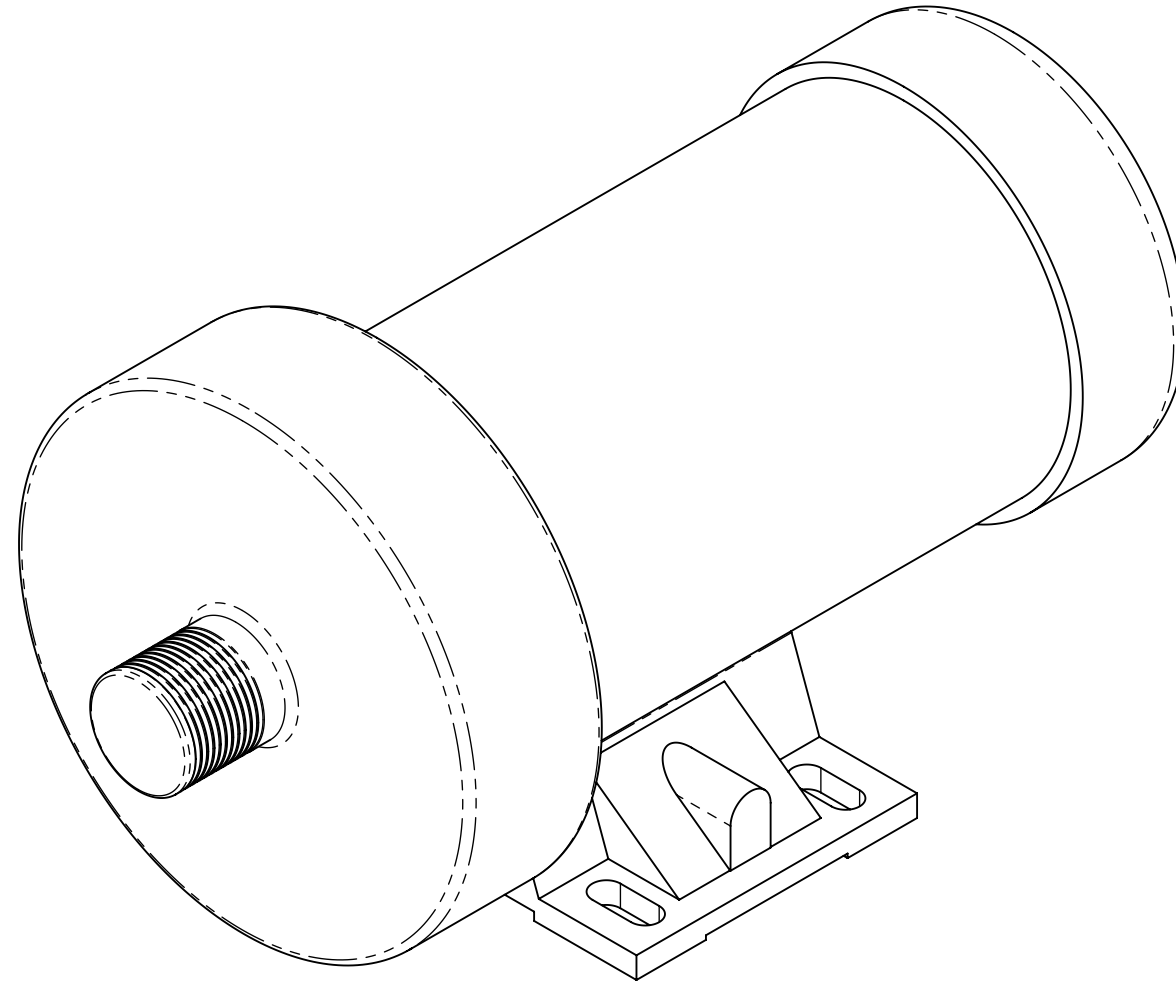


CONFIDENTIAL INFORMATION
 OF TRUE FITNESS TECHNOLOGY, INC. O'FALLON, MO. IT IS LOANED FOR
 CONFIDENTIAL USE. SUBJECT TO RETURN ON REQUEST, AND WITH THE
 MUTUAL UNDERSTANDING THAT IT WILL NOT BE USED IN ANY MANNER
 DETRIMENTAL TO THE INTERESTS OF TRUE FITNESS TECHNOLOGY, INC.

REV.	MCF#	DESCRIPTION	DATE	BY	APPRVL	TITLE	MODEL:	DATE	APPR. BY	DATE	FINISH	SCALE
						Power Inlet Cord	-					1:1
						BREAK ALL SHARP CORNERS & EDGES UNLESS OTHERWISE SPECIFIED DIMENSIONS ARE IN INCHES TOLERANCES UNLESS NOTED: FRACTIONS ±1/32" DECIMALS: .X ±.031" .XX ±.015" .XXX ±.005" ANGULAR ±1° HOLES ±.005" DO NOT SCALE DRAWING	MATERIAL:					
							DRAWN BY DM	DATE 3/3/17	APPR. BY -	DATE -	FINISH -	
A	-	ORIGINAL RELEASE	-	-	-							
							TRUE FITNESS TECHNOLOGY, INC. O'FALLON, MO. 63366	DWG. SIZE B	DWG NO. 7CT0076			



ITEM NO.	True Part No	DK Part No	DESCRIPTION	QTY.
1	7EST0001	XM-264	Motor	1

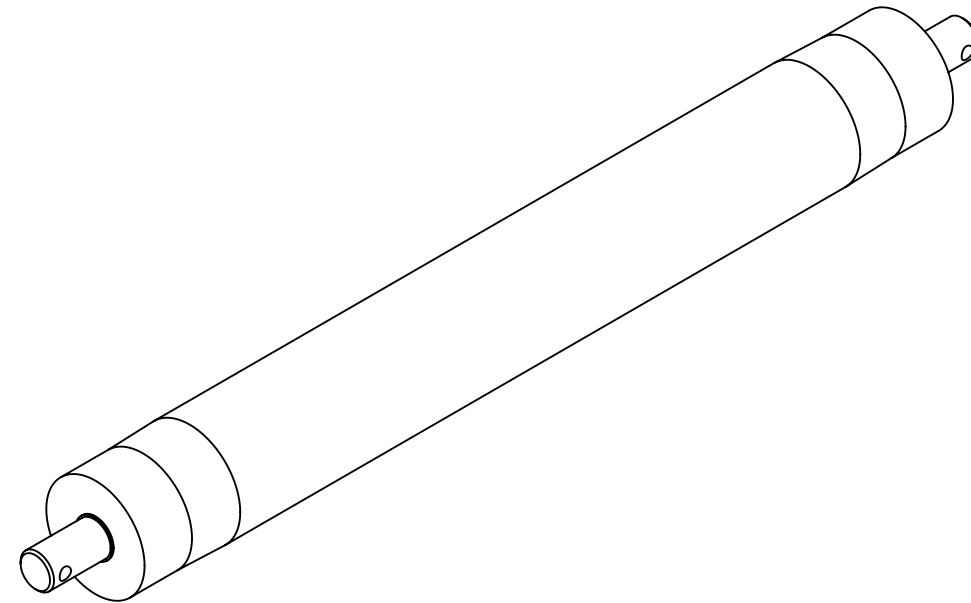


REV.	MCF#	DESCRIPTION	DATE	BY	APPRVL	TITLE	MODEL:	MATERIAL:	DRAWN BY	DATE	APPR. BY	DATE	FINISH	SCALE	REV.
						Motor			DM	2/22/17				1:2	
A	-	ORIGINAL RELEASE	-	-	-	BREAK ALL SHARP CORNERS & EDGES UNLESS OTHERWISE SPECIFIED DIMENSIONS ARE IN INCHES TOLERANCES UNLESS NOTED: FRACTIONS ±1/32" DECIMALS: .X ±.031" .XX ±.015" .XXX ±.005" ANGULAR ±1° HOLES ±.005" DO NOT SCALE DRAWING		DWG. SIZE B	DWG NO. 7EST0001						

CONFIDENTIAL INFORMATION OF TRUE FITNESS TECHNOLOGY, INC. O'FALLON, MO. IT IS LOANED FOR CONFIDENTIAL USE. SUBJECT TO RETURN ON REQUEST, AND WITH THE MUTUAL UNDERSTANDING THAT IT WILL NOT BE USED IN ANY MANNER DETRIMENTAL TO THE INTERESTS OF TRUE FITNESS TECHNOLOGY, INC.



ITEM NO.	True Part No	DK Part No	DESCRIPTION	QTY.
1	7EST0006	NRL-027A	Rear Roller	1

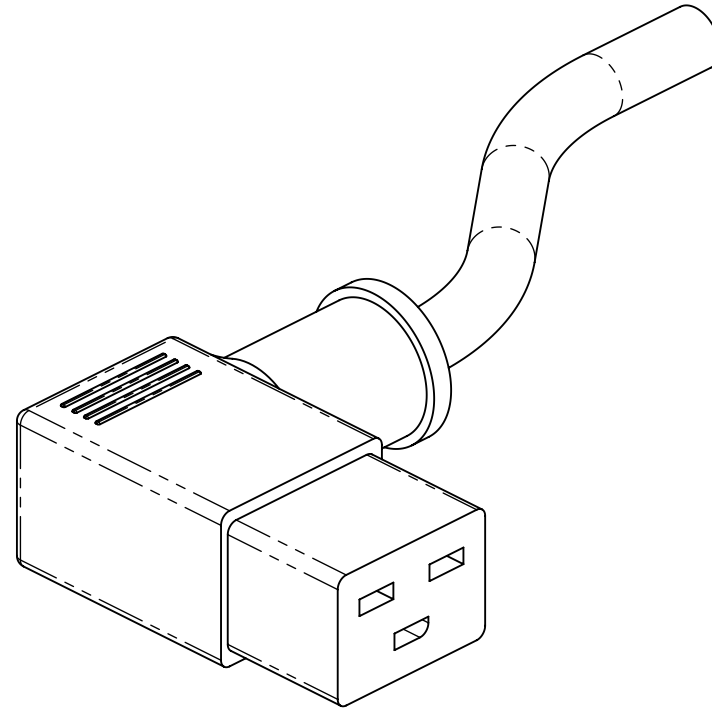


CONFIDENTIAL INFORMATION
 OF TRUE FITNESS TECHNOLOGY, INC. O'FALLON, MO. IT IS LOANED FOR
 CONFIDENTIAL USE. SUBJECT TO RETURN ON REQUEST, AND WITH THE
 MUTUAL UNDERSTANDING THAT IT WILL NOT BE USED IN ANY MANNER
 DETRIMENTAL TO THE INTERESTS OF TRUE FITNESS TECHNOLOGY, INC.

REV.	MCF#	DESCRIPTION	DATE	BY	APPRVL	TITLE	MODEL:	MATERIAL:	DRAWN BY	DATE	APPR. BY	DATE	FINISH	SCALE	REV.
						Rear Roller			DM	11/3/16				1:4	
A	-	ORIGINAL RELEASE	-	-	-										
						BREAK ALL SHARP CORNERS & EDGES UNLESS OTHERWISE SPECIFIED DIMENSIONS ARE IN INCHES TOLERANCES UNLESS NOTED: FRACTIONS ±1/32" DECIMALS: .X ±.031" .XX ±.015" .XXX ±.005" ANGULAR ±1° HOLES ±.005" DO NOT SCALE DRAWING									
									DWG. SIZE	DWG NO.					
									B	7EST0006					



ITEM NO.	True Part No	DK Part No	DESCRIPTION	QTY.
1	7TC0001	XLZ-TM	Power Cord - 110V	1

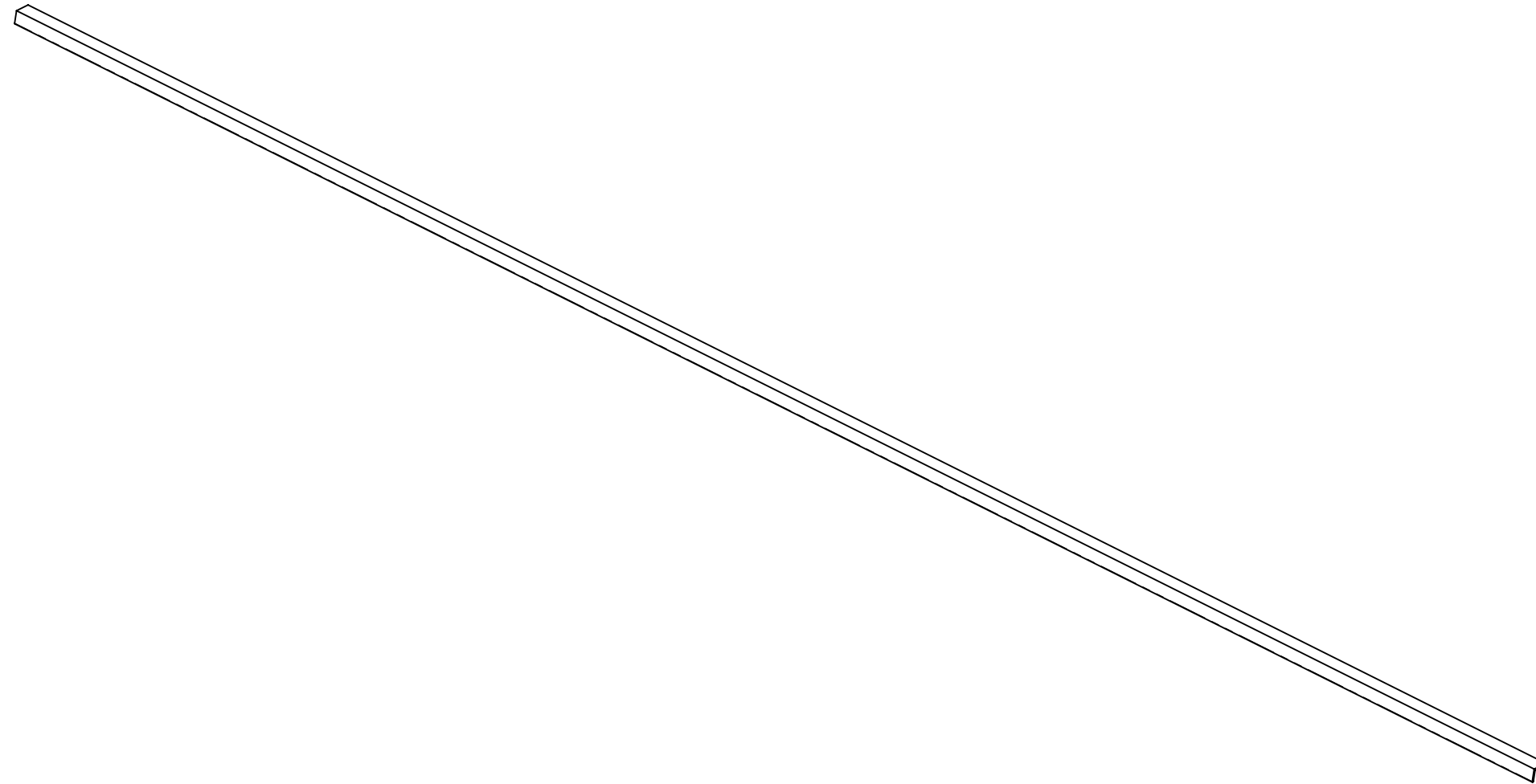


REV.	MCF#	DESCRIPTION	DATE	BY	APPRVL	TITLE	MODEL:	MATERIAL:	DRAWN BY	DATE	APPR. BY	DATE	FINISH	SCALE
						Power Cord - 110V			DM	11/2/16	-	-		1:1
A	-	ORIGINAL RELEASE	-	-	-	BREAK ALL SHARP CORNERS & EDGES UNLESS OTHERWISE SPECIFIED DIMENSIONS ARE IN INCHES TOLERANCES UNLESS NOTED: FRACTIONS ±1/32" DECIMALS: .X ±.031" .XX ±.015" .XXX ±.005" ANGULAR ±1° HOLES ±.005" DO NOT SCALE DRAWING					DWG. SIZE	DWG NO.	REV.	
							B	7TC0001						

CONFIDENTIAL INFORMATION OF TRUE FITNESS TECHNOLOGY, INC. O'FALLON, MO. IT IS LOANED FOR CONFIDENTIAL USE. SUBJECT TO RETURN ON REQUEST, AND WITH THE MUTUAL UNDERSTANDING THAT IT WILL NOT BE USED IN ANY MANNER DETRIMENTAL TO THE INTERESTS OF TRUE FITNESS TECHNOLOGY, INC.



ITEM NO.	True Part No	DK Part No	DESCRIPTION	QTY.
1	7TC0003	P-2509B	Insert-Black Plastic, Straddle Cover - 55.63"	1

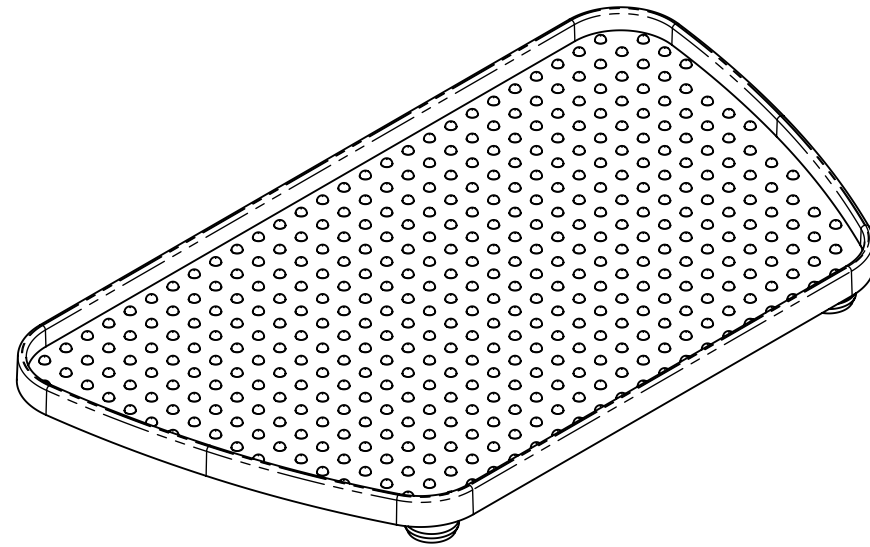


CONFIDENTIAL INFORMATION
 OF TRUE FITNESS TECHNOLOGY, INC. O'FALLON, MO. IT IS LOANED FOR
 CONFIDENTIAL USE. SUBJECT TO RETURN ON REQUEST, AND WITH THE
 MUTUAL UNDERSTANDING THAT IT WILL NOT BE USED IN ANY MANNER
 DETRIMENTAL TO THE INTERESTS OF TRUE FITNESS TECHNOLOGY, INC.

REV.	MCF#	DESCRIPTION	DATE	BY	APPRVL	TITLE	MODEL:	MATERIAL:	DRAWN BY	DATE	APPR. BY	DATE	FINISH	SCALE	REV.
						Insert-Black Plastic, Straddle Cover - 55.63"			DM	11/3/16				1:4	
A	-	ORIGINAL RELEASE	-	-	-	BREAK ALL SHARP CORNERS & EDGES UNLESS OTHERWISE SPECIFIED DIMENSIONS ARE IN INCHES TOLERANCES UNLESS NOTED: FRACTIONS ±1/32" DECIMALS: .X ±.031" .XX ±.015" .XXX ±.005" ANGULAR ±1° HOLES ±.005" DO NOT SCALE DRAWING									
									DWG. SIZE		DWG NO.				
									B		7TC0003				



ITEM NO.	True Part No	DK Part No	DESCRIPTION	QTY.
1	7TC0009	P-4573	Tray Insert Pad	1

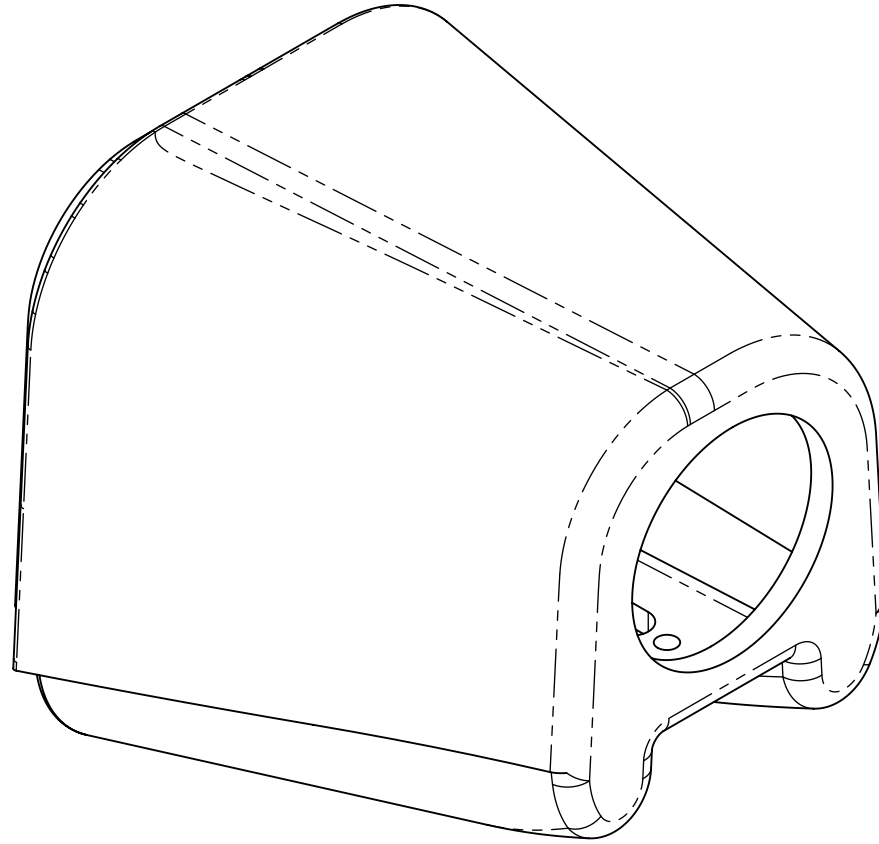


CONFIDENTIAL INFORMATION
 OF TRUE FITNESS TECHNOLOGY, INC. O'FALLON, MO. IT IS LOANED FOR
 CONFIDENTIAL USE. SUBJECT TO RETURN ON REQUEST, AND WITH THE
 MUTUAL UNDERSTANDING THAT IT WILL NOT BE USED IN ANY MANNER
 DETRIMENTAL TO THE INTERESTS OF TRUE FITNESS TECHNOLOGY, INC.

REV.	MCF#	DESCRIPTION	DATE	BY	APPRVL	TITLE						
A	-	ORIGINAL RELEASE	-	-	-	BREAK ALL SHARP CORNERS & EDGES UNLESS OTHERWISE SPECIFIED DIMENSIONS ARE IN INCHES TOLERANCES UNLESS NOTED: FRACTIONS $\pm 1/32"$ DECIMALS: .X $\pm 0.031"$.XX $\pm 0.015"$.XXX $\pm 0.005"$ ANGULAR $\pm 1^\circ$ HOLES $\pm 0.005"$ DO NOT SCALE DRAWING	Tray Insert Pad					
							MODEL:	-				
							MATERIAL:	-				
							DRAWN BY	DATE	APPR. BY	DATE	FINISH	SCALE
							DM	11/4/16	-	-	-	1:2
								DWG. SIZE	DWG NO.		REV.	
						B		7TC0009		-		



ITEM NO.	True Part No	DK Part No	DESCRIPTION	QTY.
1	7TC0010L	P-4581L	Transition Trim-LH	1

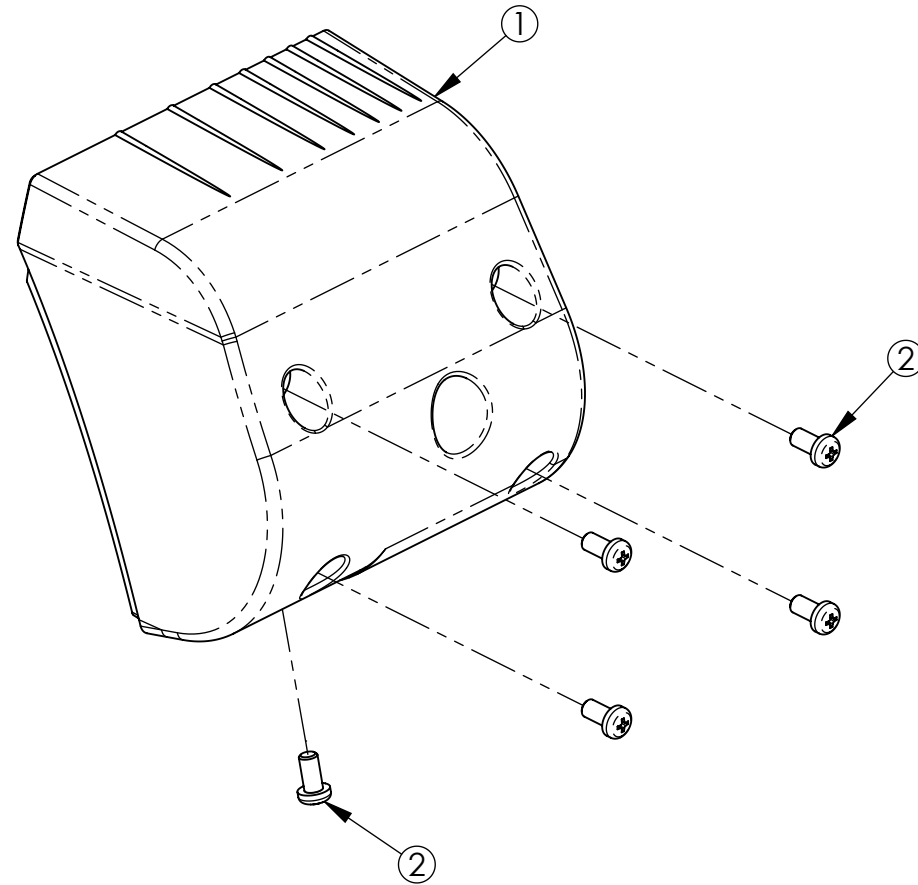


CONFIDENTIAL INFORMATION
 OF TRUE FITNESS TECHNOLOGY, INC. O'FALLON, MO. IT IS LOANED FOR
 CONFIDENTIAL USE. SUBJECT TO RETURN ON REQUEST, AND WITH THE
 MUTUAL UNDERSTANDING THAT IT WILL NOT BE USED IN ANY MANNER
 DETRIMENTAL TO THE INTERESTS OF TRUE FITNESS TECHNOLOGY, INC.

REV.	MCF#	DESCRIPTION	DATE	BY	APPRVL	TITLE	MODEL:	DATE	APPR. BY	DATE	FINISH	SCALE	REV.
						Transition Trim-LH	-					1:1	-
						BREAK ALL SHARP CORNERS & EDGES							
						UNLESS OTHERWISE SPECIFIED DIMENSIONS ARE IN INCHES							
						TOLERANCES UNLESS NOTED:							
						FRACTIONS ±1/32"							
						DECIMALS:							
						.X ±.031"							
						.XX ±.015"							
						.XXX ±.005"							
						ANGULAR ±1°							
						HOLES ±.005"							
						DO NOT SCALE DRAWING							
A	-	ORIGINAL RELEASE	-	-	-								
							TRUE FITNESS TECHNOLOGY, INC. O'FALLON, MO. 63366						
							DWG. SIZE B						
							DWG NO. 7TC0010L						



ITEM NO.	True Part No	DK Part No	DESCRIPTION	QTY.
1	7TC0011L	P-4570L	Rear Roller Cover-LH	1
2	7TI0011	SAA5-10	Bolt M5xP0.8x10	5

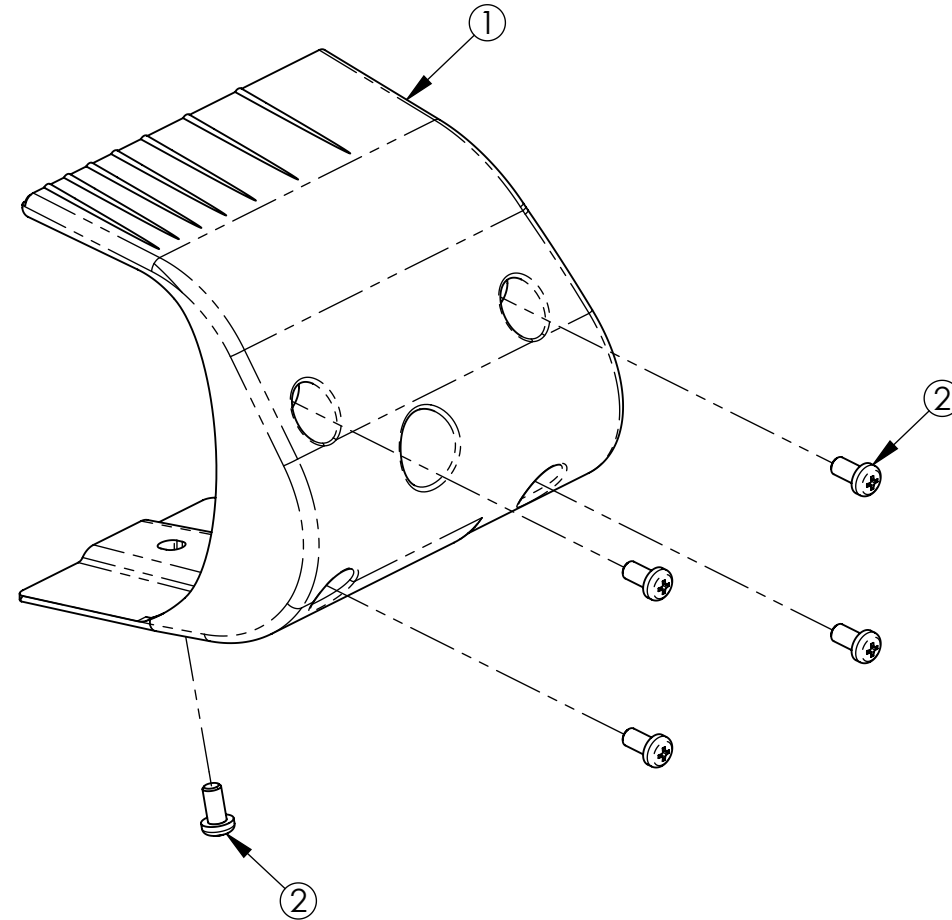


CONFIDENTIAL INFORMATION
 OF TRUE FITNESS TECHNOLOGY, INC. O'FALLON, MO. IT IS LOANED FOR
 CONFIDENTIAL USE. SUBJECT TO RETURN ON REQUEST, AND WITH THE
 MUTUAL UNDERSTANDING THAT IT WILL NOT BE USED IN ANY MANNER
 DETRIMENTAL TO THE INTERESTS OF TRUE FITNESS TECHNOLOGY, INC.

REV.	MCF#	DESCRIPTION	DATE	BY	APPRVL	TITLE	MODEL:	MATERIAL:	DRAWN BY	DATE	APPR. BY	DATE	FINISH	SCALE	REV.
A	-	ORIGINAL RELEASE	-	-	-	Rear Roller Cover Assembly-LH			DM	11/1/16				1:2	
						BREAK ALL SHARP CORNERS & EDGES UNLESS OTHERWISE SPECIFIED DIMENSIONS ARE IN INCHES TOLERANCES UNLESS NOTED: FRACTIONS ±1/32" DECIMALS: .X ±.031" .XX ±.015" .XXX ±.005" ANGULAR ±1° HOLES ±.005" DO NOT SCALE DRAWING									
									DWG. SIZE		DWG NO.				
									B		7TC0402L				



ITEM NO.	True Part No	DK Part No	DESCRIPTION	QTY.
1	7TC0011R	P-4570R	Rear Roller Cover-RH	1
2	7TI0011	SAA5-10	Bolt M5xP0.8x10	5

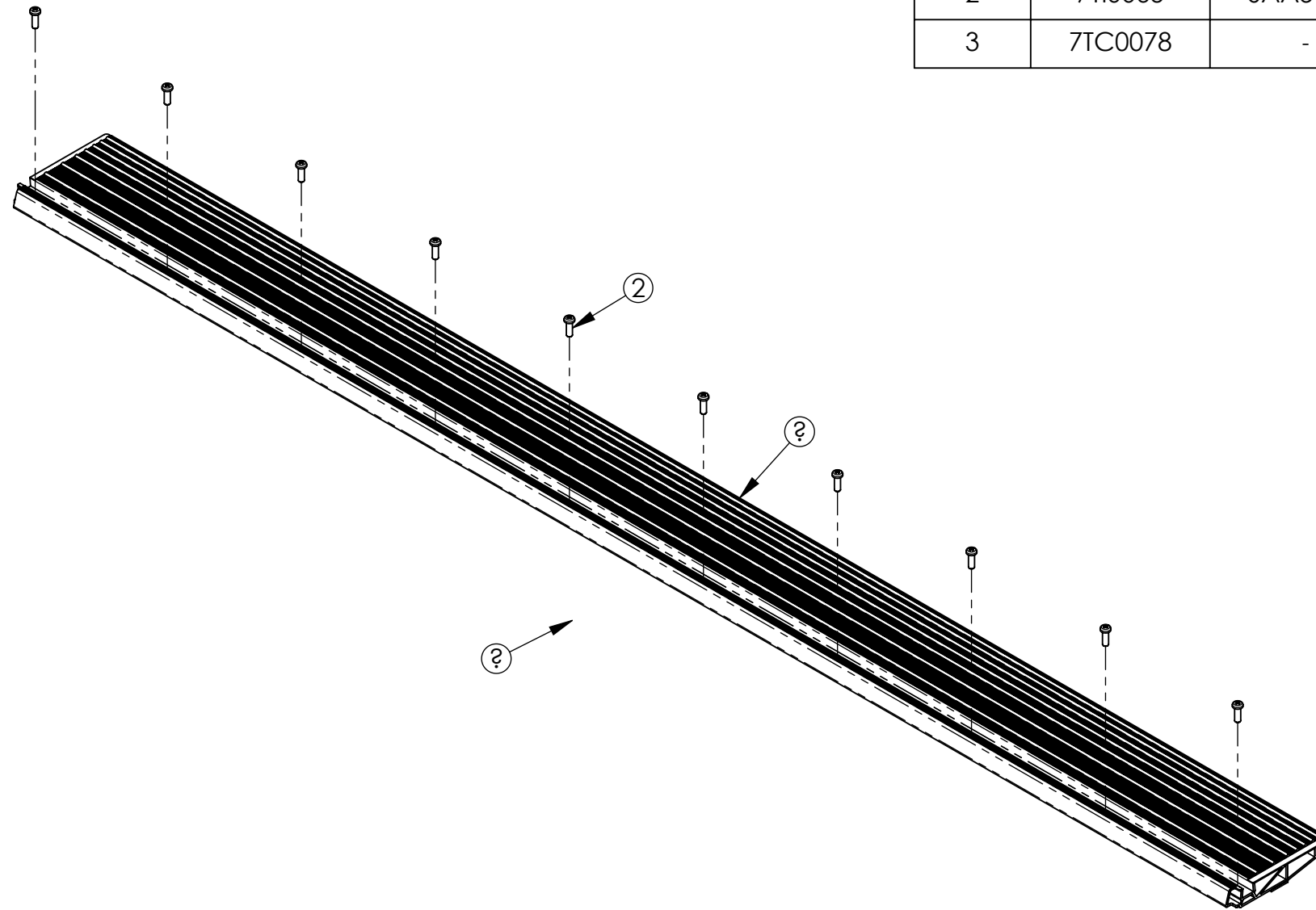


CONFIDENTIAL INFORMATION
 OF TRUE FITNESS TECHNOLOGY, INC. O'FALLON, MO. IT IS LOANED FOR
 CONFIDENTIAL USE. SUBJECT TO RETURN ON REQUEST, AND WITH THE
 MUTUAL UNDERSTANDING THAT IT WILL NOT BE USED IN ANY MANNER
 DETRIMENTAL TO THE INTERESTS OF TRUE FITNESS TECHNOLOGY, INC.

REV.	MCF#	DESCRIPTION	DATE	BY	APPRVL	TITLE	MODEL:	DATE	APPR. BY	DATE	FINISH	SCALE	REV.
A	-	ORIGINAL RELEASE	-	-	-	Rear Roller Cover Assembly-RH BREAK ALL SHARP CORNERS & EDGES UNLESS OTHERWISE SPECIFIED DIMENSIONS ARE IN INCHES TOLERANCES UNLESS NOTED: FRACTIONS ±1/32" DECIMALS: .X ±.031" .XX ±.015" .XXX ±.005" ANGULAR ±1° HOLES ±.005" DO NOT SCALE DRAWING						1:2	
							TRUE FITNESS TECHNOLOGY, INC. O'FALLON, MO. 63366	DWG. SIZE B		DWG NO. 7TC0402R			



ITEM NO.	True Part No	DK Part No	DESCRIPTION	QTY.
2	7TI0065	SAA5-15L	Bolt # 10-32UNFx15mm (Blue Nylok)	10
3	7TC0078	-	Straddle Cover with Tape - 55.75"	1

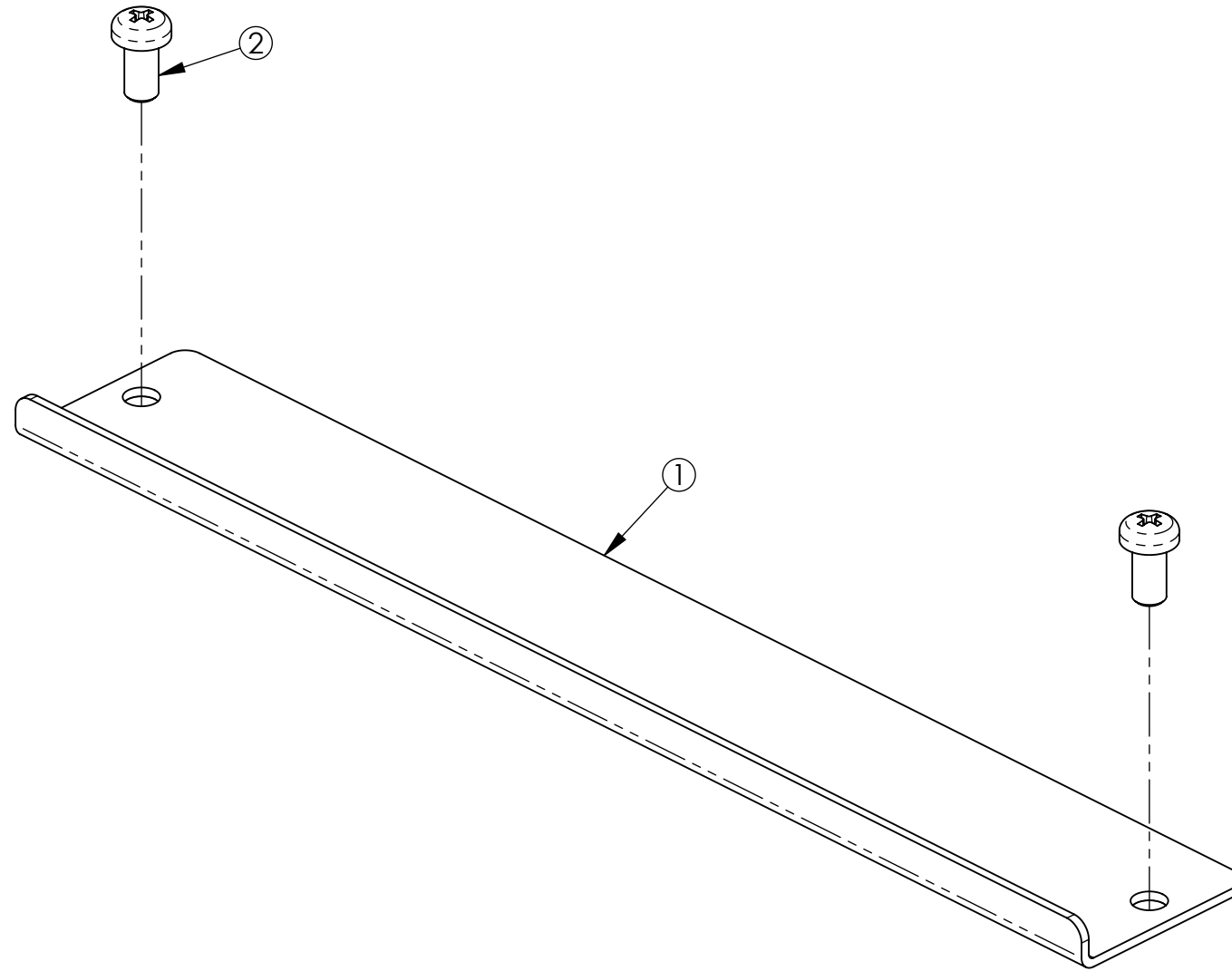


CONFIDENTIAL INFORMATION
 OF TRUE FITNESS TECHNOLOGY, INC. O'FALLON, MO. IT IS LOANED FOR
 CONFIDENTIAL USE. SUBJECT TO RETURN ON REQUEST, AND WITH THE
 MUTUAL UNDERSTANDING THAT IT WILL NOT BE USED IN ANY MANNER
 DETRIMENTAL TO THE INTERESTS OF TRUE FITNESS TECHNOLOGY, INC.

REV.	MCF#	DESCRIPTION	DATE	BY	APPRVL	TITLE	MODEL:	MATERIAL:	DRAWN BY	DATE	APPR. BY	DATE	FINISH	SCALE	REV.
						Straddle Cover Assembly - 55.75"			DM	11/1/16				1:5	
A	-	ORIGINAL RELEASE	-	-	-	BREAK ALL SHARP CORNERS & EDGES UNLESS OTHERWISE SPECIFIED DIMENSIONS ARE IN INCHES TOLERANCES UNLESS NOTED: FRACTIONS ±1/32" DECIMALS: .X ±.031" .XX ±.015" .XXX ±.005" ANGULAR ±1° HOLES ±.005" DO NOT SCALE DRAWING									
									DWG. SIZE		DWG NO.				
									B		7TC0403				



ITEM NO.	True Part No	DK Part No	DESCRIPTION	QTY.
1	7TC0013	NO-6935	Cover Boardside Plate	1
2	7TI0062	SAA5-10L	Bolt (Blue Nylok) #10-32UNFx10mm	2

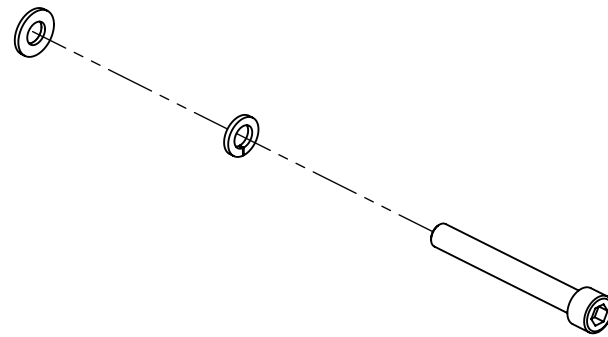
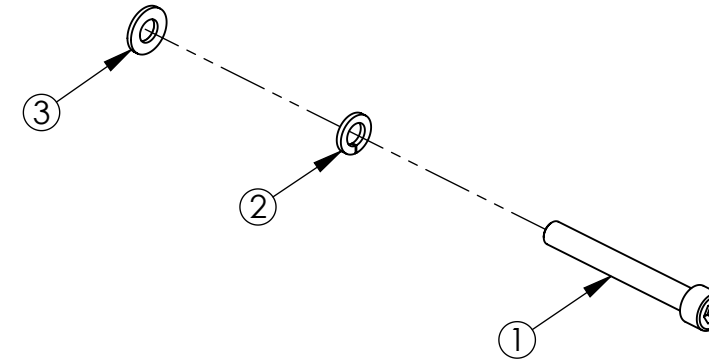


CONFIDENTIAL INFORMATION
 OF TRUE FITNESS TECHNOLOGY, INC. O'FALLON, MO. IT IS LOANED FOR
 CONFIDENTIAL USE. SUBJECT TO RETURN ON REQUEST, AND WITH THE
 MUTUAL UNDERSTANDING THAT IT WILL NOT BE USED IN ANY MANNER
 DETRIMENTAL TO THE INTERESTS OF TRUE FITNESS TECHNOLOGY, INC.

REV.	MCF#	DESCRIPTION	DATE	BY	APPRVL	TITLE	MODEL:	DATE	APPR. BY	DATE	FINISH	SCALE	REV.
A	-	ORIGINAL RELEASE	-	-	-	Cover-Boardside Plate Assembly BREAK ALL SHARP CORNERS & EDGES UNLESS OTHERWISE SPECIFIED DIMENSIONS ARE IN INCHES TOLERANCES UNLESS NOTED: FRACTIONS ±1/32" DECIMALS: .X ±.031" .XX ±.015" .XXX ±.005" ANGULAR ±1° HOLES ±.005" DO NOT SCALE DRAWING						1:1	
							FITNESS TECHNOLOGY, INC. O'FALLON, MO. 63366	DWG. SIZE B		DWG NO. 7TC0404			



ITEM NO.	True Part No	DK Part No	DESCRIPTION	QTY.
1	7TCS60020	SGA10-80I	Bolt M10x P1.5x110	2
2	7PS0024	SPB10	Spring Washer M10	2
3	7PS0057	SPA100-200-20	Washer 10x20x2.0t	2

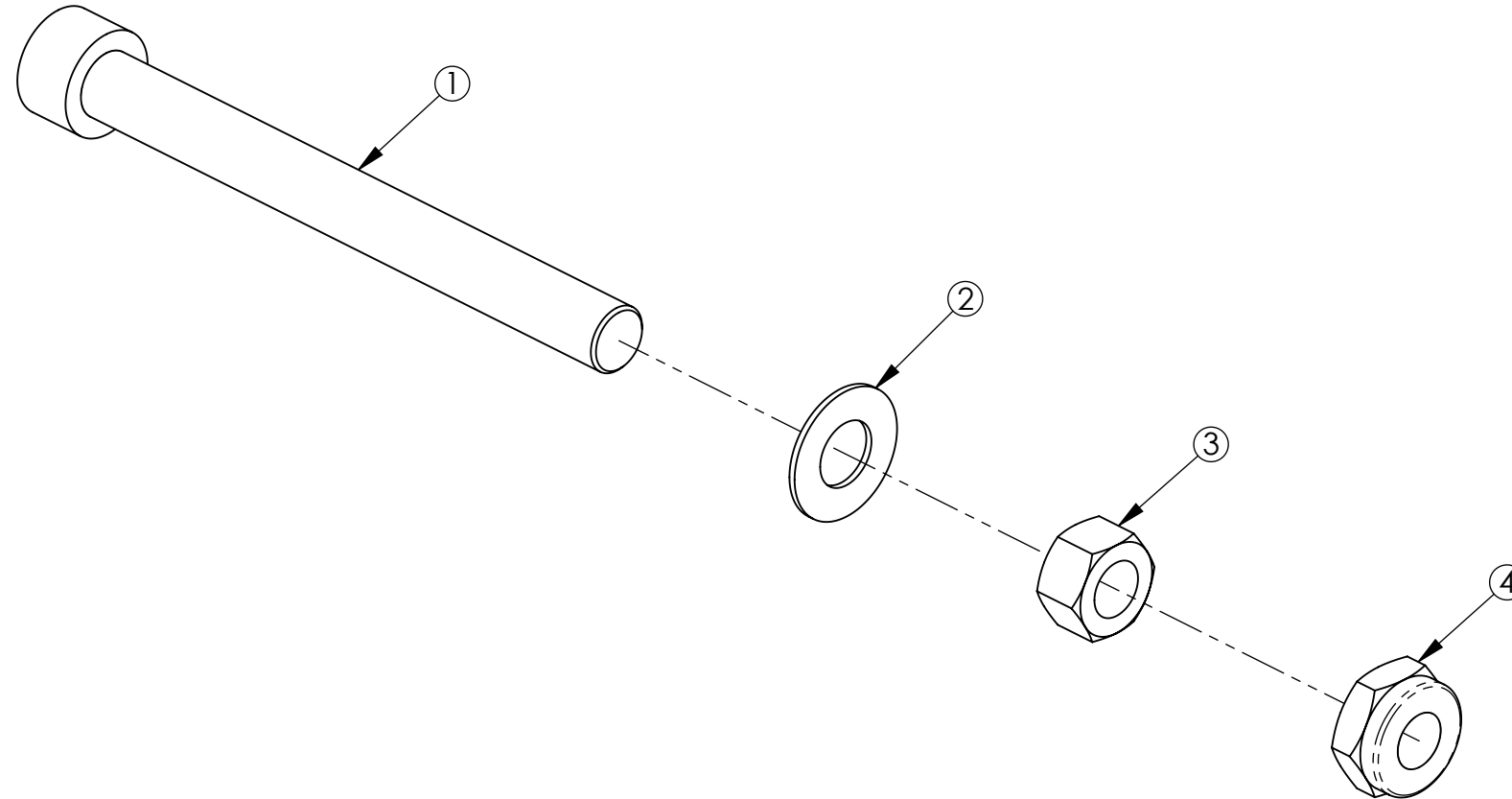


REV.	MCF#	DESCRIPTION	DATE	BY	APPRVL	TITLE	Rear Roller Mounting Hardware				SCALE
A	-	ORIGINAL RELEASE	-	-	-	BREAK ALL SHARP CORNERS & EDGES UNLESS OTHERWISE SPECIFIED DIMENSIONS ARE IN INCHES TOLERANCES UNLESS NOTED: FRACTIONS ±1/32" DECIMALS: .X ±.031" .XX ±.015" .XXX ±.005" ANGULAR ±1° HOLES ±.005" DO NOT SCALE DRAWING	MODEL:				1:3
							MATERIAL:				
						DRAWN BY DM	DATE 11/1/16	APPR. BY	DATE	FINISH	
						O'FALLON, MO. 63366		DWG. SIZE B	DWG NO. 7TC0407		REV.

CONFIDENTIAL INFORMATION
 OF TRUE FITNESS TECHNOLOGY, INC. O'FALLON, MO. IT IS LOANED FOR
 CONFIDENTIAL USE. SUBJECT TO RETURN ON REQUEST, AND WITH THE
 MUTUAL UNDERSTANDING THAT IT WILL NOT BE USED IN ANY MANNER
 DETRIMENTAL TO THE INTERESTS OF TRUE FITNESS TECHNOLOGY, INC.



ITEM NO.	True Part No	DK Part No	DESCRIPTION	QTY.
1	7PS0074	SGA10-100I	Bolt M10xP1.5x100	1
2	7TI0303	SPA100-200-10	Washer 10x20x1.0t	1
3	7PS0033	SOA10	Nut M10xP1.5	1
4	7TI0304	SOC10-8T	Nut M10xP1.5x8t	1

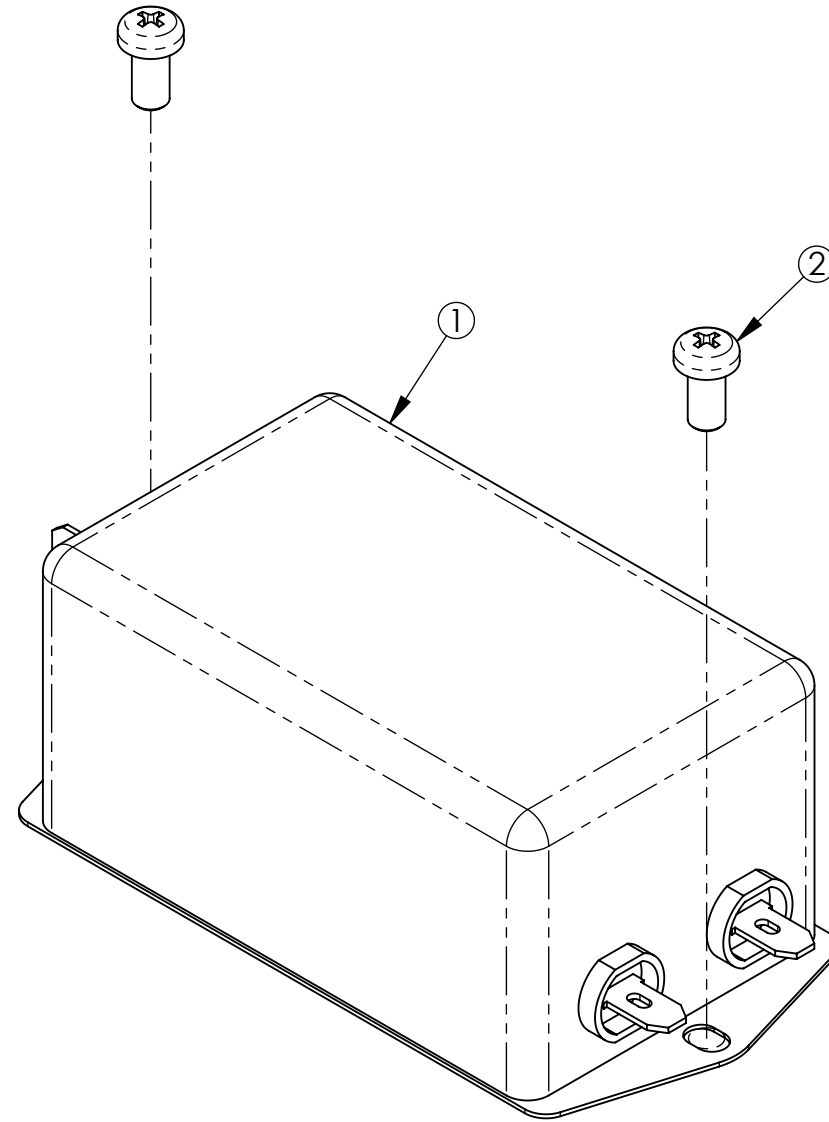


CONFIDENTIAL INFORMATION
 OF TRUE FITNESS TECHNOLOGY, INC. O'FALLON, MO. IT IS LOANED FOR
 CONFIDENTIAL USE. SUBJECT TO RETURN ON REQUEST, AND WITH THE
 MUTUAL UNDERSTANDING THAT IT WILL NOT BE USED IN ANY MANNER
 DETRIMENTAL TO THE INTERESTS OF TRUE FITNESS TECHNOLOGY, INC.

REV.	MCF#	DESCRIPTION	DATE	BY	APPRVL	TITLE	MODEL:	MATERIAL:	DRAWN BY	DATE	APPR. BY	DATE	FINISH	SCALE	REV.
A	-	ORIGINAL RELEASE	-	-	-	Front Roller Bolt w/Hardware			DM	11/1/16				1:1	
						BREAK ALL SHARP CORNERS & EDGES UNLESS OTHERWISE SPECIFIED DIMENSIONS ARE IN INCHES TOLERANCES UNLESS NOTED: FRACTIONS ±1/32" DECIMALS: .X ±.031" .XX ±.015" .XXX ±.005" ANGULAR ±1° HOLES ±.005" DO NOT SCALE DRAWING									
									FITNESS TECHNOLOGY, INC. O'FALLON, MO. 63366						
									DWG. SIZE	DWG NO.					
									B	7TC0408					



ITEM NO.	True Part No	DK Part No	DESCRIPTION	QTY.
1	7TI0043	XEB-011A	Filter	1
2	7TI0062	SAA5-10L	Bolt (Blue Nylok) #10-32UNFx10mm	2

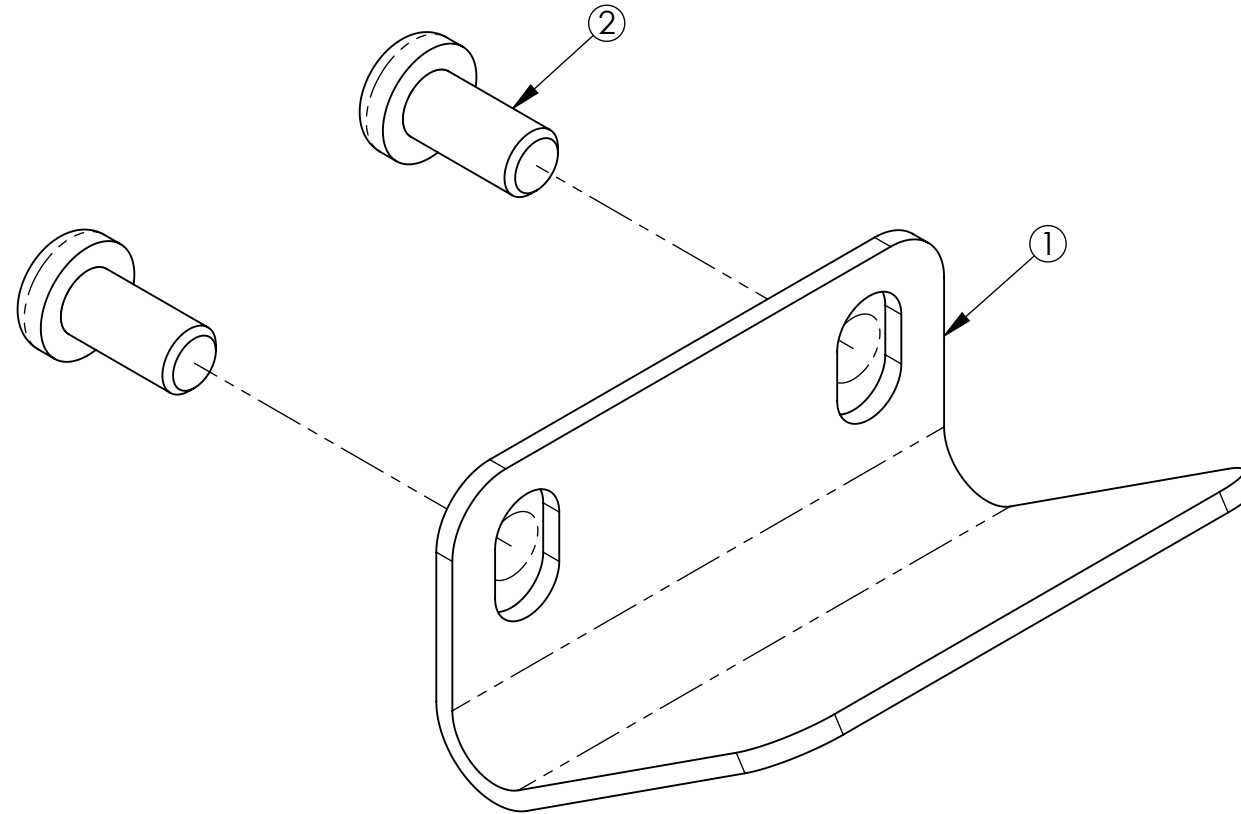


CONFIDENTIAL INFORMATION
 OF TRUE FITNESS TECHNOLOGY, INC. O'FALLON, MO. IT IS LOANED FOR
 CONFIDENTIAL USE. SUBJECT TO RETURN ON REQUEST, AND WITH THE
 MUTUAL UNDERSTANDING THAT IT WILL NOT BE USED IN ANY MANNER
 DETRIMENTAL TO THE INTERESTS OF TRUE FITNESS TECHNOLOGY, INC.

REV.	MCF#	DESCRIPTION	DATE	BY	APPRVL	TITLE	Filter Assembly				SCALE
A	-	ORIGINAL RELEASE	-	-	-	BREAK ALL SHARP CORNERS & EDGES UNLESS OTHERWISE SPECIFIED DIMENSIONS ARE IN INCHES TOLERANCES UNLESS NOTED: FRACTIONS ±1/32" DECIMALS: .X ±.031" .XX ±.015" .XXX ±.005" ANGULAR ±1° HOLES ±.005" DO NOT SCALE DRAWING	MODEL:				1:1
							MATERIAL:				
						DRAWN BY DM	DATE 11/1/16	APPR. BY	DATE	FINISH	
								DWG. SIZE B	DWG NO. 7TC0410		



ITEM NO.	True Part No	DK Part No	DESCRIPTION	QTY.
1	7TC0017	NO-6938	Hole Cover-Crossmember	1
2	7TI0062	SAA5-10L	Bolt (Blue Nylok) #10-32UNFx10mm	2

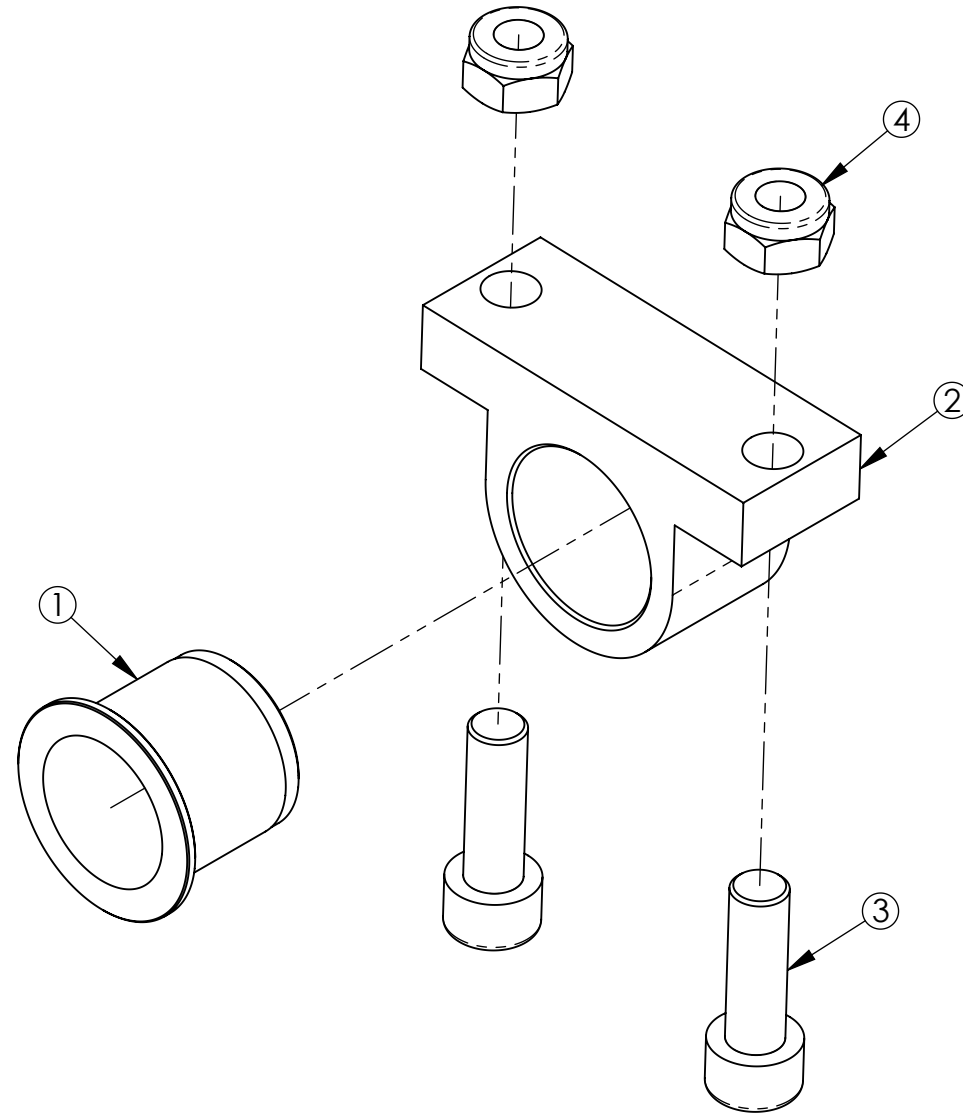


CONFIDENTIAL INFORMATION
 OF TRUE FITNESS TECHNOLOGY, INC. O'FALLON, MO. IT IS LOANED FOR
 CONFIDENTIAL USE. SUBJECT TO RETURN ON REQUEST, AND WITH THE
 MUTUAL UNDERSTANDING THAT IT WILL NOT BE USED IN ANY MANNER
 DETRIMENTAL TO THE INTERESTS OF TRUE FITNESS TECHNOLOGY, INC.

REV.	MCF#	DESCRIPTION	DATE	BY	APPRVL	TITLE	MODEL:	MATERIAL:	DRAWN BY	DATE	APPR. BY	DATE	FINISH	SCALE	REV.
						Hole Cover Assembly-Crossmember			DM	11/1/16				2:1	
A	-	ORIGINAL RELEASE	-	-	-	BREAK ALL SHARP CORNERS & EDGES UNLESS OTHERWISE SPECIFIED DIMENSIONS ARE IN INCHES TOLERANCES UNLESS NOTED: FRACTIONS ±1/32" DECIMALS: .X ±.031" .XX ±.015" .XXX ±.005" ANGULAR ±1° HOLES ±.005" DO NOT SCALE DRAWING									
									DWG. SIZE		DWG NO.				
									B		7TC0412				



ITEM NO.	True Part No	DK Part No	DESCRIPTION	QTY.
1	7TPS8144	P-1037	Bushing	1
2	7TPS8145	NT-1000	Incline Fixity	1
3	7PS0100	SGA8-25I	Bolt M8xP1.25x25	2
4	7PS0101	SOC8	Nut M8xP1.25	2

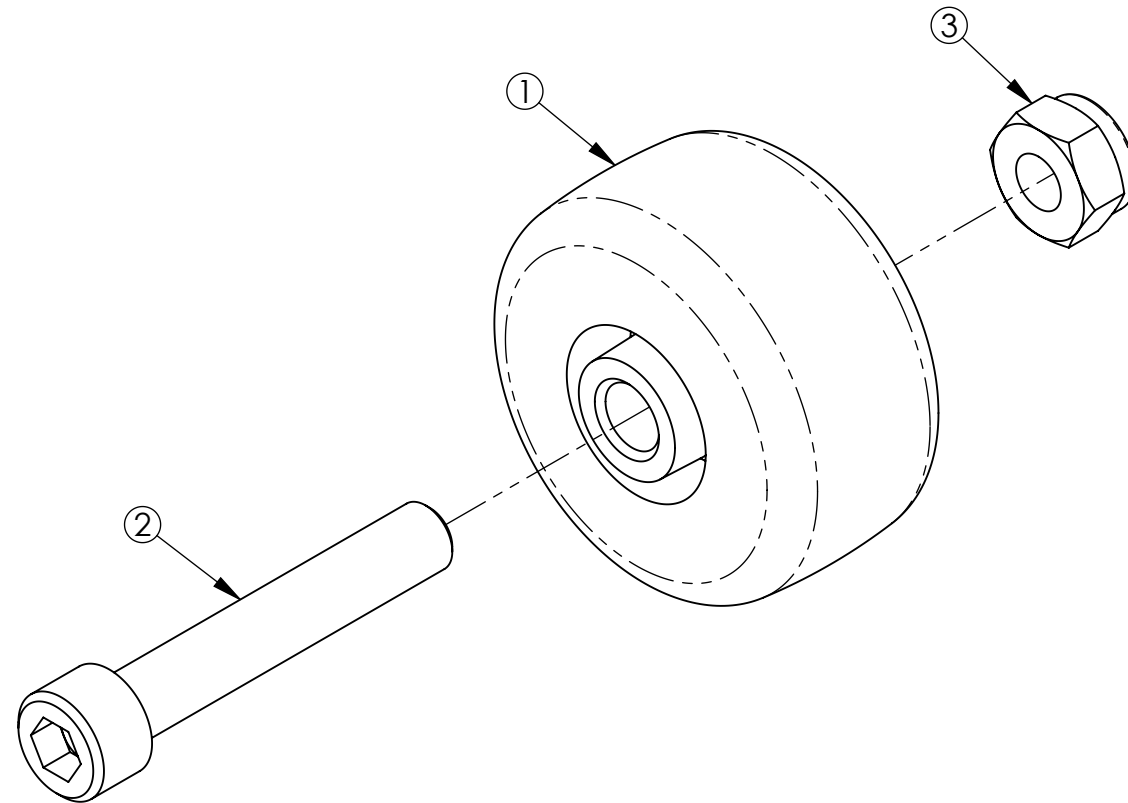


CONFIDENTIAL INFORMATION
 OF TRUE FITNESS TECHNOLOGY, INC. O'FALLON, MO. IT IS LOANED FOR
 CONFIDENTIAL USE. SUBJECT TO RETURN ON REQUEST, AND WITH THE
 MUTUAL UNDERSTANDING THAT IT WILL NOT BE USED IN ANY MANNER
 DETRIMENTAL TO THE INTERESTS OF TRUE FITNESS TECHNOLOGY, INC.

REV.	MCF#	DESCRIPTION	DATE	BY	APPRVL	TITLE	MODEL:	MATERIAL:	DRAWN BY	DATE	APPR. BY	DATE	FINISH	SCALE	REV.
						Incline Bearing Block Assembly BREAK ALL SHARP CORNERS & EDGES UNLESS OTHERWISE SPECIFIED DIMENSIONS ARE IN INCHES TOLERANCES UNLESS NOTED: FRACTIONS ±1/32" DECIMALS: .X ±.031" .XX ±.015" .XXX ±.005" ANGULAR ±1° HOLES ±.005" DO NOT SCALE DRAWING			DM	11/1/16				1:1	
A	-	ORIGINAL RELEASE	-	-	-										
									DWG. SIZE		DWG NO.				
									B		7TC0414				



ITEM NO.	True Part No	DK Part No	DESCRIPTION	QTY.
1	7PS0070	PB-00-003	Roller 60x10x30	1
2	7PS0071	SGC10-60-30I	Bolt M10xP1.5x60 (Tooth 30mm)	1
3	7PS0028	SOC10	Nut M10xP1.5	1

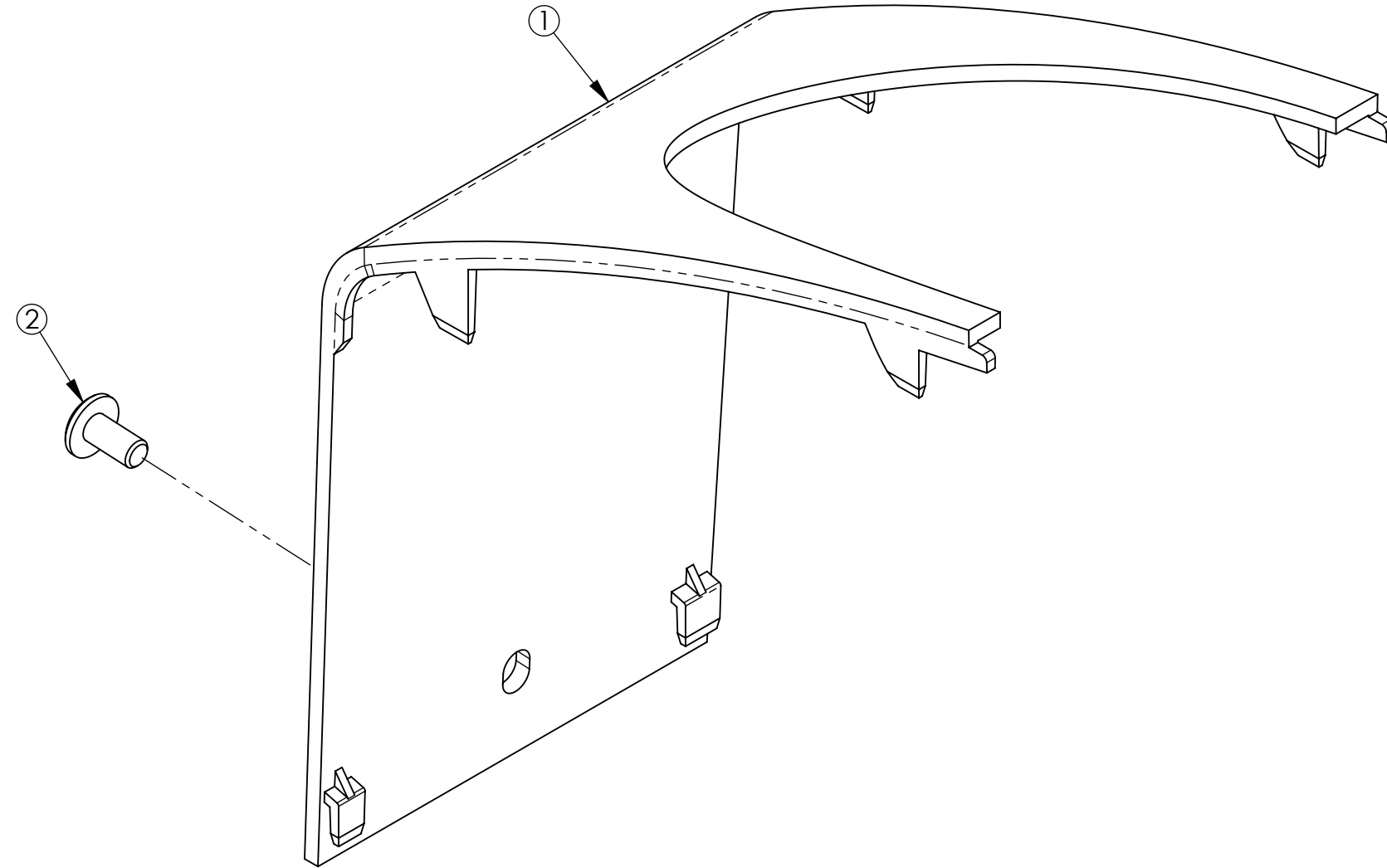


CONFIDENTIAL INFORMATION
 OF TRUE FITNESS TECHNOLOGY, INC. O'FALLON, MO. IT IS LOANED FOR
 CONFIDENTIAL USE. SUBJECT TO RETURN ON REQUEST, AND WITH THE
 MUTUAL UNDERSTANDING THAT IT WILL NOT BE USED IN ANY MANNER
 DETRIMENTAL TO THE INTERESTS OF TRUE FITNESS TECHNOLOGY, INC.

REV.	MCF#	DESCRIPTION	DATE	BY	APPRVL	TITLE	MODEL:	MATERIAL:	DRAWN BY	DATE	APPR. BY	DATE	FINISH	SCALE
A	-	ORIGINAL RELEASE	-	-	-	Incline Wheel Assembly BREAK ALL SHARP CORNERS & EDGES UNLESS OTHERWISE SPECIFIED DIMENSIONS ARE IN INCHES TOLERANCES UNLESS NOTED: FRACTIONS ±1/32" DECIMALS: .X ±.031" .XX ±.015" .XXX ±.005" ANGULAR ±1° HOLES ±.005" DO NOT SCALE DRAWING			DM	11/1/16				1:1
												DWG. SIZE	DWG NO.	
												B	7TC0415	



ITEM NO.	True Part No	DK Part No	DESCRIPTION	QTY.
1	7TC0020L	P-4576L	Motor Cover Cap-LT	1
2	7FE0024	SCA5-10	Bolt M5xP0.8x10	1

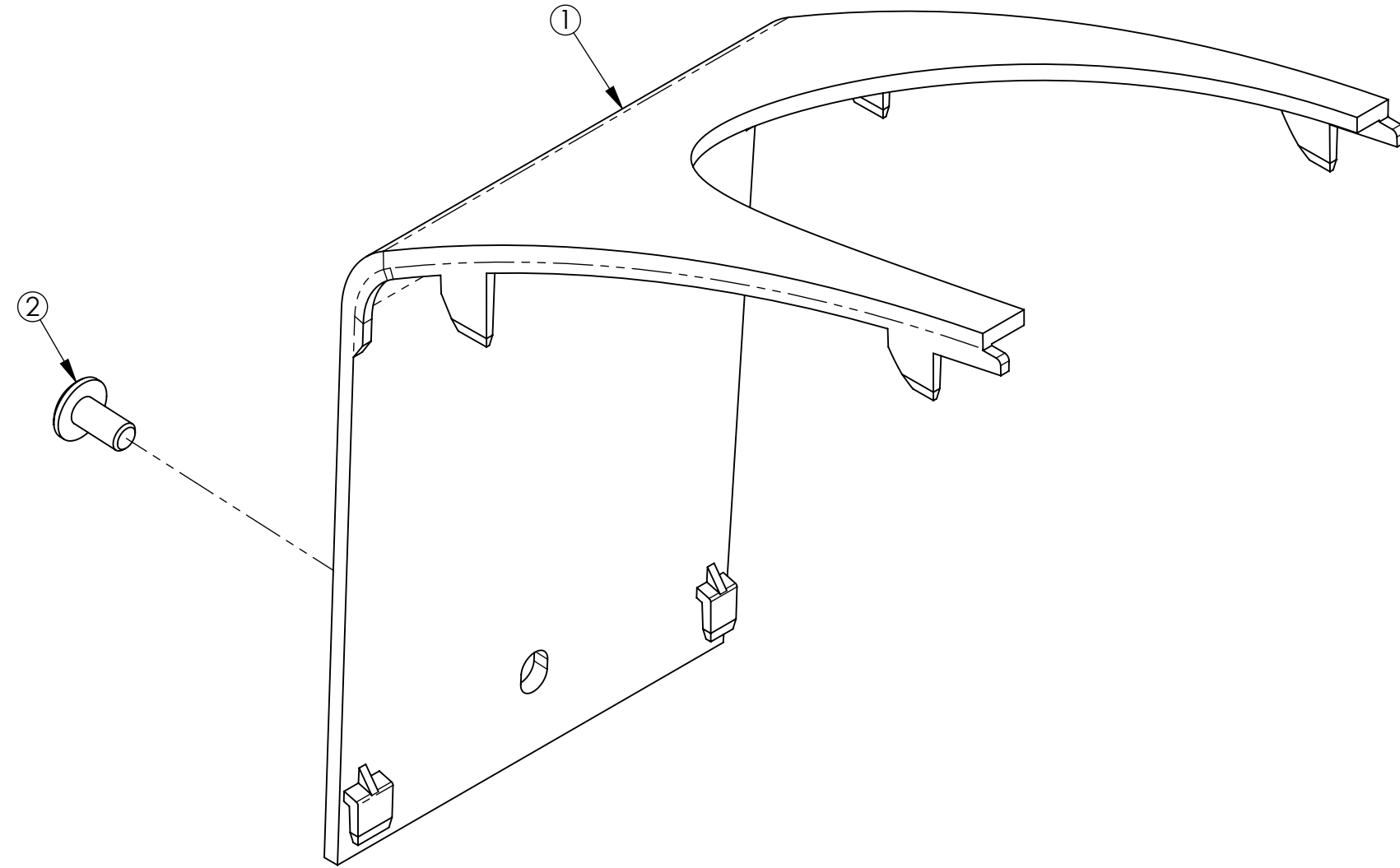


CONFIDENTIAL INFORMATION
 OF TRUE FITNESS TECHNOLOGY, INC. O'FALLON, MO. IT IS LOANED FOR
 CONFIDENTIAL USE. SUBJECT TO RETURN ON REQUEST, AND WITH THE
 MUTUAL UNDERSTANDING THAT IT WILL NOT BE USED IN ANY MANNER
 DETRIMENTAL TO THE INTERESTS OF TRUE FITNESS TECHNOLOGY, INC.

REV.	MCF#	DESCRIPTION	DATE	BY	APPRVL	TITLE	MODEL:	MATERIAL:	DRAWN BY	DATE	APPR. BY	DATE	FINISH	SCALE	REV.
						Motor Cover Cap Assembly-LT			DM	11/1/16				1:1	
A	-	ORIGINAL RELEASE	-	-	-	BREAK ALL SHARP CORNERS & EDGES UNLESS OTHERWISE SPECIFIED DIMENSIONS ARE IN INCHES TOLERANCES UNLESS NOTED: FRACTIONS ±1/32" DECIMALS: .X ±.031" .XX ±.015" .XXX ±.005" ANGULAR ±1° HOLES ±.005" DO NOT SCALE DRAWING									
									DWG. SIZE	DWG NO.					
									B	7TC0417L					



ITEM NO.	True Part No	DK Part No	DESCRIPTION	QTY.
1	7TC0020R	P-4576R	Motor Cover Cap-RT	1
2	7FE0024	SCA5-10	Bolt M5xP0.8x10	1

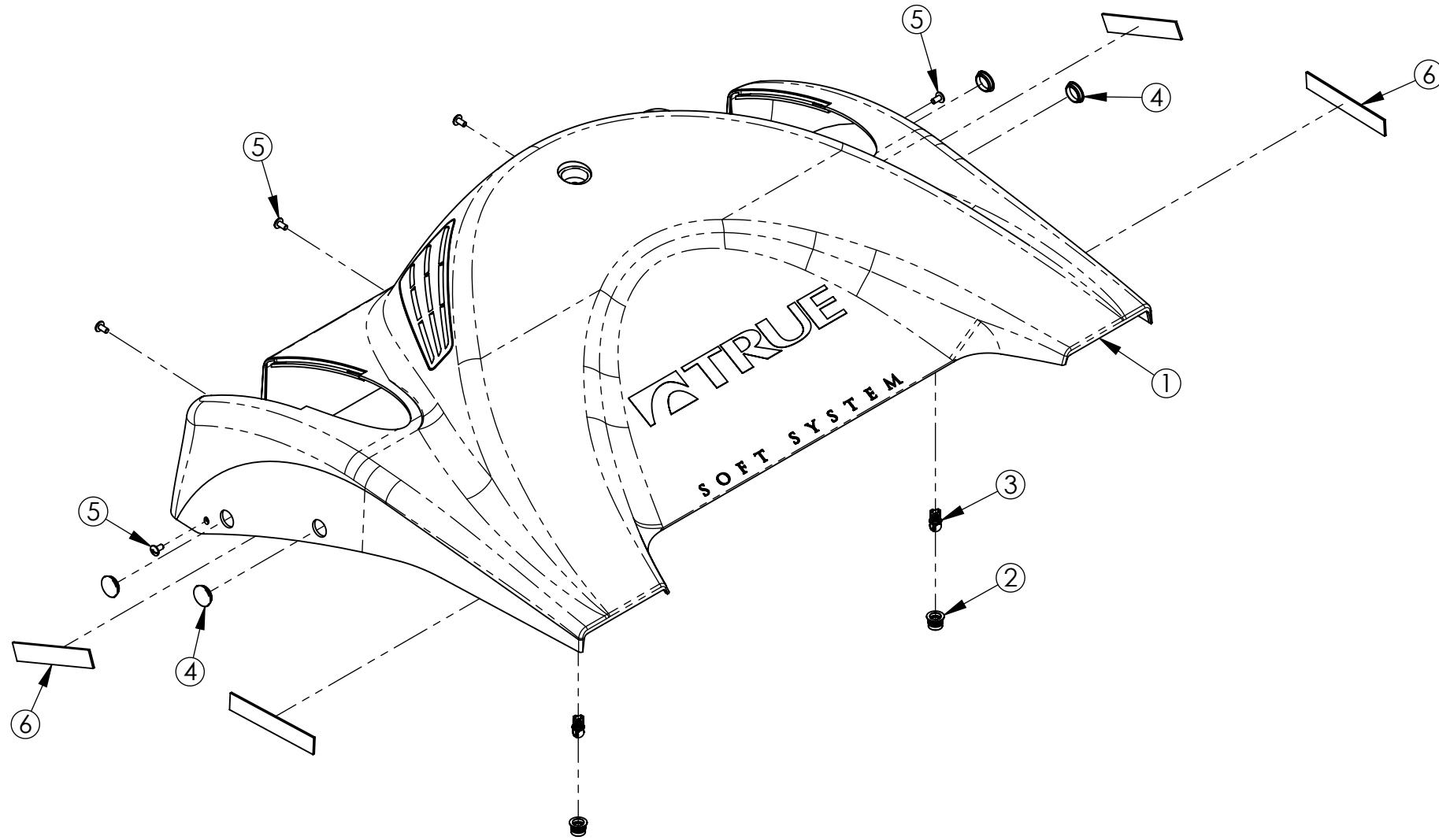


CONFIDENTIAL INFORMATION
 OF TRUE FITNESS TECHNOLOGY, INC. O'FALLON, MO. IT IS LOANED FOR
 CONFIDENTIAL USE. SUBJECT TO RETURN ON REQUEST, AND WITH THE
 MUTUAL UNDERSTANDING THAT IT WILL NOT BE USED IN ANY MANNER
 DETRIMENTAL TO THE INTERESTS OF TRUE FITNESS TECHNOLOGY, INC.

REV.	MCF#	DESCRIPTION	DATE	BY	APPRVL	TITLE	MODEL:	MATERIAL:	DRAWN BY	DATE	APPR. BY	DATE	FINISH	SCALE	REV.
						Motor Cover Cap Assembly-RT			DM	11/1/16				1:1	
A	-	ORIGINAL RELEASE	-	-	-	BREAK ALL SHARP CORNERS & EDGES UNLESS OTHERWISE SPECIFIED DIMENSIONS ARE IN INCHES TOLERANCES UNLESS NOTED: FRACTIONS ±1/32" DECIMALS: .X ±.031" .XX ±.015" .XXX ±.005" ANGULAR ±1° HOLES ±.005" DO NOT SCALE DRAWING									
									DWG. SIZE	DWG NO.					
									B	7TC0417R					



ITEM NO.	True Part No	DK Part No	DESCRIPTION	QTY.
1	7TC0022	P-4575	Motor Cover	1
2	7TC0021	P-2805	TREELOK BALL-Bottom	2
3	7TCS6002X	P-2804	TREELOK BALL-Top	2
4	7TC0023	P-4580	Bolt Cover	4
5	7FE0024	SCA5-10	Bolt M5xP0.8x10	5
6	-	BAA1150-200-20	Foam Tape 115mmx20mmx2.0t	4

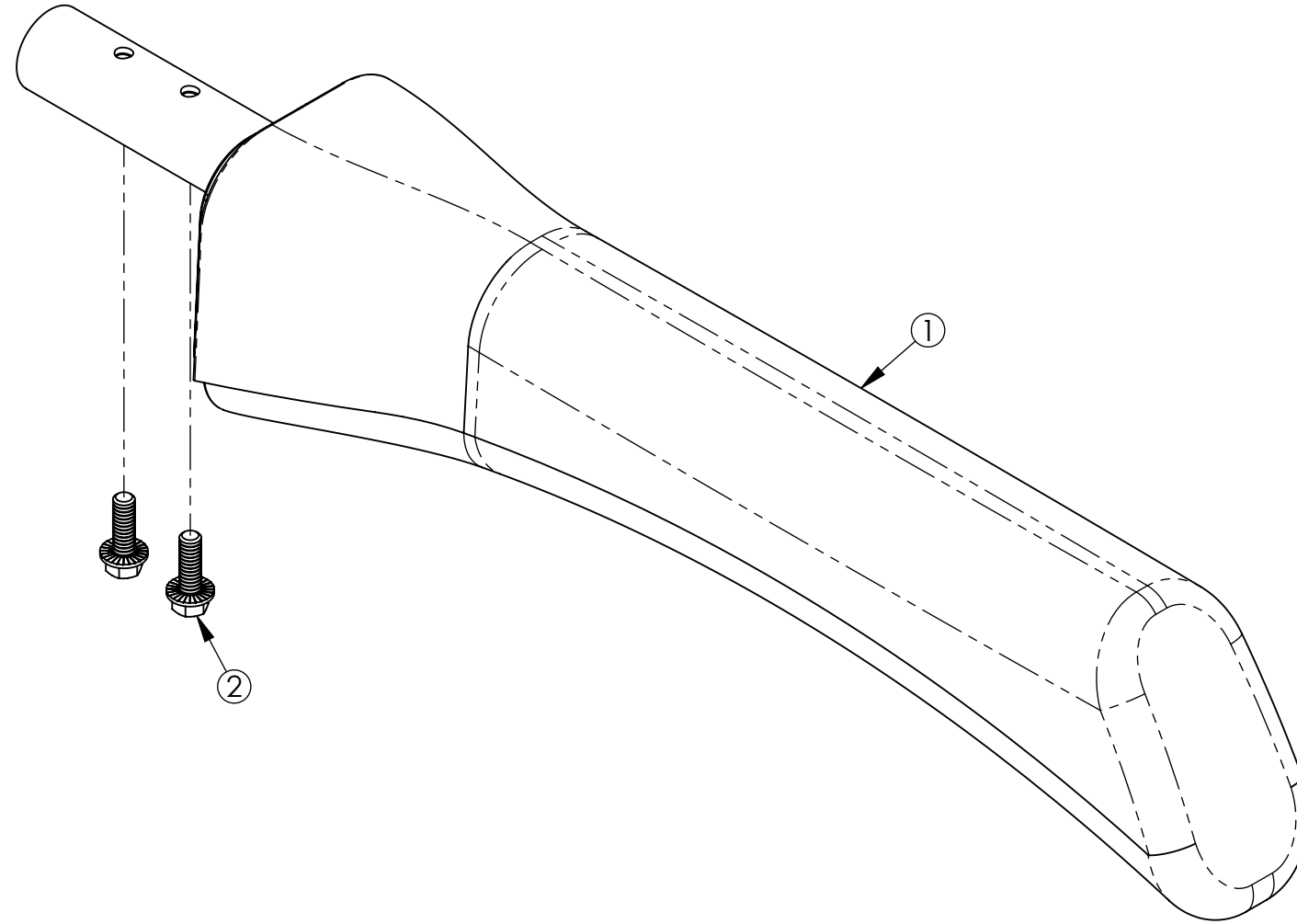


CONFIDENTIAL INFORMATION
 OF TRUE FITNESS TECHNOLOGY, INC. O'FALLON, MO. IT IS LOANED FOR
 CONFIDENTIAL USE. SUBJECT TO RETURN ON REQUEST, AND WITH THE
 MUTUAL UNDERSTANDING THAT IT WILL NOT BE USED IN ANY MANNER
 DETRIMENTAL TO THE INTERESTS OF TRUE FITNESS TECHNOLOGY, INC.

REV.	MCF#	DESCRIPTION	DATE	BY	APPRVL	TITLE	MODEL:	MATERIAL:	DRAWN BY	DATE	APPR. BY	DATE	FINISH	SCALE	REV.
A	-	ORIGINAL RELEASE	-	-	-	Motor Cover Assembly			DM	11/1/16				1:6	
						BREAK ALL SHARP CORNERS & EDGES UNLESS OTHERWISE SPECIFIED DIMENSIONS ARE IN INCHES TOLERANCES UNLESS NOTED: FRACTIONS ±1/32" DECIMALS: .X ±.031" .XX ±.015" .XXX ±.005" ANGULAR ±1° HOLES ±.005" DO NOT SCALE DRAWING									
									FITNESS TECHNOLOGY, INC. O'FALLON, MO. 63366						
									DWG. SIZE		DWG NO.				
									B		7TC0418				



ITEM NO.	True Part No	DK Part No	DESCRIPTION	QTY.
1	7TC0024L	HTD063L	Hand Rail Assembly (L)	1
2	7TCS0027	SK-552	Bolt-Hex Head 1/4-20UNCx20mm	2

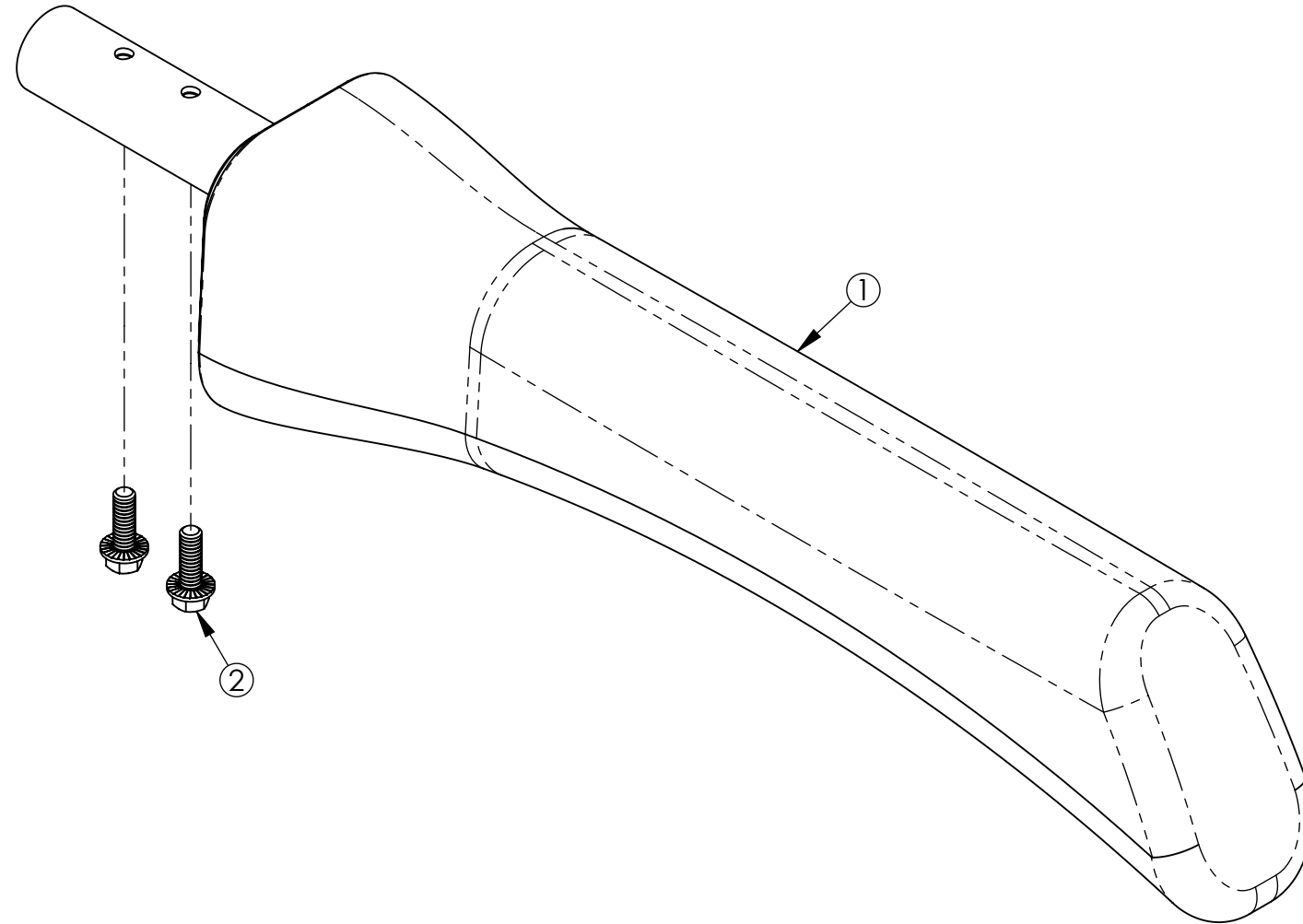


CONFIDENTIAL INFORMATION
 OF TRUE FITNESS TECHNOLOGY, INC. O'FALLON, MO. IT IS LOANED FOR
 CONFIDENTIAL USE. SUBJECT TO RETURN ON REQUEST, AND WITH THE
 MUTUAL UNDERSTANDING THAT IT WILL NOT BE USED IN ANY MANNER
 DETRIMENTAL TO THE INTERESTS OF TRUE FITNESS TECHNOLOGY, INC.

REV.	MCF#	DESCRIPTION	DATE	BY	APPRVL	TITLE	Handrail Assembly-LH				SCALE
A	-	ORIGINAL RELEASE	-	-	-	BREAK ALL SHARP CORNERS & EDGES UNLESS OTHERWISE SPECIFIED DIMENSIONS ARE IN INCHES TOLERANCES UNLESS NOTED: FRACTIONS ±1/32" DECIMALS: .X ±.031" .XX ±.015" .XXX ±.005" ANGULAR ±1° HOLES ±.005" DO NOT SCALE DRAWING	MODEL:				1:2
							MATERIAL:				
						DRAWN BY DM	DATE 11/2/16	APPR. BY	DATE	FINISH	
						FITNESS TECHNOLOGY, INC. O'FALLON, MO. 63366		DWG. SIZE B	DWG NO. 7TC0419L		REV.



ITEM NO.	True Part No	DK Part No	DESCRIPTION	QTY.
1	7TC0024R	HTD063R	Hand Rail Assembly (R)	1
2	7TCS0027	SK-552	Bolt-Hex Head 1/4-20UNCx20mm	2

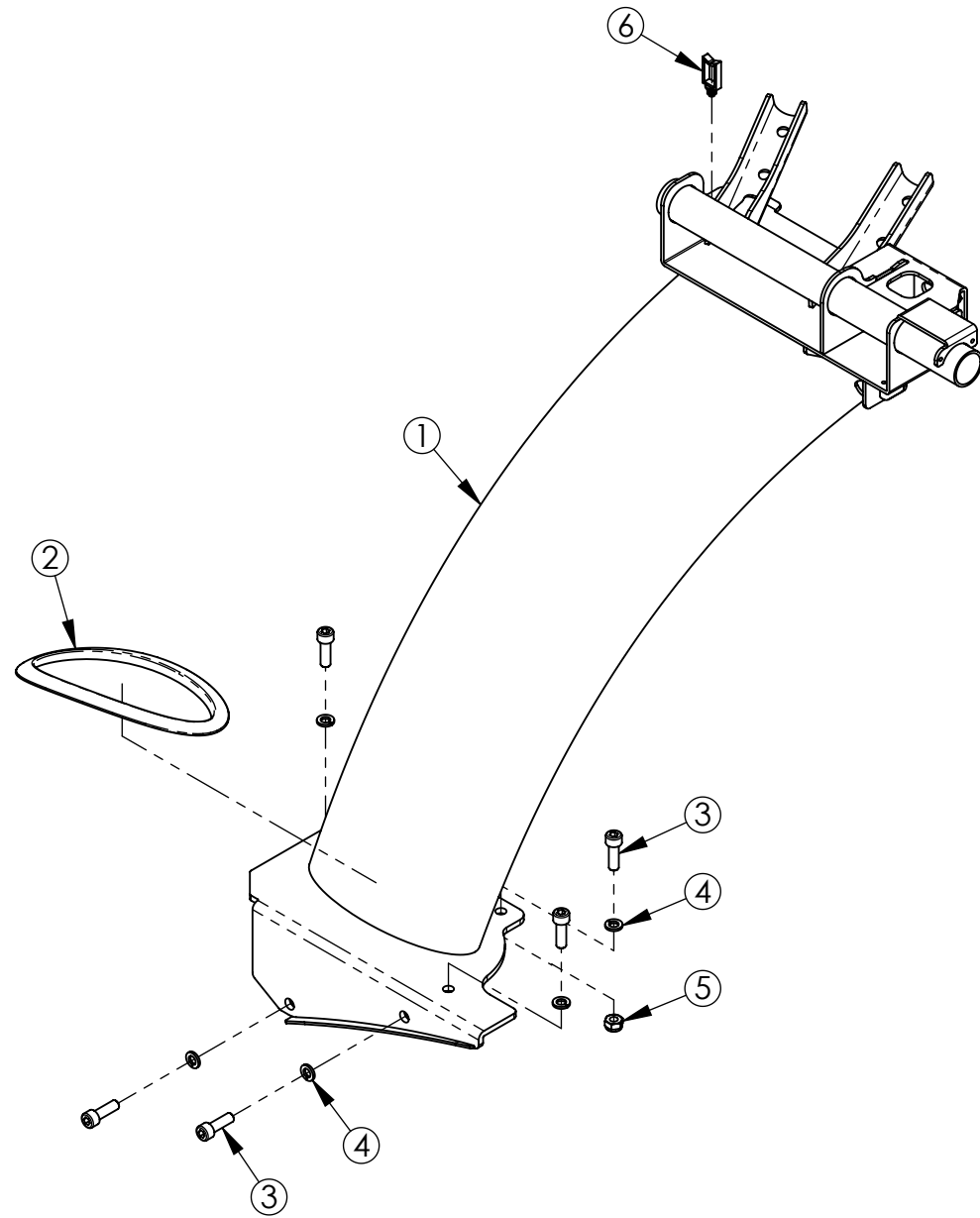


REV.	MCF#	DESCRIPTION	DATE	BY	APPRVL	TITLE	MODEL:	DATE	APPR. BY	DATE	FINISH	SCALE
A	-	ORIGINAL RELEASE	-	-	-	Handrail Assembly-RH BREAK ALL SHARP CORNERS & EDGES UNLESS OTHERWISE SPECIFIED DIMENSIONS ARE IN INCHES TOLERANCES UNLESS NOTED: FRACTIONS ±1/32" DECIMALS: .X ±.031" .XX ±.015" .XXX ±.005" ANGULAR ±1° HOLES ±.005" DO NOT SCALE DRAWING	MATERIAL:	11/1/16				1:2
						FITNESS TECHNOLOGY, INC. O'FALLON, MO. 63366	DWG. SIZE B	DWG NO. 7TC0419R		REV.		

CONFIDENTIAL INFORMATION
 OF TRUE FITNESS TECHNOLOGY, INC. O'FALLON, MO. IT IS LOANED FOR
 CONFIDENTIAL USE. SUBJECT TO RETURN ON REQUEST, AND WITH THE
 MUTUAL UNDERSTANDING THAT IT WILL NOT BE USED IN ANY MANNER
 DETRIMENTAL TO THE INTERESTS OF TRUE FITNESS TECHNOLOGY, INC.



ITEM NO.	True Part No	DK Part No	DESCRIPTION	QTY.
1	-	HTC162	Pedestal Upright Weldment-LH	1
2	7TC0025	P-4571	Pedestal Lower Trim-NBR	1
3	7PS0100	SGA8-25I	Bolt M8xP1.25x25	5
4	7PS0099	SPB8	Spring Washer M8	5
5	7PS0101	SOC8	Nut M8xP1.25	1
6	7TI0109	PEC-BWS-1120	Wire Clip BWS-1120	1

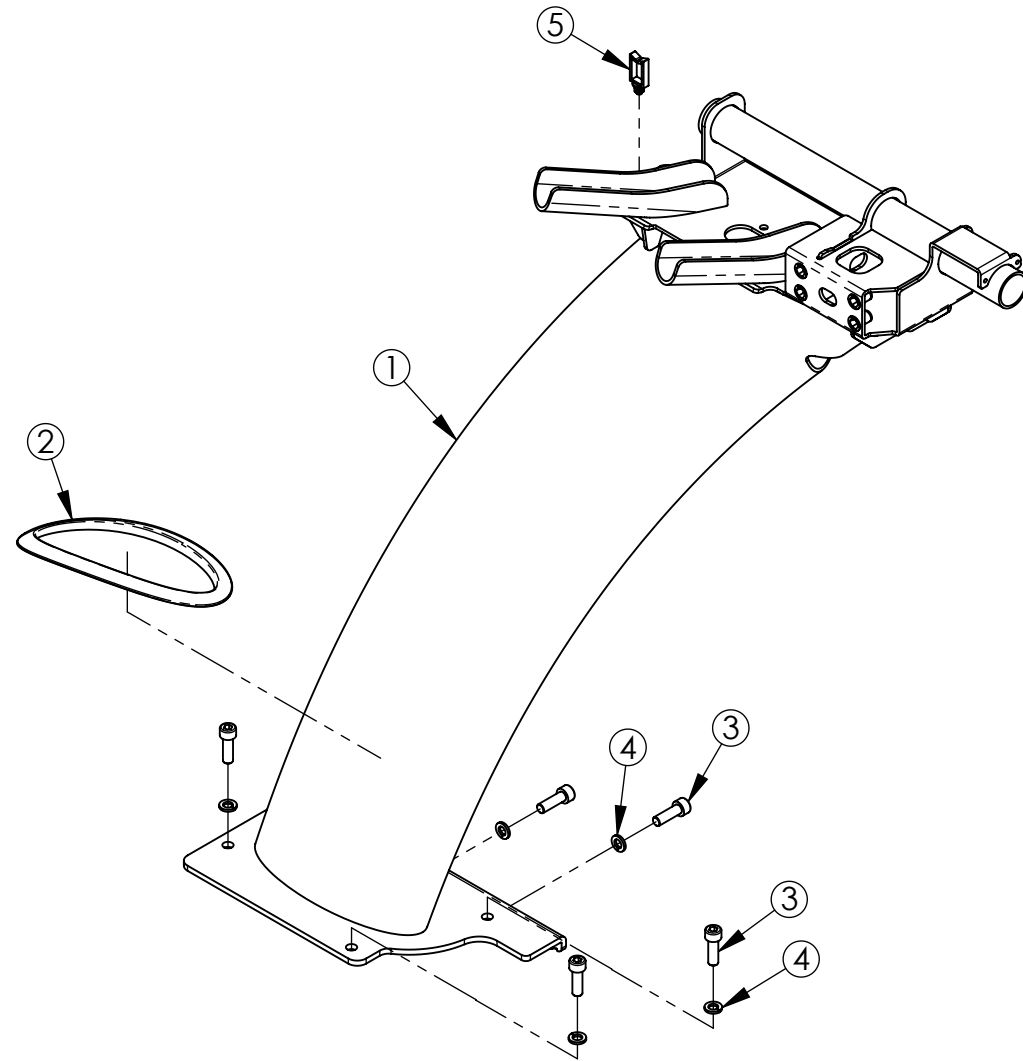


CONFIDENTIAL INFORMATION
 OF TRUE FITNESS TECHNOLOGY, INC. O'FALLON, MO. IT IS LOANED FOR
 CONFIDENTIAL USE. SUBJECT TO RETURN ON REQUEST, AND WITH THE
 MUTUAL UNDERSTANDING THAT IT WILL NOT BE USED IN ANY MANNER
 DETRIMENTAL TO THE INTERESTS OF TRUE FITNESS TECHNOLOGY, INC.

REV.	MCF#	DESCRIPTION	DATE	BY	APPRVL	TITLE	MODEL:	MATERIAL:	DRAWN BY	DATE	APPR. BY	DATE	FINISH	SCALE	REV.
A	-	ORIGINAL RELEASE	-	-	-	Pedestal Upright Assembly-LH BREAK ALL SHARP CORNERS & EDGES UNLESS OTHERWISE SPECIFIED DIMENSIONS ARE IN INCHES TOLERANCES UNLESS NOTED: FRACTIONS $\pm 1/32"$ DECIMALS: .X $\pm 0.031"$.XX $\pm 0.015"$.XXX $\pm 0.005"$ ANGULAR $\pm 1^\circ$ HOLES $\pm 0.005"$ DO NOT SCALE DRAWING			DM	11/2/16				1:6	
									 O'FALLON, MO. 63366						
									DWG. SIZE	DWG NO.					
									B	7TC0420L					



ITEM NO.	True Part No	DK Part No	DESCRIPTION	QTY.
1	-	HTC163	Pedestal Upright Weldment-RH	1
2	7TC0025	P-4571	Pedestal Lower Trim-NBR	1
3	7PS0100	SGA8-25I	Bolt M8xP1.25x25	5
4	7PS0099	SPB8	Spring Washer M8	5
5	7TI0109	PEC-BWS-1120	Wire Clip BWS-1120	1



REV.	MCF#	DESCRIPTION	DATE	BY	APPRVL	TITLE	MODEL:	DATE	APPR. BY	DATE	FINISH	SCALE
A	-	ORIGINAL RELEASE	-	-	-	Pedestal Upright Assembly-RH BREAK ALL SHARP CORNERS & EDGES UNLESS OTHERWISE SPECIFIED DIMENSIONS ARE IN INCHES TOLERANCES UNLESS NOTED: FRACTIONS ±1/32" DECIMALS: .X ±.031" .XX ±.015" .XXX ±.005" ANGULAR ±1° HOLES ±.005" DO NOT SCALE DRAWING	MATERIAL:					1:6
							DRAWN BY: DM DATE: 11/2/16 DWG. NO.: 7TC0420R DWG. SIZE: B					

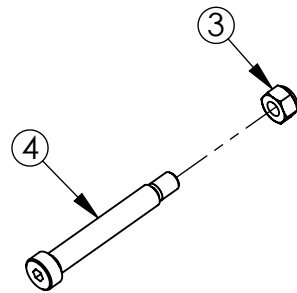
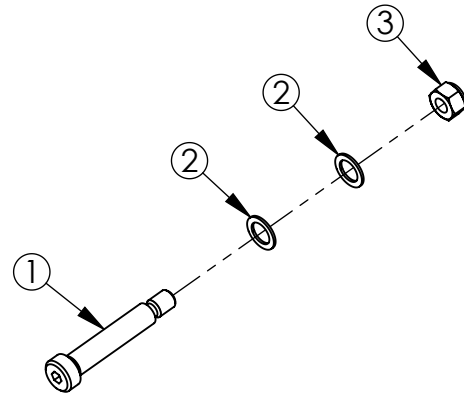
CONFIDENTIAL INFORMATION
 OF TRUE FITNESS TECHNOLOGY, INC. O'FALLON, MO. IT IS LOANED FOR
 CONFIDENTIAL USE. SUBJECT TO RETURN ON REQUEST, AND WITH THE
 MUTUAL UNDERSTANDING THAT IT WILL NOT BE USED IN ANY MANNER
 DETRIMENTAL TO THE INTERESTS OF TRUE FITNESS TECHNOLOGY, INC.




DWG. NO. 7TC0420R
 DWG. SIZE B



ITEM NO.	True Part No	DK Part No	DESCRIPTION	QTY.
1	7TI0090	SK-525	Bolt (Tooth 1/4")	1
2	7TI0092	SPA100-150-10	Washer 10x15x1.0t	2
3	7TI0093	SOC5-16	Nut 5/16"-18UNC	2
4	7TC0028	SK-525S	Bolt (Tooth 13/32")	1

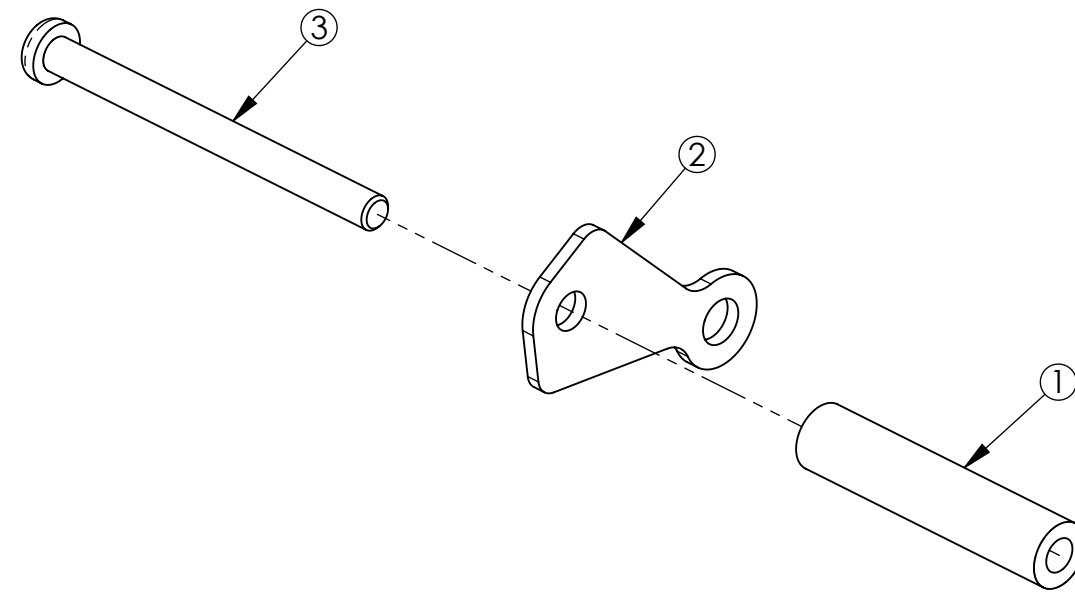


CONFIDENTIAL INFORMATION
 OF TRUE FITNESS TECHNOLOGY, INC. O'FALLON, MO. IT IS LOANED FOR
 CONFIDENTIAL USE. SUBJECT TO RETURN ON REQUEST, AND WITH THE
 MUTUAL UNDERSTANDING THAT IT WILL NOT BE USED IN ANY MANNER
 DETRIMENTAL TO THE INTERESTS OF TRUE FITNESS TECHNOLOGY, INC.

REV.	MCF#	DESCRIPTION	DATE	BY	APPRVL	TITLE	MODEL:				SCALE
A	-	ORIGINAL RELEASE	-	-	-	Incline Motor Mounting Hardware BREAK ALL SHARP CORNERS & EDGES UNLESS OTHERWISE SPECIFIED DIMENSIONS ARE IN INCHES TOLERANCES UNLESS NOTED: FRACTIONS ±1/32" DECIMALS: .X ±.031" .XX ±.015" .XXX ±.005" ANGULAR ±1° HOLES ±.005" DO NOT SCALE DRAWING	MATERIAL:				1:3
							DRAWN BY: DM DATE: 11/2/16 APPR. BY: DATE: FINISH:  DWG. NO.: 7TC0422 O'FALLON, MO. 63366	DWG. SIZE: B		REV.	



ITEM NO.	True Part No	DK Part No	DESCRIPTION	QTY.
1	7TI0116	P-2602	Bushing-110V	1
2	7TI0117	NO-4498	Retainer-Power Cord	1
3	7TI0118	SAA5-60	Bolt M5xP0.8x60	1

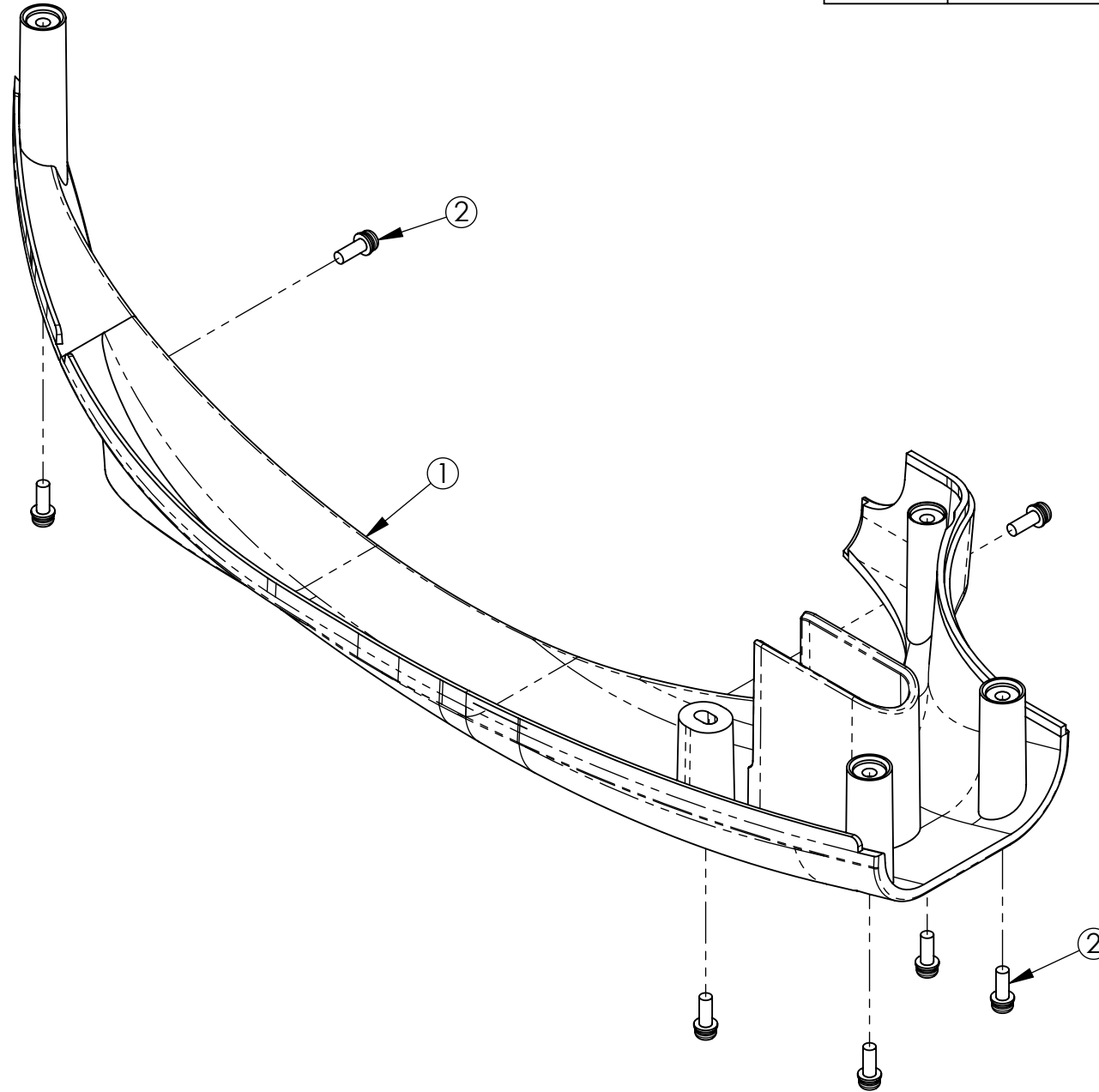


REV.	MCF#	DESCRIPTION	DATE	BY	APPRVL	TITLE	Power Cord Retainer Assembly-110V				SCALE
A	-	ORIGINAL RELEASE	-	-	-	BREAK ALL SHARP CORNERS & EDGES UNLESS OTHERWISE SPECIFIED DIMENSIONS ARE IN INCHES TOLERANCES UNLESS NOTED: FRACTIONS ±1/32" DECIMALS: .X ±.031" .XX ±.015" .XXX ±.005" ANGULAR ±1° HOLES ±.005" DO NOT SCALE DRAWING	MODEL:				1:1
							MATERIAL:				
						DRAWN BY DM	DATE 11/2/16	APPR. BY	DATE	FINISH	
								DWG. SIZE B	DWG NO. 7TC0426		REV.

CONFIDENTIAL INFORMATION OF TRUE FITNESS TECHNOLOGY, INC. O'FALLON, MO. IT IS LOANED FOR CONFIDENTIAL USE. SUBJECT TO RETURN ON REQUEST, AND WITH THE MUTUAL UNDERSTANDING THAT IT WILL NOT BE USED IN ANY MANNER DETRIMENTAL TO THE INTERESTS OF TRUE FITNESS TECHNOLOGY, INC.



ITEM NO.	True Part No	DK Part No	DESCRIPTION	QTY.
1	7TC0035L	P-4578L	Shoulder Left Side Trim	1
2	7TCS0024	SK-576	SEMS Bolt M4xP0.7x12 Nylok	7

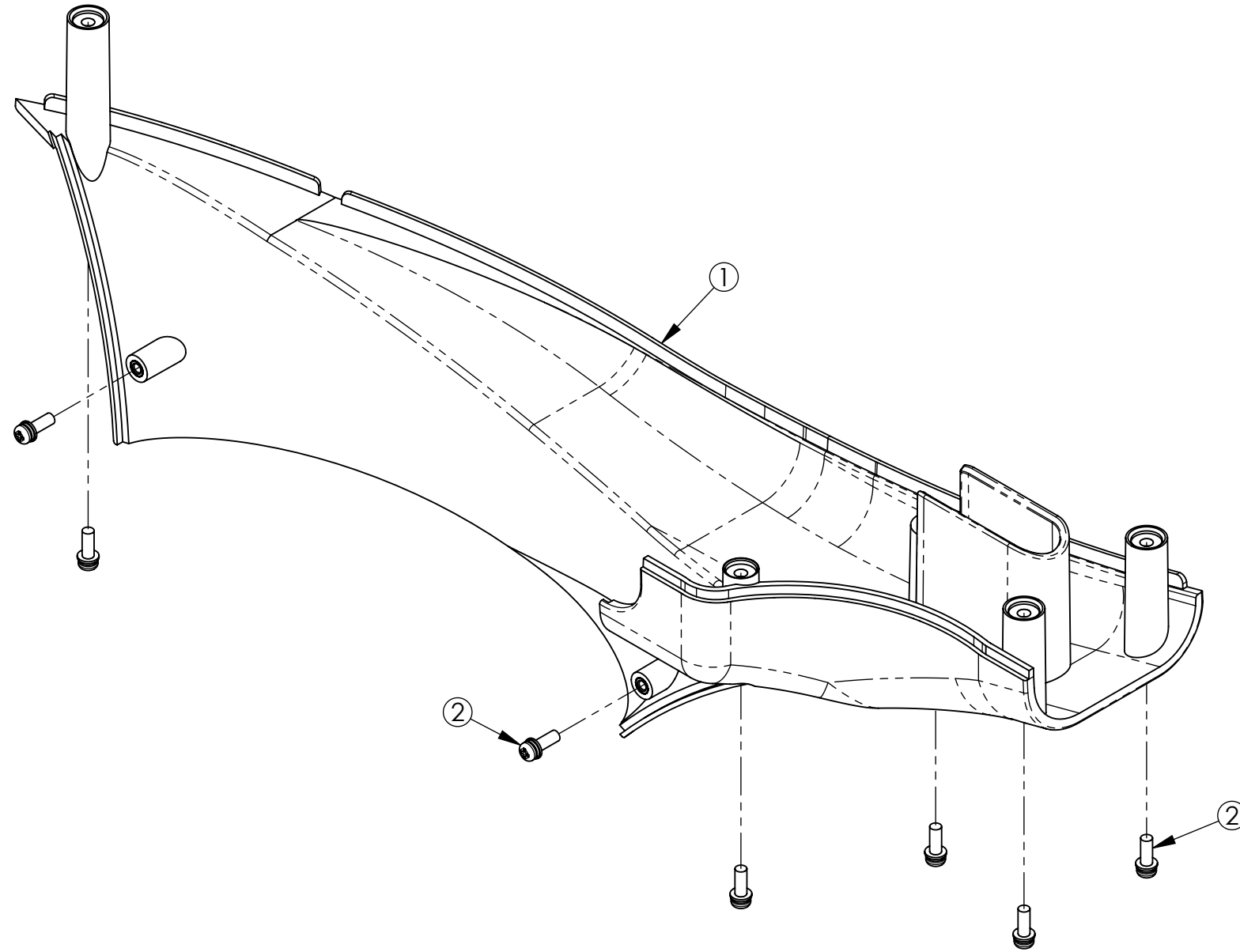


CONFIDENTIAL INFORMATION
 OF TRUE FITNESS TECHNOLOGY, INC. O'FALLON, MO. IT IS LOANED FOR
 CONFIDENTIAL USE. SUBJECT TO RETURN ON REQUEST, AND WITH THE
 MUTUAL UNDERSTANDING THAT IT WILL NOT BE USED IN ANY MANNER
 DETRIMENTAL TO THE INTERESTS OF TRUE FITNESS TECHNOLOGY, INC.

REV.	MCF#	DESCRIPTION	DATE	BY	APPRVL	TITLE	MODEL:	DATE	APPR. BY	DATE	FINISH	SCALE
A	-	ORIGINAL RELEASE	-	-	-	Shoulder Left Side Trim Assembly BREAK ALL SHARP CORNERS & EDGES UNLESS OTHERWISE SPECIFIED DIMENSIONS ARE IN INCHES TOLERANCES UNLESS NOTED: FRACTIONS ±1/32" DECIMALS: .X ±.031" .XX ±.015" .XXX ±.005" ANGULAR ±1° HOLES ±.005" DO NOT SCALE DRAWING						1:2
								B			7TC0429L	



ITEM NO.	True Part No	DK Part No	DESCRIPTION	QTY.
1	7TC0035R	P-4578R	Shoulder Right Side Trim	1
2	7TCS0024	SK-576	SEMS Bolt M4xP0.7x12 Nylok	7

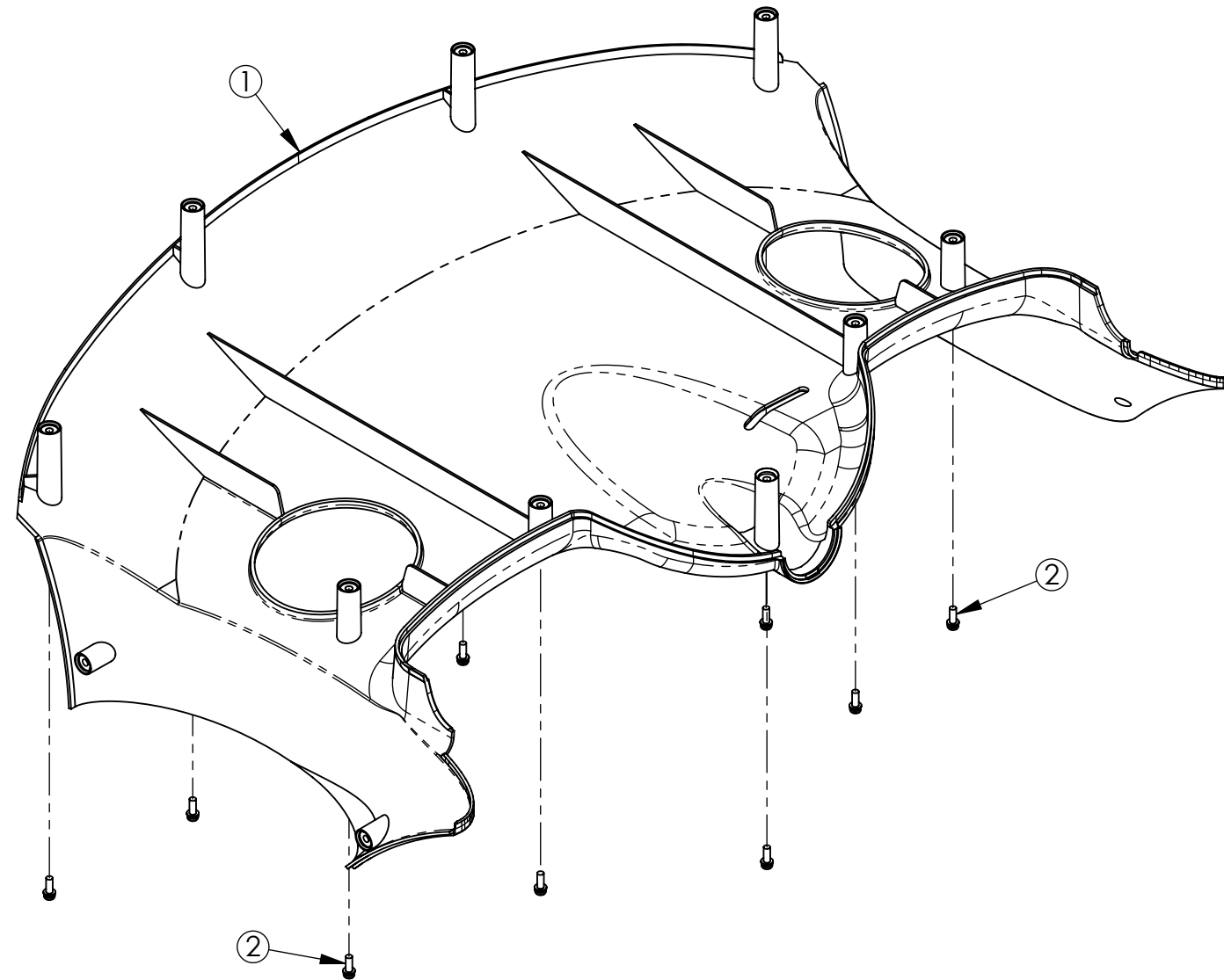


REV.	MCF#	DESCRIPTION	DATE	BY	APPRVL	TITLE	MODEL:	DATE	APPR. BY	DATE	FINISH	SCALE	REV.
A	-	ORIGINAL RELEASE	-	-	-	Shoulder Right Side Trim Assembly BREAK ALL SHARP CORNERS & EDGES UNLESS OTHERWISE SPECIFIED DIMENSIONS ARE IN INCHES TOLERANCES UNLESS NOTED: FRACTIONS ±1/32" DECIMALS: .X ±.031" .XX ±.015" .XXX ±.005" ANGULAR ±1° HOLES ±.005" DO NOT SCALE DRAWING						1:2	
							TRUE FITNESS TECHNOLOGY, INC. O'FALLON, MO. 63366	DWG. SIZE B		DWG NO. 7TC0429R			

CONFIDENTIAL INFORMATION OF TRUE FITNESS TECHNOLOGY, INC. O'FALLON, MO. IT IS LOANED FOR CONFIDENTIAL USE. SUBJECT TO RETURN ON REQUEST, AND WITH THE MUTUAL UNDERSTANDING THAT IT WILL NOT BE USED IN ANY MANNER DETRIMENTAL TO THE INTERESTS OF TRUE FITNESS TECHNOLOGY, INC.



ITEM NO.	True Part No	DK Part No	DESCRIPTION	QTY.
1	7TC0036	P-4577	Shoulder Plastic Bottom	1
2	7TCS0024	SK-576	SEMS Bolt M4xP0.7x12 Nylok	9

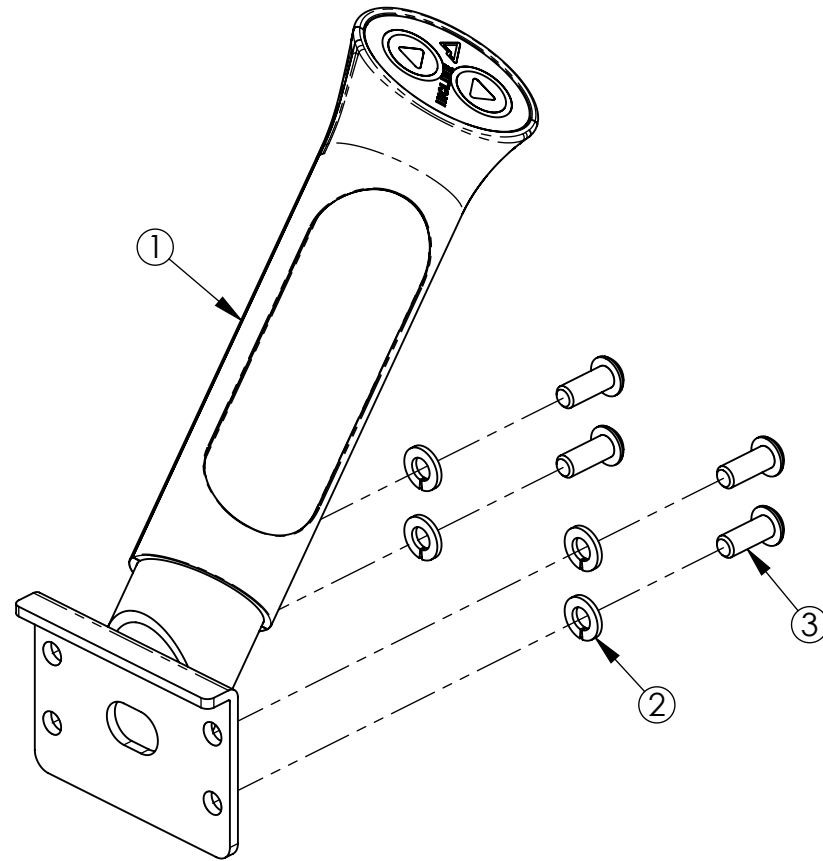


CONFIDENTIAL INFORMATION
 OF TRUE FITNESS TECHNOLOGY, INC. O'FALLON, MO. IT IS LOANED FOR
 CONFIDENTIAL USE. SUBJECT TO RETURN ON REQUEST, AND WITH THE
 MUTUAL UNDERSTANDING THAT IT WILL NOT BE USED IN ANY MANNER
 DETRIMENTAL TO THE INTERESTS OF TRUE FITNESS TECHNOLOGY, INC.

REV.	MCF#	DESCRIPTION	DATE	BY	APPRVL	TITLE	MODEL:	DATE	APPR. BY	DATE	FINISH	SCALE	REV.
A	-	ORIGINAL RELEASE	-	-	-	Shoulder Plastic Bottom Assembly	MATERIAL:	DRAWN BY DM	DATE 11/3/16	APPR. BY	DATE	FINISH	SCALE 1:4
						BREAK ALL SHARP CORNERS & EDGES							
						UNLESS OTHERWISE SPECIFIED DIMENSIONS ARE IN INCHES							
						TOLERANCES UNLESS NOTED:							
						FRACTIONS ±1/32"							
						DECIMALS:							
						.X ±.031"							
						.XX ±.015"							
						.XXX ±.005"							
						ANGULAR ±1°							
						HOLES ±.005"							
						DO NOT SCALE DRAWING							
						TRUE FITNESS TECHNOLOGY, INC. O'FALLON, MO. 63366	DWG. SIZE B	DWG NO. 7TC0430					



ITEM NO.	True Part No	DK Part No	DESCRIPTION	QTY.
1	7TC0439L	HTD062L	CHR Grip Assembly-LH	1
2	7TC0037	SPB1-4	Spring Washer 1/4"	4
3	7TC0038	SDA1-4-16IL-N	Bolt 1/4"-20UNCx16mm	4

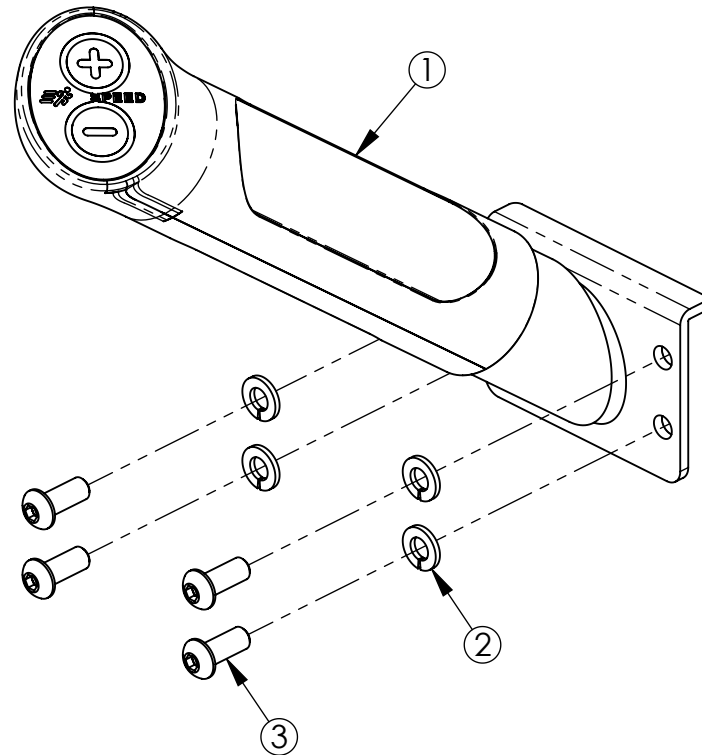


REV.	MCF#	DESCRIPTION	DATE	BY	APPRVL	TITLE	MODEL:				SCALE
A	-	ORIGINAL RELEASE	-	-	-	CHR Grip Assembly-LH BREAK ALL SHARP CORNERS & EDGES UNLESS OTHERWISE SPECIFIED DIMENSIONS ARE IN INCHES TOLERANCES UNLESS NOTED: FRACTIONS ±1/32" DECIMALS: .X ±.031" .XX ±.015" .XXX ±.005" ANGULAR ±1° HOLES ±.005" DO NOT SCALE DRAWING	MATERIAL:				1:2
							DRAWN BY: DM DATE: 11/4/16 APPR. BY: DATE: FINISH: 	DWG. SIZE: B	DWG NO. 7TC0431L	REV.	

CONFIDENTIAL INFORMATION
 OF TRUE FITNESS TECHNOLOGY, INC. O'FALLON, MO. IT IS LOANED FOR
 CONFIDENTIAL USE. SUBJECT TO RETURN ON REQUEST, AND WITH THE
 MUTUAL UNDERSTANDING THAT IT WILL NOT BE USED IN ANY MANNER
 DETRIMENTAL TO THE INTERESTS OF TRUE FITNESS TECHNOLOGY, INC.



ITEM NO.	True Part No	DK Part No	DESCRIPTION	QTY.
1	7TC0439R	HTD062R	CHR Grip Assembly-RH	1
2	7TC0037	SPB1-4	Spring Washer 1/4"	4
3	7TC0038	SDA1-4-16IL-N	Bolt 1/4"-20UNCx16mm	4

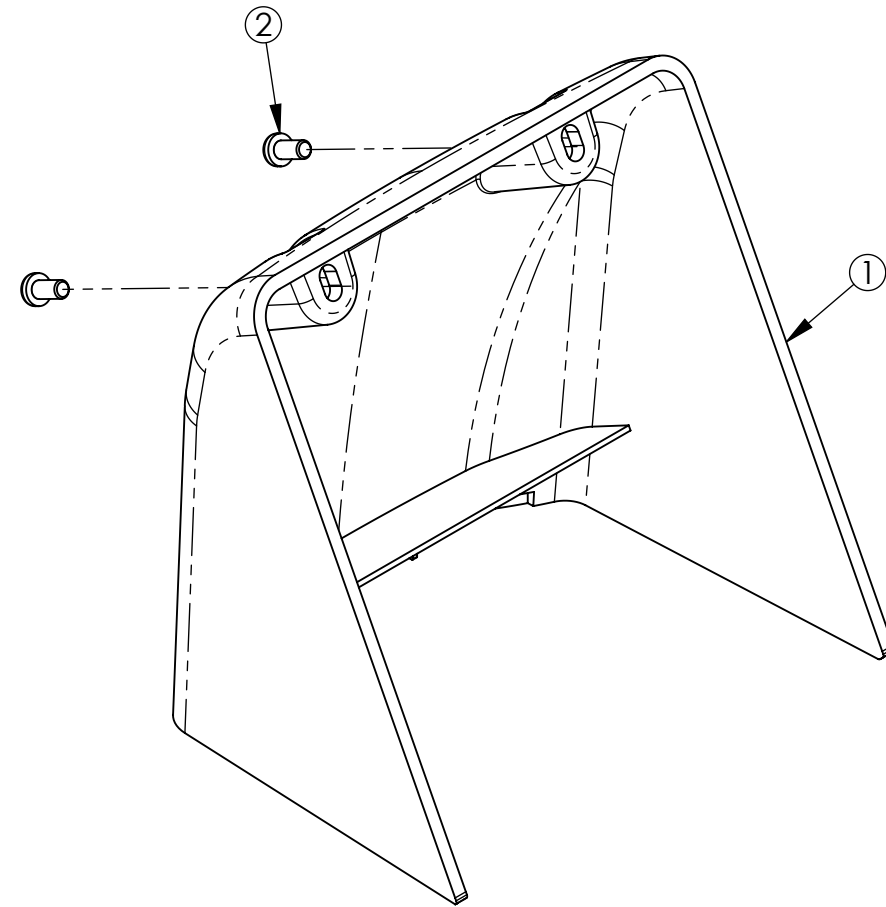


CONFIDENTIAL INFORMATION
 OF TRUE FITNESS TECHNOLOGY, INC. O'FALLON, MO. IT IS LOANED FOR
 CONFIDENTIAL USE. SUBJECT TO RETURN ON REQUEST, AND WITH THE
 MUTUAL UNDERSTANDING THAT IT WILL NOT BE USED IN ANY MANNER
 DETRIMENTAL TO THE INTERESTS OF TRUE FITNESS TECHNOLOGY, INC.

REV.	MCF#	DESCRIPTION	DATE	BY	APPRVL	TITLE	MODEL:	DATE	APPR. BY	DATE	FINISH	SCALE	REV.
						CHR Grip Assembly-RH							
						BREAK ALL SHARP CORNERS & EDGES							
						UNLESS OTHERWISE SPECIFIED DIMENSIONS ARE IN INCHES							
						TOLERANCES UNLESS NOTED: FRACTIONS ±1/32" DECIMALS: .X ±.031" .XX ±.015" .XXX ±.005" ANGULAR ±1° HOLES ±.005"							
						DO NOT SCALE DRAWING							
A	-	ORIGINAL RELEASE	-	-	-							1:2	
							FITNESS TECHNOLOGY, INC. O'FALLON, MO. 63366						
							DWG. SIZE B						
							DWG NO. 7TC0431R						



ITEM NO.	True Part No	DK Part No	DESCRIPTION	QTY.
1	7TC0039	P-4579	Console Rear Cover	1
2	7TI0011	SAA5-10	Bolt M5xP0.8x10	2

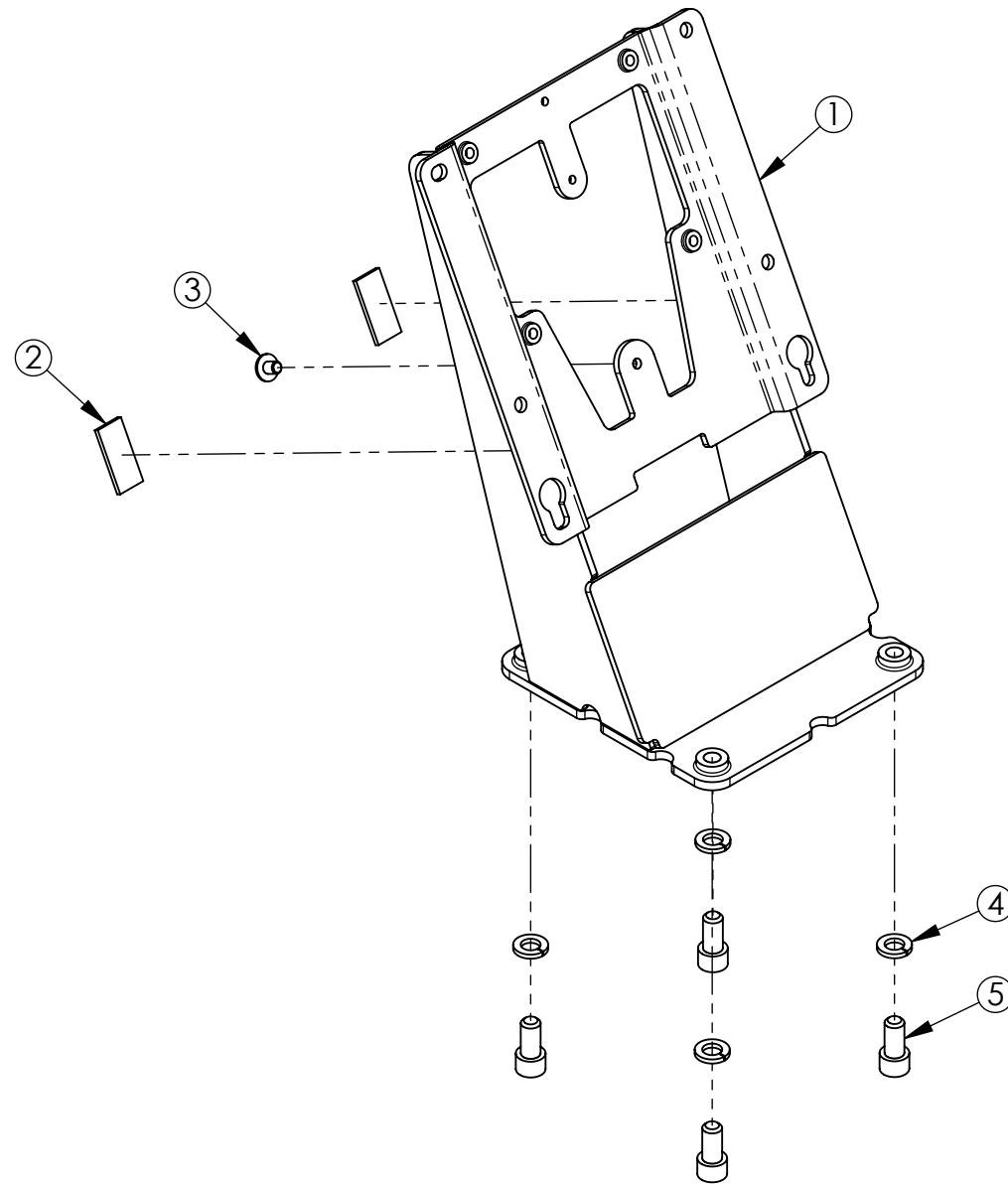


CONFIDENTIAL INFORMATION
 OF TRUE FITNESS TECHNOLOGY, INC. O'FALLON, MO. IT IS LOANED FOR
 CONFIDENTIAL USE. SUBJECT TO RETURN ON REQUEST, AND WITH THE
 MUTUAL UNDERSTANDING THAT IT WILL NOT BE USED IN ANY MANNER
 DETRIMENTAL TO THE INTERESTS OF TRUE FITNESS TECHNOLOGY, INC.

REV.	MCF#	DESCRIPTION	DATE	BY	APPRVL	TITLE	MODEL:	MATERIAL:	DRAWN BY	DATE	APPR. BY	DATE	FINISH	SCALE	REV.
						Console Rear Cover Assembly			DM	11/4/16				1:2	
A	-	ORIGINAL RELEASE	-	-	-	BREAK ALL SHARP CORNERS & EDGES UNLESS OTHERWISE SPECIFIED DIMENSIONS ARE IN INCHES TOLERANCES UNLESS NOTED: FRACTIONS ±1/32" DECIMALS: .X ±.031" .XX ±.015" .XXX ±.005" ANGULAR ±1° HOLES ±.005" DO NOT SCALE DRAWING									
												DWG. SIZE	DWG NO.		
												B	7TC0432		



ITEM NO.	True Part No	DK Part No	DESCRIPTION	QTY.
1	-	JTFA050A	Console Rack	1
2	-	BAA0280-130-20	Foam Tape 28mmx13mmx2.0t	2
3	7TC0041	SCA5-5ZN	Screw	1
4	7PS0099	SPB8	Spring Washer M8	4
5	7TC0040	SGA5-16-16IL-N	Bolt 5/16"-24 UNF x 16mm Blue Nylok	4

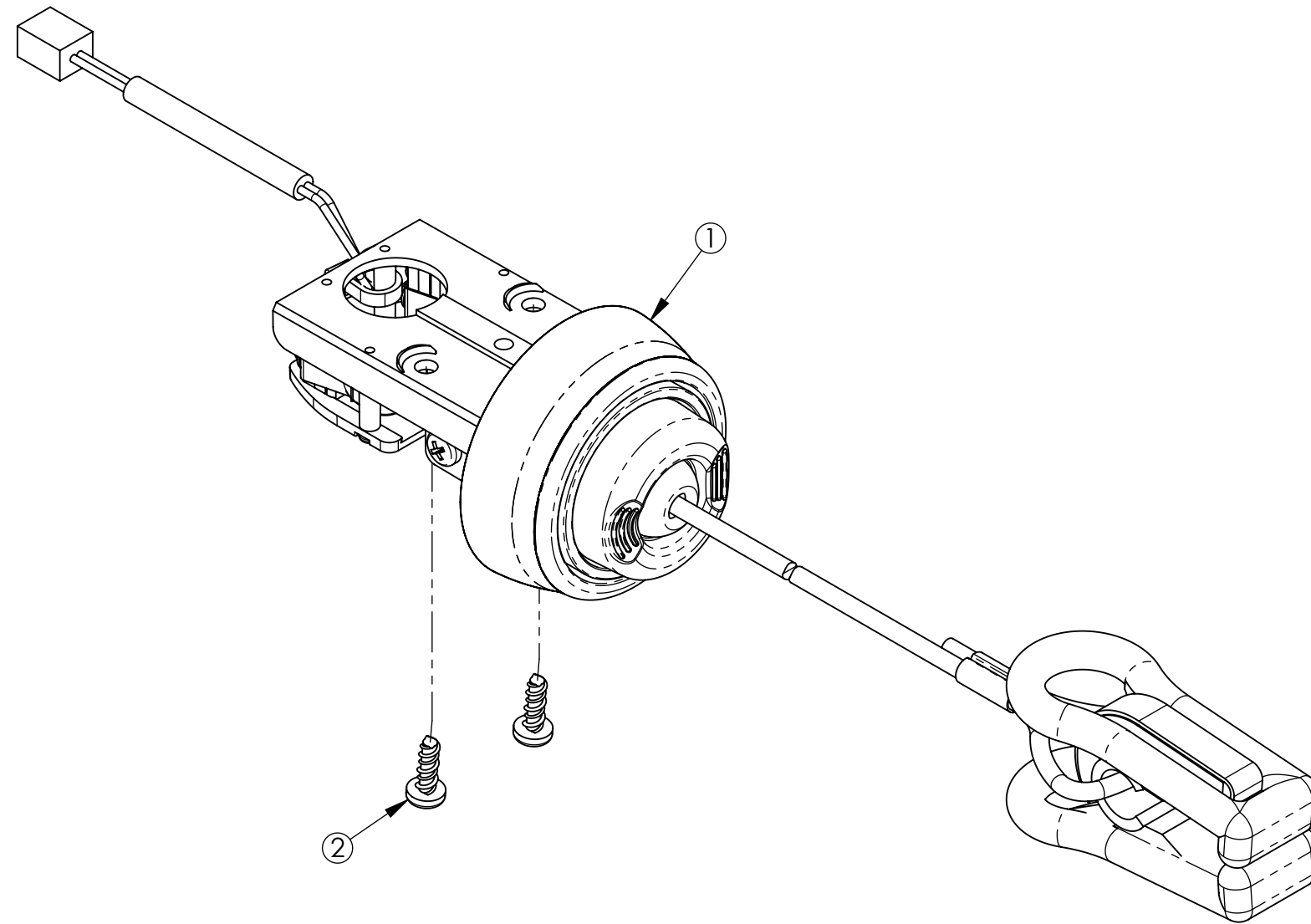


REV.	MCF#	DESCRIPTION	DATE	BY	APPRVL	TITLE	MODEL:	DATE	APPR. BY	DATE	FINISH	SCALE	REV.
A	-	ORIGINAL RELEASE	-	-	-	Console Mast Assembly						1:3	
						BREAK ALL SHARP CORNERS & EDGES UNLESS OTHERWISE SPECIFIED DIMENSIONS ARE IN INCHES TOLERANCES UNLESS NOTED: FRACTIONS ±1/32" DECIMALS: .X ±.031" .XX ±.015" .XXX ±.005" ANGULAR ±1° HOLES ±.005" DO NOT SCALE DRAWING							
							TRUE FITNESS TECHNOLOGY, INC. O'FALLON, MO. 63366						
							DWG. SIZE B						DWG NO. 7TC0433

CONFIDENTIAL INFORMATION OF TRUE FITNESS TECHNOLOGY, INC. O'FALLON, MO. IT IS LOANED FOR CONFIDENTIAL USE. SUBJECT TO RETURN ON REQUEST, AND WITH THE MUTUAL UNDERSTANDING THAT IT WILL NOT BE USED IN ANY MANNER DETRIMENTAL TO THE INTERESTS OF TRUE FITNESS TECHNOLOGY, INC.



ITEM NO.	True Part No	DK Part No	DESCRIPTION	QTY.
1	-	-	Safety Key Assembly, Non-Removable	1
2	7TI0016	SK-554	High Low Thread Bolt #6x10mm	2

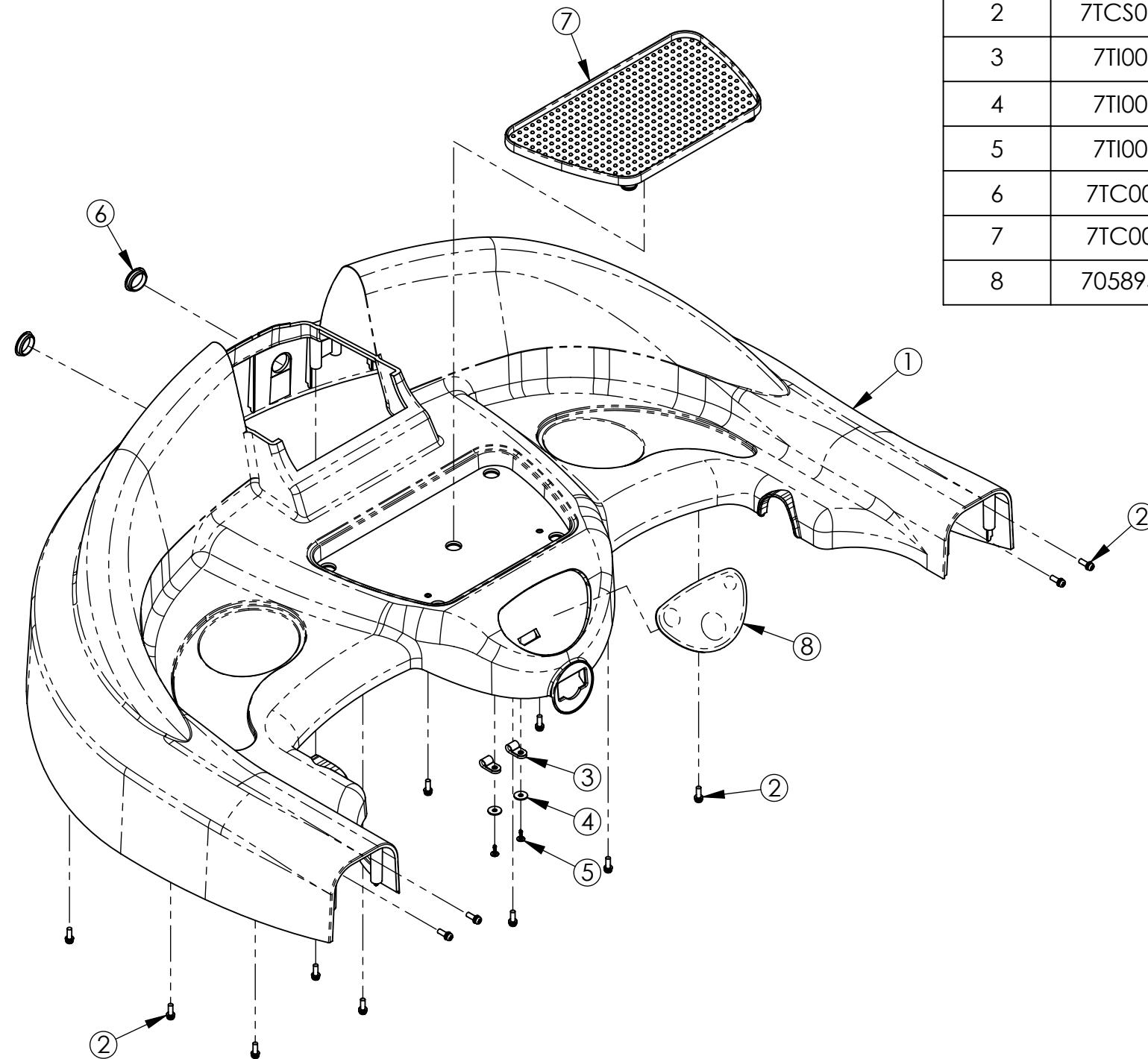


CONFIDENTIAL INFORMATION
 OF TRUE FITNESS TECHNOLOGY, INC. O'FALLON, MO. IT IS LOANED FOR
 CONFIDENTIAL USE. SUBJECT TO RETURN ON REQUEST, AND WITH THE
 MUTUAL UNDERSTANDING THAT IT WILL NOT BE USED IN ANY MANNER
 DETRIMENTAL TO THE INTERESTS OF TRUE FITNESS TECHNOLOGY, INC.

REV.	MCF#	DESCRIPTION	DATE	BY	APPRVL	TITLE	MODEL:	MATERIAL:	DRAWN BY	DATE	APPR. BY	DATE	FINISH	SCALE
A	-	ORIGINAL RELEASE	-	-	-	Safety Key Assembly BREAK ALL SHARP CORNERS & EDGES UNLESS OTHERWISE SPECIFIED DIMENSIONS ARE IN INCHES TOLERANCES UNLESS NOTED: FRACTIONS ±1/32" DECIMALS: .X ±.031" .XX ±.015" .XXX ±.005" ANGULAR ±1° HOLES ±.005" DO NOT SCALE DRAWING			DM	11/4/16				1:1
							DWG. SIZE	DWG NO.						
							B	7TC0087						



ITEM NO.	True Part No	DK Part No	DESCRIPTION	QTY.
1	7TC0043	P-4572	Shoulder Plastic Top	1
2	7TCS0024	SK-576	SEMS Bolt M4xP0.7x12 Nylok	14
3	7TI0020	PEC-UC-0.5	Cable Fixity	2
4	7TI0021	SPA040-120-10	Washer 4x12x1.0t	2
5	7TI0022	SCI3-10	Bolt 3x10	2
6	7TC0023	P-4580	Bolt Cover	2
7	7TC0009	P-4573	Tray Insert Pad	1
8	70589500	RD-03-0009	Membrane Overlay	1

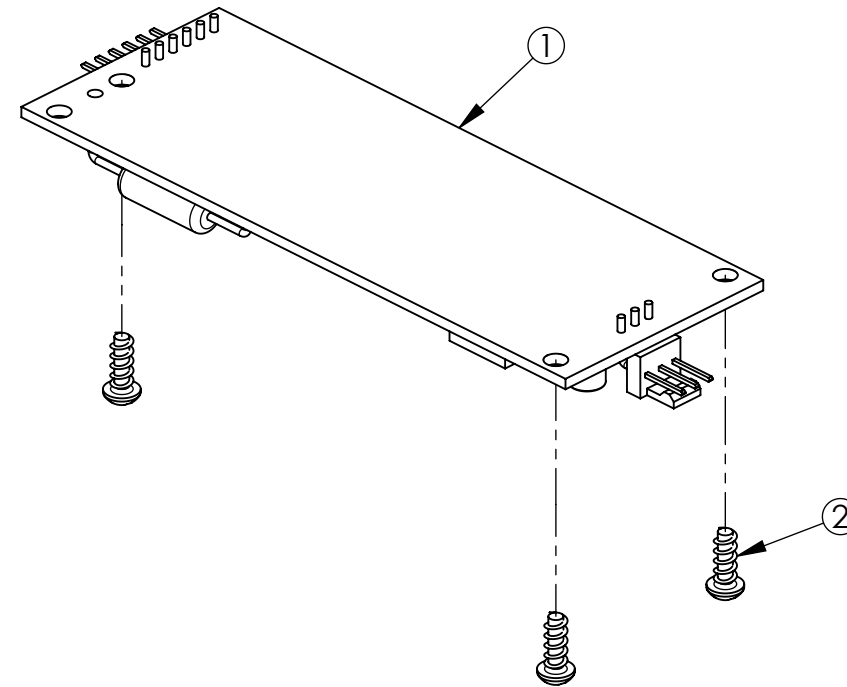


REV.	MCF#	DESCRIPTION	DATE	BY	APPRVL	TITLE	MODEL:	MATERIAL:	DRAWN BY	DATE	APPR. BY	DATE	FINISH	SCALE	REV.
A	-	ORIGINAL RELEASE	-	-	-	Top Pedestal Plastic Assembly			DM	11/4/16				1:5	
						BREAK ALL SHARP CORNERS & EDGES UNLESS OTHERWISE SPECIFIED DIMENSIONS ARE IN INCHES TOLERANCES UNLESS NOTED: FRACTIONS ±1/32" DECIMALS: .X ±.031" .XX ±.015" .XXX ±.005" ANGULAR ±1° HOLES ±.005" DO NOT SCALE DRAWING									
									FITNESS TECHNOLOGY, INC. O'FALLON, MO. 63366						
									DWG. SIZE		DWG NO.				
									B		7TC0435				

CONFIDENTIAL INFORMATION
 OF TRUE FITNESS TECHNOLOGY, INC. O'FALLON, MO. IT IS LOANED FOR
 CONFIDENTIAL USE. SUBJECT TO RETURN ON REQUEST, AND WITH THE
 MUTUAL UNDERSTANDING THAT IT WILL NOT BE USED IN ANY MANNER
 DETRIMENTAL TO THE INTERESTS OF TRUE FITNESS TECHNOLOGY, INC.



ITEM NO.	True Part No	DK Part No	DESCRIPTION	QTY.
1	70611900	XEK-337	Salutron CHR Board	1
2	7PS0120	SAK3-8	Bolt #3x8mm	3

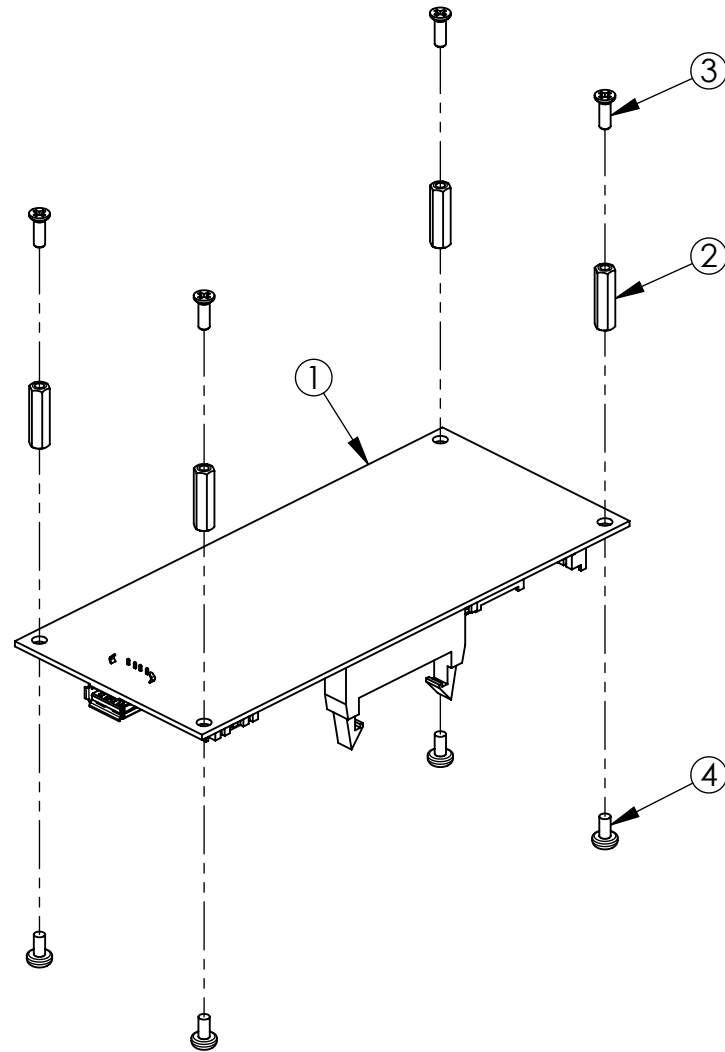


REV.	MCF#	DESCRIPTION	DATE	BY	APPRVL	TITLE					SCALE	
A	-	ORIGINAL RELEASE	-	-	-	Salutron Board Assembly BREAK ALL SHARP CORNERS & EDGES UNLESS OTHERWISE SPECIFIED DIMENSIONS ARE IN INCHES TOLERANCES UNLESS NOTED: FRACTIONS ±1/32" DECIMALS: .X ±.031" .XX ±.015" .XXX ±.005" ANGULAR ±1° HOLES ±.005" DO NOT SCALE DRAWING	MODEL:				1:1	
							MATERIAL:					
						DRAWN BY	DATE	APPR. BY	DATE	FINISH		
						DM	11/7/16					
								DWG. SIZE	DWG NO.			
						B		7TC0436				

CONFIDENTIAL INFORMATION
 OF TRUE FITNESS TECHNOLOGY, INC. O'FALLON, MO. IT IS LOANED FOR
 CONFIDENTIAL USE. SUBJECT TO RETURN ON REQUEST, AND WITH THE
 MUTUAL UNDERSTANDING THAT IT WILL NOT BE USED IN ANY MANNER
 DETRIMENTAL TO THE INTERESTS OF TRUE FITNESS TECHNOLOGY, INC.



ITEM NO.	True Part No	DK Part No	DESCRIPTION	QTY.
1	00612700	XEK-336	Nucleus Board	1
2	7TI0008	SZ-019	Hexagon Brass Insert	4
3	7TI0009	SHA3-10	Bolt M3xP0.5x10	4
4	7TI0010	SAA3-6	Bolt M3x0.5x6	4

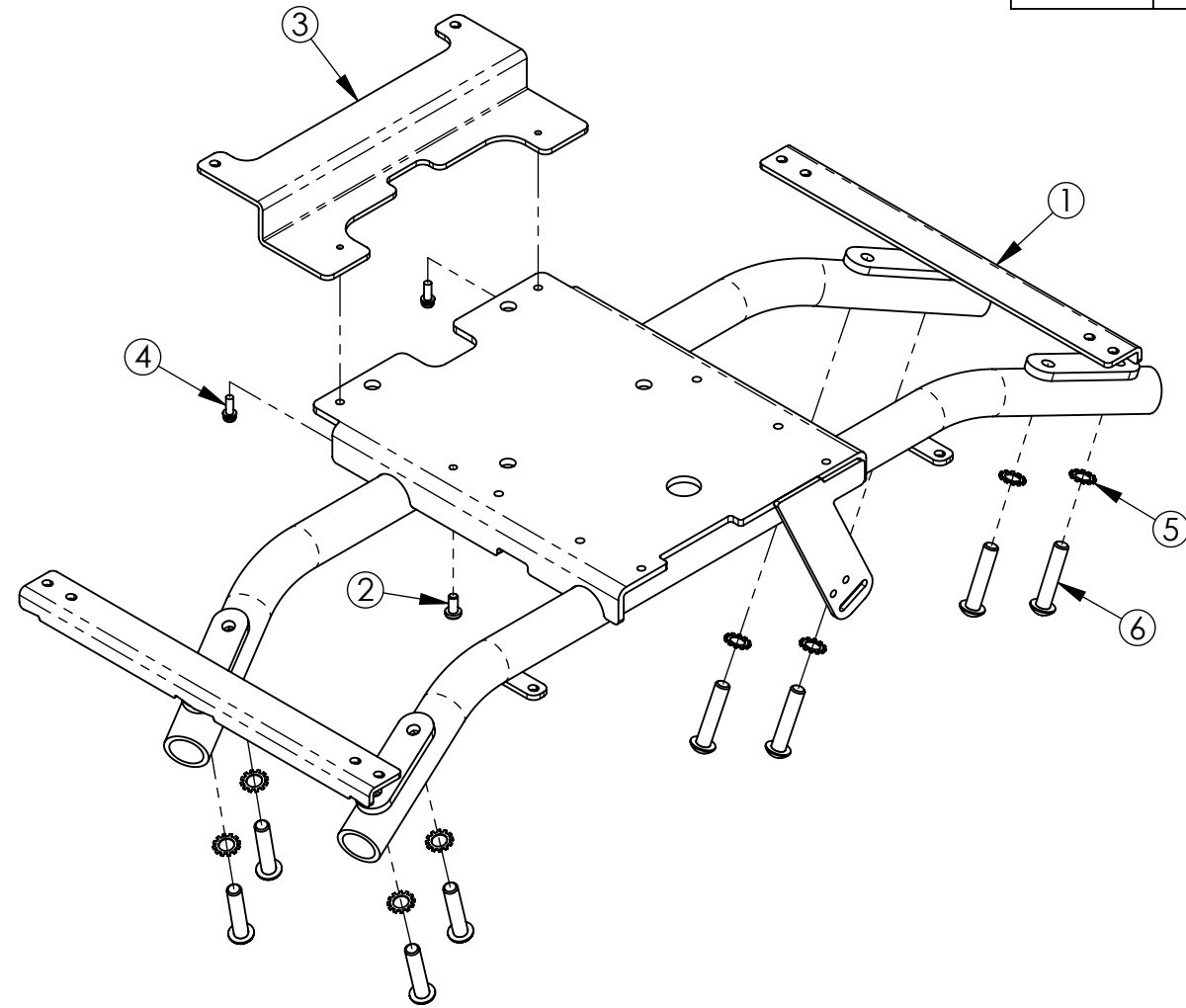


CONFIDENTIAL INFORMATION
 OF TRUE FITNESS TECHNOLOGY, INC. O'FALLON, MO. IT IS LOANED FOR
 CONFIDENTIAL USE. SUBJECT TO RETURN ON REQUEST, AND WITH THE
 MUTUAL UNDERSTANDING THAT IT WILL NOT BE USED IN ANY MANNER
 DETRIMENTAL TO THE INTERESTS OF TRUE FITNESS TECHNOLOGY, INC.

REV.	MCF#	DESCRIPTION	DATE	BY	APPRVL	TITLE	MODEL:	MATERIAL:	DRAWN BY	DATE	APPR. BY	DATE	FINISH	SCALE	REV.
						Nucleus Board Assembly BREAK ALL SHARP CORNERS & EDGES UNLESS OTHERWISE SPECIFIED DIMENSIONS ARE IN INCHES TOLERANCES UNLESS NOTED: FRACTIONS ±1/32" DECIMALS: .X ±.031" .XX ±.015" .XXX ±.005" ANGULAR ±1° HOLES ±.005" DO NOT SCALE DRAWING			DM	11/7/16				1:2	
A	-	ORIGINAL RELEASE	-	-	-										
									DWG. SIZE	DWG NO.					
									B	7TC0437					



ITEM NO.	True Part No	DK Part No	DESCRIPTION	QTY.
1	7TC0047	JTEA025	Center Pod Weldment	1
2	7TI0011	SAA5-10	Bolt M5xP0.8x10	1
3	7TC0048	NO-6954	Top Cover Pivot	1
4	7TCS0024	SK-576	SEMS Bolt M4xP0.7x12 Nylok	2
5	7TI0198	SPE8	Washer-External Teeth M8	8
6	7TI0199	SDA5-16-38IL-N	Bolt 5/16"-24UNFx38mm	8



REV.					TITLE	
					Pedestal Top Weldment Assembly	
					BREAK ALL SHARP CORNERS & EDGES	
					UNLESS OTHERWISE SPECIFIED DIMENSIONS ARE IN INCHES	
					TOLERANCES UNLESS NOTED:	
					FRACTIONS ±1/32"	
					DECIMALS:	
					.X ±.031"	
					.XX ±.015"	
					.XXX ±.005"	
					ANGULAR ±1°	
					HOLES ±.005"	
					DO NOT SCALE DRAWING	
A	-	ORIGINAL RELEASE	-	-	-	
REV.	MCF#	DESCRIPTION	DATE	BY	APPRVL	
					MODEL:	
					MATERIAL:	
		DRAWN BY	DATE	APPR. BY	DATE	FINISH
		DM	11/7/16			
					SCALE	
					1:4	
					DWG. NO.	
					7TC0438	
					REV.	

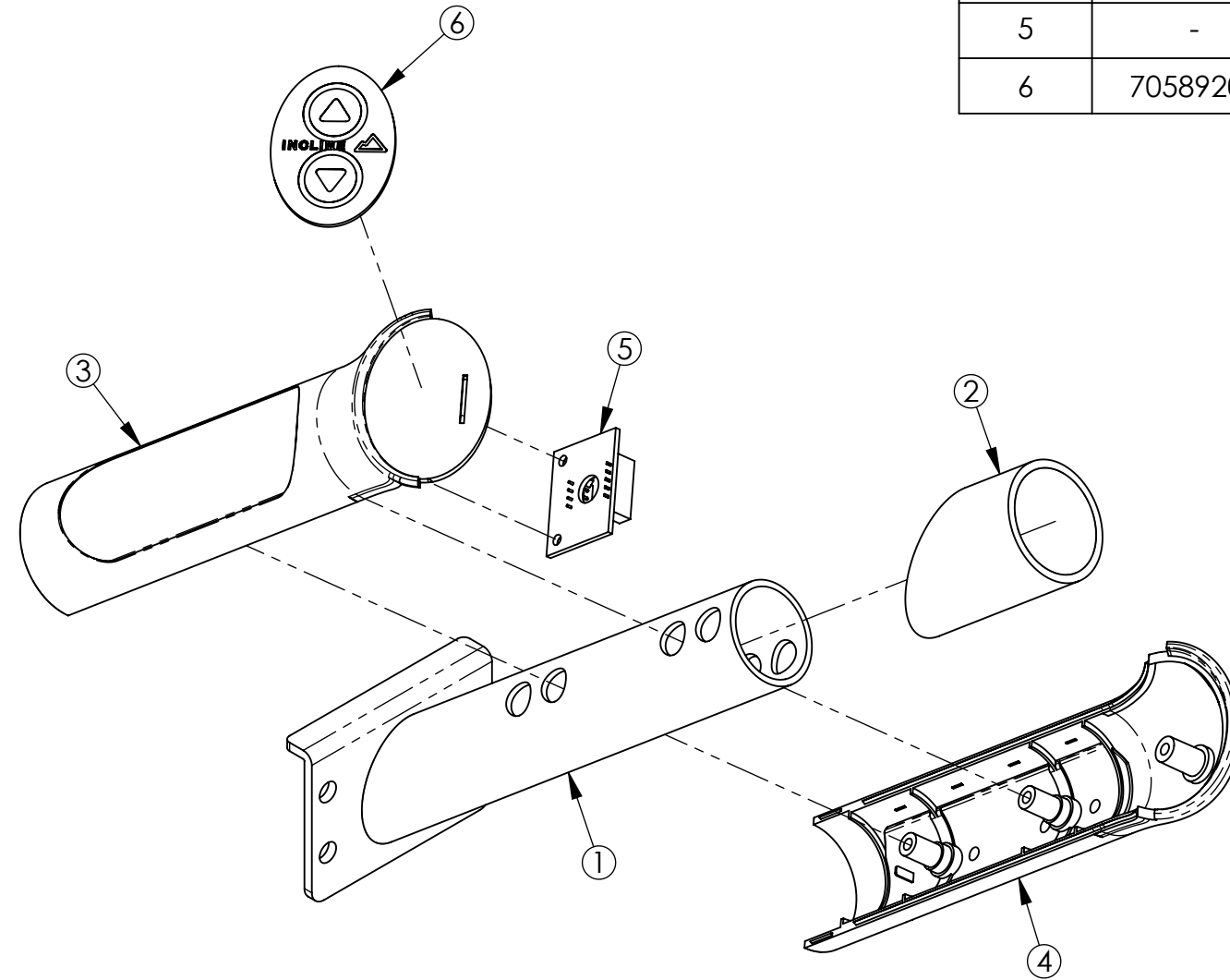
CONFIDENTIAL INFORMATION
 OF TRUE FITNESS TECHNOLOGY, INC. O'FALLON, MO. IT IS LOANED FOR
 CONFIDENTIAL USE. SUBJECT TO RETURN ON REQUEST, AND WITH THE
 MUTUAL UNDERSTANDING THAT IT WILL NOT BE USED IN ANY MANNER
 DETRIMENTAL TO THE INTERESTS OF TRUE FITNESS TECHNOLOGY, INC.

TRUE
 FITNESS TECHNOLOGY, INC.
 O'FALLON, MO. 63366

DWG. SIZE: **B**



ITEM NO.	True Part No	DK Part No	DESCRIPTION	QTY.
1	-	JTDA054L	CHR Grip Tube Weldment-LH	1
2	7TCS6009	PFM-079	Grip Cover	1
3	-	P-3552	CHR Plastic Top	1
4	-	P-3553	CHR Plastic Bottom	1
5	-	XEK-289	CHR Grip Board	1
6	70589200	RD-02-0005	Click Touch Thumbswitch-LH-Incline	1



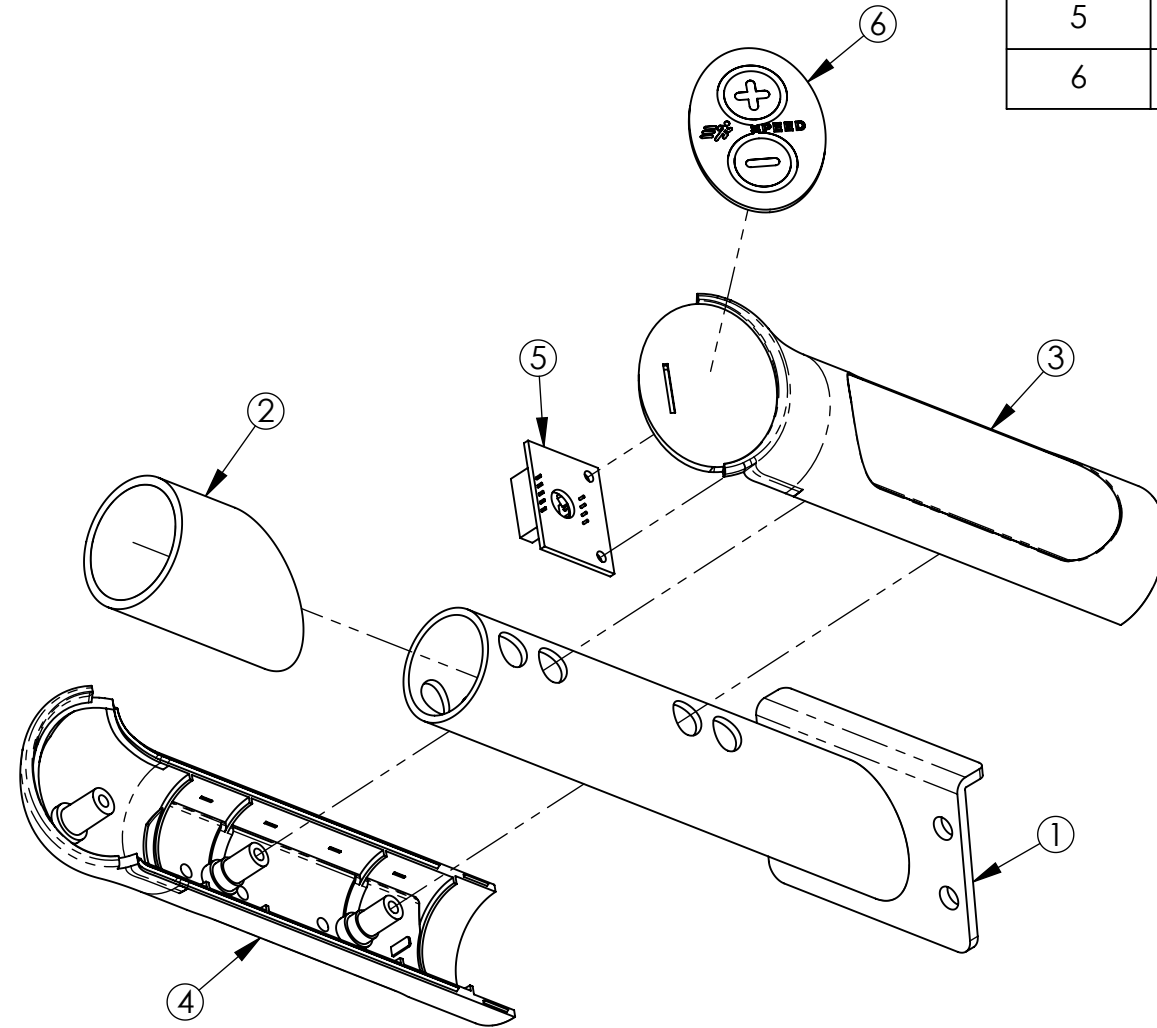
REV.	MCF#	DESCRIPTION	DATE	BY	APPRVL	TITLE	MODEL:	MATERIAL:	DRAWN BY	DATE	APPR. BY	DATE	FINISH	SCALE	DWG. SIZE	DWG NO.	REV.
						CHR Grip Assembly-LH BREAK ALL SHARP CORNERS & EDGES UNLESS OTHERWISE SPECIFIED DIMENSIONS ARE IN INCHES TOLERANCES UNLESS NOTED: FRACTIONS ±1/32" DECIMALS: .X ±.031" .XX ±.015" .XXX ±.005" ANGULAR ±1° HOLES ±.005" DO NOT SCALE DRAWING			DM	11/4/16				1:2	B	7TC0439L	
A	-	ORIGINAL RELEASE	-	-	-												

CONFIDENTIAL INFORMATION OF TRUE FITNESS TECHNOLOGY, INC. O'FALLON, MO. IT IS LOANED FOR CONFIDENTIAL USE. SUBJECT TO RETURN ON REQUEST, AND WITH THE MUTUAL UNDERSTANDING THAT IT WILL NOT BE USED IN ANY MANNER DETRIMENTAL TO THE INTERESTS OF TRUE FITNESS TECHNOLOGY, INC.



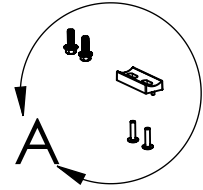


ITEM NO.	True Part No	DK Part No	DESCRIPTION	QTY.
1	-	JTDA054R	CHR Grip Tube Weldment-RH	1
2	7TCS6009	PFM-079	Grip Cover	1
3	-	P-3552	CHR Plastic Top	1
4	-	P-3553	CHR Plastic Bottom	1
5	-	XEK-289	CHR Grip Board	1
6	70589300	RD-02-0006	Click Touch Thumbswitch-RH-Speed	1

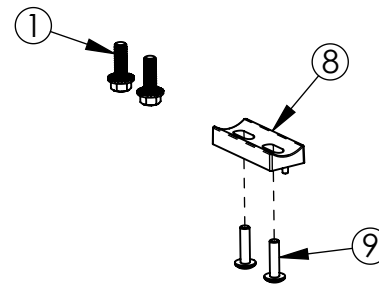


CONFIDENTIAL INFORMATION
 OF TRUE FITNESS TECHNOLOGY, INC. O'FALLON, MO. IT IS LOANED FOR
 CONFIDENTIAL USE. SUBJECT TO RETURN ON REQUEST, AND WITH THE
 MUTUAL UNDERSTANDING THAT IT WILL NOT BE USED IN ANY MANNER
 DETRIMENTAL TO THE INTERESTS OF TRUE FITNESS TECHNOLOGY, INC.

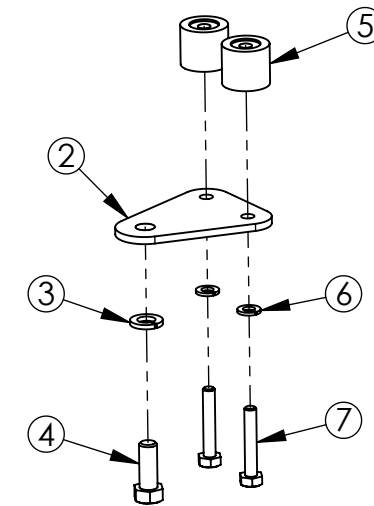
REV.	MCF#	DESCRIPTION	DATE	BY	APPRVL	TITLE	MODEL:	MATERIAL:	DRAWN BY	DATE	APPR. BY	DATE	FINISH	SCALE	REV.
A	-	ORIGINAL RELEASE	-	-	-	CHR Grip Assembly-RH BREAK ALL SHARP CORNERS & EDGES UNLESS OTHERWISE SPECIFIED DIMENSIONS ARE IN INCHES TOLERANCES UNLESS NOTED: FRACTIONS ±1/32" DECIMALS: .X ±.031" .XX ±.015" .XXX ±.005" ANGULAR ±1° HOLES ±.005" DO NOT SCALE DRAWING			DM	1/4/17				1:2	
									DWG. SIZE B		DWG NO. 7TC0439R				



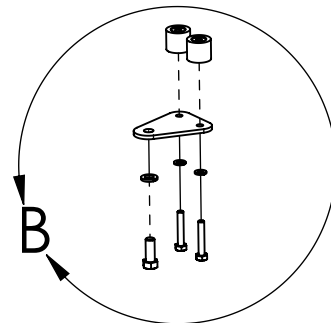
ITEM NO.	True Part No	DK Part No	DESCRIPTION	LH/QTY.
1	7TCS0027	SK-552	Bolt-Hex Head 1/4-20UNCx20mm	2
2	7TC0049	NO-6959	Rehab Rail Rear Mounting Plate	1
3	7TC0050	SPB3-8	Split Lock Washer	1
4	7TC0051	SEA3-8-25I	BOLT 3/8-16 X 1 w/ PATCH	1
5	7TC0052	NT-3672	Rehab Rail Rear Spacer	2
6	7TC0037	SPB1-4	Spring Washer 1/4"	2
7	7TC0054	SEA1-4-38-19I	Bolt	2
8	7TC0055	P-4582	SPACER-REHAB RAIL TRIM	1
9	7TC0056	SCA5-20	Bolt M5xP0.8x20	2



DETAIL A
SCALE 1 : 4



DETAIL B
SCALE 1 : 4

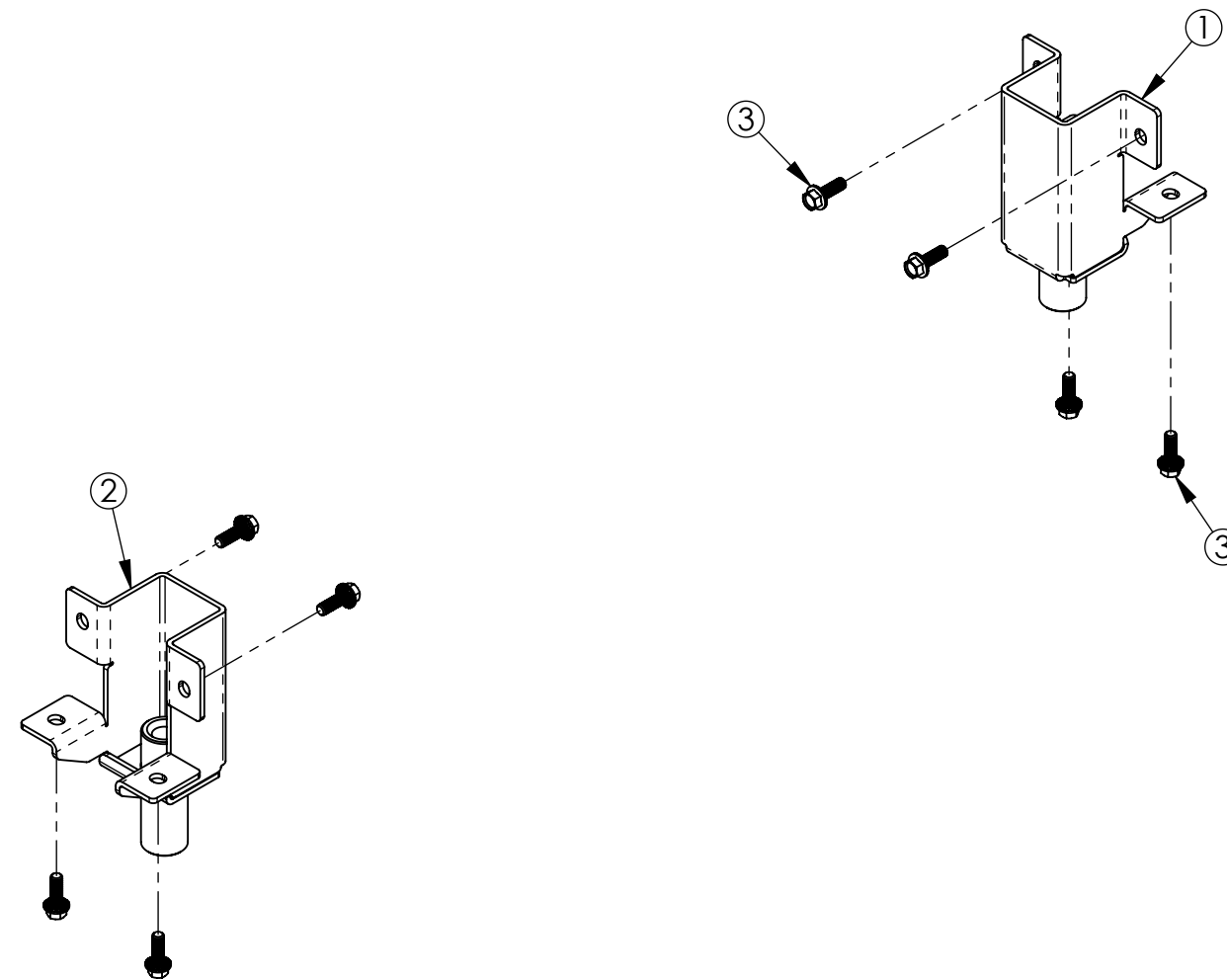


CONFIDENTIAL INFORMATION
OF TRUE FITNESS TECHNOLOGY, INC. O'FALLON, MO. IT IS LOANED FOR
CONFIDENTIAL USE. SUBJECT TO RETURN ON REQUEST, AND WITH THE
MUTUAL UNDERSTANDING THAT IT WILL NOT BE USED IN ANY MANNER
DETRIMENTAL TO THE INTERESTS OF TRUE FITNESS TECHNOLOGY, INC.

REV.	MCF#	DESCRIPTION	DATE	BY	APPRVL	TITLE	MODEL:	MATERIAL:	DRAWN BY	DATE	APPR. BY	DATE	FINISH	SCALE	REV.
A	-	ORIGINAL RELEASE	-	-	-	Rehab Rail Mounting Hardware			DM	11/7/16				1:8	
						BREAK ALL SHARP CORNERS & EDGES UNLESS OTHERWISE SPECIFIED DIMENSIONS ARE IN INCHES TOLERANCES UNLESS NOTED: FRACTIONS ±1/32" DECIMALS: .X ±.031" .XX ±.015" .XXX ±.005" ANGULAR ±1° HOLES ±.005" DO NOT SCALE DRAWING									
									DWG. SIZE		DWG NO.				
									B		7TC0440				



ITEM NO.	True Part No	DK Part No	DESCRIPTION	QTY.
1	7TC0080R	JTAY003R	Decline Bracket Weldment-RH	1
2	7TC0080L	JTAY003L	Decline Bracket Weldment-LH	1
3	7TCS0027	SK-552	Bolt-Hex Head 1/4-20UNCx20mm	8

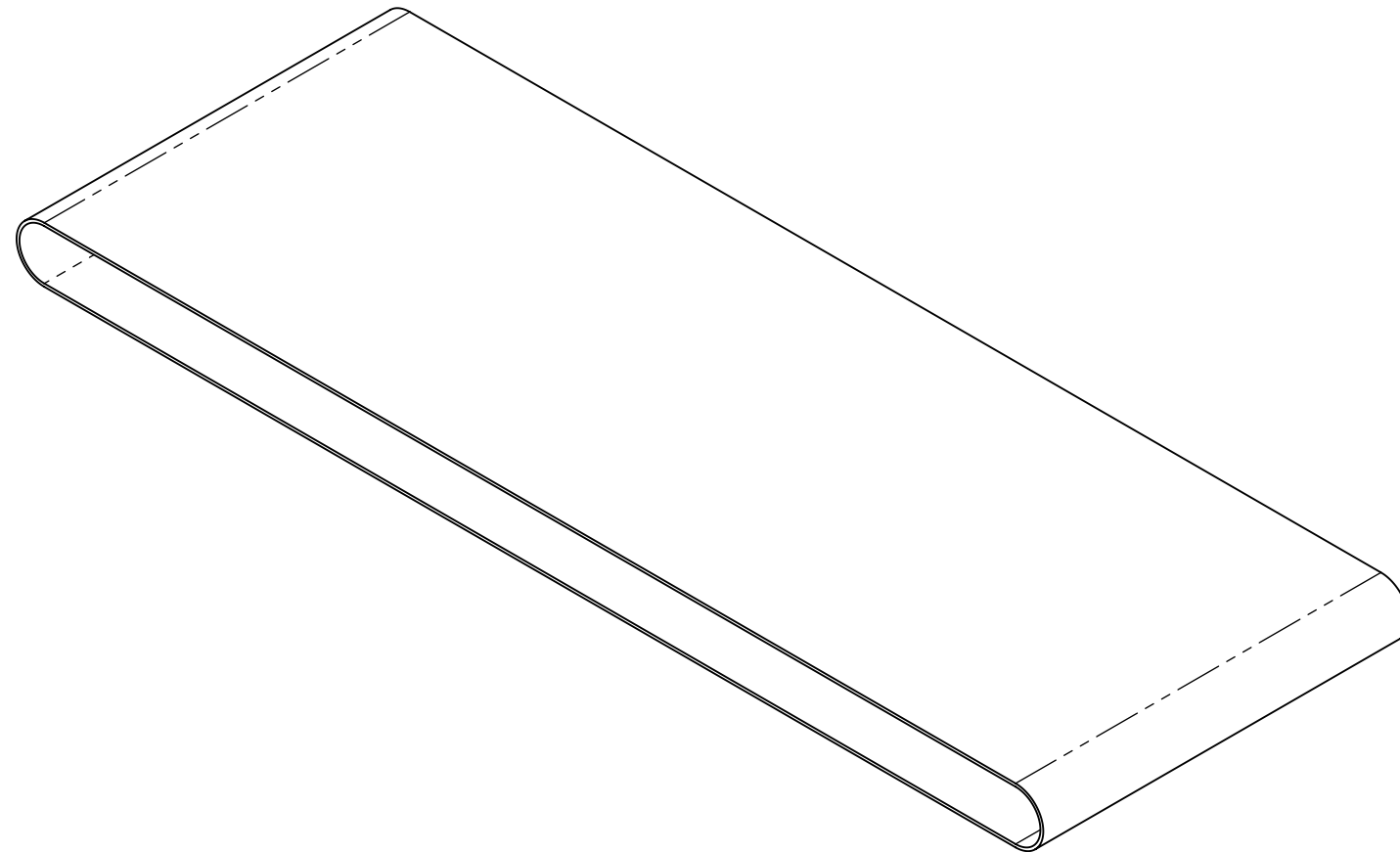


REV.	MCF#	DESCRIPTION	DATE	BY	APPRVL	TITLE	MODEL:	MATERIAL:	DRAWN BY	DATE	APPR. BY	DATE	FINISH	SCALE	REV.
						Decline Assembly			DM	2/2/17				1:4	
A	-	ORIGINAL RELEASE	-	-	-	BREAK ALL SHARP CORNERS & EDGES UNLESS OTHERWISE SPECIFIED DIMENSIONS ARE IN INCHES TOLERANCES UNLESS NOTED: FRACTIONS ±1/32" DECIMALS: .X ±.031" .XX ±.015" .XXX ±.005" ANGULAR ±1° HOLES ±.005" DO NOT SCALE DRAWING									
									DWG. SIZE		DWG NO.				
									B		7TC0442				

CONFIDENTIAL INFORMATION OF TRUE FITNESS TECHNOLOGY, INC. O'FALLON, MO. IT IS LOANED FOR CONFIDENTIAL USE. SUBJECT TO RETURN ON REQUEST, AND WITH THE MUTUAL UNDERSTANDING THAT IT WILL NOT BE USED IN ANY MANNER DETRIMENTAL TO THE INTERESTS OF TRUE FITNESS TECHNOLOGY, INC.



ITEM NO.	True Part No	DK Part No	DESCRIPTION	QTY.
1	7TE0001L	CB00030	Running Belt	1

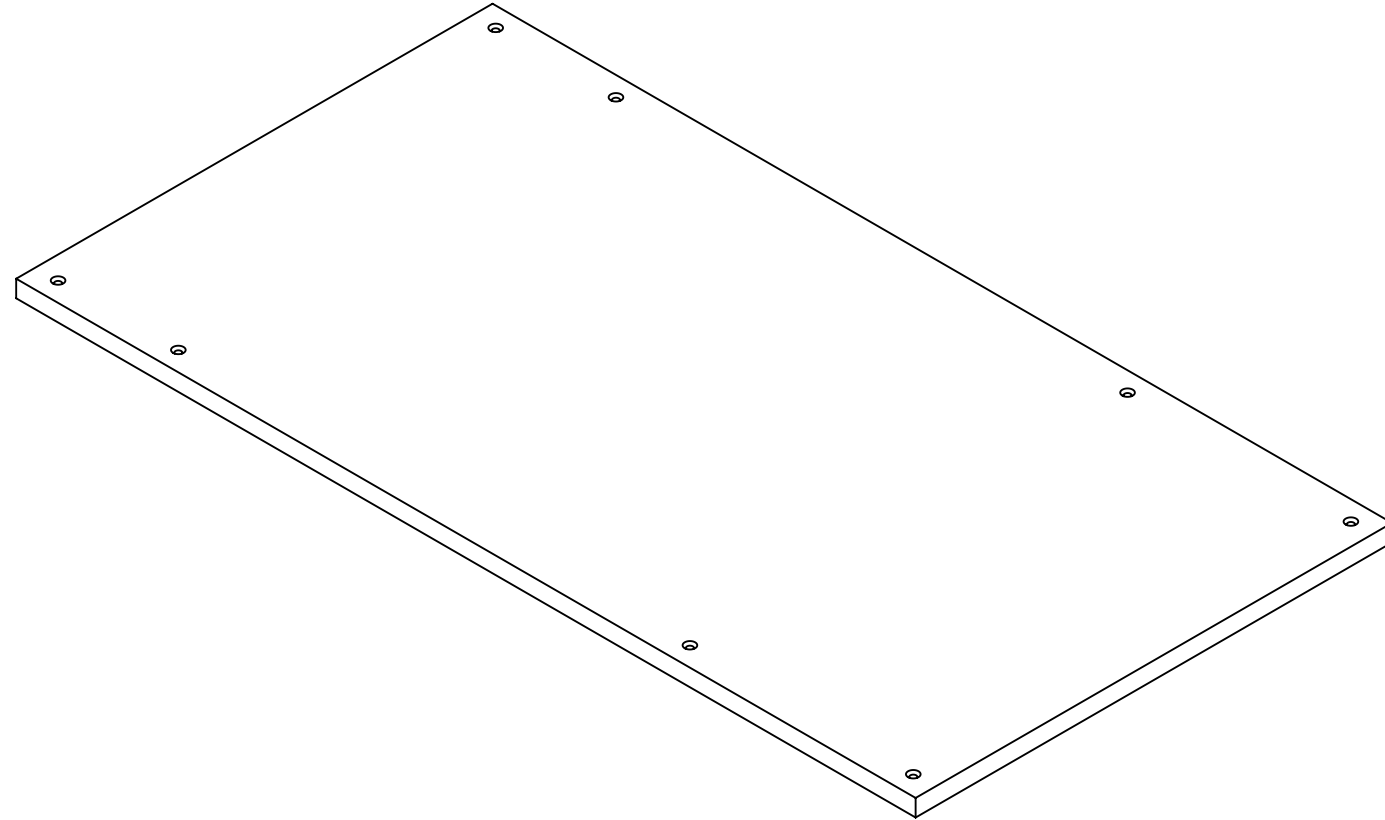


CONFIDENTIAL INFORMATION
 OF TRUE FITNESS TECHNOLOGY, INC. O'FALLON, MO. IT IS LOANED FOR
 CONFIDENTIAL USE. SUBJECT TO RETURN ON REQUEST, AND WITH THE
 MUTUAL UNDERSTANDING THAT IT WILL NOT BE USED IN ANY MANNER
 DETRIMENTAL TO THE INTERESTS OF TRUE FITNESS TECHNOLOGY, INC.

REV.	MCF#	DESCRIPTION	DATE	BY	APPRVL	TITLE	MODEL:	MATERIAL:	DRAWN BY	DATE	APPR. BY	DATE	FINISH	SCALE	REV.
						Running Belt			DM	2/22/17				1:8	
A	-	ORIGINAL RELEASE	-	-	-	BREAK ALL SHARP CORNERS & EDGES UNLESS OTHERWISE SPECIFIED DIMENSIONS ARE IN INCHES TOLERANCES UNLESS NOTED: FRACTIONS ±1/32" DECIMALS: .X ±.031" .XX ±.015" .XXX ±.005" ANGULAR ±1° HOLES ±.005" DO NOT SCALE DRAWING					DWG. SIZE	DWG NO.			
							B	7TE0001L							



ITEM NO.	True Part No	DK Part No	DESCRIPTION	QTY.
1	7TE0002	MB-060	Deck	1

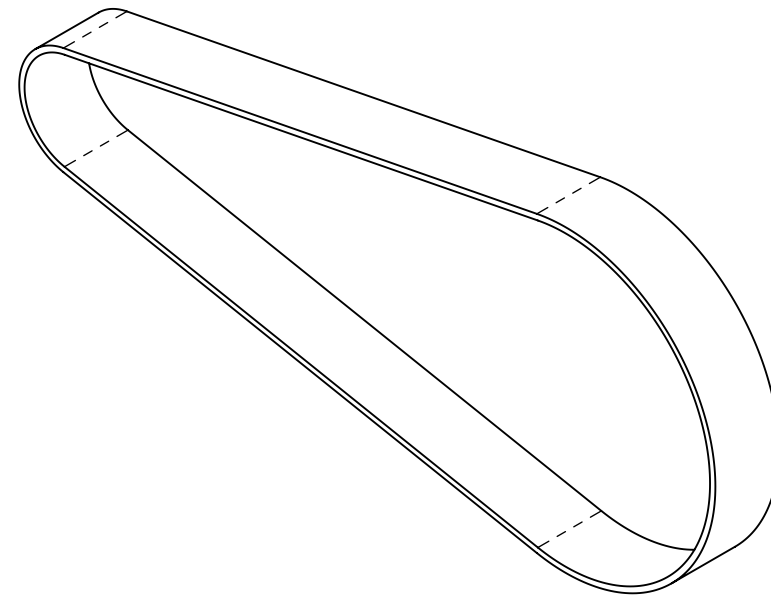


CONFIDENTIAL INFORMATION
 OF TRUE FITNESS TECHNOLOGY, INC. O'FALLON, MO. IT IS LOANED FOR
 CONFIDENTIAL USE. SUBJECT TO RETURN ON REQUEST, AND WITH THE
 MUTUAL UNDERSTANDING THAT IT WILL NOT BE USED IN ANY MANNER
 DETRIMENTAL TO THE INTERESTS OF TRUE FITNESS TECHNOLOGY, INC.

REV.	MCF#	DESCRIPTION	DATE	BY	APPRVL	TITLE
A	-	ORIGINAL RELEASE	-	-	-	Deck
						BREAK ALL SHARP CORNERS & EDGES UNLESS OTHERWISE SPECIFIED DIMENSIONS ARE IN INCHES TOLERANCES UNLESS NOTED: FRACTIONS ±1/32" DECIMALS: .X ±.031" .XX ±.015" .XXX ±.005" ANGULAR ±1° HOLES ±.005" DO NOT SCALE DRAWING
						MODEL: MATERIAL: DRAWN BY: DM DATE: 2/22/17 APPR. BY: DATE: FINISH: SCALE: 1:8 TRUE FITNESS TECHNOLOGY, INC. O'FALLON, MO. 63366 DWG. NO.: 7TE0002 DWG. SIZE: B
						REV.

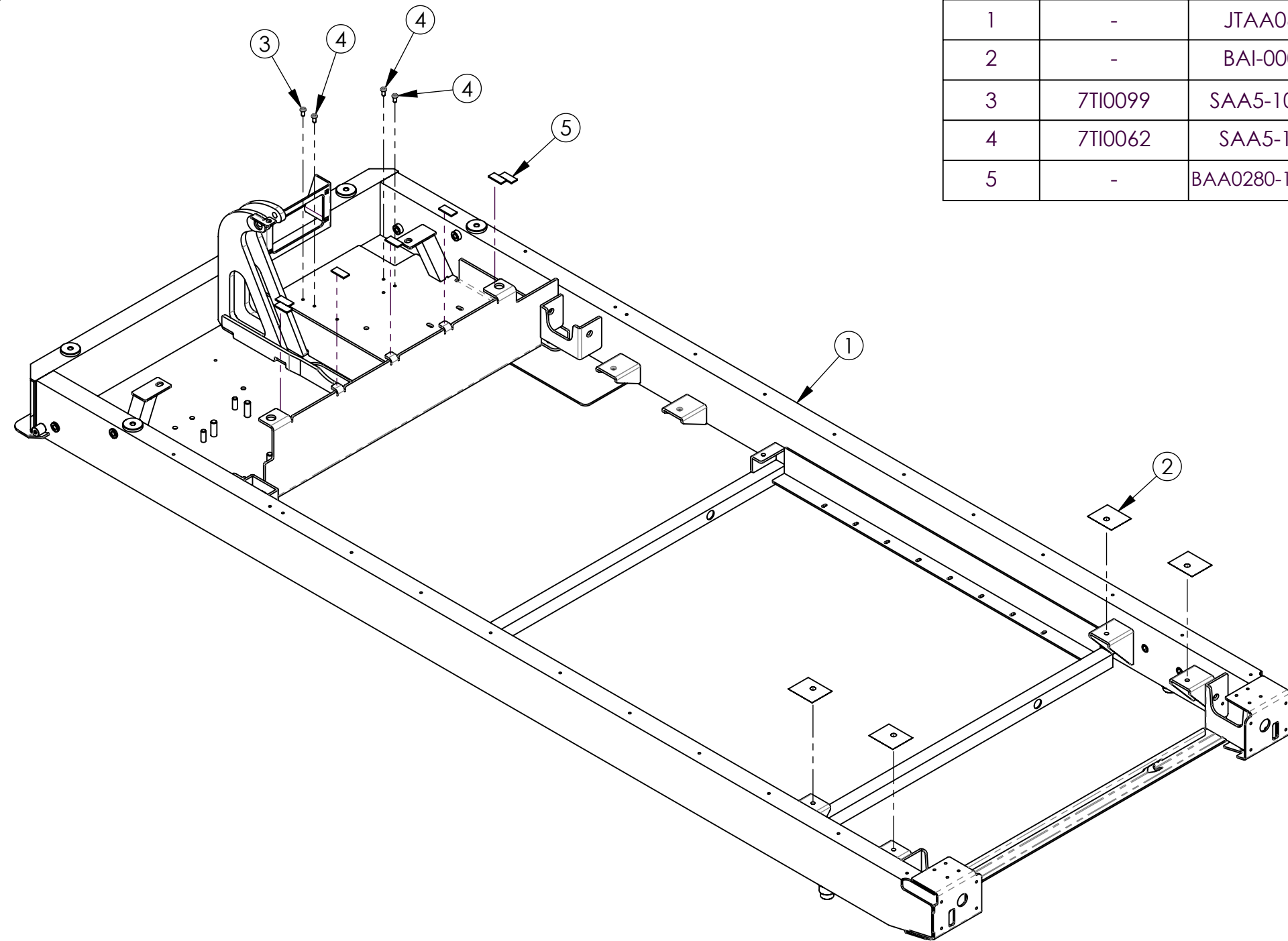


ITEM NO.	True Part No	DK Part No	DESCRIPTION	QTY.
1	7TE0004	CA-608J10	Drive Belt	1



REV.	MCF#	DESCRIPTION	DATE	BY	APPRVL	TITLE	MODEL:	DATE	APPR. BY	DATE	FINISH	SCALE
						Drive Belt						
						BREAK ALL SHARP CORNERS & EDGES						
						UNLESS OTHERWISE SPECIFIED DIMENSIONS ARE IN INCHES						
						TOLERANCES UNLESS NOTED:						
						FRACTIONS ±1/32"						
						DECIMALS:						
						.X ±.031"						
						.XX ±.015"						
						.XXX ±.005"						
						ANGULAR ±1°						
						HOLES ±.005"						
A	-	ORIGINAL RELEASE	-	-	-	DO NOT SCALE DRAWING						1:2
							DRAWN BY DM	DATE 2/22/17	APPR. BY -	DATE -	FINISH -	
									DWG. SIZE B	DWG NO. 7TE0004		REV. -
							<small>FITNESS TECHNOLOGY, INC. O'FALLON, MO. 63366</small>					

CONFIDENTIAL INFORMATION OF TRUE FITNESS TECHNOLOGY, INC. O'FALLON, MO. IT IS LOANED FOR CONFIDENTIAL USE. SUBJECT TO RETURN ON REQUEST, AND WITH THE MUTUAL UNDERSTANDING THAT IT WILL NOT BE USED IN ANY MANNER DETRIMENTAL TO THE INTERESTS OF TRUE FITNESS TECHNOLOGY, INC.



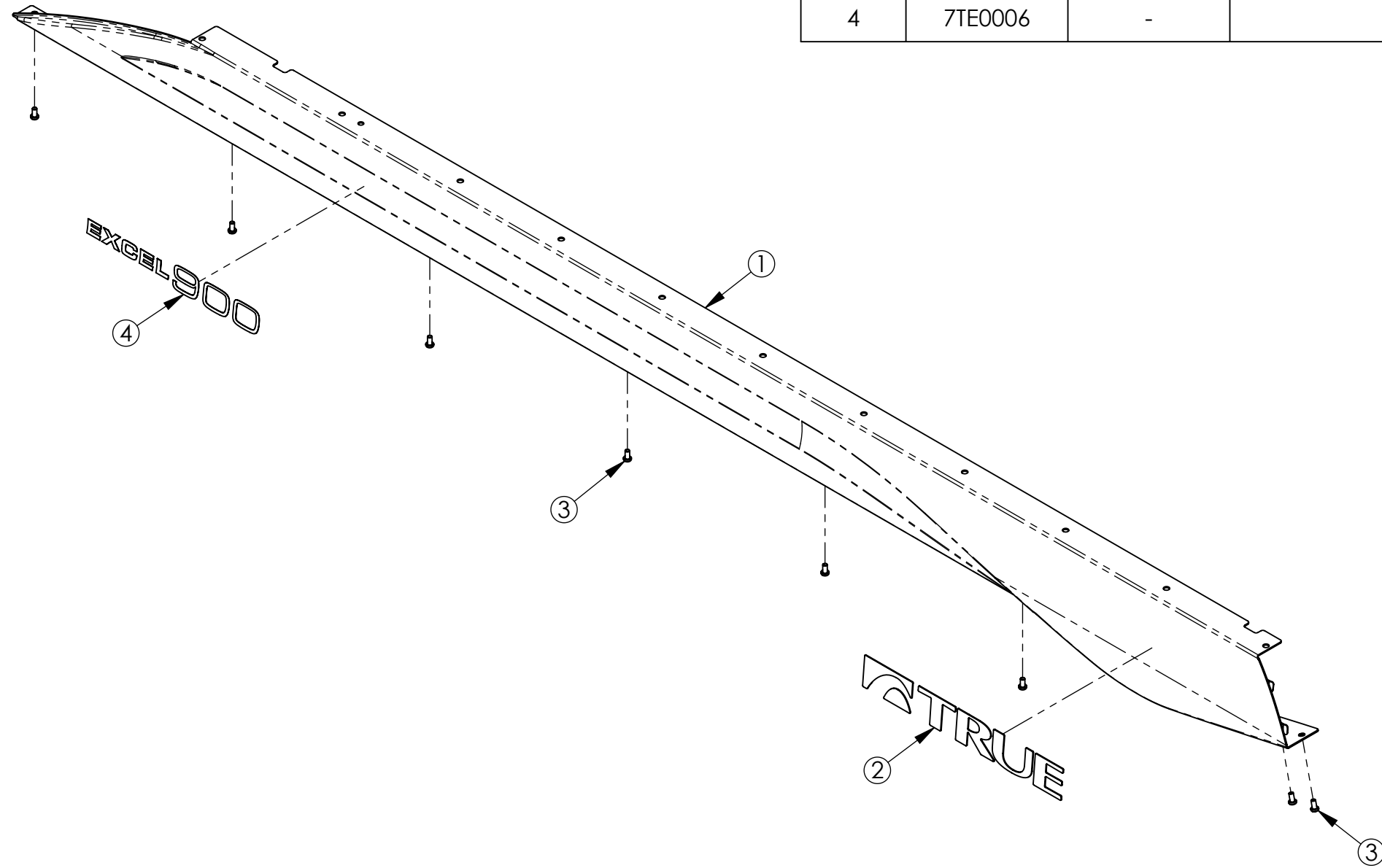
ITEM NO.	True Part No	DK Part No	DESCRIPTION	QTY.
1	-	JTAA064	Frame	1
2	-	BAI-0002	3M Tape 53.2mmx44.5mmx0.14t (3M #232)	4
3	7TI0099	SAA5-10GZ	Bolt M5xP0.8x10 (Zinc Plated)	1
4	7TI0062	SAA5-10L	Bolt (Blue Nylok) #10-32UNFx10mm	3
5	-	BAA0280-130-20	Foam Tape 28mmx13mmx2.0t	7

REV.	MCF#	DESCRIPTION	DATE	BY	APPRVL	TITLE	MODEL:	MATERIAL:	DRAWN BY	DATE	APPR. BY	DATE	FINISH	SCALE	REV.
						Frame Weldment Assembly			DM	2/22/17				1:8	
A	-	ORIGINAL RELEASE	-	-	-										
						BREAK ALL SHARP CORNERS & EDGES UNLESS OTHERWISE SPECIFIED DIMENSIONS ARE IN INCHES TOLERANCES UNLESS NOTED: FRACTIONS ±1/32" DECIMALS: .X ±.031" .XX ±.015" .XXX ±.005" ANGULAR ±1° HOLES ±.005" DO NOT SCALE DRAWING									
							TRUE FITNESS TECHNOLOGY, INC. O'FALLON, MO. 63366	DWG. SIZE B					DWG NO. 7TE0100		

CONFIDENTIAL INFORMATION OF TRUE FITNESS TECHNOLOGY, INC. O'FALLON, MO. IT IS LOANED FOR CONFIDENTIAL USE. SUBJECT TO RETURN ON REQUEST, AND WITH THE MUTUAL UNDERSTANDING THAT IT WILL NOT BE USED IN ANY MANNER DETRIMENTAL TO THE INTERESTS OF TRUE FITNESS TECHNOLOGY, INC.



ITEM NO.	True Part No	DK Part No	DESCRIPTION	QTY.
1		NO-6934L	Formed Side Trim-LH	1
2	7TCS0038	-	True Logo	1
3	7TC0091	SCA5-10L	Truss Philips Bolt M5xP0.8x10 (Blue Nylok)	8
4	7TE0006	-	TE900 Logo	1

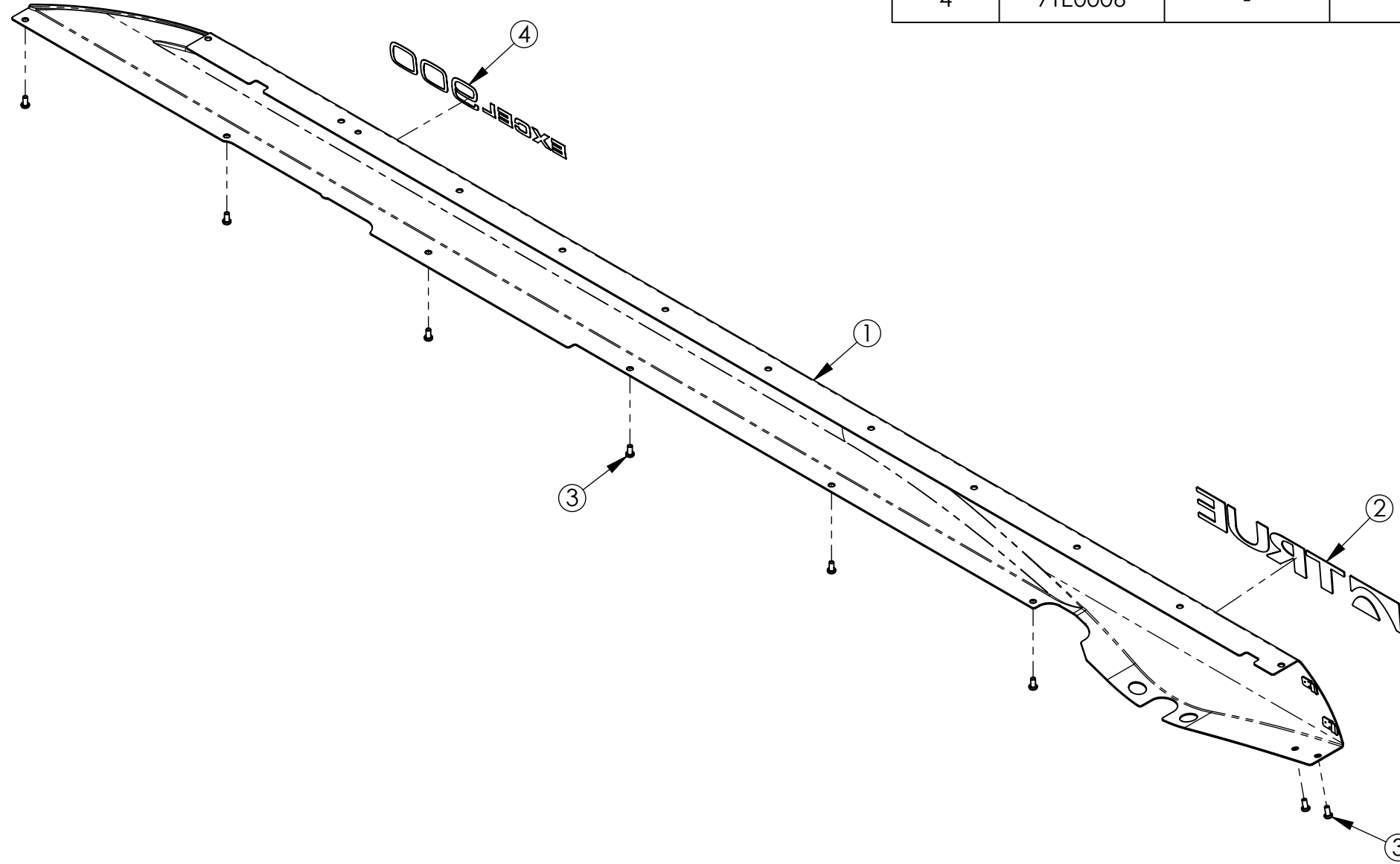


CONFIDENTIAL INFORMATION
 OF TRUE FITNESS TECHNOLOGY, INC. O'FALLON, MO. IT IS LOANED FOR
 CONFIDENTIAL USE. SUBJECT TO RETURN ON REQUEST, AND WITH THE
 MUTUAL UNDERSTANDING THAT IT WILL NOT BE USED IN ANY MANNER
 DETRIMENTAL TO THE INTERESTS OF TRUE FITNESS TECHNOLOGY, INC.

REV.	MCF#	DESCRIPTION	DATE	BY	APPRVL	TITLE	MODEL:	DATE	APPR. BY	DATE	FINISH	SCALE	REV.
A	-	ORIGINAL RELEASE	-	-	-	Formed Side Trim Assembly-LH						1:6	
						BREAK ALL SHARP CORNERS & EDGES UNLESS OTHERWISE SPECIFIED DIMENSIONS ARE IN INCHES TOLERANCES UNLESS NOTED: FRACTIONS $\pm 1/32"$ DECIMALS: .X $\pm 0.031"$.XX $\pm 0.015"$.XXX $\pm 0.005"$ ANGULAR $\pm 1^\circ$ HOLES $\pm 0.005"$ DO NOT SCALE DRAWING							
						DRAWN BY: DM DATE: 2/22/17 DWG. SIZE: B DWG NO.: 7TE0101L TRUE FITNESS TECHNOLOGY, INC. O'FALLON, MO. 63366							



ITEM NO.	True Part No	DK Part No	DESCRIPTION	QTY.
1	-	NO-6934R	New Side Trim-(R)	1
2	7TCS0038	-	True Logo	1
3	7TC0091	SCA5-10L	Truss Philips Bolt M5xP0.8x10 (Blue Nylok)	8
4	7TE0006	-	TE900 Logo	1

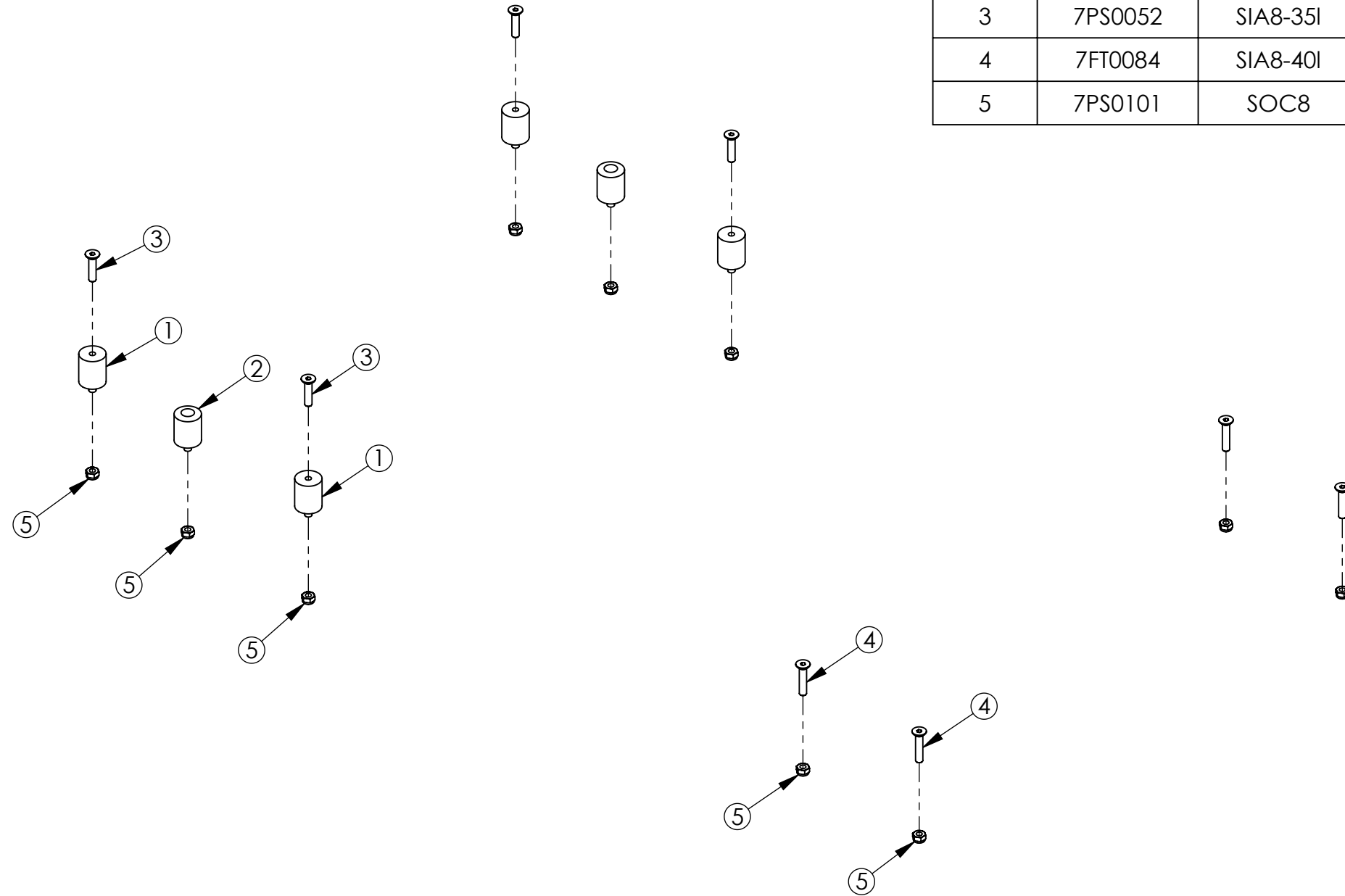


CONFIDENTIAL INFORMATION
 OF TRUE FITNESS TECHNOLOGY, INC. O'FALLON, MO. IT IS LOANED FOR
 CONFIDENTIAL USE. SUBJECT TO RETURN ON REQUEST, AND WITH THE
 MUTUAL UNDERSTANDING THAT IT WILL NOT BE USED IN ANY MANNER
 DETRIMENTAL TO THE INTERESTS OF TRUE FITNESS TECHNOLOGY, INC.

REV.	MCF#	DESCRIPTION	DATE	BY	APPRVL	TITLE	Formed Side Trim Assembly-RH				
A	-	ORIGINAL RELEASE	-	-	-	BREAK ALL SHARP CORNERS & EDGES UNLESS OTHERWISE SPECIFIED DIMENSIONS ARE IN INCHES TOLERANCES UNLESS NOTED: FRACTIONS ±1/32" DECIMALS: .X ±.031" .XX ±.015" .XXX ±.005" ANGULAR ±1° HOLES ±.005" DO NOT SCALE DRAWING	MODEL:				
							MATERIAL:				
						DRAWN BY DM	DATE 2/22/17	APPR. BY	DATE	FINISH	SCALE 1:6
						FITNESS TECHNOLOGY, INC. O'FALLON, MO. 63366		DWG. SIZE B	DWG NO. 7TE0101R		REV.



ITEM NO.	True Part No	DK Part No	DESCRIPTION	QTY.
1	7PS8047	P-1301F	Bumper	4
2	7TCS0026	P-2347	Bumper	2
3	7PS0052	SIA8-35I	Bolt M8xP1.25x35	4
4	7FT0084	SIA8-40I	Bolt M8xP1.25x40	4
5	7PS0101	SOC8	Nut M8xP1.25	10

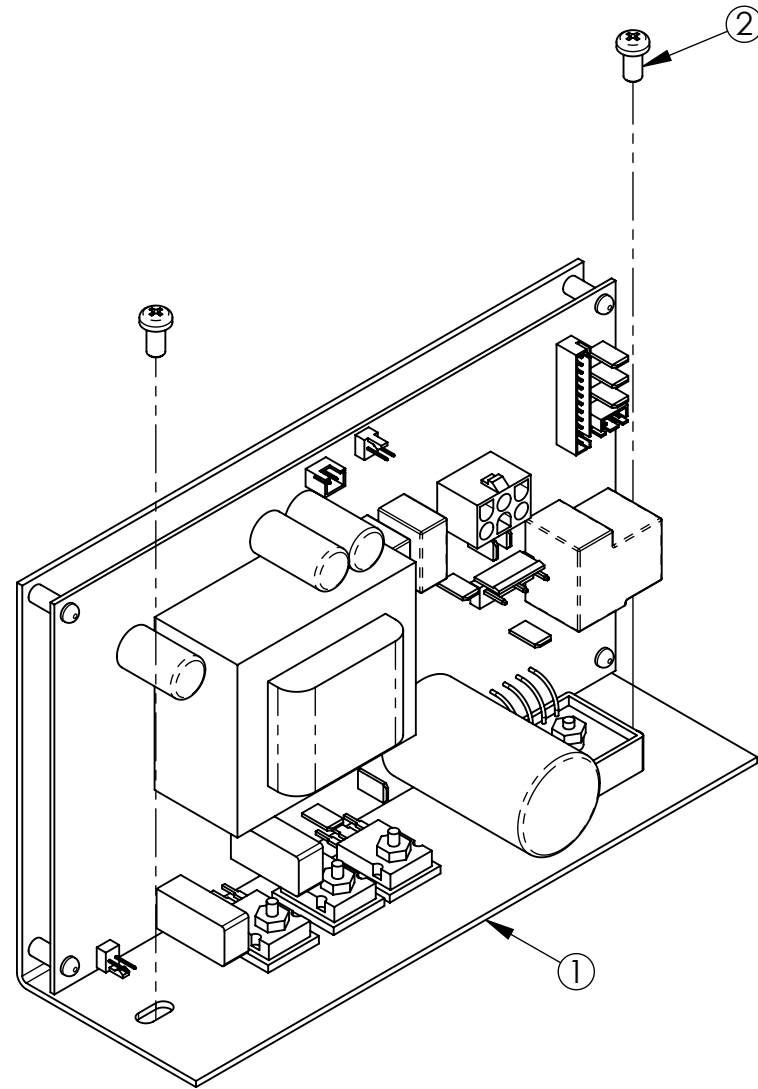


CONFIDENTIAL INFORMATION
 OF TRUE FITNESS TECHNOLOGY, INC. O'FALLON, MO. IT IS LOANED FOR
 CONFIDENTIAL USE. SUBJECT TO RETURN ON REQUEST, AND WITH THE
 MUTUAL UNDERSTANDING THAT IT WILL NOT BE USED IN ANY MANNER
 DETRIMENTAL TO THE INTERESTS OF TRUE FITNESS TECHNOLOGY, INC.

REV.	MCF#	DESCRIPTION	DATE	BY	APPRVL	TITLE	MODEL:	MATERIAL:	DRAWN BY	DATE	APPR. BY	DATE	FINISH	SCALE	REV.
A	-	ORIGINAL RELEASE	-	-	-	Deck Hardware			DM	2/22/17				1:6	
						BREAK ALL SHARP CORNERS & EDGES UNLESS OTHERWISE SPECIFIED DIMENSIONS ARE IN INCHES TOLERANCES UNLESS NOTED: FRACTIONS ±1/32" DECIMALS: .X ±.031" .XX ±.015" .XXX ±.005" ANGULAR ±1° HOLES ±.005" DO NOT SCALE DRAWING									
									FITNESS TECHNOLOGY, INC. O'FALLON, MO. 63366						
									DWG. SIZE		DWG NO.	7TE0102			
									B						



ITEM NO.	True Part No	DK Part No	DESCRIPTION	QTY.
1	7PS0032	XRБ-028-024	Controller	1
2	7TI0062	SAA5-10L	Bolt (Blue Nylok) #10-32UNFx10mm	2

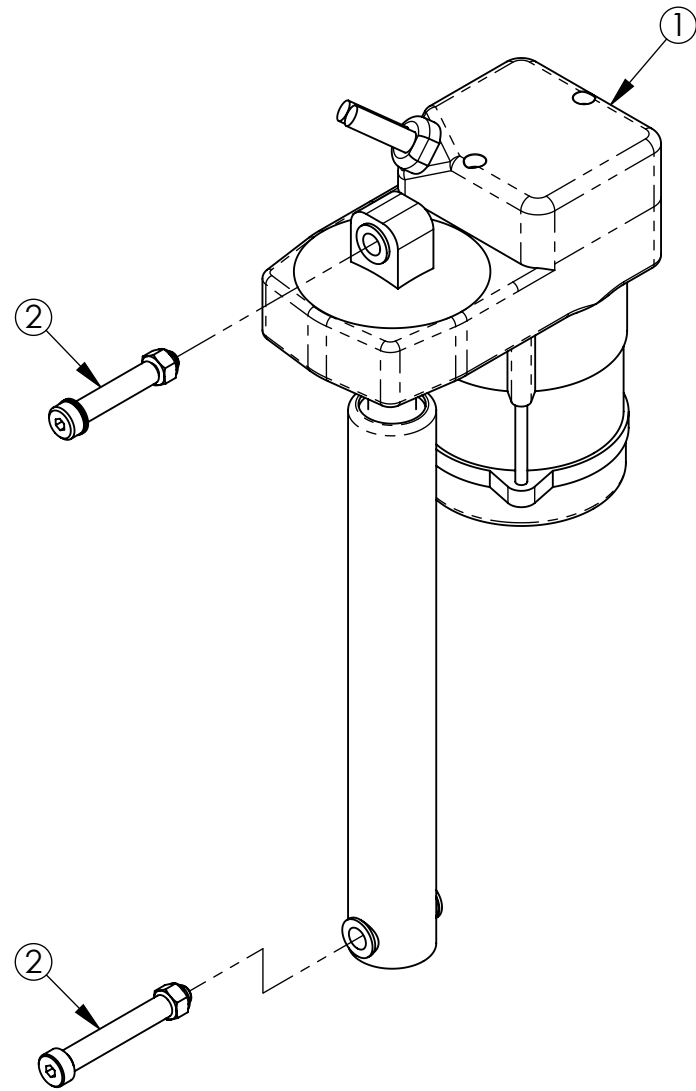


CONFIDENTIAL INFORMATION
 OF TRUE FITNESS TECHNOLOGY, INC. O'FALLON, MO. IT IS LOANED FOR
 CONFIDENTIAL USE. SUBJECT TO RETURN ON REQUEST, AND WITH THE
 MUTUAL UNDERSTANDING THAT IT WILL NOT BE USED IN ANY MANNER
 DETRIMENTAL TO THE INTERESTS OF TRUE FITNESS TECHNOLOGY, INC.

REV.	MCF#	DESCRIPTION	DATE	BY	APPRVL	TITLE					
A	-	ORIGINAL RELEASE	-	-	-	Lower Board Assembly BREAK ALL SHARP CORNERS & EDGES UNLESS OTHERWISE SPECIFIED DIMENSIONS ARE IN INCHES TOLERANCES UNLESS NOTED: FRACTIONS ±1/32" DECIMALS: .X ±.031" .XX ±.015" .XXX ±.005" ANGULAR ±1° HOLES ±.005" DO NOT SCALE DRAWING	MODEL:				
							MATERIAL:				
						DRAWN BY	DATE	APPR. BY	DATE	FINISH	SCALE
						DM	3/1/17				1:2
								DWG. SIZE	DWG NO.		REV.
						B		7TE0103			



ITEM NO.	True Part No	DK Part No	DESCRIPTION	QTY.
1	?? ??	XM-317	Incline Motor	1
2	7TC0422	-	Incline Motor Mounting Hardware	1

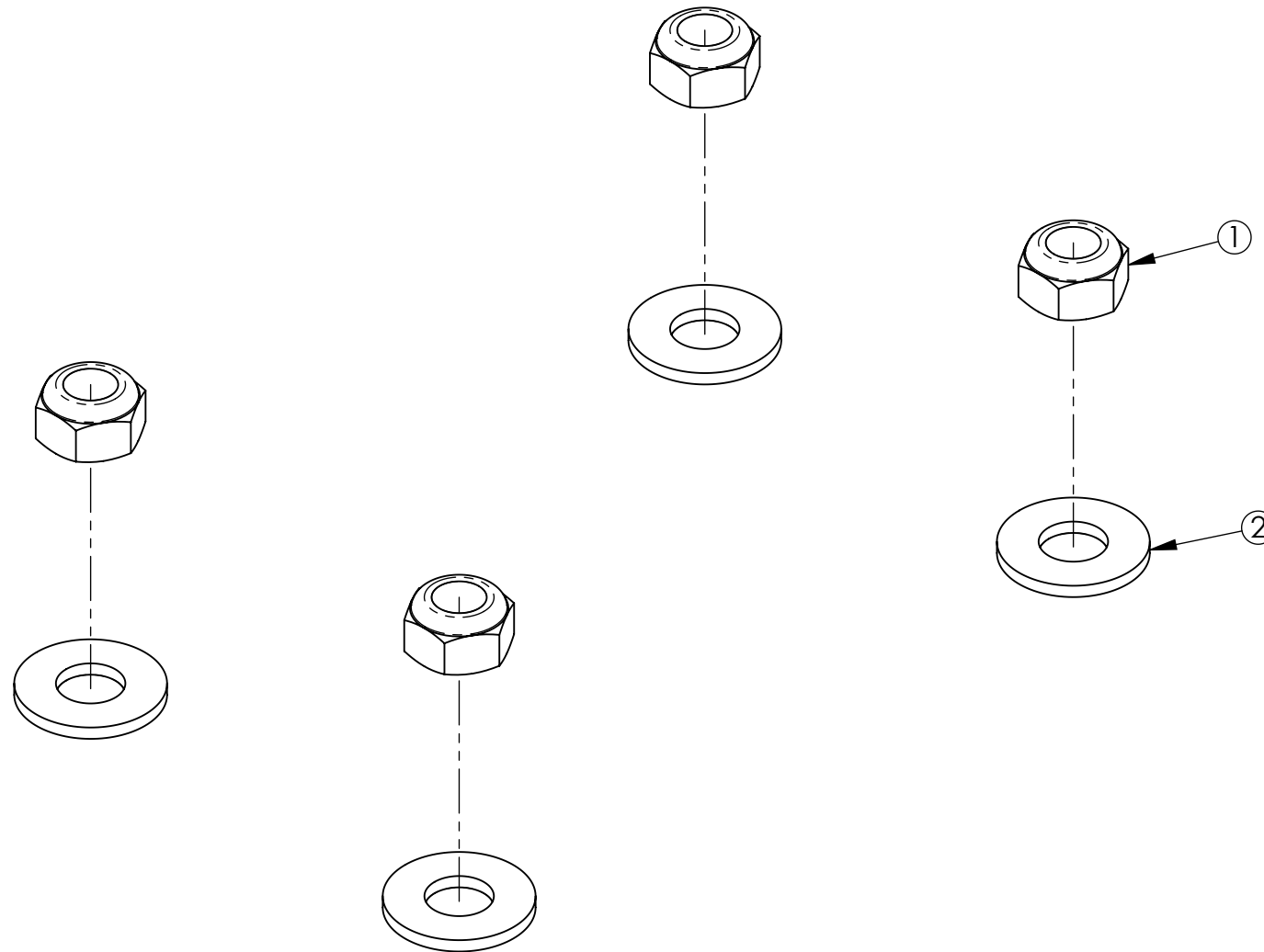


CONFIDENTIAL INFORMATION
 OF TRUE FITNESS TECHNOLOGY, INC. O'FALLON, MO. IT IS LOANED FOR
 CONFIDENTIAL USE. SUBJECT TO RETURN ON REQUEST, AND WITH THE
 MUTUAL UNDERSTANDING THAT IT WILL NOT BE USED IN ANY MANNER
 DETRIMENTAL TO THE INTERESTS OF TRUE FITNESS TECHNOLOGY, INC.

REV.	MCF#	DESCRIPTION	DATE	BY	APPRVL	TITLE	MODEL:	DATE	APPR. BY	DATE	FINISH	SCALE	REV.
A	-	ORIGINAL RELEASE	-	-	-	Incline Motor Assembly BREAK ALL SHARP CORNERS & EDGES UNLESS OTHERWISE SPECIFIED DIMENSIONS ARE IN INCHES TOLERANCES UNLESS NOTED: FRACTIONS ±1/32" DECIMALS: .X ±.031" .XX ±.015" .XXX ±.005" ANGULAR ±1° HOLES ±.005" DO NOT SCALE DRAWING	MATERIAL:	2/22/17				1:3	
								DWG. SIZE B	DWG NO. 7TE0104				



ITEM NO.	True Part No	DK Part No	DESCRIPTION	QTY.
1	7TE0018	SOC3-8x16	Nut 3/8-16UNC	4
2	7TE0008	SPA100-220-20	Washer 10x22x2.0t	4

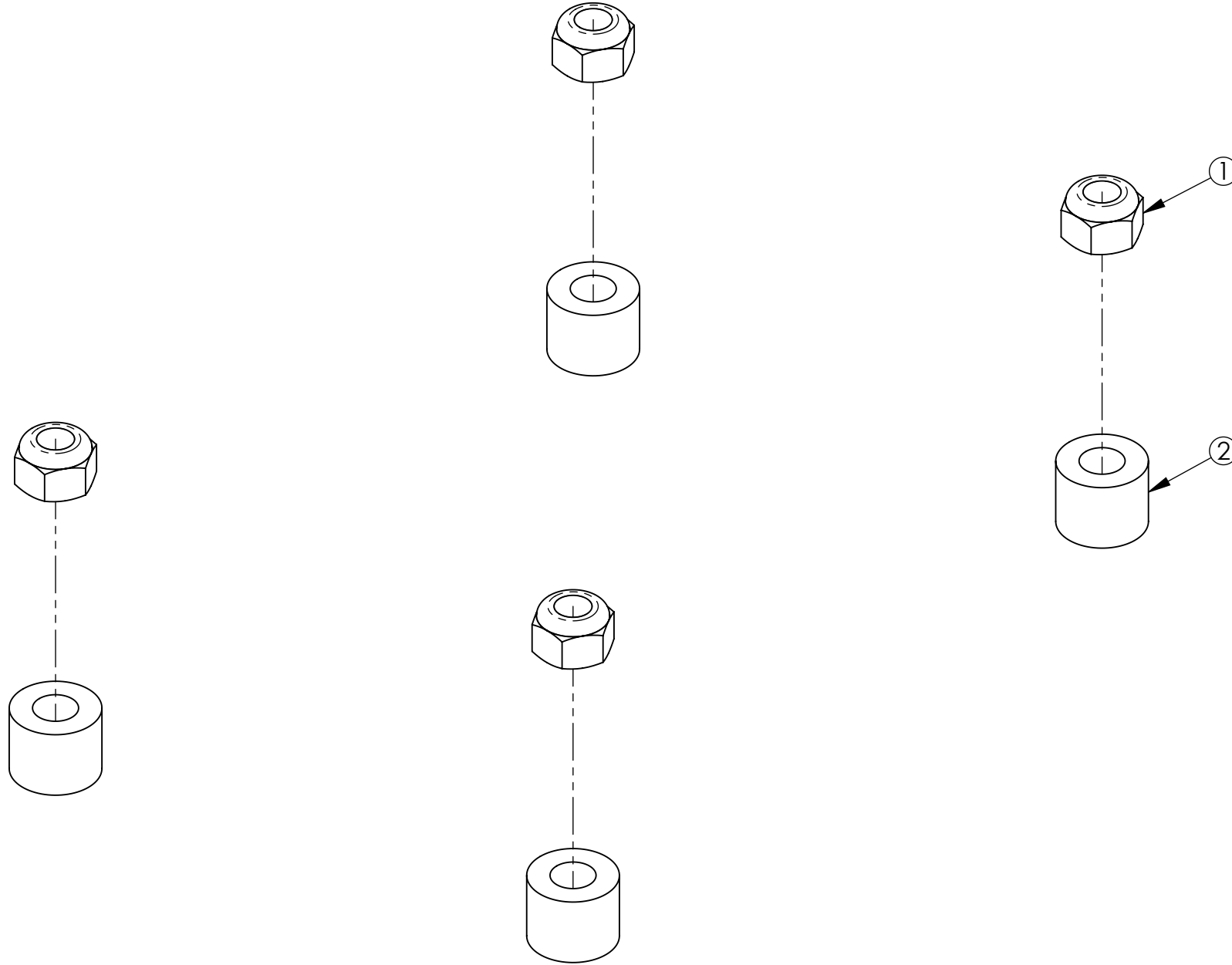


CONFIDENTIAL INFORMATION
 OF TRUE FITNESS TECHNOLOGY, INC. O'FALLON, MO. IT IS LOANED FOR
 CONFIDENTIAL USE. SUBJECT TO RETURN ON REQUEST, AND WITH THE
 MUTUAL UNDERSTANDING THAT IT WILL NOT BE USED IN ANY MANNER
 DETRIMENTAL TO THE INTERESTS OF TRUE FITNESS TECHNOLOGY, INC.

REV.	MCF#	DESCRIPTION	DATE	BY	APPRVL	TITLE	Drive Motor Mounting Hardware				SCALE
A	-	ORIGINAL RELEASE	-	-	-	BREAK ALL SHARP CORNERS & EDGES UNLESS OTHERWISE SPECIFIED DIMENSIONS ARE IN INCHES TOLERANCES UNLESS NOTED: FRACTIONS ±1/32" DECIMALS: .X ±.031" .XX ±.015" .XXX ±.005" ANGULAR ±1° HOLES ±.005" DO NOT SCALE DRAWING	MODEL:				1:1
							MATERIAL:				
						DRAWN BY DM	DATE 2/28/17	APPR. BY	DATE	FINISH	
						FITNESS TECHNOLOGY, INC. O'FALLON, MO. 63366		DWG. SIZE B	DWG NO. 7TE0105		REV.



ITEM NO.	True Part No	DK Part No	DESCRIPTION	QTY.
1	7TI0093	SOC5-16	Nut 5/16"-18UNC	4
2	7TE0009	P-2612	Plastic-Motor Fixity	4

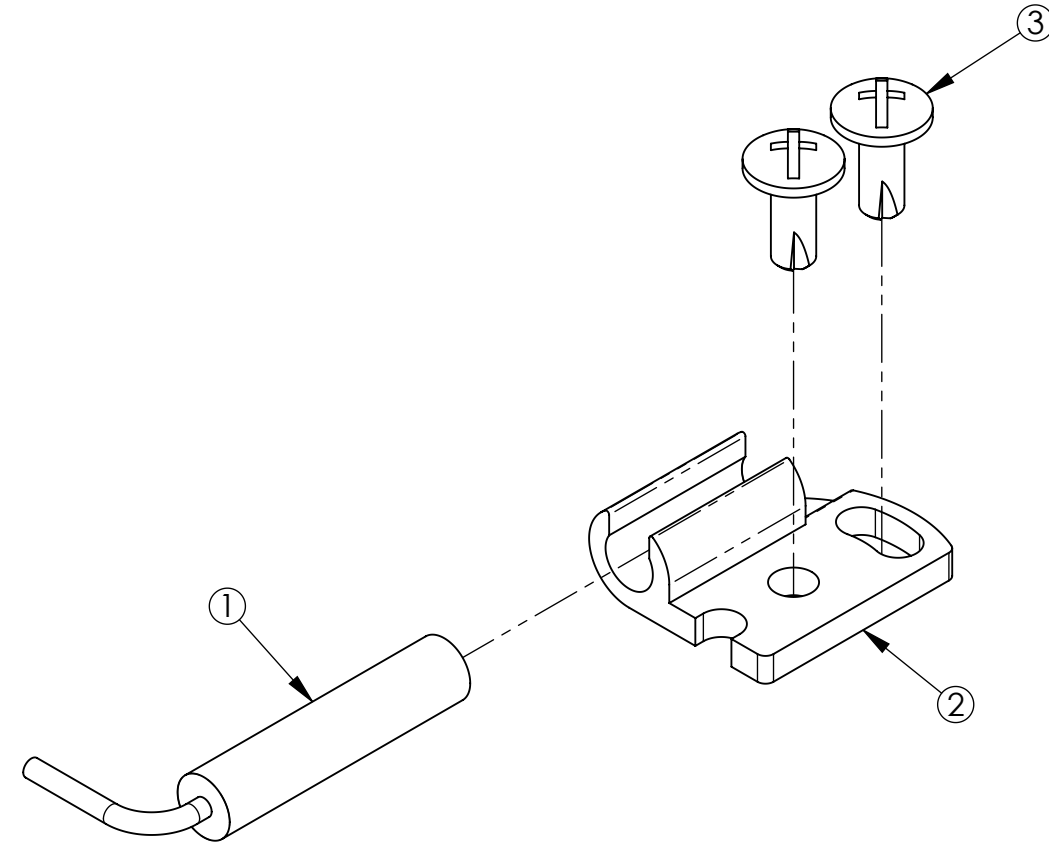


CONFIDENTIAL INFORMATION
 OF TRUE FITNESS TECHNOLOGY, INC. O'FALLON, MO. IT IS LOANED FOR
 CONFIDENTIAL USE. SUBJECT TO RETURN ON REQUEST, AND WITH THE
 MUTUAL UNDERSTANDING THAT IT WILL NOT BE USED IN ANY MANNER
 DETRIMENTAL TO THE INTERESTS OF TRUE FITNESS TECHNOLOGY, INC.

REV.	MCF#	DESCRIPTION	DATE	BY	APPRVL	TITLE	MODEL:	MATERIAL:	DRAWN BY	DATE	APPR. BY	DATE	FINISH	SCALE	REV.
						Drive Motor Locating Hardware			DM	3/1/17				1:1	
A	-	ORIGINAL RELEASE	-	-	-										
						BREAK ALL SHARP CORNERS & EDGES UNLESS OTHERWISE SPECIFIED DIMENSIONS ARE IN INCHES TOLERANCES UNLESS NOTED: FRACTIONS ±1/32" DECIMALS: .X ±.031" .XX ±.015" .XXX ±.005" ANGULAR ±1° HOLES ±.005" DO NOT SCALE DRAWING									
									FITNESS TECHNOLOGY, INC. O'FALLON, MO. 63366			DWG. SIZE B	DWG NO. 7TE0106		

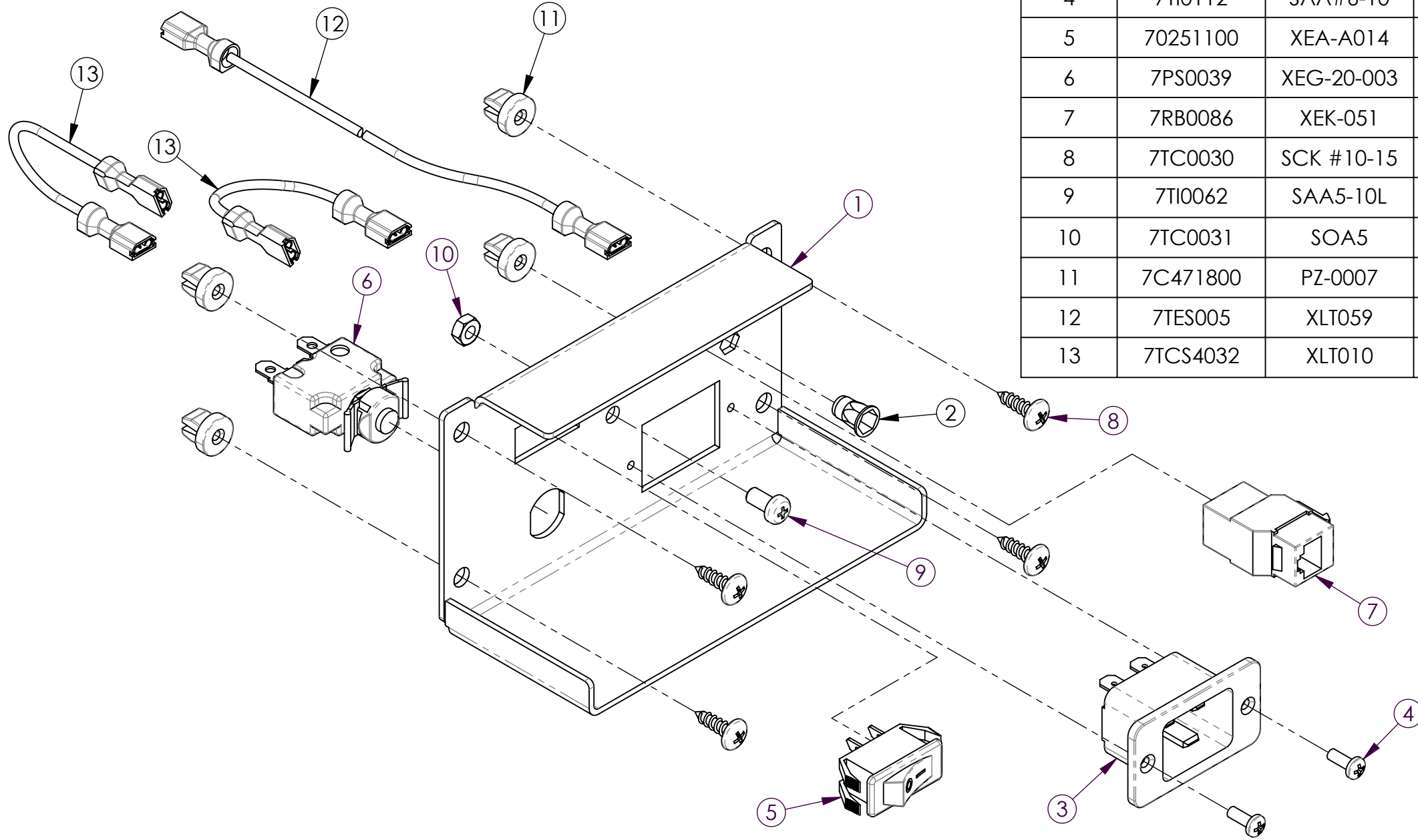


ITEM NO.	True Part No	DK Part No	DESCRIPTION	QTY.
1	-	XEM-008	Speed Sensor	1
2	-	P-2231	Speed Sensor Plate	1
3	-	SCE4-10L	Bolt (Blue Nylok) M4xP0.7x10	2



CONFIDENTIAL INFORMATION
 OF TRUE FITNESS TECHNOLOGY, INC. O'FALLON, MO. IT IS LOANED FOR
 CONFIDENTIAL USE. SUBJECT TO RETURN ON REQUEST, AND WITH THE
 MUTUAL UNDERSTANDING THAT IT WILL NOT BE USED IN ANY MANNER
 DETRIMENTAL TO THE INTERESTS OF TRUE FITNESS TECHNOLOGY, INC.

REV.	MCF#	DESCRIPTION	DATE	BY	APPRVL	TITLE	MODEL:	MATERIAL:	DRAWN BY	DATE	APPR. BY	DATE	FINISH	SCALE	REV.
						Speed Sensor Assembly BREAK ALL SHARP CORNERS & EDGES UNLESS OTHERWISE SPECIFIED DIMENSIONS ARE IN INCHES TOLERANCES UNLESS NOTED: FRACTIONS ±1/32" DECIMALS: .X ±.031" .XX ±.015" .XXX ±.005" ANGULAR ±1° HOLES ±.005" DO NOT SCALE DRAWING			DM	2/22/17				1.5:1	
A	-	ORIGINAL RELEASE	-	-	-										
									DWG. SIZE		DWG NO.				
									B		7TE0107				



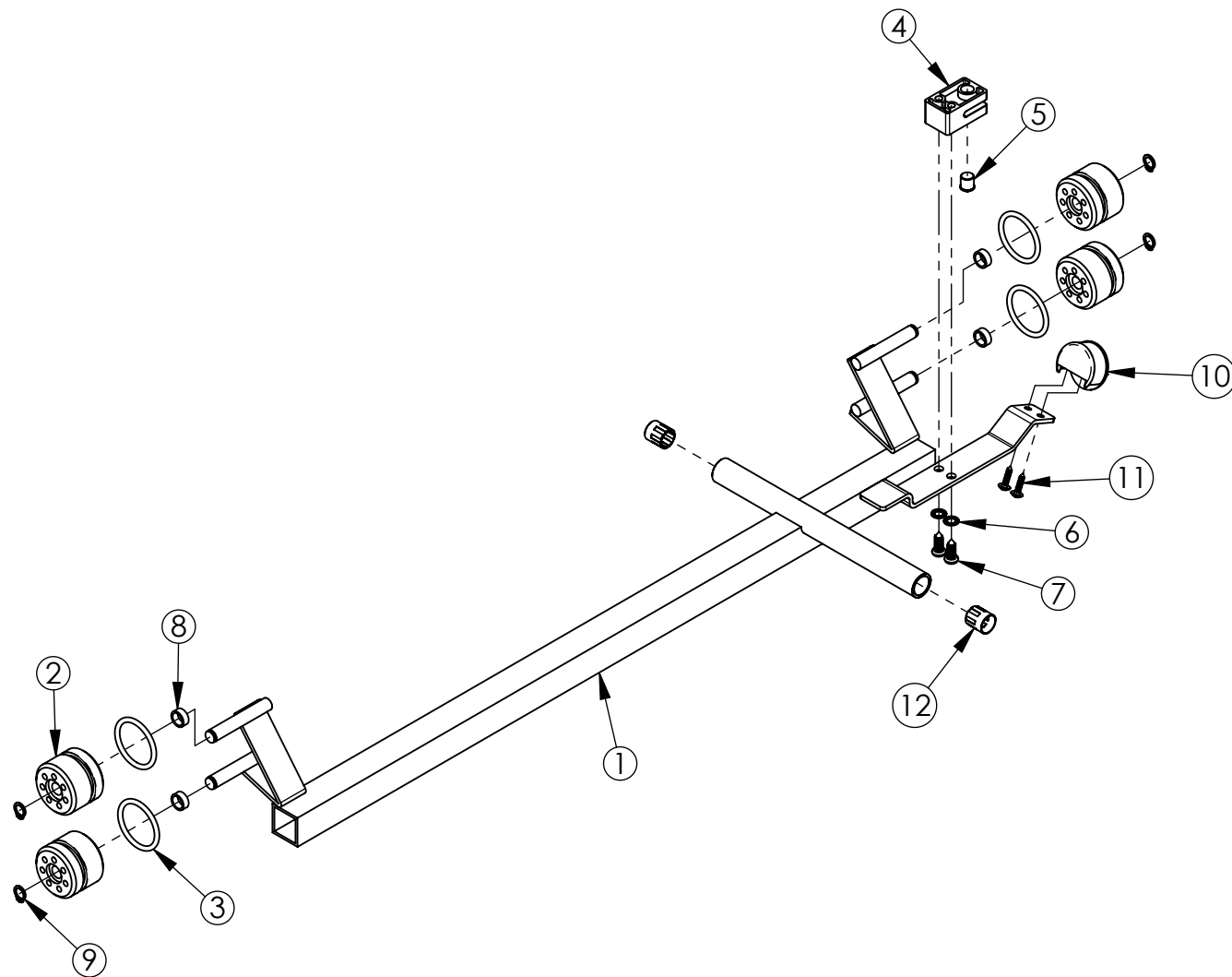
ITEM NO.	True Part No	DK Part No	DESCRIPTION	QTY.
1	-	NO-6939	Power Inlet Skirt	1
2	7TI0088	SOF5A	RIVNUT M5xP0.8	1
3	70319600	XEH-003-004	Power Inlet-110V	1
4	7TI0112	SAA#6-10	Bolt #6-32UNCx10mm	2
5	70251100	XEA-A014	Power Switch	1
6	7PS0039	XEG-20-003	Circuit Breaker	1
7	7RB0086	XEK-051	RJ45 Connector NC-IC2-CE/BK	1
8	7TC0030	SCK #10-15	Bolt #10-15	4
9	7TI0062	SAA5-10L	Bolt (Blue Nylok) #10-32UNFx10mm	1
10	7TC0031	SOA5	Nut M5xP0.8	1
11	7C471800	PZ-0007	Grommet	4
12	7TES005	XLT059	Cable, Power Inlet To Line Filter, Blue	1
13	7TCS4032	XLT010	Cable-AC Jumper, Brown	2

CONFIDENTIAL INFORMATION
 OF TRUE FITNESS TECHNOLOGY, INC. O'FALLON, MO. IT IS LOANED FOR
 CONFIDENTIAL USE. SUBJECT TO RETURN ON REQUEST, AND WITH THE
 MUTUAL UNDERSTANDING THAT IT WILL NOT BE USED IN ANY MANNER
 DETRIMENTAL TO THE INTERESTS OF TRUE FITNESS TECHNOLOGY, INC.

REV.	MCF#	DESCRIPTION	DATE	BY	APPRVL	TITLE					
A	-	ORIGINAL RELEASE	-	-	-	Power Panel Assembly BREAK ALL SHARP CORNERS & EDGES UNLESS OTHERWISE SPECIFIED DIMENSIONS ARE IN INCHES TOLERANCES UNLESS NOTED: FRACTIONS ±1/32" DECIMALS: .X ±.031" .XX ±.015" .XXX ±.005" ANGULAR ±1° HOLES ±.005" DO NOT SCALE DRAWING					
						MODEL:			FINISH		SCALE
						MATERIAL:			DATE		REV.
						DRAWN BY	DATE	APPR. BY	DATE	FINISH	SCALE
						DM	3/1/17				2:3
						 FITNESS TECHNOLOGY, INC. O'FALLON, MO. 63366			DWG. SIZE	DWG NO.	REV.
									B	7TE0108	

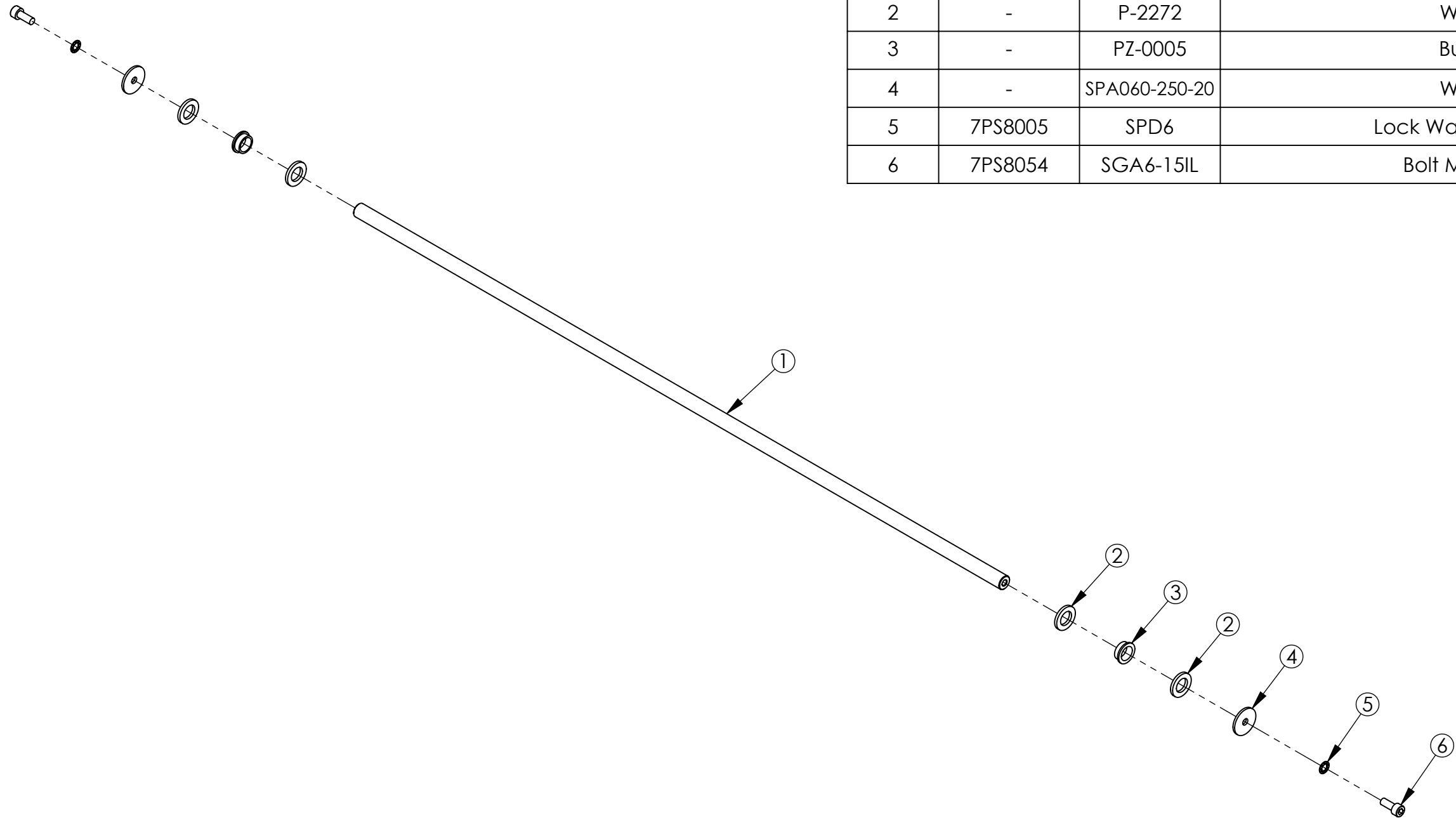


ITEM NO.	True Part No	DK Part No	DESCRIPTION	QTY.
1	-	JTAZ004A	Soft Select Weldment	1
2	7PS8086	P-2546	Soft Select Wheel	4
3	7PS8087	PO-337-35	Soft Select Wheel O-Ring	4
4	-	P-2572	Soft Select Guide	1
5	-	SK-499	Fixity Bushing	1
6	7PS8005	SPD6	Lock Washer M6x0.7t	2
7	7PS8006	SAI6-15	Bolt 6x15	2
8	-	T4B043E0005	Soft Select Wheel Spacer	4
9	-	SRA9	Soft Select Wheel Retaining Ring	4
10	7TE0010	P-2573	Hand Knob	1
11	7FE0120	SCI4-16	Bolt 4x16	2
12	-	PZ-0002	Soft Select Bushing	2



CONFIDENTIAL INFORMATION
 OF TRUE FITNESS TECHNOLOGY, INC. O'FALLON, MO. IT IS LOANED FOR
 CONFIDENTIAL USE. SUBJECT TO RETURN ON REQUEST, AND WITH THE
 MUTUAL UNDERSTANDING THAT IT WILL NOT BE USED IN ANY MANNER
 DETRIMENTAL TO THE INTERESTS OF TRUE FITNESS TECHNOLOGY, INC.

REV.	MCF#	DESCRIPTION	DATE	BY	APPRVL	TITLE	MODEL:	MATERIAL:	DRAWN BY	DATE	APPR. BY	DATE	FINISH	SCALE	REV.
A	-	ORIGINAL RELEASE	-	-	-	Soft Select Assembly			DM	2/22/17				1:5	
						BREAK ALL SHARP CORNERS & EDGES UNLESS OTHERWISE SPECIFIED DIMENSIONS ARE IN INCHES TOLERANCES UNLESS NOTED: FRACTIONS ±1/32" DECIMALS: .X ±.031" .XX ±.015" .XXX ±.005" ANGULAR ±1° HOLES ±.005" DO NOT SCALE DRAWING					DWG. SIZE	DWG NO.			
									B				7TE0109		



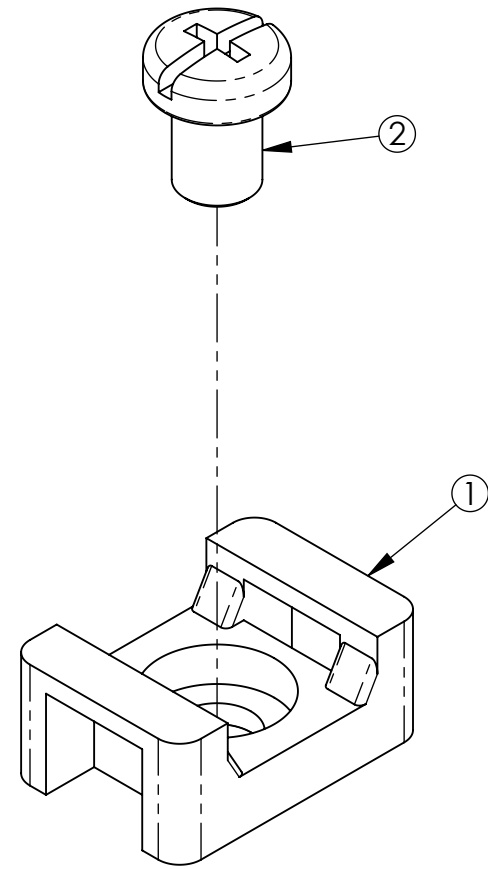
ITEM NO.	True Part No	DK Part No	DESCRIPTION	QTY.
1	-	NT-2071	Soft Select Guide Rod	1
2	-	P-2272	Washer	4
3	-	PZ-0005	Bushing	2
4	-	SPA060-250-20	Washer	2
5	7PS8005	SPD6	Lock Washer M6x0.7t	2
6	7PS8054	SGA6-15IL	Bolt M6xP1x20L	2

REV.	MCF#	DESCRIPTION	DATE	BY	APPRVL	TITLE	MODEL:	DATE	APPR. BY	DATE	FINISH	SCALE
A	-	ORIGINAL RELEASE	-	-	-	Soft Select Guide Rod Assembly						1:4
						BREAK ALL SHARP CORNERS & EDGES UNLESS OTHERWISE SPECIFIED DIMENSIONS ARE IN INCHES TOLERANCES UNLESS NOTED: FRACTIONS ±1/32" DECIMALS: .X ±.031" .XX ±.015" .XXX ±.005" ANGULAR ±1° HOLES ±.005" DO NOT SCALE DRAWING						
							DRAWN BY: DM DATE: 2/22/17 APPR. BY: DATE: FINISH: SCALE: 1:4					
							FITNESS TECHNOLOGY, INC. O'FALLON, MO. 63366	DWG. SIZE: B	DWG NO.: 7TE0110			

CONFIDENTIAL INFORMATION OF TRUE FITNESS TECHNOLOGY, INC. O'FALLON, MO. IT IS LOANED FOR CONFIDENTIAL USE. SUBJECT TO RETURN ON REQUEST, AND WITH THE MUTUAL UNDERSTANDING THAT IT WILL NOT BE USED IN ANY MANNER DETRIMENTAL TO THE INTERESTS OF TRUE FITNESS TECHNOLOGY, INC.



ITEM NO.	True Part No	DK Part No	DESCRIPTION	QTY.
1	7TPS8155	PEC-HC-2	KSS Tie Mount	1
2	7TE0011	SAA6-8	Bolt M6xP1.0x8	1

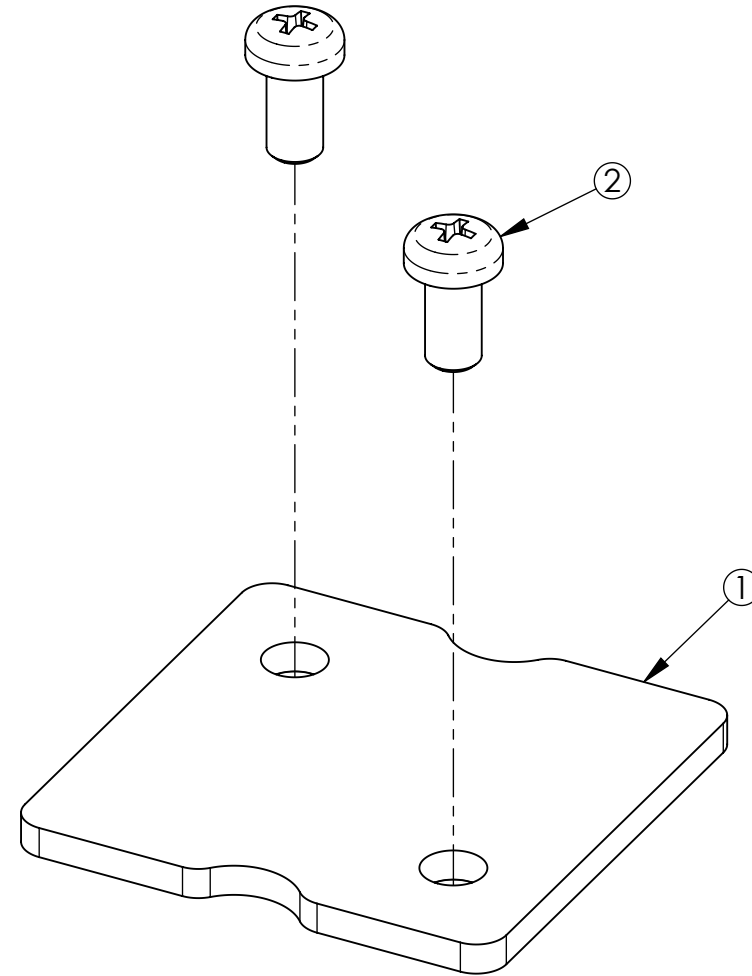


CONFIDENTIAL INFORMATION
 OF TRUE FITNESS TECHNOLOGY, INC. O'FALLON, MO. IT IS LOANED FOR
 CONFIDENTIAL USE. SUBJECT TO RETURN ON REQUEST, AND WITH THE
 MUTUAL UNDERSTANDING THAT IT WILL NOT BE USED IN ANY MANNER
 DETRIMENTAL TO THE INTERESTS OF TRUE FITNESS TECHNOLOGY, INC.

REV.	MCF#	DESCRIPTION	DATE	BY	APPRVL	TITLE					SCALE	REV.
A	-	ORIGINAL RELEASE	-	-	-	BREAK ALL SHARP CORNERS & EDGES UNLESS OTHERWISE SPECIFIED DIMENSIONS ARE IN INCHES TOLERANCES UNLESS NOTED: FRACTIONS ±1/32" DECIMALS: .X ±.031" .XX ±.015" .XXX ±.005" ANGULAR ±1° HOLES ±.005" DO NOT SCALE DRAWING	MODEL:				2:1	
							MATERIAL:					
						DRAWN BY DM	DATE 2/28/17	APPR. BY	DATE	FINISH		
								DWG. SIZE B	DWG NO. 7TE0111			



ITEM NO.	True Part No	DK Part No	DESCRIPTION	QTY.
1	7TE0013	NO-6996	Shim-Rear Roller Cover	1
2	7TI0011	SAA5-10	Bolt M5xP0.8x10	2

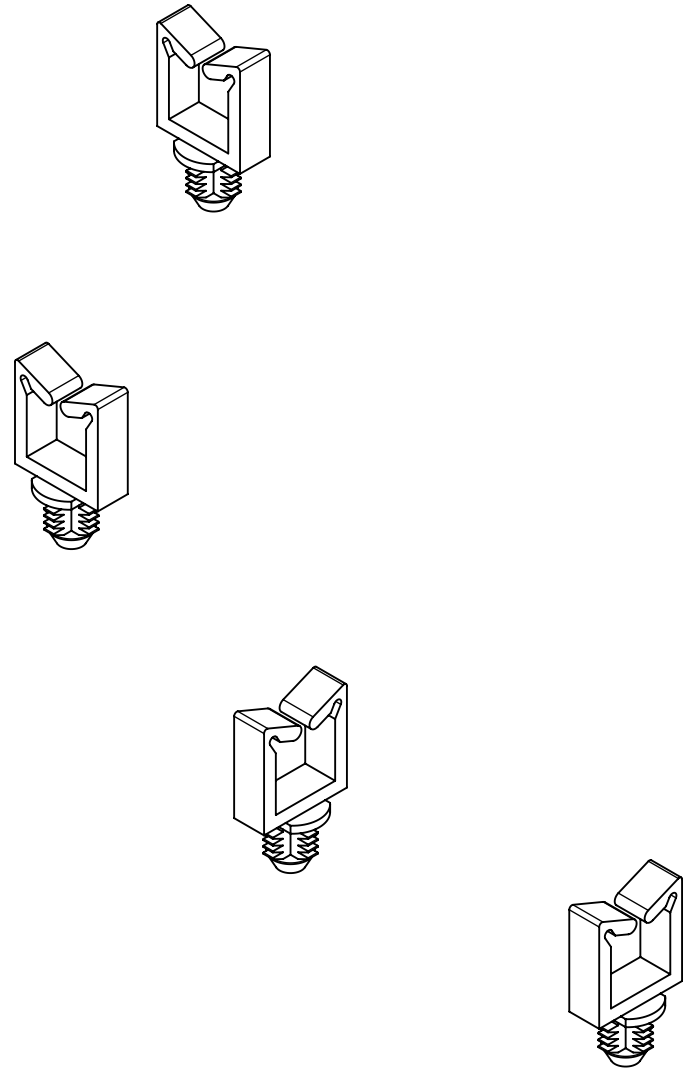


CONFIDENTIAL INFORMATION
 OF TRUE FITNESS TECHNOLOGY, INC. O'FALLON, MO. IT IS LOANED FOR
 CONFIDENTIAL USE. SUBJECT TO RETURN ON REQUEST, AND WITH THE
 MUTUAL UNDERSTANDING THAT IT WILL NOT BE USED IN ANY MANNER
 DETRIMENTAL TO THE INTERESTS OF TRUE FITNESS TECHNOLOGY, INC.

REV.	MCF#	DESCRIPTION	DATE	BY	APPRVL	TITLE	MODEL:	MATERIAL:	DRAWN BY	DATE	APPR. BY	DATE	FINISH	SCALE
A	-	ORIGINAL RELEASE	-	-	-	Shim Assembly BREAK ALL SHARP CORNERS & EDGES UNLESS OTHERWISE SPECIFIED DIMENSIONS ARE IN INCHES TOLERANCES UNLESS NOTED: FRACTIONS ±1/32" DECIMALS: .X ±.031" .XX ±.015" .XXX ±.005" ANGULAR ±1° HOLES ±.005" DO NOT SCALE DRAWING			DM	3/1/17				1.5:1
								DWG. SIZE B	DWG NO. 7TE0112					



ITEM NO.	True Part No	DK Part No	DESCRIPTION	Set of (4)/QTY.
1	7TE0012	PEC-BWS-1112	Wire Clip BWS-1112	4

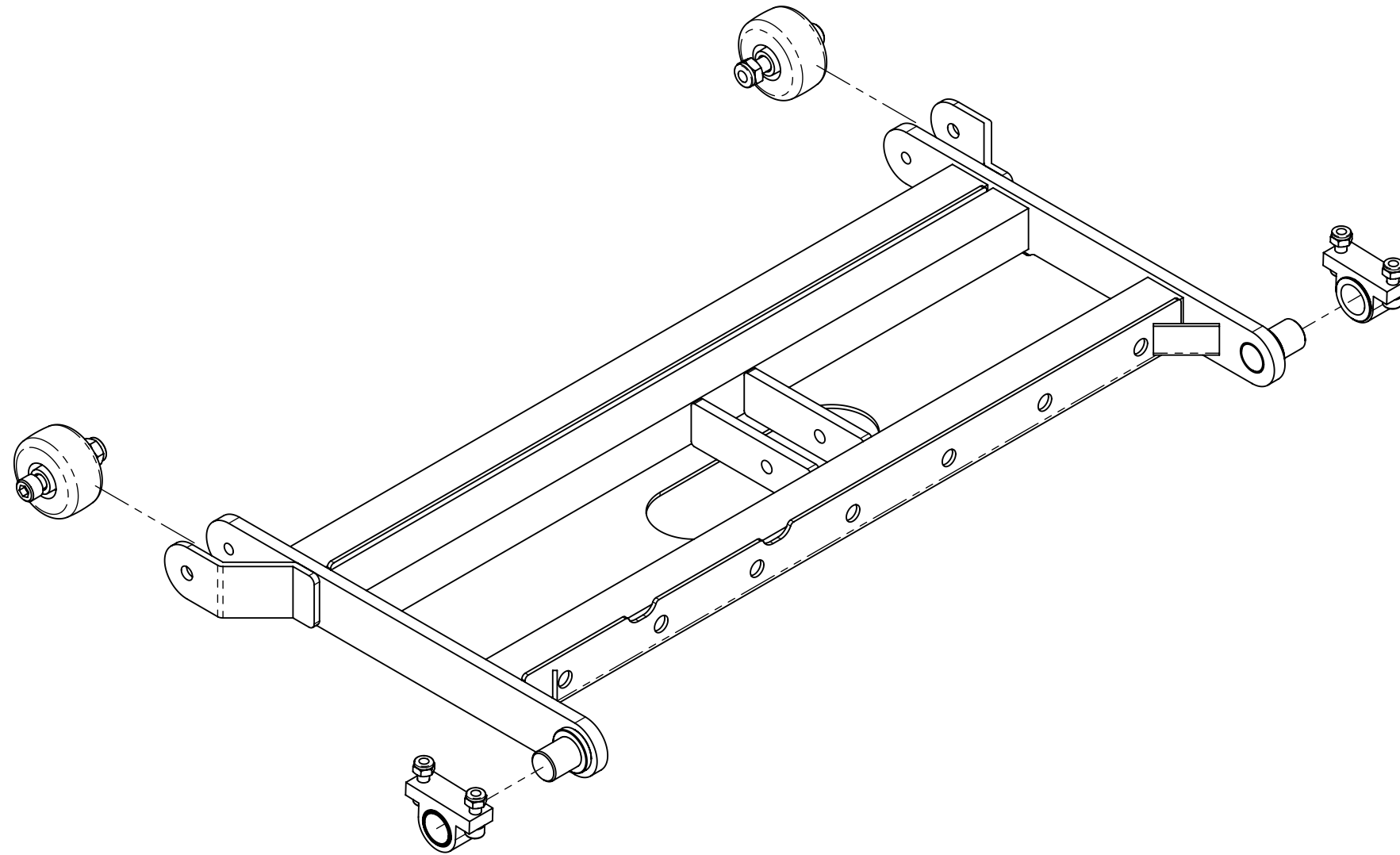


CONFIDENTIAL INFORMATION
 OF TRUE FITNESS TECHNOLOGY, INC. O'FALLON, MO. IT IS LOANED FOR
 CONFIDENTIAL USE. SUBJECT TO RETURN ON REQUEST, AND WITH THE
 MUTUAL UNDERSTANDING THAT IT WILL NOT BE USED IN ANY MANNER
 DETRIMENTAL TO THE INTERESTS OF TRUE FITNESS TECHNOLOGY, INC.

REV.	MCF#	DESCRIPTION	DATE	BY	APPRVL	TITLE	MODEL:	MATERIAL:	DRAWN BY	DATE	APPR. BY	DATE	FINISH	SCALE
A	-	ORIGINAL RELEASE	-	-	-	Wire Clip Set (4)			DM	3/1/17				1:1
						BREAK ALL SHARP CORNERS & EDGES UNLESS OTHERWISE SPECIFIED DIMENSIONS ARE IN INCHES TOLERANCES UNLESS NOTED: FRACTIONS ±1/32" DECIMALS: .X ±.031" .XX ±.015" .XXX ±.005" ANGULAR ±1° HOLES ±.005" DO NOT SCALE DRAWING					DWG. SIZE	DWG NO.	REV.	
													B	7TE0113



ITEM NO.	True Part No	DK Part No	DESCRIPTION	QTY.
1	7TE0020	JTBC028	Incline Rack Weldment	1
2	7TC0414	-	Incline Bearing Block Assembly	2
3	7TC0415	-	Incline Wheel Assembly	2

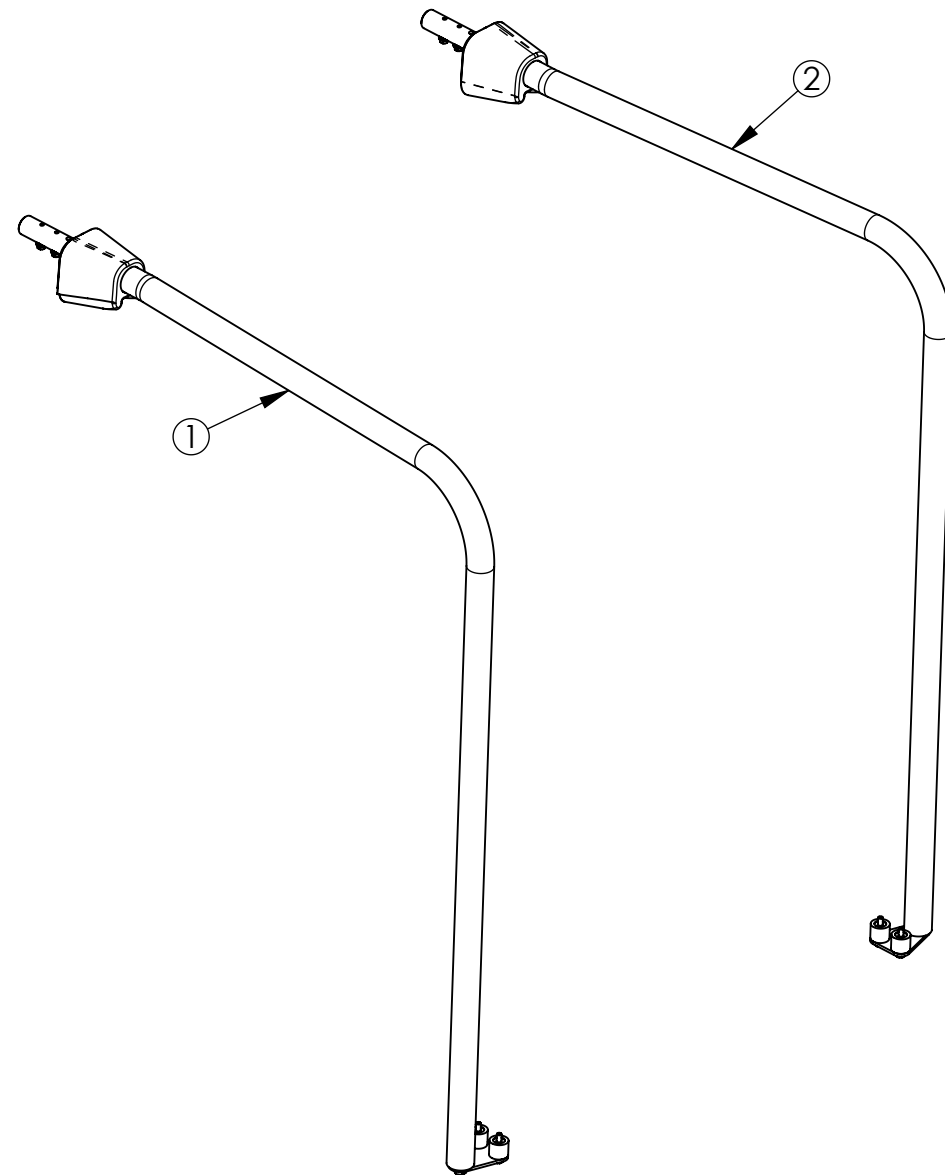



CONFIDENTIAL INFORMATION
 OF TRUE FITNESS TECHNOLOGY, INC. O'FALLON, MO. IT IS LOANED FOR
 CONFIDENTIAL USE. SUBJECT TO RETURN ON REQUEST, AND WITH THE
 MUTUAL UNDERSTANDING THAT IT WILL NOT BE USED IN ANY MANNER
 DETRIMENTAL TO THE INTERESTS OF TRUE FITNESS TECHNOLOGY, INC.

REV.	MCF#	DESCRIPTION	DATE	BY	APPRVL	TITLE	MODEL:	DATE	APPR. BY	DATE	FINISH	SCALE
A	-	ORIGINAL RELEASE	-	-	-	Incline Rack Assembly BREAK ALL SHARP CORNERS & EDGES UNLESS OTHERWISE SPECIFIED DIMENSIONS ARE IN INCHES TOLERANCES UNLESS NOTED: FRACTIONS ±1/32" DECIMALS: .X ±.031" .XX ±.015" .XXX ±.005" ANGULAR ±1° HOLES ±.005" DO NOT SCALE DRAWING	MATERIAL:					
							DM	4/25/17				
									B	DWG. NO. 7TE0114 DWG. SIZE		



ITEM NO.	True Part No	DK Part No	DESCRIPTION	QTY.
1	00603300L	-	Rehab Rail Assembly-LH	1
2	00603300R	-	Rehab Rail Assembly-RH	1

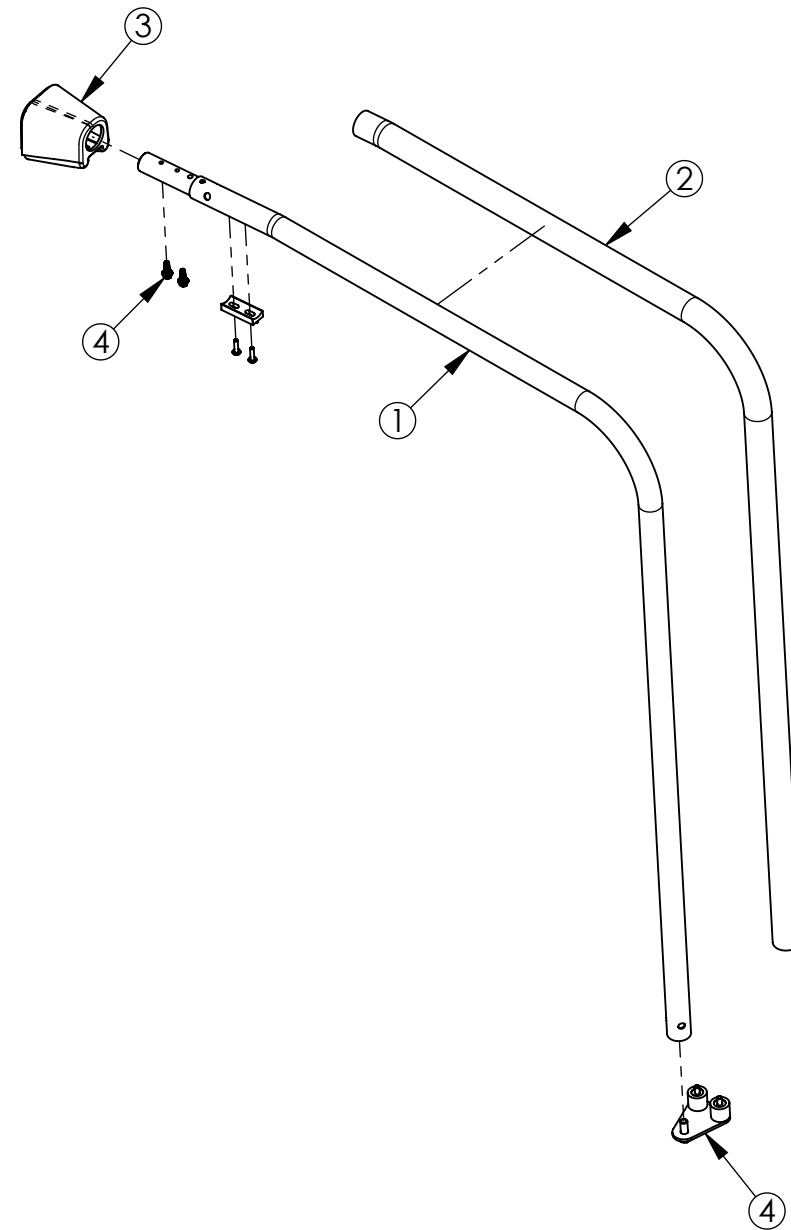


REV.	MCF#	DESCRIPTION	DATE	BY	APPRVL	TITLE	MODEL:	DATE	APPR. BY	DATE	FINISH	SCALE
A	-	ORIGINAL RELEASE	-	-	-	Rehab Rail Assembly BREAK ALL SHARP CORNERS & EDGES UNLESS OTHERWISE SPECIFIED DIMENSIONS ARE IN INCHES TOLERANCES UNLESS NOTED: FRACTIONS ±1/32" DECIMALS: .X ±.031" .XX ±.015" .XXX ±.005" ANGULAR ±1° HOLES ±.005" DO NOT SCALE DRAWING	MATERIAL:	1/20/17				1:10
							 TRUE FITNESS TECHNOLOGY, INC. O'FALLON, MO. 63366	DWG. SIZE B	DWG NO. 70603300			

CONFIDENTIAL INFORMATION
 OF TRUE FITNESS TECHNOLOGY, INC. O'FALLON, MO. IT IS LOANED FOR
 CONFIDENTIAL USE. SUBJECT TO RETURN ON REQUEST, AND WITH THE
 MUTUAL UNDERSTANDING THAT IT WILL NOT BE USED IN ANY MANNER
 DETRIMENTAL TO THE INTERESTS OF TRUE FITNESS TECHNOLOGY, INC.

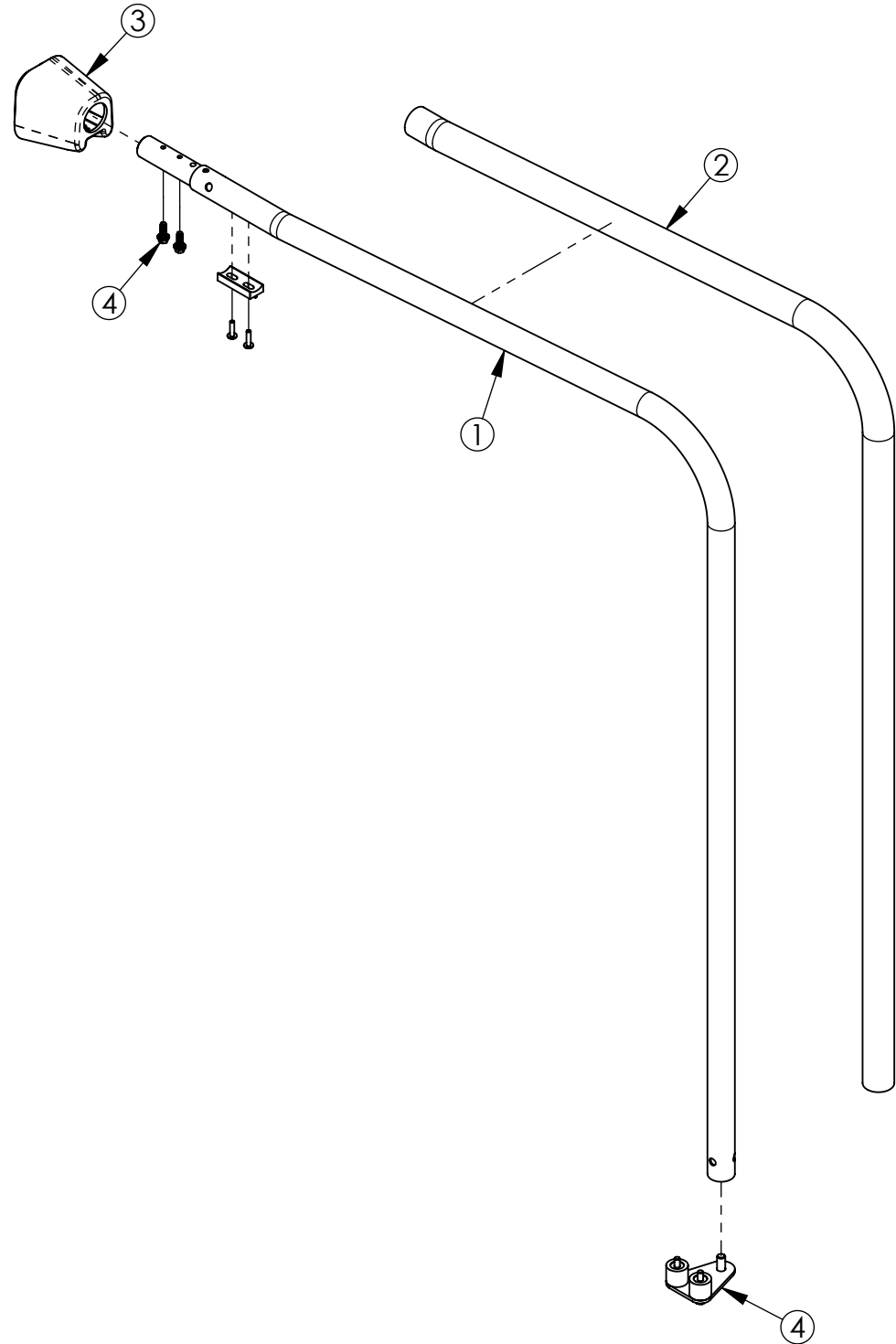


ITEM NO.	True Part No	DK Part No	DESCRIPTION	QTY.
1	-	JTDA056L	Rehab Rail Weldment-LH	1
2	-	P-3175B	Rehab Rail Rubber Cover	1
3	7TC0010L	P-4581L	Transition Trim-LH	1
4	7TC0440	-	Rehab Rail Mounting Hardware	1



CONFIDENTIAL INFORMATION
 OF TRUE FITNESS TECHNOLOGY, INC. O'FALLON, MO. IT IS LOANED FOR
 CONFIDENTIAL USE. SUBJECT TO RETURN ON REQUEST, AND WITH THE
 MUTUAL UNDERSTANDING THAT IT WILL NOT BE USED IN ANY MANNER
 DETRIMENTAL TO THE INTERESTS OF TRUE FITNESS TECHNOLOGY, INC.

REV.	MCF#	DESCRIPTION	DATE	BY	APPRVL	TITLE	MODEL:	MATERIAL:	DRAWN BY	DATE	APPR. BY	DATE	FINISH	SCALE
A	-	ORIGINAL RELEASE	-	-	-	Rehab Rail Assembly-LH			DM	11/7/16				1:10
						BREAK ALL SHARP CORNERS & EDGES UNLESS OTHERWISE SPECIFIED DIMENSIONS ARE IN INCHES TOLERANCES UNLESS NOTED: FRACTIONS ±1/32" DECIMALS: .X ±.031" .XX ±.015" .XXX ±.005" ANGULAR ±1° HOLES ±.005" DO NOT SCALE DRAWING			DWG. SIZE B	DWG NO. 00603300L		REV.		



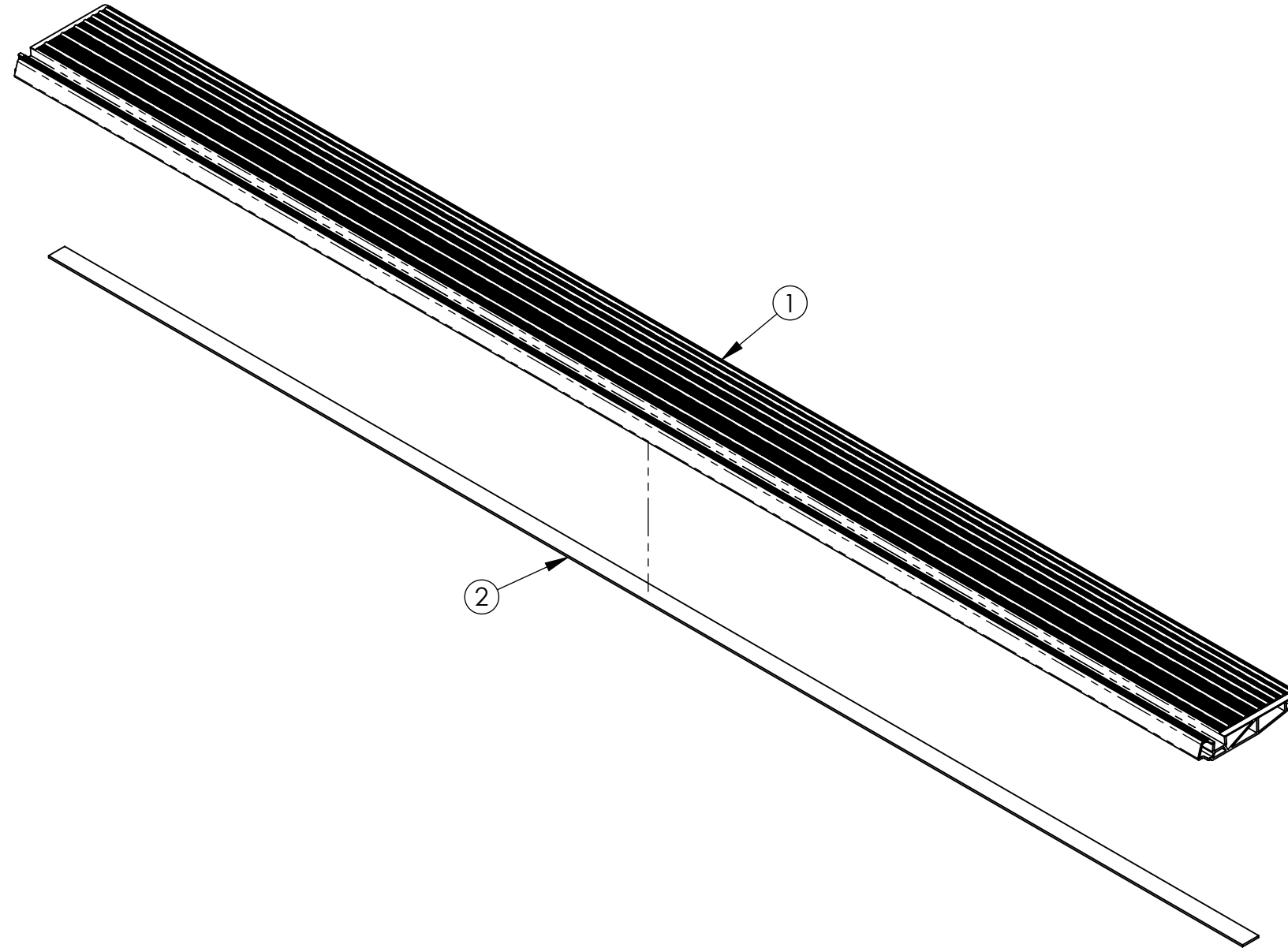
ITEM NO.	True Part No	DK Part No	DESCRIPTION	QTY.
1	-	JTDA056R	Rehab Rail Weldment-RH	1
2	-	P-3175B	Rehab Rail Rubber Cover	1
3	7TC0010R	P-4581R	Transition Trim-RH	1
4	7TC0440	-	Rehab Rail Mounting Hardware	1

REV.	MCF#	DESCRIPTION	DATE	BY	APPRVL	TITLE	MODEL:	MATERIAL:	DRAWN BY	DATE	APPR. BY	DATE	FINISH	SCALE	REV.
						Rehab Rail Assembly-RH			DM	11/7/16				1:8	
A	-	ORIGINAL RELEASE	-	-	-										
						BREAK ALL SHARP CORNERS & EDGES UNLESS OTHERWISE SPECIFIED DIMENSIONS ARE IN INCHES TOLERANCES UNLESS NOTED: FRACTIONS ±1/32" DECIMALS: .X ±.031" .XX ±.015" .XXX ±.005" ANGULAR ±1° HOLES ±.005" DO NOT SCALE DRAWING									
							TRUE FITNESS TECHNOLOGY, INC. O'FALLON, MO. 63366	DWG. SIZE B					DWG NO. 00603300R		

CONFIDENTIAL INFORMATION OF TRUE FITNESS TECHNOLOGY, INC. O'FALLON, MO. IT IS LOANED FOR CONFIDENTIAL USE. SUBJECT TO RETURN ON REQUEST, AND WITH THE MUTUAL UNDERSTANDING THAT IT WILL NOT BE USED IN ANY MANNER DETRIMENTAL TO THE INTERESTS OF TRUE FITNESS TECHNOLOGY, INC.



ITEM NO.	True Part No	DK Part No	DESCRIPTION	QTY.
1	-	AAL611E1416-001	Straddle Cover - 55.75"	1
2	-	BAA14160-191-20	Foam Tape 1416mmx19.1mmx2.0t	1



CONFIDENTIAL INFORMATION
 OF TRUE FITNESS TECHNOLOGY, INC. O'FALLON, MO. IT IS LOANED FOR
 CONFIDENTIAL USE. SUBJECT TO RETURN ON REQUEST, AND WITH THE
 MUTUAL UNDERSTANDING THAT IT WILL NOT BE USED IN ANY MANNER
 DETRIMENTAL TO THE INTERESTS OF TRUE FITNESS TECHNOLOGY, INC.

REV.	MCF#	DESCRIPTION	DATE	BY	APPRVL	TITLE	MODEL:	DATE	APPR. BY	DATE	FINISH	SCALE	REV.
						Straddle Cover with Tape - 55.75"							
						BREAK ALL SHARP CORNERS & EDGES							
						UNLESS OTHERWISE SPECIFIED DIMENSIONS ARE IN INCHES							
						TOLERANCES UNLESS NOTED: FRACTIONS ±1/32" DECIMALS: .X ±.031" .XX ±.015" .XXX ±.005" ANGULAR ±1° HOLES ±.005"							
A	-	ORIGINAL RELEASE	-	-	-	DO NOT SCALE DRAWING	DM	3/14/17				1:5	
							TRUE FITNESS TECHNOLOGY, INC. O'FALLON, MO. 63366						
							DWG. SIZE B				DWG NO. 7TC0078		