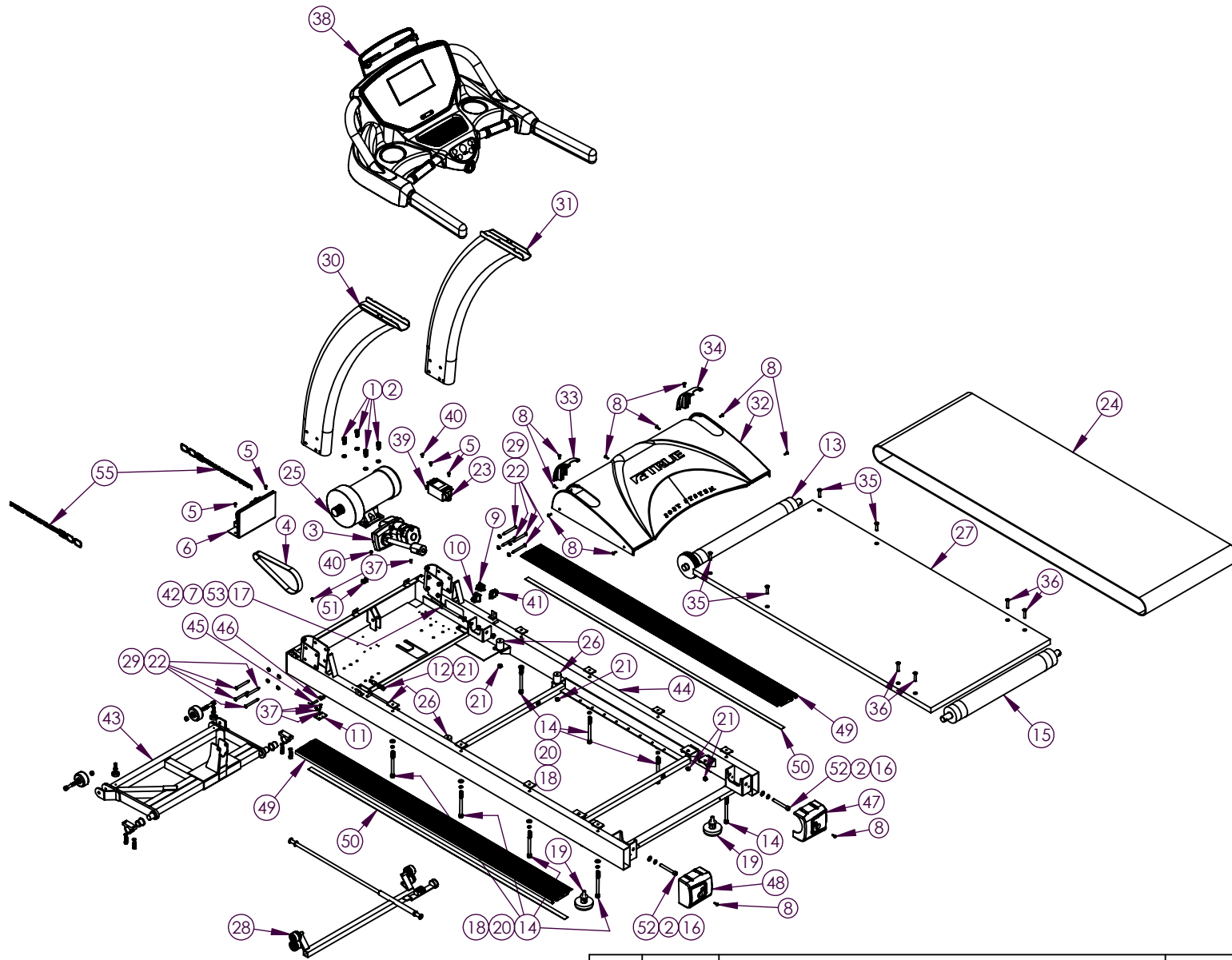


TPS800-19

ITEM NO.	TRUE PART #	GRI Part #	DESCRIPTION	QTY.	ITEM NO.	TRUE PART #	GRI Part #	DESCRIPTION	QTY.
46	7TPS8150		SPEED SENSOR MOUNT	1	1	7PS0023		BOLT, M10 X P1.5 X 25 SGA 10-251	4
47	7TPS8151		REAR ROLLER COVER R	1	2	7PS0024		WASHER, SPRING M10 SPB10	6
48	7TPS8152		REAR ROLLER COVER L	1	3	7PS0026A		MOTOR, INCLINE XM-197A-1	1
49	7TPS8153		ALUMINUM STRADDLE COVER WITH 30MM TAPE	2	4	7PS0029		BELT, DRIVE CA-240J10	1
50	7TPS8154		STRADDLE COVER TAPE	2	5	7PS0031		BOLT, M5 X P0.8 X 12 SCE5-12	4
51	7TPS8155		MOTOR PAN TIE MOUNT	1	6	7PS0032		CONTROLLER 11090 (METIT) 1AMP	1
52	7TPS8156		BOLT	2	7	7PS0033		NUT M10 X P1.5 SOA10	1
53	7TPS8157		WASHER	1	8	7PS0035		BOLT M5 X P0.8 X 15 SCA5-15	11
54	7TPS8158		CABLE CLAMP	1	9	7PS0037		POWER INLET XEH-002-001	1
55	TPS8194		TPS800-18 PERFORMANCE 800 DECAL - BLACK	2	10	7PS0038		SWITCH, POWER XEA-A001	1



11	7PS0042		PLATE SENSOR FIXITY NO.2399 NO-2339	1
12	7PS0044		BOLT M8 X P1.25 X 75 SGA8-75	1
13	7PS0048		FRONT ROLLER NRL-005B	1
14	7PS0053		7PS0053	8
15	7PS0056		ROLLER, REAR NRL-005A	1
16	7PS0057		WASHER 10IDX20ODX2.0T SPA100-200-20	2
17	7PS0074		BOLT M10 X P1.5 X 100 SGA10-1001	1
18	7PS0084		WASHER, 8X20X2T	8
19	7PS0097		ADJUSTABLE FOOT - PS TREADMILLS - PN-001-12	2
20	7PS0099		WASHER, SPRING M8 SPB8	8
21	7PS0101		NUT M8 X P1.23 SOC8	9
22	7PS0103		BOLT K-298A SK298A	8
23	7PS0104		FILTER XEB-011C	1
24	7PS0351L		BELT, RUNNING ORTHO WITH LUBRICATION	1
25	7PS8022		DRIVE MOTOR, PS800/900 XM-212	1
26	7PS8047		DECK BUMPER LONG P-1301F	4
27	7PS8049		DECK, RUNNING, PS800 MB-033	1
28	7PS8065		CARRIAGE, PS800 SOFT SELECT PS-0022	1
29	7RT0011		WASHER - SPD8	8
30	7RT0014		PEDESTAL - LT - JTCA055	1
31	7RT0015		PEDESTAL - RT - JTCB049	1
32	7RT0020BK		MOTOR COVER - P2720-ABS	1
33	7RT0139		MOTOR COVER CAP - LT - P2721L	1
34	7RT0140		MOTOR COVER CAP - RT - P-2721R	1
35	7TI0028		COUNTERSUNK HEX M8xP1.25x35	4
36	7TI0029		COUNTERSUNK HEX M8xP1.25x40	4
37	7TI0076		TRUSS PHILLIPS BOLT M4XP0.7X12	5
38	7TPS8102B		PS800 CONSOLE W/O BOARD AND SCREEN BLACK OVERL	1
39	7TPS8140		BOLT	1
40	7TPS8141		BOLT	2
41	7TPS8142		CIRCUIT BREAKER	1
42	7TPS8143		NUT	1
43	7TPS8146		INCLINE RACK ASSEMBLY	1
44	7TPS8148		LOWER FRAME ASSEMBLY	1
45	7TPS8149		SPEED SENSOR	1

NOTE: ALL WEIGHTS AND DIMENSIONS ARE FOR REFERENCE ONLY

CONFIDENTIAL INFORMATION OF TRUE FITNESS TECHNOLOGY, INC. O'FALLON, MO. IT IS LOANED FOR CONFIDENTIAL USE. SUBJECT TO RETURN ON REQUEST, AND WITH THE MUTUAL UNDERSTANDING THAT IT WILL NOT BE USED IN ANY MANNER DETRIMENTAL TO THE INTERESTS OF TRUE FITNESS TECHNOLOGY, INC.

REV.	MCF#	DESCRIPTION	DATE	BY	APPRVL
A	-	ORIGINAL RELEASE	-	-	-

TITLE					
TPS800-19					
BREAK ALL SHARP CORNERS & EDGES			MATERIAL: Material <not specified>		
UNLESS OTHERWISE SPECIFIED DIMENSIONS ARE IN MILLIMETERS			VENDOR # DK CITY: REXON: MCMASTERCARR:		
TOLERANCES UNLESS NOTED:			SRS: VANTLEY: KENNY JOYCE:		
DECIMALS:			DRAWN BY DATE WEIGHT (KG)		
.X ±.787mm			DMB		
.XX ±.381mm					
.XXX ±.127mm					
ANGULAR ±1°					
HOLES ±.127mm					
DO NOT SCALE DRAWING					
DWG. SIZE		TRUE PART #:		REV.	
A		TPS800-19		0	