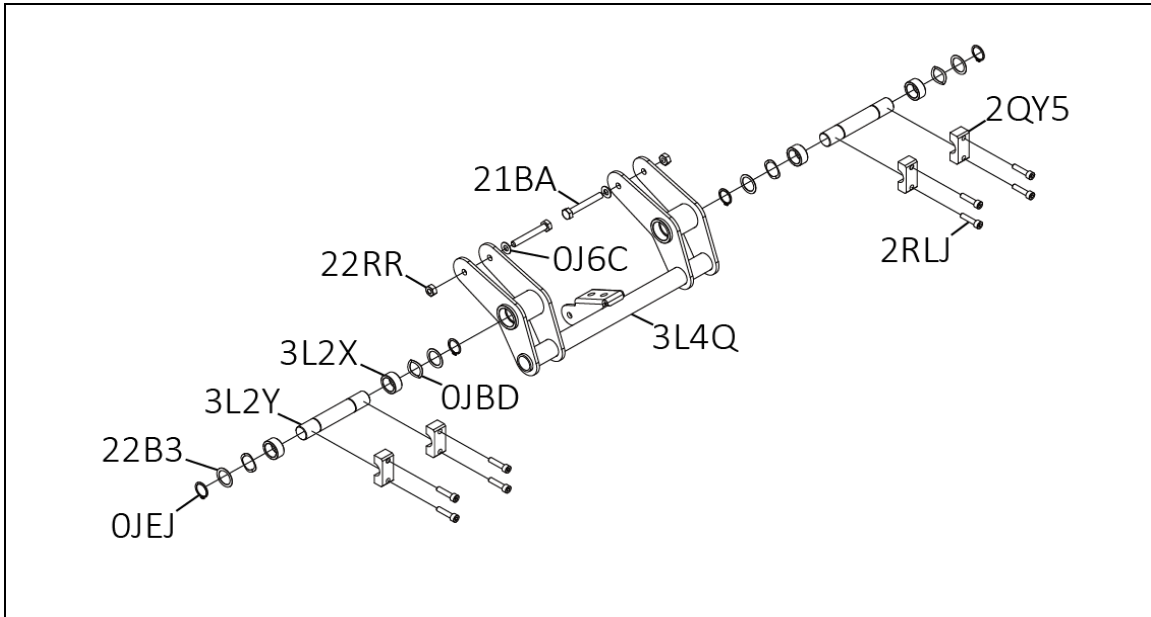




TRUE FITNESS®

TRUE PART No: 7TS1085 Stride Pivot Bracket Assembly



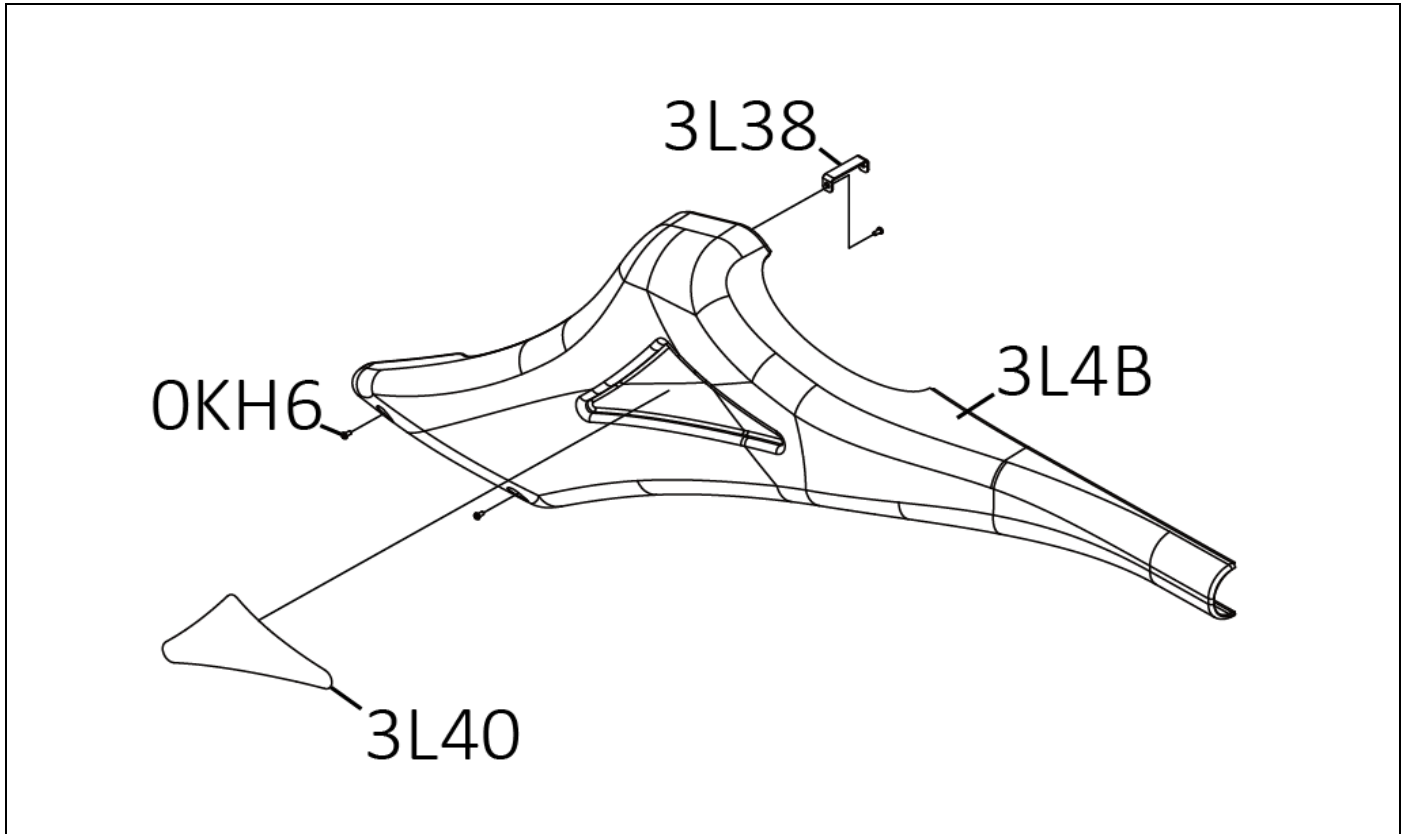
Bill of Material:

Key No:	Vendor Part No.	TRUE Part Number (if applicable)	Description:	Units:	Quantity:
3L4Q	10K43L4Q		Stride Pivot Bracket		1
0JEJ	2570BBN125		C-Ring A-25		4
0JBD	2506MBN695		Wave Washer		4
3L2X	10K43L2X		Bushing		4
3L2Y	10K43L2Y		Center Shaft		2
22B3	110822B3		Washer $\Phi 26 \times 35 - 0.8$		4
22RR	270122RR		Hex. Nut M10*1.5 T=8		2
21BA	260121BA		Hex. Hd. Bolt M10*1.5-81.5		2
2QY5	10F12QY5		Handlebar Clamp		4
2RLJ	26022RLJ		Hex. Soc. Hd. Cap Bolt M8*1.25-35		8
0J6C	2501MZDN11		Washer		2



TRUE FITNESS[®]

TRUE PART No: 7TS1084 Right Outer Middle Shroud Assembly



Bill of Material:

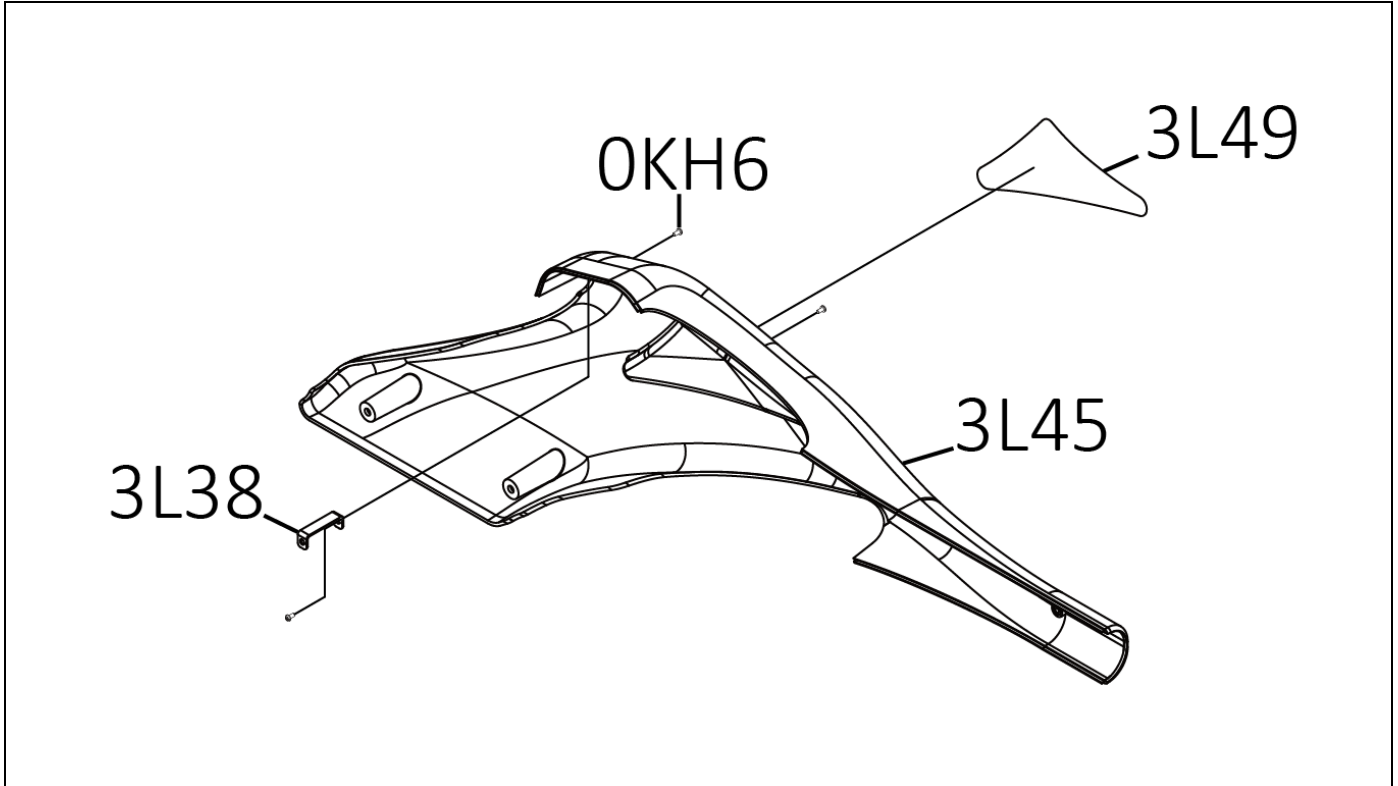
Key No:	Vendor Part No.	TRUE Part Number (if applicable)	Description:	Units:	Quantity:
3L4B	10K43L4B	-	Right Outer Middle Shroud		1
3L38	10K43L38	-	Link Plate		1
OKH6	2669BNFA24	-	Cr. Re. Pan Hd. Screw M5*0.8-12		3
3L40	10K43L40	-	Sticker		1



TRUE FITNESS®

TRUE PART No: 7TS1083

Left Outer Middle Shroud Assembly



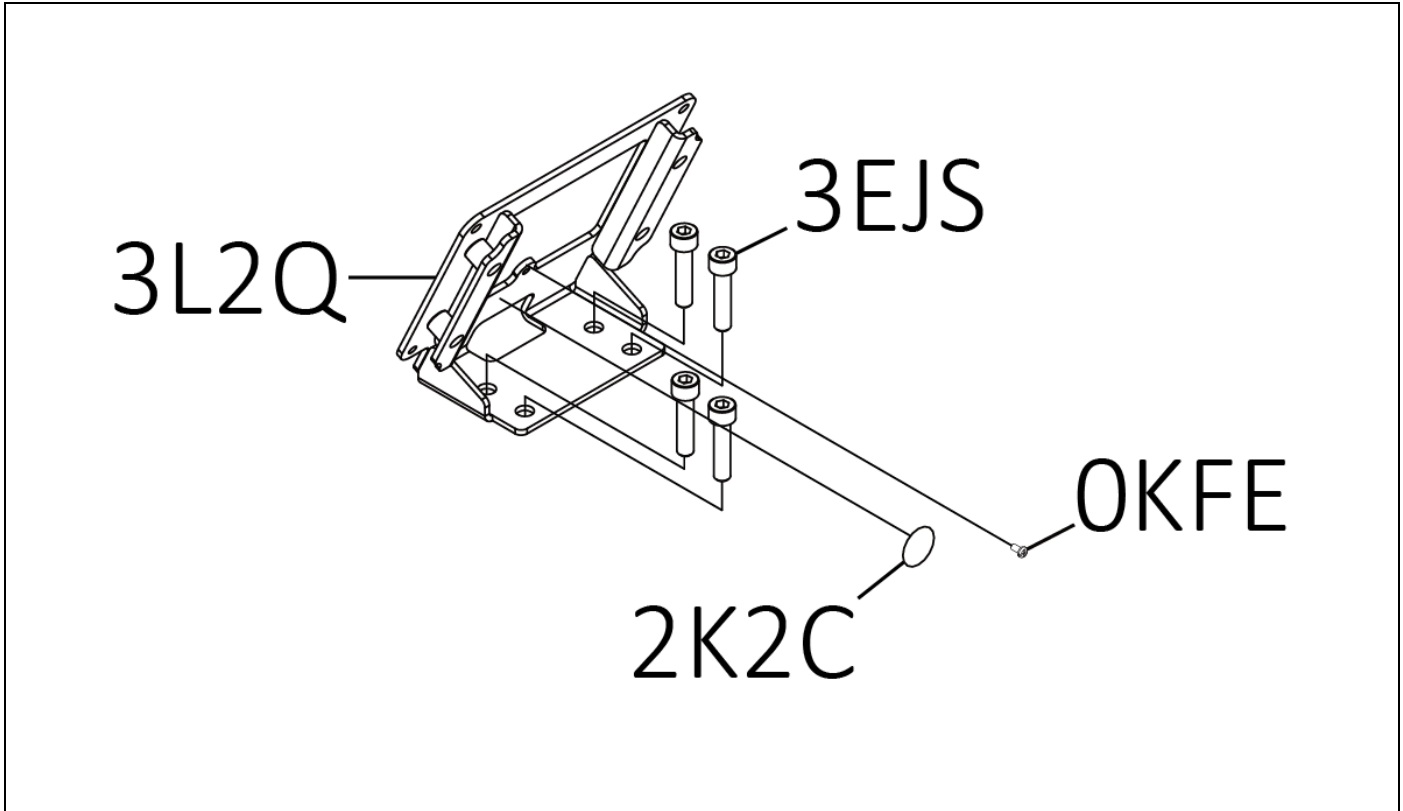
Bill of Material:

Key No:	Vendor Part No.	TRUE Part Number (if applicable)	Description:	Units:	Quantity:
3L45	10K43L45		Left Outer Middle Shroud		1
3L38	10K43L38		Link Plate		1
3L49	10K43L49		Sticker		1
OKH6	2669BNFA24		Cr. Re. Pan Hd. Screw M5*0.8-12		1



TRUE FITNESS®

TRUE PART No: 7TS1082 Console Mast Assembly



Bill of Material:

Key No:	Vendor Part No.	TRUE Part Number (if applicable)	Description:	Units:	Quantity:
3L2Q	10K43L2Q	-	Console Mast		1
3EJS	26023EJS	-	Hex. Soc. Hd. Cap Bolt M8*1.25-16		4
2K2C	10C52K2C	-	Ground Screw		1
OKFE	2668BZDA22	-	Cr. Re. Pan Hd. Screw		1

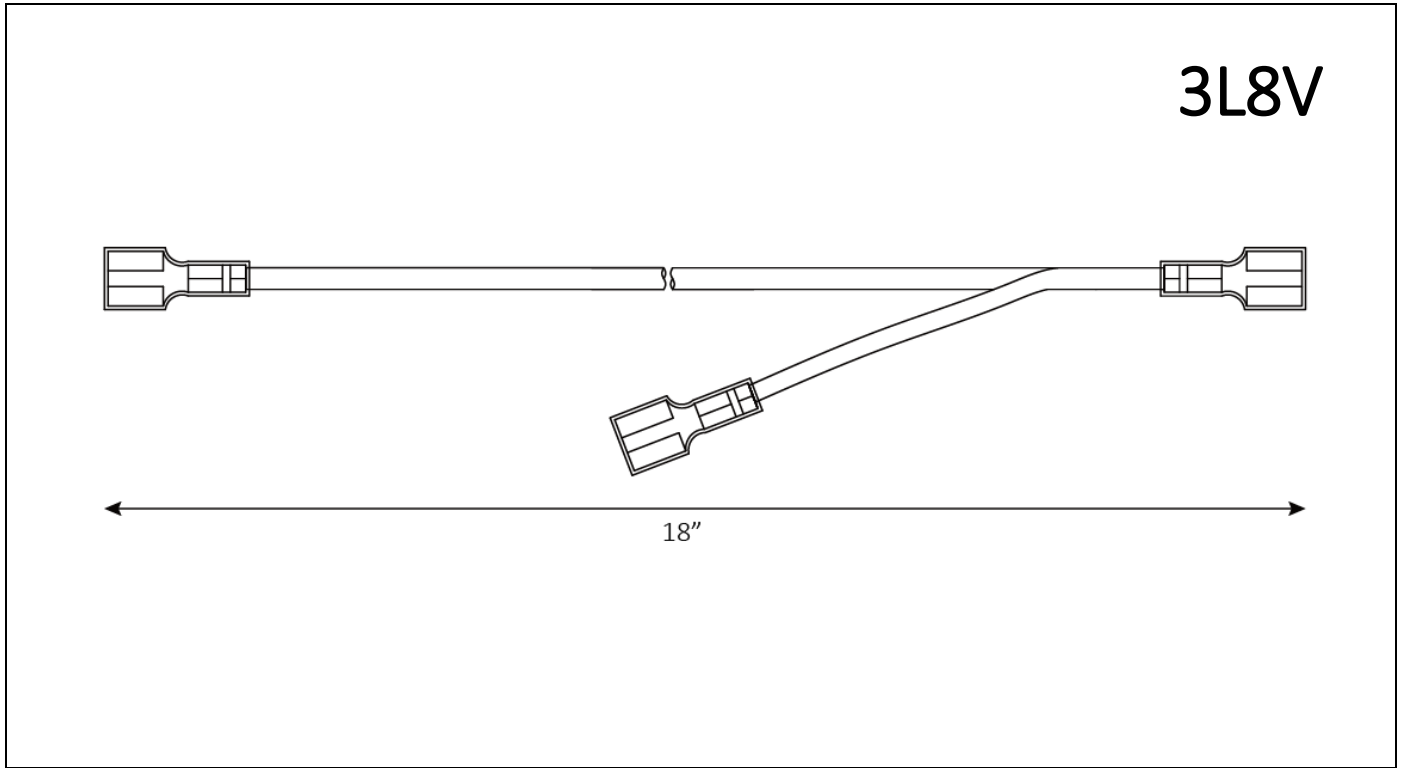


TRUE FITNESS®

TRUE PART No: 7TS1081

Vendor PART No: **10K43L8V**

White Inlet to Daisy Chain Cable



Bill of Material:

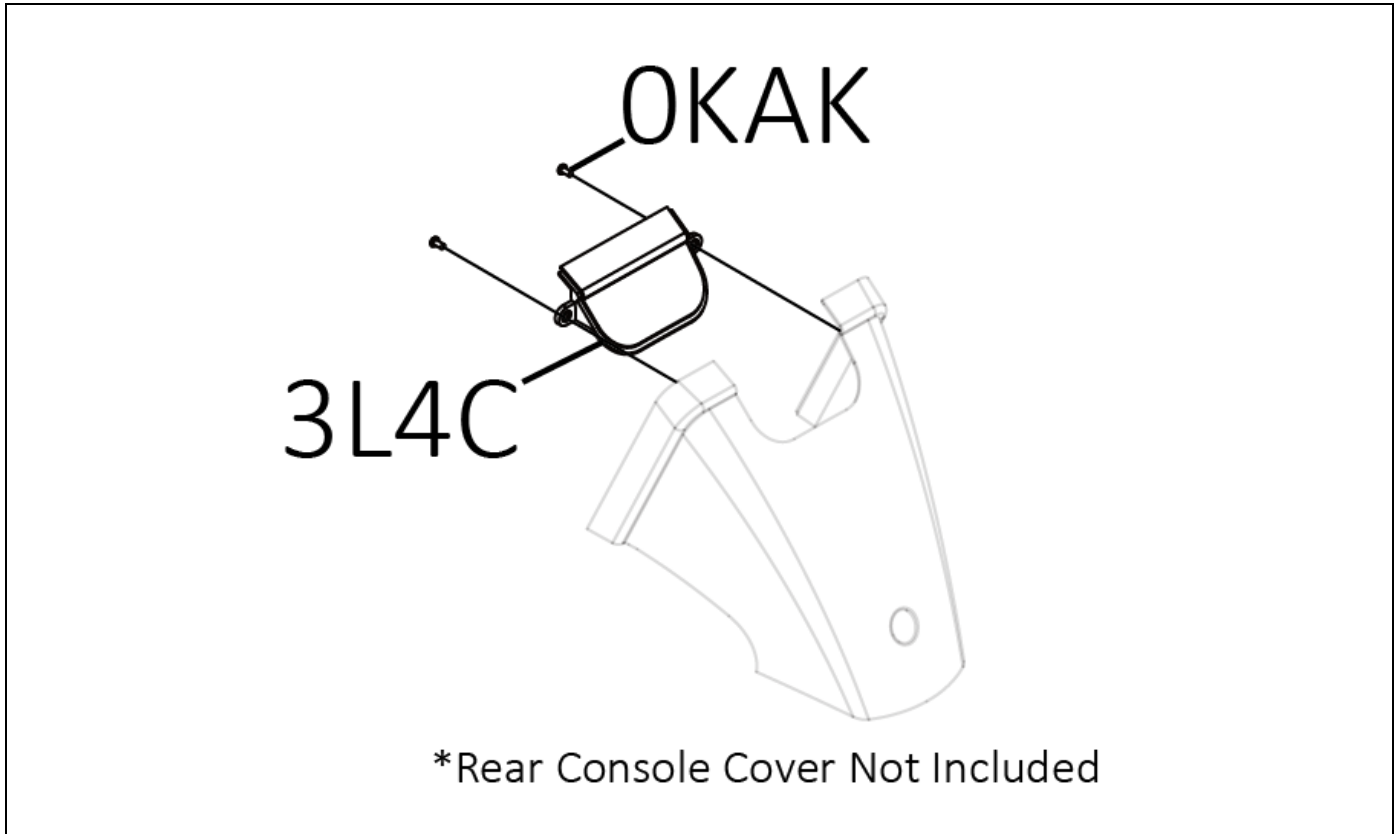
Key No:	Vendor Part No.	TRUE Part Number (if applicable)	Description:	Units:	Quantity:
3L8V	10K43L8V		White Inlet to Daisy Chain Cable		1



TRUE FITNESS[®]

TRUE PART No: 7TS1080

Upper Plate for Rear Console Cover Assembly



Bill of Material:

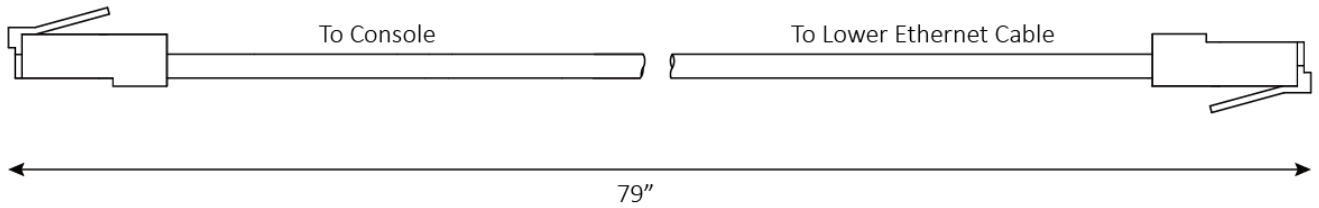
Key No:	Vendor Part No.	TRUE Part Number (if applicable)	Description:	Units:	Quantity:
3L4C	10K43L4C		Upper Plate for Rear Console Cover		1
OKAK	2660MZCE10		Cr. Re. Pan Hd. Tapping Screw M4*16-8		2



TRUE FITNESS®

TRUE PART No: 7TS1079 Upper Ethernet Cable

3LC0



Bill of Material:

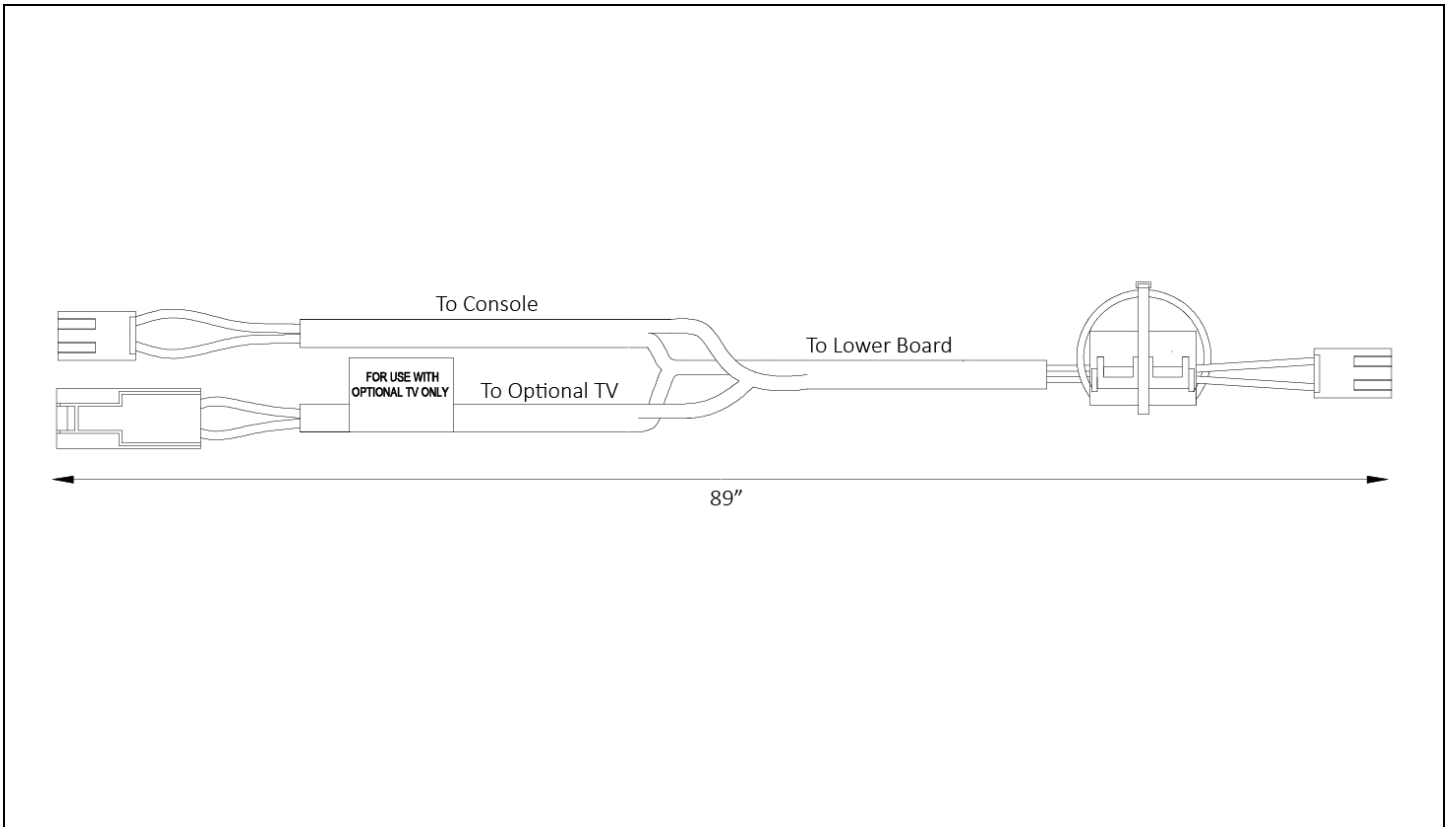
Key No:	Vendor Part No.	TRUE Part Number (if applicable)	Description:	Units:	Quantity:
3LC0	10K43LC0		Upper Ethernet Cable		1



TRUE FITNESS®

TRUE Part No: **7TS1078**

DC Power Cable



Bill of Material:

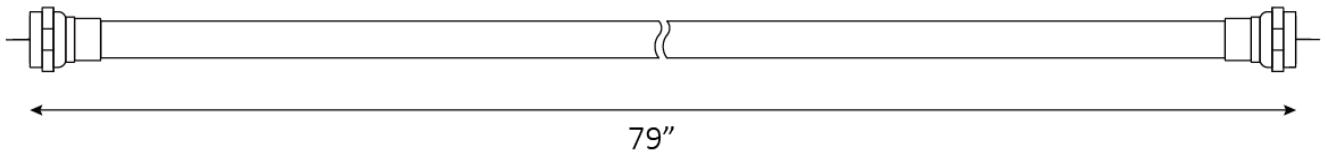
Key No	Vendor Part No.	TRUE Part Number	Description	Qty
3M60	10K43M60	7TS1078	DC Power Cable	1



TRUE FITNESS®

TRUE PART No: 7TS1077 Upper Coaxial Cable

3LC1



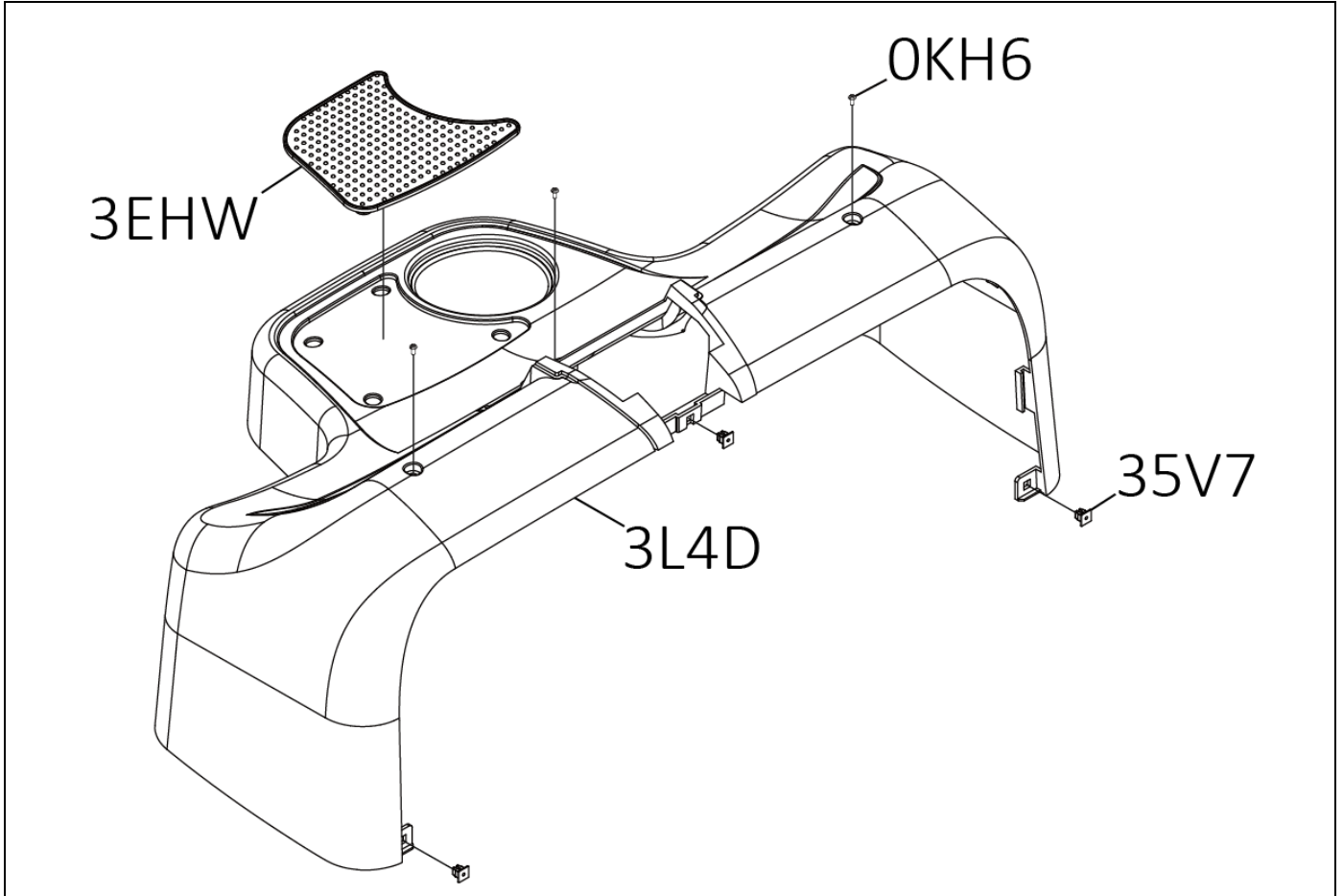
Bill of Material:

Key No:	Vendor Part No.	TRUE Part Number (if applicable)	Description:	Units:	Quantity:
3LC1	10K43LC1		Upper Coaxial Cable		1



TRUE FITNESS®

TRUE PART No: 7TS1076 Top Shoulder Cover Assembly



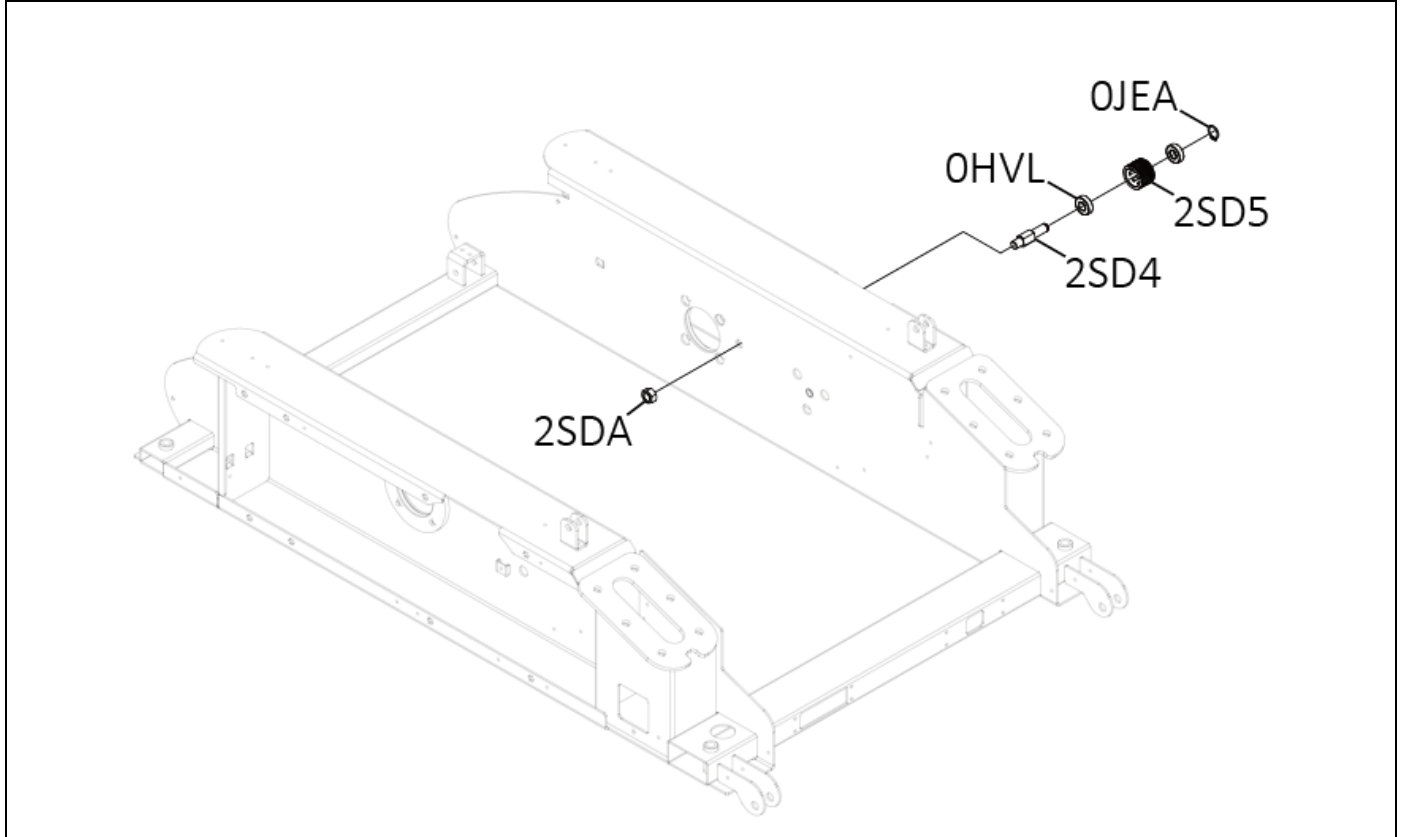
Bill of Material:

Key No:	Vendor Part No.	TRUE Part Number (if applicable)	Description:	Units:	Quantity:
3L4D	10K43L4D		Top Shoulder Cover		1
35V7	10H635V7		Clip		3
0KH6	2669BNFA24		Cr. Re. Pan Hd. Screw M5*0.8-12		3
3EHW	10J73EHW		Accessory Pad		1



TRUE FITNESS®

TRUE PART No: 7TS1075 Tension Wheel Assembly



Bill of Material:

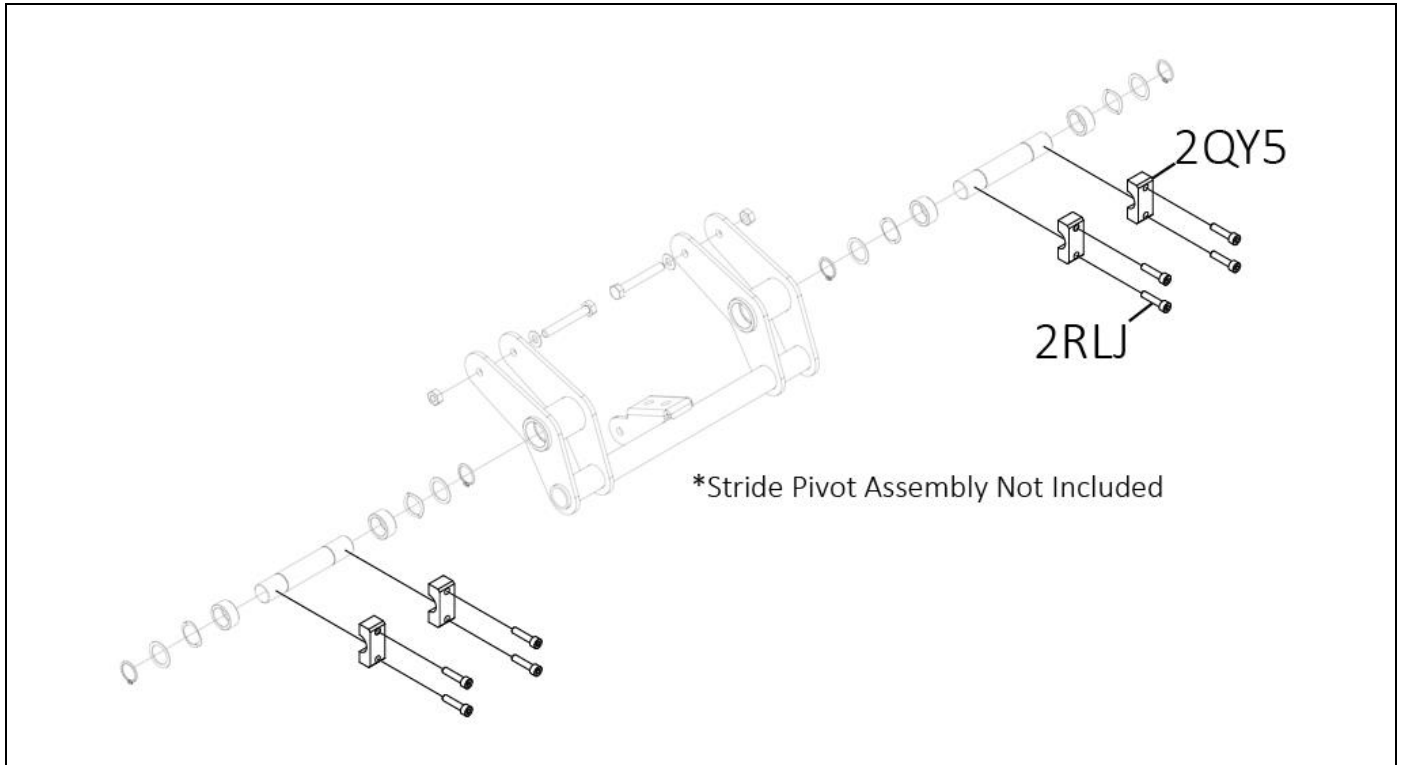
Key No:	Vendor Part No.	TRUE Part Number (if applicable)	Description:	Units:	Quantity:
2SDA	27012SDA		Hex. Nut M12*1.75,T=10		1
2SD4	10F12SD4		Tension Wheel Axel		1
OHVL	2001ZZ6001		Ball Bearing 6001ZZ		2
2SD5	10F12SD5		Tension Wheel		1
OJEA	2570BBN112		C-Ring		1



TRUE FITNESS®

TRUE PART No: 7TS1074

Stride Pivot Bracket Clamp Assembly



Bill of Material:

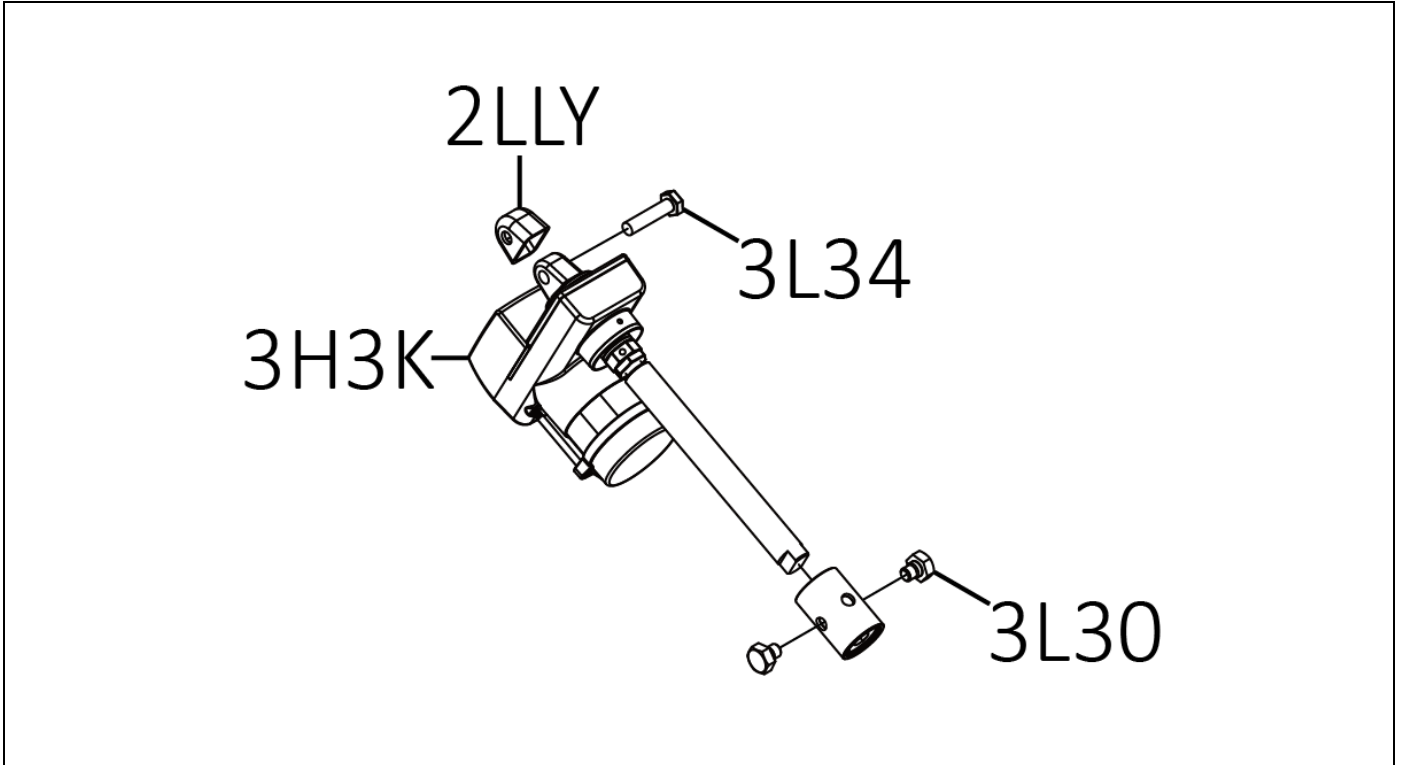
Key No:	Vendor Part No.	TRUE Part Number (if applicable)	Description:	Units:	Quantity:
2QY5	10F12QY5	7CX0103	Stride Pivot Bracket Clamp		4
2RLJ	26022RLJ	7CX0104	Hex. Soc. Hd. Cap Bolt M8*1.25-35		8



TRUE FITNESS®

TRUE PART No: 7TS1073

Stride Motor Assembly



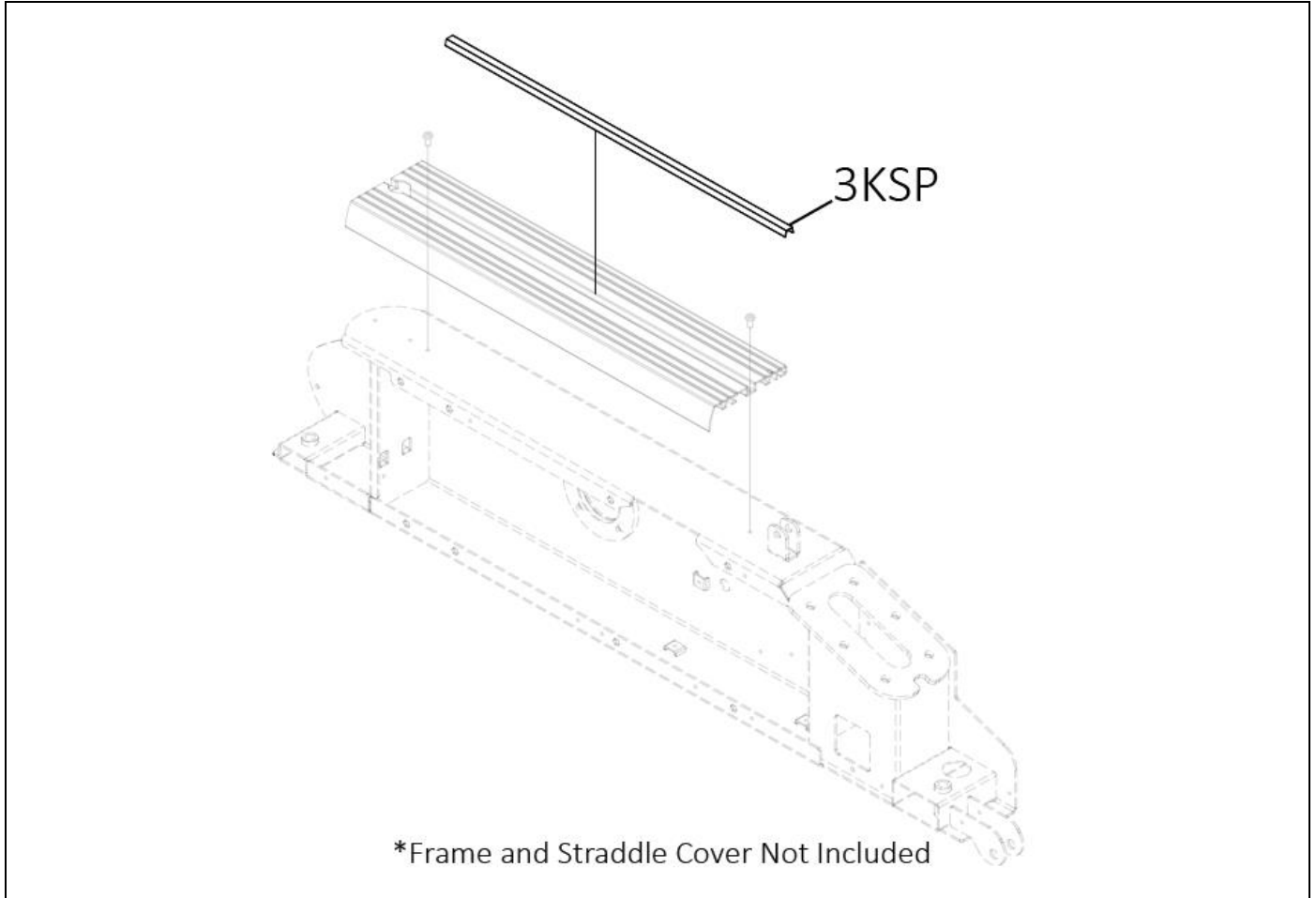
Bill of Material:

Key No:	Vendor Part No.	TRUE Part Number (if applicable)	Description:	Units:	Quantity:
3H3K	80K43H3K		Stride Motor		1
2LLY	10D92LLY		Plastic Sleeve		1
3L34	10K43L34		Bolt		1
3L30	10K43L30		Bolt		2



TRUE FITNESS[®]

TRUE PART No: 7TS1072 Straddle Cover Insert



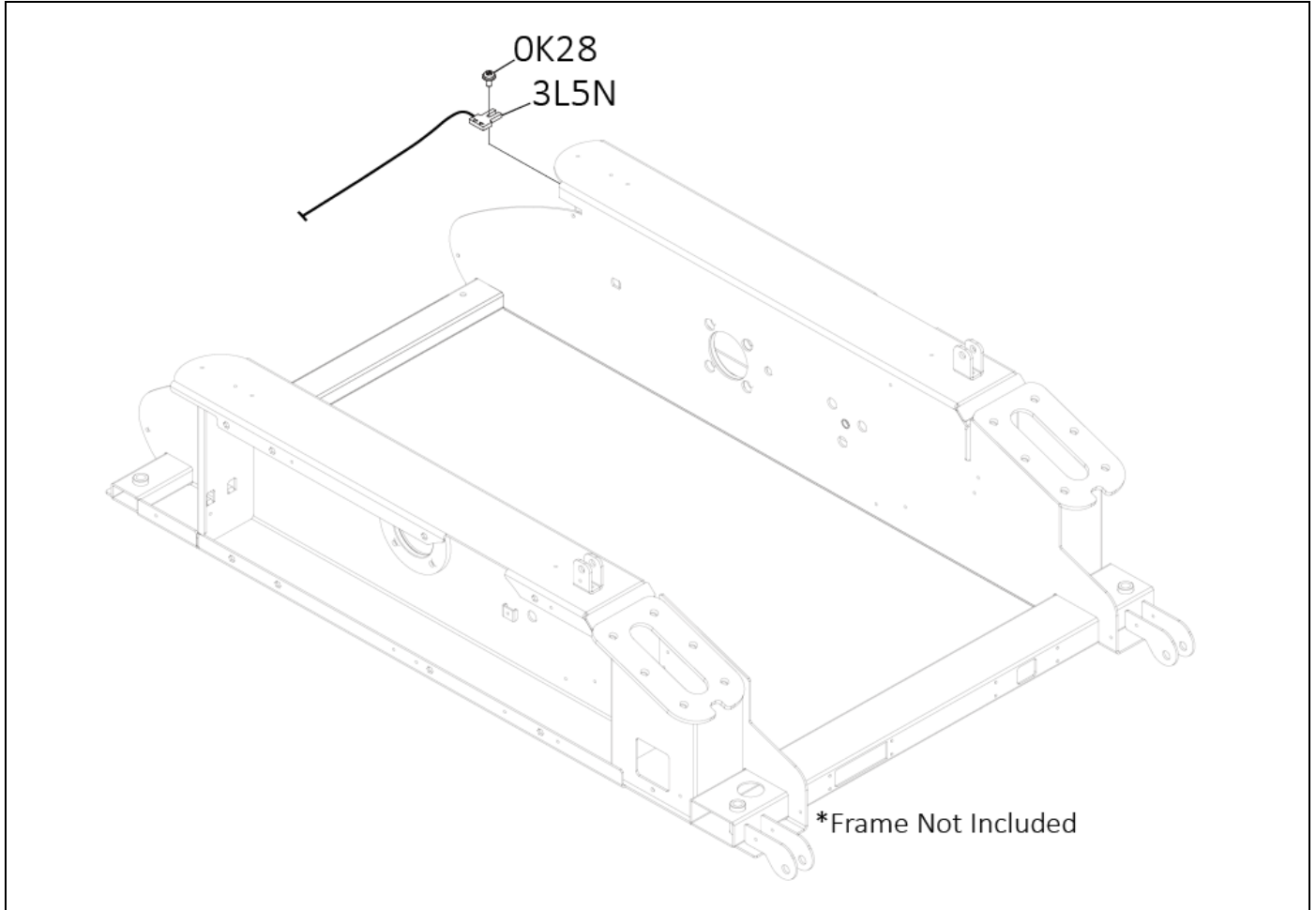
Bill of Material:

Key No:	Vendor Part No.	TRUE Part Number (if applicable)	Description:	Units:	Quantity:
3KSP	10K43KSP		Straddle Cover Insert		1



TRUE FITNESS[®]

TRUE PART No: 7TS1071 Speed Sensor w/Cable Assembly



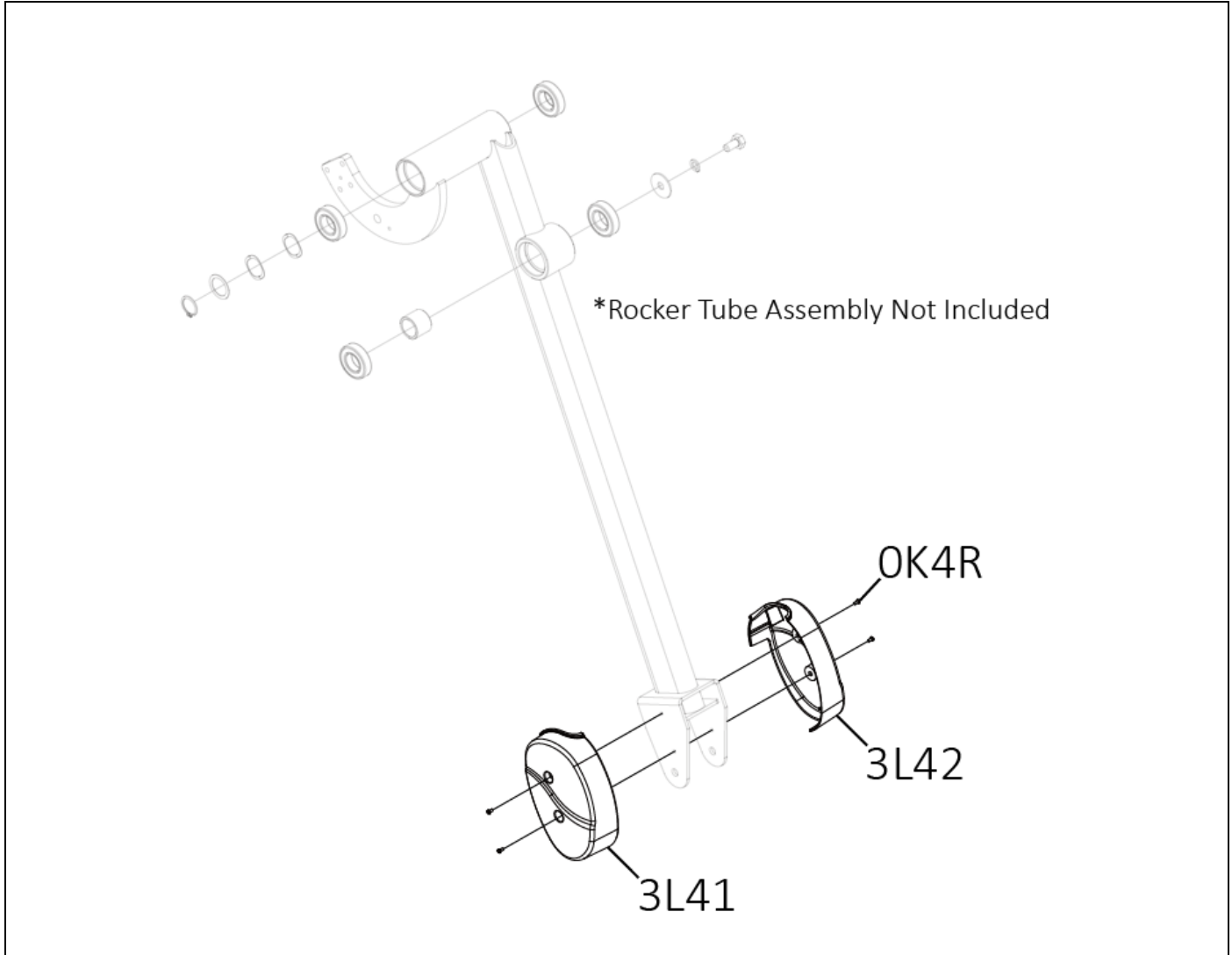
Bill of Material:

Key No:	Vendor Part No.	TRUE Part Number (if applicable)	Description:	Units:	Quantity:
3L5N	10K43L5N		Speed Sensor		1
OK28	2617BBLC15		Hex. Socket Hd. Cap Screw M5X0.8-16		1



TRUE FITNESS®

TRUE PART No: 7TS1070 Rocker Tube Cover Assembly



Bill of Material:

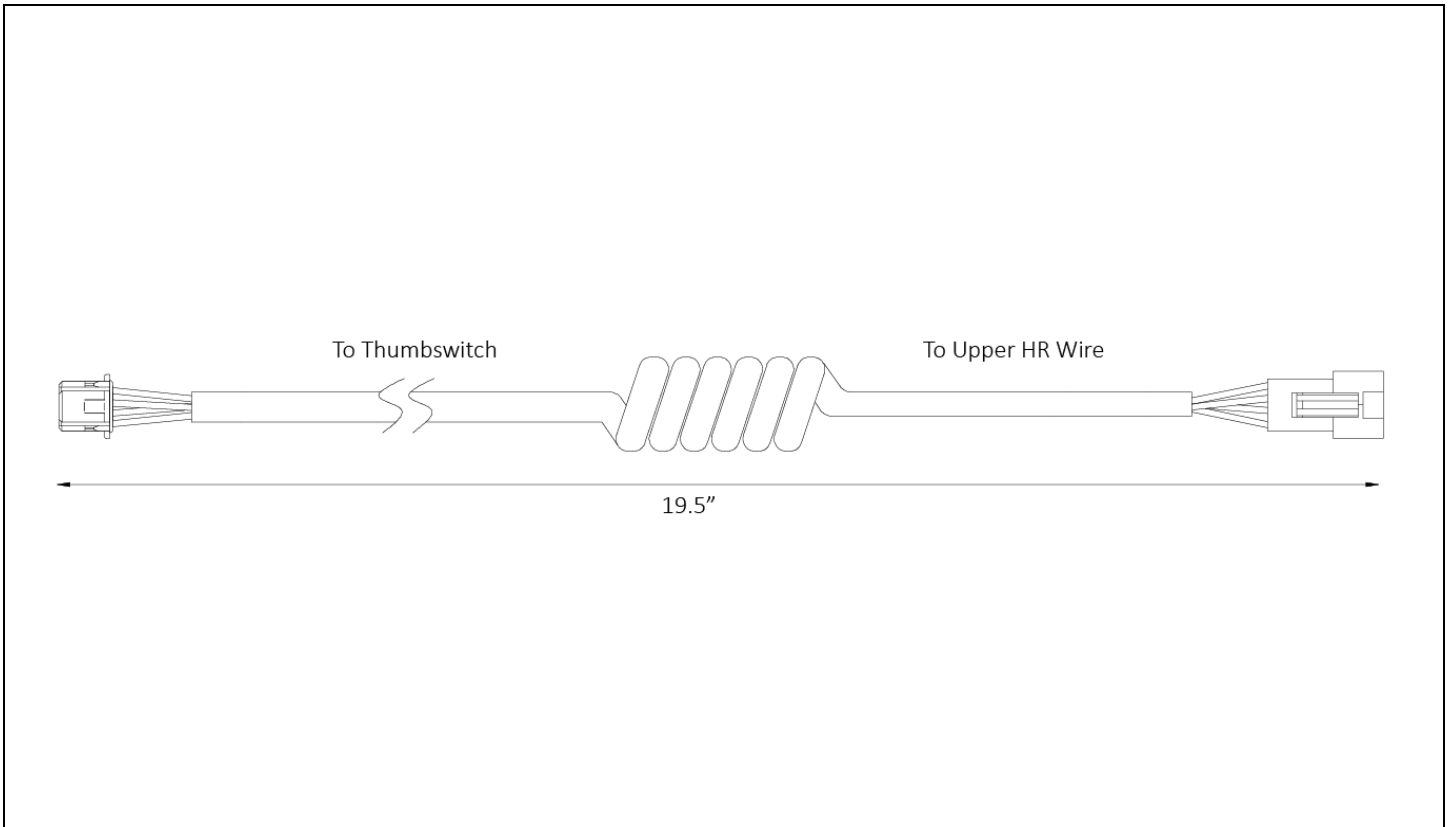
Key No:	Vendor Part No.	TRUE Part Number (if applicable)	Description:	Units:	Quantity:
3L41	10K43L41		Right Rocker Tube Cover		1
3L42	10K43L42		Left Rocker Tube Cover		1
OK4R	2634BFDA24		Cr. Re. Truss Hd. Screw		4



TRUE FITNESS®

TRUE Part No: **7TS1069**

Right Thumbswitch/HR Wire



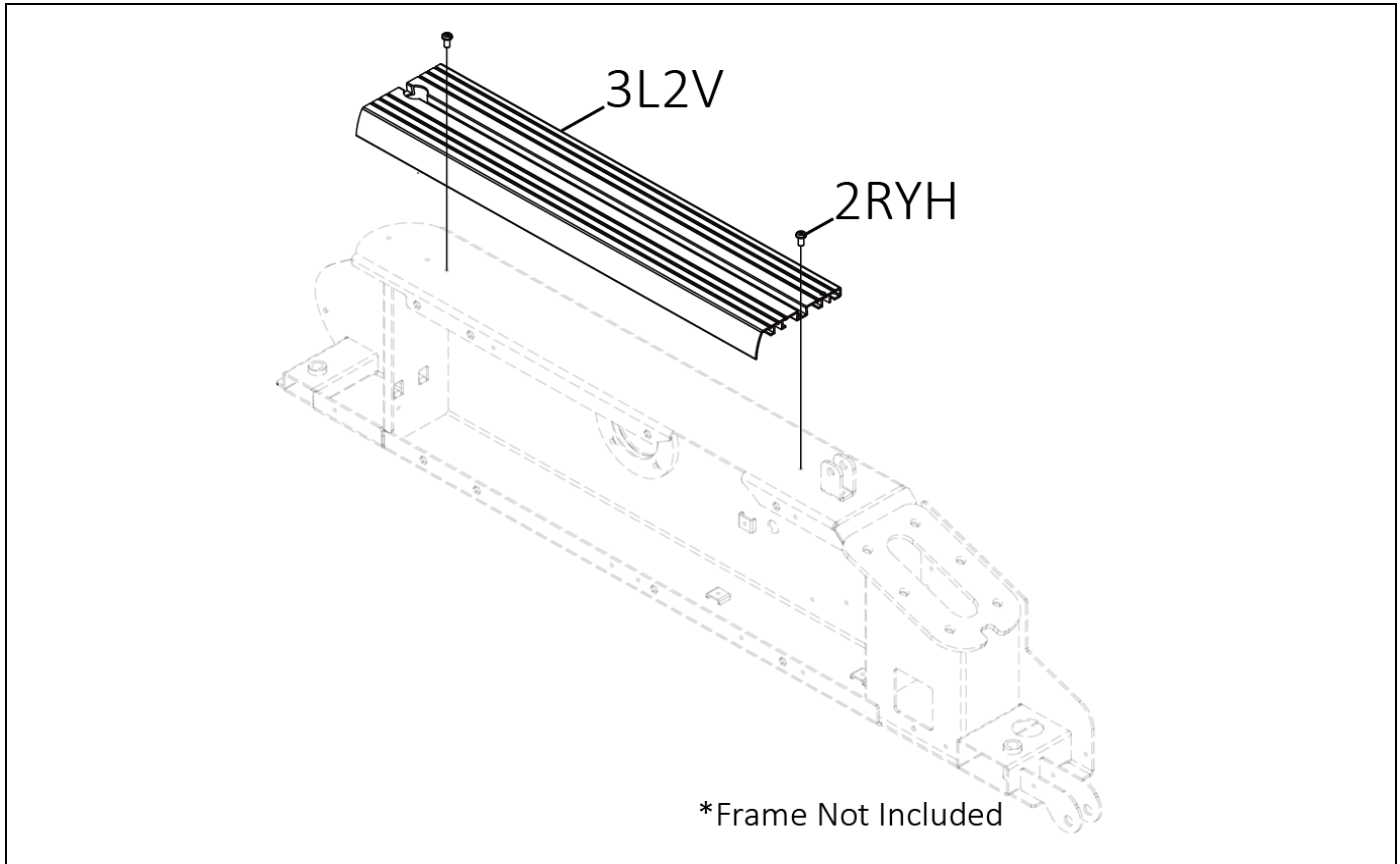
Bill of Material:

Key No	Vendor Part No.	TRUE Part Number	Description	Qty
3L5V	10K43L5V	7TS1069	Right Thumbswitch/HR Wire	1



TRUE FITNESS®

TRUE PART No: 7TS1068 Right Straddle Cover Assembly



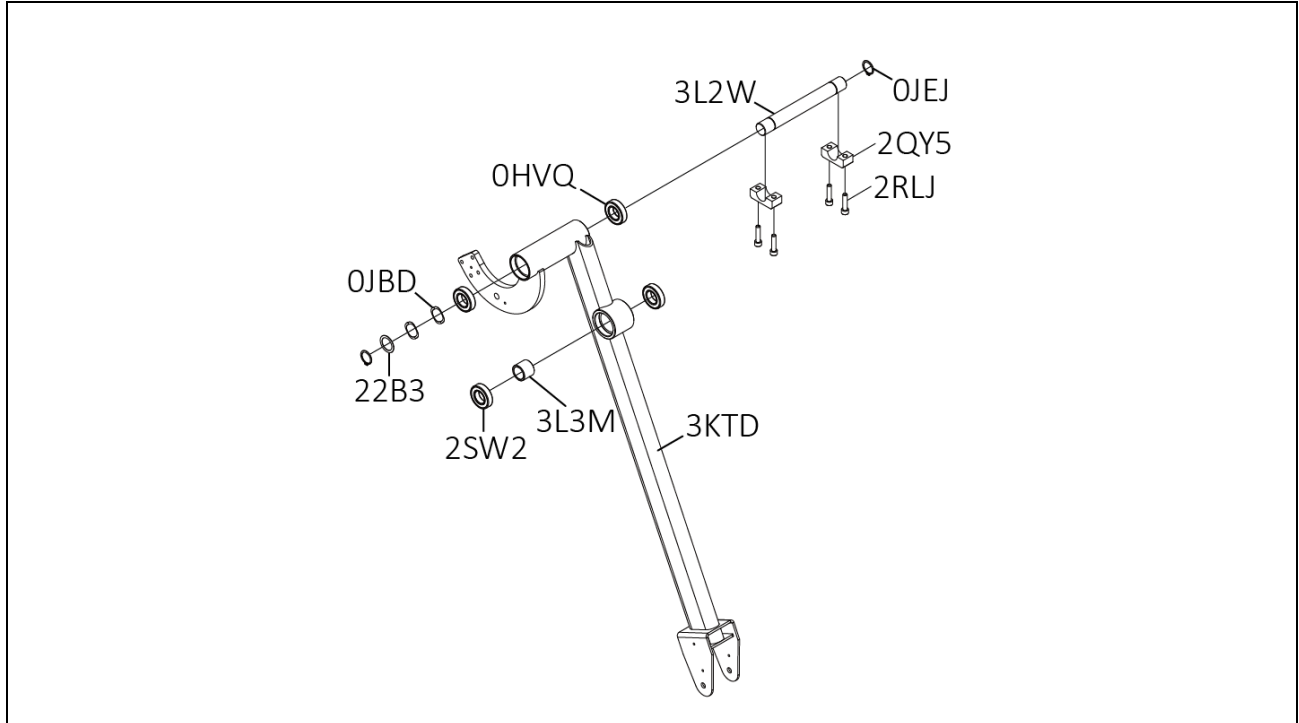
Bill of Material:

Key No:	Vendor Part No.	TRUE Part Number (if applicable)	Description:	Units:	Quantity:
3L2V	10K43L2V		Right Straddle Cover		1
2RYH	26682RYH		Cr. Re. Pan Hd. Screw M5*0.8-12		2



TRUE FITNESS®

TRUE PART No: 7TS1067 Right Rocker Arm Assembly



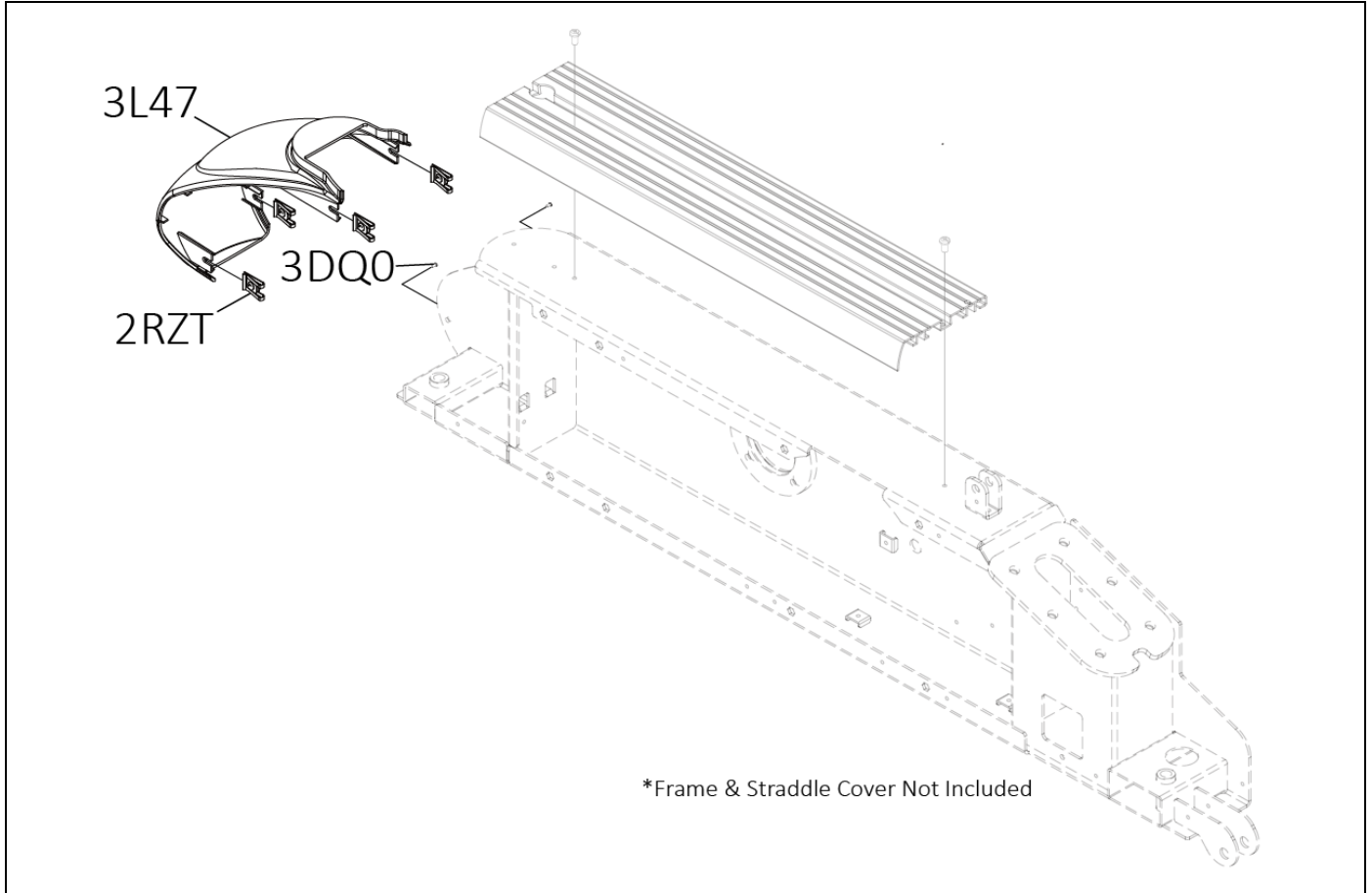
Bill of Material:

Key No:	Vendor Part No.	TRUE Part Number (if applicable)	Description:	Units:	Quantity:
3KTD	10K43KTD		Right Rocker Arm		1
2SW2	20012SW2		Ball Bearing 6005ZZ SKF		2
3L3M	10K43L3M		Collar		1
22B3	110822B3		Washer $\Phi 26 \times 35 - 0.8$		1
0JBD	2506MBN695		Wave Washer		2
0HVQ	2001ZZ6005		Ball Bearing 6005ZZ TPI		2
3L2W	10K43L2W		Rocker Arm Shaft		1
0JEJ	2570BBN125		C-Ring A-25		2
2QY5	10F12QY5		Rocker Arm Shaft Plunger Housing		2
2RLJ	26022RLJ		Hex. Soc. Hd. Cap Bolt M8*1.25-35		4



TRUE FITNESS®

TRUE PART No: 7TS1066 Right Rear Cover Assembly



Bill of Material:

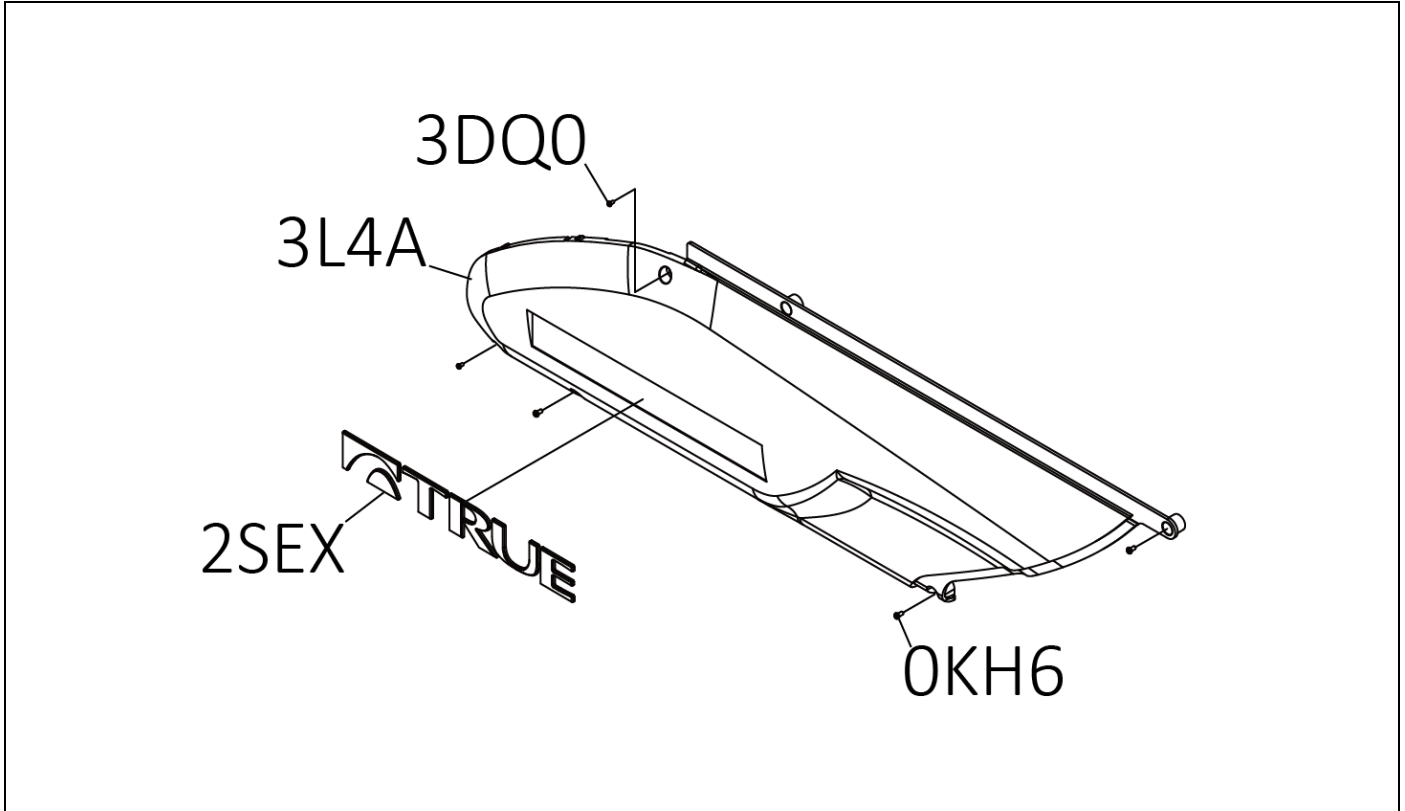
Key No:	Vendor Part No.	TRUE Part Number (if applicable)	Description:	Units:	Quantity:
3L47	10K43L47		Right Rear Cover		1
2RZT	27072RZT		"U" Nut M4*0.7-2B		4
3DQ0	26533DQ0		Cr. Re. Truss Hd. Tapping Screw		2



TRUE FITNESS®

TRUE PART No: 7TS1065

Right Outer Rear Shroud Assembly



Bill of Material:

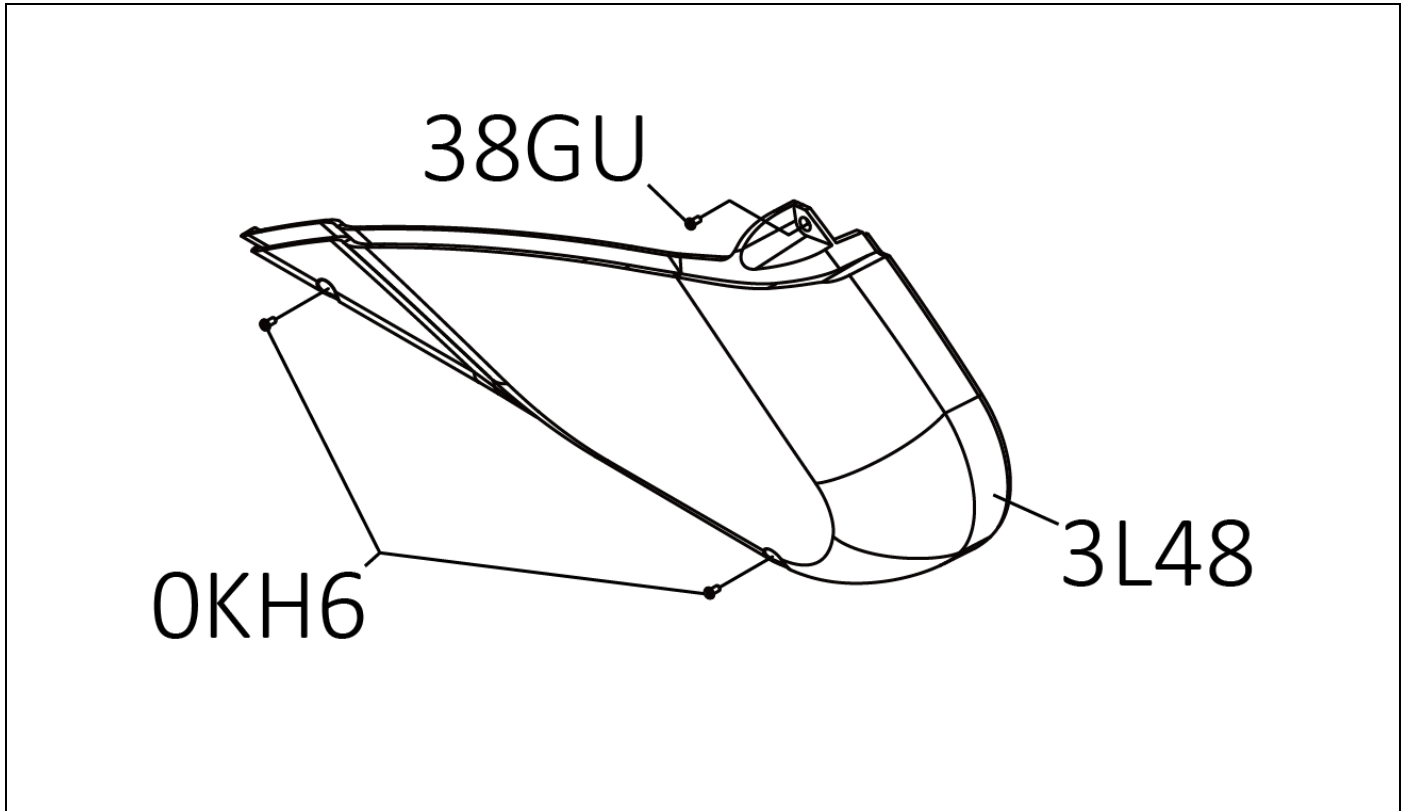
Key No:	Vendor Part No.	TRUE Part Number (if applicable)	Description:	Units:	Quantity:
3L4A	10K43L4A	-	Right Outer Rear Shroud		1
0KH6	2669BNFA24	-	Cr. Re. Pan Hd. Screw M5*0.8-12		4
3DQ0	26533DQ0	-	Cr. Re. Truss Hd. Tapping Screw M4*16-15		1
2SEX	10F12SEX	7CX0122	Silver TRUE Decal		1



TRUE FITNESS[®]

TRUE PART No: 7TS1064

Right Outer Front Shroud Assembly



Bill of Material:

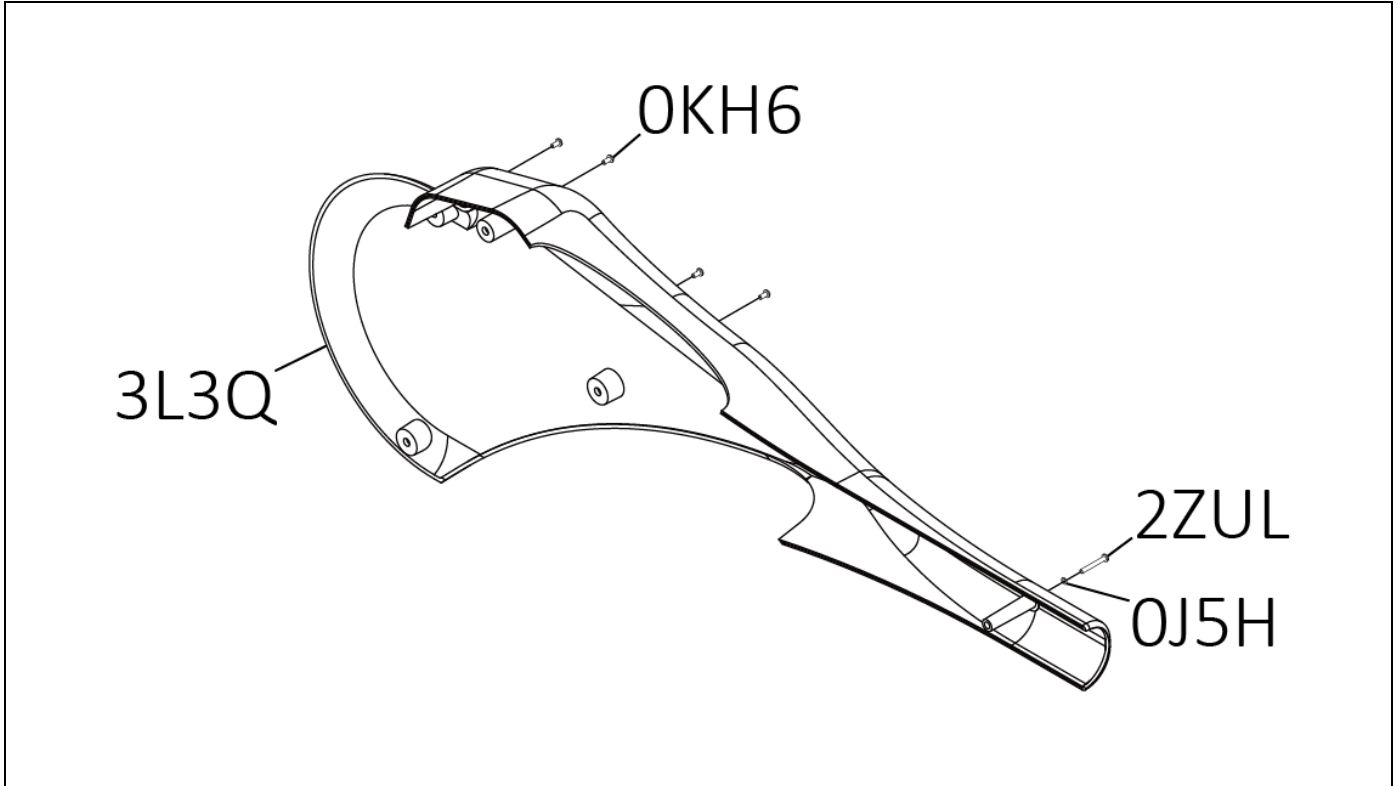
Key No:	Vendor Part No.	TRUE Part Number (if applicable)	Description:	Units:	Quantity:
3L48	10K43L48	-	Right Outer Front Shroud		1
OKH6	2669BNFA24	-	Cr. Re. Pan Hd. Screw M5*0.8-12		2
38GU	266138GU	-	Cr. Re. Truss Hd. Tapping Screw M4*16-16		1



TRUE FITNESS®

TRUE PART No: 7TS1063

Right Inner Middle Shroud Assembly



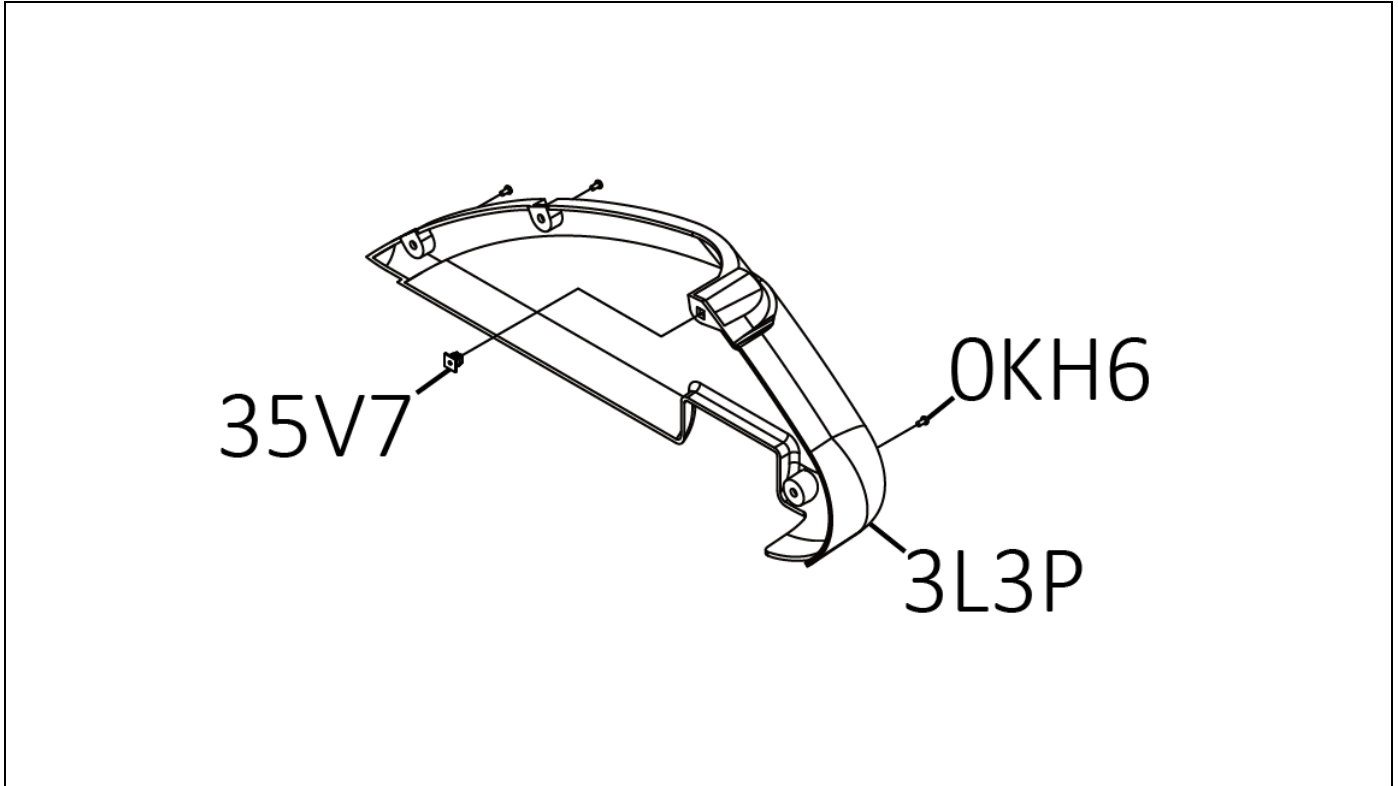
Bill of Material:

Key No:	Vendor Part No.	TRUE Part Number (if applicable)	Description:	Units:	Quantity:
3L3Q	10K43L3Q		Right Inner Middle Shroud		1
OKH6	2669BNFA24		Cr. Re. Pan Hd. Screw M5*0.8-12		4
2ZUL	2669BZDA94		Cr. Re. Pan Hd. Screw M5X0.8-50		1
OJ5H	N/A		Washer		1



TRUE FITNESS[®]

TRUE PART No: 7TS1062 Right Inner Front Shroud Assembly



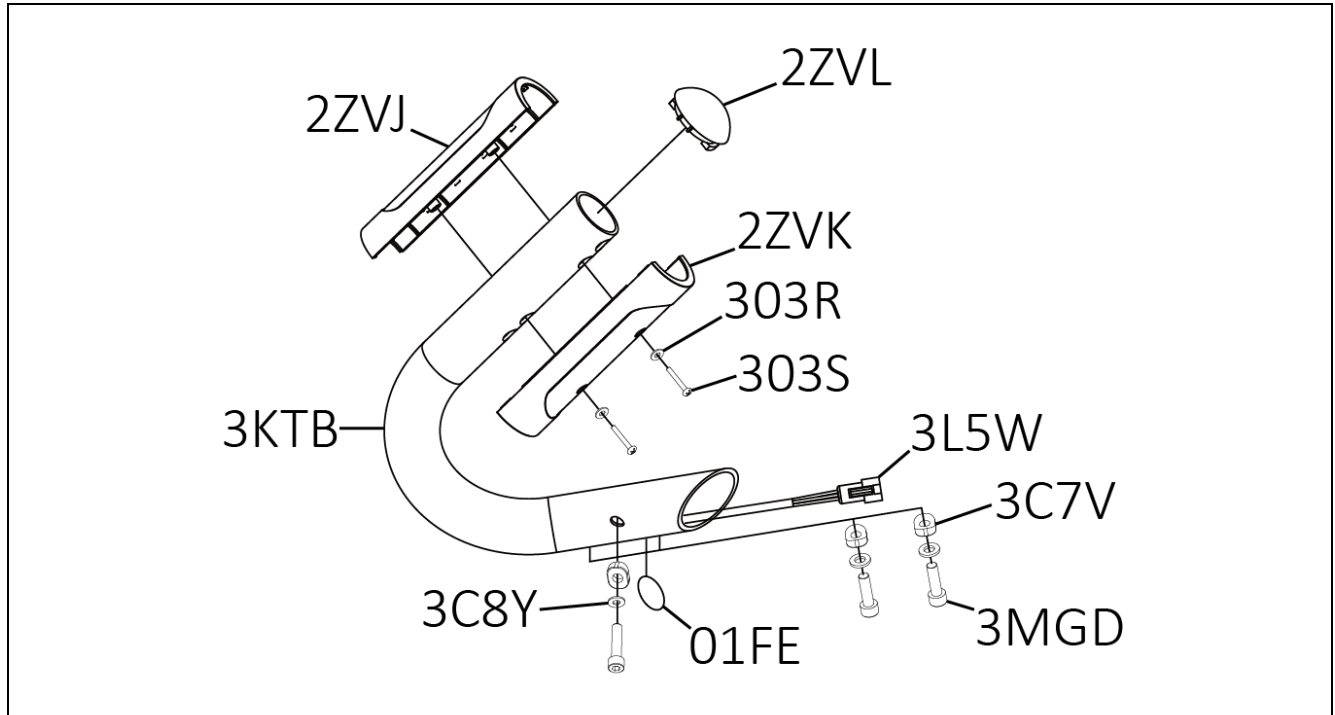
Bill of Material:

Key No:	Vendor Part No.	TRUE Part Number (if applicable)	Description:	Units:	Quantity:
3L3P	10K43L3P		Right Inner Front Shroud		1
0KH6	2669BNFA24		Cr. Re. Pan Hd. Screw M5*0.8-12		3
35V7	10H635V7		Clip		1



TRUE FITNESS®

TRUE PART No: 7TS1061 Right Handlebar Grip Assembly



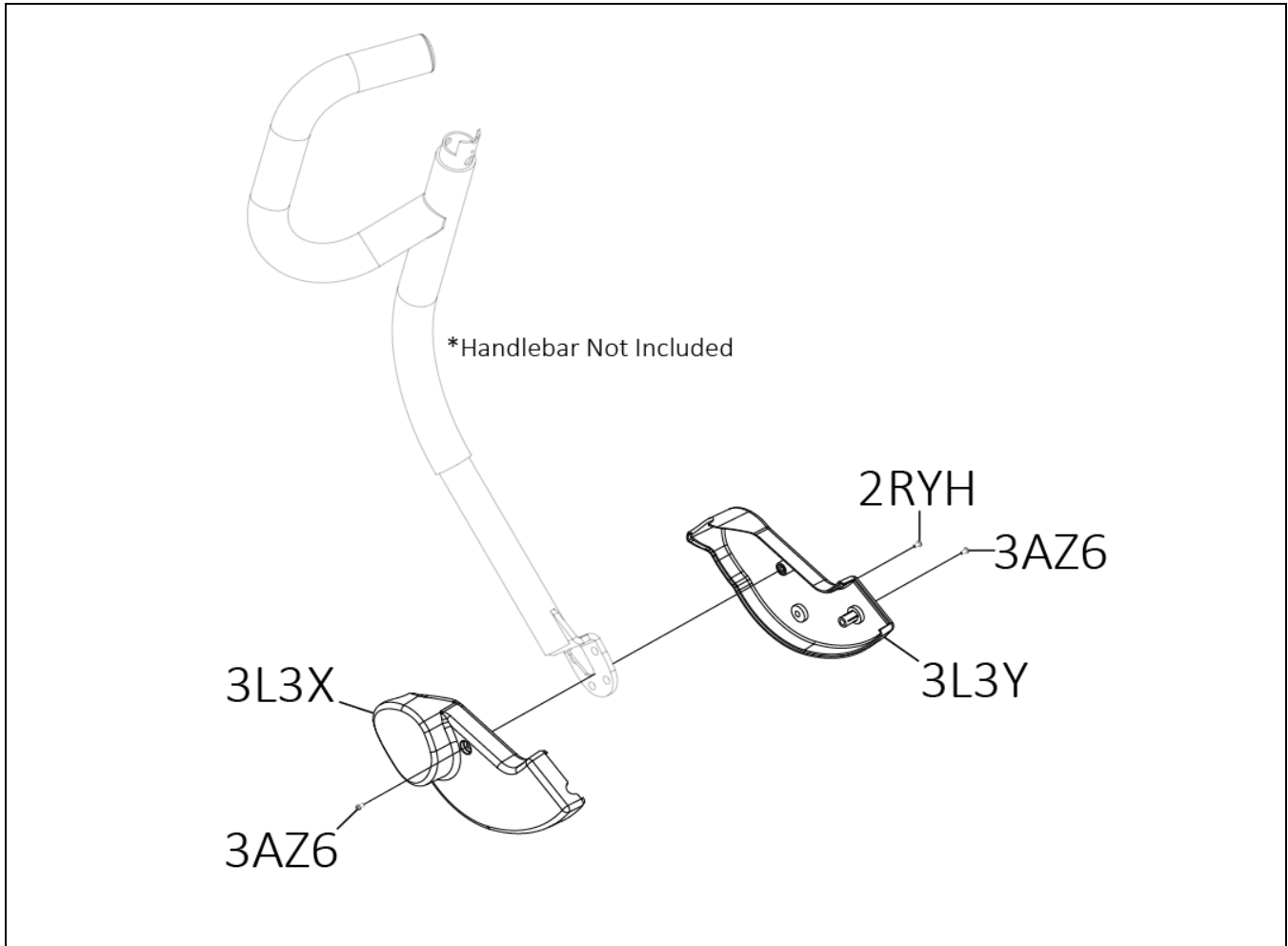
Bill of Material:

Key No:	Vendor Part No.	TRUE Part Number (if applicable)	Description:	Units:	Quantity:
3KTB	10K43KTB		Right Handlebar Grip		1
3MGD	26023MGD		Hex. Soc. Hd. Cap Bolt M6*1.0-20		3
3C8Y	25013C8Y		Flat Washer $\Phi 6*12-1.5$		3
3L5W	10K43L5W		HR Wire		1
2ZVJ	10F12ZVJ		Upper HR Grip Plastic		1
2ZVL	10F12ZVL		HR End Cap		1
2ZVK	10F12ZVK		Lower HR Grip Plastic		1
303R	2502303R		Spring Washer $\Phi 3$		2
303S	2637303S		Cr. Re. Truss Hd. Screw M3*0.5-25		2
3C7V	N/A		Plastic Spacer		3
01FE	1A409701		Sticker		1



TRUE FITNESS®

TRUE PART No: 7TS1060 Right Handlebar Cover Assembly (Set)



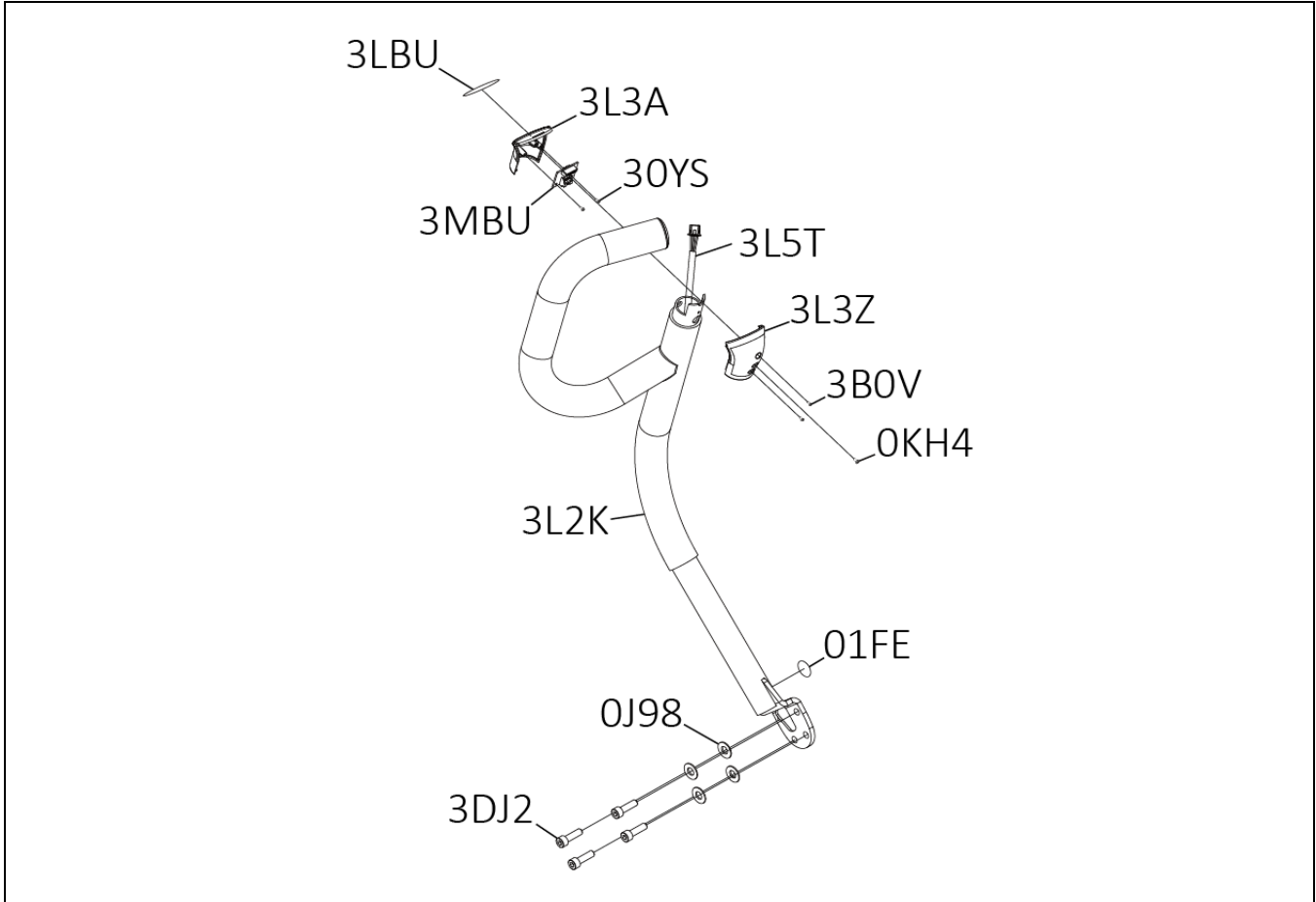
Bill of Material:

Key No:	Vendor Part No.	TRUE Part Number (if applicable)	Description:	Units:	Quantity:
3L3Y	10K43L3Y		Left Handlebar Cover		1
3L3X	10K43L3X		Right Handlebar Cover		1
2RYH	26682RYH		Cr. Re. Truss Hd. Screw		1
3AZ6	26683AZ6		Cr. Re. Truss Hd. Screw M5*0.8-25		2



TRUE FITNESS®

TRUE PART No: 7TS1059 Right Handlebar Assembly



Bill of Material:

Key No:	Vendor Part No.	TRUE Part Number (if applicable)	Description:	Units:	Quantity:
3LBU	C1083LBU		Resistance Keypad		1
3L3A	10K43L3A		Upper Touch Sensor Hub		1
3MBU	10K43MBU		Quick Key Board		1
30YS	266030YS		Cr. Re. Pan Hd. Tapping Screw M3*24-6		2
3L5T	10K43L5T		Touch Sensor Wire		1
3L3Z	10K43L3Z		Lower Touch Sensor Hub		1
3B0V	26683B0V		Cr. Re. Pan Hd. Screw M4*0.7-18		2
0KH4	2669BNFA08		Cr. Re. Pan Hd. Screw M4*0.7-10		1

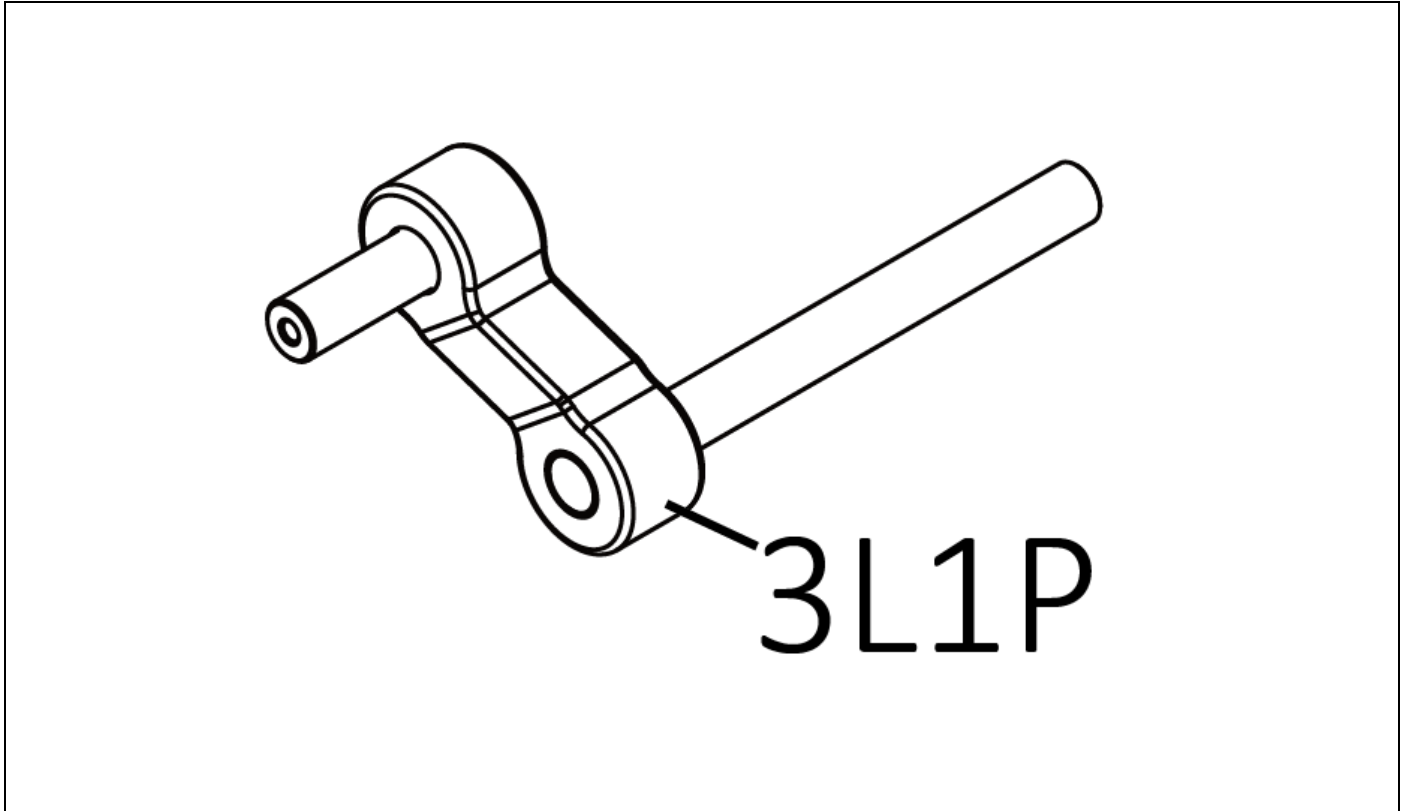
3L2K	10K43L2K		Right Handlebar		1
01FE	1A409701		Sticker		1
0J98	2502ANF416		Spring Washer $\phi 8$		4
3DJ2	26173DJ2		Hex. Soc. Hd. Cap Bolt M8*1.25-20		4



TRUE FITNESS[®]

TRUE PART No: 7TS1058

Right Crank



Bill of Material:

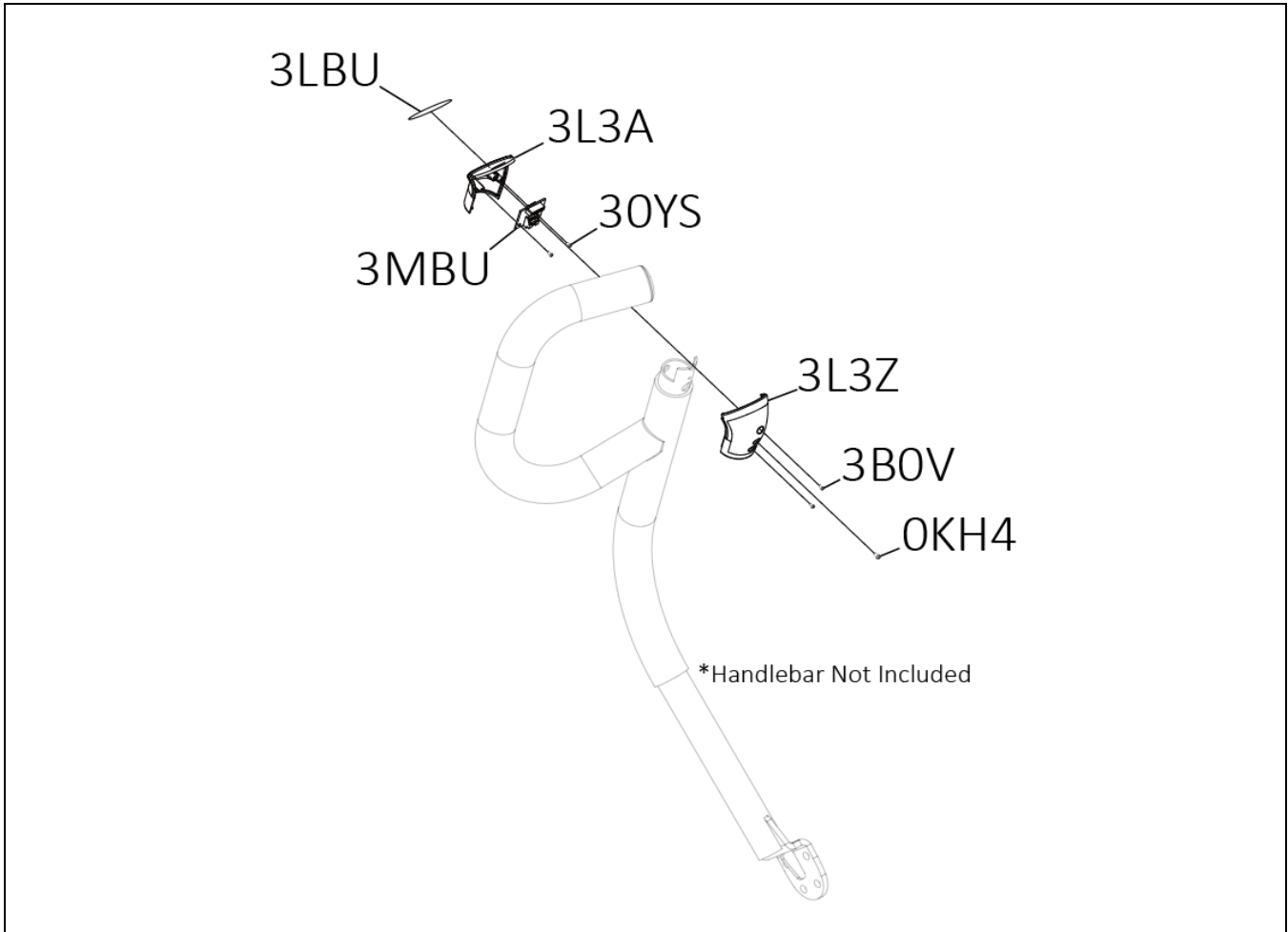
Key No:	Vendor Part No.	TRUE Part Number (if applicable)	Description:	Units:	Quantity:
3L1P	10K43L1P	-	Right Crank		1



TRUE FITNESS®

TRUE PART No: 7TS1057

Right (Resistance) Thumbswitch Assembly



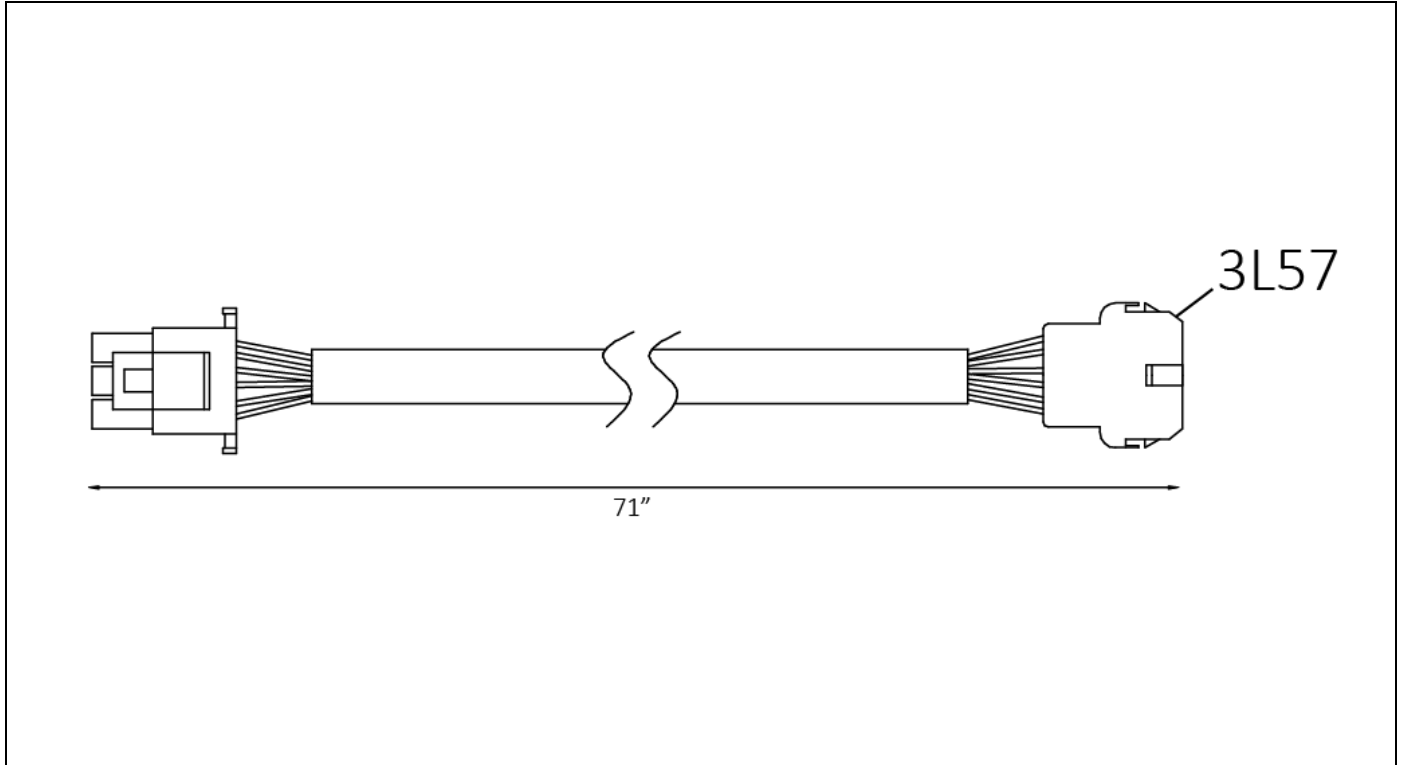
Bill of Material:

Key No:	Vendor Part No.	TRUE Part Number (if applicable)	Description:	Units:	Quantity:
3LBU	C1083LBU		Resistance Keypad		1
3L3A	10K43L3A		Upper Touch Sensor Hub		1
3MBU	10K43MBU		Quick Key Board		1
30YS	266030YS		Cr. Re. Pan Hd. Tapping Screw M3*24-6		2
3L3Z	10K43L3Z		Lower Touch Sensor Hub		1
3B0V	26683B0V		Cr. Re. Pan Hd. Screw M4*0.7-18		2
OKH4	2669BNFA08		Cr. Re. Pan Hd. Screw M4*0.7-10		1



TRUE FITNESS[®]

TRUE PART No: 7TS1056 Stride Motor Cable (To Lower Board)



Bill of Material:

Key No:	Vendor Part No.	TRUE Part Number (if applicable)	Description:	Units:	Quantity:
3L57	10K43L57		Stride Motor Cable (To Lower Board)		1

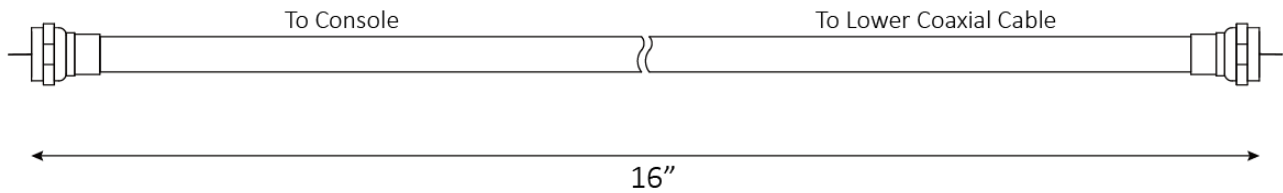


TRUE FITNESS[®]

TRUE PART No: 7TS1054

Lower Coaxial Cable

3LEK



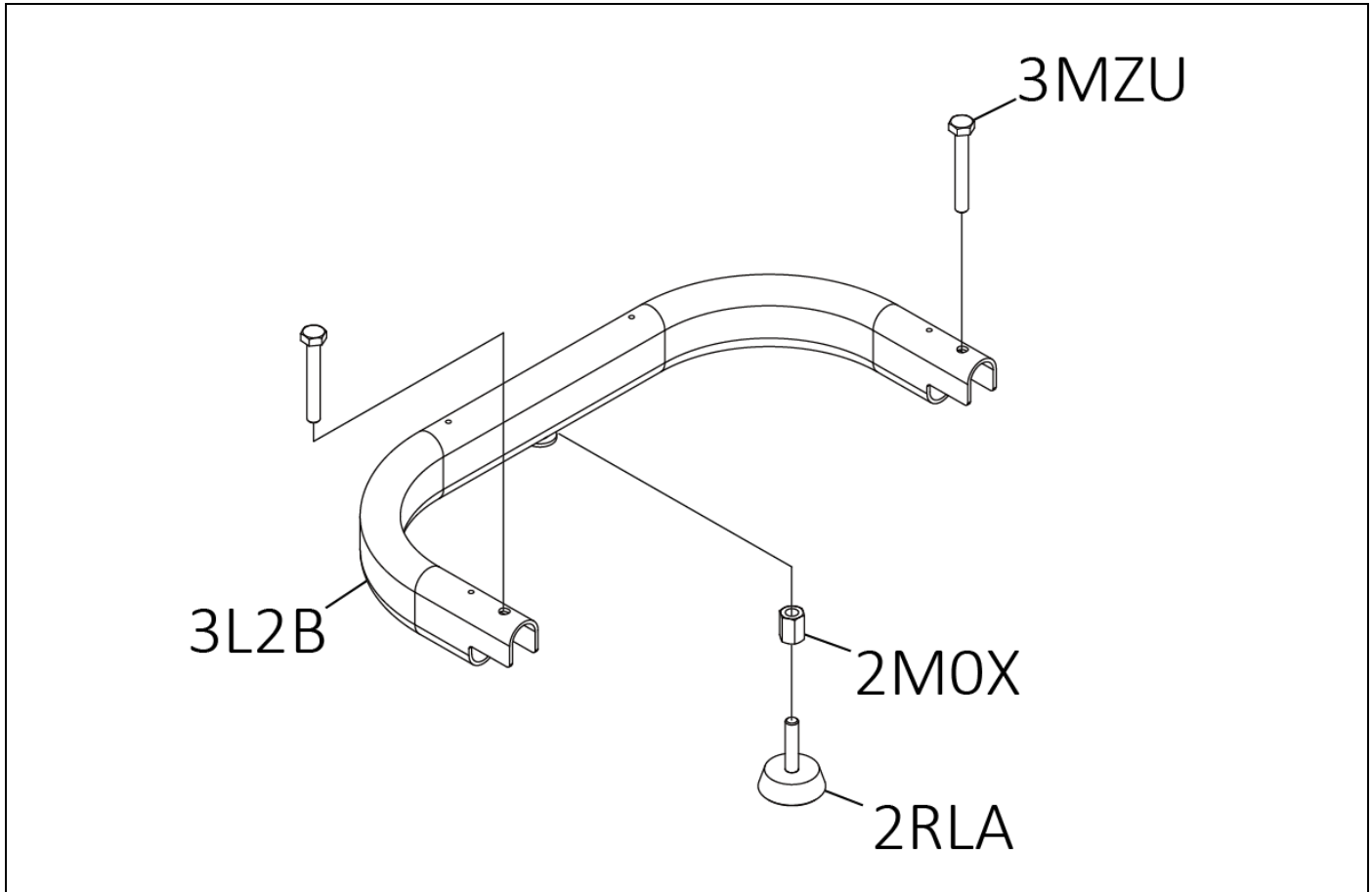
Bill of Material:

Key No:	Vendor Part No.	TRUE Part Number (if applicable)	Description:	Units:	Quantity:
3LEK	10K43LEK		Lower? Coaxial Cable		1



TRUE FITNESS®

TRUE PART No: 7TS1053 Rear Step Frame Assembly



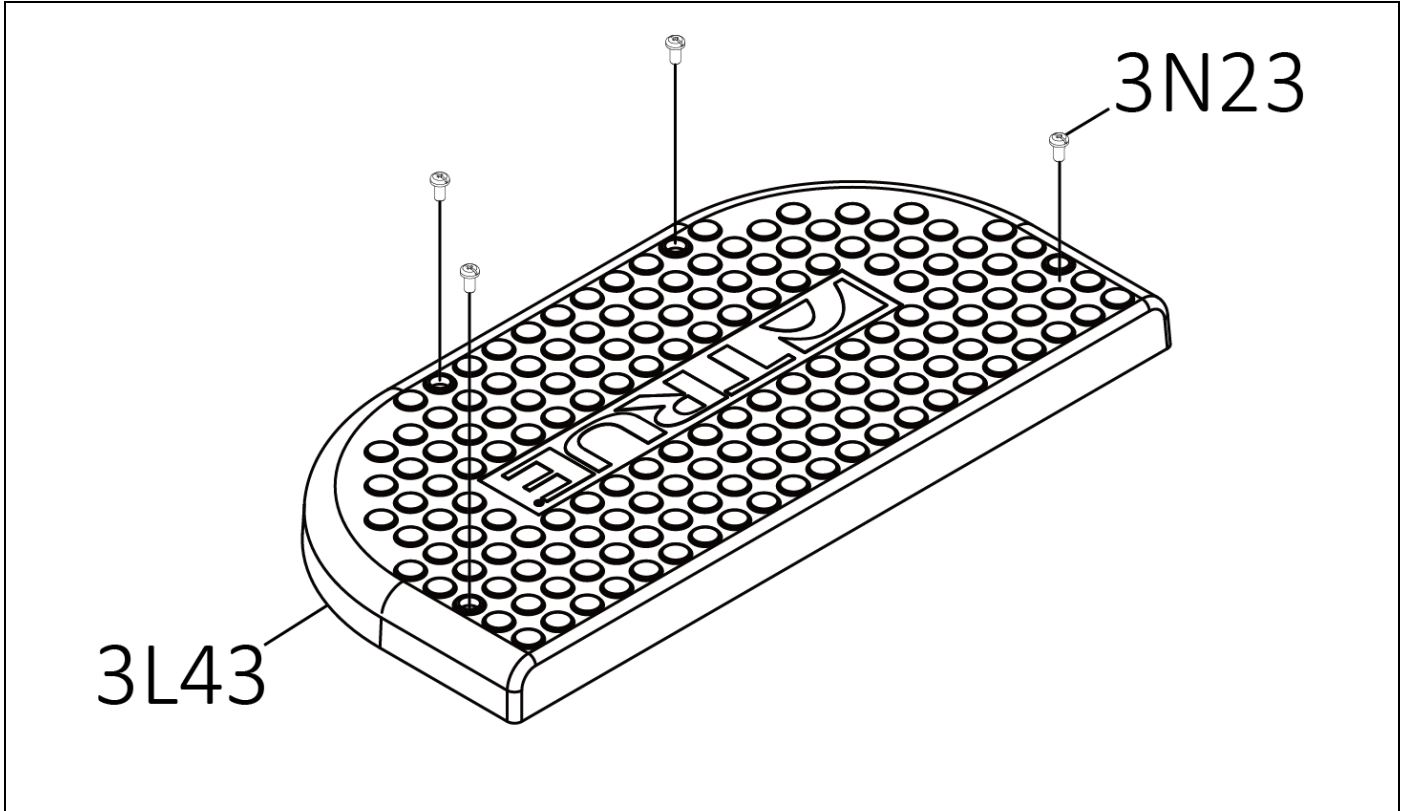
Bill of Material:

Key No:	Vendor Part No.	TRUE Part Number (if applicable)	Description:	Units:	Quantity:
3L2B	10K43L2B	-	Rear Step Frame		1
2RLA	10F12RLA	-	Leveling Foot		1
2M0X	10C22M0X	-	Hex Nut M10*1.5 T=23.2		1
3MZU			Bolt		2



TRUE FITNESS®

TRUE PART No: 7TS1052 Rear Step Cover Assembly



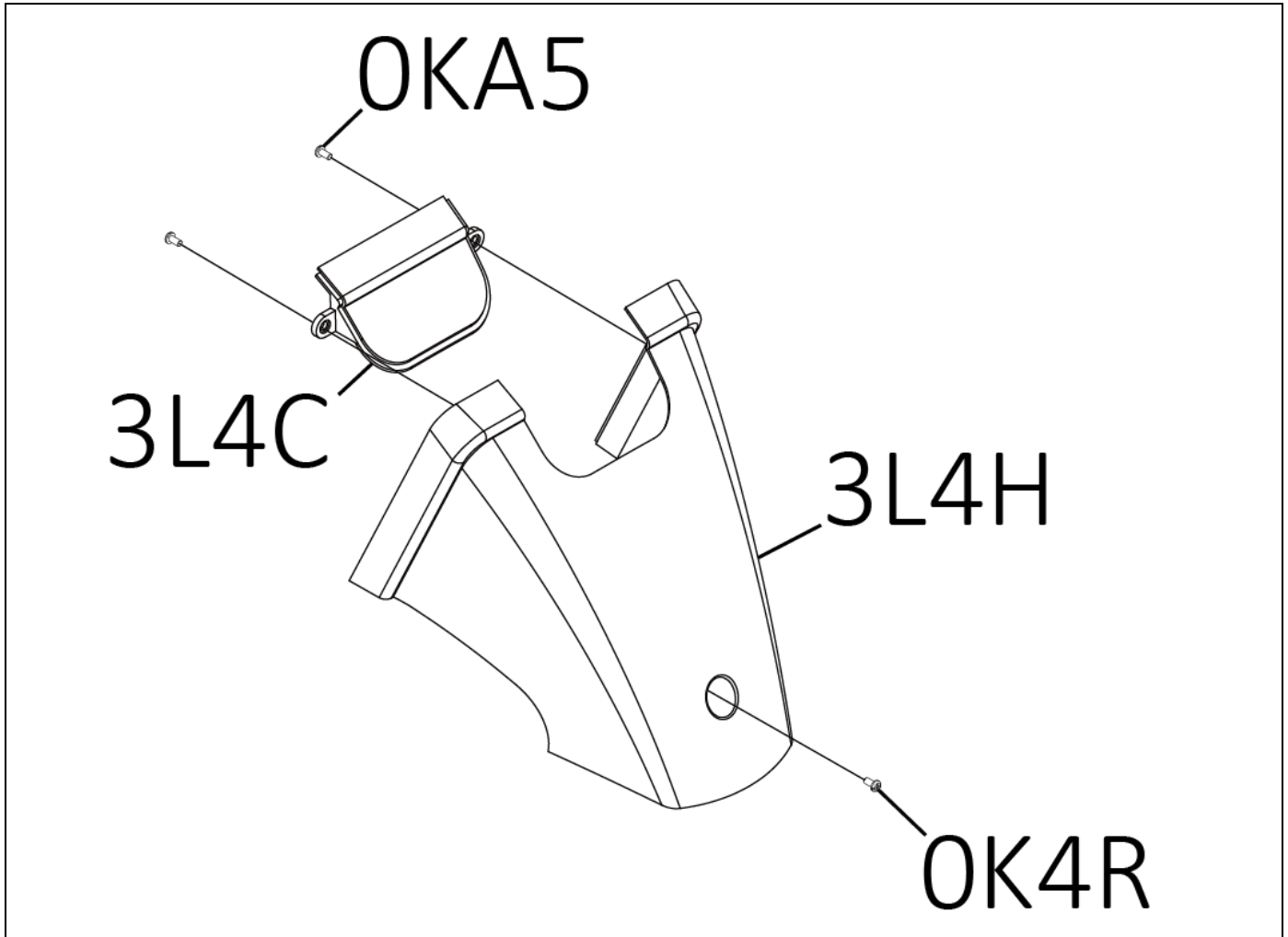
Bill of Material:

Key No:	Vendor Part No.	TRUE Part Number (if applicable)	Description:	Units:	Quantity:
3L43	10K43L43	-	Rear Step Cover		1
3N23	26373EJ7	-	Cr. Re. Truss Hd. Screw M5*0.8-25		4



TRUE FITNESS®

TRUE PART No: 7TS1051 Rear Console Cover Assembly



Bill of Material:

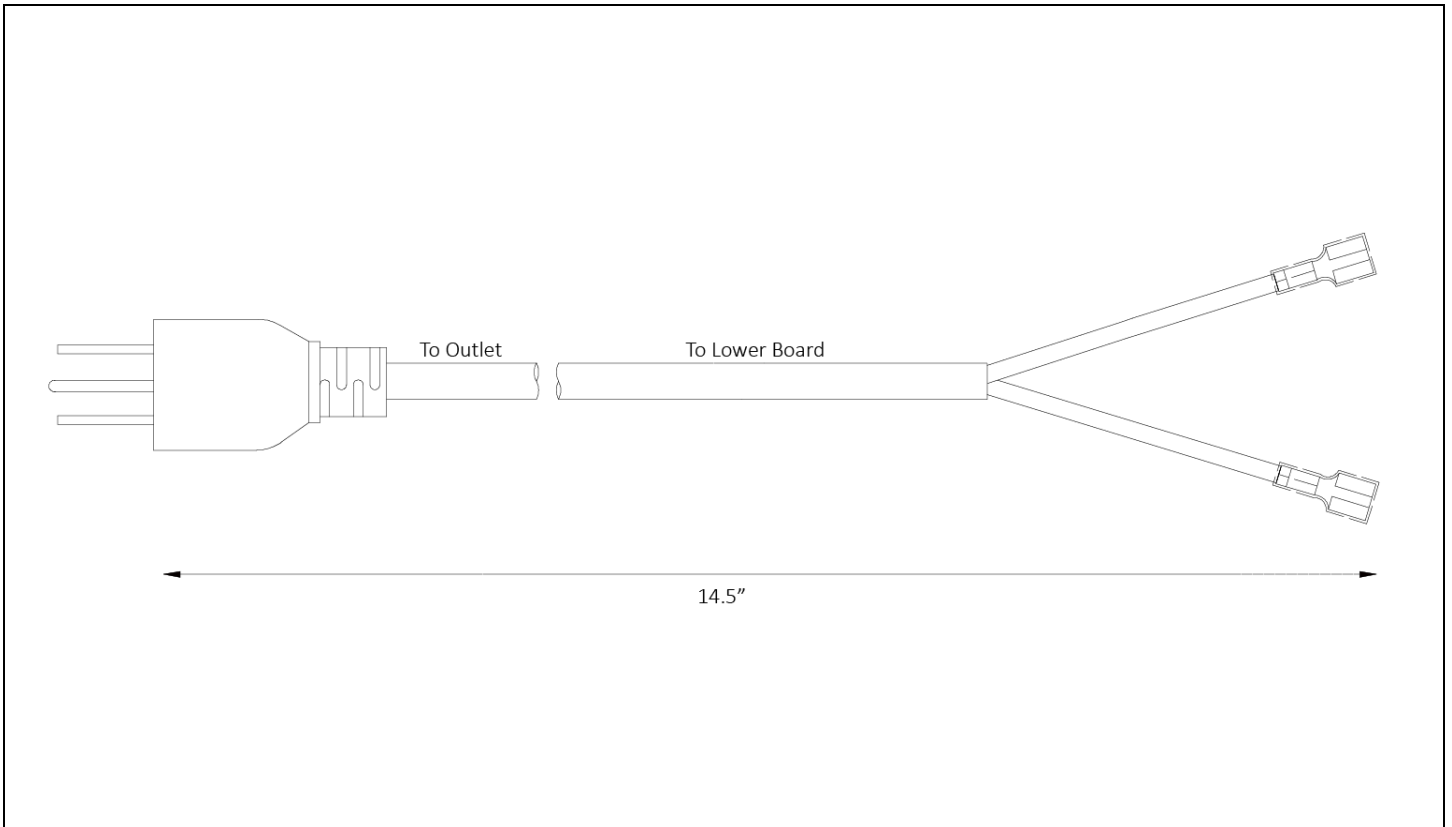
Key No:	Vendor Part No.	TRUE Part Number (if applicable)	Description:	Units:	Quantity:
3L4H	10K43L4H		Rear Console Cover		1
3L4C	10K43L4C		Upper Plate for Rear Console Cover		1
OKAK	2660MZCE10		Cr. Re. Pan Hd. Tapping Screw M4*16-8		2
OK4R	2634BFDA24		Cr. Re. Pan Head Screw M5*0.8-12		1



TRUE FITNESS®

TRUE Part No: **7TS1050**

Power Switch to Lower Board (Male Connection)



Bill of Material:

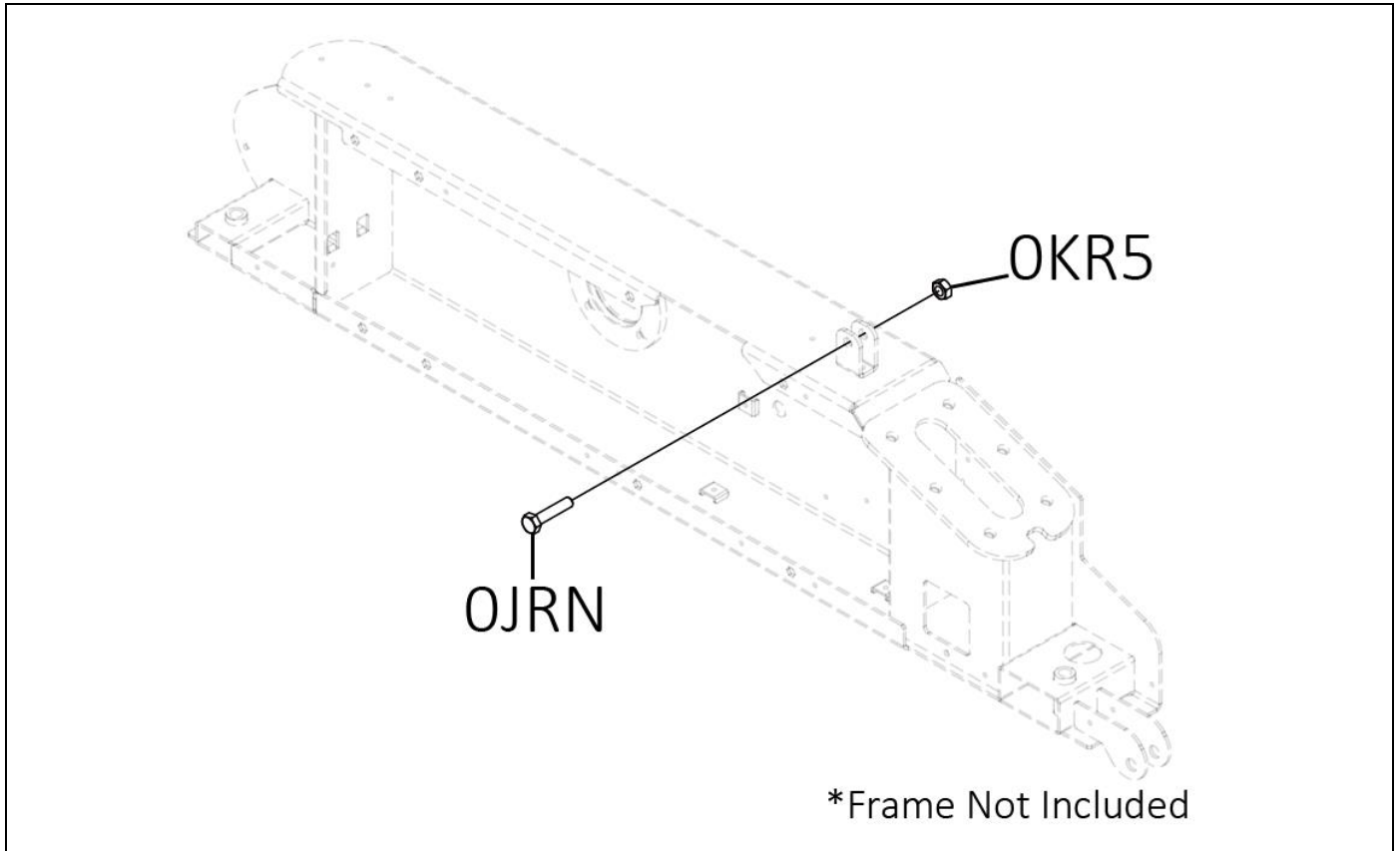
Key No	Vendor Part No.	TRUE Part Number	Description	Qty
3L5M	10K43L5M	7TS1050	Power Switch to Lower Board (Male Connection)	1



TRUE FITNESS®

TRUE PART No: 7TS1049

Pedestal Pivot Hardware Kit (Set of 2)



Bill of Material:

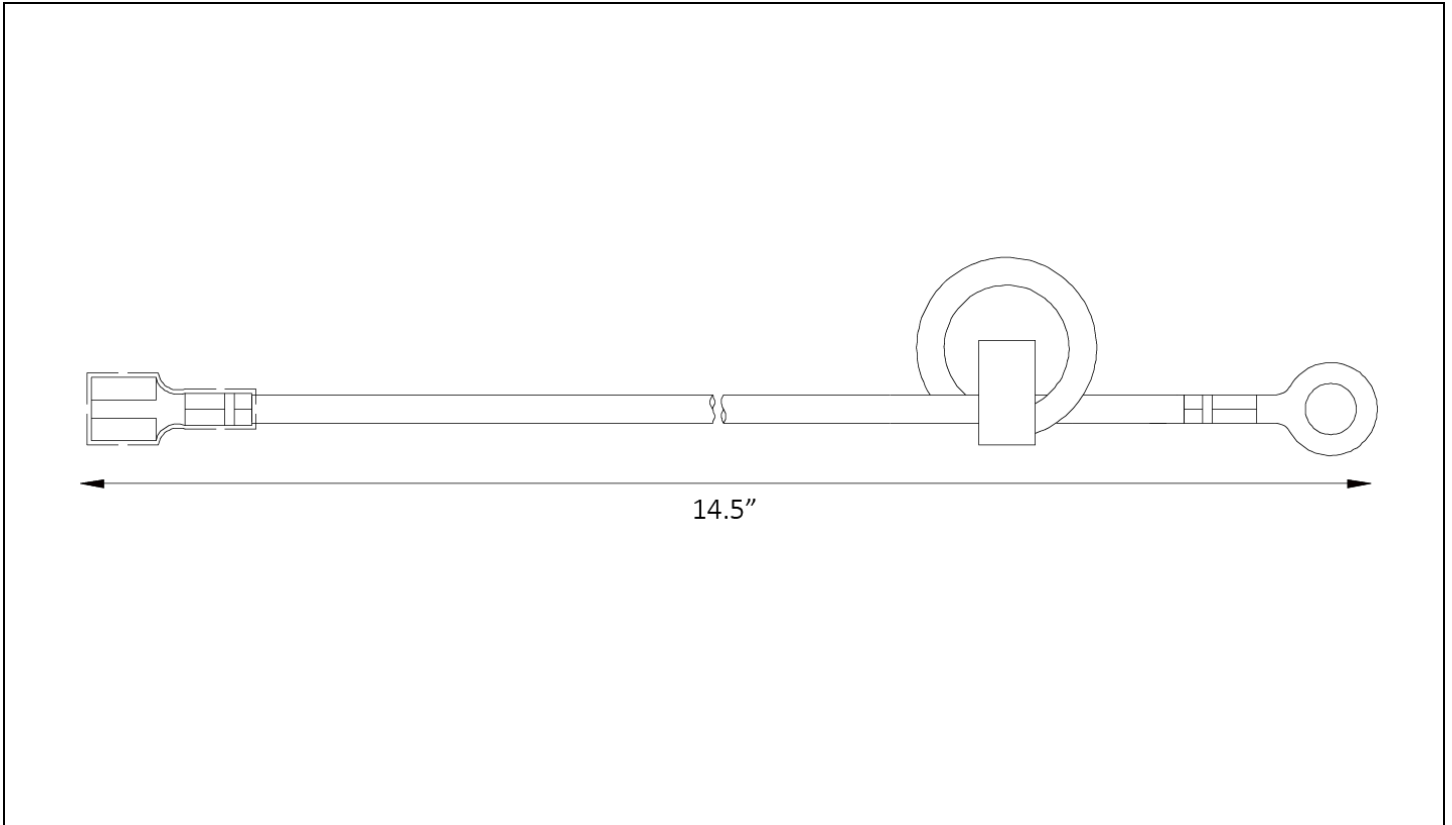
Key No:	Vendor Part No.	TRUE Part Number (if applicable)	Description:	Units:	Quantity:
OJRN	2601BZDA72		Hex. Hd. Bolt M10*1.5-40		2
OKR5	2705FZD110		Nut M4*0.7-2B		2



TRUE FITNESS®

TRUE Part No: **7TS1048**

Power Plate Ground Wire



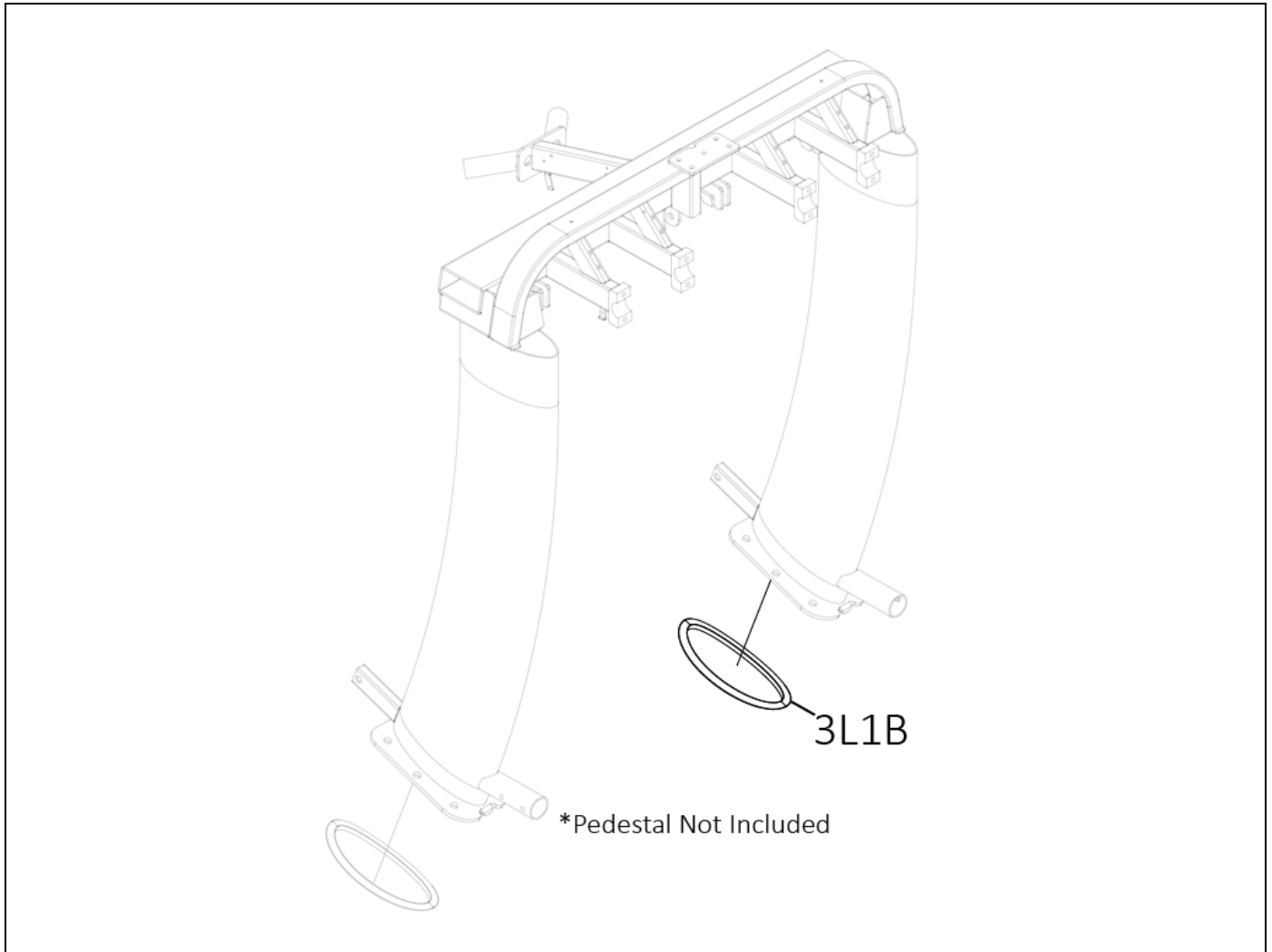
Bill of Material:

Key No	Vendor Part No.	TRUE Part Number	Description	Qty
3LQD	10K43LQD	7TS1048	Power Plate Ground Wire	1



TRUE FITNESS®

TRUE PART No: 7TS1047 Pedestal Gasket



Bill of Material:

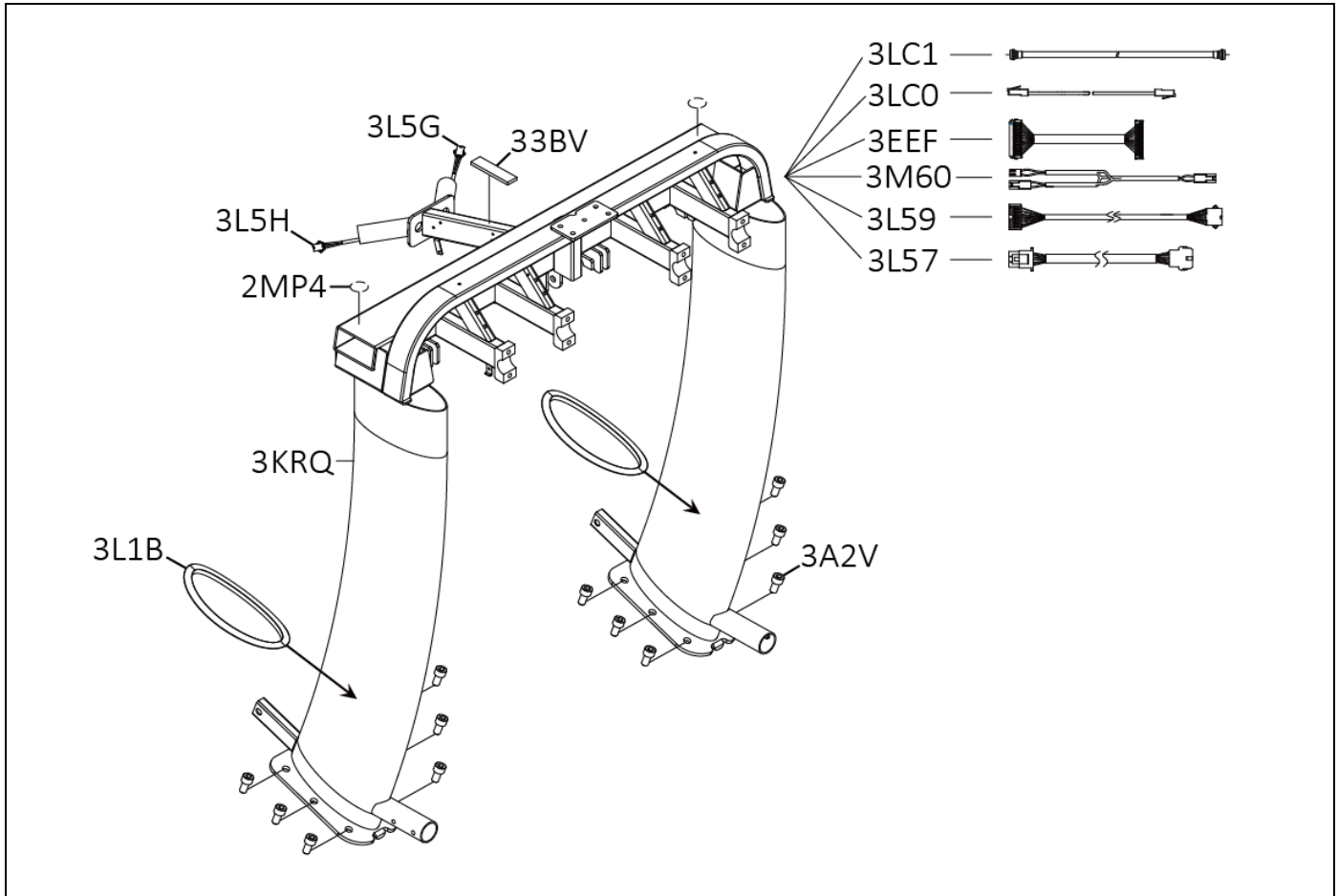
Key No:	Vendor Part No.	TRUE Part Number (if applicable)	Description:	Units:	Quantity:
3L1B	10K43L1B		Pedestal Gasket		1



TRUE FITNESS®

TRUE PART No: 7TS1046

Pedestal Assembly



Bill of Material:

Key No:	Vendor Part No.	TRUE Part Number (if applicable)	Description:	Units:	Quantity:
3KRQ	10K43KRQ		Pedestal		1
3L1B	10K43L1B		Pedestal Gasket		2
3A2V	26023A2V		Hex. Soc. Hd. Cap Bolt M10*1.5-20		12
3L5H	10K43L5H		Right HR Grip Wire		1
3L5G	10K43L5G		Left HR Grip Wire		1
33BV	101D33BV		Shroud Foam		1
2MP4	10D92MP4		Circular Pad		2
3LC1	10K43LC1		Coaxial Cable		1

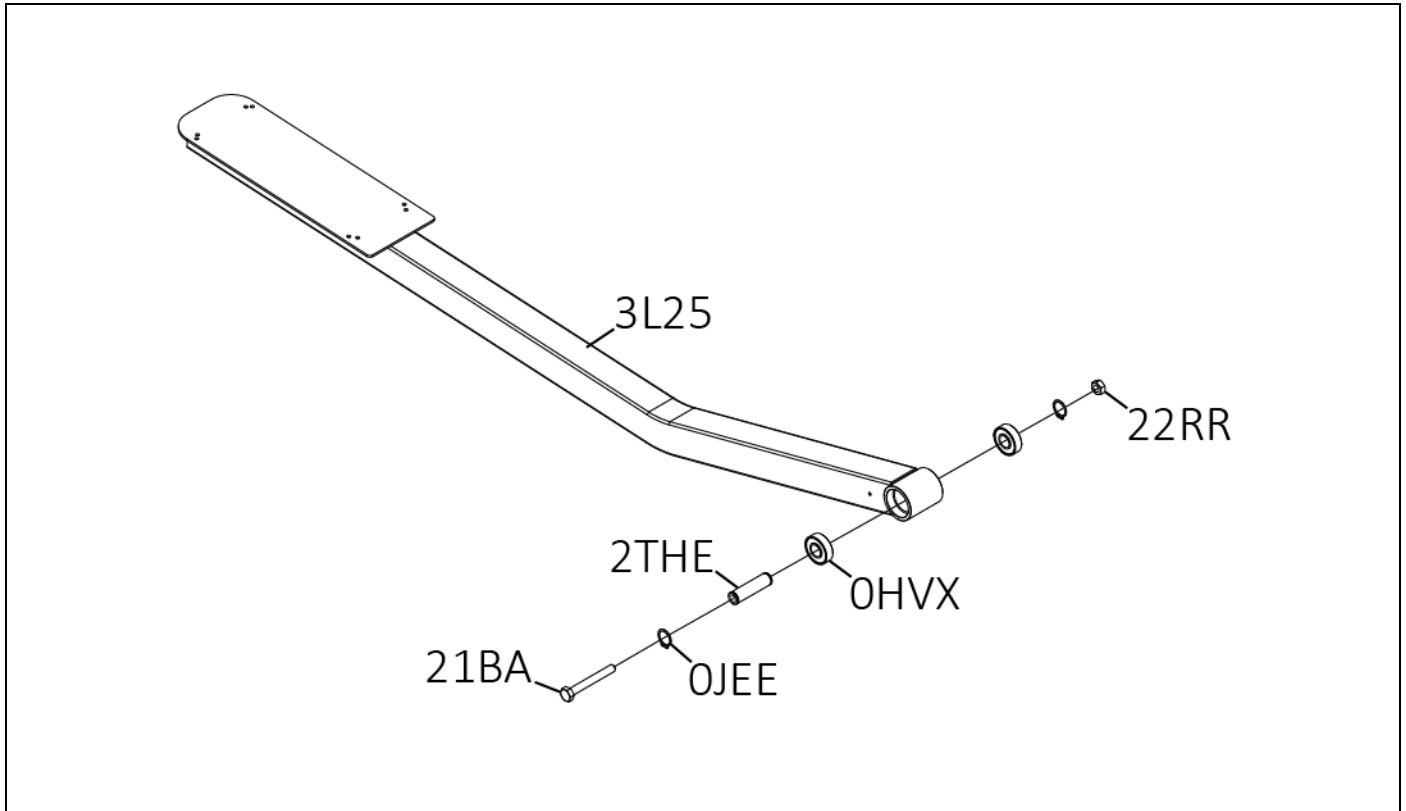
3LC0	10K43LC0		Ethernet Cable	1
3EEF	C1083EEF		50 Pin Cable	1
3M60	10K43M60		DC Power Cable	1
3L59	10K43L59		Main Data Cable (BoB to Lower Board)	1
3L57	10K43L57		Stride Motor Cable	1



TRUE FITNESS[®]

TRUE PART No: 7TS1045

Pedal Tube Assembly



Bill of Material:

Key No:	Vendor Part No.	TRUE Part Number (if applicable)	Description:	Units:	Quantity:
3L25	10K43L25	-	Pedal Tube		1
21BA	260121BA	-	Hex. Hd. Bolt M10*1.5-81.5		1
OJEE	2570BBN117	-	C-Ring		2
2THE	10F12THE	-	Pin		1
OHVX	2001ZZ6203	-	Ball Bearing		2
22RR	270122RR	-	Hex. Nut M10*1.5,T=8 ZINC		1



TRUE FITNESS[®]

TRUE PART No: 7TS1044 Crank Shaft Spacer



Bill of Material:

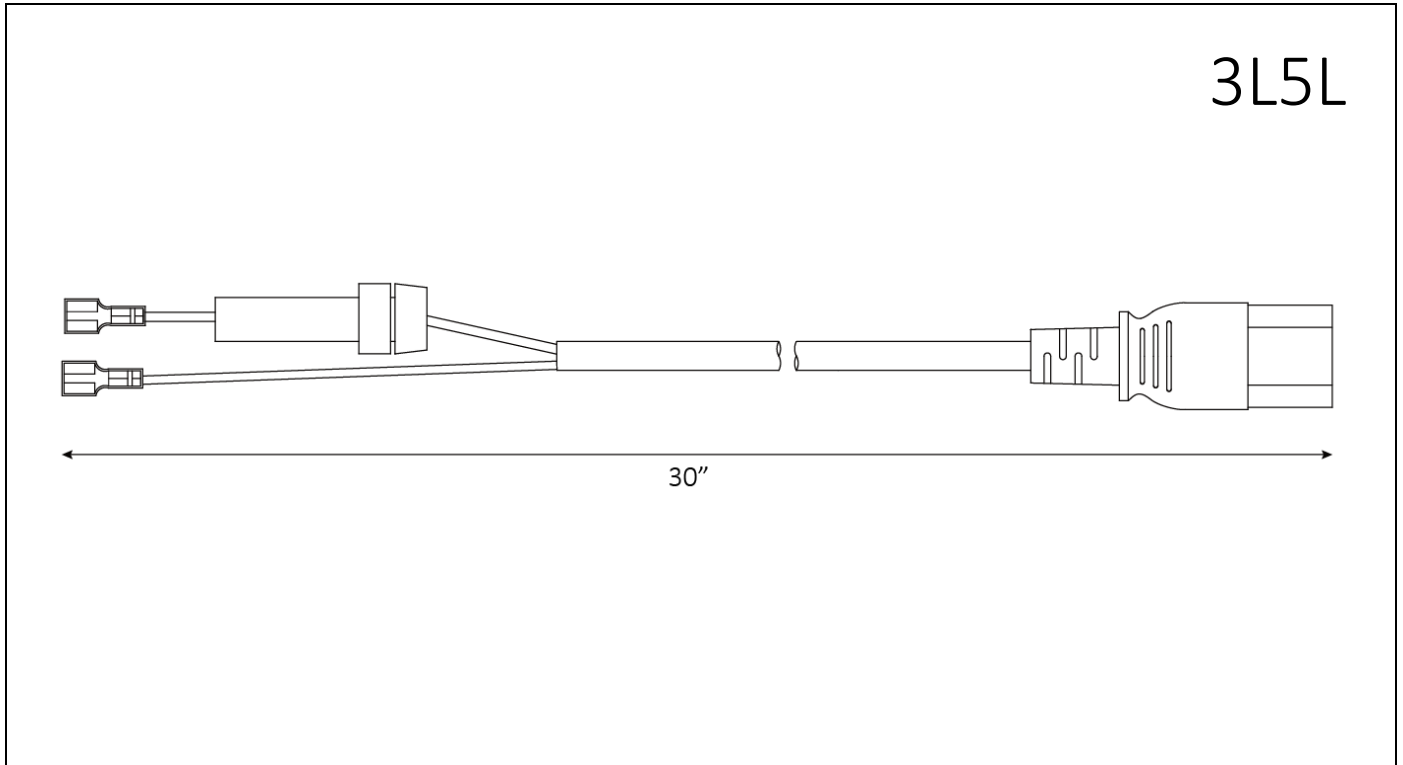
Key No:	Vendor Part No.	TRUE Part Number (if applicable)	Description:	Units:	Quantity:
2TED	10F12TED	-	Crank Shaft Spacer		1



TRUE FITNESS[®]

TRUE PART No: 7TS1043

Mid AC Switch to Lower Board Female Connection



Bill of Material:

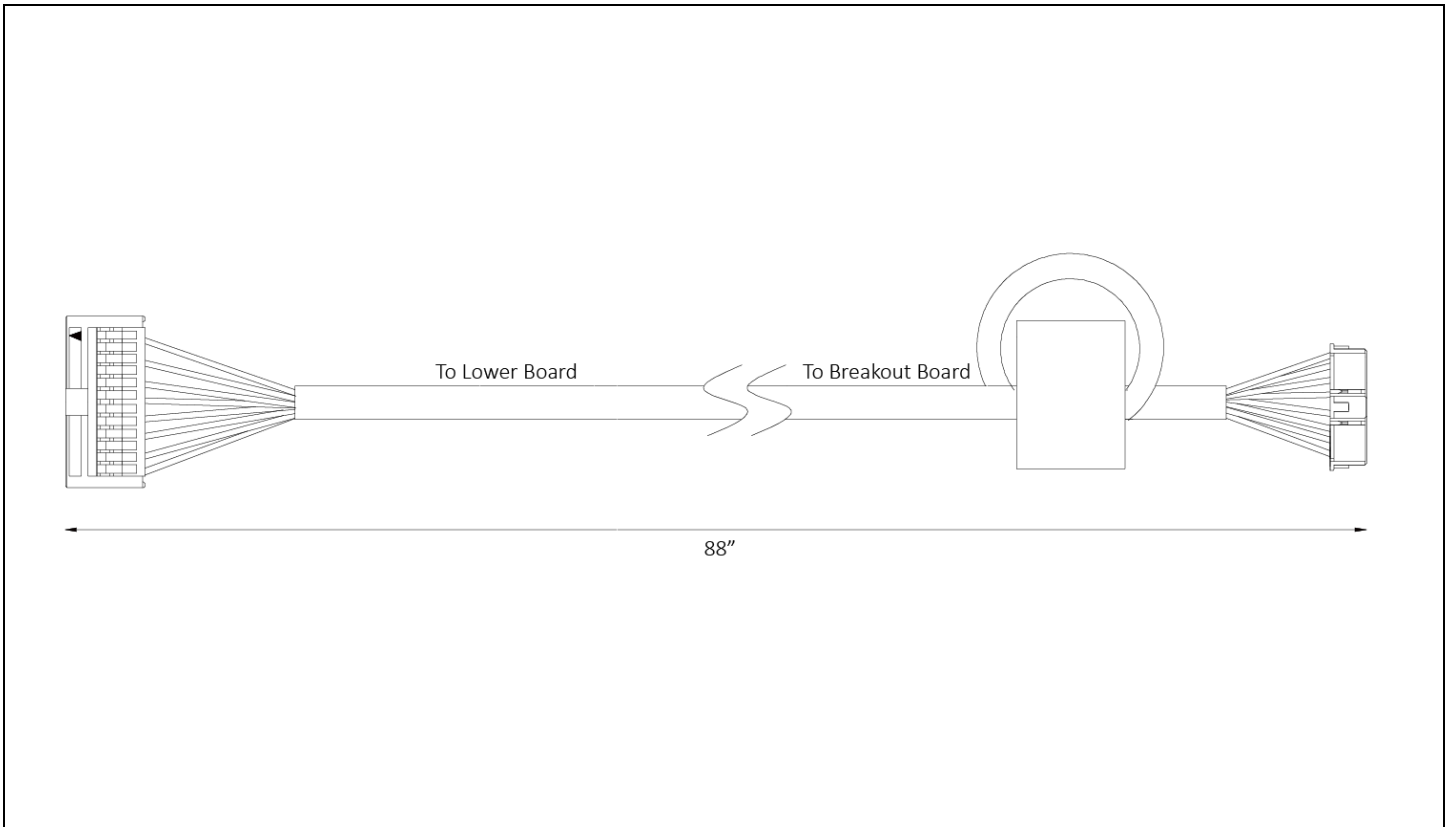
Key No:	Vendor Part No.	TRUE Part Number (if applicable)	Description:	Units:	Quantity:
3L5L	10K43L5L		Mid AC Switch to Lower Board Female Connection		1



TRUE FITNESS®

TRUE Part No: **7TS1042**

Main Data Cable



Bill of Material:

Key No	Vendor Part No.	TRUE Part Number	Description	Qty
3L59	10K43L59	7TS1042	Main Data Cable	1

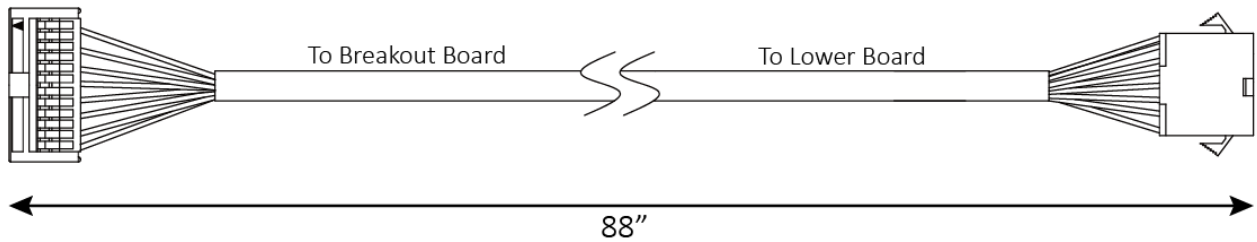


TRUE FITNESS[®]

TRUE PART No: 7TS1042

Main Data Cable (BoB to Lower Board)

3L59



Bill of Material:

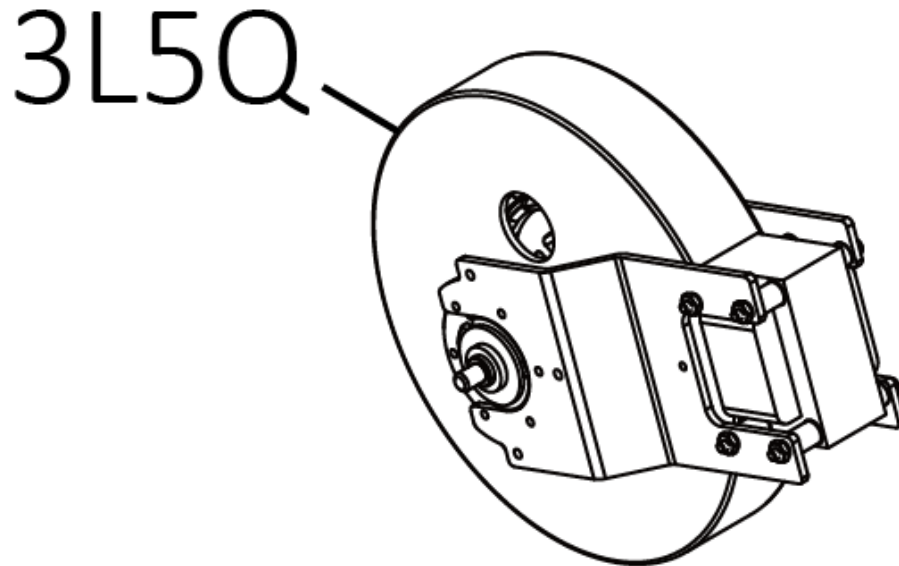
Key No:	Vendor Part No.	TRUE Part Number (if applicable)	Description:	Units:	Quantity:
3L59	10K43L59		Main Data Cable (BoB to Lower Board)		1



TRUE FITNESS[®]

TRUE PART No: 7TS1041

Magnetic Brake



Bill of Material:

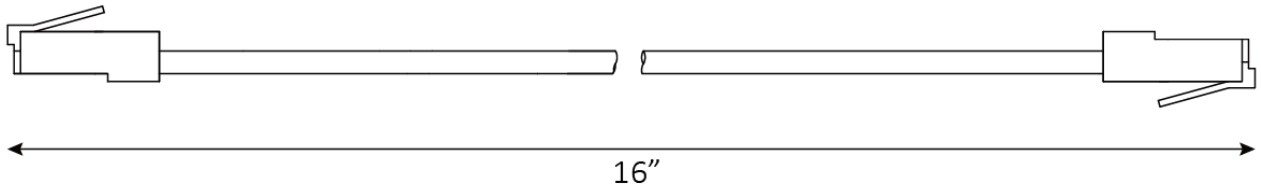
Key No:	Vendor Part No.	TRUE Part Number (if applicable)	Description:	Units:	Quantity:
3L5Q	10K43L5Q		Magnetic Brake		1



TRUE FITNESS[®]

TRUE PART No: 7TS1039 Lower Ethernet Cable

3LBZ



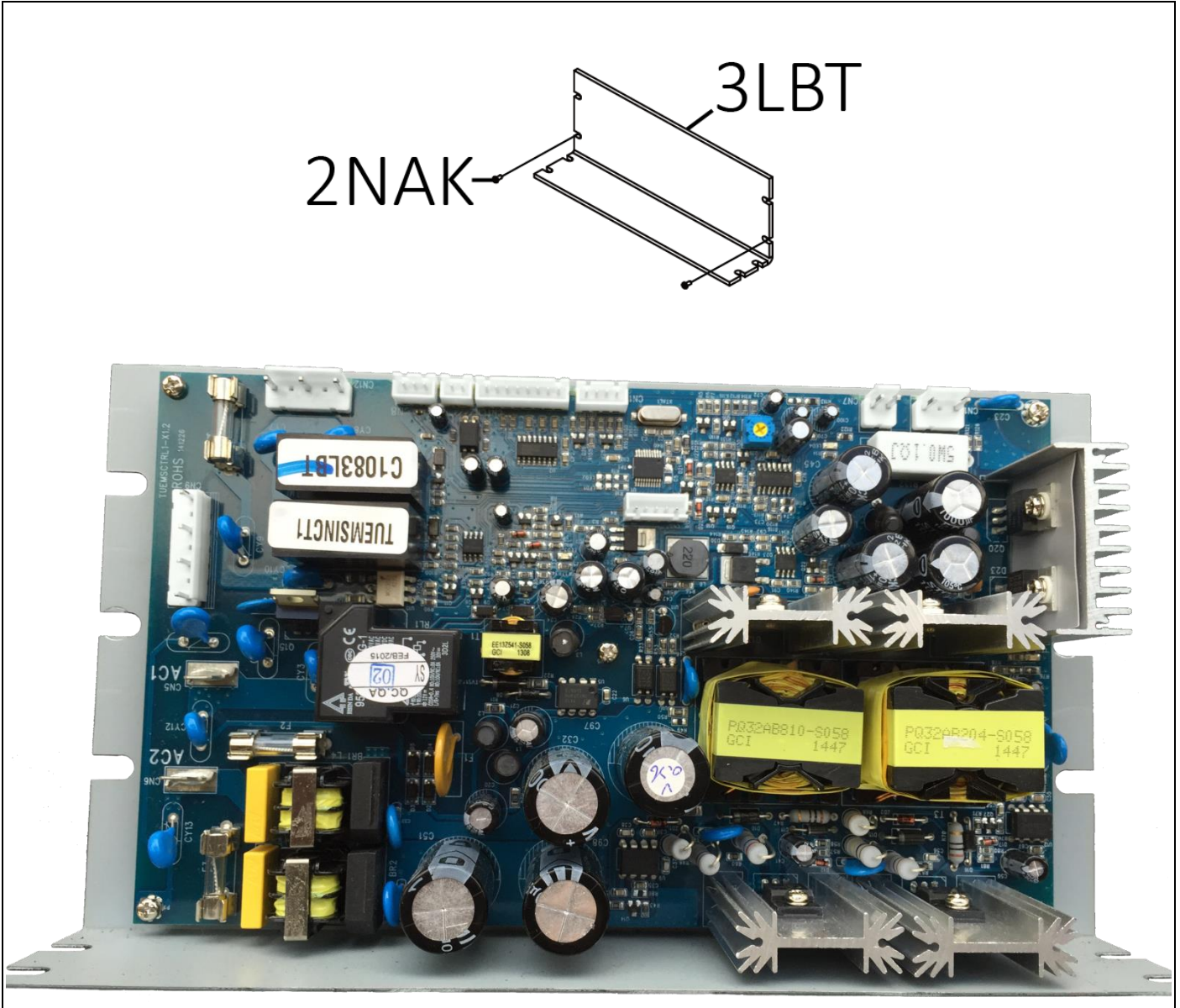
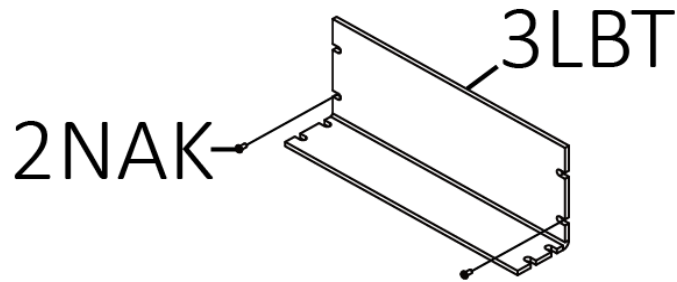
Bill of Material:

Key No:	Vendor Part No.	TRUE Part Number (if applicable)	Description:	Units:	Quantity:
3LBZ	10K43LBZ		Lower Ethernet Cable		1



TRUE FITNESS®

TRUE PART No: 70604900 Lower Control Board Assembly



Bill of Material:

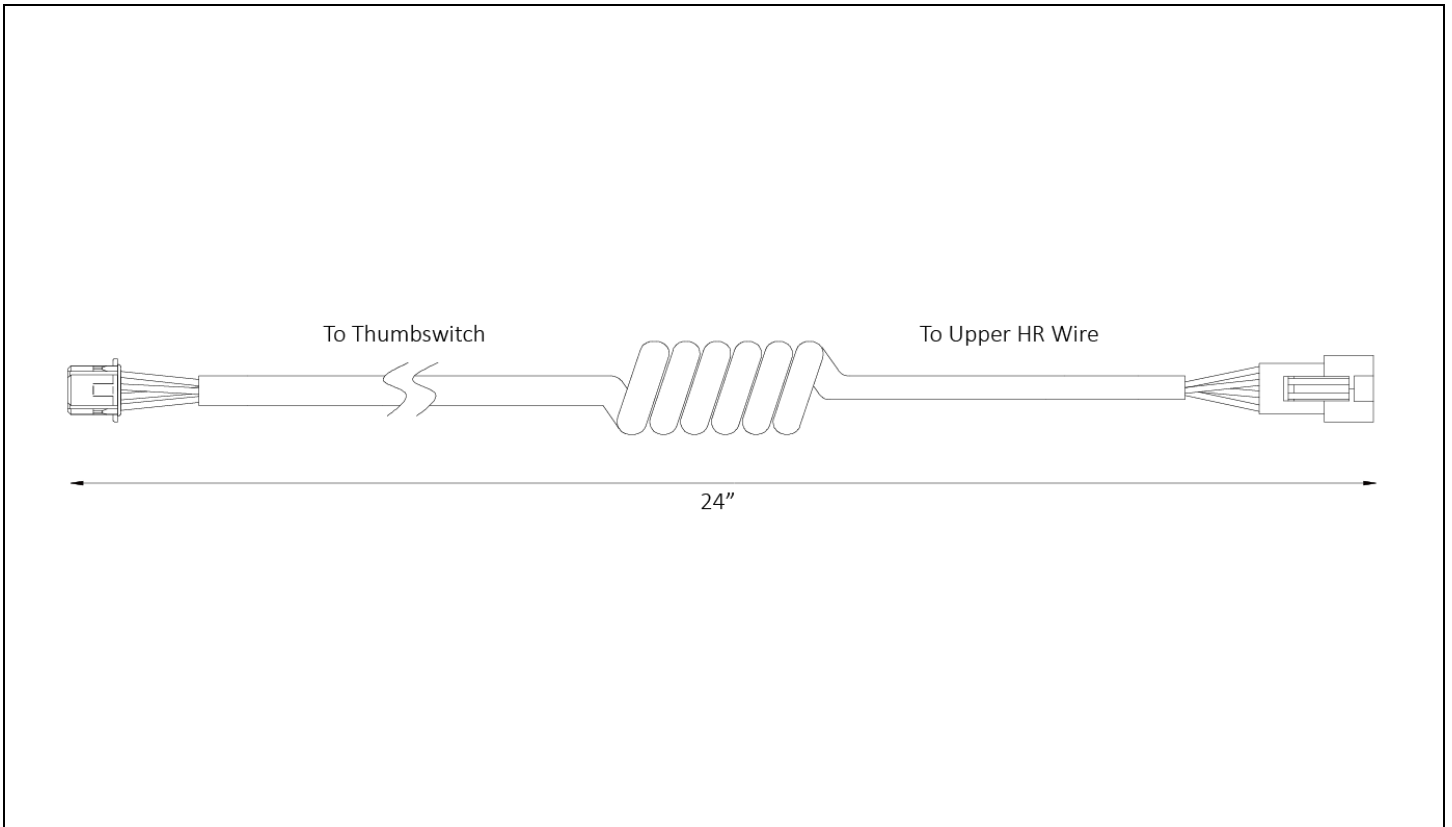
Key No:	Vendor Part No.	TRUE Part Number (if applicable)	Description:	Units:	Quantity:
3LBT	C1083LBT		Lower Control Board		1
2NAK	26682NAK		Cr. Re. Pan Hd. Screw		2



TRUE FITNESS®

TRUE Part No: **7TS1036**

Left Thumbswitch/HR Cable



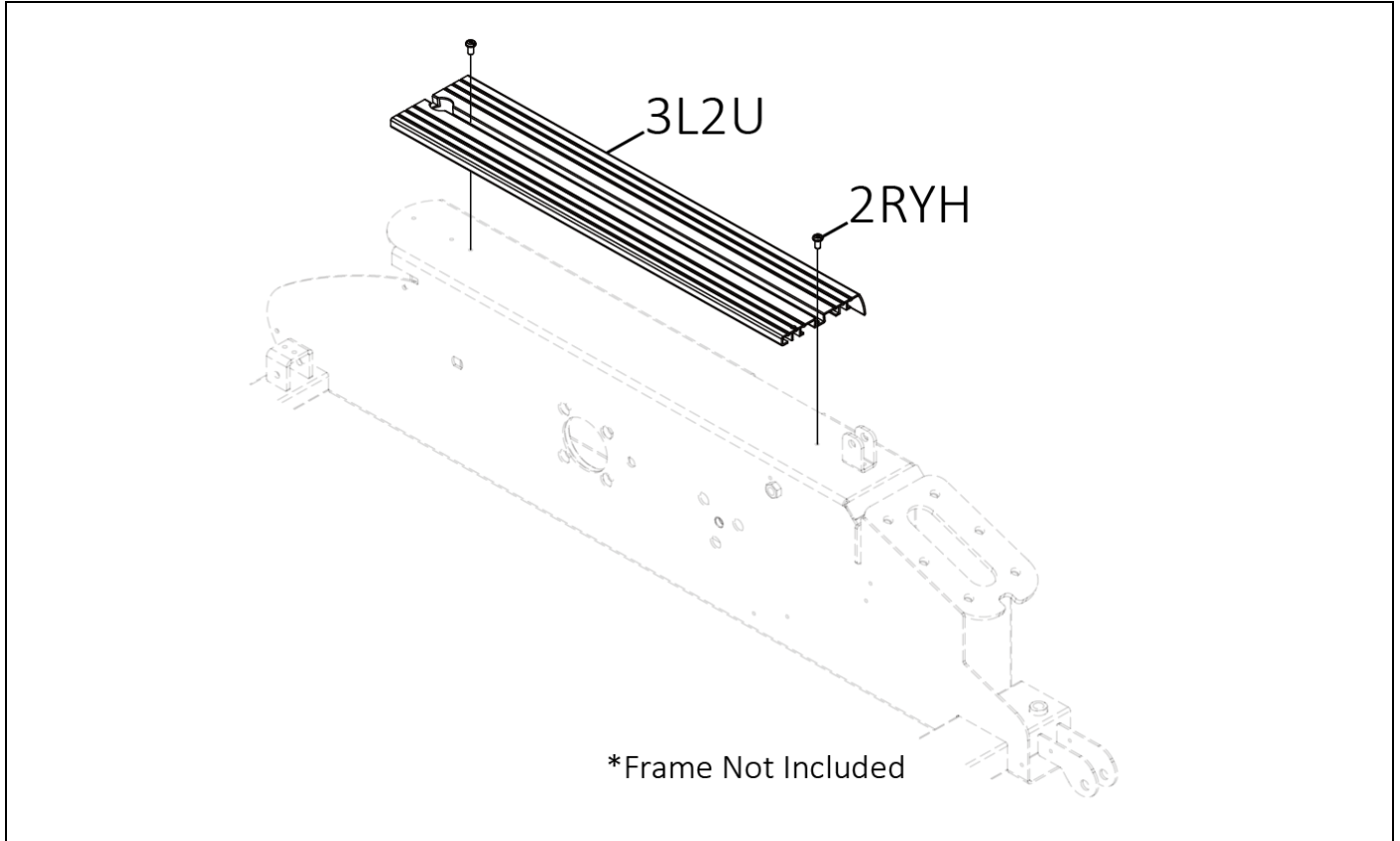
Bill of Material:

Key No	Vendor Part No.	TRUE Part Number	Description	Qty
3L5U	10K43L5U	7TS1036	Left Thumbswitch/HR Cable	1



TRUE FITNESS®

TRUE PART No: 7TS1035 Left Straddle Cover Assembly



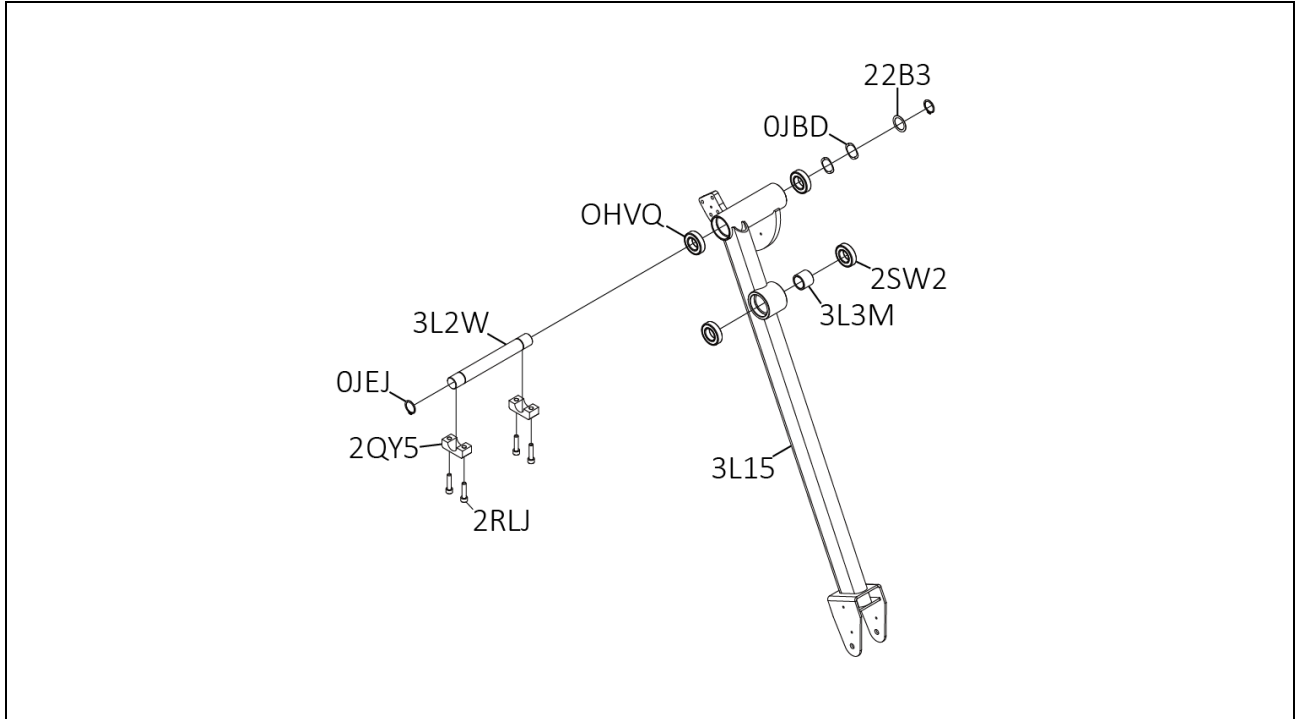
Bill of Material:

Key No:	Vendor Part No.	TRUE Part Number (if applicable)	Description:	Units:	Quantity:
3L2U	10K43L2U		Left Straddle Cover		1
2RYH	26682RYH		Cr. Re. Pan Hd. Screw M5*0.8-12		2



TRUE FITNESS®

TRUE PART No: 7TS1034 Left Rocker Arm Assembly



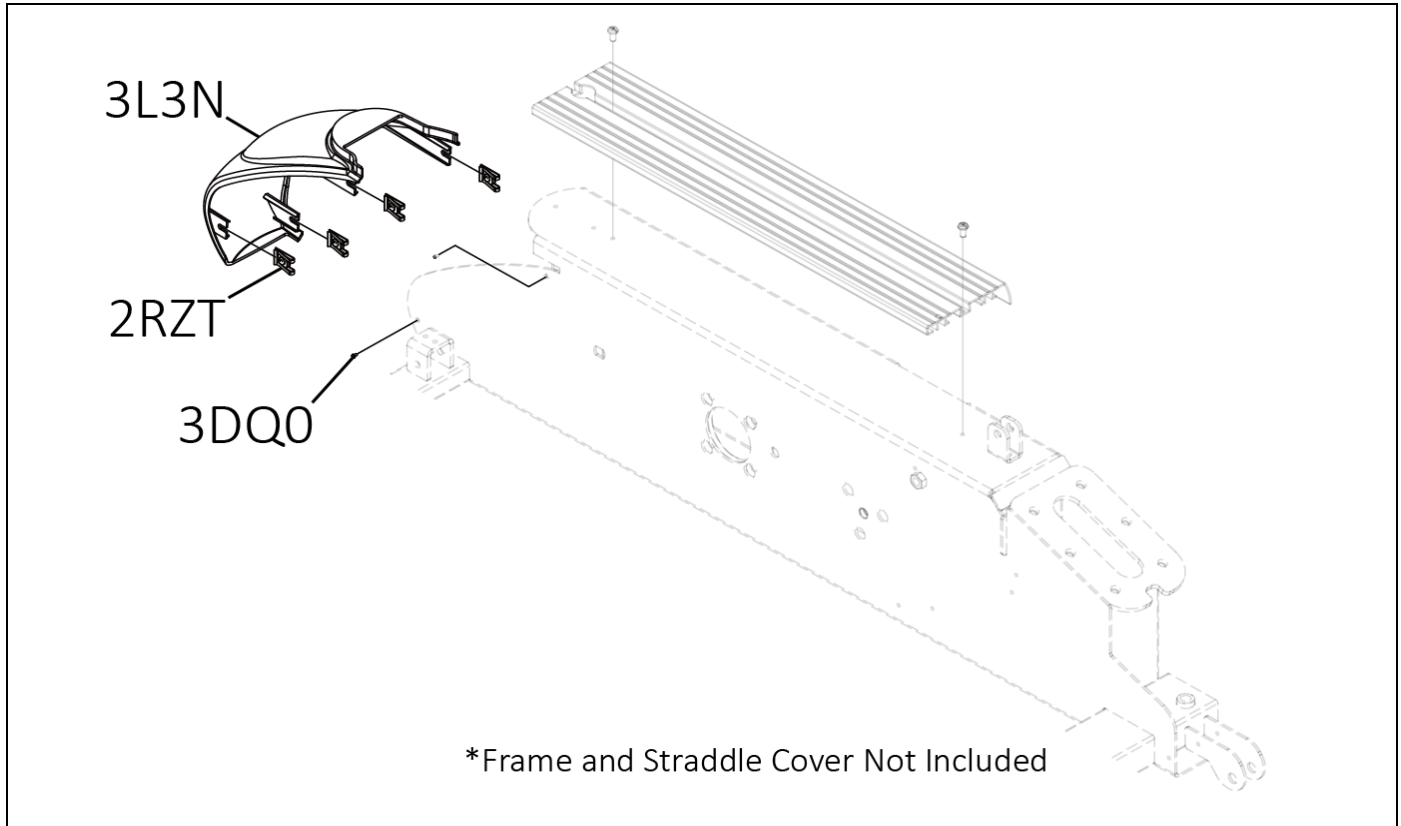
Bill of Material:

Key No:	Vendor Part No.	TRUE Part Number (if applicable)	Description:	Units:	Quantity:
3L15	10K43L15		Left Rocker Arm		1
2SW2	20012SW2		Ball Bearing 6005ZZ SKF		2
3L3M	10K43L3M		Collar		1
22B3	110822B3		Washer $\Phi 26 \times 35 - 0.8$		1
OJBD	2506MBN695		Wave Washer		2
OHVQ	2001ZZ6005		Ball Bearing 6005ZZ TPI		2
3L2W	10K43L2W		Rocker Arm Shaft		1
OJEJ	2570BBN125		C-Ring A-25		2
2QY5	10F12QY5		Rocker Arm Shaft Plunger Housing		2
2RLJ	26022RLJ		Hex. Soc. Hd. Cap Bolt M8*1.25-35		4



TRUE FITNESS®

TRUE PART No: 7TS1033 Left Rear Cover Assembly



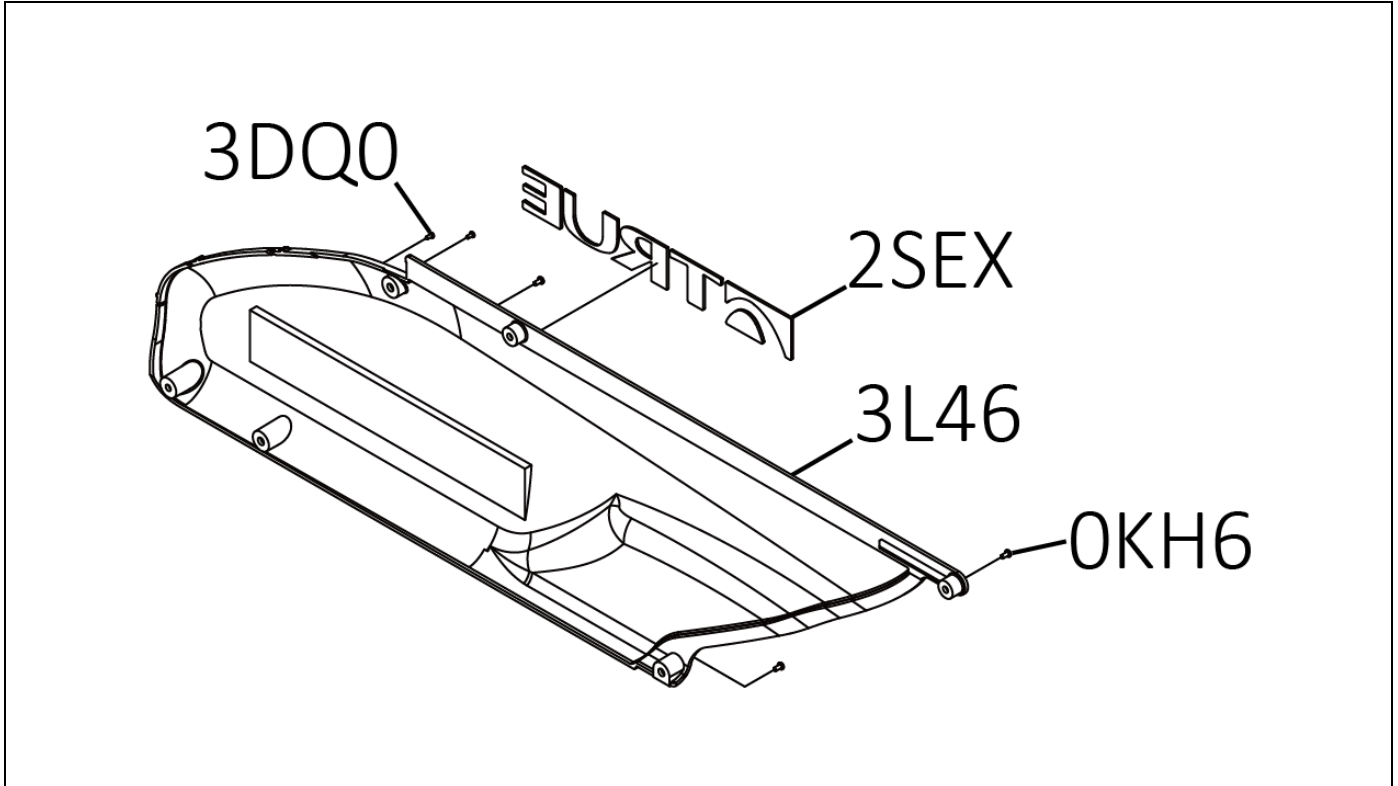
Bill of Material:

Key No:	Vendor Part No.	TRUE Part Number (if applicable)	Description:	Units:	Quantity:
3L3N	10K43L3N		Left Rear Cover		1
2RZT	27072RZT		"U" Nut M4*0.7-2B		4
3DQ0	26533DQ0		Cr. Re. Truss Hd. Tapping Screw		2



TRUE FITNESS®

TRUE PART No: 7TS1032 Left Outer Rear Shroud Assembly



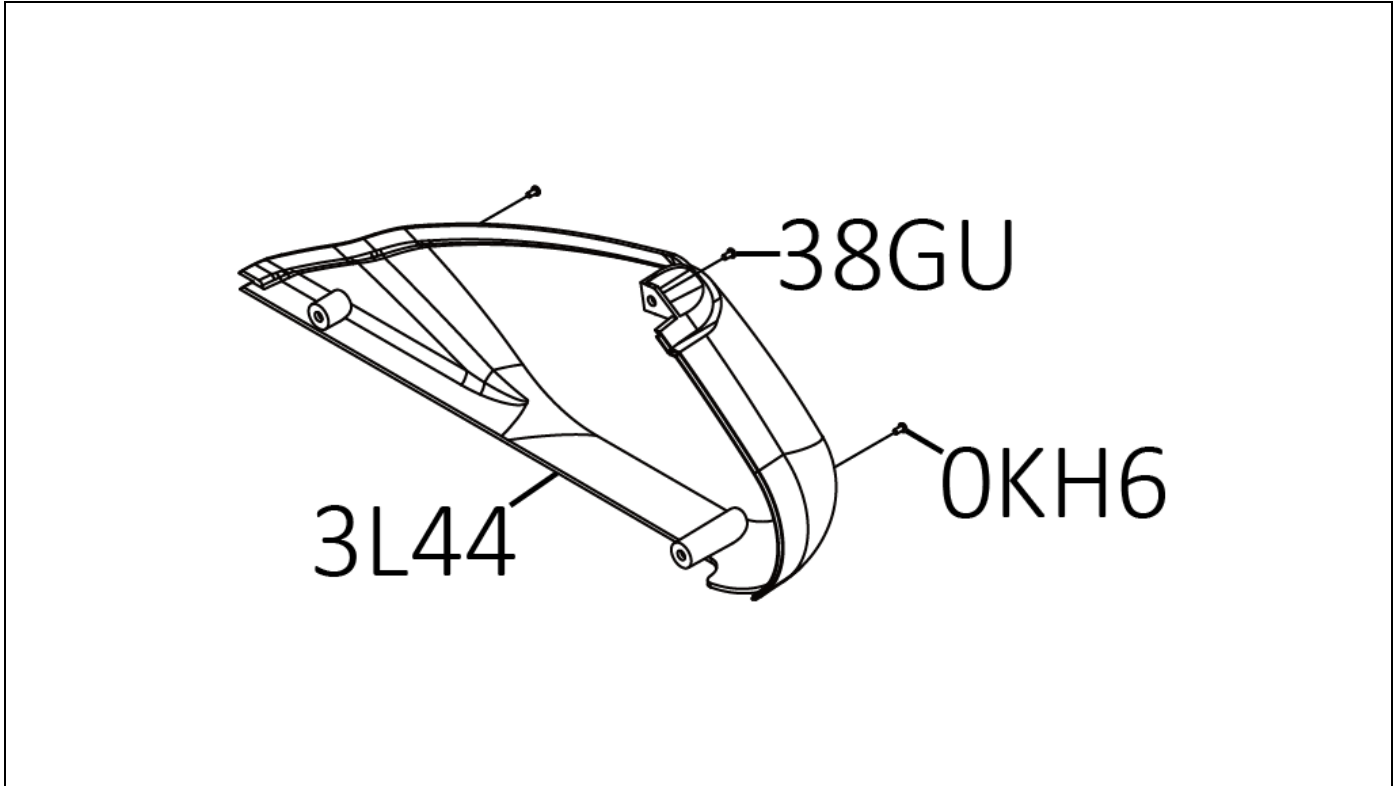
Bill of Material:

Key No:	Vendor Part No.	TRUE Part Number (if applicable)	Description:	Units:	Quantity:
3DQ0	26533DQ0		Cr. Re. Truss Hd. Tapping Screw M4*16-15		4
2SEX	10F12SEX		Silver TRUE Decal		1
3L46	10K43L46		Left Outer Rear Shroud		1
OKH6	2669BNFA24		Cr. Re. Pan Hd. Screw M5*0.8-12		1



TRUE FITNESS®

TRUE PART No: 7TS1031 Left Outer Front Shroud Assembly



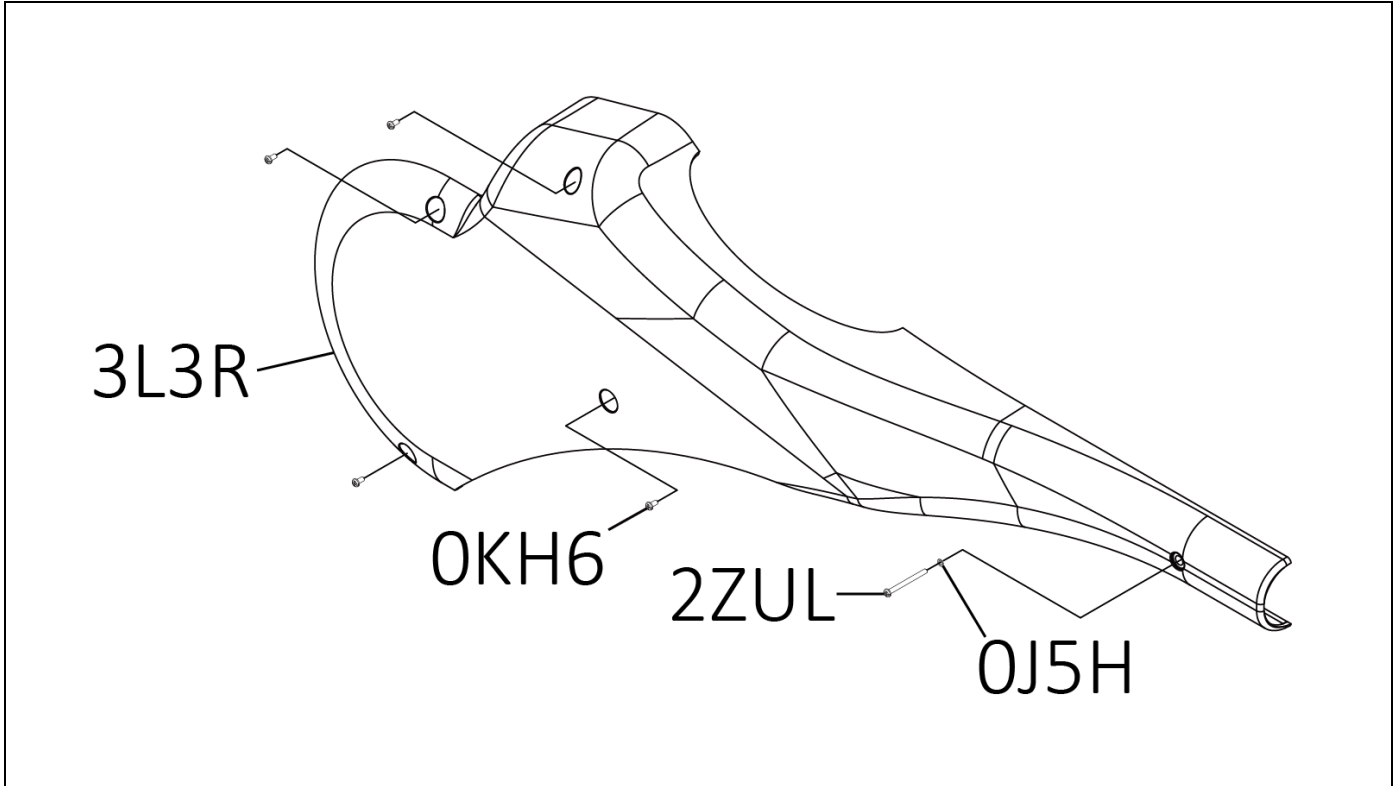
Bill of Material:

Key No:	Vendor Part No.	TRUE Part Number (if applicable)	Description:	Units:	Quantity:
3L44	10K43L44		Left Outer Front Shroud		1
38GU	266138GU		Cr. Re. Truss Hd. Tapping Screw M4*16-16		1
OKH6	2669BNFA24		Cr. Re. Pan Hd. Screw M5*0.8-12		2



TRUE FITNESS[®]

TRUE PART No: 7TS1030 Left Inner Middle Shroud Assembly



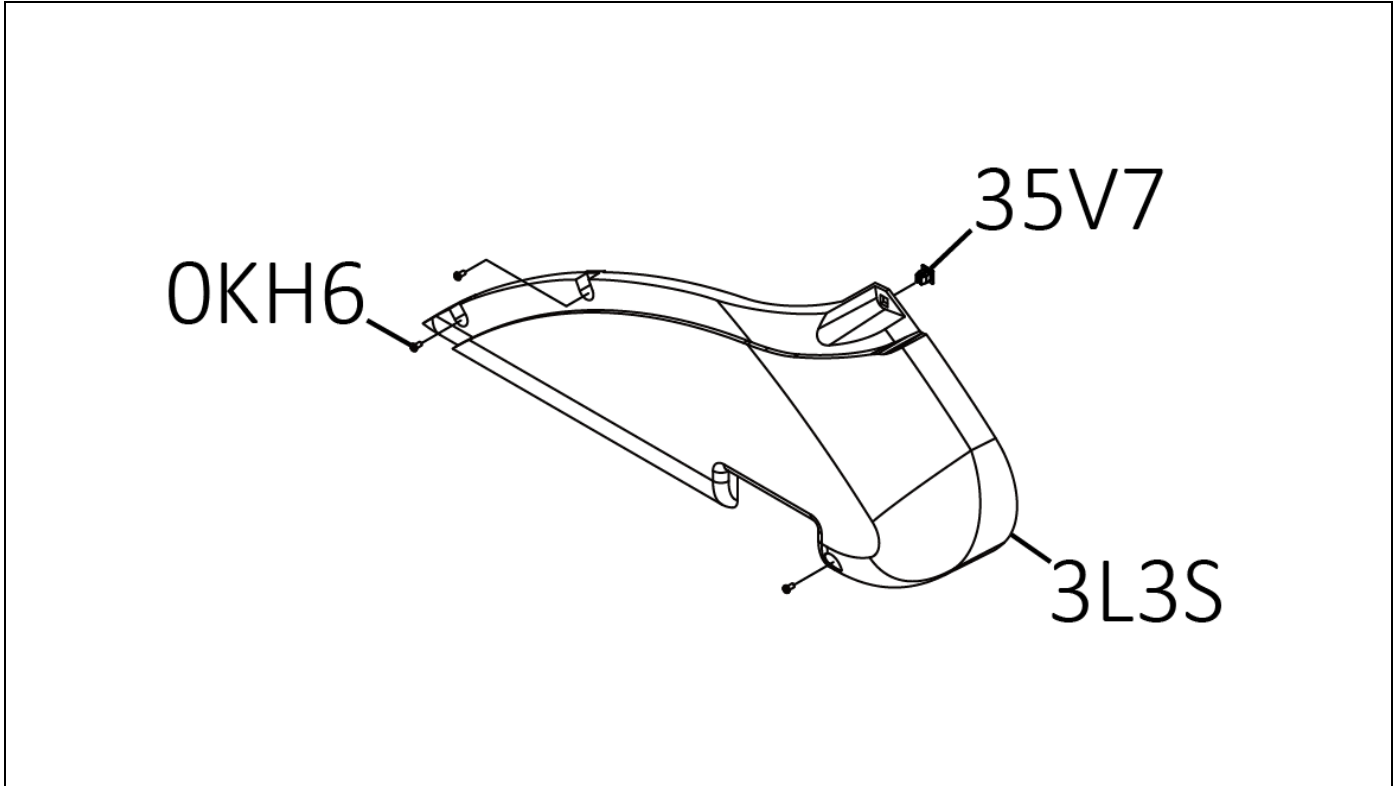
Bill of Material:

Key No:	Vendor Part No.	TRUE Part Number (if applicable)	Description:	Units:	Quantity:
3L3R	10K43L3R		Left Inner Middle Shroud		1
OKH6	2669BNFA24		Cr. Re. Pan Hd. Screw M5*0.8-12		4
2ZUL	26682ZUL		Cr. Re. Pan Hd. Screw M5X0.8-50		1
0J5H			Washer		1



TRUE FITNESS[®]

TRUE PART No: 7TS1029 Left Inner Front Shroud Assembly



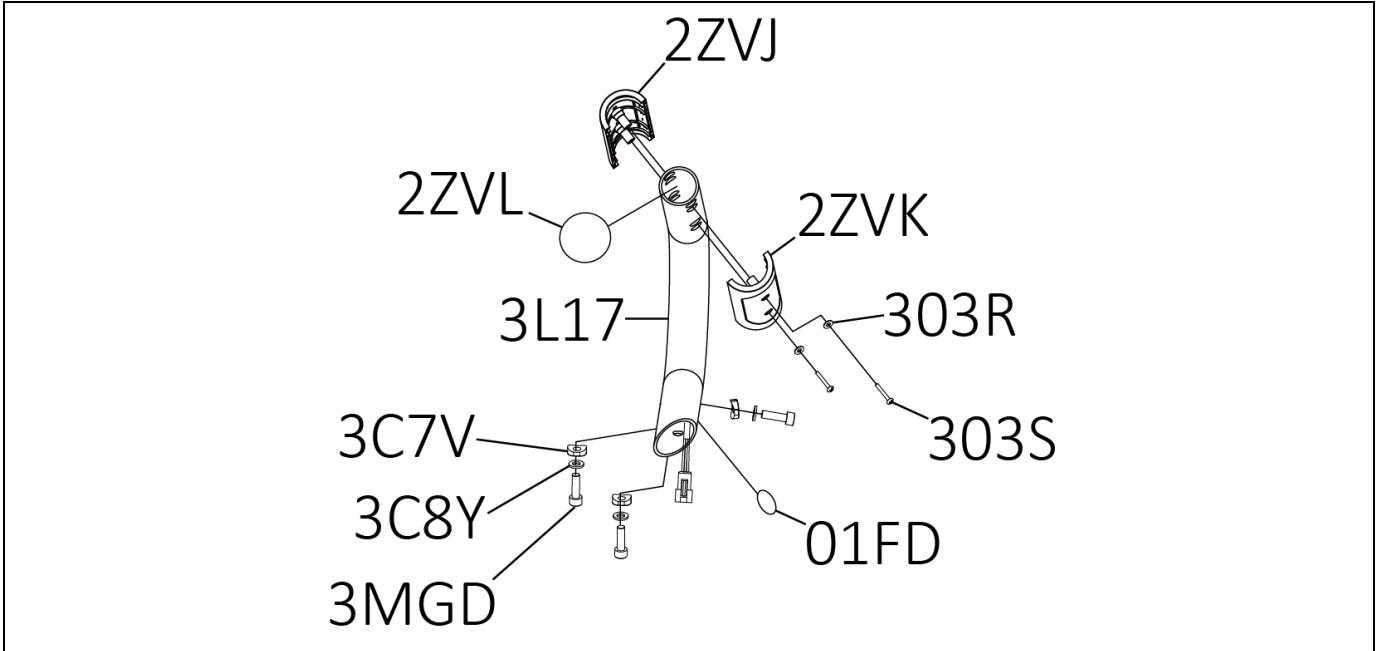
Bill of Material:

Key No:	Vendor Part No.	TRUE Part Number (if applicable)	Description:	Units:	Quantity:
3L3S	10K43L3S		Left Inner Front Shroud		1
OKH6	2669BNFA24		Cr. Re. Pan Hd. Screw M5*0.8-12		3
35V7	10H635V7		Clip		1



TRUE FITNESS®

TRUE PART No: 7TS1028 Left Handlebar Grip Assembly



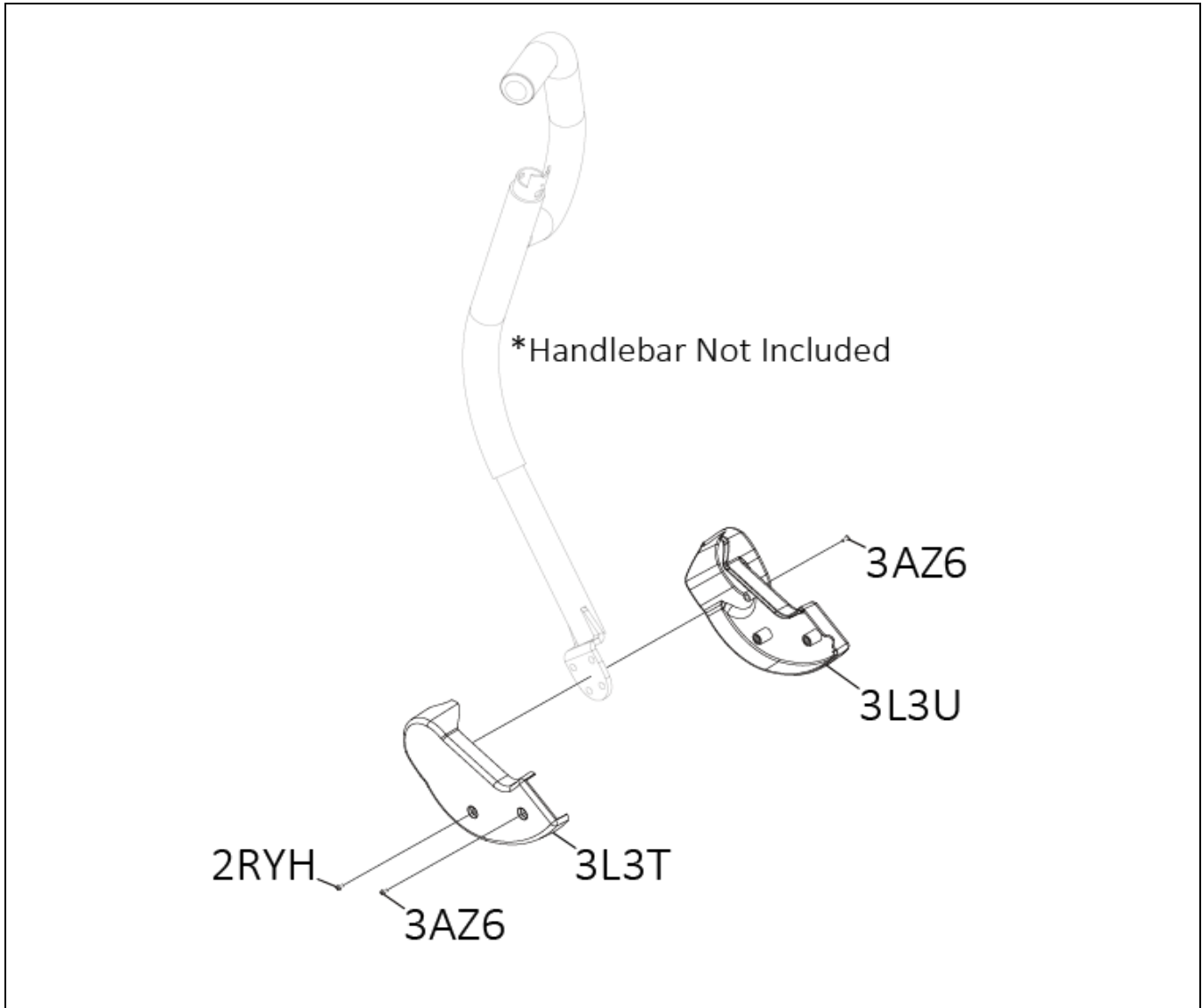
Bill of Material:

Key No:	Vendor Part No.	TRUE Part Number (if applicable)	Description:	Units:	Quantity:
3L17	10K43L17		Left Handlebar Grip		1
3MGD	26023MGD		Hex. Soc. Hd. Cap Bolt M6*1.0-20		3
3C8Y	25013C8Y		Flat Washer $\Phi 6*12-1.5$		3
3L5W	10K43L5W		HR Wire		1
2ZVJ	10F12ZVJ		Upper HR Grip Plastic		1
2ZVI	10K43L1E		HR End Cap		1
2ZVK	10F12ZVK		Lower HR Grip Plastic		1
303R	2502303R		Spring Washer $\Phi 3$		2
303S	2637303S		Cr. Re. Truss Hd. Screw M3*0.5-25		2
3C7V			Spacer		3
01FD	1A409601		Sticker		1



TRUE FITNESS®

TRUE PART No: 7TS1027 Left Handlebar Cover Assembly (Set)



Bill of Material:

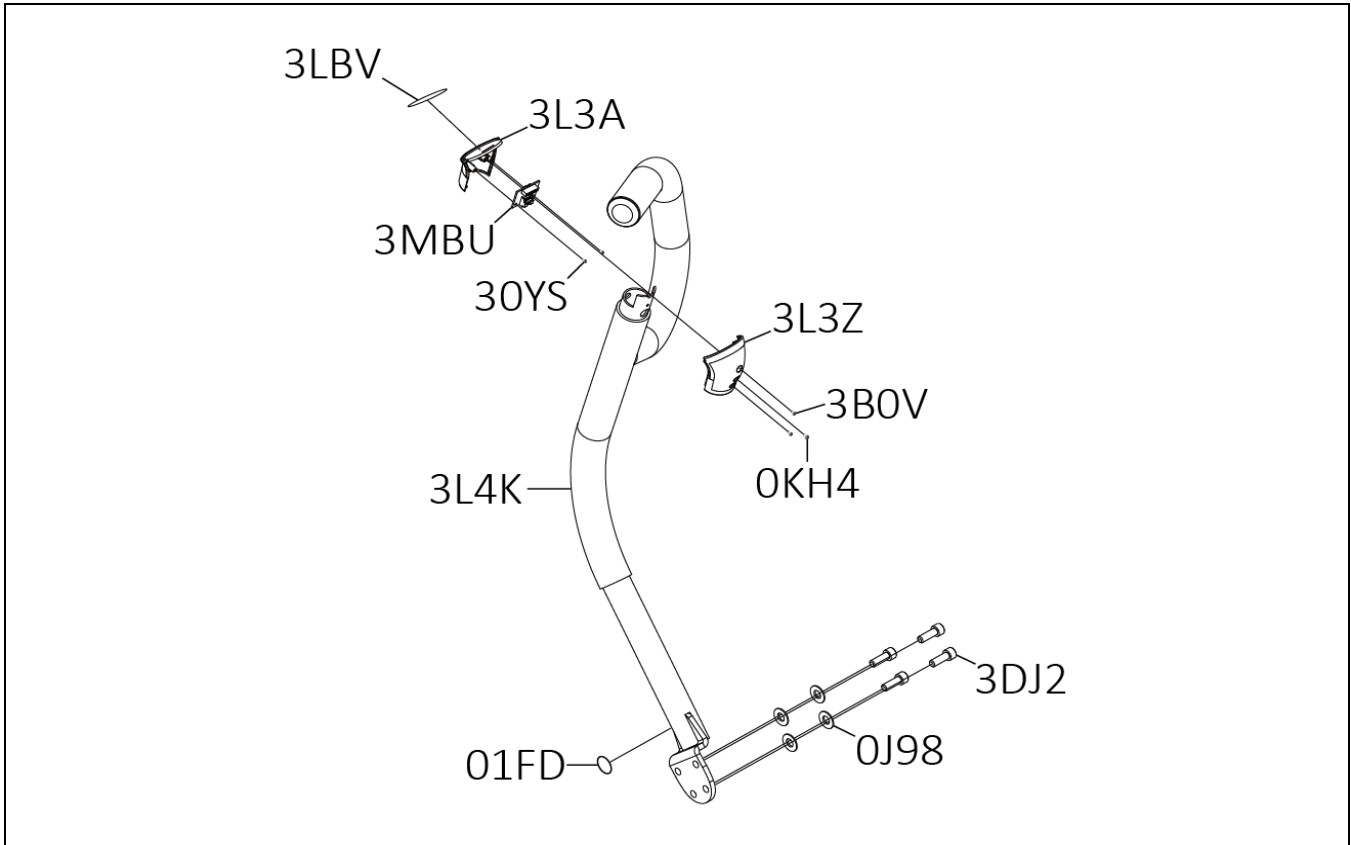
Key No:	Vendor Part No.	TRUE Part Number (if applicable)	Description:	Units:	Quantity:
3L3T	10K43L3T		Left Handlebar Cover		1
3L3U	10K43L3U		Right Handlebar Cover		1
2RYH	2634BFDA24		Cr. Re. Truss Hd. Screw		1
3AZ6	26682RYH		Cr. Re. Truss Hd. Screw M5*0.8-25		2



TRUE FITNESS®

TRUE PART No: 7TS1026

Left Handlebar Assembly



Bill of Material:

Key No:	Vendor Part No.	TRUE Part Number (if applicable)	Description:	Units:	Quantity:
3LBV	C1083LBU		Stride Keypad		1
3L3A	10K43L3A		Upper Touch Sensor Hub		1
3MBU	10K43MBU		Quick Key Board		1
30YS	266030YS		Cr. Re. Pan Hd. Tapping Screw M3*24-6		2
3L5T	10K43L5T		Touch Sensor Wire		1
3L3Z	10K43L3Z		Lower Touch Sensor Hub		1
3B0V	26683B0V		Cr. Re. Pan Hd. Screw M4*0.7-18		2
0KH4	2669BNFA08		Cr. Re. Pan Hd. Screw M4*0.7-10		1
3L4K	10K43L2K		Left Handlebar		1

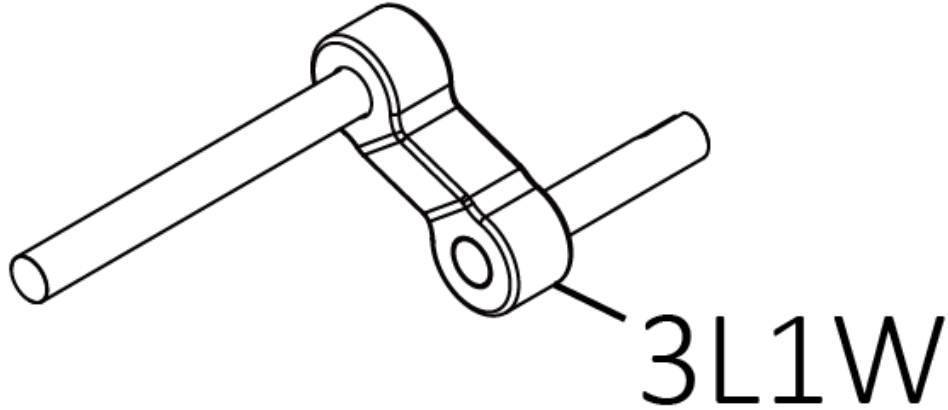
01FE	1A409701		Sticker		1
0J98	2502ANF416		Spring Washer $\phi 8$		4
3DJ2	26173DJ2		Hex. Soc. Hd. Cap Bolt M8*1.25-20		4



TRUE FITNESS[®]

TRUE PART No: 7TS1025

Left Crank



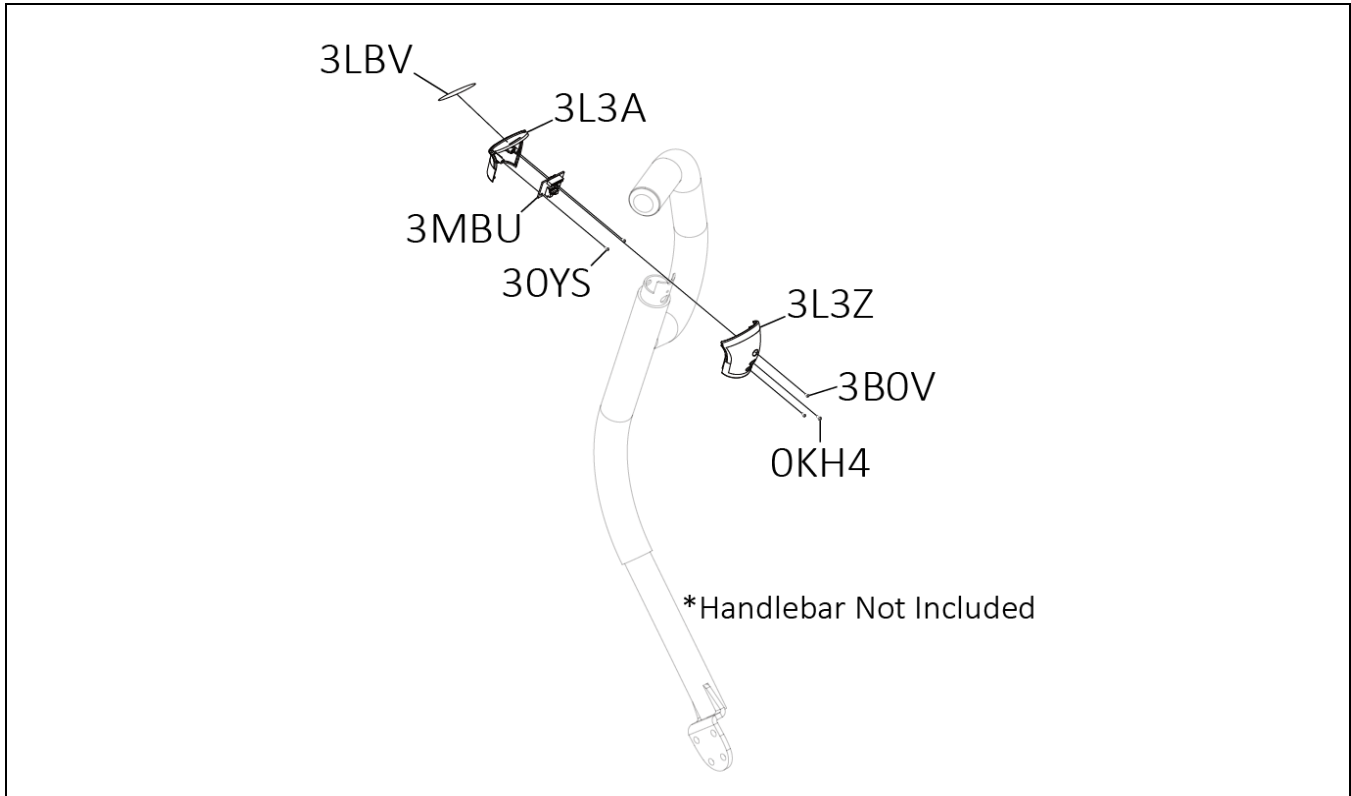
Bill of Material:

Key No:	Vendor Part No.	TRUE Part Number (if applicable)	Description:	Units:	Quantity:
3L1W	10K43L1W	-	Left Crank		1



TRUE FITNESS®

TRUE PART No: 7TS1024 Left (Stride) Thumbswitch Assembly



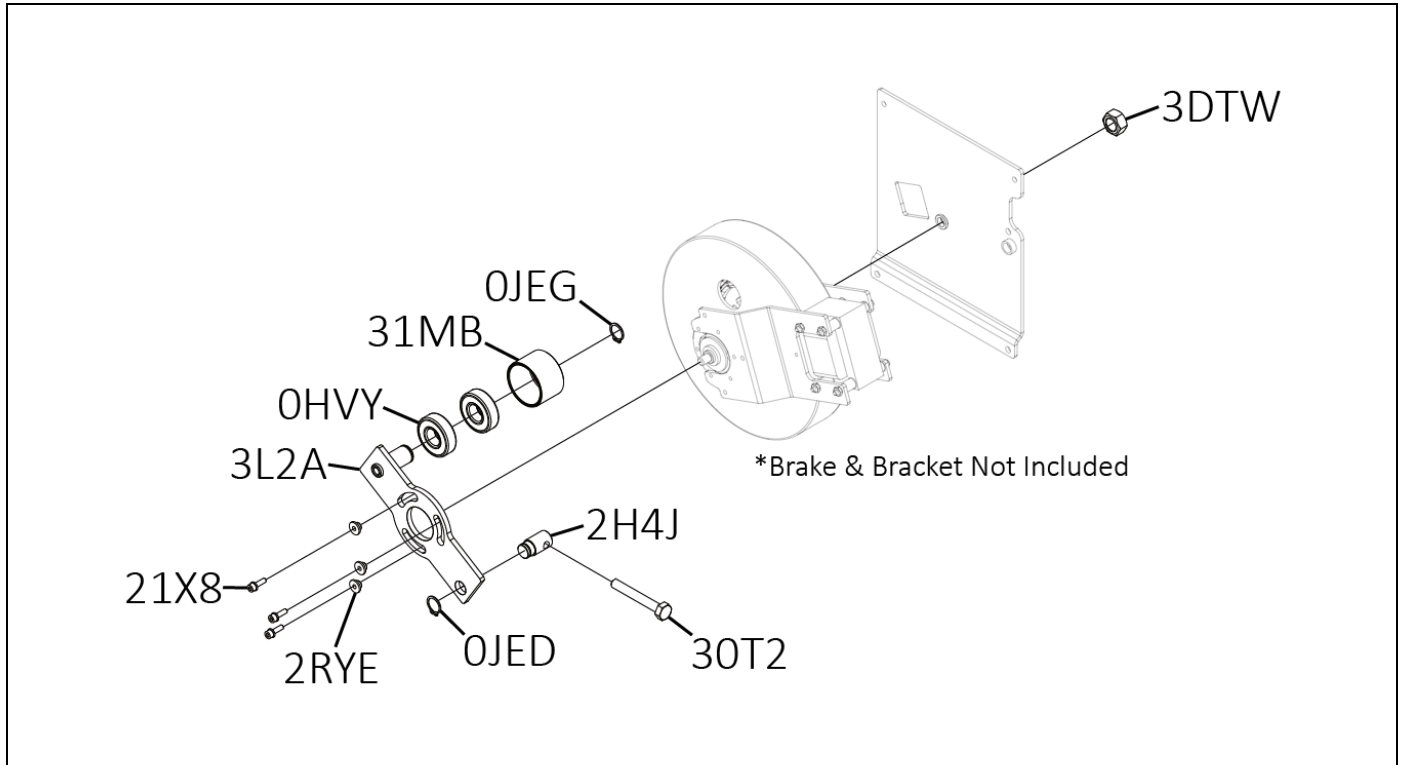
Bill of Material:

Key No:	Vendor Part No.	TRUE Part Number (if applicable)	Description:	Units:	Quantity:
3LBV	C1083LBU		Stride Keypad		1
3L3A	10K43L3A		Upper Touch Sensor Hub		1
3MBU	10K43MBU		Quick Key Board		1
3OYS	26603OYS		Cr. Re. Pan Hd. Tapping Screw M3*24-6		2
3L3Z	10K43L3W		Lower Touch Sensor Hub		1
3B0V	26683B0V		Cr. Re. Pan Hd. Screw M4*0.7-18		2
OKH4	2669BNFA08		Cr. Re. Pan Hd. Screw M4*0.7-10		1



TRUE FITNESS®

TRUE PART No: 7TS1023 Idler Wheel Bracket Assembly



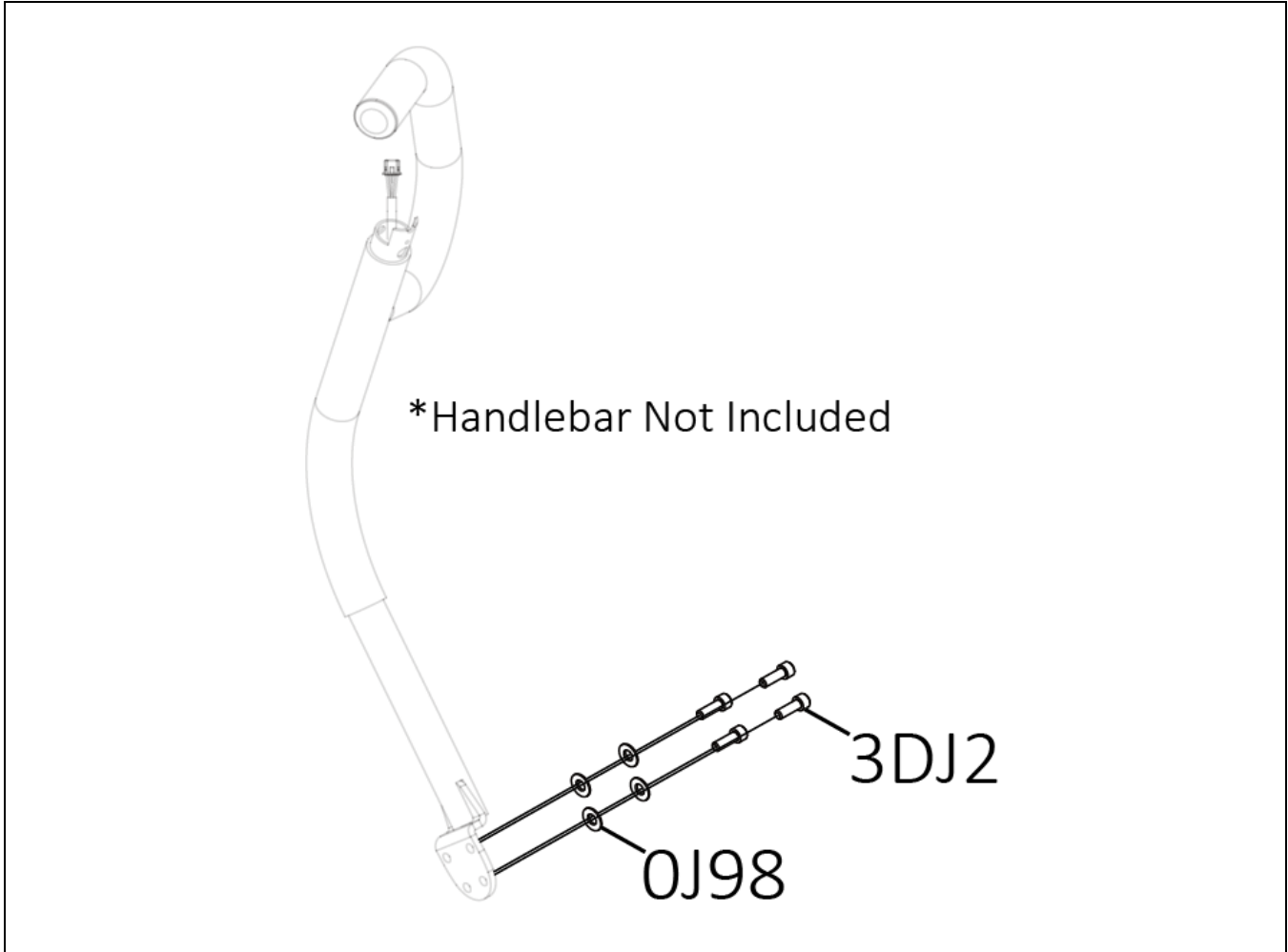
Bill of Material:

Key No:	Vendor Part No.	TRUE Part Number (if applicable)	Description:	Units:	Quantity:
3L2A	10K43L2A		Idler Wheel Bracket		1
OHVY	2001ZZ6204		Ball Bearing		2
31MB	10F131MB		Bearing Bushing		1
OJEG	2570BBN120		C-Ring A-20		1
2H4J	10D12H4J		Retaining Ring		1
30T2	260130T2		Hex. Hd. Bolt M10*1.5-70		1
21X8	110821X8		Spacer		3
2RYE	26172RYE		Hex. Socket Hd. Cap Screws M5*0.8-18		3
3DTW	27013DTW		Hex. Nut 3/8"*26T,T=8		1
OJED			C-Ring		1



TRUE FITNESS®

TRUE PART No: 7TS1022 Handlebar Hardware Kit



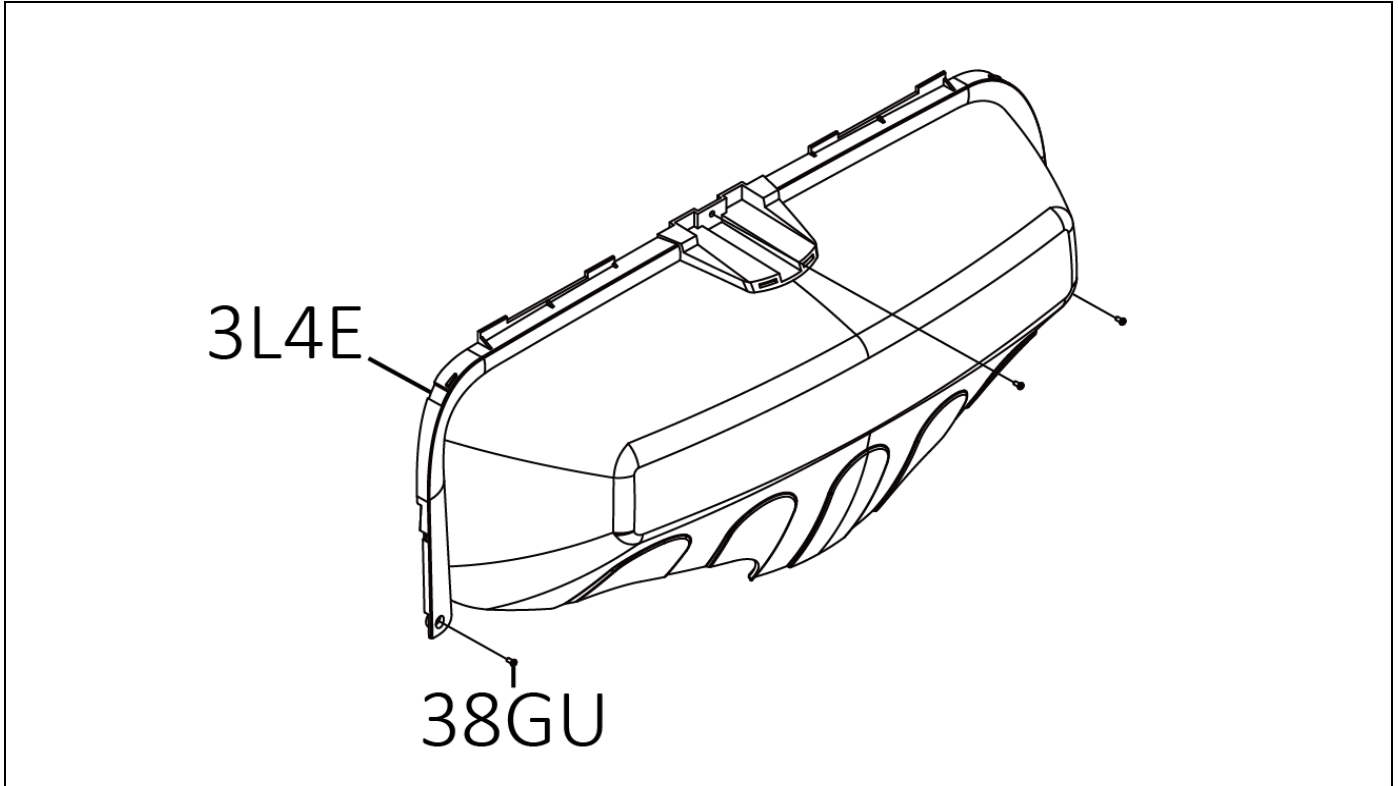
Bill of Material:

Key No:	Vendor Part No.	TRUE Part Number (if applicable)	Description:	Units:	Quantity:
3DJ2	26173DJ2		Hex. Soc. Hd. Cap Bolt M8*1.25-20		4
0J98	2502ANF416		Spring Washer ϕ 8		4



TRUE FITNESS[®]

TRUE PART No: 7TS1021 Front Plastic Cover Assembly



Bill of Material:

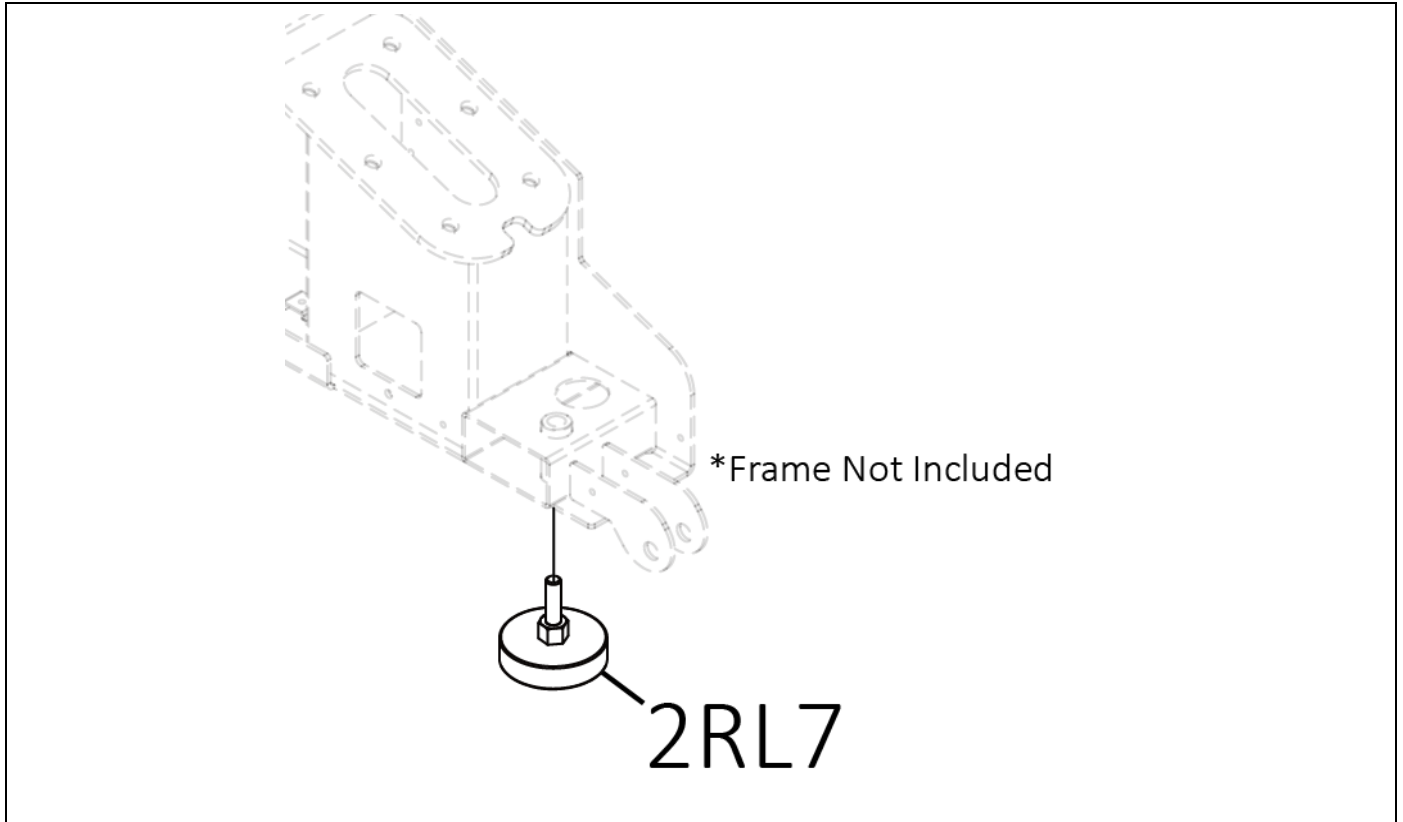
Key No:	Vendor Part No.	TRUE Part Number (if applicable)	Description:	Units:	Quantity:
3L4E	10K43L4E		Front Plastic Cover		1
38GU	266138GU		Cr. Re. Truss Hd. Tapping Screw M4*16-16		3



TRUE FITNESS[®]

TRUE PART No: 7CX0065

Front Leveling Foot



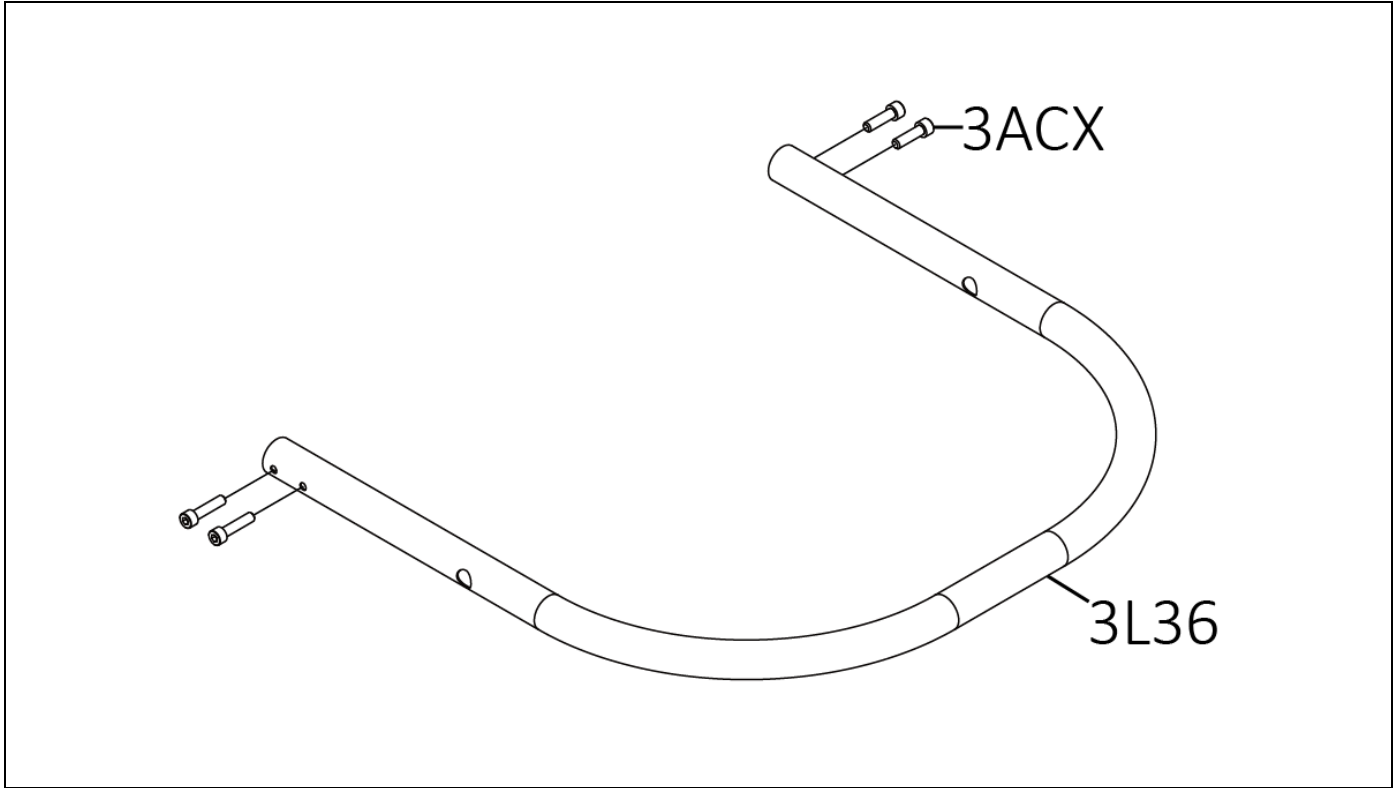
Bill of Material:

Key No:	Vendor Part No.	TRUE Part Number (if applicable)	Description:	Units:	Quantity:
2RL7	10F12RL7	7CX0065	Front Leveling Foot		1



TRUE FITNESS[®]

TRUE PART No: 7TS1019 Front Guard Tube Assembly



Bill of Material:

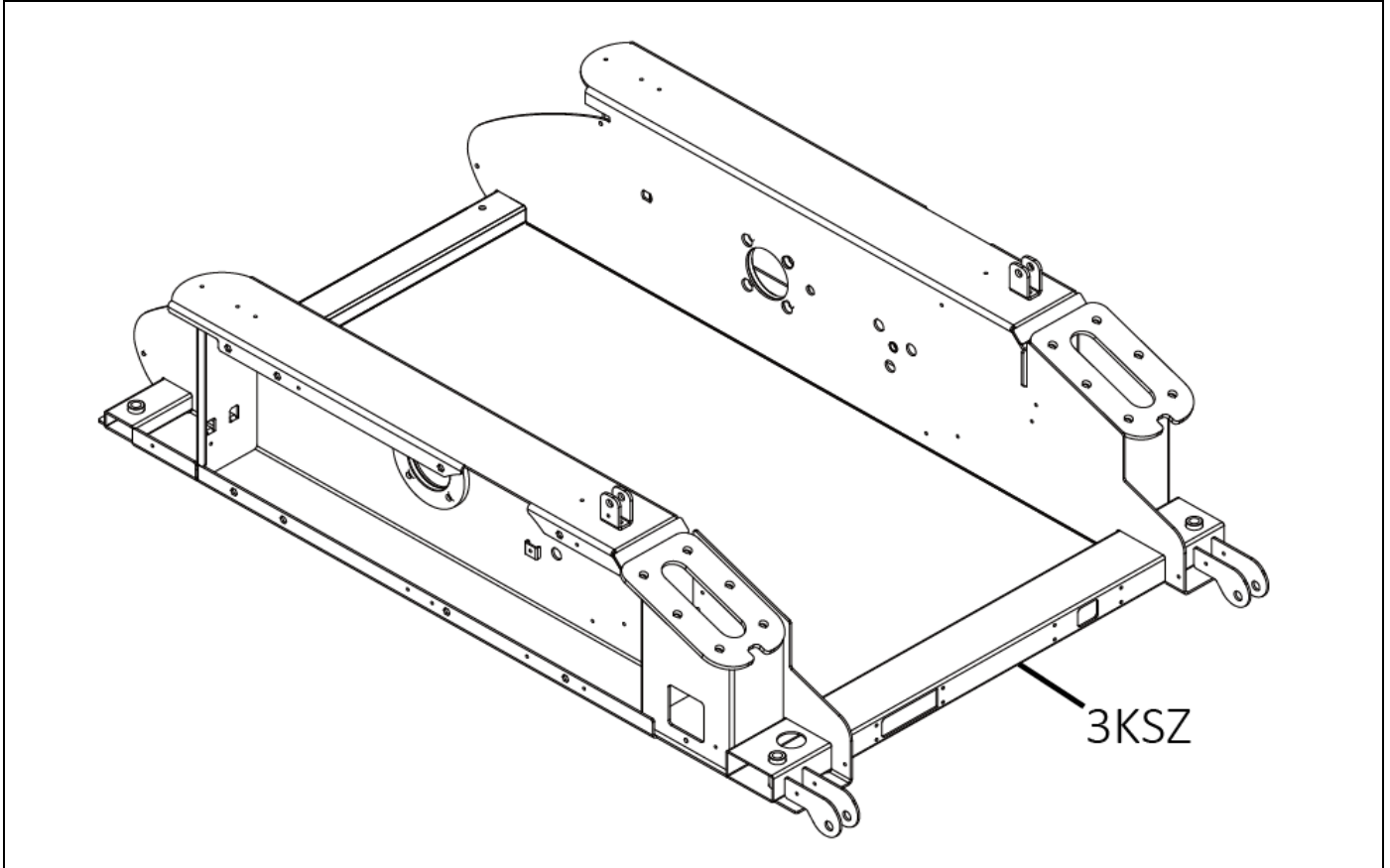
Key No:	Vendor Part No.	TRUE Part Number (if applicable)	Description:	Units:	Quantity:
3L36	10K43L36		Front Guard Tube		1
3ACX	26023ACX		Hex. Soc. Hd. Cap Bolt		4



TRUE FITNESS®

TRUE PART No: 7TS1018

Frame



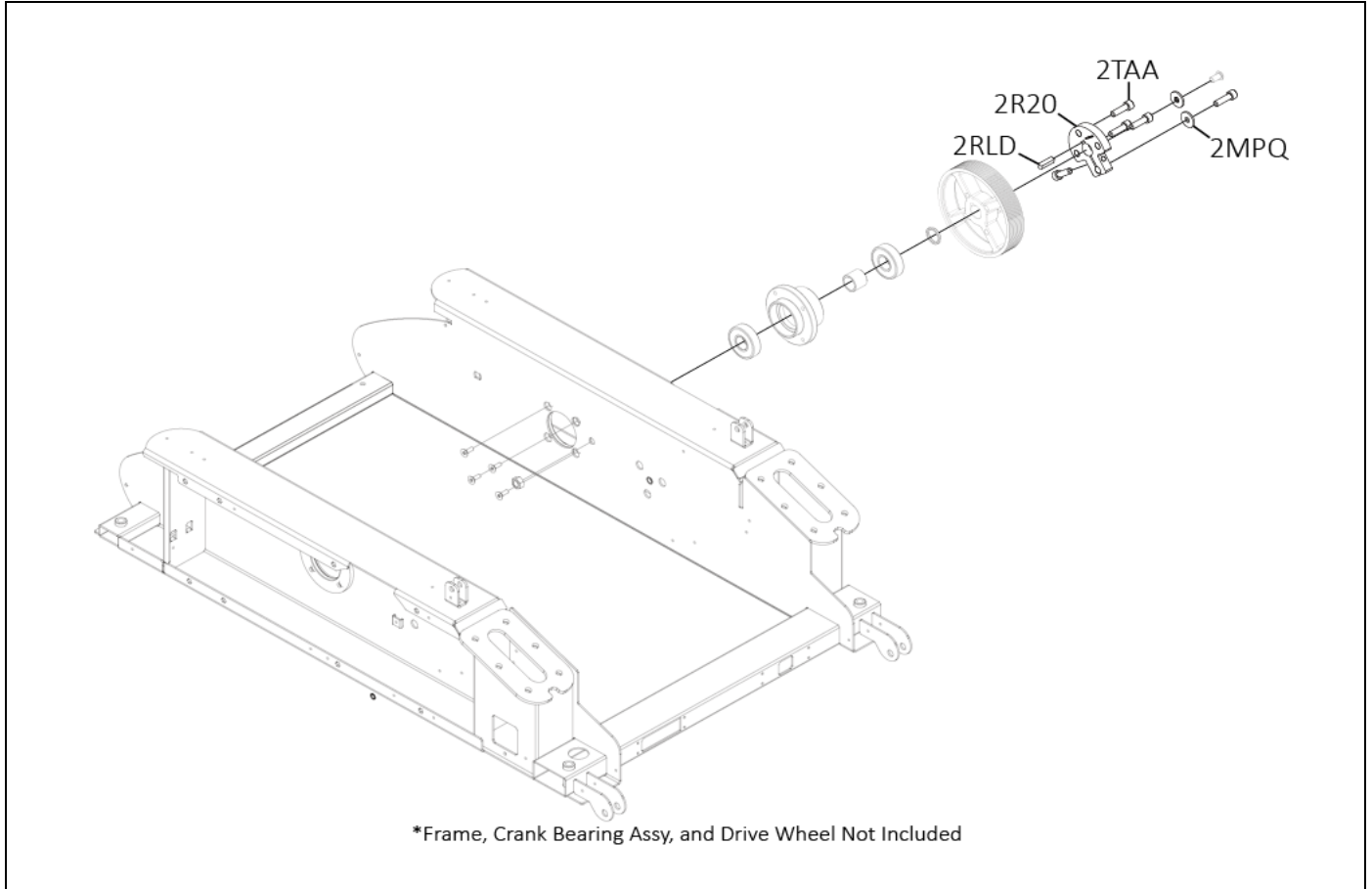
Bill of Material:

Key No:	Vendor Part No.	TRUE Part Number (if applicable)	Description:	Units:	Quantity:
3KSZ	10K43KSZ		Frame		1



TRUE FITNESS®

TRUE PART No: 7TS1017 Drive Wheel Locking Tube Assembly



Bill of Material:

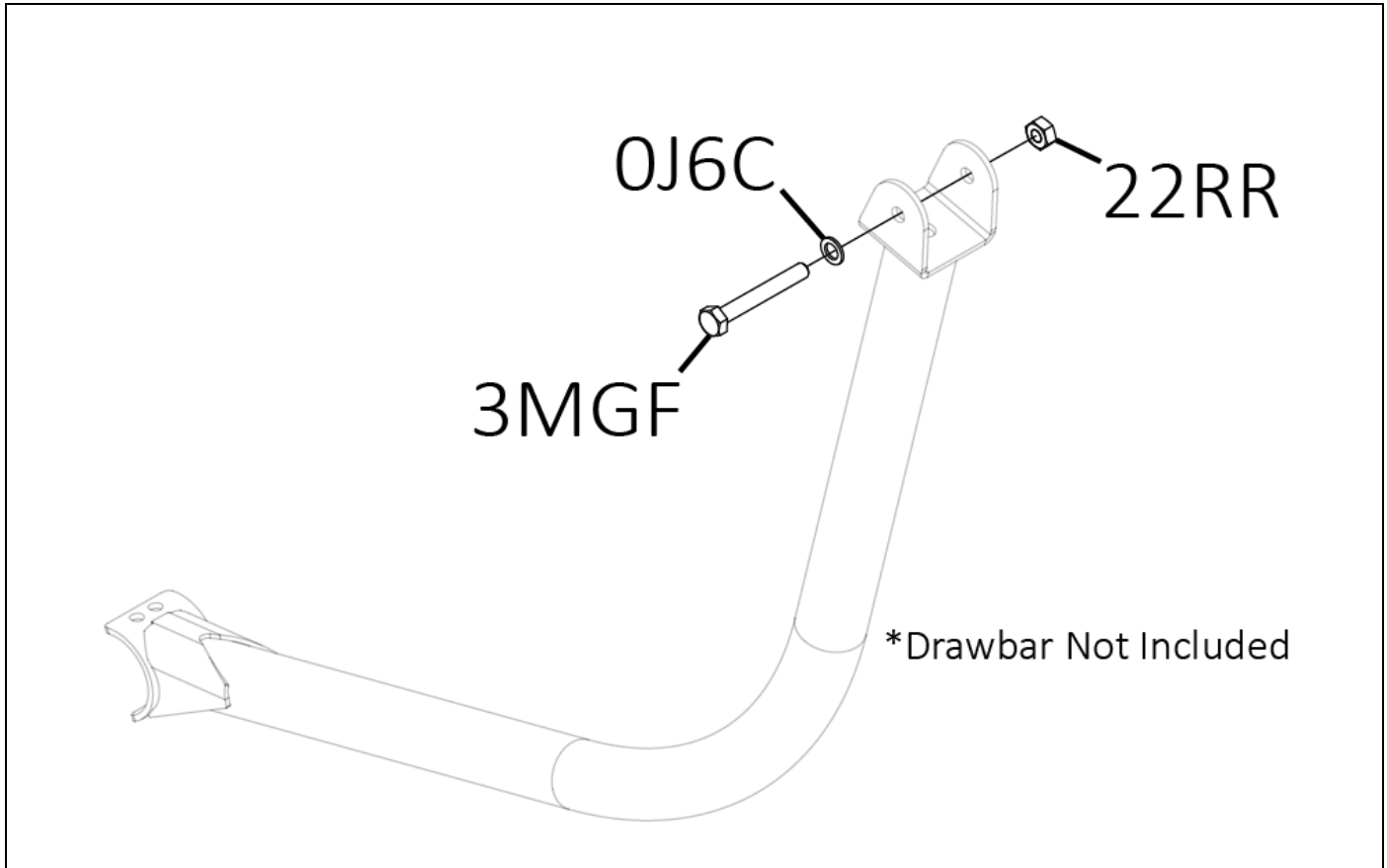
Key No:	Vendor Part No.	TRUE Part Number (if applicable)	Description:	Units:	Quantity:
2RLD	25712RLD		Parallel Key		1
2R20	10F12R20		Drive Wheel Locking Tube		1
2TAA	26022TAA		Hex. Soc. Hd. Cap Bolt M10*1.5-35		5
2MPQ	25012MPQ		Flat Washer		1



TRUE FITNESS®

TRUE PART No: 7TS1016

Drawbar to Rocker Tube Hardware Kit



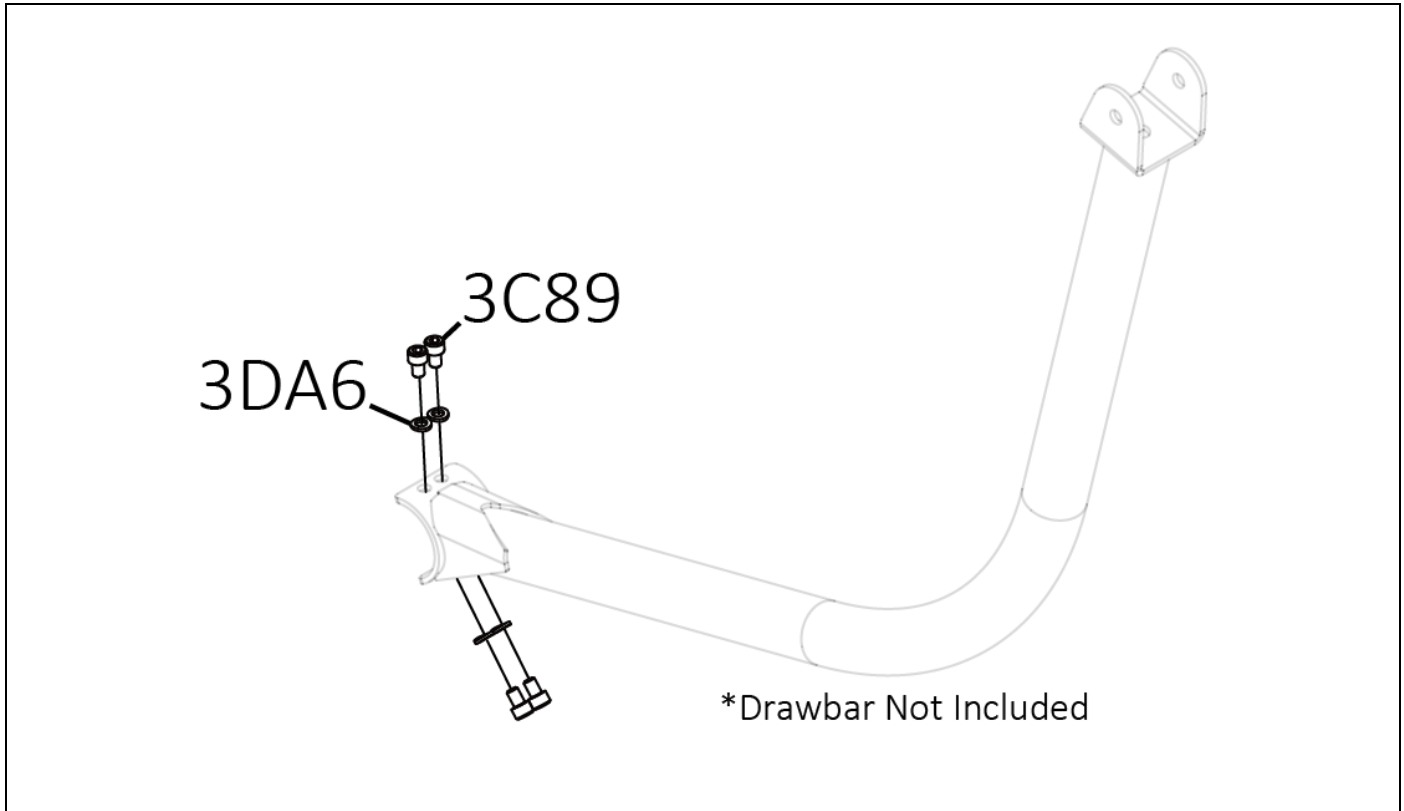
Bill of Material:

Key No:	Vendor Part No.	TRUE Part Number (if applicable)	Description:	Units:	Quantity:
2T9E	26012T9E	-	Hex. Hd. Bolt M10*1.5-75		1
37TG	270137TG	-	Hex. Nut M10*1.5 T=8		1
0J6C	2501MZDN11	-	Flat Washwer		1



TRUE FITNESS®

TRUE PART No: 7TS1015 Drawbar to Crank Hardware Kit



Bill of Material:

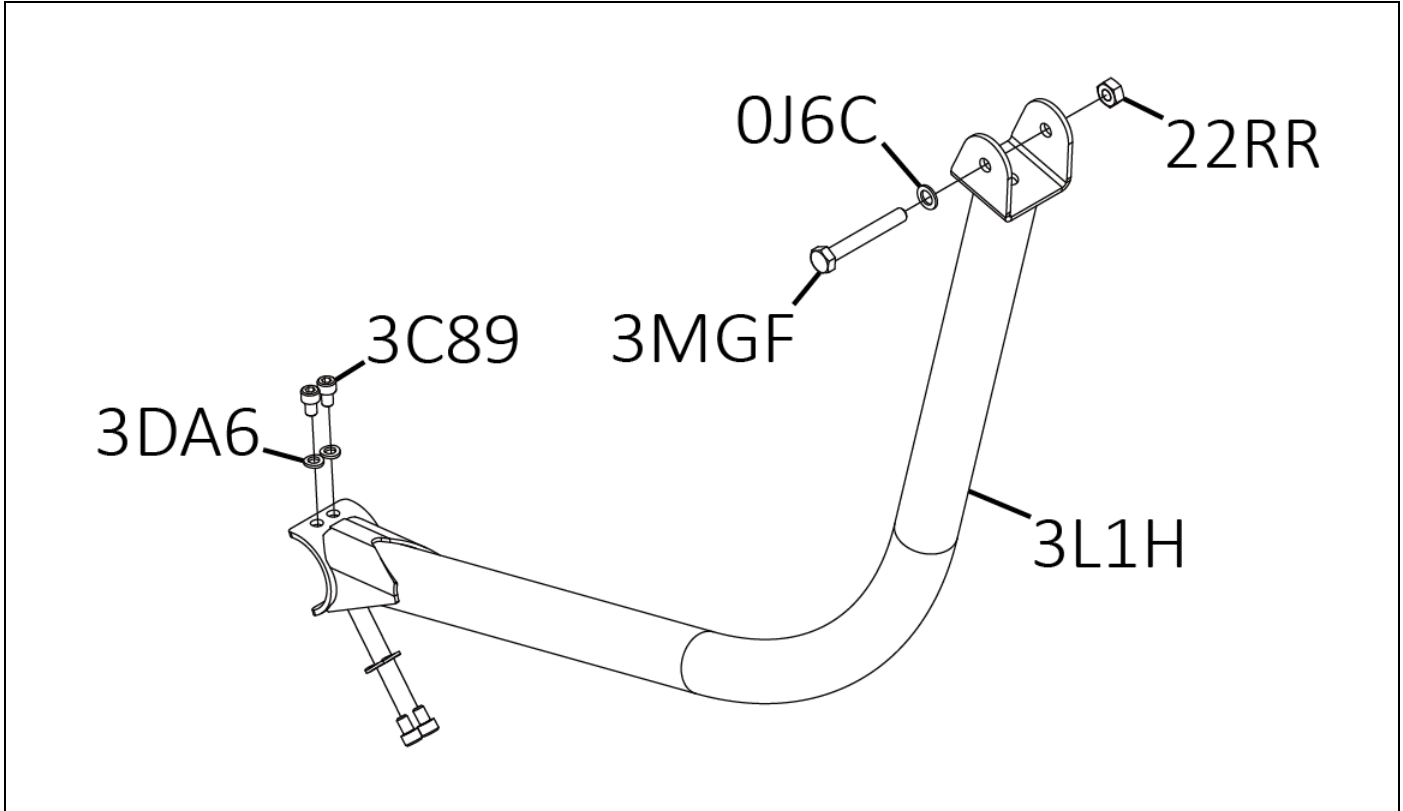
Key No:	Vendor Part No.	TRUE Part Number (if applicable)	Description:	Units:	Quantity:
3C89	26023C89	-	Hex. Soc. Hd. Cap Bolt M8*1.25-12		4
3DA6	10F13DA6	-	Curved Spacer		4



TRUE FITNESS®

TRUE PART No: 7TS1014

Drawbar Assembly



Bill of Material:

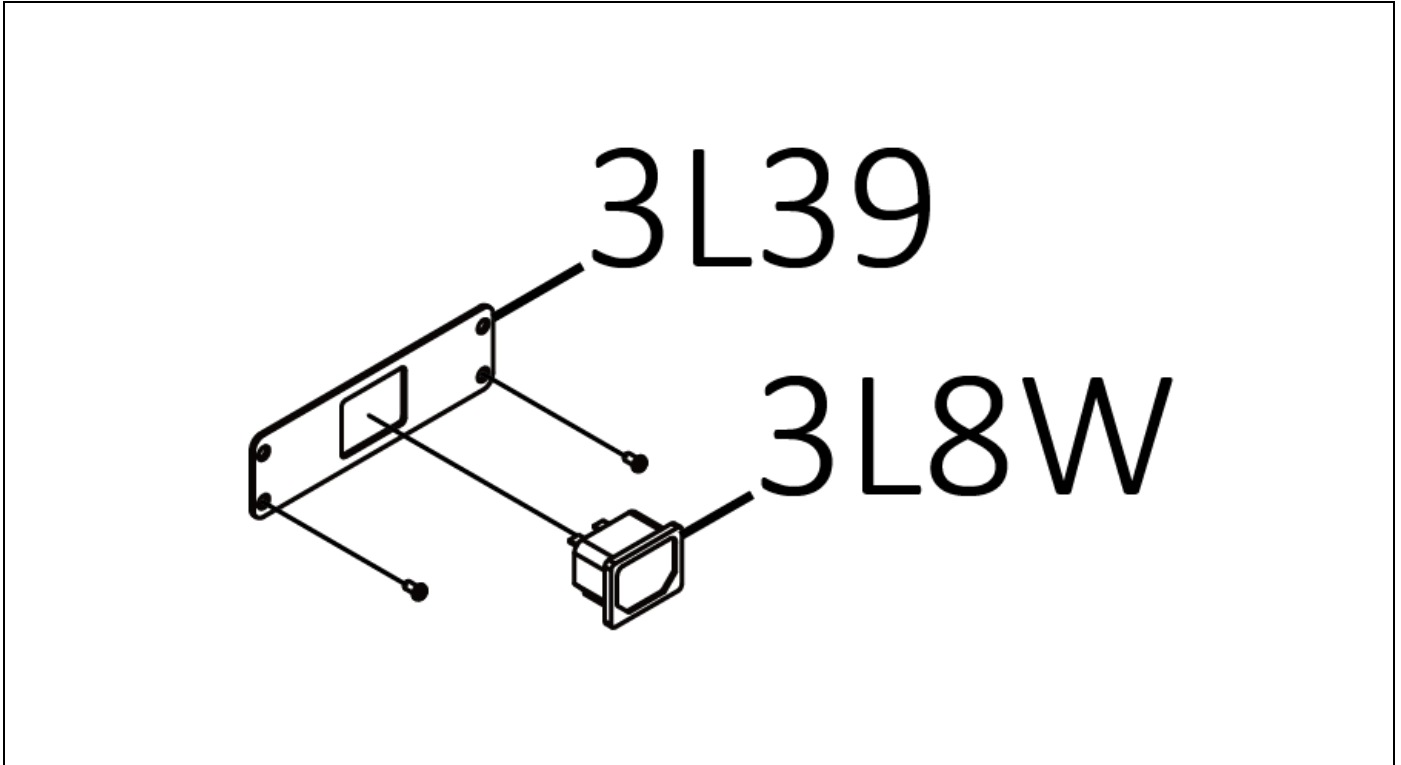
Key No:	Vendor Part No.	TRUE Part Number (if applicable)	Description:	Units:	Quantity:
3L1H	10K43L1H	-	Drawbar		1
3MGF	26012T9E	-	Hex. Hd. Bolt M10*1.5-75		1
22RR	270137TG	-	Hex. Nut M10*1.5 T=8		1
3C89	26023C89	-	Hex. Soc. Hd. Cap Bolt M8*1.25-12		4
3DA6	10F13DA6	-	Curved Spacer		4
0J6C	2501MZDN11	-	Flat Washer		1



TRUE FITNESS[®]

TRUE PART No: 7TS1013

Daisy Chain Power Plate Assembly



Bill of Material:

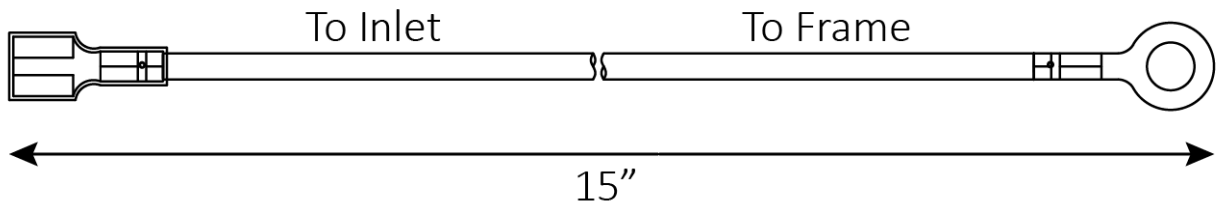
Key No:	Vendor Part No.	TRUE Part Number (if applicable)	Description:	Units:	Quantity:
3L39	10K43L39		Daisy Chain Power Plate		1
3L8W	10K43L8W		AC Inlet		1



TRUE FITNESS[®]

TRUE PART No: 7TS1012 Daisy Chain Inlet Ground Wire

3LQU



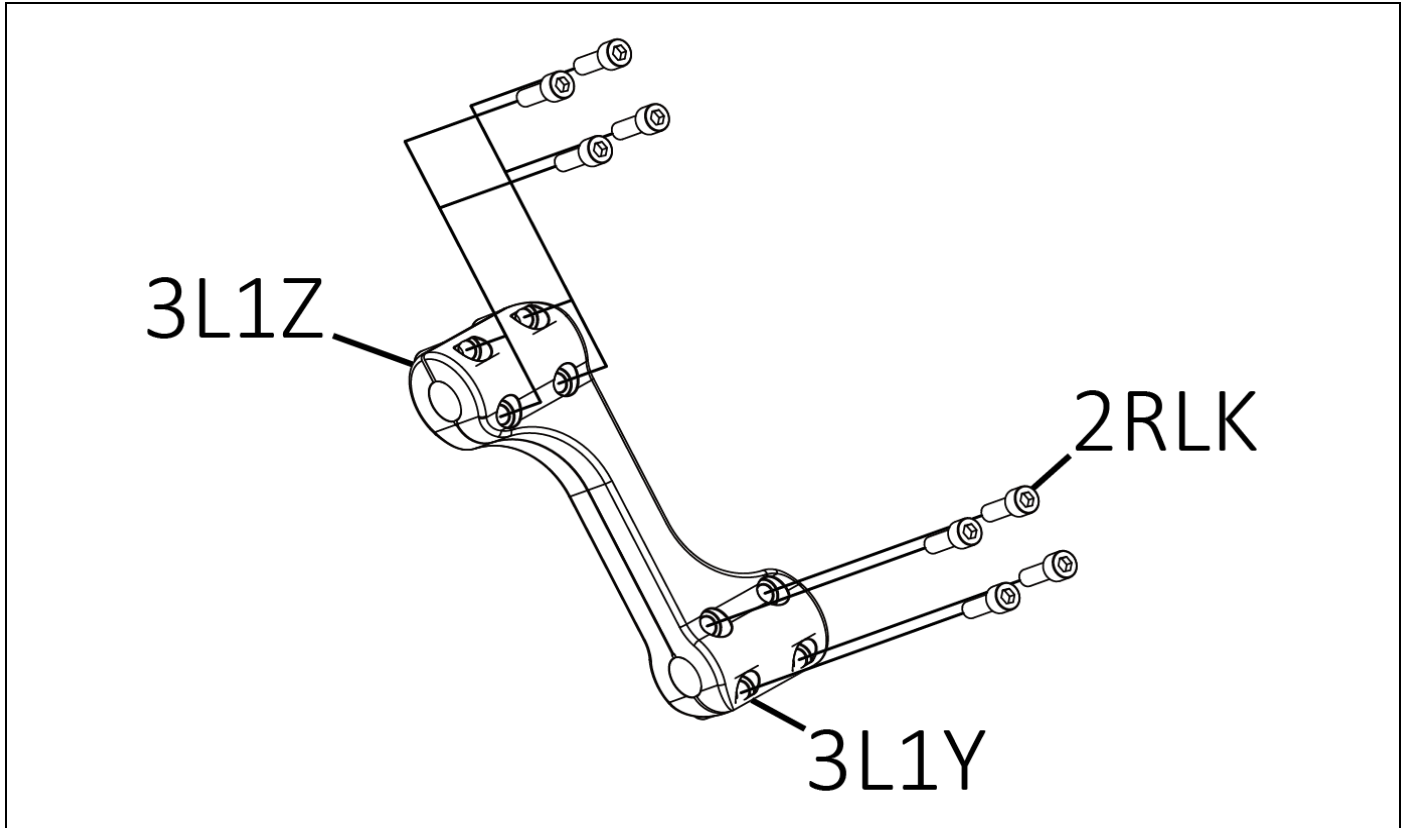
Bill of Material:

Key No:	Vendor Part No.	TRUE Part Number (if applicable)	Description:	Units:	Quantity:
3LQU	10K43LQU	7TS1012	Daisy Chain Inlet Ground Wire		1



TRUE FITNESS®

TRUE PART No: 7TS1011 Crank Shaft Linking Seat Assembly



Bill of Material:

Key No:	Vendor Part No.	TRUE Part Number (if applicable)	Description:	Units:	Quantity:
2RLK	26022RLK	-	Hex. Soc. Hd. Cap Bolt M10*1.5-30		8
3L1Z	10K43L1Z	-	Lower Crank Shaft Linking Seat		1
3L1Y	10K43L1Y	-	Upper Crank Shaft Linking Seat		1



TRUE FITNESS[®]

TRUE PART No: 7TS1010 Coaxial Connector

2MZF



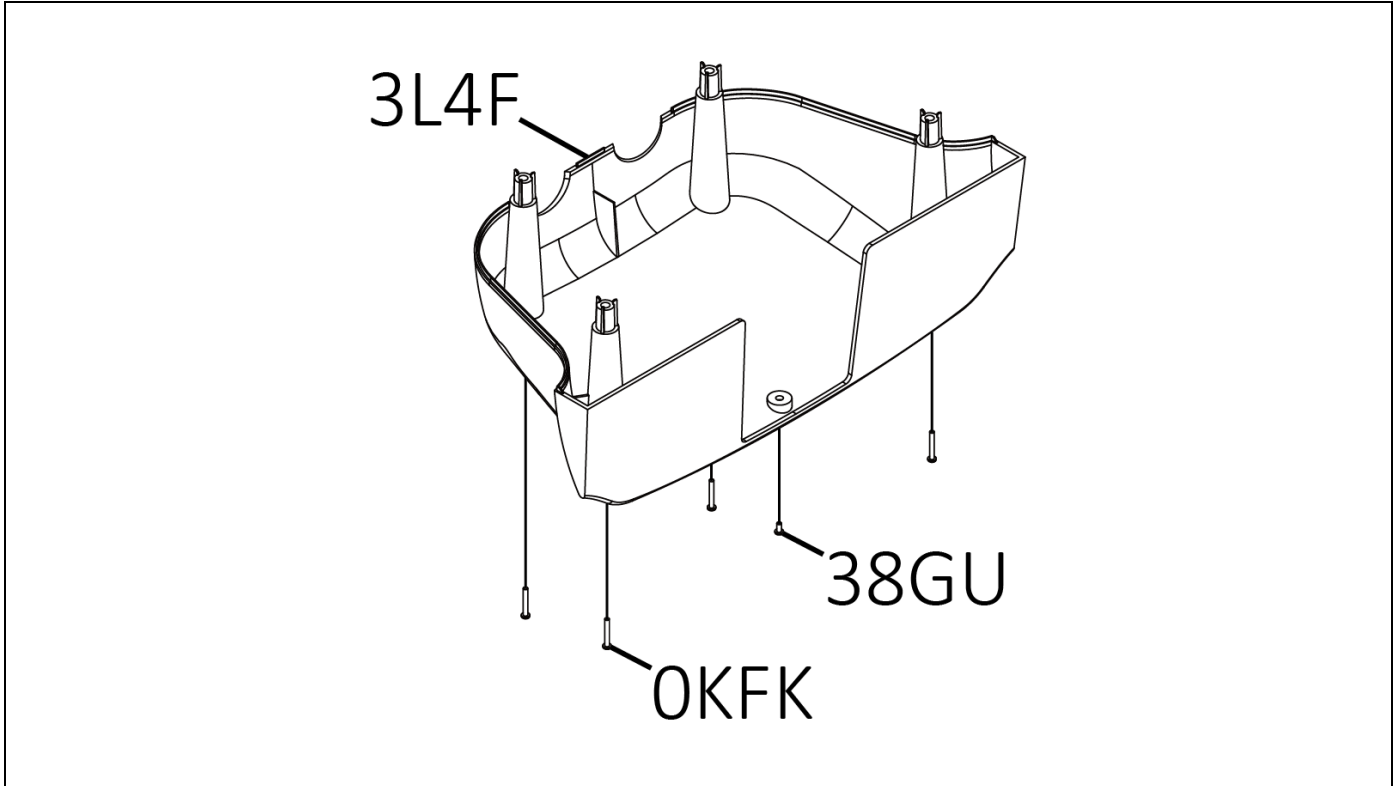
Bill of Material:

Key No:	Vendor Part No.	TRUE Part Number (if applicable)	Description:	Units:	Quantity:
2MZF	10E62MZF	7TS1010	Coaxial Connector		1



TRUE FITNESS®

TRUE PART No: 7TS1009 Bottom Cover Assembly



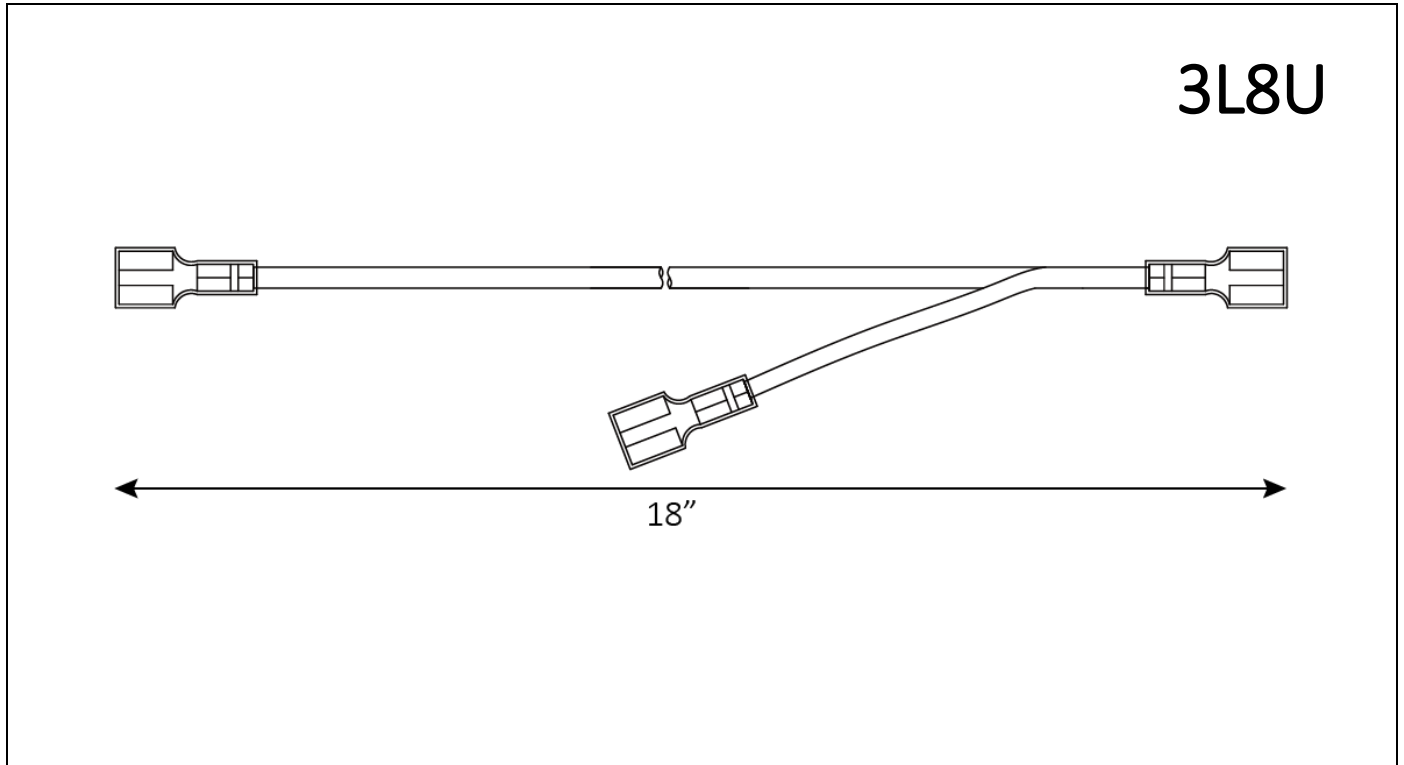
Bill of Material:

Key No:	Vendor Part No.	TRUE Part Number (if applicable)	Description:	Units:	Quantity:
3L4F	10K43L4F		Bottom Cover		1
OKFB	2668BZDA13		Cr. Re. Pan Hd. Screw M4*0.7-25		2
38GU	266138GU		Cr. Re. Truss Hd. Tapping Screw M4*16-16		1



TRUE FITNESS[®]

TRUE PART No: 7TS1008 Black Inlet to Daisy Chain Cable



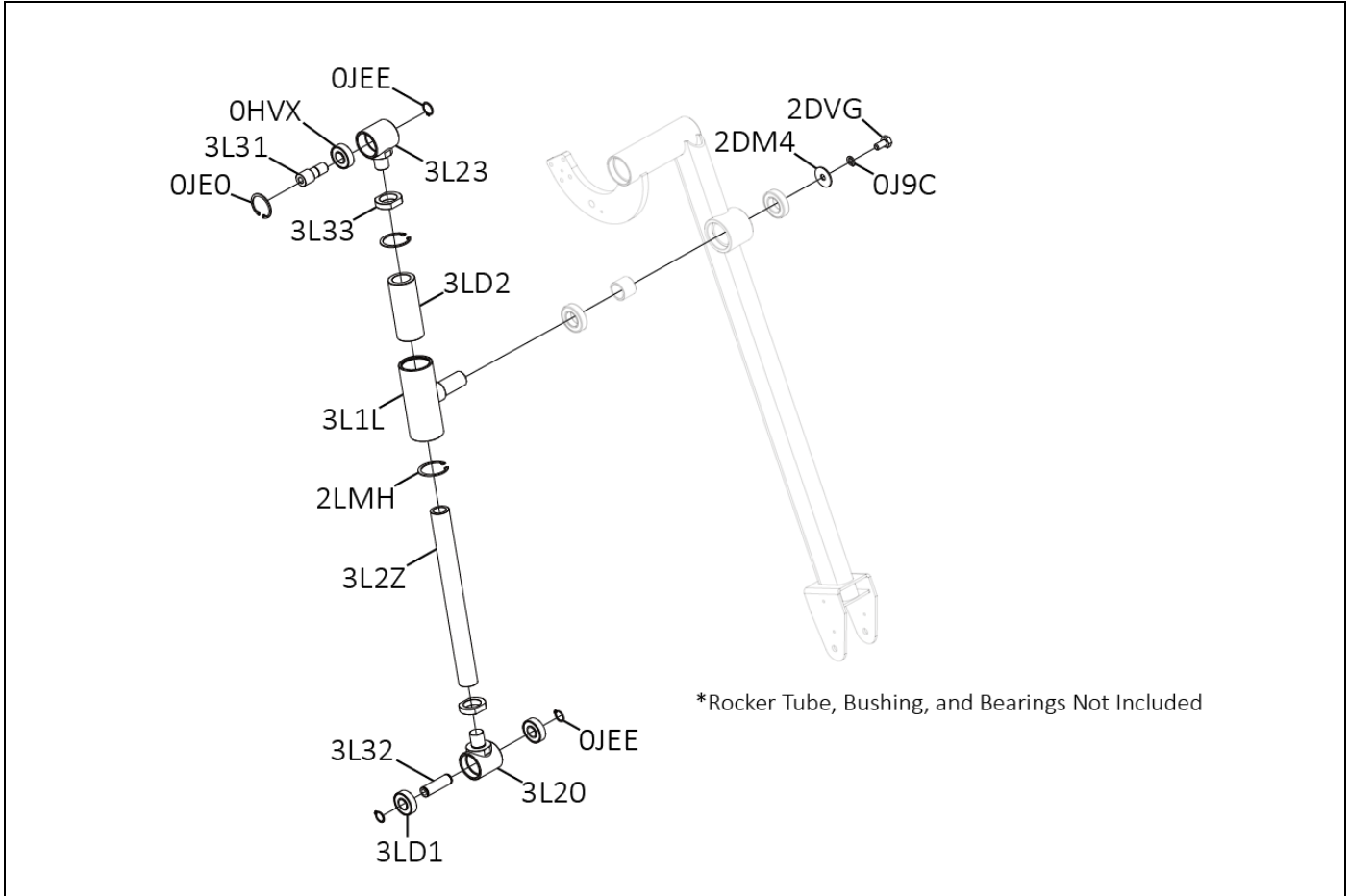
Bill of Material:

Key No:	Vendor Part No.	TRUE Part Number (if applicable)	Description:	Units:	Quantity:
3L8U	10K43L8U	7TS1008	Black Inlet to Daisy Chain Cable		1



TRUE FITNESS®

TRUE PART No: 7TS1007 Adjustable Linkage Arm



Bill of Material:

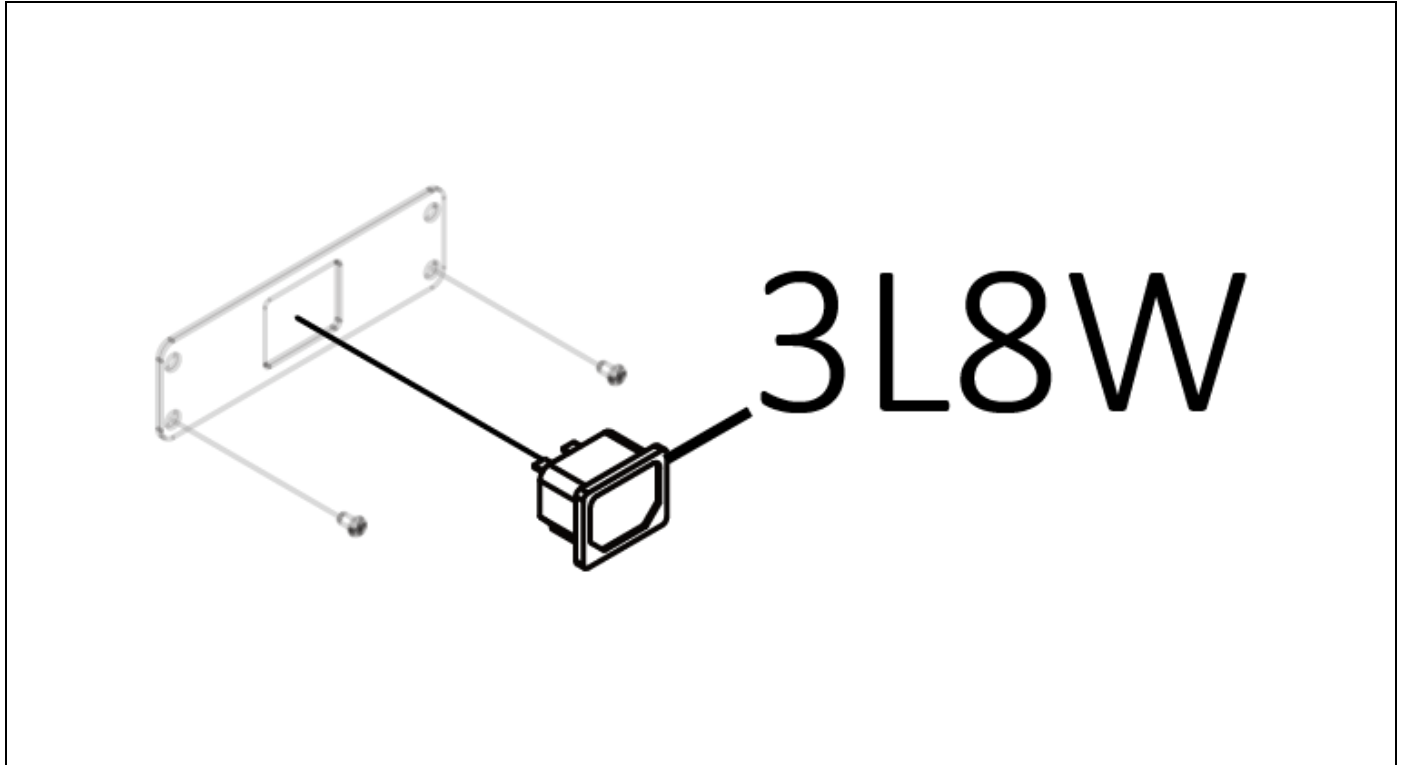
Key No:	Vendor Part No.	TRUE Part Number (if applicable)	Description:	Units:	Quantity:
OJEO	2570ABN140		C-Ring B-40		1
3L31	10K43L31		Shaft		1
OHVX	2001ZZ6203		Ball Bearing		1
OJEE	2570BBN117		C-Ring A-17		3
3L23	10K43L23		Plunger Housing		1
3L33	10K43L33		Special Nut		1
3LD2	20073LD2		Linear Motion Bearing		1
3L1L	10K43L1L		Linear Sleeve Package		1

2LMH	25702LMH		C-Ring B-45	2
3L2Z	10K43L2Z		Miter Bar	1
3L32	10K43L32		Shaft	1
3LD1	20013LD1		Ball Bearing 6203ZZ	2
3L20	10K43L20		Plunger Housing	1
2DM4	10C32DM4		Washer	1
0J9C	2502AZC410		Spring Washer	1
2DVG	26012DVG		Hex. Soc. Hd. Cap Bolt M8*1.25-35	1



TRUE FITNESS[®]

TRUE PART No: 7TS1006
AC Inlet for Daisy Chain



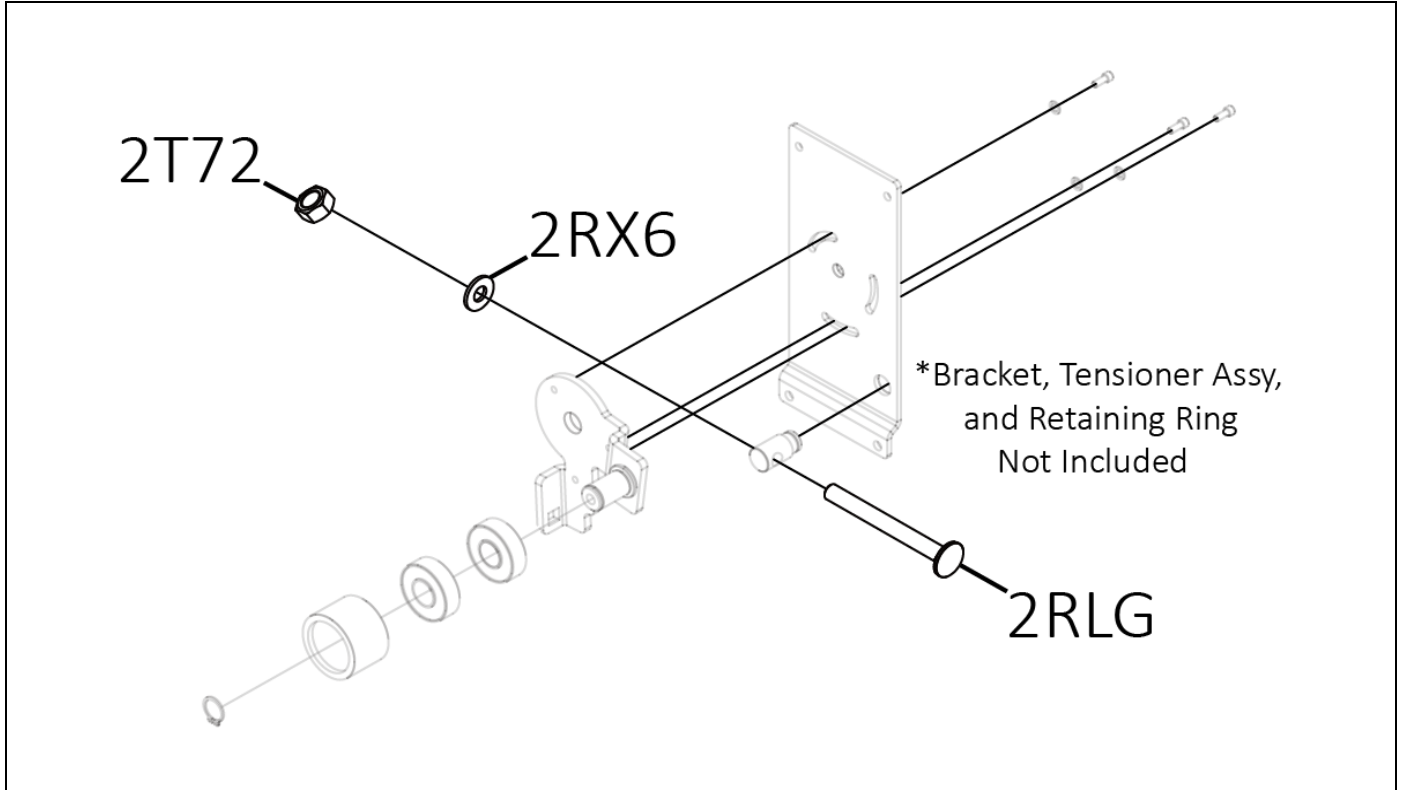
Bill of Material:

Key No:	Vendor Part No.	TRUE Part Number (if applicable)	Description:	Units:	Quantity:
3L8W	10K43L8W	7TS1006	AC Inlet for Daisy Chain		1



TRUE FITNESS®

TRUE PART No: 7TS1003 1st Stage Tensioner Bolt Assembly



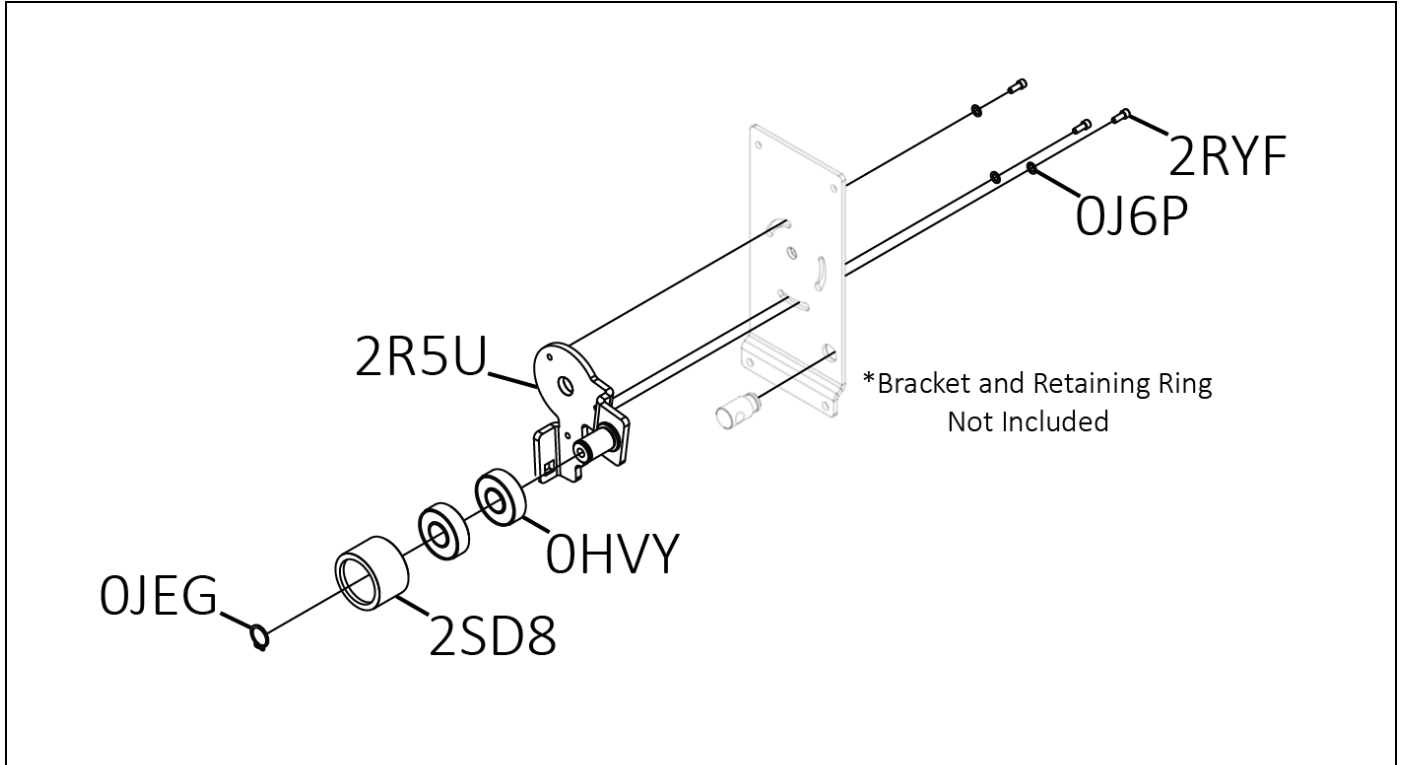
Bill of Material:

Key No:	Vendor Part No.	TRUE Part Number (if applicable)	Description:	Units:	Quantity:
2RLG	26722RLG		Cap Hd. Sq. Neck Bolt M10*1.5-85		1
2RX6	25012RX6		Flat Washer $\Phi 10 \times 22-2$		1
2T72	27012T72		Hex. Nut M12*1.75,T=10		1



TRUE FITNESS®

TRUE PART No: 7TS1002 1st Stage Tensioner Assembly



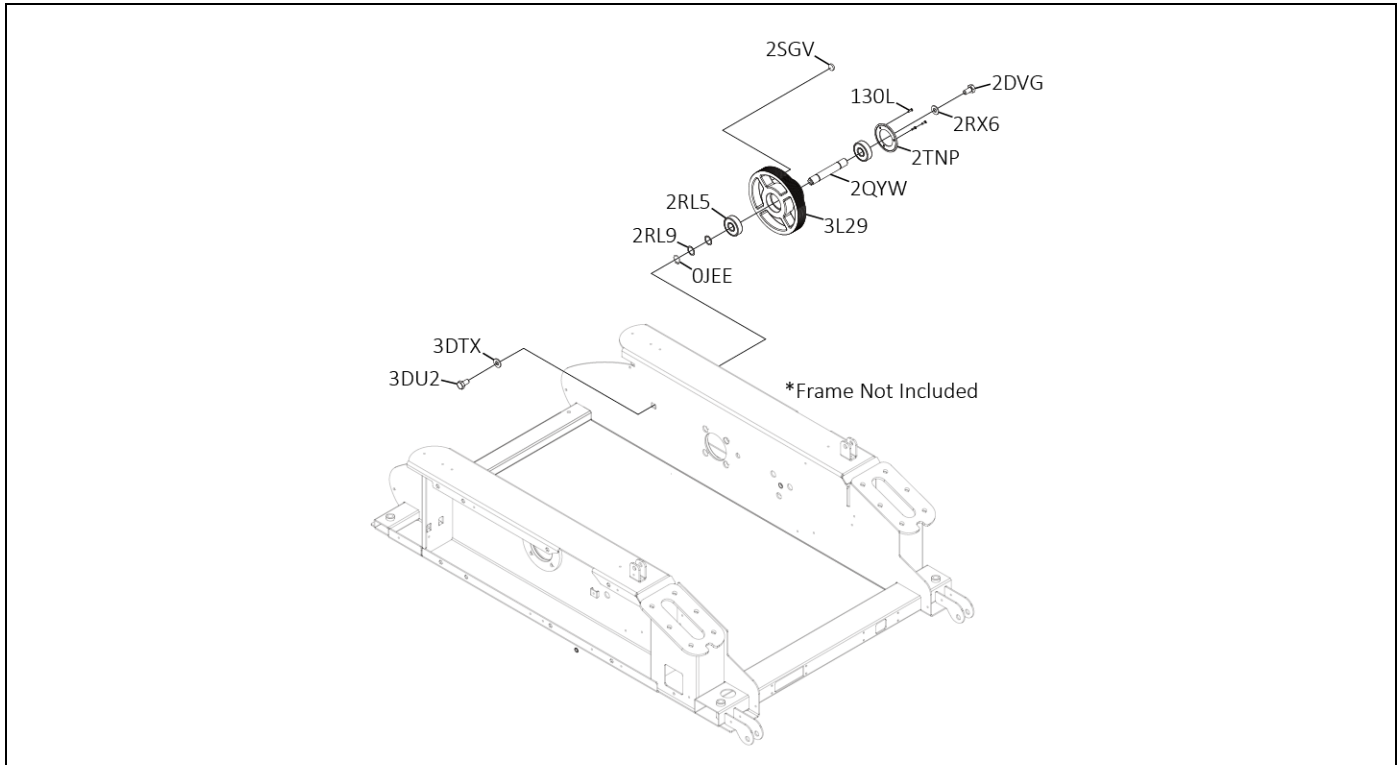
Bill of Material:

Key No:	Vendor Part No.	TRUE Part Number (if applicable)	Description:	Units:	Quantity:
OJEG	2570BBN120		C-Ring A-20		1
2SD8	10F12SD8		Bearing Bushing		1
OHVY	2001ZZ6204		Ball Bearing		2
2R5U	10F12R5U		Idler Wheel Bracket		1
2RYF	26022RYF		Hex. Soc. Hd. Cap Bolt M6*1.0-16		3
OJ6P	2501MZDN68		Flat Washer $\phi 6 * 16 - 2$		3



TRUE FITNESS®

TRUE PART No: 7TS1001 1st Stage Drive Assembly



Bill of Material:

Key No:	Vendor Part No.	TRUE Part Number (if applicable)	Description:	Units:	Quantity:
3DU2	26013DU2		Hex. Hd. Bolt M10*1.5-20		1
3DTX	25013DTX		Flat Washer Φ 10*22-2		1
0JEE	2570BBN117		C-Ring A-17		2
2RL9	25062RL9		Wave Washer WW-17		2
2RL5	20012RL5		Ball Bearing 6303ZZ TPI		2
3L29	10K43L29		Drive Pulley		1
2QYW	10F12QYW		Drive Pulley Axel		1
2TNP	10F12TNP		Drive Pulley Protector Plate		1
130L	2668BZDA47		Cr. Re. Pan Hd. Screw M3*0.5-10		3
2DVG	26012DVG		Hex. Hd. Bolt M10*1.5-20		1

2RX6	25012RX6		Flat Washer Φ 10*22-2		1
2SGV	10E92SGV		Magnet		1

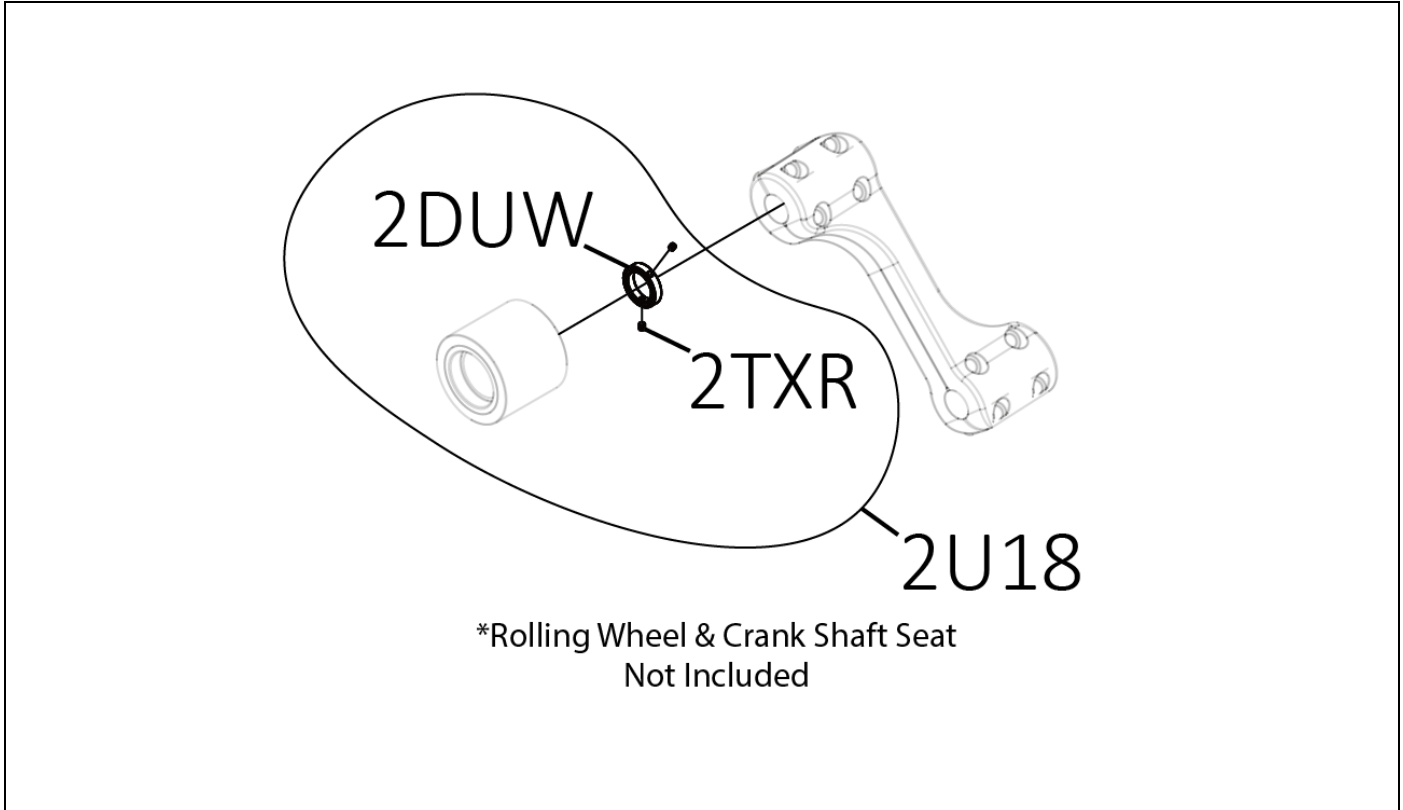


TRUE FITNESS[®]

TRUE PART No: 7SX0019

Vendor PART No: **XXXXX**

Crank Retaining Ring Assembly



Bill of Material:

Key No:	Vendor Part No.	TRUE Part Number (if applicable)	Description:	Units:	Quantity:
2DUW	10C32DUW	-	Retaining Ring		1
2TXR	26062TXR	7SX0003	Hex. Soc. Set Screw M5*0.8-6		2

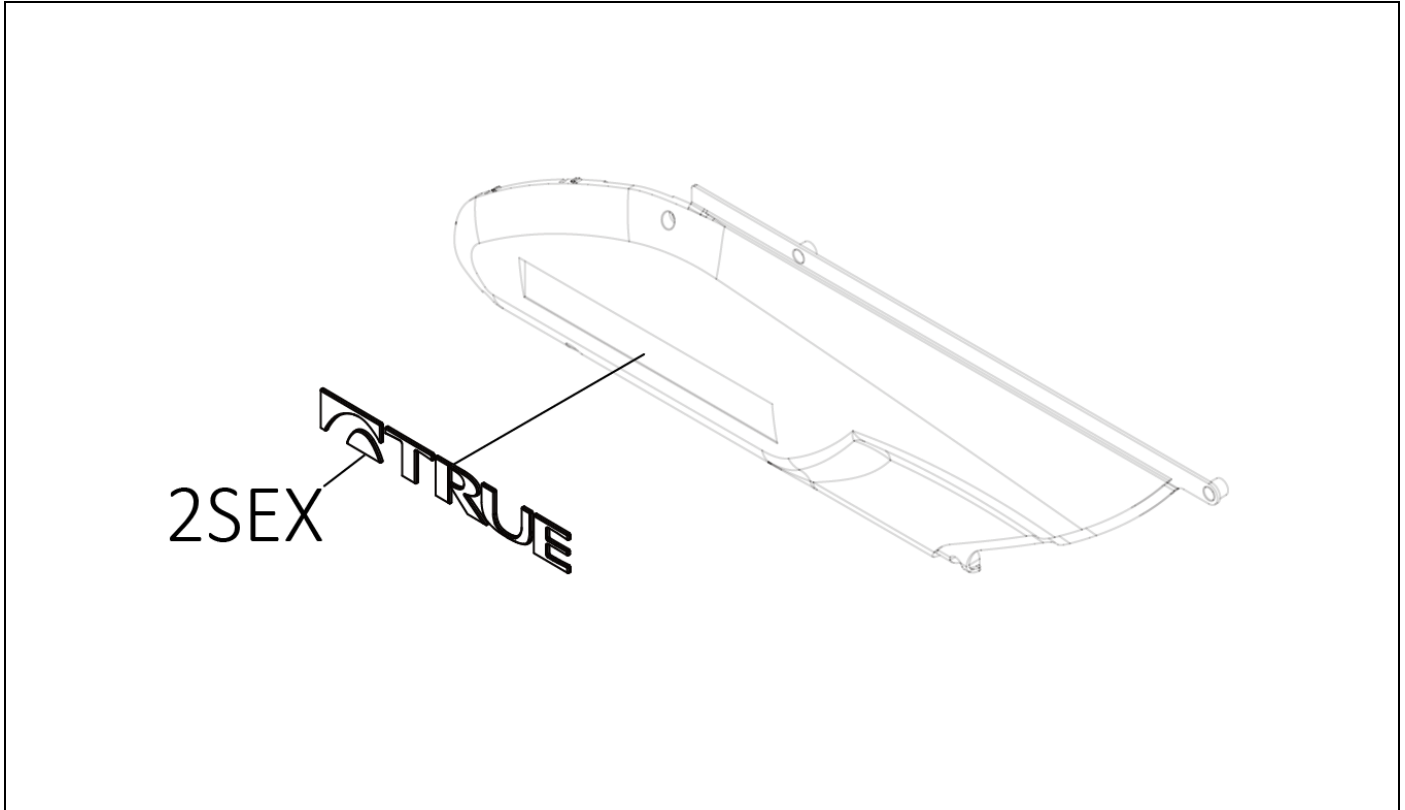


TRUE FITNESS[®]

TRUE PART No: 7CX0122

Vendor PART No: 10F12SEX

Silver TRUE Decal



Bill of Material:

Key No:	Vendor Part No.	TRUE Part Number (if applicable)	Description:	Units:	Quantity:
2SEX	10F12SEX	7CX0122	Silver TRUE Decal		1

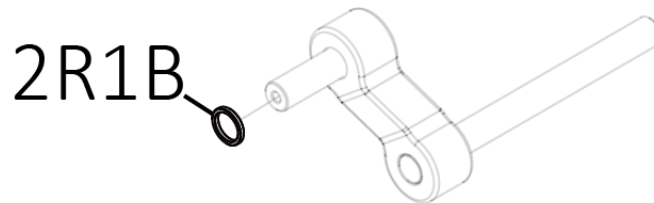


TRUE FITNESS[®]

TRUE PART No: 7CX0085

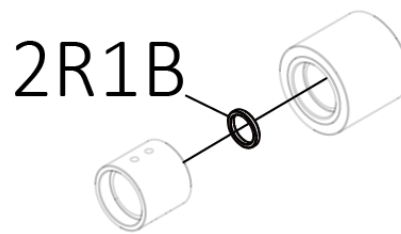
Vendor PART No: **10F12R1B**

Crank Shaft Collar (Single)



*Crank Not Included

Or



*Shaft Sleeve and Rolling Wheel Assemblies
Not Included

Bill of Material:

Key No:	Vendor Part No.	TRUE Part Number (if applicable)	Description:	Units:	Quantity:
2R1B	10F12R1B	7CX0085	Crank Shaft Collar (Single)		1

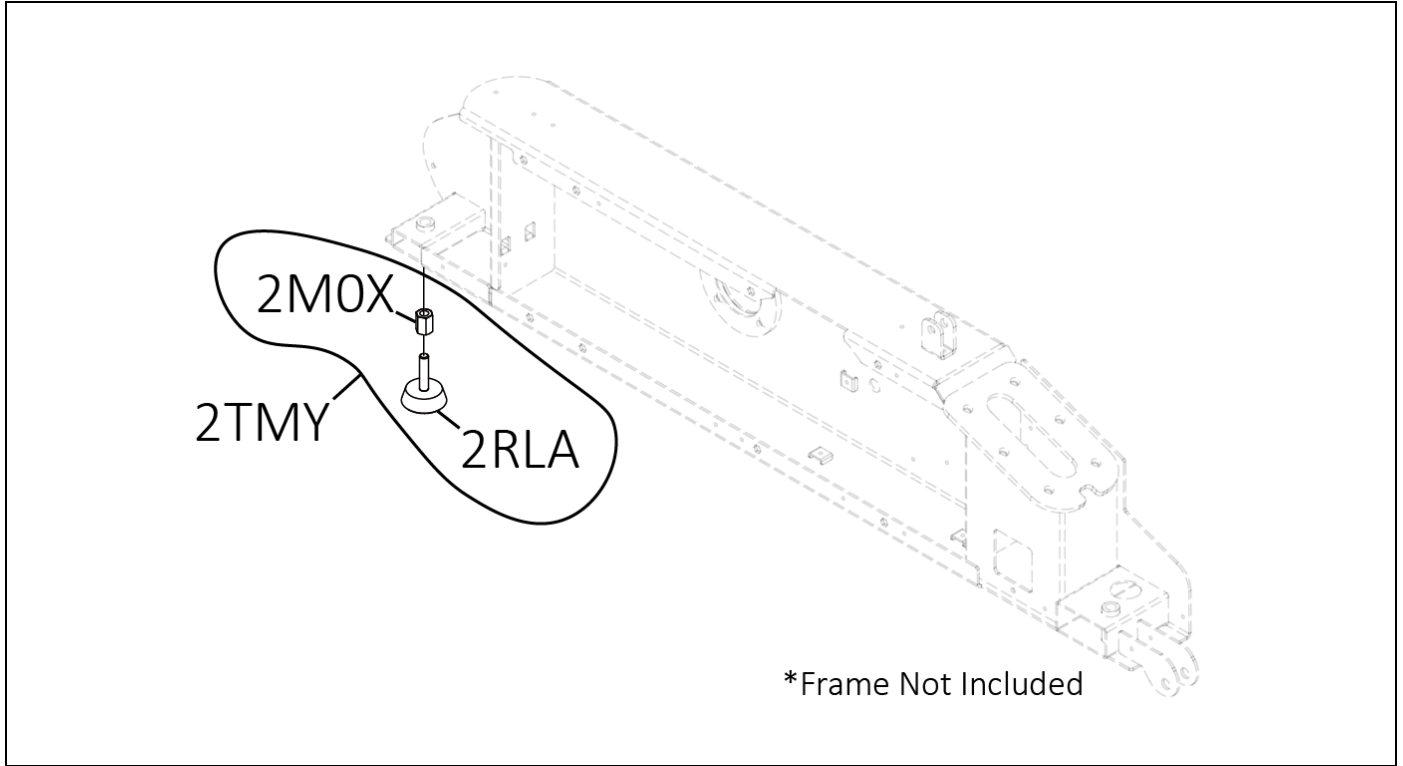


TRUE FITNESS[®]

TRUE PART No: 7CX0071

Vendor PART No: **XXXXX**

Rear Leveling Foot Assembly



Bill of Material:

Key No:	Vendor Part No.	TRUE Part Number (if applicable)	Description:	Units:	Quantity:
2RLA	10F12RLA	7CX0071	Leveling Foot		1
2MOX	10C22M0X		Jam Nut		1

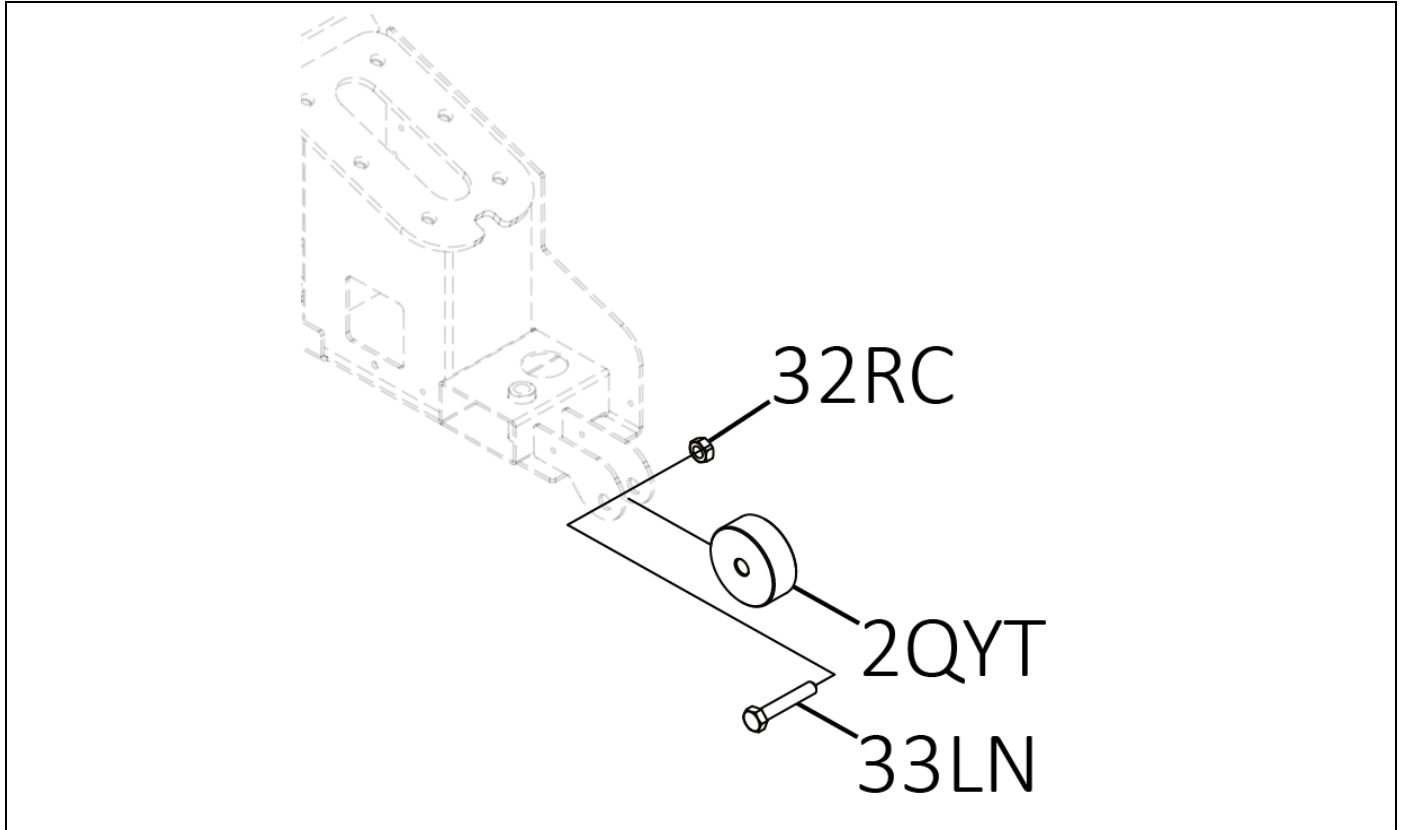


TRUE FITNESS®

TRUE PART No: 7CX0068

Vendor PART No: XXXXX

Transport Wheel Assembly



Bill of Material:

Key No:	Vendor Part No.	TRUE Part Number (if applicable)	Description:	Units:	Quantity:
2QYT	10F12QYT	7CX0068	Transport Wheel		1
33LN	260133LN		Hex. Hd. Bolt M12*1.75-50		1
32RC	270532RC		Nut M12*1.75 T=12		1

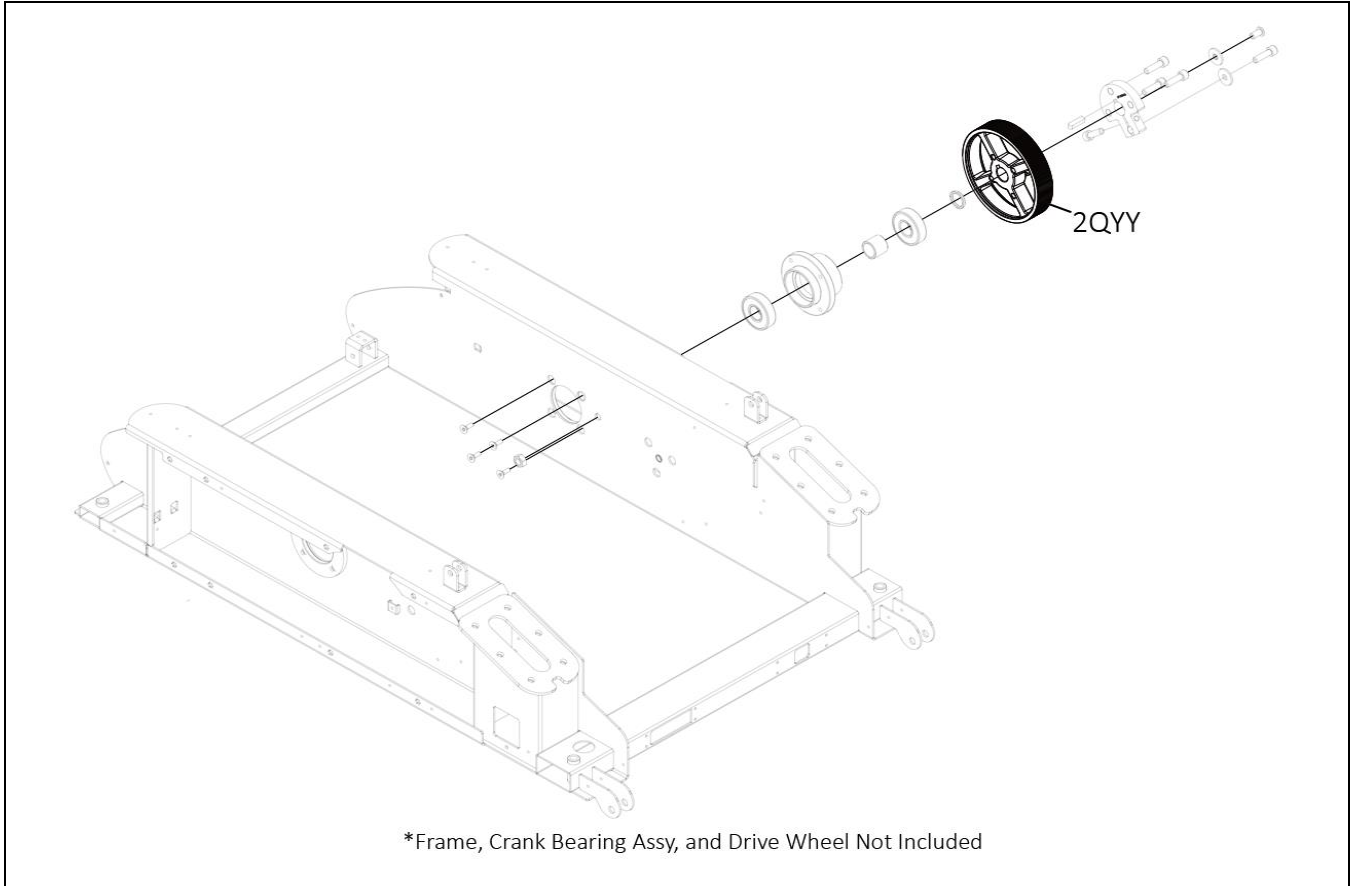


TRUE FITNESS®

TRUE PART No: 7CX0050

Vendor PART No: 10F12QYY

Drive Wheel



Bill of Material:

Key No:	Vendor Part No.	TRUE Part Number (if applicable)	Description:	Units:	Quantity:
2QYY	10F12QYY		Drive Wheel		1

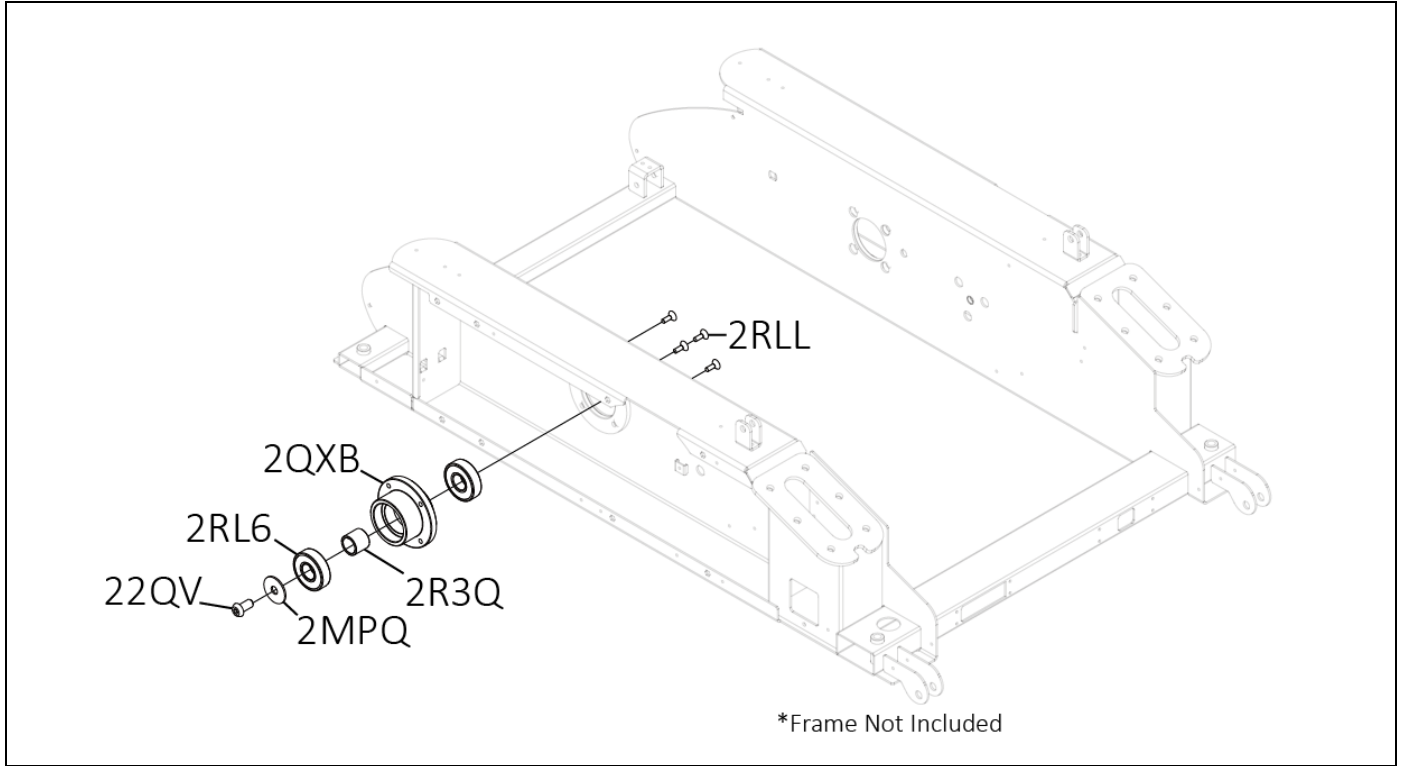


TRUE FITNESS®

TRUE PART No: 7CX0021

Vendor PART No: XXXXX

Crank Bearing Sub-Assembly



Bill of Material:

Key No:	Vendor Part No.	TRUE Part Number (if applicable)	Description:	Units:	Quantity:
22QV	260822QV		Hex. Soc. Truss Hd. Screw M10*1.5-20		1
2MPQ	25012MPQ		Flat Washer Φ 10*30-3		1
2RL6	20012RL6		Ball Bearing 6305ZZ SKF		2
2R3Q	10F12R3Q		Bearing Seat Bushing		1
2QXB	10F12QXB		Bearing Seat		1
2RLL	26042RLL		Hex. Soc. Countersunk Hd. Screw M8*1.25-20		4

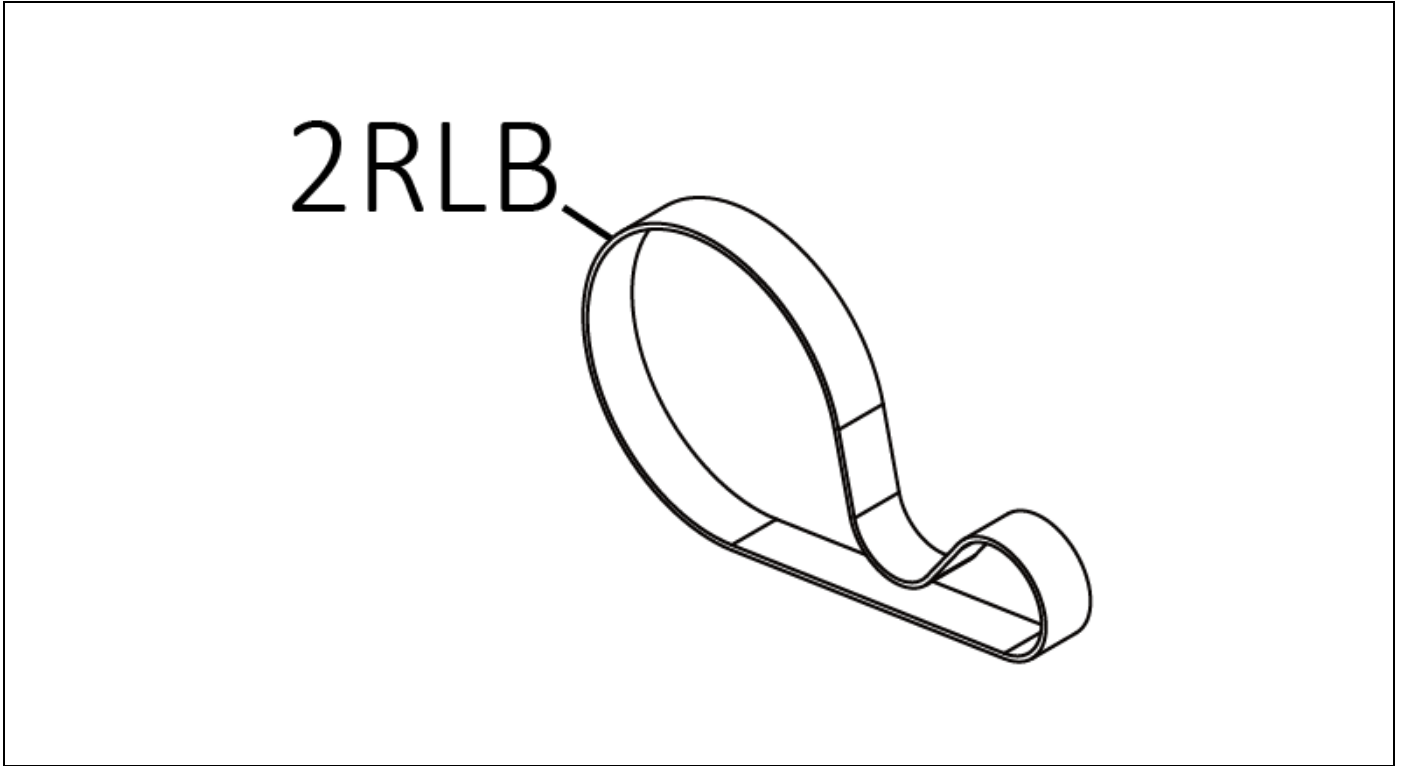


TRUE FITNESS[®]

TRUE PART No: 7CX0018

Vendor PART No: 25722RLB

Drive Belt PJ864



Bill of Material:

Key No:	Vendor Part No.	TRUE Part Number (if applicable)	Description:	Units:	Quantity:
2RLB	25722RLB	7CX0018	Drive Belt PJ864		1

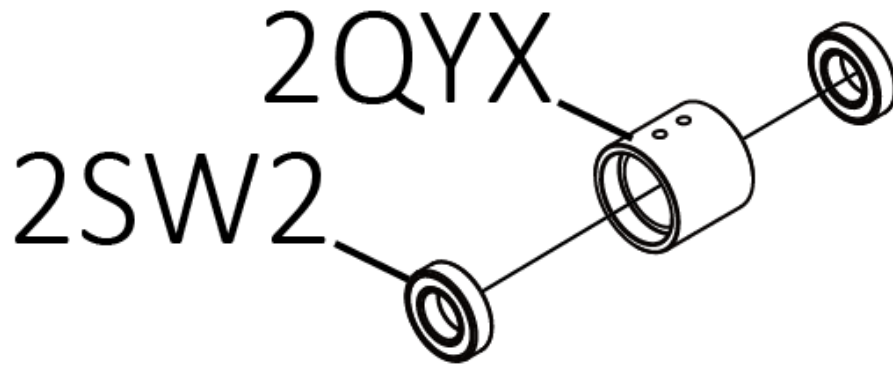


TRUE FITNESS[®]

TRUE PART No: 7CX0013

Vendor PART No: XXXXX

Shaft Sleeve Assembly



Bill of Material:

Key No:	Vendor Part No.	TRUE Part Number (if applicable)	Description:	Units:	Quantity:
2QYX	10F12QYX	-	Shaft Sleeve		1
2SW2	20012SW2	7CX0082	Bearing		2

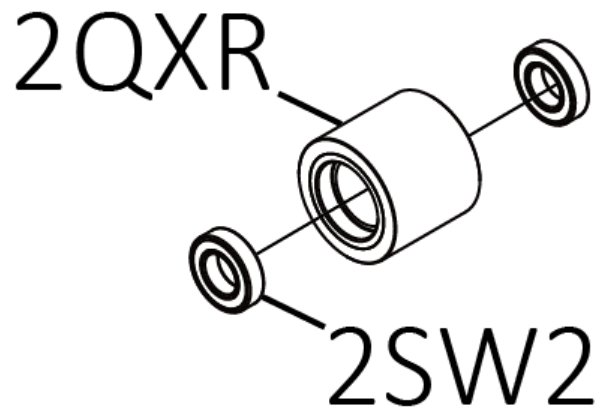


TRUE FITNESS[®]

TRUE PART No: 7CX0012

Vendor PART No: XXXXX

Rolling Wheel Assembly



Bill of Material:

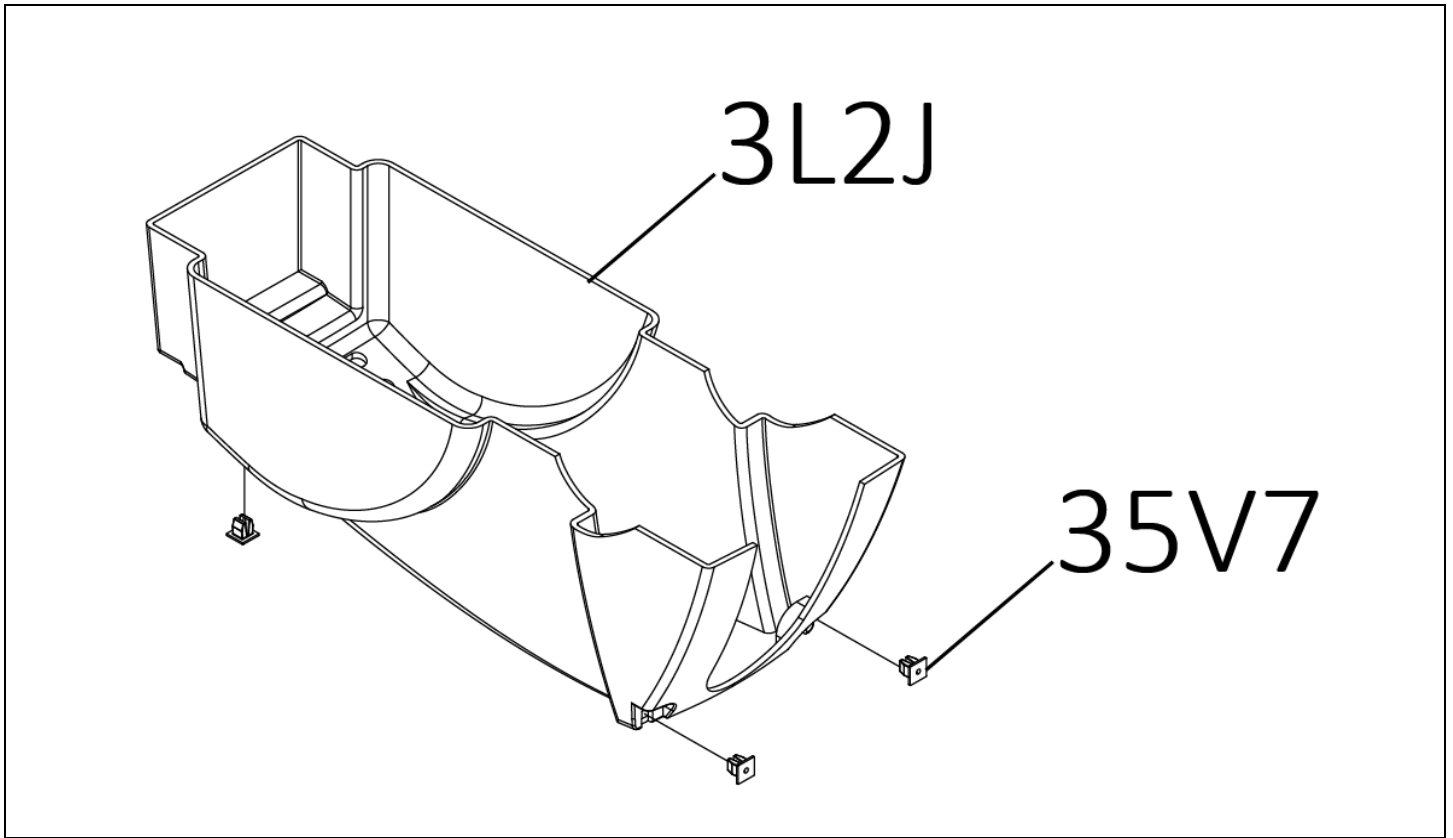
Key No:	Vendor Part No.	TRUE Part Number (if applicable)	Description:	Units:	Quantity:
2QXR	10F12QXR	-	Rolling Wheel		1
2SW2	20012SW2	-	Ball Bearing		2



TRUE FITNESS®

TRUE Part No: 7TS1092

Bottom Stride Motor Cover



Bill of Material:

Key No	Vendor Part No.	TRUE Part Number	Description	Qty
3L2J	-	7TS1092	Bottom Stride Motor Cover	1
35V7	10H635V7	-	Screw Support	3

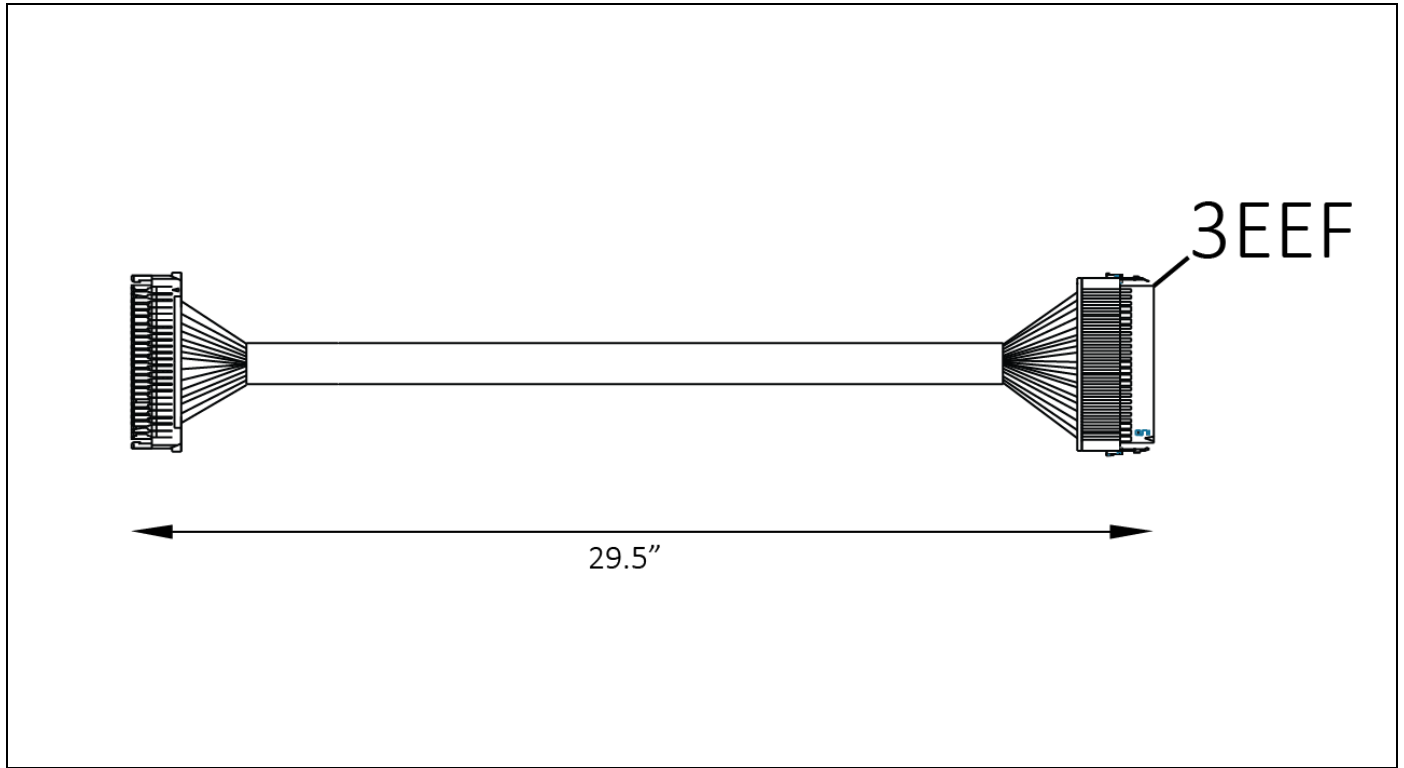


TRUE FITNESS®

TRUE PART No: 70592000

Vendor PART No: **C1083EEF**

50 Pin Cable



Bill of Material:

Key No:	Vendor Part No.	TRUE Part Number (if applicable)	Description:	Units:	Quantity:
3EEF	C1083EEF	70592000	50 Pin Cable		1

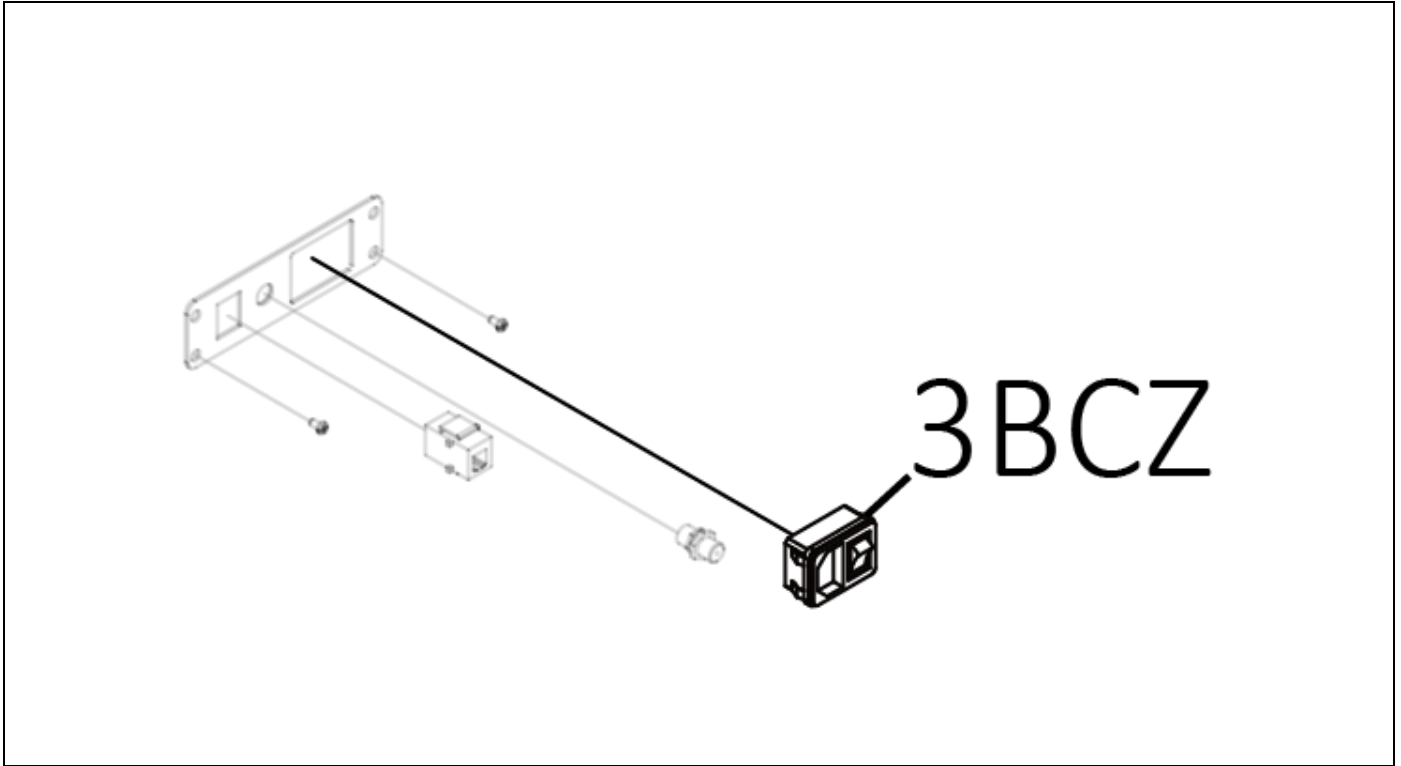


TRUE FITNESS[®]

TRUE PART No: 7XCS0116

Vendor PART No: **10J33BCZ**

AC Inlet



Bill of Material:

Key No:	Vendor Part No.	TRUE Part Number (if applicable)	Description:	Units:	Quantity:
3BCZ	10J33BCZ		AC Inlet		1

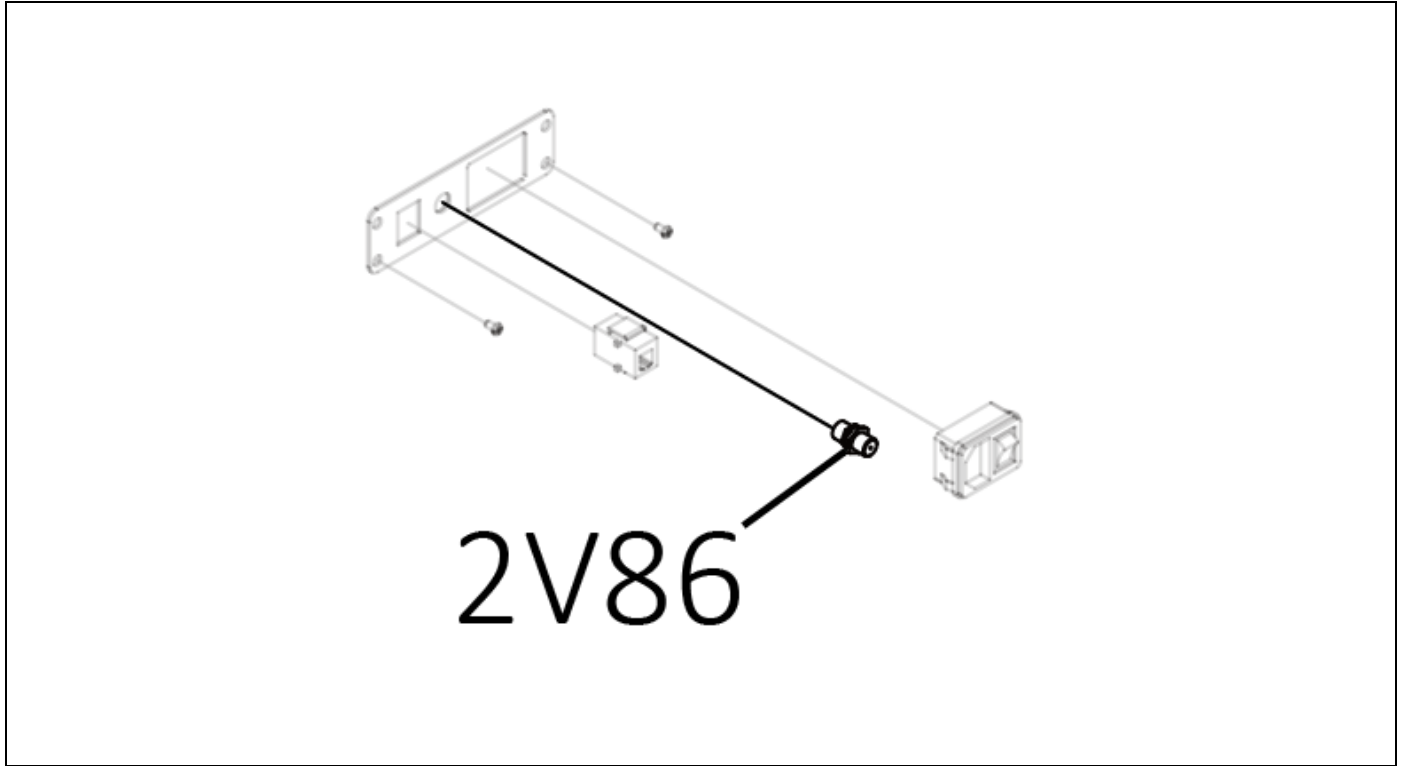


TRUE FITNESS[®]

TRUE PART No: 7XCS0115

Vendor PART No: **10F12V86**

Coaxial Connector



Bill of Material:

Key No:	Vendor Part No.	TRUE Part Number (if applicable)	Description:	Units:	Quantity:
2V86	10F12V86	7XCS0115	Coaxial Connector		1

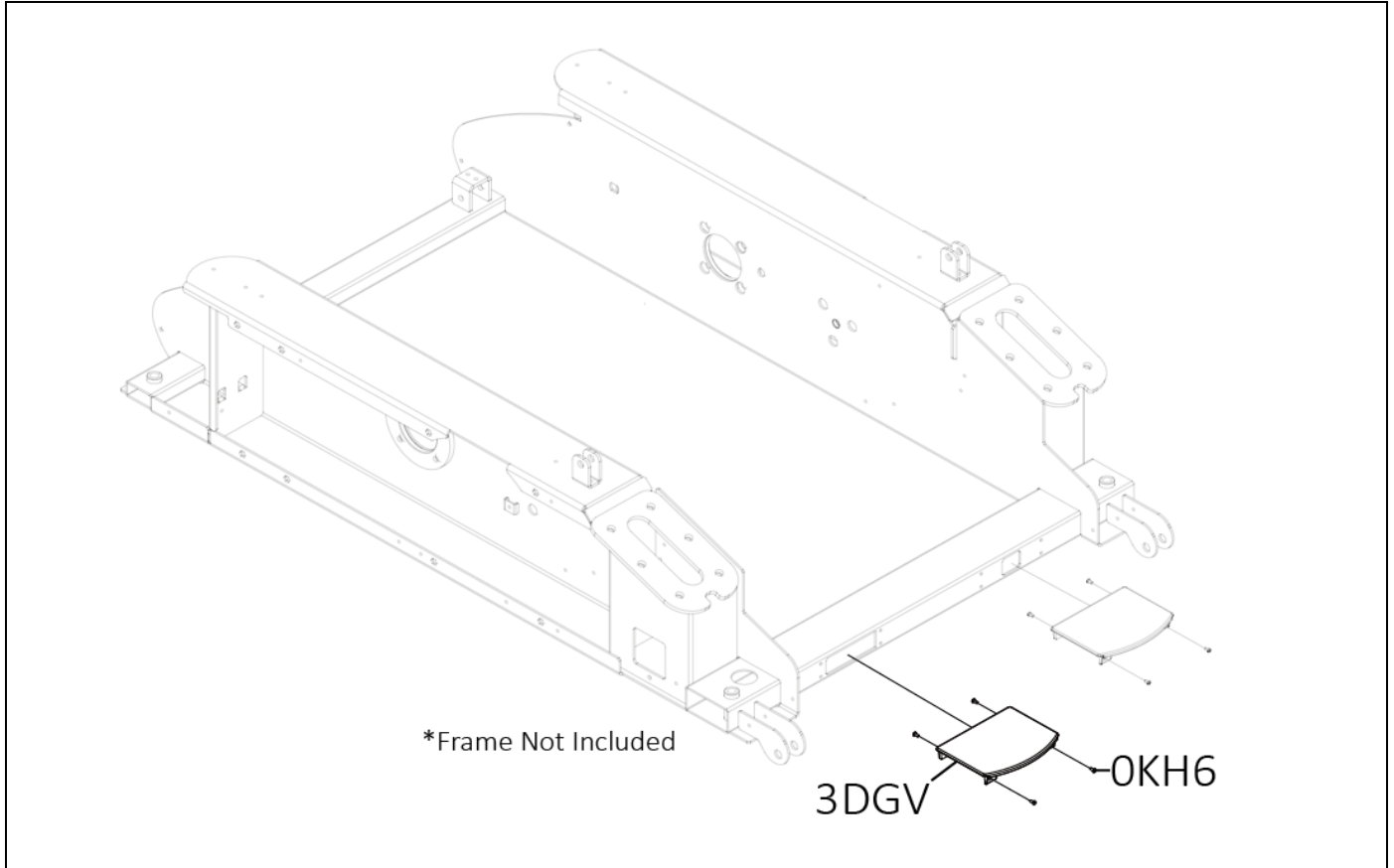


TRUE FITNESS®

TRUE PART No: 7XCS0089

Vendor PART No: XXXXX

Power Plate Cover (Single)



Bill of Material:

Key No:	Vendor Part No.	TRUE Part Number (if applicable)	Description:	Units:	Quantity:
3DGV	10J73DGV		Power Plate Cover		1
OKH6	2669BNFA24		Cr. Re. Pan Hd. Screw M5*0.8-12		4

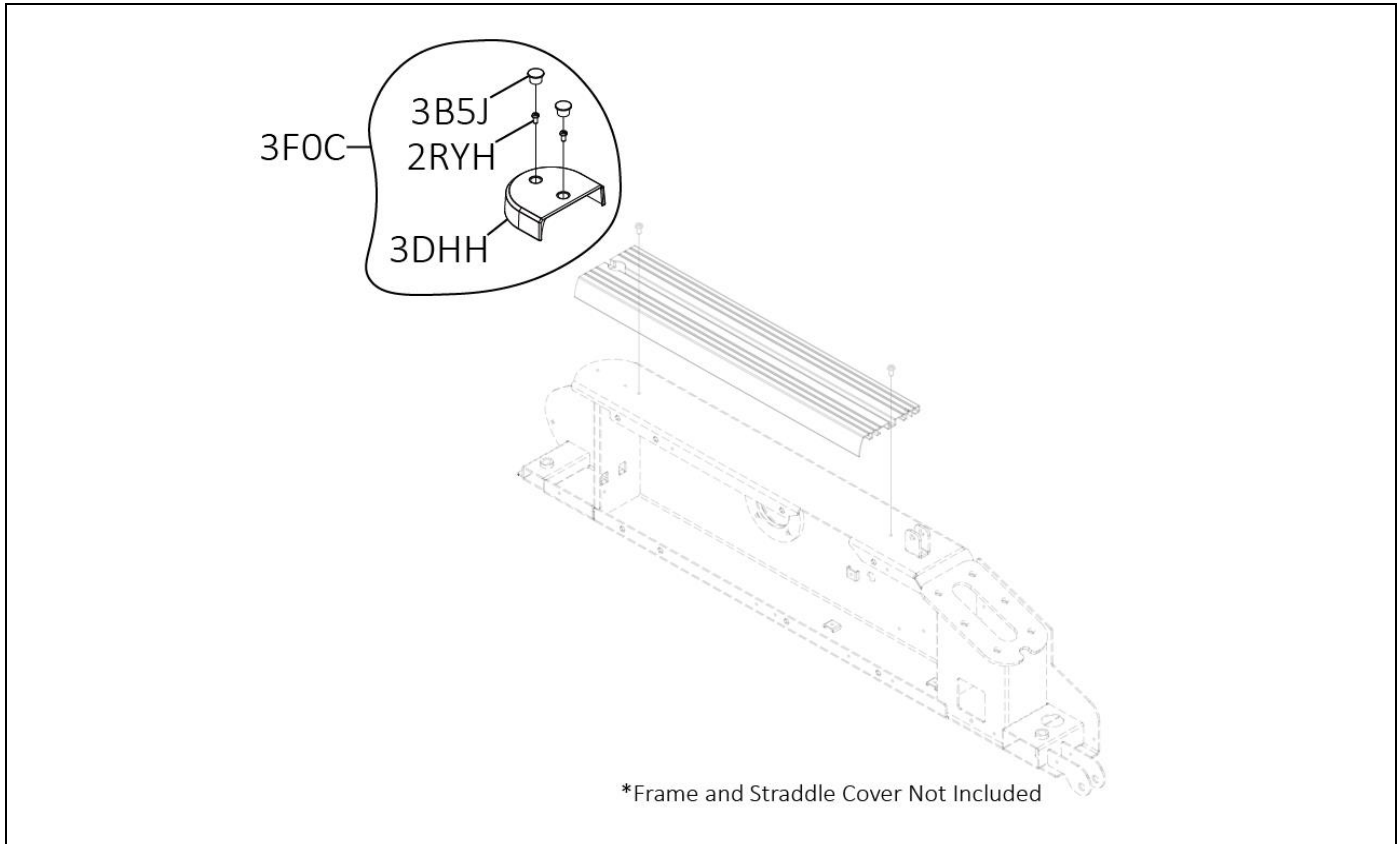


TRUE FITNESS[®]

TRUE PART No: 7XCS0076R

Vendor PART No: **XXXXX**

Right Straddle Cover End Cap Assembly



Bill of Material:

Key No:	Vendor Part No.	TRUE Part Number (if applicable)	Description:	Units:	Quantity:
3DHH	10J73DHH		Right Straddle Cover End Cap		1
2RYH	26682RYH		Cr. Re. Pan Hd. Screw M5*0.8-12		2
3B5J	10J33B5J		Screw Cap		2

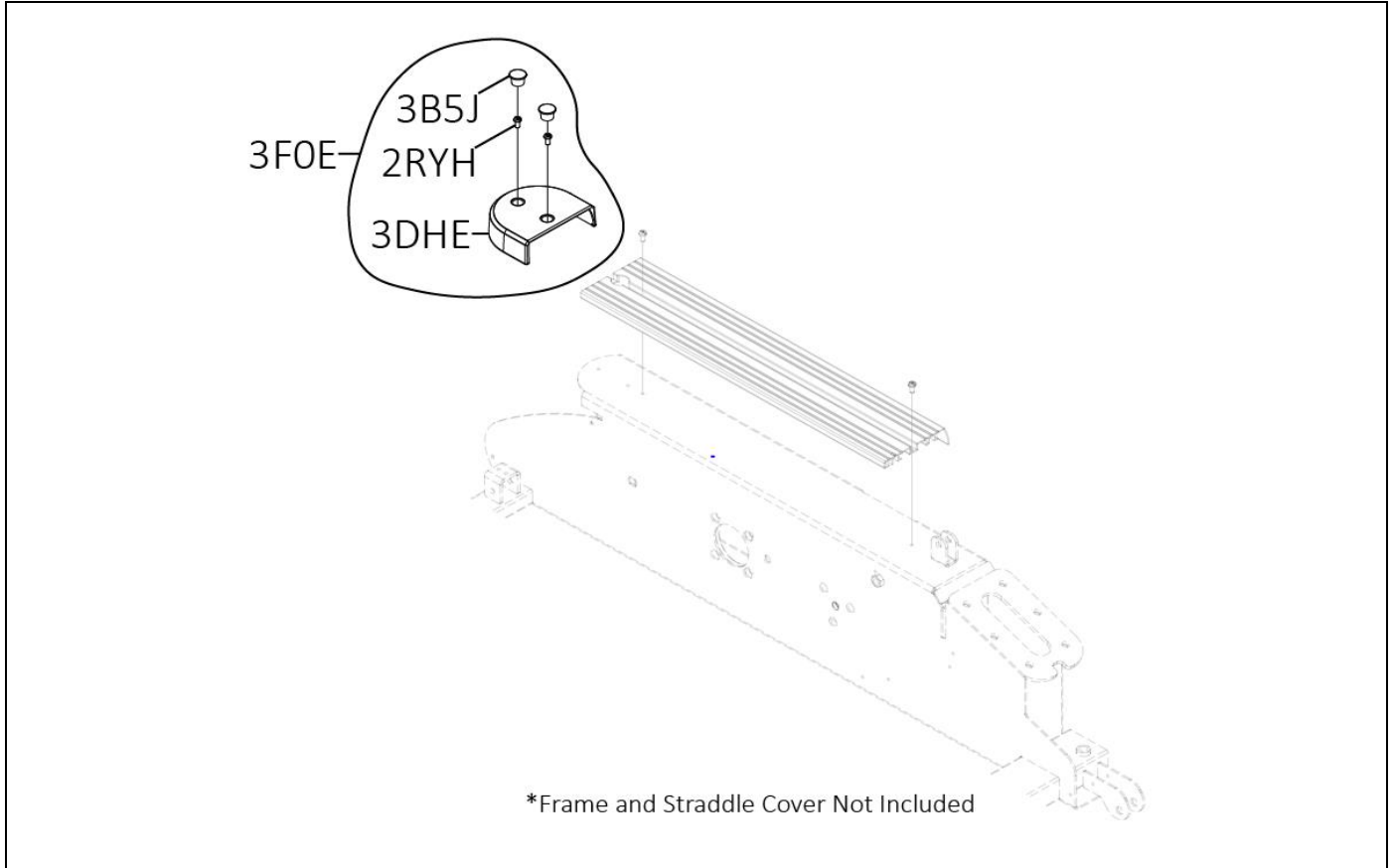


TRUE FITNESS®

TRUE PART No: 7XCS0076L

Vendor PART No: XXXXX

Left Straddle Cover End Cap Assembly



Bill of Material:

Key No:	Vendor Part No.	TRUE Part Number (if applicable)	Description:	Units:	Quantity:
3DHE	10J73DHE		Left Straddle Cover End Cap		1
2RYH	26682RYH		Cr. Re. Pan Hd. Screw M5*0.8-12		2
3B5J	10J33B5J		Screw Cover		2

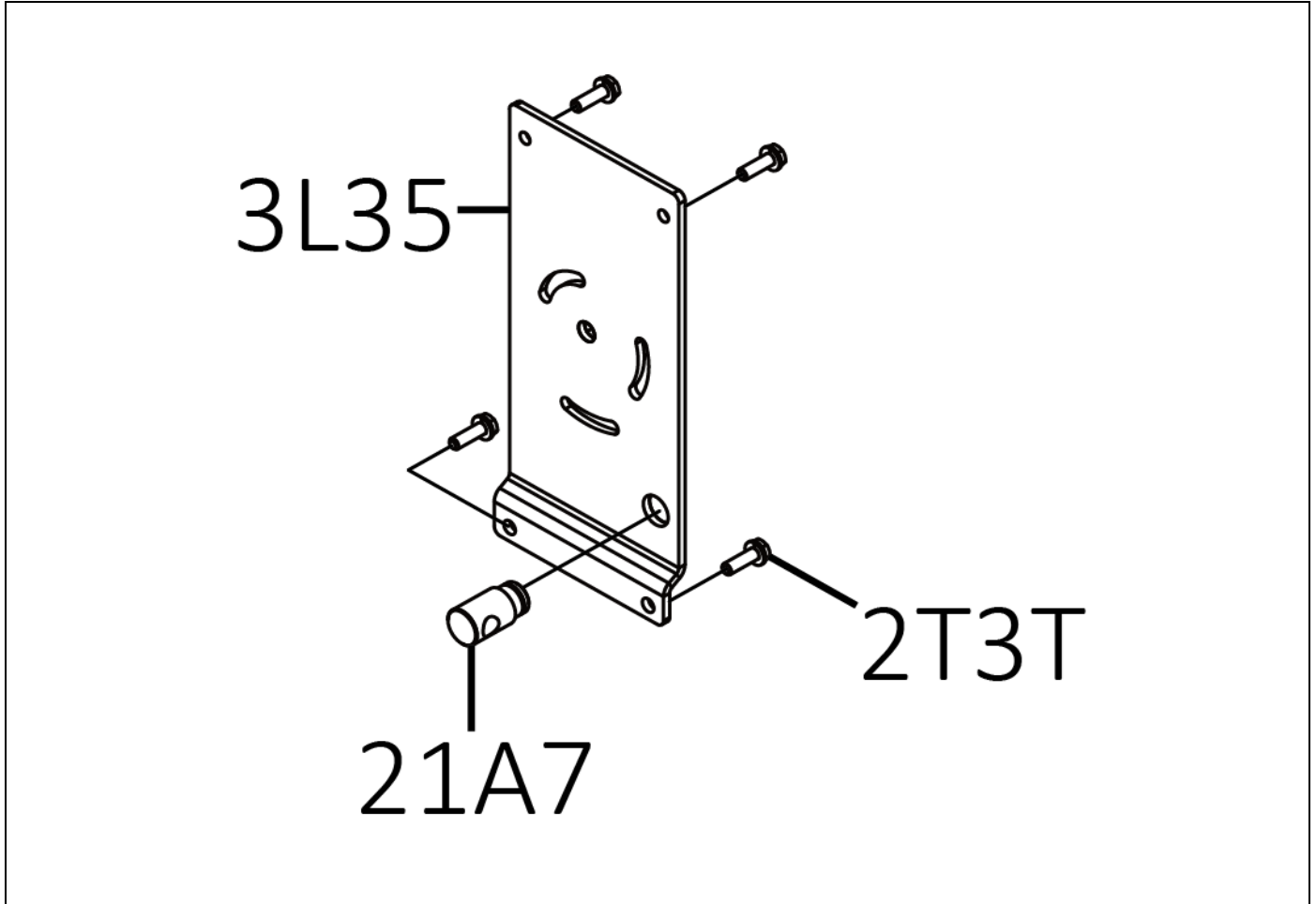


TRUE FITNESS®

TRUE PART No: 7XCS0071

Vendor PART No: XXXXX

Bracket for 1st Stage Tensioner Assembly



Bill of Material:

Key No:	Vendor Part No.	TRUE Part Number (if applicable)	Description:	Units:	Quantity:
3L35	10K43L35		Bracket for 1 st Stage Tensioner		1
2T3T	26152T3T		Hex. Hd. Screw and Washer M6*1.0-20		4
21A7	110821A7		Retaining Ring		1

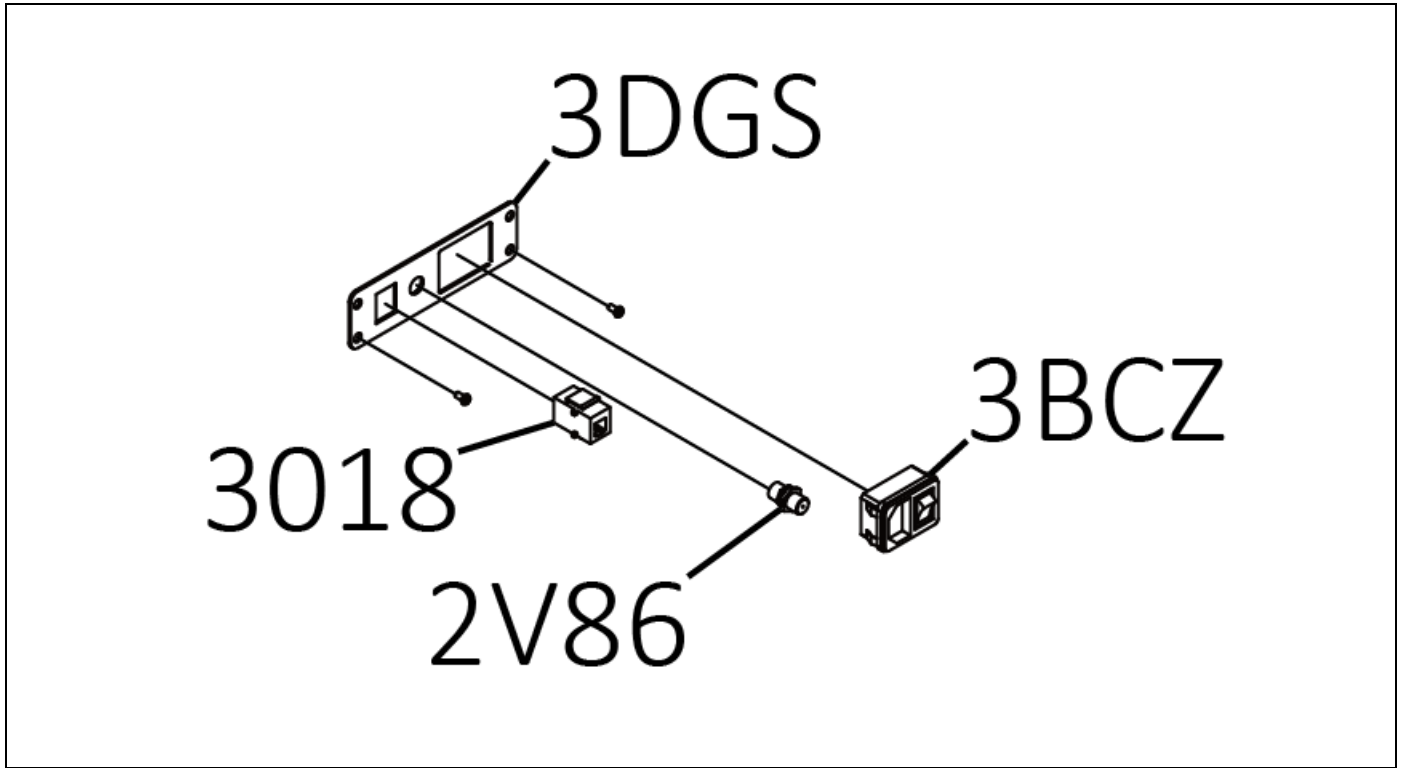


TRUE FITNESS[®]

TRUE PART No: 7XCS0070

Vendor PART No: XXXXX

Power Plate Assembly



Bill of Material:

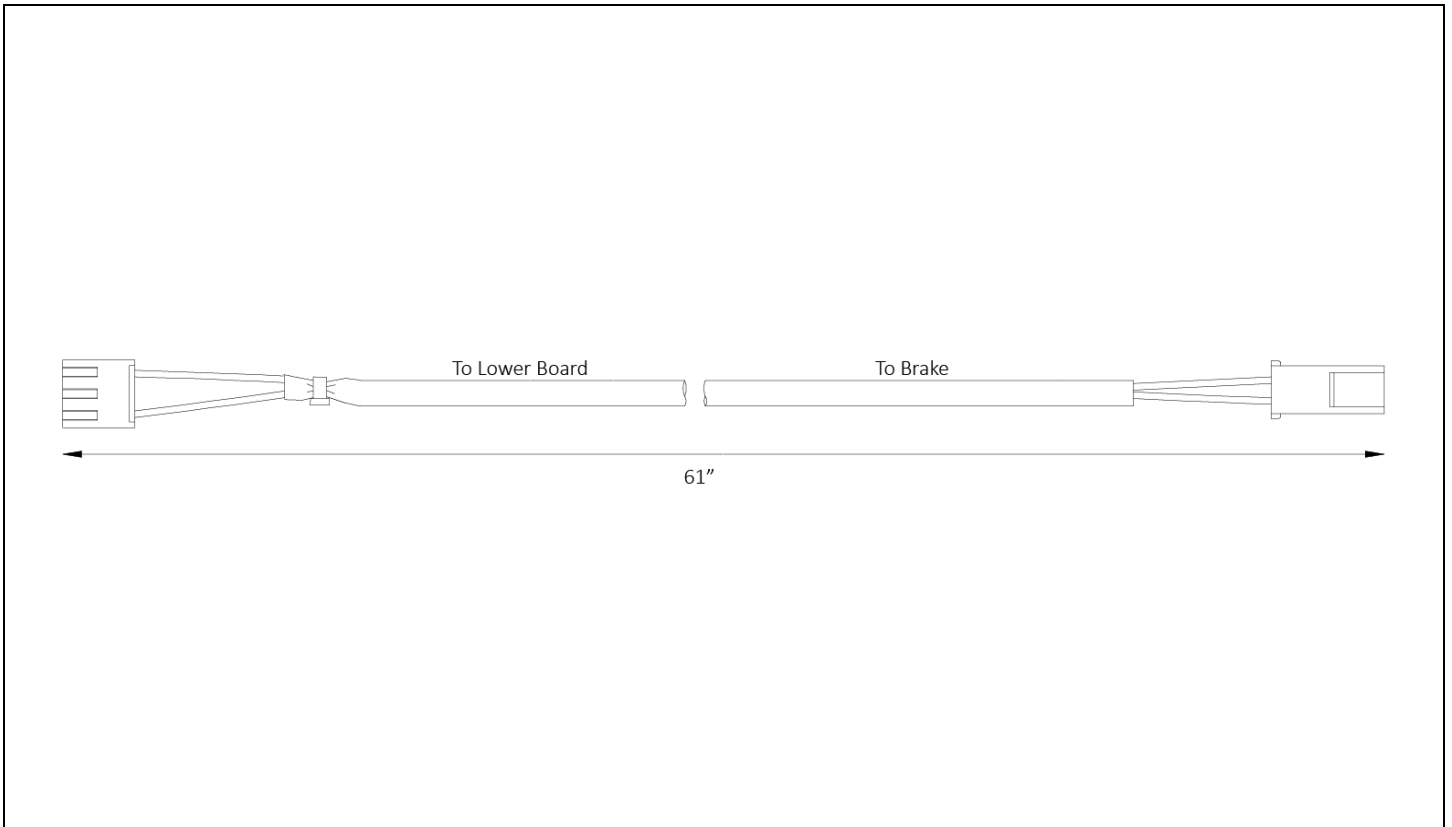
Key No:	Vendor Part No.	TRUE Part Number (if applicable)	Description:	Units:	Quantity:
3DGS	10J73DGS		Power Plate		1
3BCZ	10J33BCZ		AC Inlet		1
2V86	10F12V86		Coaxial Connector		1
3018	10E13018		Ethernet Inlet		1



TRUE FITNESS®

TRUE Part No: **7XCS0063**

Brake Coil Cable



Bill of Material:

Key No	Vendor Part No.	TRUE Part Number	Description	Qty
3L5C	10K43L5C	7XCS0063	Brake Coil Cable	1

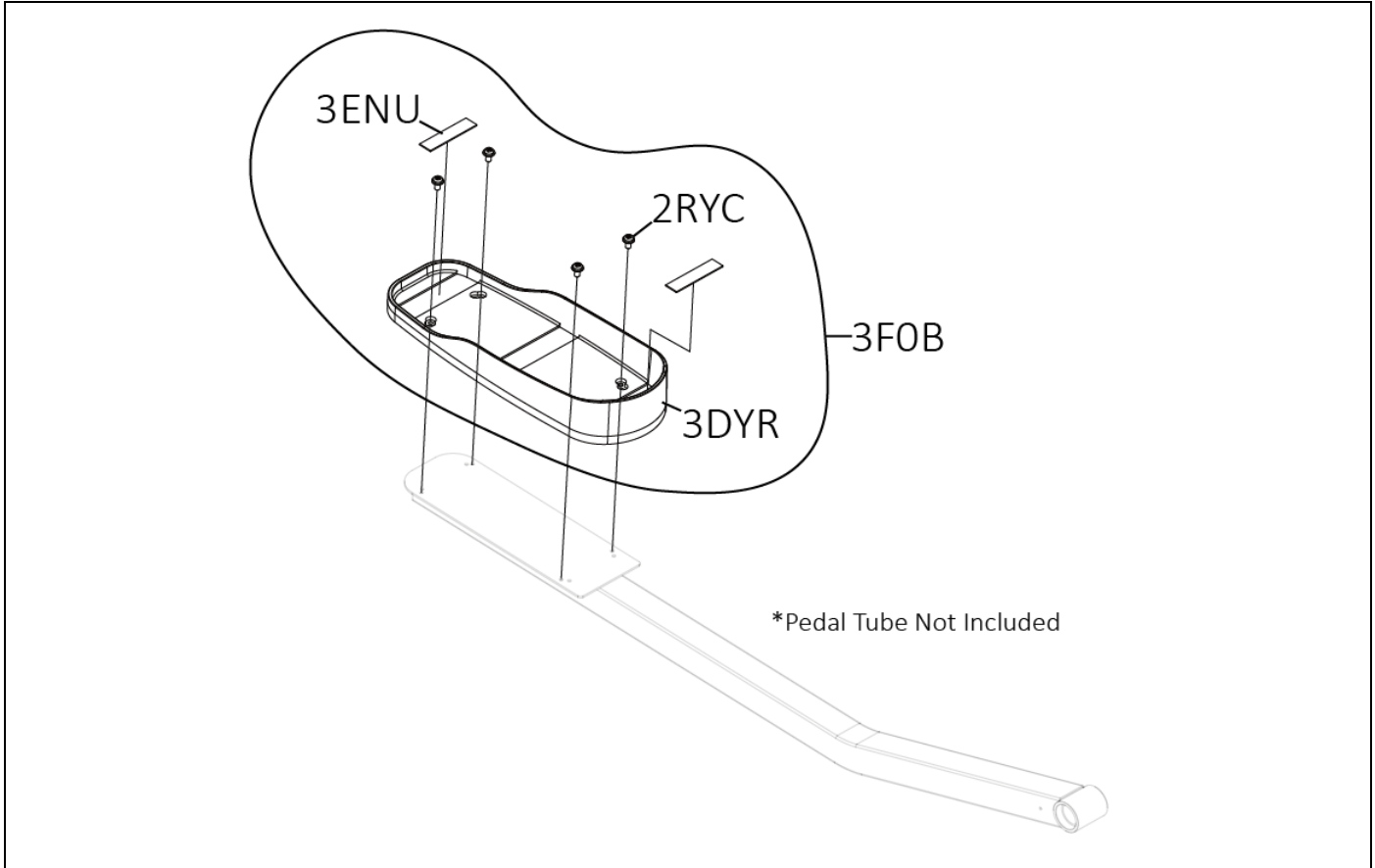


TRUE FITNESS®

TRUE PART No: 7XCS0059

Vendor PART No: XXXXX

Plastic Foot Skate Assembly



Bill of Material:

Key No:	Vendor Part No.	TRUE Part Number (if applicable)	Description:	Units:	Quantity:
3DYR	10J73DYR	-	Foot Skate		1
2RYC	26412RYC	-	Cr. Re. Round Washer Hd. Screw M6*1.0-12		4
3ENU	10J73ENU	-	Velcro Strip		2

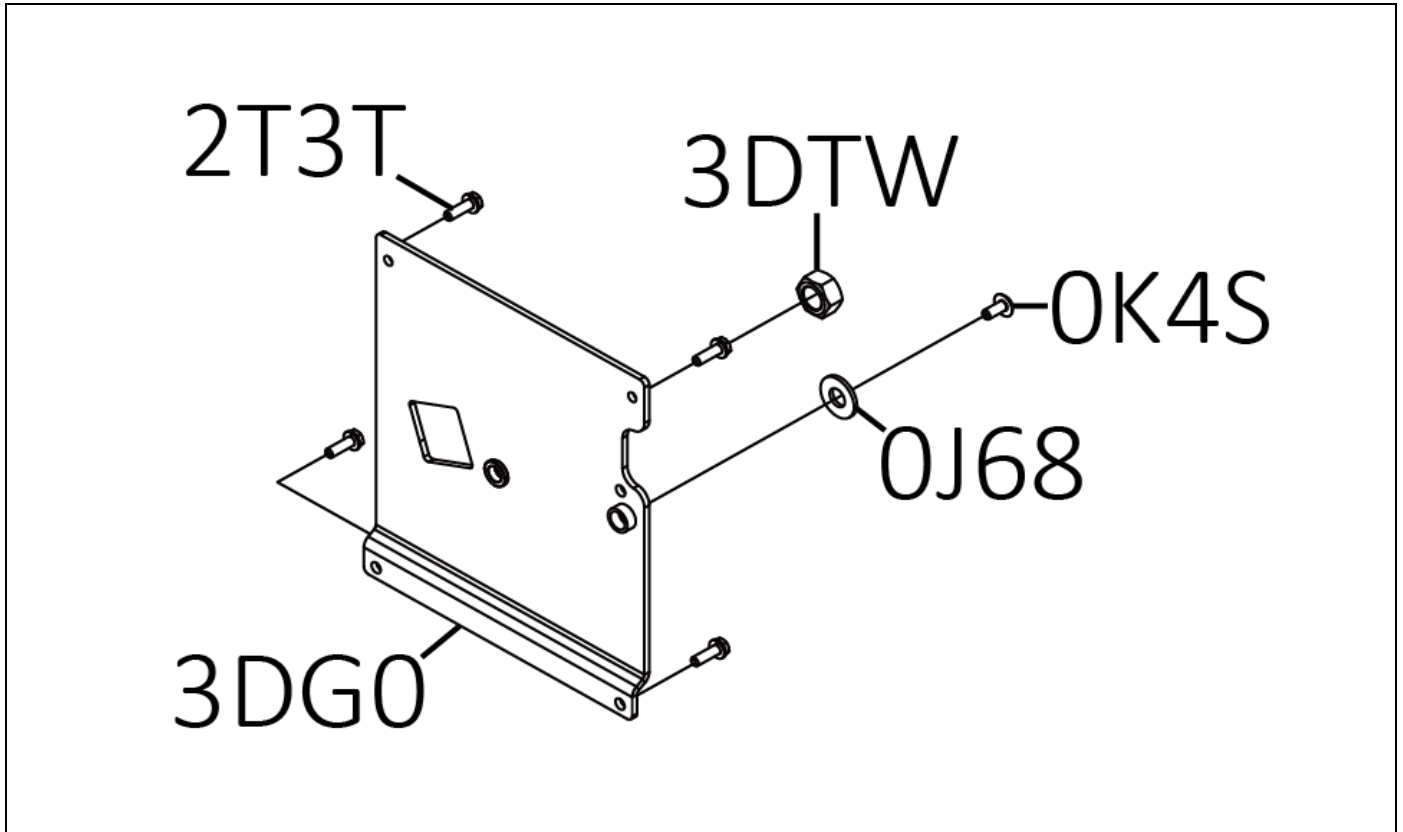


TRUE FITNESS®

TRUE PART No: 7XCS0053

Vendor PART No: XXXXX

Bracket for 2nd Stage Tensioner Assembly



Bill of Material:

Key No:	Vendor Part No.	TRUE Part Number (if applicable)	Description:	Units:	Quantity:
3DG0	10J73DG0		Bracket for 2 nd Stage Tensioner		1
2T3T	26152T3T		Hex. Hd. Screw and Washer M6*1.0-20		4
3DTW	27013DTW		Hex. Nut 3/8"*26T,T=8		1
OK4S	2634BFDA25		Cr. Re. Truss Hd. Screw M5*0.8-16		1
OJ68	2501MZDN05		Flat Washer $\phi 5 \times 10-1$		1

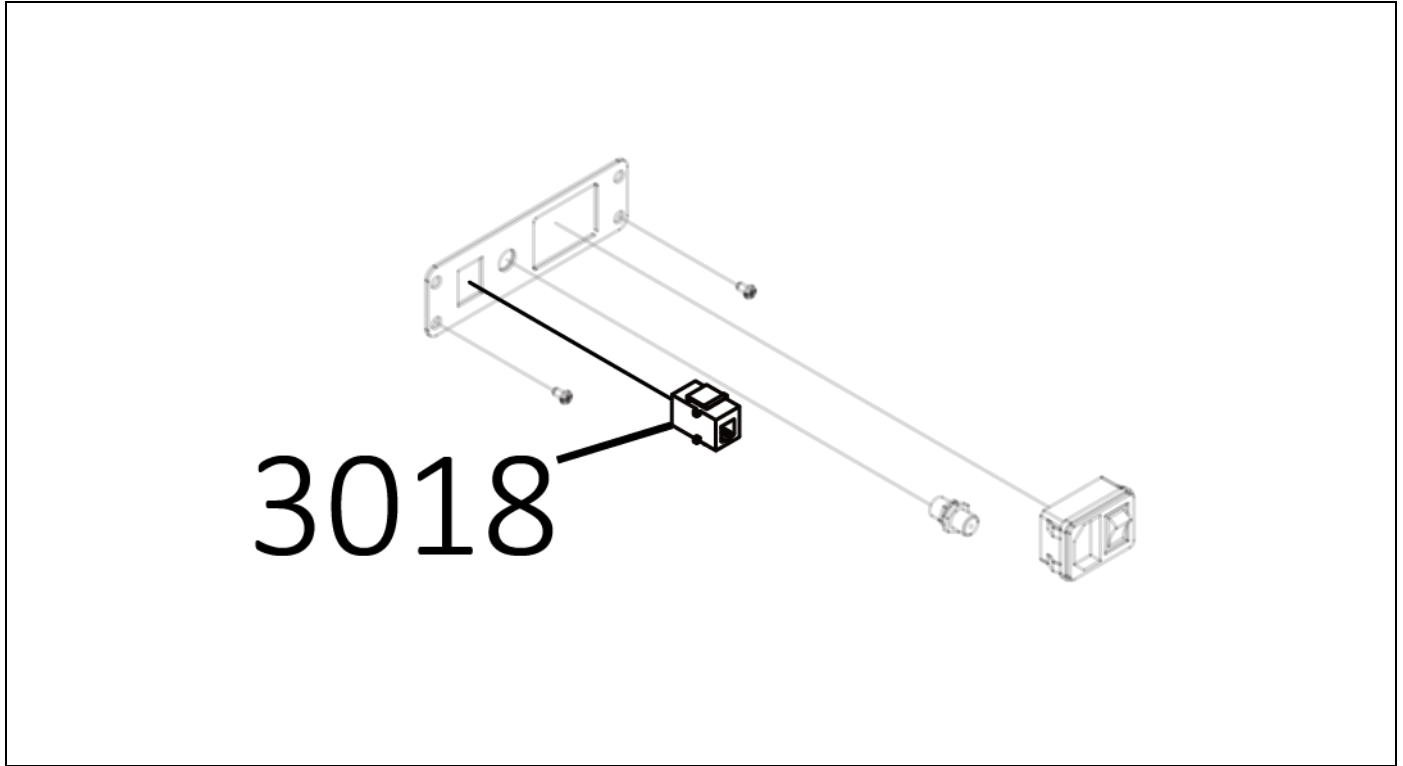


TRUE FITNESS[®]

TRUE PART No: 7XCS0028

Vendor PART No: 10E13018

Ethernet Connector



Bill of Material:

Key No:	Vendor Part No.	TRUE Part Number (if applicable)	Description:	Units:	Quantity:
3018	10E13018	7XCS0028	Ethernet Connector		1

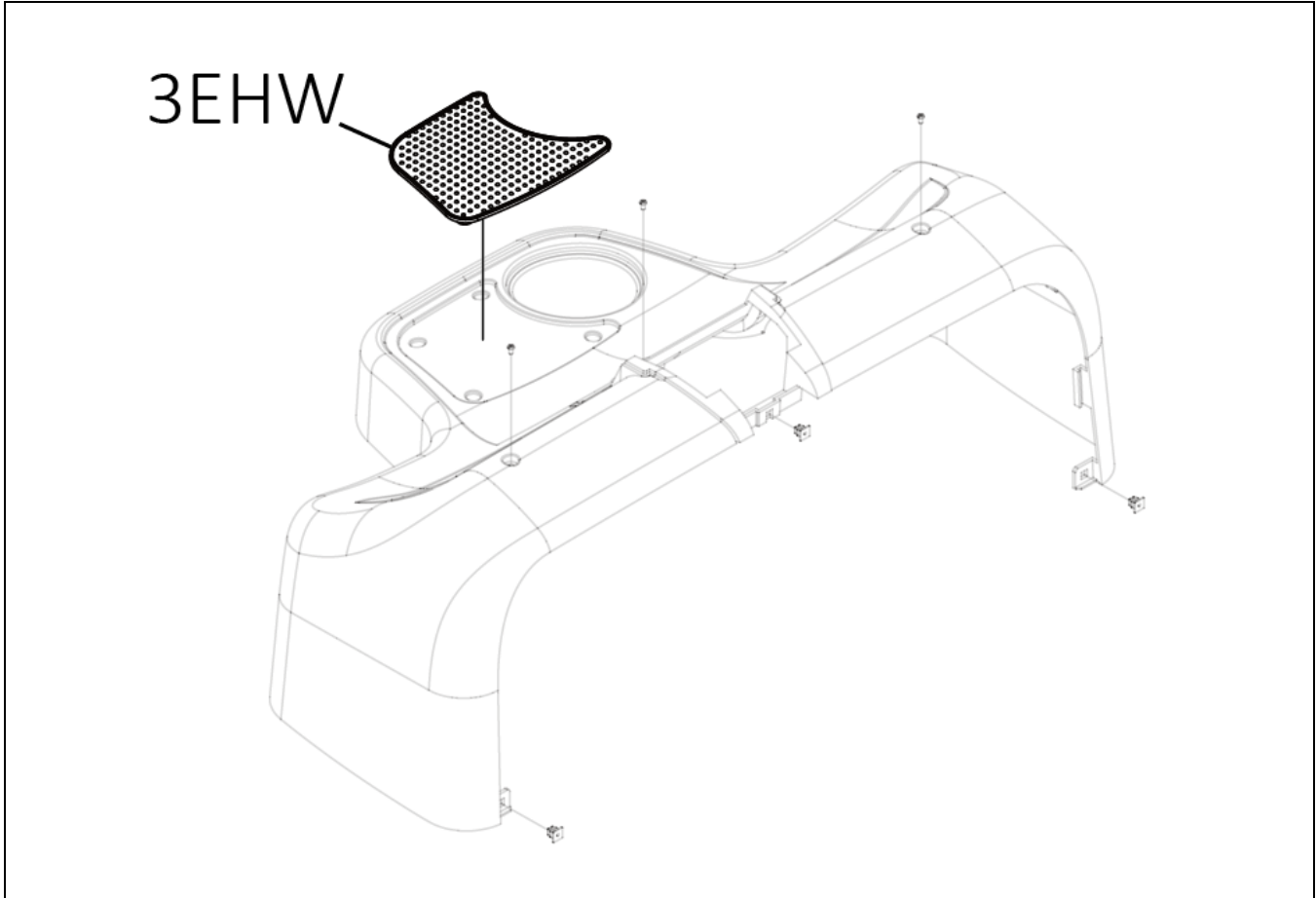


TRUE FITNESS[®]

TRUE PART No: 7XCS0006

Vendor PART No: **10J73EHW**

Accessory Tray Pad



Bill of Material:

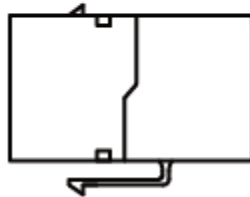
Key No:	Vendor Part No.	TRUE Part Number (if applicable)	Description:	Units:	Quantity:
3EHW	10J73EHW	7XCS0006	Accessory Tray Pad		1



TRUE FITNESS[®]

TRUE PART No: 7TS1086
Ethernet Connector

3018



Bill of Material:

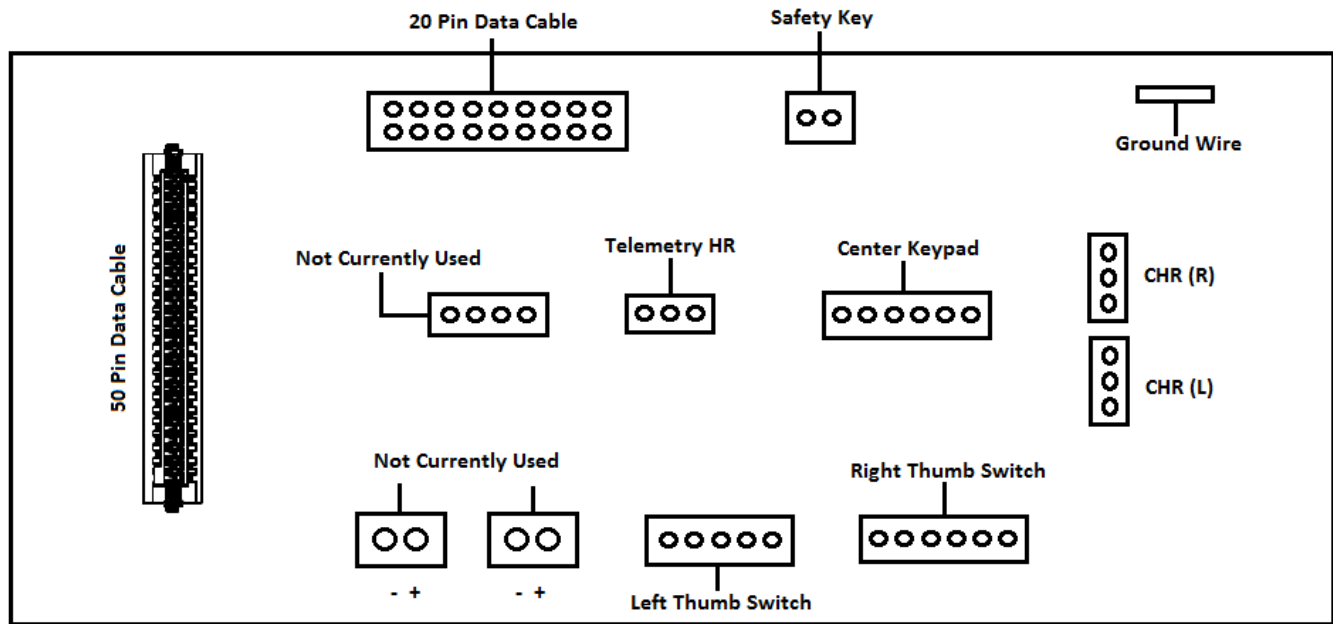
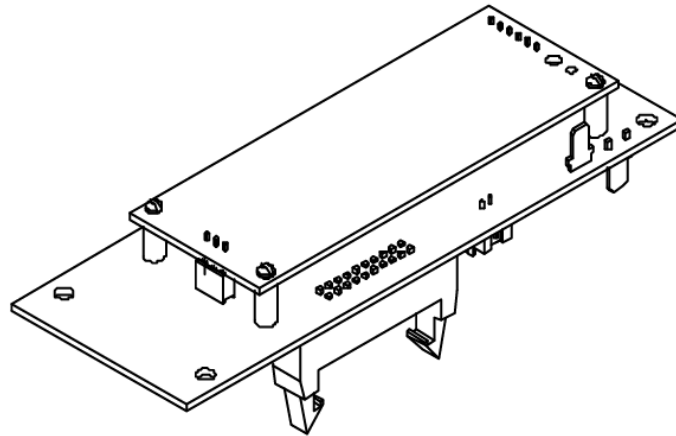
Key No:	Vendor Part No.	TRUE Part Number (if applicable)	Description:	Units:	Quantity:
3018	10E13018		Ethernet Connector		1



TRUE FITNESS®

TRUE Part No: 70505000

Breakout Board



Bill of Material:

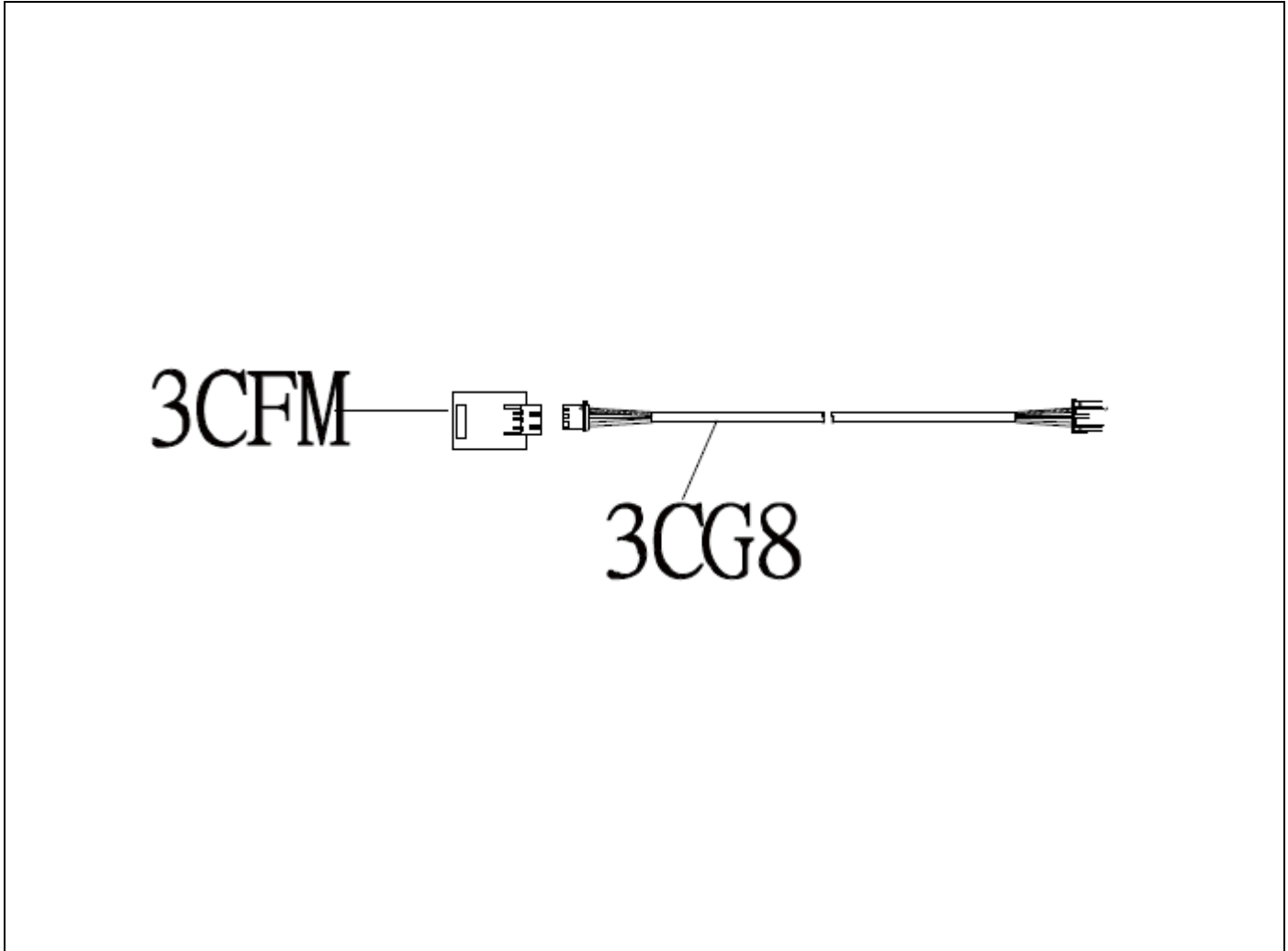
Key No	Vendor Part No.	TRUE Part Number	Description	Qty
126	XEK-286	70505000	Breakout Board	1



TRUE FITNESS®

TRUE PART No: 7XCS0036

Polar Board w/Cable



Bill of Material:

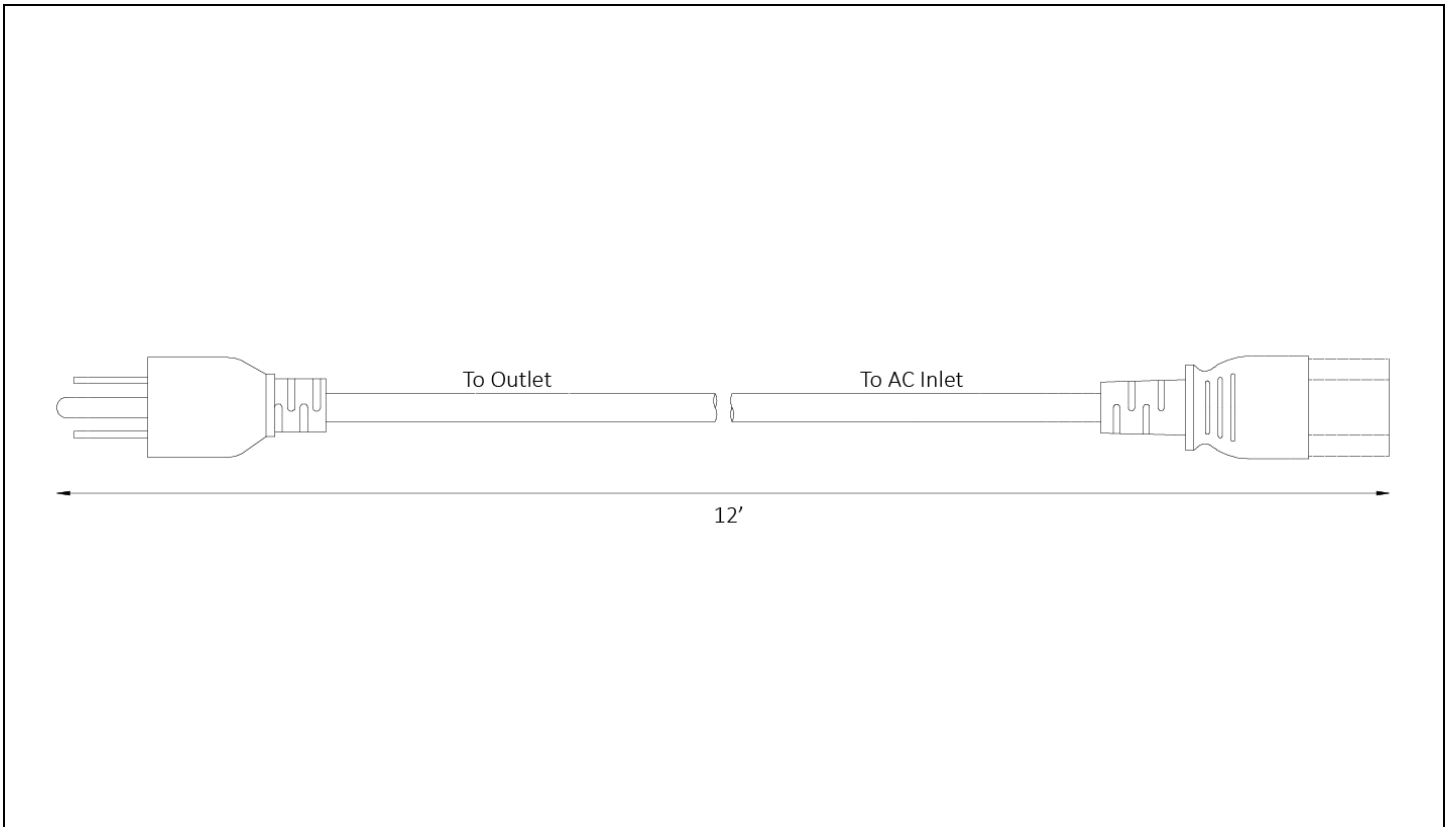
Key No:	Vendor Part No.	TRUE Part Number (if applicable)	Description:	Units:	Quantity:
3CFM	10J63CFM		POLAR BOARD	PC	1
3CG8	10J63CG8		LEAD WIRE ASS'Y	PC	1



TRUE FITNESS®

TRUE Part No: **7XPS0080**

12' Power Cord



Bill of Material:

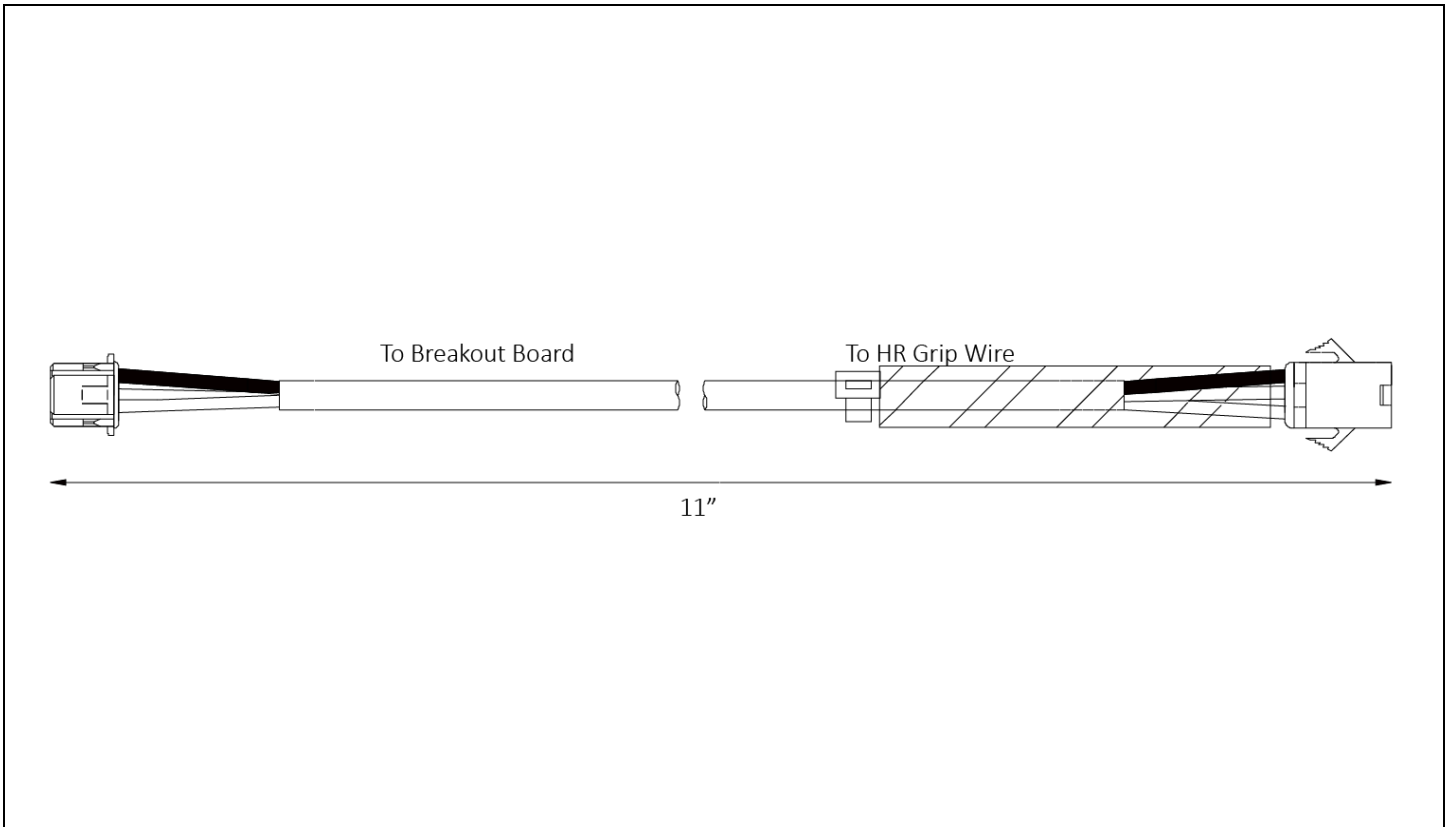
Key No	Vendor Part No.	TRUE Part Number	Description	Qty
2B2Q	10B82B2Q	7XPS0080	12' Power Cord	1



TRUE FITNESS®

TRUE Part No: **7TS1088**

Upper HR Wire



Bill of Material:

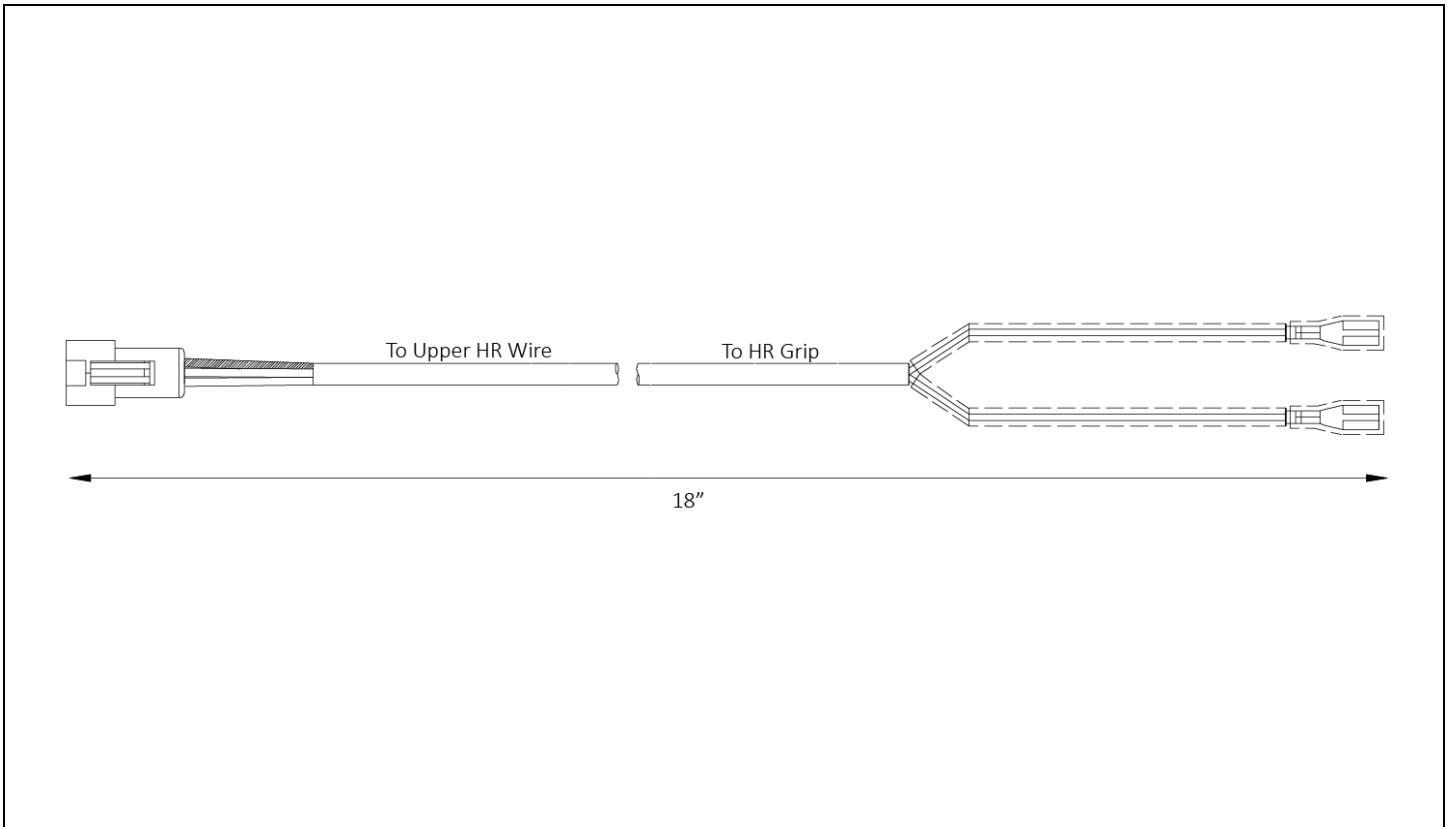
Key No	Vendor Part No.	TRUE Part Number	Description	Qty
3L5H	10K43L5H	7TS1088	Upper HR Wire	1



TRUE FITNESS®

TRUE Part No: **7TS1087**

Handlebar HR Wire



Bill of Material:

Key No	Vendor Part No.	TRUE Part Number	Description	Qty
3L5W	10K43L5W	7TS1087	Handlebar HR Wire	1