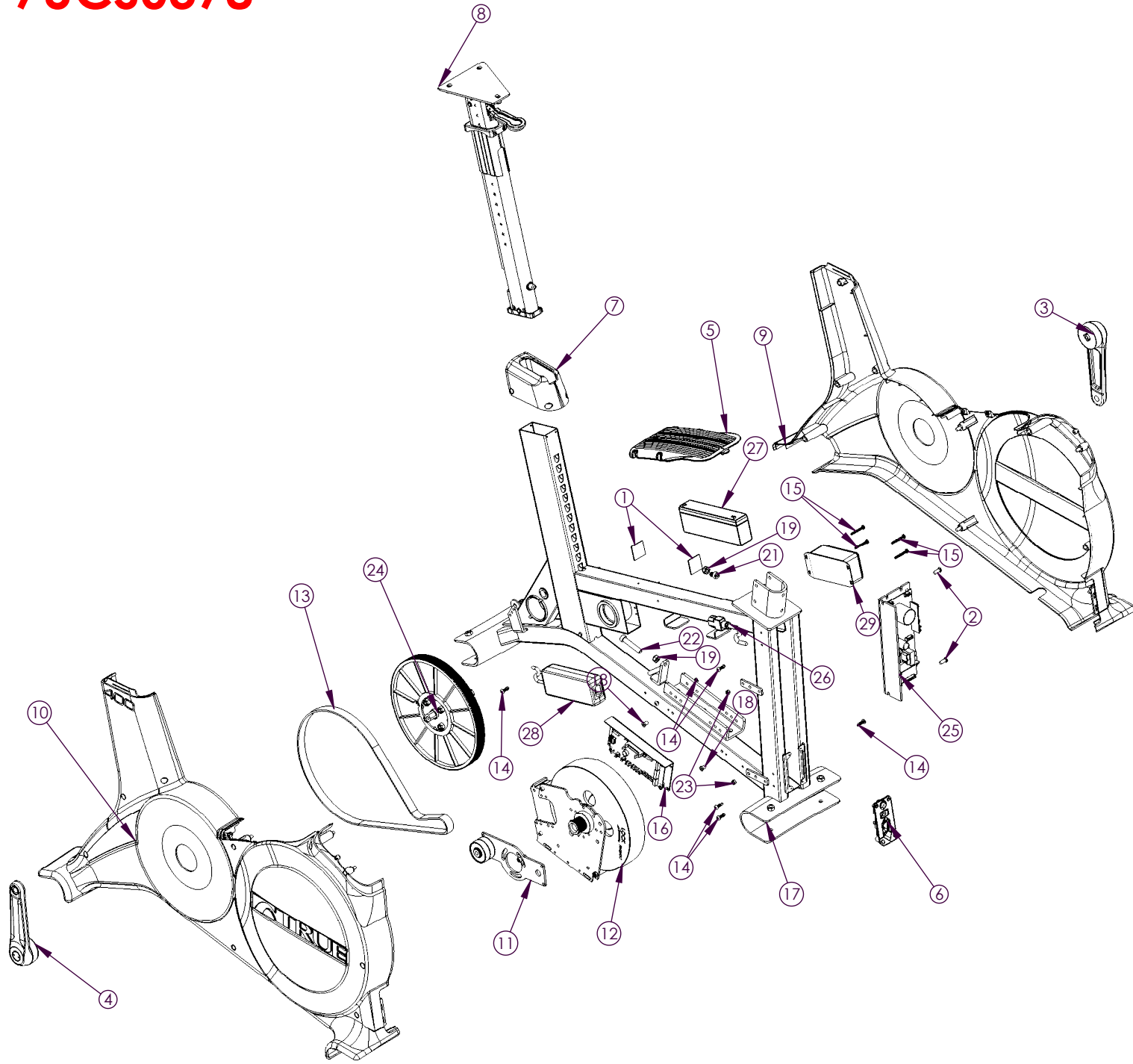




# 7UCS0378



ITEM NO.	TRUE PART #	SRS Part #	DESCRIPTION	QTY.
1		PS28-UCS900-8		2
2	7CS80131	S0T-0515DB	SCREW M5X15L (BLACK)	2
3	7RB0022A		CRANK (L)	1
4	7RB0023A		CRANK (R)	1
5	7UCS0028		POWER SUPPLY ACCESS COVER	1
6	7UCS0029		POWER SUPPLY INLET	1
7	7UCS0035		SEAT POST COVER SET - TRUE BLUE	1
8	7UCS0037		SEAT POST/SEAT LEVER ASSEMBLY	1
9	7UCS0039		SHROUD ASSEMBLY (L)	1
10	7UCS0040		SHROUD ASSEMBLY (R)	1
11	7UCS0050		TENSIONER ASSEMBLY, UC400	1
12	7UCS0054		BRAKE/GEN ASSEMBLY, 450 WATT	1
13	7UCS0055	8PJ450	PRIMARY DRIVE BELT, UCS400	1
14	7UCS0304	S2T-0410DB	SCREW M4X10L	10
15	7UCS0363		SCREW, M4 X 35L, BLACK	4
16	7UCS0365		NUCLEUS BOARD ASSEMBLY	1
17	7UCS0366	WUCS900-01	FRAME WELDMENT, UPRIGHTS	1
18	7UCS0372		PAN HD SCREW, M5 X 10L	2
19	7UCS0373		HEX NUT, M8 X P1.25 X 6.5MM	2
20	7UCS0374		CHARGE PORT RECEPTACLE	1
21	7UCS0375		SOCKET HD CAP SCREW, M8 X 12L	1
22	7UCS0376		SOCKET HD CAP SCREW, M8 X P1.25 X 50L	1
23	7UCS0377		HEX NUT, M5 X 5.0T	2
24	7UES0020		CRANK ASSEMBLY	1
25	00591500		LOWER CONTROL BOARD	1
26	70560402		POWER CORD, FUYANG	1
27	70588800	SM-UCS900-31-4	12V LEAD ACID BATTERY	1
28	70595500		POWER SUPPLY, FUYANG 12V 6A	1
29	70596000	1590BSF	ERP ASSEMBLY	1

NOTE: ALL WEIGHTS AND DIMENSIONS ARE FOR REFERENCE ONLY

CONFIDENTIAL INFORMATION OF TRUE FITNESS TECHNOLOGY, INC. O'FALLON, MO. IT IS LOANED FOR CONFIDENTIAL USE. SUBJECT TO RETURN ON REQUEST, AND WITH THE MUTUAL UNDERSTANDING THAT IT WILL NOT BE USED IN ANY MANNER DETRIMENTAL TO THE INTERESTS OF TRUE FITNESS TECHNOLOGY, INC.

REV.	MCF#	DESCRIPTION	DATE	BY	APPRVL	TITLE	MATERIAL:	NOTES:	DRAWN BY	DATE	WEIGHT (KG)	DWG. SIZE	TRUE PART #:	REV.
A	-	ORIGINAL RELEASE	-	-	-	UC400 BASE ASSEMBLY	BREAK ALL SHARP CORNERS & EDGES					A	7UCS0378	
						UNLESS OTHERWISE SPECIFIED DIMENSIONS ARE IN MILLIMETERS								
						TOLERANCES UNLESS NOTED:								
						DECIMALS:								
						.X ±.787mm								
						.XX ±.381mm								
						.XXX ±.127mm								
						ANGULAR ±1°								
						HOLES ±.127mm								
						DO NOT SCALE DRAWING								



DWG. SIZE  
A

TRUE PART #:

7UCS0378


REV.

# UC400 SERVICE PARTS

ITEM NO.	TRUE PART #	SRS Part #	DESCRIPTION	QTY.	ITEM NO.	TRUE PART #	SRS Part #	DESCRIPTION	QTY.
1	7ZU0009	P08-A22EM-B	SEAT BOTTOM CUSHION (SADDLE) W/HARDWARE	1	31	7UCS0017	P03-UCS900-FR	FRONT STABILIZER END (R)	1
2	7CT0012		GRIP ASSEMBLY W/CONTACT HR (L)	1	32	7UCS0018	SM-UCS900-31-15	GROUNDING CABLE	1
3	7CX0122	AB01-PS900-2-2	TRUE LOGO DECAL (BLACK)	1	33	7UCS0051	ASS-P66-UCS400	HANDLE BAR CENTER COVER SET W/BUTTONS	1
4	7RB0022A		CRANK (L)	1	34	7UCS0379		HANDLEBAR ASSEMBLY, UC400	1
5	7RB0023A		CRANK (R)	1	35	7UCS0021	SM-UCS900-31-26	HANDLEBAR HEART RATE LEFT/RIGHT CABLE, CHR GRIP	1
6	7RB0076		PEDAL SET W/STRAP						
7	7RC0013		400 MODEL DECAL (RC/UC/XC)	1	37	7UCS0024	P25-UCS900-3	IPOD TRAY PAD - TRUE BLUE	1
8	7UC0001	SM-UC900-31-3	COMBO SALUTRON HEART RATE/TELEMETRY CABLE	1	38	7UCS0025		IPOD TRAY W/CUP HOLDER	1
9	7UC0002	SM-UC900-31-4	NUCLUES CABLE	1	39	7UCS0026	SM-UCS900-31-17	MAIN DATA/POWER CABLE	1
10	7UC0003	SM-UC900-31-10	DC POWER CABLE, PWDC-02	1	40	7UCS0027	SM-UCS900-31-13	POWER SUPPLY CABLE	1
11	7UC0004	SM-UC900-31-7	THUMBSWITCH CONNECT CABLE, UC900	1	41	7UCS0028		POWER SUPPLY ACCESS COVER	1
12	7UC0005		FAN CABLE	1	42	7UCS0029		POWER SUPPLY INLET	1
13	7UC0006		C-SAFE CABLE	1	43	7UCS0031		REAR CONSOLE COVER ASSEMBLY	1
14	7UC0007	SM-UC900-31-5/6	HEART RATE LEFT/RIGHT, CABLE-01	1	44	7UCS0032		REAR CONSOLE COVER UPPER PLATE	1
15	7UC0008	SM-UC900-31-2	COMBO SALUTRON GROUND	1	45	7UCS0033		REAR STABILIZER ASSEMBLY	1
16	7UC0009	SM-UC900-31-1	NUCLEUS GROUND	1	46	7UCS0034	P03-UCS900-R	REAR STABILIZER END CAP	1
17	7UC0011	SM-UC900-31-12	DC POWER, PWDC-01	1	47	7UCS0035		SEAT POST COVER SET - TRUE BLUE	1
18	7UCS0001	SM-UCS900-31-18	BATTERY CHARGE PORT CABLE	1	48	7UCS0036		LEVELING FOOT	1
19	7UCS0004	SM-UCS900-31-19	BRAKE CABLE	1	49	7UCS0037		SEAT POST/SEAT LEVER ASSEMBLY	1
20	7UCS0005	SM-UCS900-31-8	COAXIAL CABLE	1	50	7UCS0039		SHROUD ASSEMBLY (L)	1
21	7UCS0006		CONSOLE FRONT COVER	1	51	7UCS0040		SHROUD ASSEMBLY (R)	1
22	7UCS0007		CONSOLE MAST BOOT W/GASKET	1	52	7UCS0041		SILVER STRIPE SHROUD DECAL LEFT	1
23	7UCS0008		CONSOLE MAST	1	53	7UCS0042		SILVER STRIPE SHROUD DECAL RIGHT	1
24	7UCS0009	SM-UCS900-31-20	BRAKE GENERATOR CABLE	1	54	7UCS0043		TRANSPORT WHEEL	1
25	7UCS0010		CUP HOLDER SET	1	55	7UCS0050		TENSIONER ASSEMBLY, UC400	1
26	7UCS0011	SM-UCS900-31-12	DC POWER CABLE, LOWER	1	56	7UCS0055	8PJ450	PRIMARY DRIVE BELT, UCS400	1
27	7UCS0013	SM-UCS900-31-6	ETHERNET CABLE	1	57	7UCS0063		THUMB SWITCH CABLE	1
28	7UCS0014		FLYWHEEL BRAKE ASSEMBLY	1	58	7UCS0020		CRANK ASSEMBLY	1
29	7UCS0015		FRONT STABILIZER ASSEMBLY	1					
30	7UCS0016	P03-UCS900-FL	FRONT STABILIZER END (L)	1					

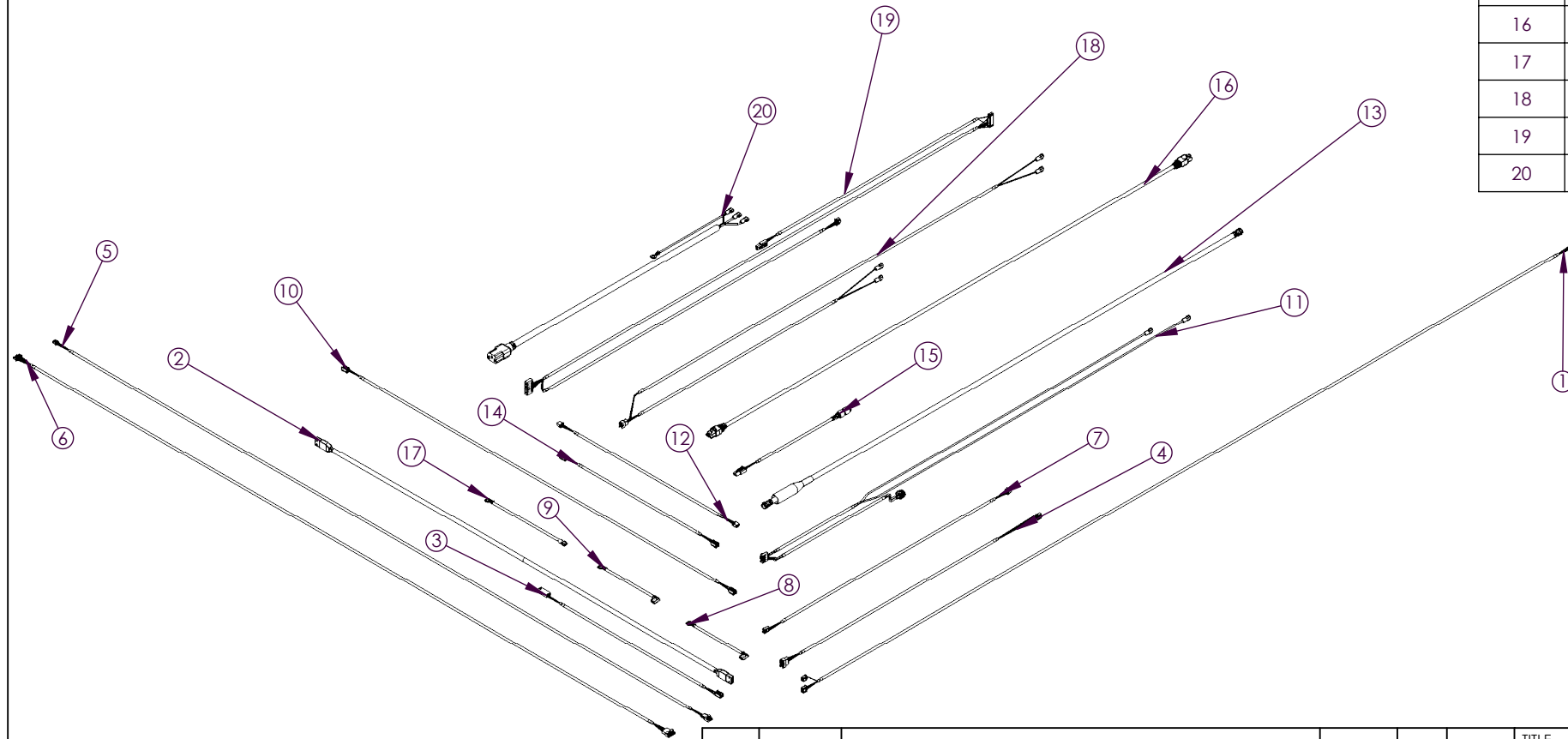
NOTE: ALL WEIGHTS AND DIMENSIONS ARE FOR REFERENCE ONLY

CONFIDENTIAL INFORMATION OF TRUE FITNESS TECHNOLOGY, INC. O'FALLON, MO. IT IS LOANED FOR CONFIDENTIAL USE. SUBJECT TO RETURN ON REQUEST, AND WITH THE MUTUAL UNDERSTANDING THAT IT WILL NOT BE USED IN ANY MANNER DETRIMENTAL TO THE INTERESTS OF TRUE FITNESS TECHNOLOGY, INC.

REV.	MCF#	DESCRIPTION	DATE	BY	APPRVL	TITLE	UC400 SERVICE PARTS	
A	-	ORIGINAL RELEASE	-	-	-	BREAK ALL SHARP CORNERS & EDGES	MATERIAL: Material <not specified>	
						UNLESS OTHERWISE SPECIFIED DIMENSIONS ARE IN MILLIMETERS	NOTES:	
						TOLERANCES UNLESS NOTED:	DRAWN BY	DATE
						DECIMALS: .X ±.787mm .XX ±.381mm .XXX ±.127mm	WEIGHT (KG) 34.77 Kg	
						ANGULAR ±1° HOLES ±.127mm	DO NOT SCALE DRAWING	
							DWG. SIZE A	TRUE PART #: UC400 SERVICE PARTS
						FITNESS TECHNOLOGY, INC. O'FALLON, MO. 63366		REV.

# UC400 CABLE ASSEMBLIES

ITEM NO.	TRUE PART #	SRS Part #	DESCRIPTION	QTY.
1	7UC0001	SM-UC900-31-3	COMBO SALUTRON HEART RATE/TELEMETRY CABLE	1
2	7UC0002	SM-UC900-31-4	NUCLUES CABLE	1
3	7UC0003	SM-UC900-31-10	DC POWER CABLE, PWDC-02	1
4	7UC0004	SM-UC900-31-7	THUMB SWITCH CONNECT CABLE, UC900	1
5	7UC0005		FAN CABLE	1
6	7UC0006		C-SAFE CABLE	1
7	7UC0007	SM-UC900-31-5/6	HEART RATE LEFT/RIGHT, CABLE-01	1
8	7UC0008	SM-UC900-31-2	COMBO SALUTRON GROUND	1
9	7UC0009	SM-UC900-31-1	NUCLEUS GROUND	1
10	7UC0011	SM-UC900-31-12	DC POWER, PWDC-01	1
11	7UCS0001	SM-UCS900-31-18	BATTERY CHARGE PORT CABLE	1
12	7UCS0004	SM-UCS900-31-19	BRAKE CABLE	1
13	7UCS0005	SM-UCS900-31-8	COAXIAL CABLE	1
14	7UCS0009	SM-UCS900-31-20	BRAKE GENERATOR CABLE	1
15	7UCS0011	SM-UCS900-31-12	DC POWER CABLE, LOWER	1
16	7UCS0013	SM-UCS900-31-6	ETHERNET CABLE	1
17	7UCS0018	SM-UCS900-31-15	GROUNDING CABLE	1
18	7UCS0021	SM-UCS900-31-26	HANDLEBAR HEART RATE LEFT/RIGHT CABLE, CHR GRIP	1
19	7UCS0026	SM-UCS900-31-17	MAIN DATA/POWER CABLE	1
20	7UCS0027	SM-UCS900-31-13	POWER SUPPLY CABLE	1

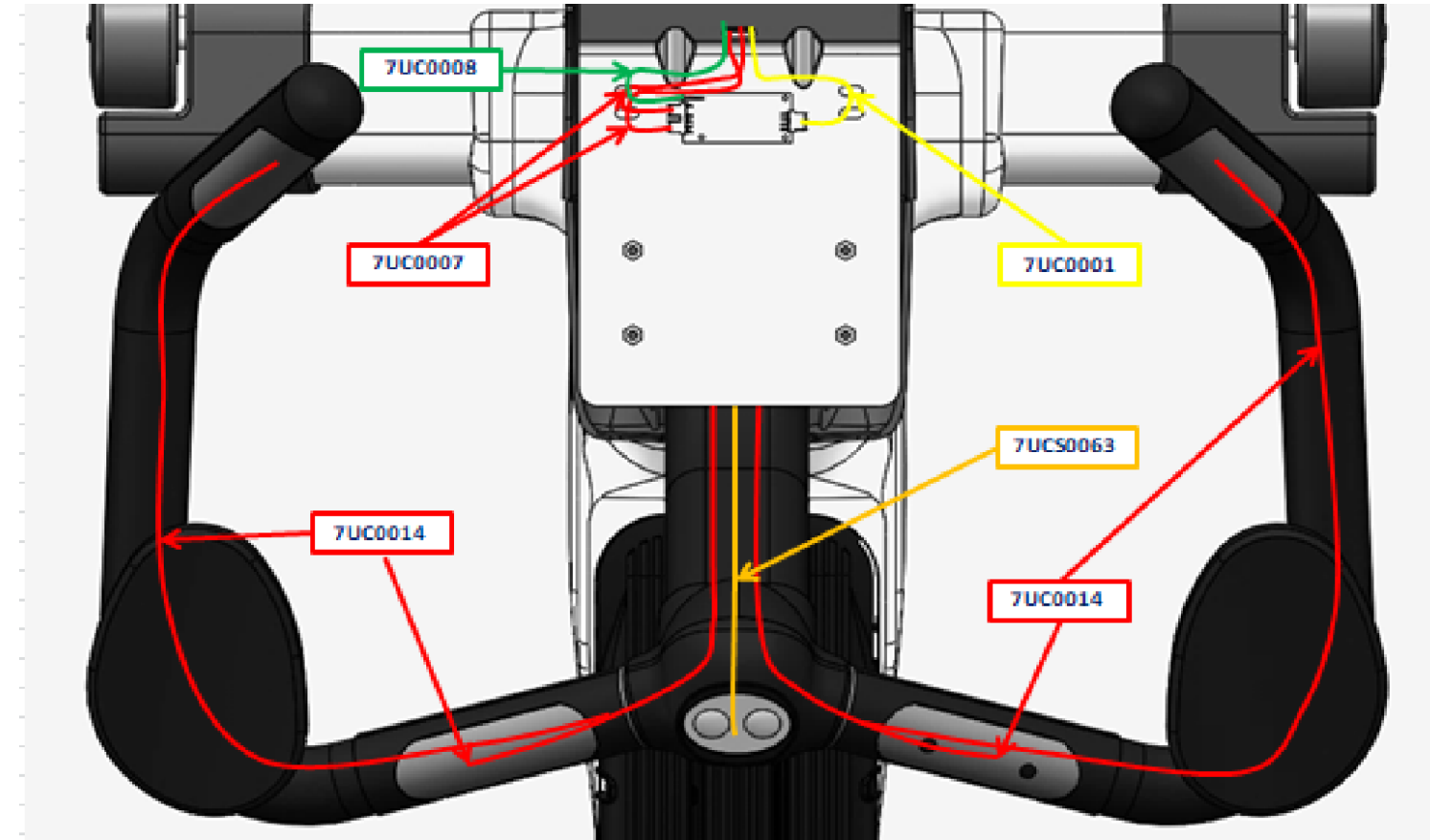
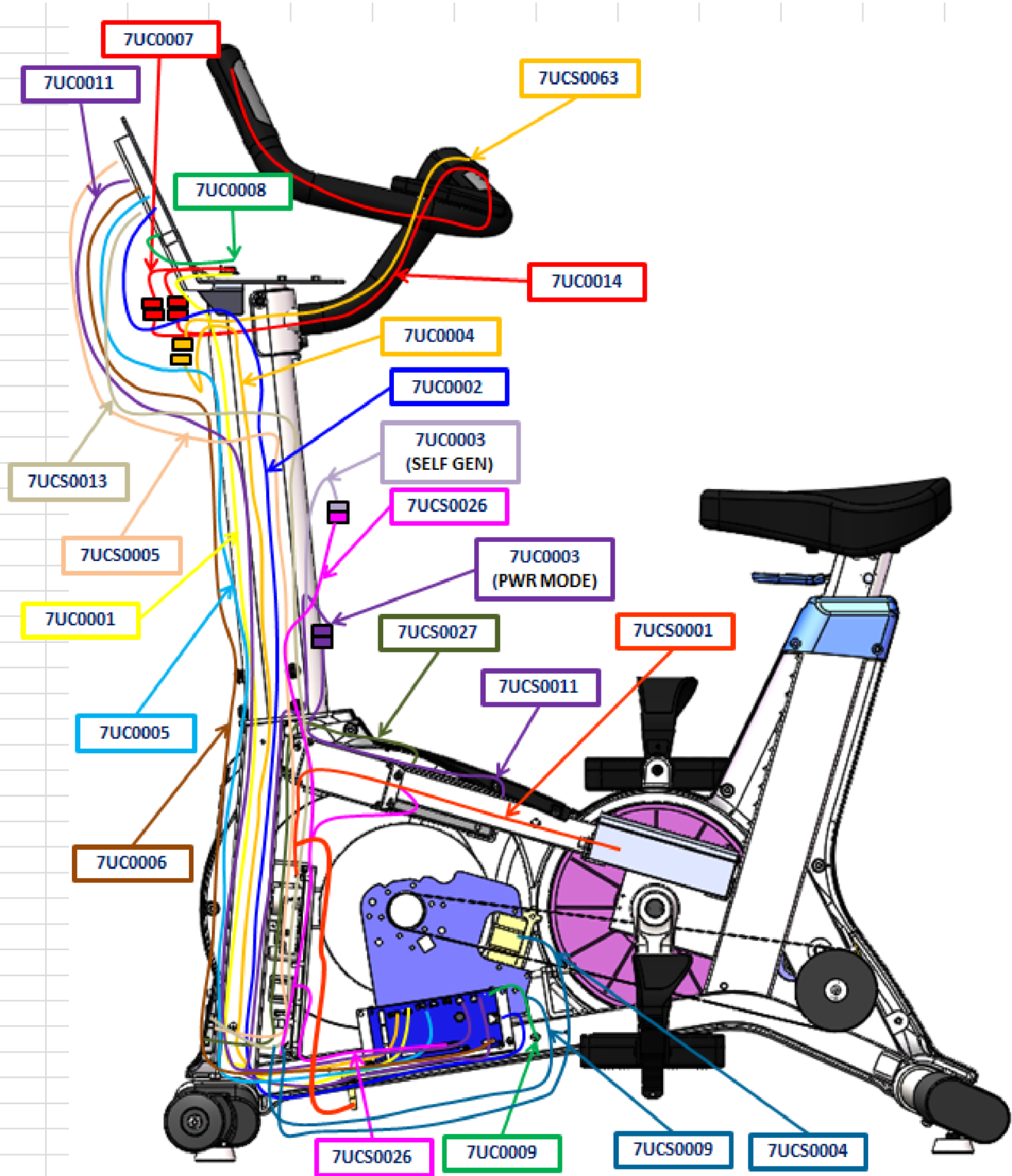


NOTE: ALL WEIGHTS AND DIMENSIONS ARE FOR REFERENCE ONLY

CONFIDENTIAL INFORMATION OF TRUE FITNESS TECHNOLOGY, INC. O'FALLON, MO. IT IS LOANED FOR CONFIDENTIAL USE. SUBJECT TO RETURN ON REQUEST, AND WITH THE MUTUAL UNDERSTANDING THAT IT WILL NOT BE USED IN ANY MANNER DETRIMENTAL TO THE INTERESTS OF TRUE FITNESS TECHNOLOGY, INC.

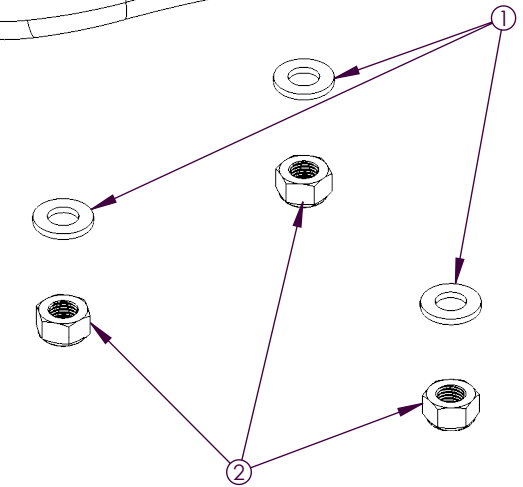
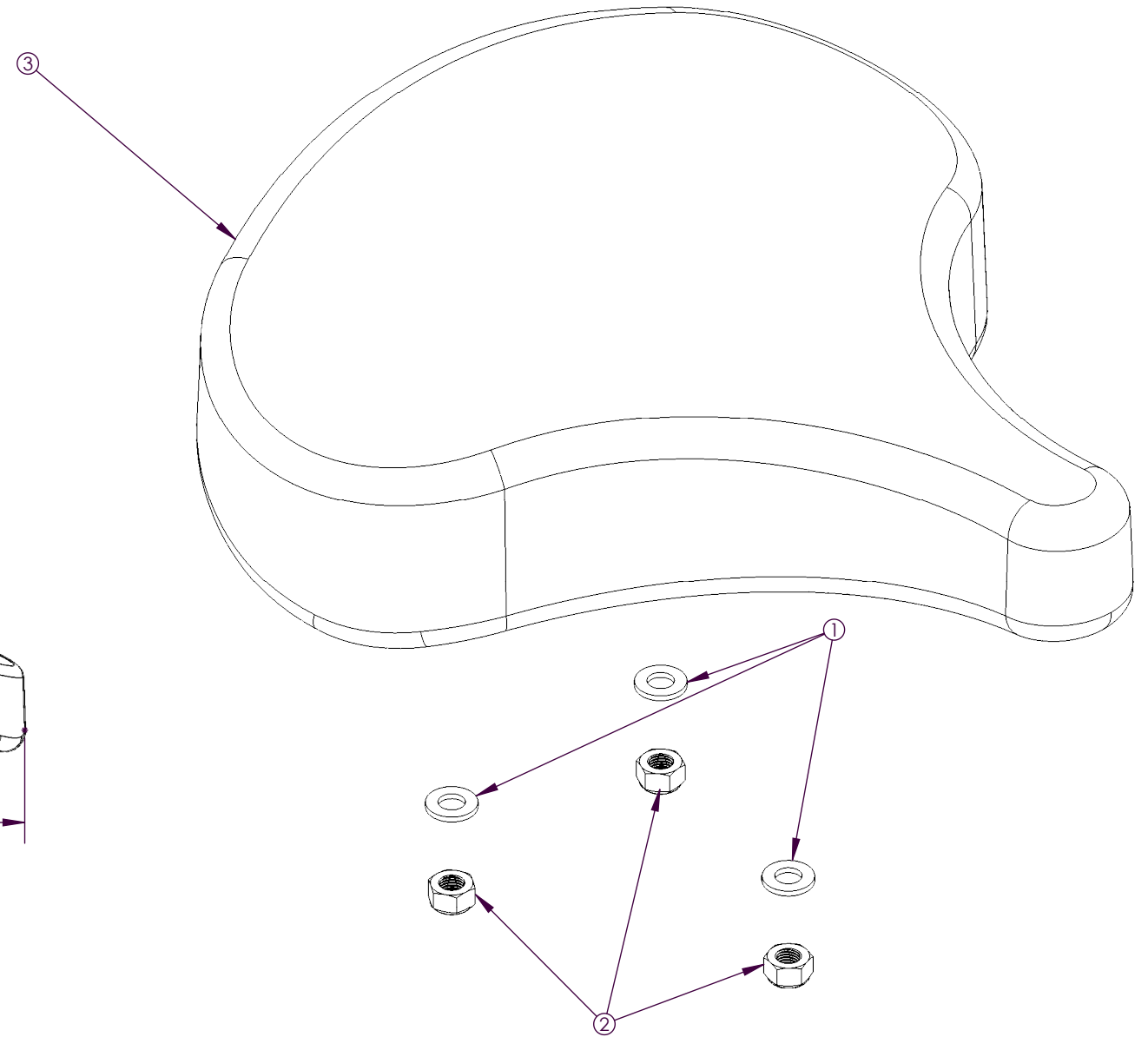
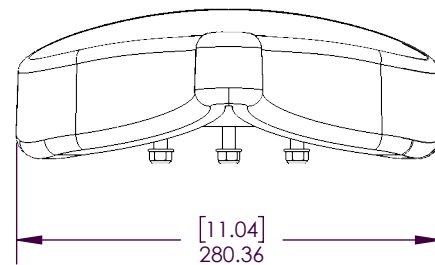
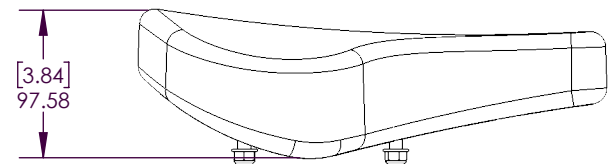
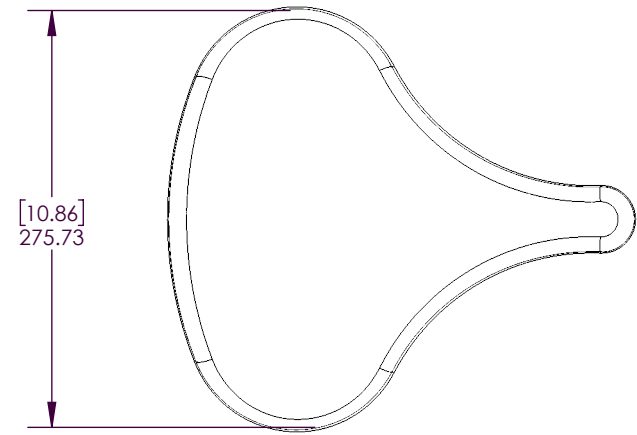
REV.	MCF#	DESCRIPTION	DATE	BY	APPRVL	TITLE	MATERIAL:	NOTES:	DRAWN BY	DATE	WEIGHT (KG)	DWG. SIZE	TRUE PART #:	REV.
A	-	ORIGINAL RELEASE	-	-	-	UC400 CABLE ASSEMBLIES	Material <not specified>				1.07 Kg	A	UC400 CABLE ASSEMBLIES	
						BREAK ALL SHARP CORNERS & EDGES UNLESS OTHERWISE SPECIFIED DIMENSIONS ARE IN MILLIMETERS TOLERANCES UNLESS NOTED: DECIMALS: .X ±.787mm .XX ±.381mm .XXX ±.127mm ANGULAR ±1° HOLES ±.127mm DO NOT SCALE DRAWING								





# 7BZU0009

ITEM NO.	TRUE PART #	SRS Part #	DESCRIPTION	QTY.
1	7CBW0015	SW-0816B-12	WASHER, M8X16X1.2T, BLACK	3
2	7UCS0367	SNN-08B	NYLOCK NUT M8, BLACK	3
3	7UCS0370	P08-A22EM-B	SEAT BOTTOM CUSHION (SADDLE)	1



NOTE: ALL WEIGHTS AND DIMENSIONS ARE FOR REFERENCE ONLY

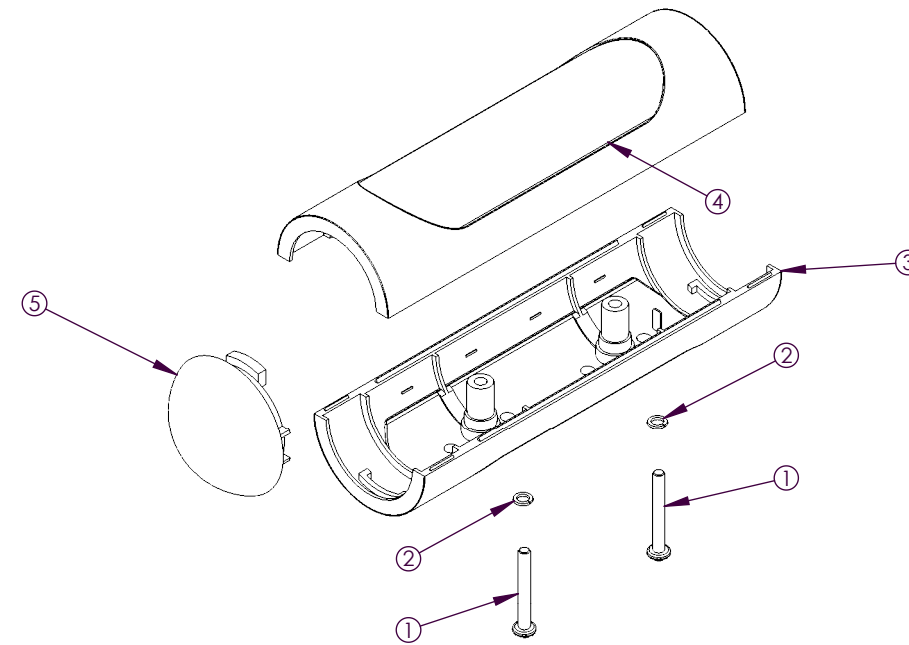
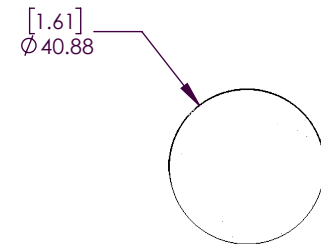
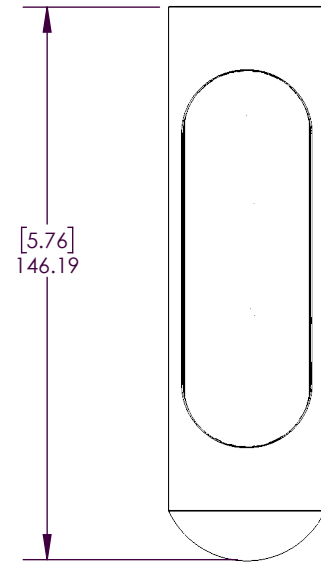
CONFIDENTIAL INFORMATION OF TRUE FITNESS TECHNOLOGY, INC. O'FALLON, MO. IT IS LOANED FOR CONFIDENTIAL USE. SUBJECT TO RETURN ON REQUEST, AND WITH THE MUTUAL UNDERSTANDING THAT IT WILL NOT BE USED IN ANY MANNER DETRIMENTAL TO THE INTERESTS OF TRUE FITNESS TECHNOLOGY, INC.

REV.	MCF#	DESCRIPTION	DATE	BY	APPRVL	TITLE	MATERIAL:	NOTES:	DRAWN BY	DATE	WEIGHT (KG)	DWG. SIZE	TRUE PART #:	REV.
A	-	ORIGINAL RELEASE	-	-	-	SEAT BOTTOM CUSHION (SADDLE) W/HARDWARE	Material <not specified>				2.13Kg	A	7BZU0009	
						BREAK ALL SHARP CORNERS & EDGES UNLESS OTHERWISE SPECIFIED DIMENSIONS ARE IN MILLIMETERS TOLERANCES UNLESS NOTED: DECIMALS: .X ±.787mm .XX ±.381mm .XXX ±.127mm ANGULAR ±1° HOLES ±.127mm DO NOT SCALE DRAWING								



# 7CT0012

ITEM NO.	TRUE PART #	SRS Part #	DESCRIPTION	QTY.
1	7RCS0540	SOT-0325	SCREW PHMS M3 X 25MM (SS)	2
2	7RCS0541	SSW-03	WASHER SPLITLOCK	2
3	7UCS0048	SB-RCS800-31-10A2/B2	BOTTOM, CHR GRIP	1
4	7UCS0049	SB-RCS800-31-10A1/B1	TOP, CHR GRIP	1
5	7UCS0057	P16-4121B	END CAP, CHR GRIP	1



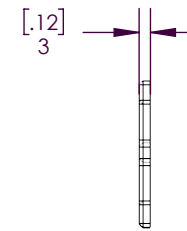
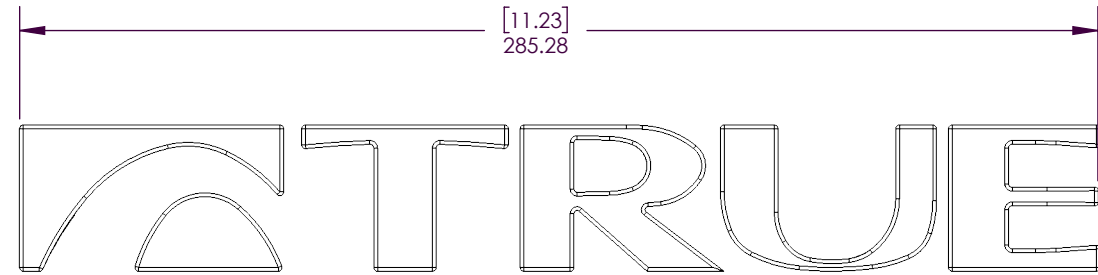
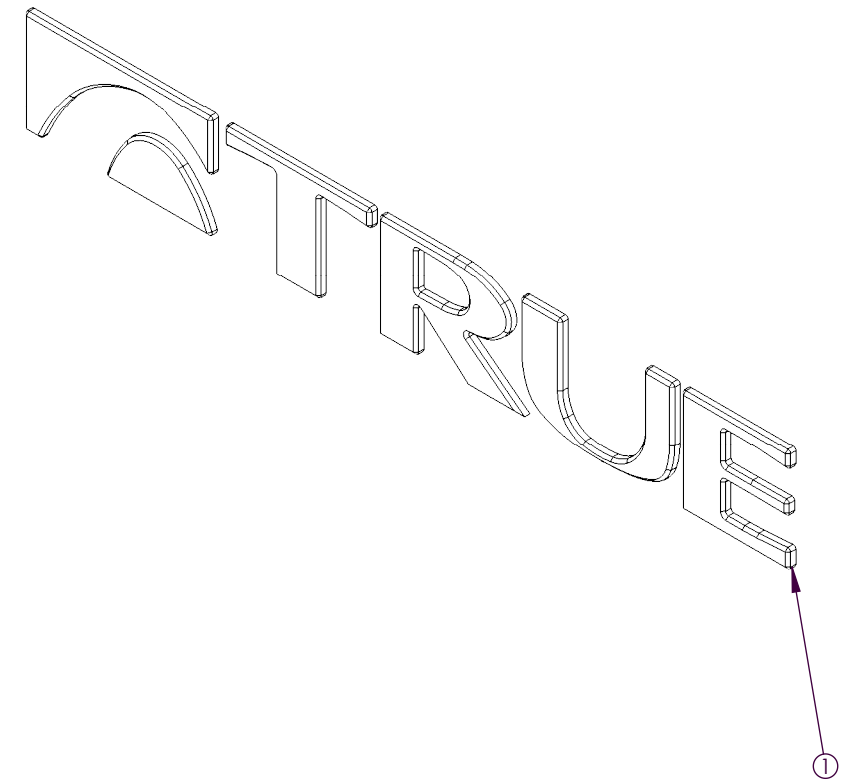
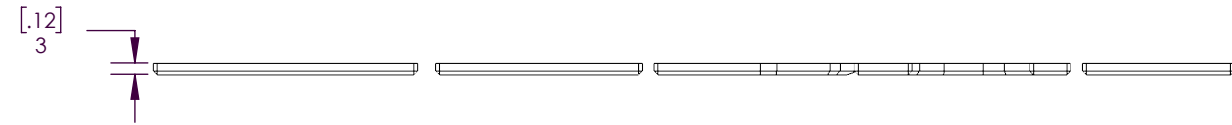
NOTE: ALL WEIGHTS AND DIMENSIONS ARE FOR REFERENCE ONLY

CONFIDENTIAL INFORMATION OF TRUE FITNESS TECHNOLOGY, INC. O'FALLON, MO. IT IS LOANED FOR CONFIDENTIAL USE. SUBJECT TO RETURN ON REQUEST, AND WITH THE MUTUAL UNDERSTANDING THAT IT WILL NOT BE USED IN ANY MANNER DETRIMENTAL TO THE INTERESTS OF TRUE FITNESS TECHNOLOGY, INC.

REV.	MCF#	DESCRIPTION	DATE	BY	APPRVL	TITLE	MATERIAL:	NOTES:	DRAWN BY	DATE	WEIGHT (KG)	DWG. SIZE	TRUE PART #:	REV.
A	-	ORIGINAL RELEASE	-	-	-	GRIP ASSEMBLY W/CONTACT HR (L)	Material <not specified>		YYB		0.06Kg	A	7CT0012	00
						BREAK ALL SHARP CORNERS & EDGES UNLESS OTHERWISE SPECIFIED DIMENSIONS ARE IN MILLIMETERS TOLERANCES UNLESS NOTED: DECIMALS: .X ±.787mm .XX ±.381mm .XXX ±.127mm ANGULAR ±1° HOLES ±.127mm DO NOT SCALE DRAWING								
						<b>TRUE</b> FITNESS TECHNOLOGY, INC. O'FALLON, MO. 63366								

# 7CX0122

ITEM NO.	TRUE PART #	SRS Part #	DESCRIPTION	QTY.
1	7CX0122	AB01-PS900-2-2	TRUE LOGO DECAL (BLACK)	1



NOTE: ALL WEIGHTS AND DIMENSIONS ARE FOR REFERENCE ONLY

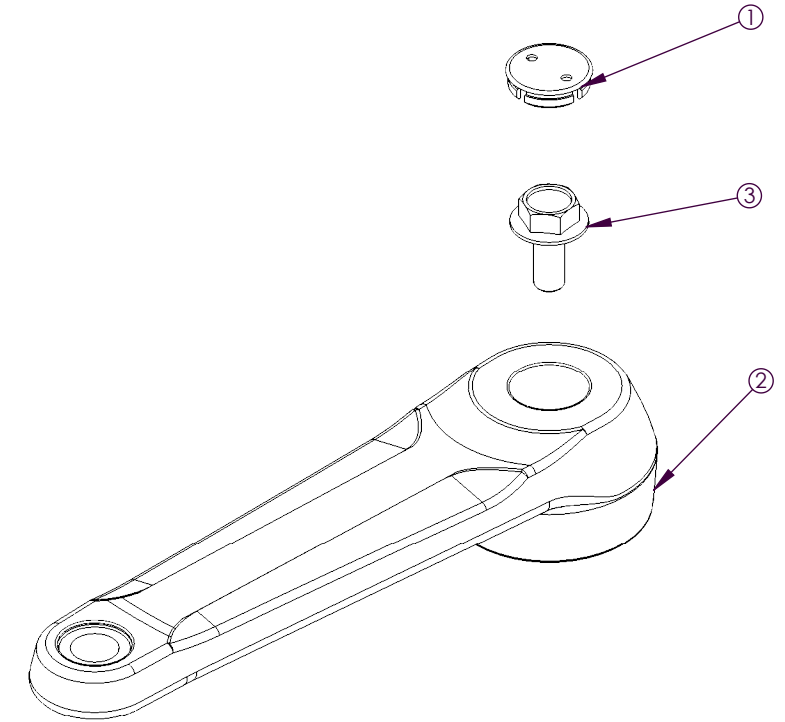
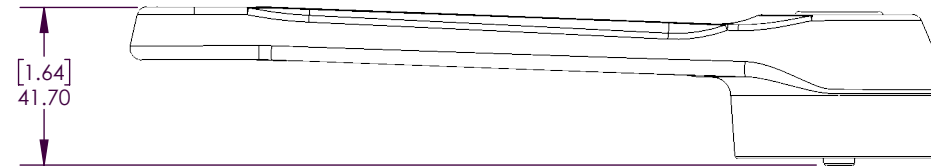
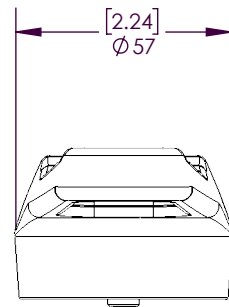
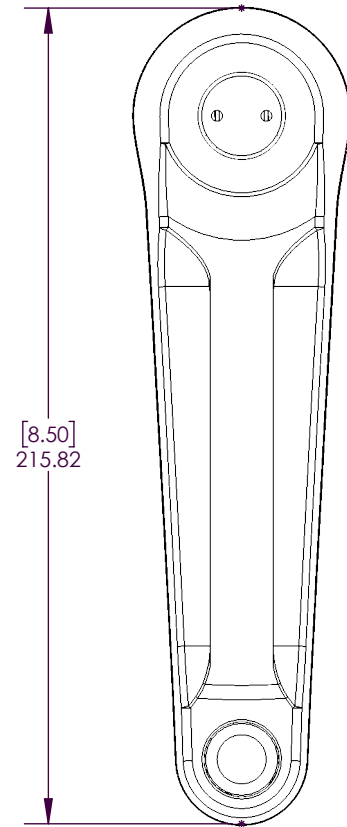
CONFIDENTIAL INFORMATION OF TRUE FITNESS TECHNOLOGY, INC. O'FALLON, MO. IT IS LOANED FOR CONFIDENTIAL USE. SUBJECT TO RETURN ON REQUEST, AND WITH THE MUTUAL UNDERSTANDING THAT IT WILL NOT BE USED IN ANY MANNER DETRIMENTAL TO THE INTERESTS OF TRUE FITNESS TECHNOLOGY, INC.

REV.	MCF#	DESCRIPTION	DATE	BY	APPRVL	TITLE	MATERIAL:	NOTES:	DRAWN BY	DATE	WEIGHT (KG)	DWG. SIZE	TRUE PART #:	REV.
A	-	ORIGINAL RELEASE	-	-	-	TRUE LOGO DECAL (BLACK)	Rubber				0.02Kg	A	7CX0122	
						BREAK ALL SHARP CORNERS & EDGES UNLESS OTHERWISE SPECIFIED DIMENSIONS ARE IN MILLIMETERS TOLERANCES UNLESS NOTED: DECIMALS: .X ±.787mm .XX ±.381mm .XXX ±.127mm ANGULAR ±1° HOLES ±.127mm DO NOT SCALE DRAWING								



# 7RB0022A

ITEM NO.	TRUE PART #	SRS Part #	DESCRIPTION	QTY.
1	7RB0024		CRANK COVER	1
2	7RCS0323	H05-UCS900-18L	CRANK ARM (L) SILVER	1
3	7UCS0047	SF6-0820B-L	SCREW M8X1.0X20L (BLACK + BLUE PATCH)	1



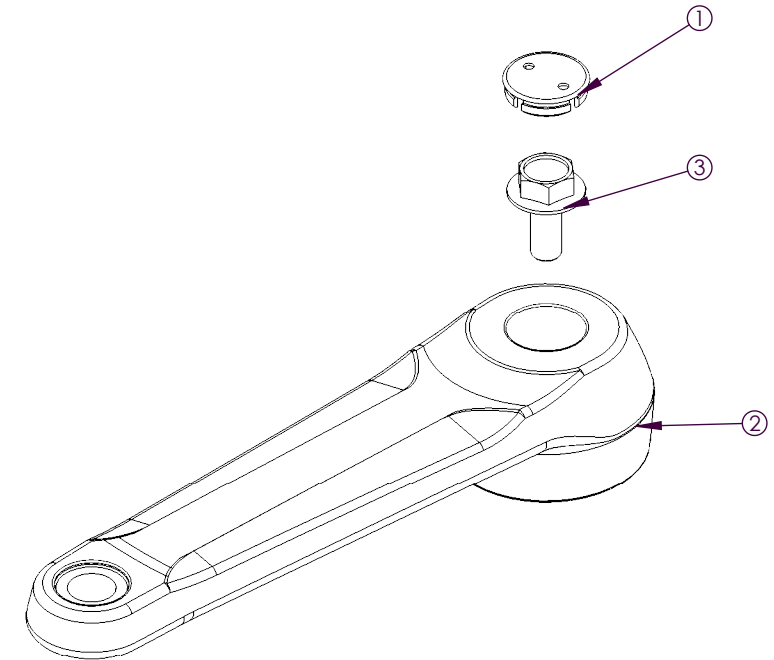
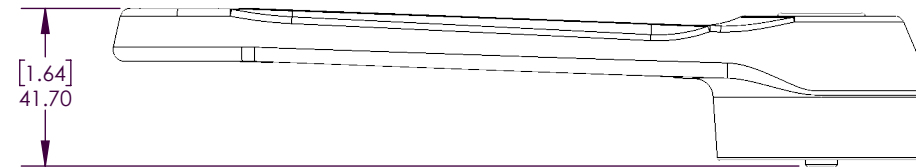
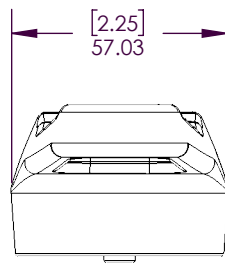
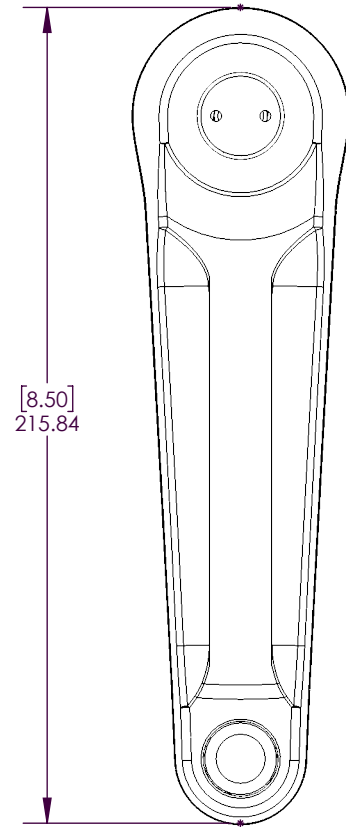
NOTE: ALL WEIGHTS AND DIMENSIONS ARE FOR REFERENCE ONLY

CONFIDENTIAL INFORMATION OF TRUE FITNESS TECHNOLOGY, INC. O'FALLON, MO. IT IS LOANED FOR CONFIDENTIAL USE. SUBJECT TO RETURN ON REQUEST, AND WITH THE MUTUAL UNDERSTANDING THAT IT WILL NOT BE USED IN ANY MANNER DETRIMENTAL TO THE INTERESTS OF TRUE FITNESS TECHNOLOGY, INC.

REV.	MCF#	DESCRIPTION	DATE	BY	APPRVL	TITLE	MATERIAL:	NOTES:	DRAWN BY	DATE	WEIGHT (KG)	DWG. SIZE	TRUE PART #:	REV.
A	-	ORIGINAL RELEASE	-	-	-	CRANK (L)	Material <not specified>				1.12Kg	A	7RB0022A	
						BREAK ALL SHARP CORNERS & EDGES UNLESS OTHERWISE SPECIFIED DIMENSIONS ARE IN MILLIMETERS TOLERANCES UNLESS NOTED: DECIMALS: .X ±.787mm .XX ±.381mm .XXX ±.127mm ANGULAR ±1° HOLES ±.127mm DO NOT SCALE DRAWING								

# 7RB0023A

ITEM NO.	TRUE PART #	SRS Part #	DESCRIPTION	QTY.
1	7RB0024		CRANK COVER	1
2	7RCS0324	H05-UCS900-18R	CRANK ARM (R) SILVER	1
3	7UCS0047	SF6-0820B-L	SCREW M8X1.0X20L (BLACK + BLUE PATCH)	1



NOTE: ALL WEIGHTS AND DIMENSIONS ARE FOR REFERENCE ONLY

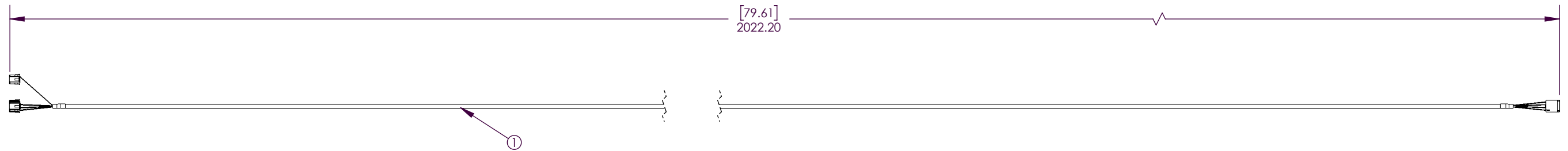
CONFIDENTIAL INFORMATION OF TRUE FITNESS TECHNOLOGY, INC. O'FALLON, MO. IT IS LOANED FOR CONFIDENTIAL USE. SUBJECT TO RETURN ON REQUEST, AND WITH THE MUTUAL UNDERSTANDING THAT IT WILL NOT BE USED IN ANY MANNER DETRIMENTAL TO THE INTERESTS OF TRUE FITNESS TECHNOLOGY, INC.

REV.	MCF#	DESCRIPTION	DATE	BY	APPRVL	TITLE	MATERIAL:	NOTES:	DRAWN BY	DATE	WEIGHT (KG)	DWG. SIZE	TRUE PART #:	REV.
A	-	ORIGINAL RELEASE	-	-	-	CRANK (R)	Material <not specified>				1.12Kg	A	7RB0023A	
						BREAK ALL SHARP CORNERS & EDGES UNLESS OTHERWISE SPECIFIED DIMENSIONS ARE IN MILLIMETERS TOLERANCES UNLESS NOTED: DECIMALS: .X ±.787mm .XX ±.381mm .XXX ±.127mm ANGULAR ±1° HOLES ±.127mm DO NOT SCALE DRAWING								



# 7UC0001

ITEM NO.	TRUE PART #	SRS Part #	DESCRIPTION	QTY.
1	7UC0001	SM-UC900-31-3	COMBO SALUTRON HEART RATE/TELEMETRY CABLE	1



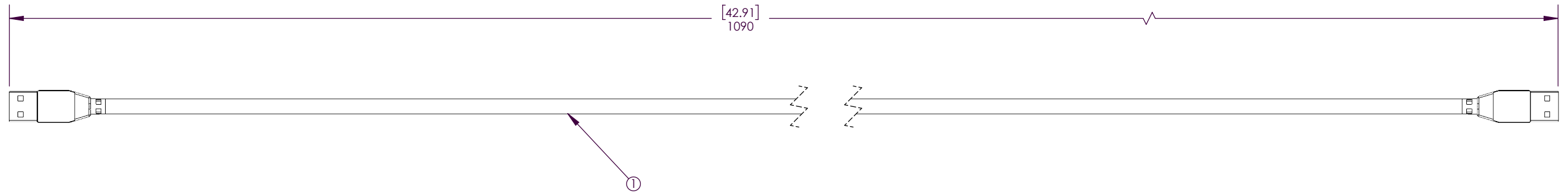
NOTE: ALL WEIGHTS AND DIMENSIONS ARE FOR REFERENCE ONLY

CONFIDENTIAL INFORMATION OF TRUE FITNESS TECHNOLOGY, INC. O'FALLON, MO. IT IS LOANED FOR CONFIDENTIAL USE. SUBJECT TO RETURN ON REQUEST, AND WITH THE MUTUAL UNDERSTANDING THAT IT WILL NOT BE USED IN ANY MANNER DETRIMENTAL TO THE INTERESTS OF TRUE FITNESS TECHNOLOGY, INC.

REV.	MCF#	DESCRIPTION	DATE	BY	APPRVL	TITLE	MATERIAL:	NOTES:	DRAWN BY	DATE	WEIGHT (KG)	DWG. SIZE	TRUE PART #:	REV.
						<b>COMBO SALUTRON HEART RATE/TELEMETRY CABLE</b>								
						BREAK ALL SHARP CORNERS & EDGES								
						UNLESS OTHERWISE SPECIFIED DIMENSIONS ARE IN MILLIMETERS								
						TOLERANCES UNLESS NOTED:								
						DECIMALS:								
						.X ±.787mm								
						.XX ±.381mm								
						.XXX ±.127mm								
						ANGULAR ±1°								
						HOLES ±.127mm								
						DO NOT SCALE DRAWING								
A	-	ORIGINAL RELEASE	-	-	-									
							<b>TRUE</b> FITNESS TECHNOLOGY, INC. O'FALLON, MO. 63366					A	7UC0001	

# 7UC0002

ITEM NO.	TRUE PART #	SRS Part #	DESCRIPTION	QTY.
1	7UC0002	SM-UC900-31-4	NUCLEUS CABLE	1



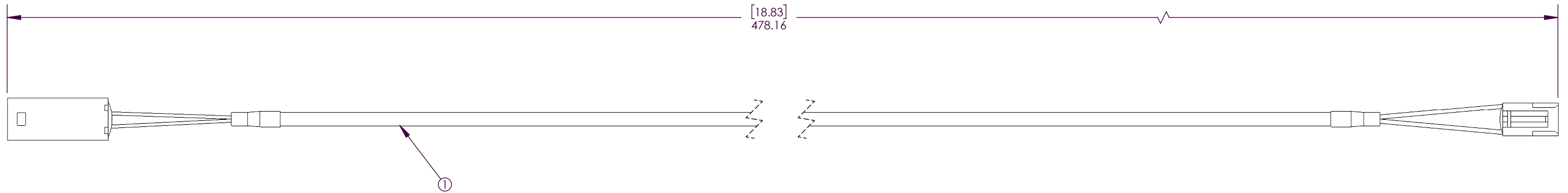
NOTE: ALL WEIGHTS AND DIMENSIONS ARE FOR REFERENCE ONLY

CONFIDENTIAL INFORMATION OF TRUE FITNESS TECHNOLOGY, INC. O'FALLON, MO. IT IS LOANED FOR CONFIDENTIAL USE. SUBJECT TO RETURN ON REQUEST, AND WITH THE MUTUAL UNDERSTANDING THAT IT WILL NOT BE USED IN ANY MANNER DETRIMENTAL TO THE INTERESTS OF TRUE FITNESS TECHNOLOGY, INC.

REV.	MCF#	DESCRIPTION	DATE	BY	APPRVL	TITLE	MATERIAL:	NOTES:	DRAWN BY	DATE	WEIGHT (KG)	DWG. SIZE	TRUE PART #:	REV.
						NUCLUES CABLE						A	7UC0002	
A	-	ORIGINAL RELEASE	-	-	-	BREAK ALL SHARP CORNERS & EDGES								
						UNLESS OTHERWISE SPECIFIED DIMENSIONS ARE IN MILLIMETERS								
						TOLERANCES UNLESS NOTED:								
						DECIMALS:								
						.X ±.787mm								
						.XX ±.381mm								
						.XXX ±.127mm								
						ANGULAR ±1°								
						HOLES ±.127mm								
						DO NOT SCALE DRAWING								
							<b>TRUE</b> FITNESS TECHNOLOGY, INC. O'FALLON, MO. 63366							

# 7UC0003

ITEM NO.	TRUE PART #	SRS Part #	DESCRIPTION	QTY.
1	7UC0003	SM-UC900-31-10	DC POWER CABLE, PWDC-02	1



NOTE: ALL WEIGHTS AND DIMENSIONS ARE FOR REFERENCE ONLY

CONFIDENTIAL INFORMATION OF TRUE FITNESS TECHNOLOGY, INC. O'FALLON, MO. IT IS LOANED FOR CONFIDENTIAL USE. SUBJECT TO RETURN ON REQUEST, AND WITH THE MUTUAL UNDERSTANDING THAT IT WILL NOT BE USED IN ANY MANNER DETRIMENTAL TO THE INTERESTS OF TRUE FITNESS TECHNOLOGY, INC.

REV.	MCF#	DESCRIPTION	DATE	BY	APPRVL	TITLE	MATERIAL:	NOTES:	DRAWN BY	DATE	WEIGHT (KG)	DWG. SIZE	TRUE PART #:	REV.
						DC POWER CABLE, PWDC-02						A	7UC0003	
A	-	ORIGINAL RELEASE	-	-	-	BREAK ALL SHARP CORNERS & EDGES UNLESS OTHERWISE SPECIFIED DIMENSIONS ARE IN MILLIMETERS TOLERANCES UNLESS NOTED: DECIMALS: .X ±.787mm .XX ±.381mm .XXX ±.127mm ANGULAR ±1° HOLES ±.127mm DO NOT SCALE DRAWING								



# 7UC0004

ITEM NO.	TRUE PART #	SRS Part #	DESCRIPTION	QTY.
1	7UC0004	SM-UC900-31-7	THUMBSWITCH CONNECT CABLE, UC900	1



NOTE: ALL WEIGHTS AND DIMENSIONS ARE FOR REFERENCE ONLY

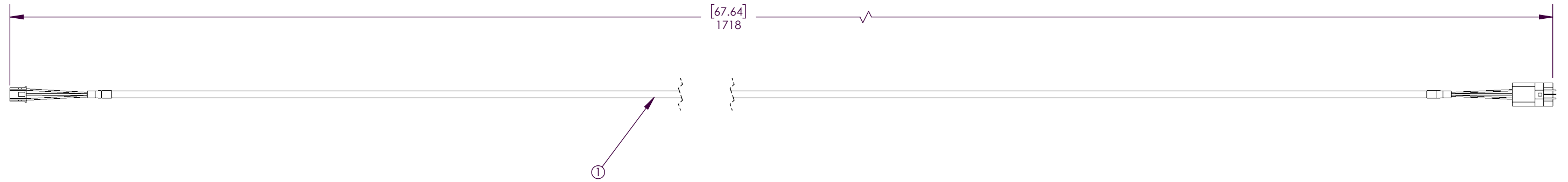
CONFIDENTIAL INFORMATION OF TRUE FITNESS TECHNOLOGY, INC. O'FALLON, MO. IT IS LOANED FOR CONFIDENTIAL USE. SUBJECT TO RETURN ON REQUEST, AND WITH THE MUTUAL UNDERSTANDING THAT IT WILL NOT BE USED IN ANY MANNER DETRIMENTAL TO THE INTERESTS OF TRUE FITNESS TECHNOLOGY, INC.

REV.	MCF#	DESCRIPTION	DATE	BY	APPRVL	TITLE	MATERIAL:	NOTES:	DRAWN BY	DATE	WEIGHT (KG)	DWG. SIZE	TRUE PART #:	REV.
						THUMBSWITCH CONNECT CABLE, UC900			YYB			A	7UC0004	00
A	-	ORIGINAL RELEASE	-	-	-	BREAK ALL SHARP CORNERS & EDGES UNLESS OTHERWISE SPECIFIED DIMENSIONS ARE IN MILLIMETERS TOLERANCES UNLESS NOTED: DECIMALS: .X ±.787mm .XX ±.381mm .XXX ±.127mm ANGULAR ±1° HOLES ±.127mm DO NOT SCALE DRAWING								



# 7UC0005

ITEM NO.	TRUE PART #	SRS Part #	DESCRIPTION	QTY.
1	7UC0005		FAN CABLE	1



NOTE: ALL WEIGHTS AND DIMENSIONS ARE FOR REFERENCE ONLY

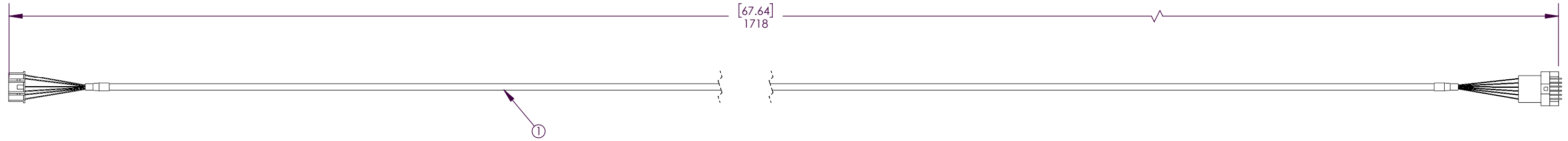
CONFIDENTIAL INFORMATION OF TRUE FITNESS TECHNOLOGY, INC. O'FALLON, MO. IT IS LOANED FOR CONFIDENTIAL USE. SUBJECT TO RETURN ON REQUEST, AND WITH THE MUTUAL UNDERSTANDING THAT IT WILL NOT BE USED IN ANY MANNER DETRIMENTAL TO THE INTERESTS OF TRUE FITNESS TECHNOLOGY, INC.

REV.	MCF#	DESCRIPTION	DATE	BY	APPRVL	TITLE	MATERIAL:	NOTES:	DRAWN BY	DATE	WEIGHT (KG)	DWG. SIZE	TRUE PART #:	REV.
A	-	ORIGINAL RELEASE	-	-	-	FAN CABLE						A	7UC0005	
						BREAK ALL SHARP CORNERS & EDGES UNLESS OTHERWISE SPECIFIED DIMENSIONS ARE IN MILLIMETERS TOLERANCES UNLESS NOTED: DECIMALS: .X ±.787mm .XX ±.381mm .XXX ±.127mm ANGULAR ±1° HOLES ±.127mm DO NOT SCALE DRAWING								



# 7UC0006

ITEM NO.	TRUE PART #	SRS Part #	DESCRIPTION	QTY.
1	7UC0006		C-SAFE CABLE	1



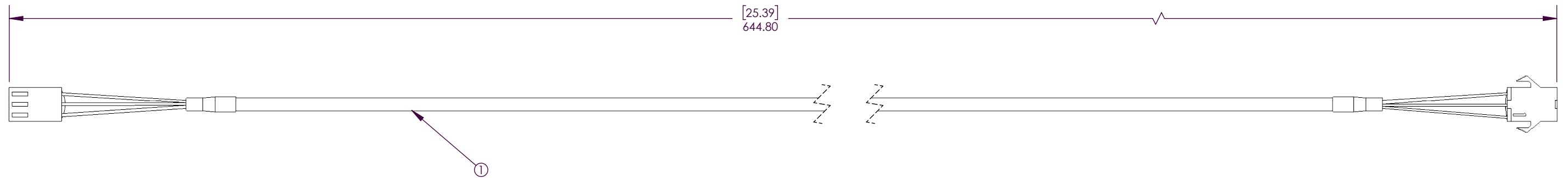
NOTE: ALL WEIGHTS AND DIMENSIONS ARE FOR REFERENCE ONLY

CONFIDENTIAL INFORMATION OF TRUE FITNESS TECHNOLOGY, INC. O'FALLON, MO. IT IS LOANED FOR CONFIDENTIAL USE. SUBJECT TO RETURN ON REQUEST, AND WITH THE MUTUAL UNDERSTANDING THAT IT WILL NOT BE USED IN ANY MANNER DETRIMENTAL TO THE INTERESTS OF TRUE FITNESS TECHNOLOGY, INC.

REV.	MCF#	DESCRIPTION	DATE	BY	APPRVL	TITLE	MATERIAL:	NOTES:	DRAWN BY	DATE	WEIGHT (KG)	DWG. SIZE	TRUE PART #:	REV.
						<b>C-SAFE CABLE</b>								
						BREAK ALL SHARP CORNERS & EDGES								
						UNLESS OTHERWISE SPECIFIED DIMENSIONS ARE IN MILLIMETERS								
						TOLERANCES UNLESS NOTED:								
						DECIMALS:								
						.X ±.787mm								
						.XX ±.381mm								
						.XXX ±.127mm								
						ANGULAR ±1°								
						HOLES ±.127mm								
						DO NOT SCALE DRAWING								
A	-	ORIGINAL RELEASE	-	-	-									
							<b>TRUE</b> FITNESS TECHNOLOGY, INC. O'FALLON, MO. 63366					<b>A</b>	<b>7UC0006</b>	

# 7UC0007

ITEM NO.	TRUE PART #	SRS Part #	DESCRIPTION	QTY.
1	7UC0007	SM-UC900-31-5/6	HEART RATE LEFT/RIGHT, CABLE-01	1



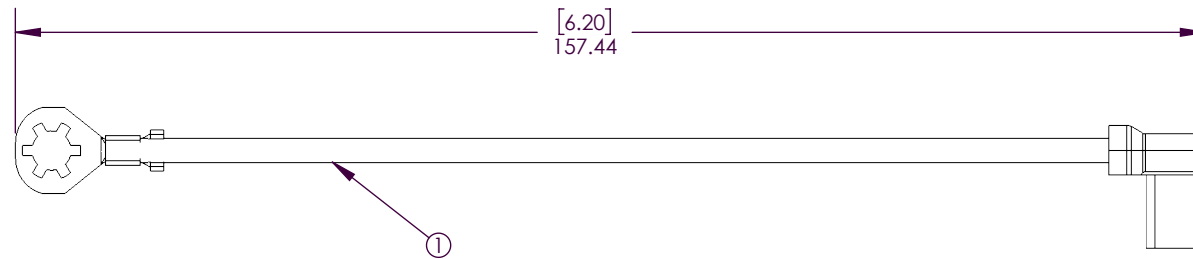
NOTE: ALL WEIGHTS AND DIMENSIONS ARE FOR REFERENCE ONLY

CONFIDENTIAL INFORMATION OF TRUE FITNESS TECHNOLOGY, INC. O'FALLON, MO. IT IS LOANED FOR CONFIDENTIAL USE. SUBJECT TO RETURN ON REQUEST, AND WITH THE MUTUAL UNDERSTANDING THAT IT WILL NOT BE USED IN ANY MANNER DETRIMENTAL TO THE INTERESTS OF TRUE FITNESS TECHNOLOGY, INC.

REV.	MCF#	DESCRIPTION	DATE	BY	APPRVL	TITLE	MATERIAL:	NOTES:	DRAWN BY	DATE	WEIGHT (KG)	DWG. SIZE	TRUE PART #:	REV.
						HEART RATE LEFT/RIGHT, CABLE-01						A	7UC0007	
A	-	ORIGINAL RELEASE	-	-	-	BREAK ALL SHARP CORNERS & EDGES								
						UNLESS OTHERWISE SPECIFIED DIMENSIONS ARE IN MILLIMETERS								
						TOLERANCES UNLESS NOTED:								
						DECIMALS:								
						.X ±.787mm								
						.XX ±.381mm								
						.XXX ±.127mm								
						ANGULAR ±1°								
						HOLES ±.127mm								
						DO NOT SCALE DRAWING								
							<b>TRUE</b> FITNESS TECHNOLOGY, INC. O'FALLON, MO. 63366							

# 7UC0008

ITEM NO.	TRUE PART #	SRS Part #	DESCRIPTION	QTY.
1	7UC0008	SM-UC900-31-2	COMBO SALUTRON GROUND	1



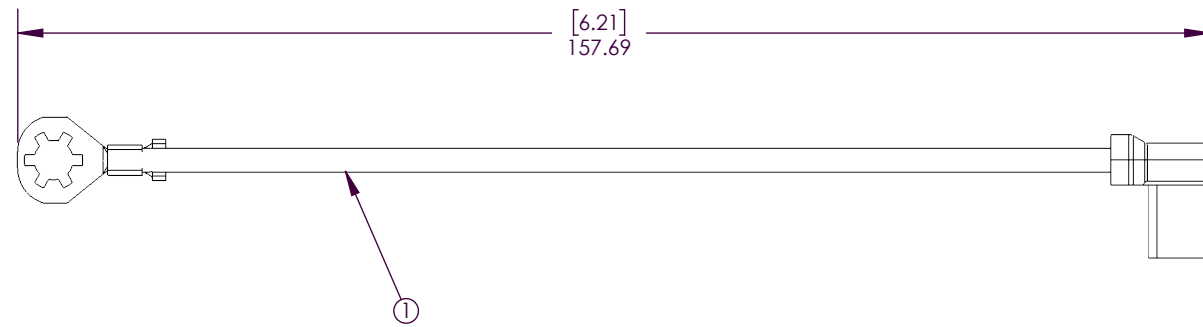
NOTE: ALL WEIGHTS AND DIMENSIONS ARE FOR REFERENCE ONLY

CONFIDENTIAL INFORMATION OF TRUE FITNESS TECHNOLOGY, INC. O'FALLON, MO. IT IS LOANED FOR CONFIDENTIAL USE. SUBJECT TO RETURN ON REQUEST, AND WITH THE MUTUAL UNDERSTANDING THAT IT WILL NOT BE USED IN ANY MANNER DETRIMENTAL TO THE INTERESTS OF TRUE FITNESS TECHNOLOGY, INC.

REV.	MCF#	DESCRIPTION	DATE	BY	APPRVL	TITLE	MATERIAL:	NOTES:	DRAWN BY	DATE	WEIGHT (KG)	DWG. SIZE	TRUE PART #:	REV.
						COMBO SALUTRON GROUND						A	7UC0008	
A	-	ORIGINAL RELEASE	-	-	-	BREAK ALL SHARP CORNERS & EDGES								
						UNLESS OTHERWISE SPECIFIED DIMENSIONS ARE IN MILLIMETERS								
						TOLERANCES UNLESS NOTED:								
						DECIMALS:								
						.X ±.787mm								
						.XX ±.381mm								
						.XXX ±.127mm								
						ANGULAR ±1°								
						HOLES ±.127mm								
						DO NOT SCALE DRAWING								
							<b>TRUE</b> FITNESS TECHNOLOGY, INC. O'FALLON, MO. 63366							

# 7UC0009

ITEM NO.	TRUE PART #	SRS Part #	DESCRIPTION	QTY.
1	7UC0009	SM-UC900-31-1	NUCLEUS GROUND	1



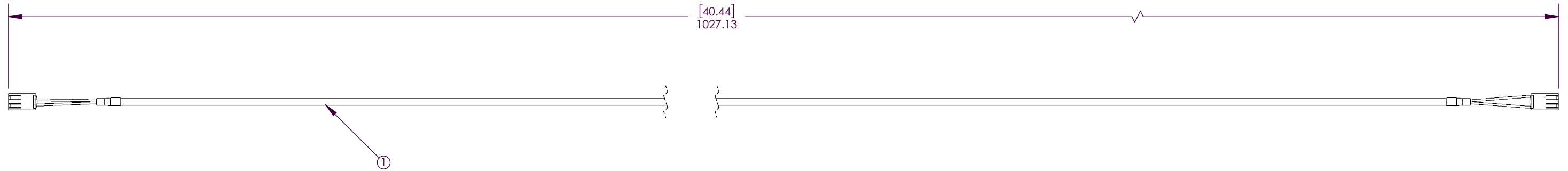
NOTE: ALL WEIGHTS AND DIMENSIONS ARE FOR REFERENCE ONLY

CONFIDENTIAL INFORMATION OF TRUE FITNESS TECHNOLOGY, INC. O'FALLON, MO. IT IS LOANED FOR CONFIDENTIAL USE. SUBJECT TO RETURN ON REQUEST, AND WITH THE MUTUAL UNDERSTANDING THAT IT WILL NOT BE USED IN ANY MANNER DETRIMENTAL TO THE INTERESTS OF TRUE FITNESS TECHNOLOGY, INC.

REV.	MCF#	DESCRIPTION	DATE	BY	APPRVL	TITLE	MATERIAL:	NOTES:	DRAWN BY	DATE	WEIGHT (KG)	DWG. SIZE	TRUE PART #:	REV.
						<b>NUCLEUS GROUND</b>								
						BREAK ALL SHARP CORNERS & EDGES								
						UNLESS OTHERWISE SPECIFIED DIMENSIONS ARE IN MILLIMETERS								
						TOLERANCES UNLESS NOTED:								
						DECIMALS:								
						.X ±.787mm								
						.XX ±.381mm								
						.XXX ±.127mm								
						ANGULAR ±1°								
						HOLES ±.127mm								
						DO NOT SCALE DRAWING								
A	-	ORIGINAL RELEASE	-	-	-									
							<b>TRUE</b> FITNESS TECHNOLOGY, INC. O'FALLON, MO. 63366					<b>A</b>	<b>7UC0009</b>	

# 7UC0011

ITEM NO.	TRUE PART #	SRS Part #	DESCRIPTION	QTY.
1	7UC0011	SM-UC900-31-12	DC POWER, PWDC-01	1



NOTE: ALL WEIGHTS AND DIMENSIONS ARE FOR REFERENCE ONLY

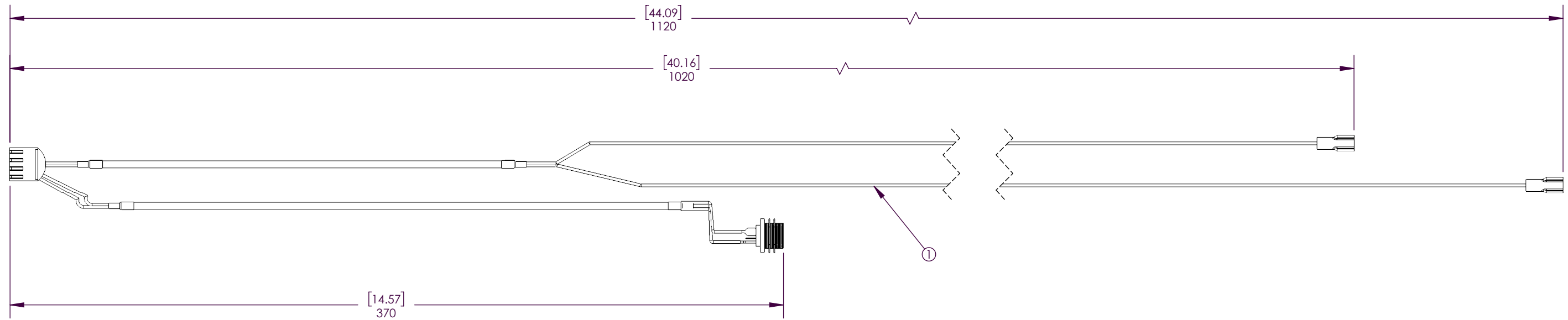
CONFIDENTIAL INFORMATION OF TRUE FITNESS TECHNOLOGY, INC. O'FALLON, MO. IT IS LOANED FOR CONFIDENTIAL USE. SUBJECT TO RETURN ON REQUEST, AND WITH THE MUTUAL UNDERSTANDING THAT IT WILL NOT BE USED IN ANY MANNER DETRIMENTAL TO THE INTERESTS OF TRUE FITNESS TECHNOLOGY, INC.

REV.	MCF#	DESCRIPTION	DATE	BY	APPRVL	TITLE	MATERIAL:	NOTES:	DRAWN BY	DATE	WEIGHT (KG)	DWG. SIZE	TRUE PART #:	REV.
						DC POWER, PWDC-01						A	7UC0011	
A	-	ORIGINAL RELEASE	-	-	-	BREAK ALL SHARP CORNERS & EDGES UNLESS OTHERWISE SPECIFIED DIMENSIONS ARE IN MILLIMETERS TOLERANCES UNLESS NOTED: DECIMALS: .X ±.787mm .XX ±.381mm .XXX ±.127mm ANGULAR ±1° HOLES ±.127mm DO NOT SCALE DRAWING								



# 7UCS0001

ITEM NO.	TRUE PART #	SRS Part #	DESCRIPTION	QTY.
1	7UCS0001	SM-UCS900-31-18	BATTERY CHARGE PORT CABLE	1



NOTE: ALL WEIGHTS AND DIMENSIONS ARE FOR REFERENCE ONLY

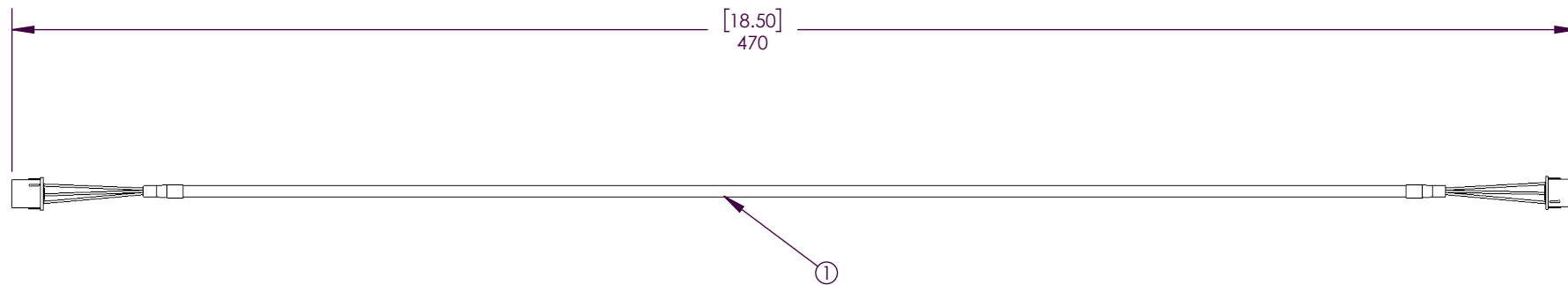
CONFIDENTIAL INFORMATION OF TRUE FITNESS TECHNOLOGY, INC. O'FALLON, MO. IT IS LOANED FOR CONFIDENTIAL USE. SUBJECT TO RETURN ON REQUEST, AND WITH THE MUTUAL UNDERSTANDING THAT IT WILL NOT BE USED IN ANY MANNER DETRIMENTAL TO THE INTERESTS OF TRUE FITNESS TECHNOLOGY, INC.

REV.	MCF#	DESCRIPTION	DATE	BY	APPRVL	TITLE	MATERIAL:	NOTES:	DRAWN BY	DATE	WEIGHT (KG)	DWG. SIZE	TRUE PART #:	REV.
						BATTERY CHARGE PORT CABLE	Material <not specified>				0.04Kg	A	7UCS0001	
A	-	ORIGINAL RELEASE	-	-	-	BREAK ALL SHARP CORNERS & EDGES UNLESS OTHERWISE SPECIFIED DIMENSIONS ARE IN MILLIMETERS TOLERANCES UNLESS NOTED: DECIMALS: .X ±.787mm .XX ±.381mm .XXX ±.127mm ANGULAR ±1° HOLES ±.127mm DO NOT SCALE DRAWING								



# 7UCS0004

ITEM NO.	TRUE PART #	SRS Part #	DESCRIPTION	QTY.
1	7UCS0004	SM-UCS900-31-19	BRAKE CABLE	1



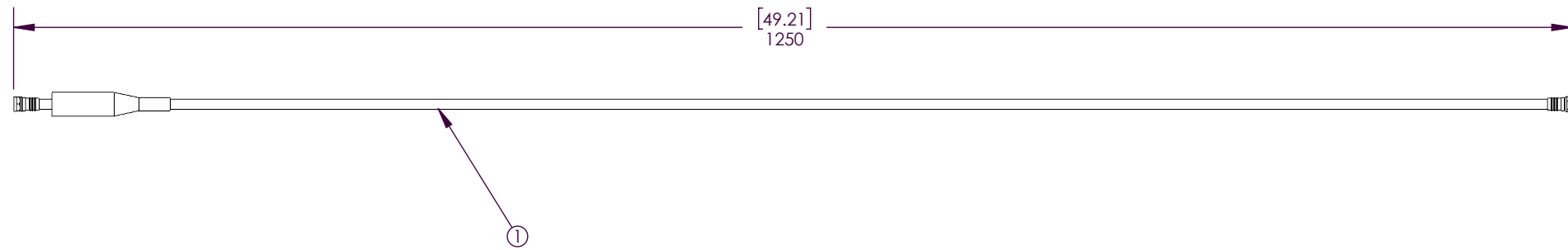
NOTE: ALL WEIGHTS AND DIMENSIONS ARE FOR REFERENCE ONLY

CONFIDENTIAL INFORMATION OF TRUE FITNESS TECHNOLOGY, INC. O'FALLON, MO. IT IS LOANED FOR CONFIDENTIAL USE. SUBJECT TO RETURN ON REQUEST, AND WITH THE MUTUAL UNDERSTANDING THAT IT WILL NOT BE USED IN ANY MANNER DETRIMENTAL TO THE INTERESTS OF TRUE FITNESS TECHNOLOGY, INC.

REV.	MCF#	DESCRIPTION	DATE	BY	APPRVL	TITLE	MATERIAL:	NOTES:	DRAWN BY	DATE	WEIGHT (KG)	DWG. SIZE	TRUE PART #:	REV.
						BRAKE CABLE						A	7UCS0004	
A	-	ORIGINAL RELEASE	-	-	-	BREAK ALL SHARP CORNERS & EDGES								
						UNLESS OTHERWISE SPECIFIED DIMENSIONS ARE IN MILLIMETERS								
						TOLERANCES UNLESS NOTED:								
						DECIMALS:								
						.X ±.787mm								
						.XX ±.381mm								
						.XXX ±.127mm								
						ANGULAR ±1°								
						HOLES ±.127mm								
						DO NOT SCALE DRAWING								
							<b>TRUE</b> FITNESS TECHNOLOGY, INC. O'FALLON, MO. 63366							

# 7UCS0005

ITEM NO.	TRUE PART #	SRS Part #	DESCRIPTION	QTY.
1	7UCS0005	SM-UCS900-31-8	COAXIAL CABLE	1



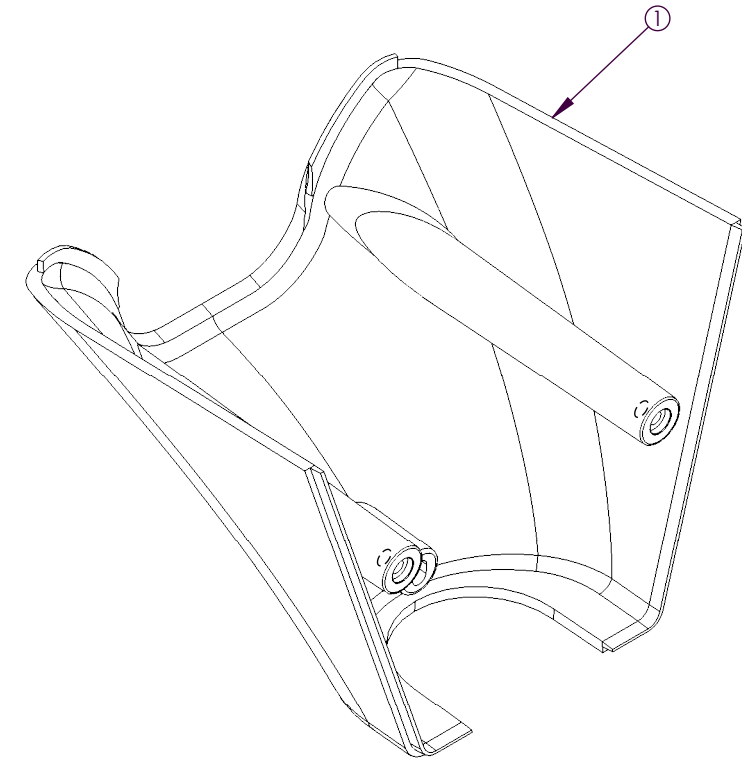
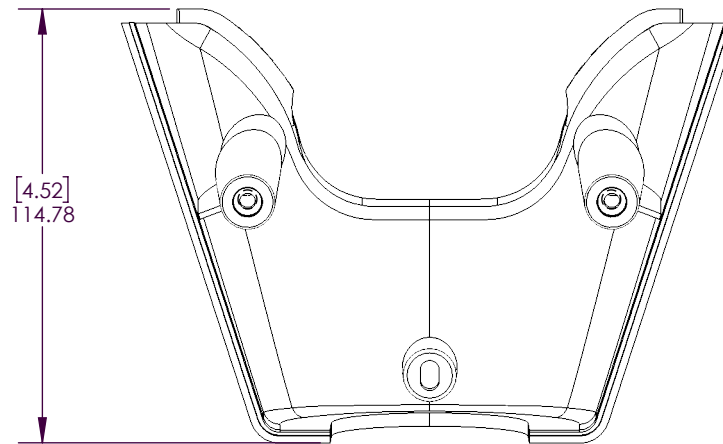
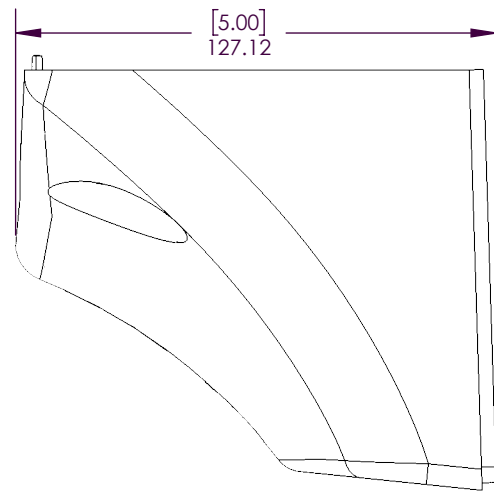
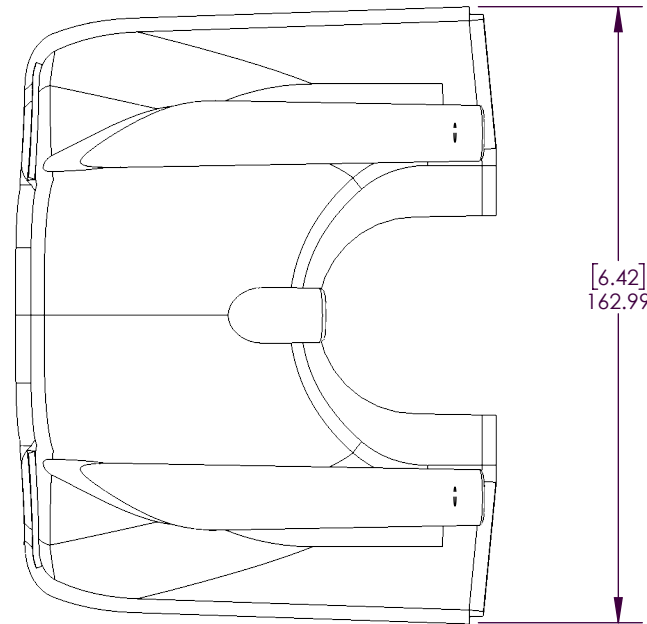
NOTE: ALL WEIGHTS AND DIMENSIONS ARE FOR REFERENCE ONLY

CONFIDENTIAL INFORMATION OF TRUE FITNESS TECHNOLOGY, INC. O'FALLON, MO. IT IS LOANED FOR CONFIDENTIAL USE. SUBJECT TO RETURN ON REQUEST, AND WITH THE MUTUAL UNDERSTANDING THAT IT WILL NOT BE USED IN ANY MANNER DETRIMENTAL TO THE INTERESTS OF TRUE FITNESS TECHNOLOGY, INC.

REV.	MCF#	DESCRIPTION	DATE	BY	APPRVL	TITLE	MATERIAL:	NOTES:	DRAWN BY	DATE	WEIGHT (KG)	DWG. SIZE	TRUE PART #:	REV.
						COAXIAL CABLE	Material <not specified>				0.53Kg	A	7UCS0005	
A	-	ORIGINAL RELEASE	-	-	-	BREAK ALL SHARP CORNERS & EDGES								
						UNLESS OTHERWISE SPECIFIED DIMENSIONS ARE IN MILLIMETERS								
						TOLERANCES UNLESS NOTED:								
						DECIMALS:								
						.X ±.787mm								
						.XX ±.381mm								
						.XXX ±.127mm								
						ANGULAR ±1°								
						HOLES ±.127mm								
						DO NOT SCALE DRAWING								
							<b>TRUE</b> FITNESS TECHNOLOGY, INC. O'FALLON, MO. 63366							

# 7UCS0006

ITEM NO.	TRUE PART #	SRS Part #	DESCRIPTION	QTY.
1	7UCS0006	P12-UCS900-F	CONSOLE FRONT COVER	1



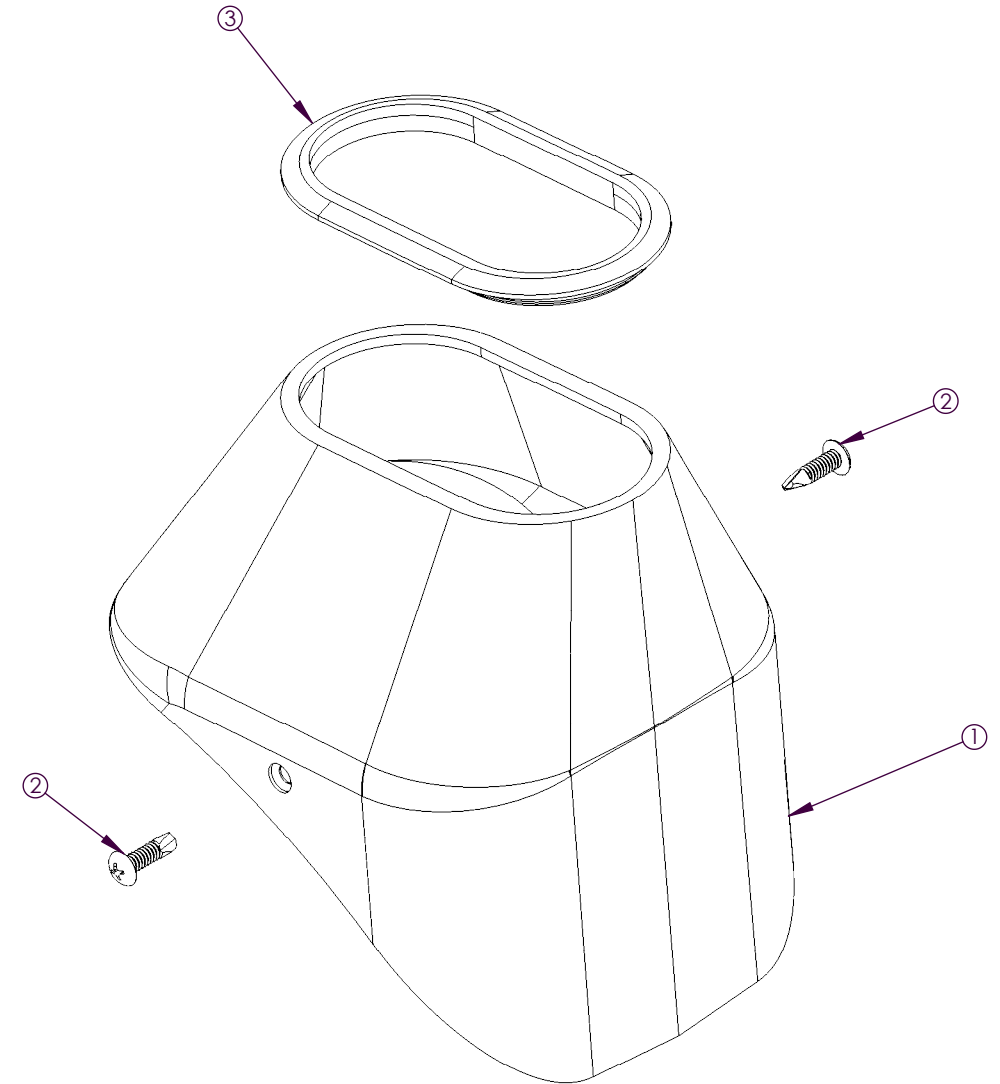
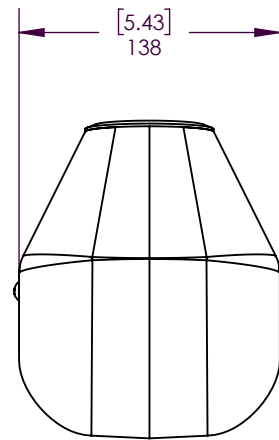
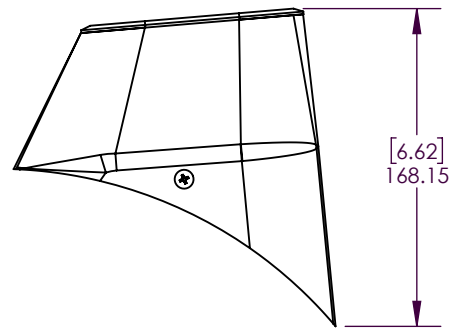
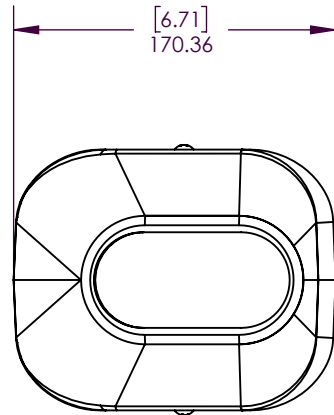
NOTE: ALL WEIGHTS AND DIMENSIONS ARE FOR REFERENCE ONLY

CONFIDENTIAL INFORMATION OF TRUE FITNESS TECHNOLOGY, INC. O'FALLON, MO. IT IS LOANED FOR CONFIDENTIAL USE. SUBJECT TO RETURN ON REQUEST, AND WITH THE MUTUAL UNDERSTANDING THAT IT WILL NOT BE USED IN ANY MANNER DETRIMENTAL TO THE INTERESTS OF TRUE FITNESS TECHNOLOGY, INC.

REV.	MCF#	DESCRIPTION	DATE	BY	APPRVL	TITLE	MATERIAL:	NOTES:	DRAWN BY	DATE	WEIGHT (KG)	DWG. SIZE	TRUE PART #:	REV.
						CONSOLE FRONT COVER	ABS PC				0.14Kg	A	7UCS0006	
A	-	ORIGINAL RELEASE	-	-	-	BREAK ALL SHARP CORNERS & EDGES								
						UNLESS OTHERWISE SPECIFIED DIMENSIONS ARE IN MILLIMETERS								
						TOLERANCES UNLESS NOTED:								
						DECIMALS:								
						.X ±.787mm								
						.XX ±.381mm								
						.XXX ±.127mm								
						ANGULAR ±1°								
						HOLES ±.127mm								
						DO NOT SCALE DRAWING								
							<b>TRUE</b> FITNESS TECHNOLOGY, INC. O'FALLON, MO. 63366							

# 7UCS0007

ITEM NO.	TRUE PART #	SRS Part #	DESCRIPTION	QTY.
1	7UCS0303	P10-UCS900	CONSOLE MAST BOOT, CHARCOAL	1
2	7UCS0304	S2T-0410DB	SCREW M4X10L	2
3	7UES0016	P25-UCS900-1	CONSOLE MAST BOOT GASKET, CHARCOAL	1

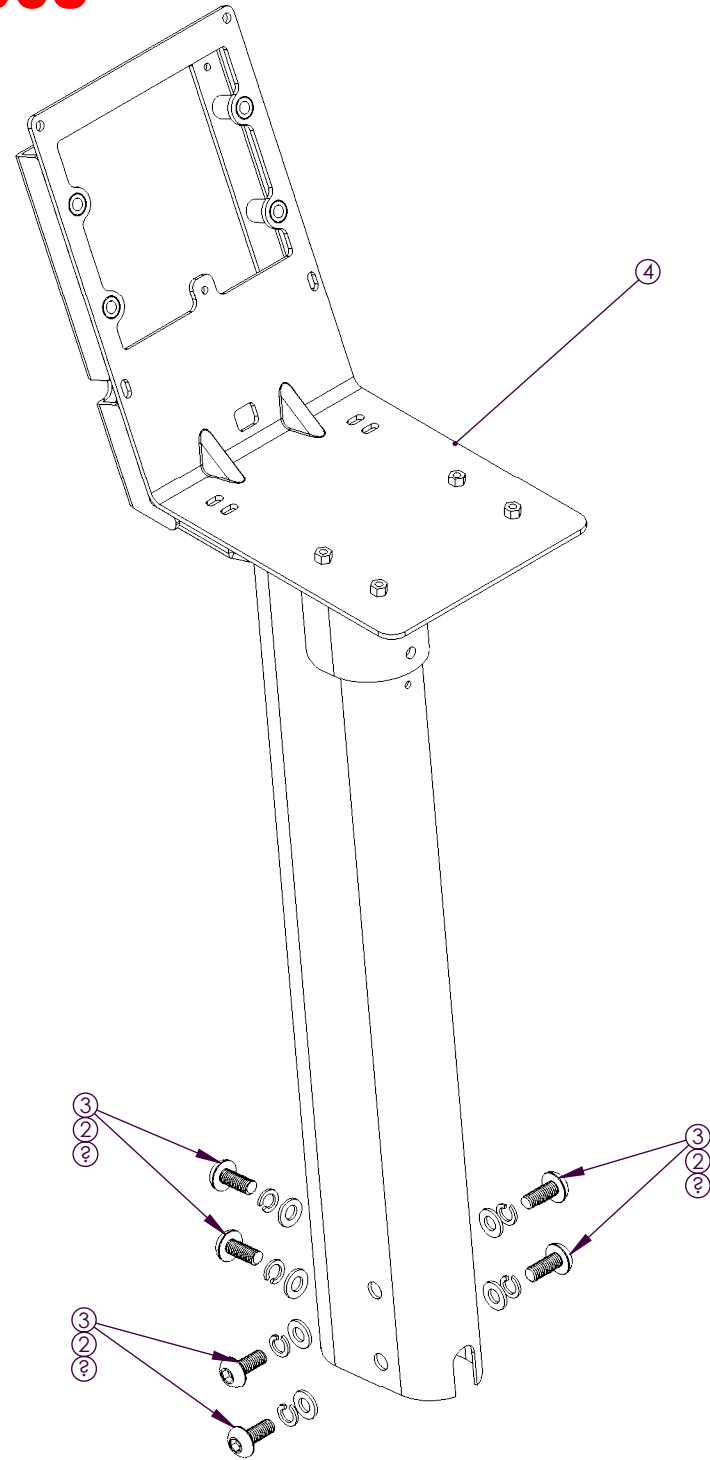


NOTE: ALL WEIGHTS AND DIMENSIONS ARE FOR REFERENCE ONLY

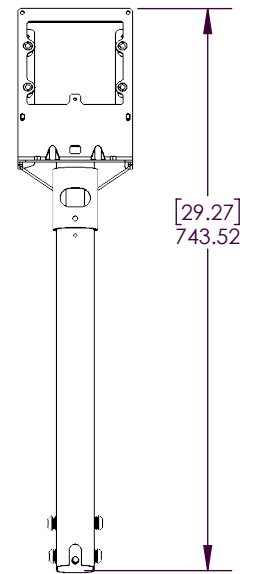
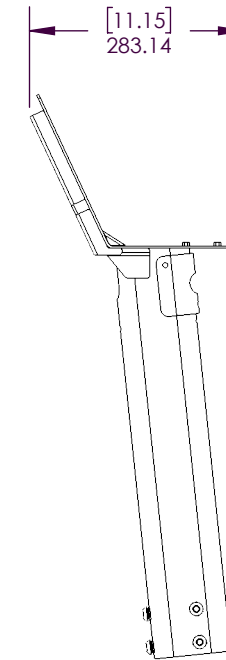
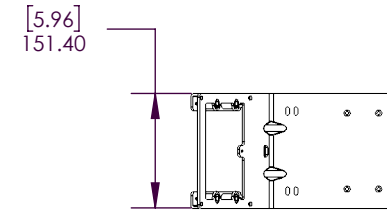
CONFIDENTIAL INFORMATION OF TRUE FITNESS TECHNOLOGY, INC. O'FALLON, MO. IT IS LOANED FOR CONFIDENTIAL USE. SUBJECT TO RETURN ON REQUEST, AND WITH THE MUTUAL UNDERSTANDING THAT IT WILL NOT BE USED IN ANY MANNER DETRIMENTAL TO THE INTERESTS OF TRUE FITNESS TECHNOLOGY, INC.

REV.	MCF#	DESCRIPTION	DATE	BY	APPRVL	TITLE	MATERIAL:	NOTES:	DRAWN BY	DATE	WEIGHT (KG)	DWG. SIZE	TRUE PART #:	REV.
A	-	ORIGINAL RELEASE	-	-	-	CONSOLE MAST BOOT W/GASKET	Material <not specified>				0.17 Kg	A	7UCS0007	
						BREAK ALL SHARP CORNERS & EDGES								
						UNLESS OTHERWISE SPECIFIED DIMENSIONS ARE IN MILLIMETERS								
						TOLERANCES UNLESS NOTED:								
						DECIMALS:								
						.X ±.787mm								
						.XX ±.381mm								
						.XXX ±.127mm								
						ANGULAR ±1°								
						HOLES ±.127mm								
						DO NOT SCALE DRAWING								
							<b>TRUE</b> FITNESS TECHNOLOGY, INC. O'FALLON, MO. 63366							

# 7UCS0008



ITEM NO.	TRUE PART #	SRS Part #	DESCRIPTION	QTY.
1	7CBW0015	SW-0816B-12	WASHER, M8X16X1.2T, BLACK	6
2	7CS80156	SSW-08ED	SPRING WASHER M8 (E. COATING)	6
3	7UCS0061	S1A-0820ED	SCREW M8X20L (E. COATING)	6
4	7UCS0305	PT-UCS900-03	CONSOLE HANDLE BAR MAST	1



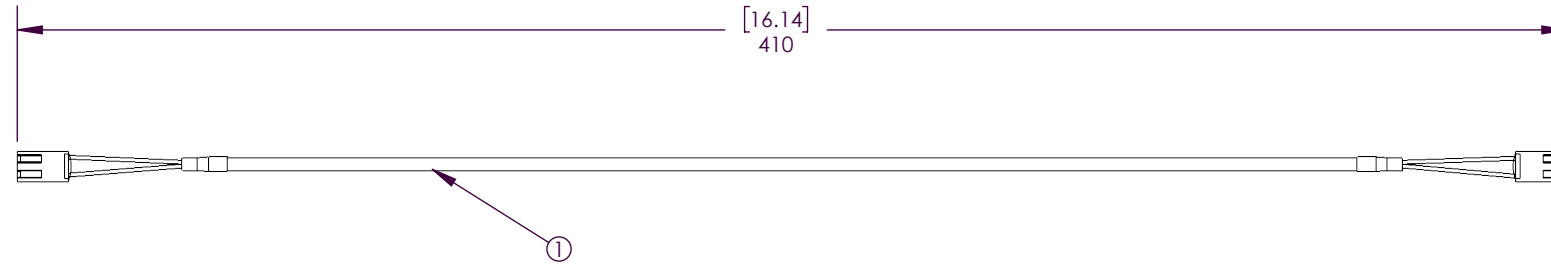
NOTE: ALL WEIGHTS AND DIMENSIONS ARE FOR REFERENCE ONLY

CONFIDENTIAL INFORMATION OF TRUE FITNESS TECHNOLOGY, INC. O'FALLON, MO. IT IS LOANED FOR CONFIDENTIAL USE. SUBJECT TO RETURN ON REQUEST, AND WITH THE MUTUAL UNDERSTANDING THAT IT WILL NOT BE USED IN ANY MANNER DETRIMENTAL TO THE INTERESTS OF TRUE FITNESS TECHNOLOGY, INC.

REV.	MCF#	DESCRIPTION	DATE	BY	APPRVL	TITLE	MATERIAL:	NOTES:	DRAWN BY	DATE	WEIGHT (KG)	DWG. SIZE	TRUE PART #:	REV.
A	-	ORIGINAL RELEASE	-	-	-	<b>CONSOLE MAST</b>	Material <not specified>				3.95Kg	A	7UCS0008	
						BREAK ALL SHARP CORNERS & EDGES								
						UNLESS OTHERWISE SPECIFIED DIMENSIONS ARE IN MILLIMETERS								
						TOLERANCES UNLESS NOTED:								
						DECIMALS:								
						.X ±.787mm								
						.XX ±.381mm								
						.XXX ±.127mm								
						ANGULAR ±1°								
						HOLES ±.127mm								
						DO NOT SCALE DRAWING								
						<b>TRUE</b> FITNESS TECHNOLOGY, INC. O'FALLON, MO. 63366								

# 7UCS0009

ITEM NO.	TRUE PART #	SRS Part #	DESCRIPTION	QTY.
1	7UCS0009	SM-UCS900-31-20	BRAKE GENERATOR CABLE	1

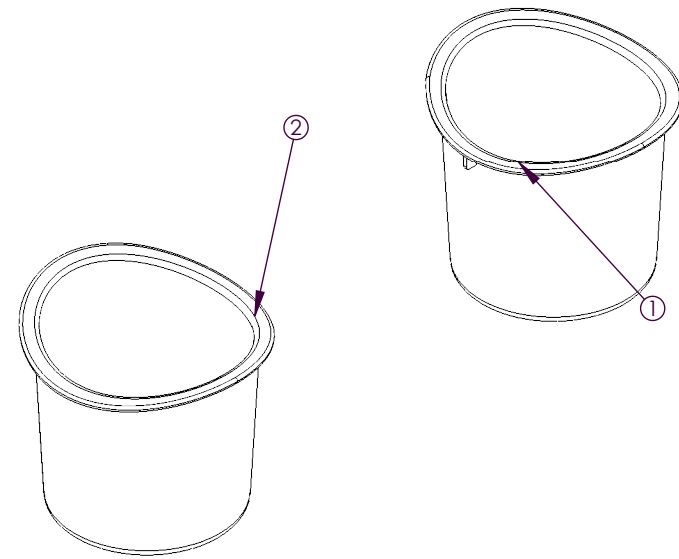
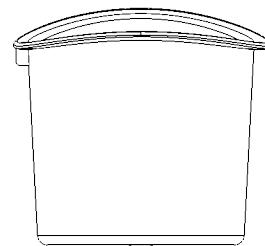
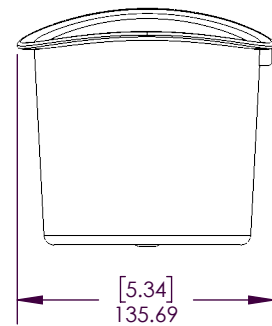
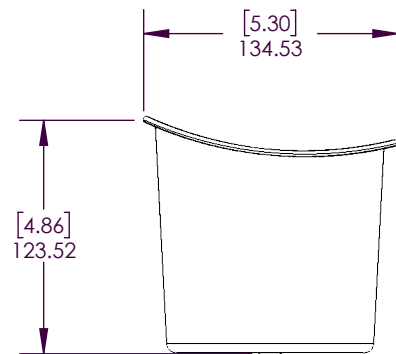
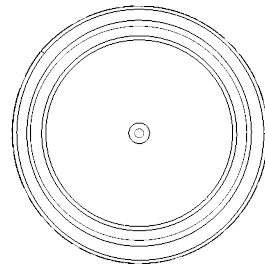
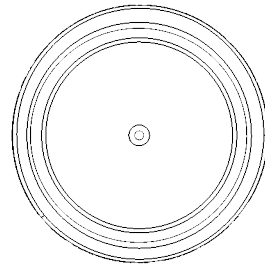


NOTE: ALL WEIGHTS AND DIMENSIONS ARE FOR REFERENCE ONLY

CONFIDENTIAL INFORMATION OF TRUE FITNESS TECHNOLOGY, INC. O'FALLON, MO. IT IS LOANED FOR CONFIDENTIAL USE. SUBJECT TO RETURN ON REQUEST, AND WITH THE MUTUAL UNDERSTANDING THAT IT WILL NOT BE USED IN ANY MANNER DETRIMENTAL TO THE INTERESTS OF TRUE FITNESS TECHNOLOGY, INC.

REV.	MCF#	DESCRIPTION	DATE	BY	APPRVL	TITLE	MATERIAL:	NOTES:	DRAWN BY	DATE	WEIGHT (KG)	DWG. SIZE	TRUE PART #:	REV.
						BRAKE GENERATOR CABLE						A	7UCS0009	
A	-	ORIGINAL RELEASE	-	-	-	BREAK ALL SHARP CORNERS & EDGES								
						UNLESS OTHERWISE SPECIFIED DIMENSIONS ARE IN MILLIMETERS								
						TOLERANCES UNLESS NOTED:								
						DECIMALS:								
						.X ±.787mm								
						.XX ±.381mm								
						.XXX ±.127mm								
						ANGULAR ±1°								
						HOLES ±.127mm								
						DO NOT SCALE DRAWING								
							<b>TRUE</b> FITNESS TECHNOLOGY, INC. O'FALLON, MO. 63366							

# 7UCS0010



ITEM NO.	TRUE PART #	SRS Part #	DESCRIPTION	QTY.
1	7UCS0010L	P07-UCS900-2L	CUP HOLDER, LEFT	1
2	7UCS0010R	P07-UCS900-2R	CUP HOLDER, RIGHT	1

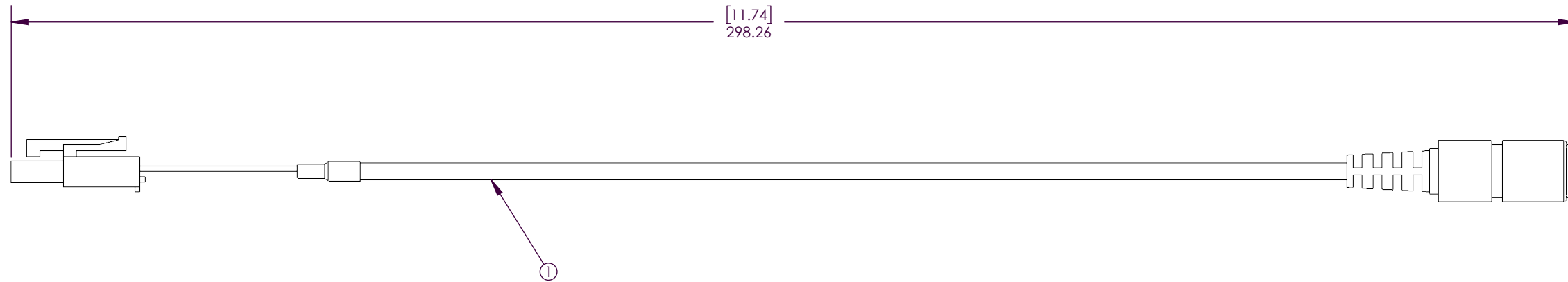
NOTE: ALL WEIGHTS AND DIMENSIONS ARE FOR REFERENCE ONLY

CONFIDENTIAL INFORMATION  
 OF TRUE FITNESS TECHNOLOGY, INC. O'FALLON, MO. IT IS LOANED FOR  
 CONFIDENTIAL USE. SUBJECT TO RETURN ON REQUEST, AND WITH THE  
 MUTUAL UNDERSTANDING THAT IT WILL NOT BE USED IN ANY MANNER  
 DETRIMENTAL TO THE INTERESTS OF TRUE FITNESS TECHNOLOGY, INC.

REV.	MCF#	DESCRIPTION	DATE	BY	APPRVL	TITLE	MATERIAL:	NOTES:	DRAWN BY	DATE	WEIGHT (KG)	DWG. SIZE	TRUE PART #:	REV.
A	-	ORIGINAL RELEASE	-	-	-	CUP HOLDER SET	Material <not specified>				0.298Kg	A	7UCS0010	
						BREAK ALL SHARP CORNERS & EDGES								
						UNLESS OTHERWISE SPECIFIED DIMENSIONS ARE IN MILLIMETERS								
						TOLERANCES UNLESS NOTED:								
						DECIMALS:								
						.X ±.787mm								
						.XX ±.381mm								
						.XXX ±.127mm								
						ANGULAR ±1°								
						HOLES ±.127mm								
						DO NOT SCALE DRAWING								
							<b>TRUE</b> FITNESS TECHNOLOGY, INC. O'FALLON, MO. 63366							

# 7UCS0011

ITEM NO.	TRUE PART #	SRS Part #	DESCRIPTION	QTY.
1	7UCS0011	SM-UCS900-31-12	DC POWER CABLE, LOWER	1



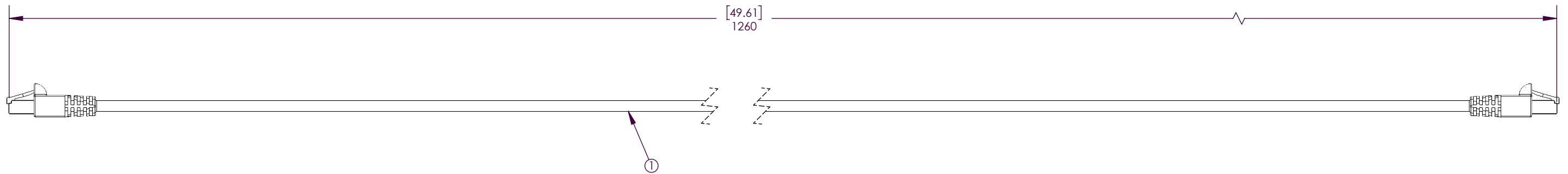
NOTE: ALL WEIGHTS AND DIMENSIONS ARE FOR REFERENCE ONLY

CONFIDENTIAL INFORMATION OF TRUE FITNESS TECHNOLOGY, INC. O'FALLON, MO. IT IS LOANED FOR CONFIDENTIAL USE. SUBJECT TO RETURN ON REQUEST, AND WITH THE MUTUAL UNDERSTANDING THAT IT WILL NOT BE USED IN ANY MANNER DETRIMENTAL TO THE INTERESTS OF TRUE FITNESS TECHNOLOGY, INC.

REV.	MCF#	DESCRIPTION	DATE	BY	APPRVL	TITLE	MATERIAL:	NOTES:	DRAWN BY	DATE	WEIGHT (KG)	DWG. SIZE	TRUE PART #:	REV.
						DC POWER CABLE, LOWER			YYB			A	7UCS0011	00
A	-	ORIGINAL RELEASE	-	-	-	BREAK ALL SHARP CORNERS & EDGES								
						UNLESS OTHERWISE SPECIFIED DIMENSIONS ARE IN MILLIMETERS								
						TOLERANCES UNLESS NOTED:								
						DECIMALS:								
						.X ±.787mm								
						.XX ±.381mm								
						.XXX ±.127mm								
						ANGULAR ±1°								
						HOLES ±.127mm								
						DO NOT SCALE DRAWING								
							TRUE FITNESS TECHNOLOGY, INC. O'FALLON, MO. 63366							

# 7UCS0013

ITEM NO.	TRUE PART #	SRS Part #	DESCRIPTION	QTY.
1	7UCS0013	SM-UCS900-31-6	ETHERNET CABLE	1



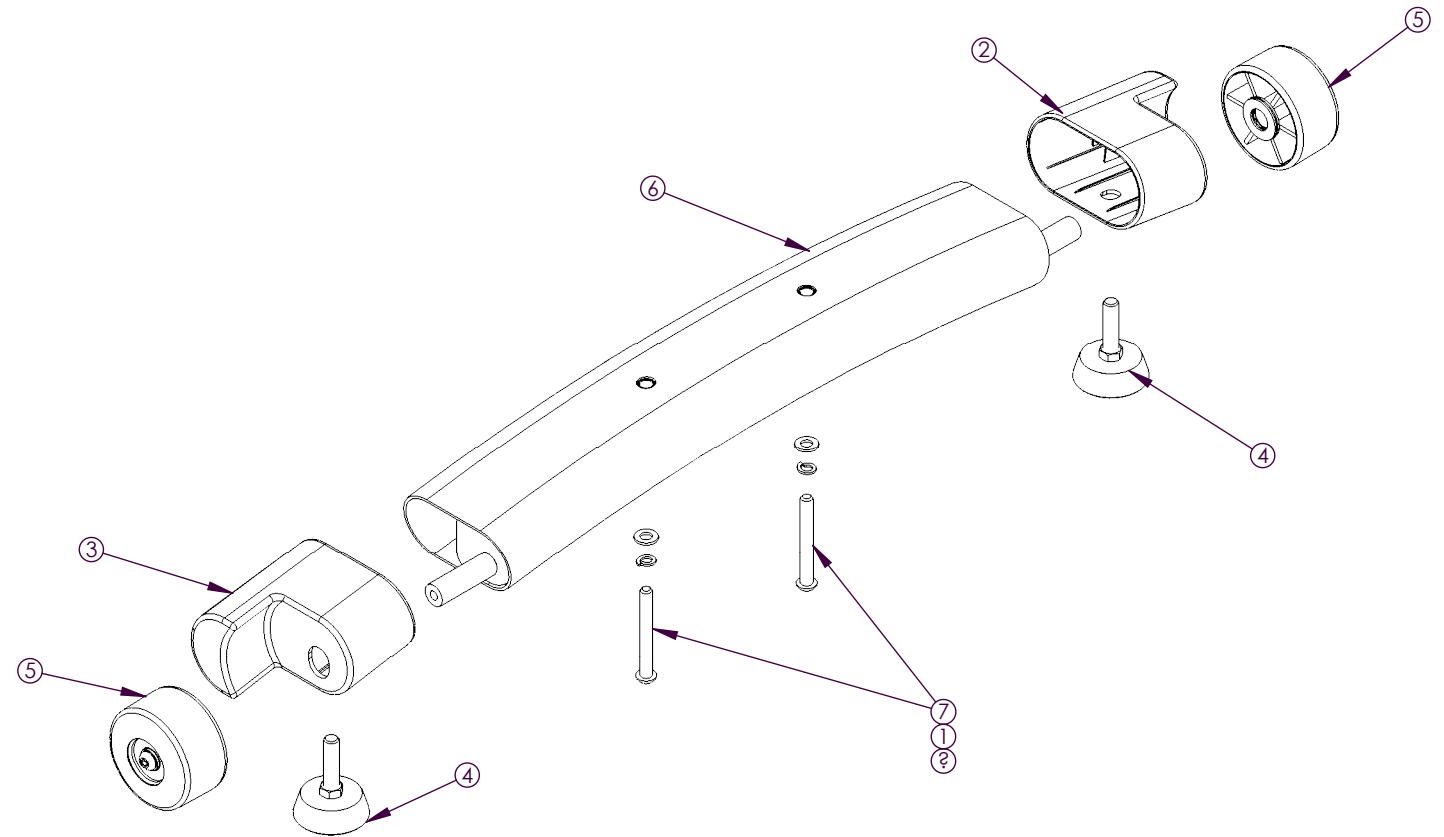
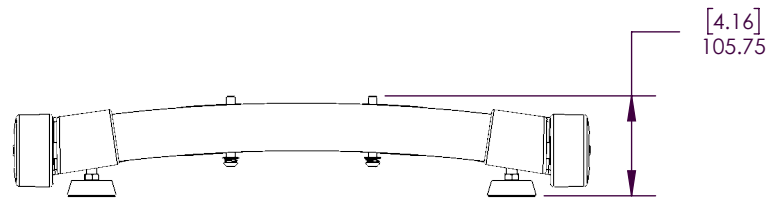
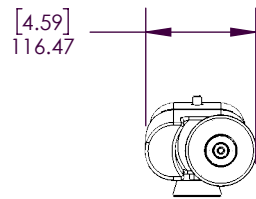
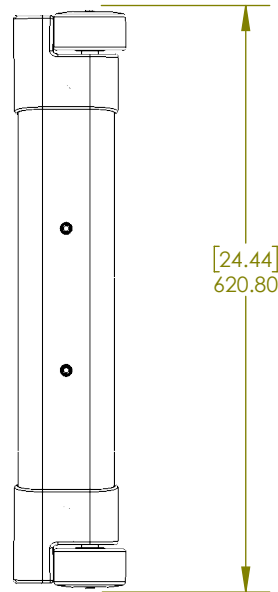
NOTE: ALL WEIGHTS AND DIMENSIONS ARE FOR REFERENCE ONLY

CONFIDENTIAL INFORMATION OF TRUE FITNESS TECHNOLOGY, INC. O'FALLON, MO. IT IS LOANED FOR CONFIDENTIAL USE. SUBJECT TO RETURN ON REQUEST, AND WITH THE MUTUAL UNDERSTANDING THAT IT WILL NOT BE USED IN ANY MANNER DETRIMENTAL TO THE INTERESTS OF TRUE FITNESS TECHNOLOGY, INC.

REV.	MCF#	DESCRIPTION	DATE	BY	APPRVL	TITLE	MATERIAL:	NOTES:	DRAWN BY	DATE	WEIGHT (KG)	DWG. SIZE	TRUE PART #:	REV.
						ETHERNET CABLE	Material <not specified>				0.29Kg	A	7UCS0013	
A	-	ORIGINAL RELEASE	-	-	-	BREAK ALL SHARP CORNERS & EDGES								
						UNLESS OTHERWISE SPECIFIED DIMENSIONS ARE IN MILLIMETERS								
						TOLERANCES UNLESS NOTED:								
						DECIMALS:								
						.X ±.787mm								
						.XX ±.381mm								
						.XXX ±.127mm								
						ANGULAR ±1°								
						HOLES ±.127mm								
						DO NOT SCALE DRAWING								
							<b>TRUE</b> FITNESS TECHNOLOGY, INC. O'FALLON, MO. 63366							

# 7UCS0015

ITEM NO.	TRUE PART #	SRS Part #	DESCRIPTION	QTY.
1	7CS80156	SSW-08ED	SPRING WASHER M8 (E. COATING)	2
2	7UCS0016	P03-UCS900-FL	FRONT STABILIZER END (L)	1
3	7UCS0017	P03-UCS900-FR	FRONT STABILIZER END (R)	1
4	7UCS0036		LEVELING FOOT	2
5	7UCS0043		TRANSPORT WHEEL	2
6	7UCS0306	PT-UCS900-06F	FRONT STABILIZER	1
7	7UCS0309	S1A-0870ED-23	SCREW M8X70L (E. COATING)	2
8	7CBW0015	SW-0816B-12	WASHER, M8X16X1.2T, BLACK	2



NOTE: ALL WEIGHTS AND DIMENSIONS ARE FOR REFERENCE ONLY

CONFIDENTIAL INFORMATION OF TRUE FITNESS TECHNOLOGY, INC. O'FALLON, MO. IT IS LOANED FOR CONFIDENTIAL USE. SUBJECT TO RETURN ON REQUEST, AND WITH THE MUTUAL UNDERSTANDING THAT IT WILL NOT BE USED IN ANY MANNER DETRIMENTAL TO THE INTERESTS OF TRUE FITNESS TECHNOLOGY, INC.

REV.	MCF#	DESCRIPTION	DATE	BY	APPRVL	TITLE	MATERIAL:	NOTES:	DRAWN BY	DATE	WEIGHT (KG)	DWG. SIZE	TRUE PART #:	REV.
A	-	ORIGINAL RELEASE	-	-	-	FRONT STABILIZER ASSEMBLY	Material <not specified>				3.51Kg	A	7UCS0015	
						BREAK ALL SHARP CORNERS & EDGES UNLESS OTHERWISE SPECIFIED DIMENSIONS ARE IN MILLIMETERS TOLERANCES UNLESS NOTED: DECIMALS: .X ±.787mm .XX ±.381mm .XXX ±.127mm ANGULAR ±1° HOLES ±.127mm DO NOT SCALE DRAWING								



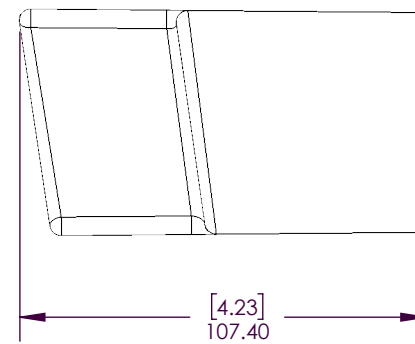
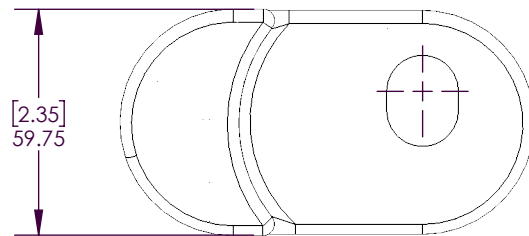
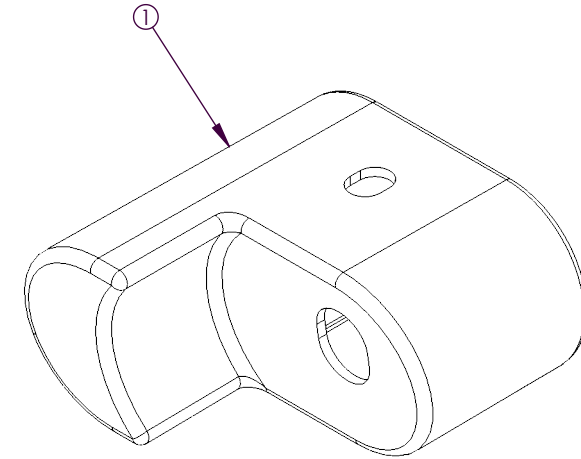
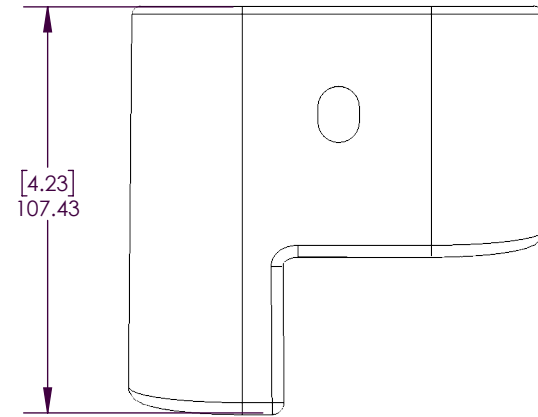
DWG. SIZE  
A

TRUE PART #:  
7UCS0015

REV.

# 7UCS0016

ITEM NO.	TRUE PART #	SRS Part #	DESCRIPTION	QTY.
1	7UCS0016	P03-UCS900-FL	FRONT STABILIZER END (L)	1



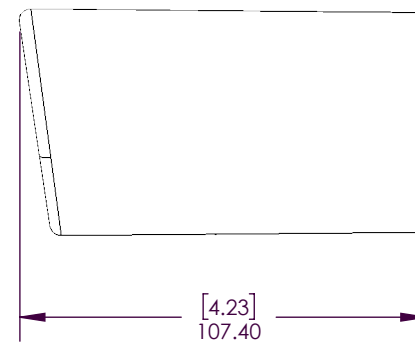
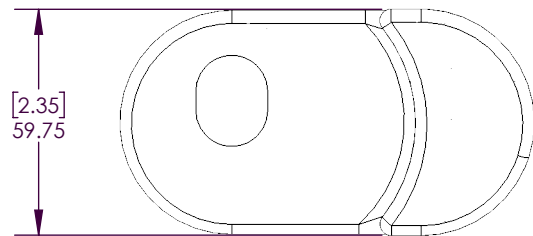
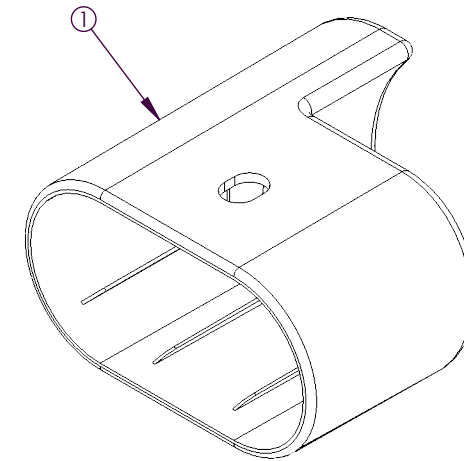
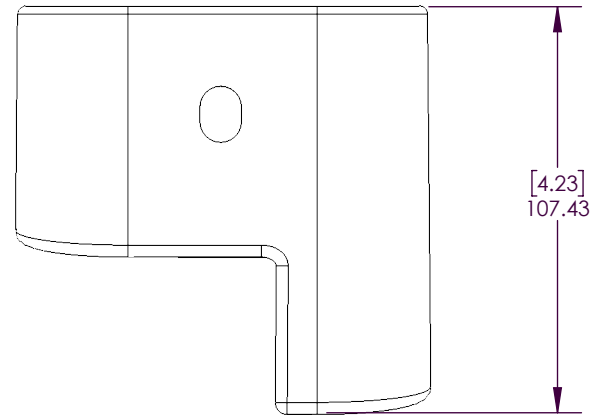
NOTE: ALL WEIGHTS AND DIMENSIONS ARE FOR REFERENCE ONLY

CONFIDENTIAL INFORMATION OF TRUE FITNESS TECHNOLOGY, INC. O'FALLON, MO. IT IS LOANED FOR CONFIDENTIAL USE. SUBJECT TO RETURN ON REQUEST, AND WITH THE MUTUAL UNDERSTANDING THAT IT WILL NOT BE USED IN ANY MANNER DETRIMENTAL TO THE INTERESTS OF TRUE FITNESS TECHNOLOGY, INC.

REV.	MCF#	DESCRIPTION	DATE	BY	APPRVL	TITLE	MATERIAL:	NOTES:	DRAWN BY	DATE	WEIGHT (KG)	DWG. SIZE	TRUE PART #:	REV.
						FRONT STABILIZER END (L)	ABS PC				0.19Kg	A	7UCS0016	
A	-	ORIGINAL RELEASE	-	-	-	BREAK ALL SHARP CORNERS & EDGES								
						UNLESS OTHERWISE SPECIFIED DIMENSIONS ARE IN MILLIMETERS								
						TOLERANCES UNLESS NOTED:								
						DECIMALS:								
						.X ±.787mm								
						.XX ±.381mm								
						.XXX ±.127mm								
						ANGULAR ±1°								
						HOLES ±.127mm								
						DO NOT SCALE DRAWING								
							<b>TRUE</b> FITNESS TECHNOLOGY, INC. O'FALLON, MO. 63366							

# 7UCS0017

ITEM NO.	TRUE PART #	SRS Part #	DESCRIPTION	QTY.
1	7UCS0017	P03-UCS900-FR	FRONT STABILIZER END (R)	1



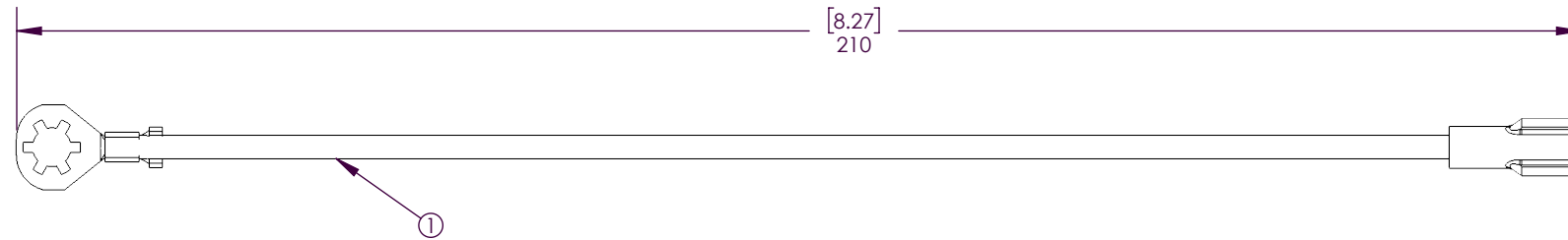
NOTE: ALL WEIGHTS AND DIMENSIONS ARE FOR REFERENCE ONLY

CONFIDENTIAL INFORMATION OF TRUE FITNESS TECHNOLOGY, INC. O'FALLON, MO. IT IS LOANED FOR CONFIDENTIAL USE. SUBJECT TO RETURN ON REQUEST, AND WITH THE MUTUAL UNDERSTANDING THAT IT WILL NOT BE USED IN ANY MANNER DETRIMENTAL TO THE INTERESTS OF TRUE FITNESS TECHNOLOGY, INC.

REV.	MCF#	DESCRIPTION	DATE	BY	APPRVL	TITLE	MATERIAL:	NOTES:	DRAWN BY	DATE	WEIGHT (KG)	DWG. SIZE	TRUE PART #:	REV.
						FRONT STABILIZER END (R)	ABS PC				0.19Kg	A	7UCS0017	
A	-	ORIGINAL RELEASE	-	-	-	BREAK ALL SHARP CORNERS & EDGES								
						UNLESS OTHERWISE SPECIFIED DIMENSIONS ARE IN MILLIMETERS								
						TOLERANCES UNLESS NOTED:								
						DECIMALS:								
						.X ±.787mm								
						.XX ±.381mm								
						.XXX ±.127mm								
						ANGULAR ±1°								
						HOLES ±.127mm								
						DO NOT SCALE DRAWING								
							<b>TRUE</b> FITNESS TECHNOLOGY, INC. O'FALLON, MO. 63366							

# 7UCS0018

ITEM NO.	TRUE PART #	SRS Part #	DESCRIPTION	QTY.
1	7UCS0018	SM-UCS900-31-15	GROUNDING CABLE	1

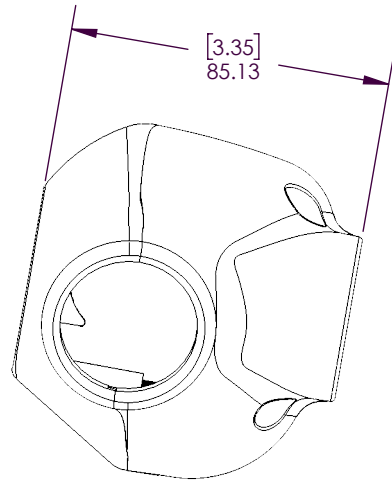
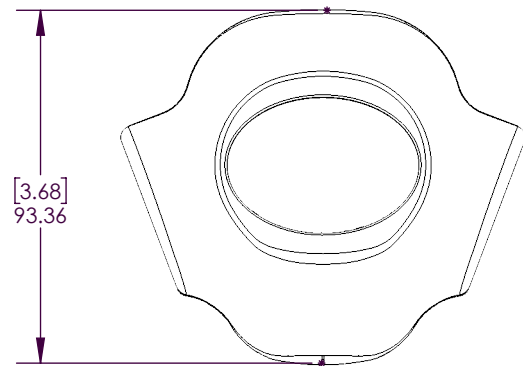
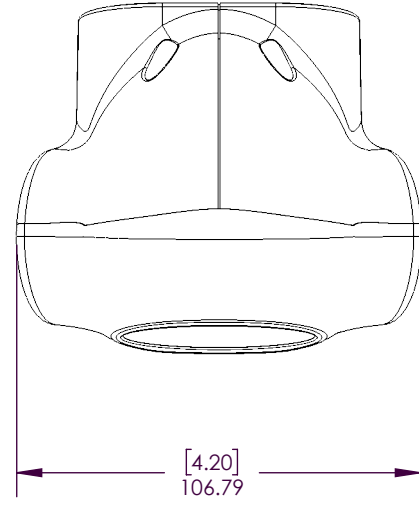


NOTE: ALL WEIGHTS AND DIMENSIONS ARE FOR REFERENCE ONLY

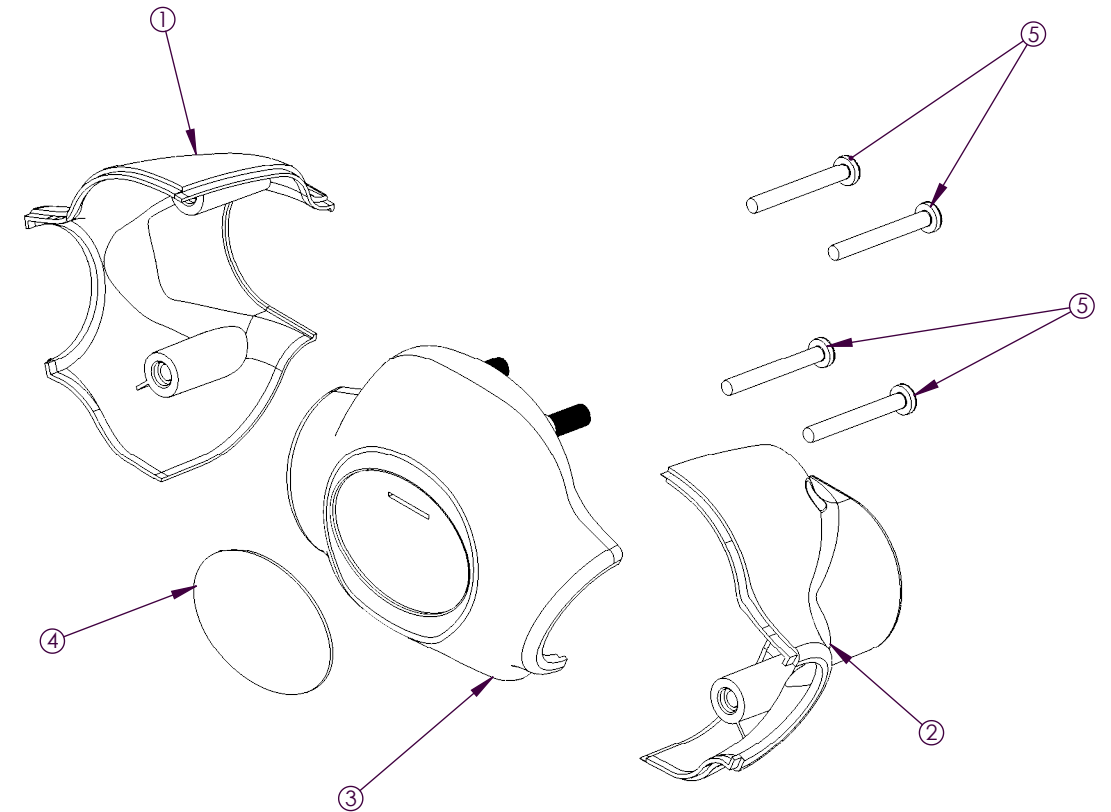
CONFIDENTIAL INFORMATION OF TRUE FITNESS TECHNOLOGY, INC. O'FALLON, MO. IT IS LOANED FOR CONFIDENTIAL USE. SUBJECT TO RETURN ON REQUEST, AND WITH THE MUTUAL UNDERSTANDING THAT IT WILL NOT BE USED IN ANY MANNER DETRIMENTAL TO THE INTERESTS OF TRUE FITNESS TECHNOLOGY, INC.

REV.	MCF#	DESCRIPTION	DATE	BY	APPRVL	TITLE	MATERIAL:	NOTES:	DRAWN BY	DATE	WEIGHT (KG)	DWG. SIZE	TRUE PART #:	REV.
						GROUNDING CABLE						A	7UCS0018	
A	-	ORIGINAL RELEASE	-	-	-	BREAK ALL SHARP CORNERS & EDGES								
						UNLESS OTHERWISE SPECIFIED DIMENSIONS ARE IN MILLIMETERS								
						TOLERANCES UNLESS NOTED:								
						DECIMALS:								
						.X ±.787mm								
						.XX ±.381mm								
						.XXX ±.127mm								
						ANGULAR ±1°								
						HOLES ±.127mm								
						DO NOT SCALE DRAWING								
							<b>TRUE</b> FITNESS TECHNOLOGY, INC. O'FALLON, MO. 63366							

# 7UCS0051



ITEM NO.	TRUE PART #	SRS Part #	DESCRIPTION	QTY.
1	7UCS0310	P66-UCS900-L	THUMB SWITCH HUB BOTTOM COVER, LEFT	1
2	7UCS0311	P66-UCS900-R	THUMB SWITCH HUB BOTTOM COVER, RIGHT	1
3	7UCS0313	P66-UCS900-T	THUMB SWITCH TOP COVER	1
4	7UCS0380		TRUE DECAL	1
5				4

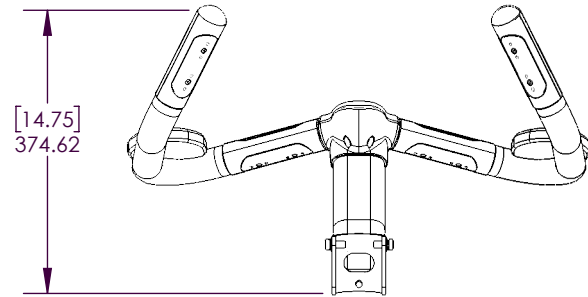
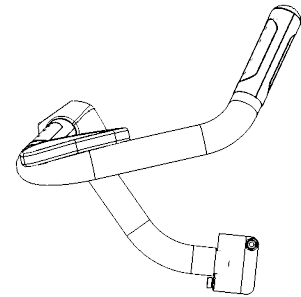
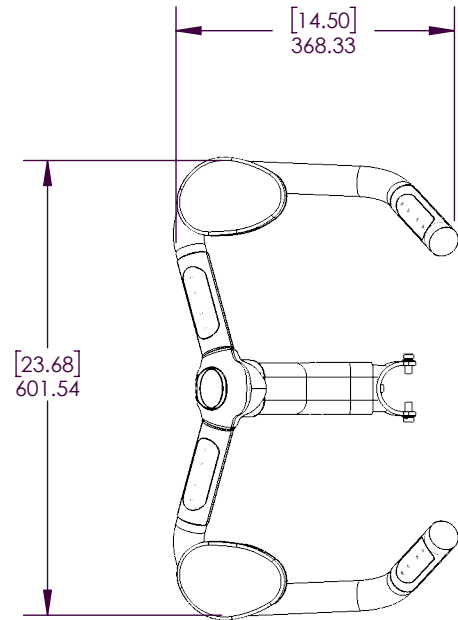


NOTE: ALL WEIGHTS AND DIMENSIONS ARE FOR REFERENCE ONLY

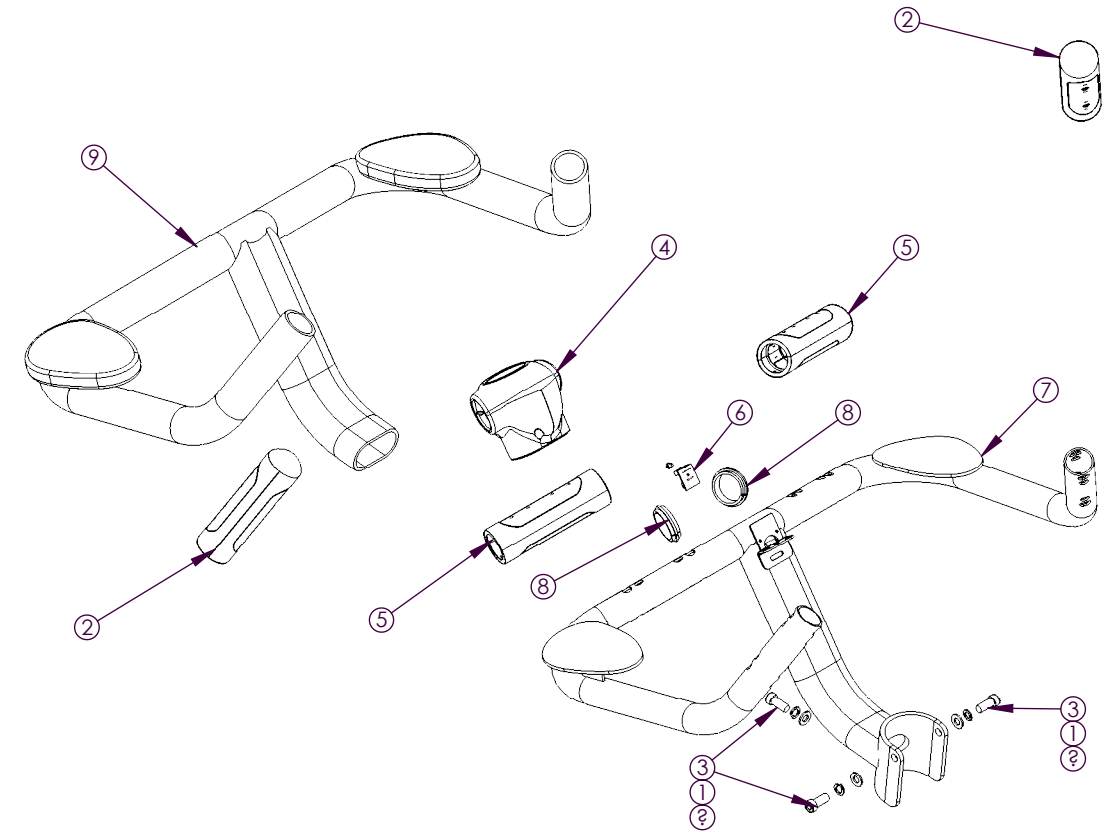
CONFIDENTIAL INFORMATION OF TRUE FITNESS TECHNOLOGY, INC. O'FALLON, MO. IT IS LOANED FOR CONFIDENTIAL USE. SUBJECT TO RETURN ON REQUEST, AND WITH THE MUTUAL UNDERSTANDING THAT IT WILL NOT BE USED IN ANY MANNER DETRIMENTAL TO THE INTERESTS OF TRUE FITNESS TECHNOLOGY, INC.

REV.	MCF#	DESCRIPTION	DATE	BY	APPRVL	TITLE	MATERIAL:	NOTES:	DRAWN BY	DATE	WEIGHT (KG)	DWG. SIZE	TRUE PART #:	REV.
A	-	ORIGINAL RELEASE	-	-	-	<b>HANDLE BAR CENTER COVER SET W/BUTTONS</b>	Material <not specified>				0.08Kg	A	7UCS0051	
						BREAK ALL SHARP CORNERS & EDGES								
						UNLESS OTHERWISE SPECIFIED DIMENSIONS ARE IN MILLIMETERS								
						TOLERANCES UNLESS NOTED:								
						DECIMALS:								
						.X ±.787mm								
						.XX ±.381mm								
						.XXX ±.127mm								
						ANGULAR ±1°								
						HOLES ±.127mm								
						DO NOT SCALE DRAWING								
						<b>TRUE</b> FITNESS TECHNOLOGY, INC. O'FALLON, MO. 63366								

# 7UCS0379



ITEM NO.	TRUE PART #	SRS Part #	DESCRIPTION	QTY.
1	7CS80156	SSW-08ED	SPRING WASHER M8 (E. COATING)	3
2	7CT0012		GRIP ASSEMBLY W/CONTACT HR (L)	2
3	7FT0047		SOCKET HEX HD BOLT, M8 X P1.25 X 20	3
4	7UCS0051	ASS-P66-UCS400	HANDLE BAR CENTER COVER SET W/BUTTONS	1
5	7UCS0048		CHR GRIP ASSEMBLY, LOWER	2
6	7UCS0067	SM-UCS900-31-1	THUMB SWITCH CONNECTION	1
7	7UCS0315	WUCS900-05	HANDLEBAR, WELDMENT, UPRIGHTS	1
8	7UCS0317	P25-UCS900-2	HANDLEBAR RUBBER RING, TPR, BLACK	2
9	7UCS0368		HANDLEBAR, RUBBER COVER	1
10	7CBW0015	SW-0816B-12	WASHER, M8X16X1.2T, BLACK	3
11				1



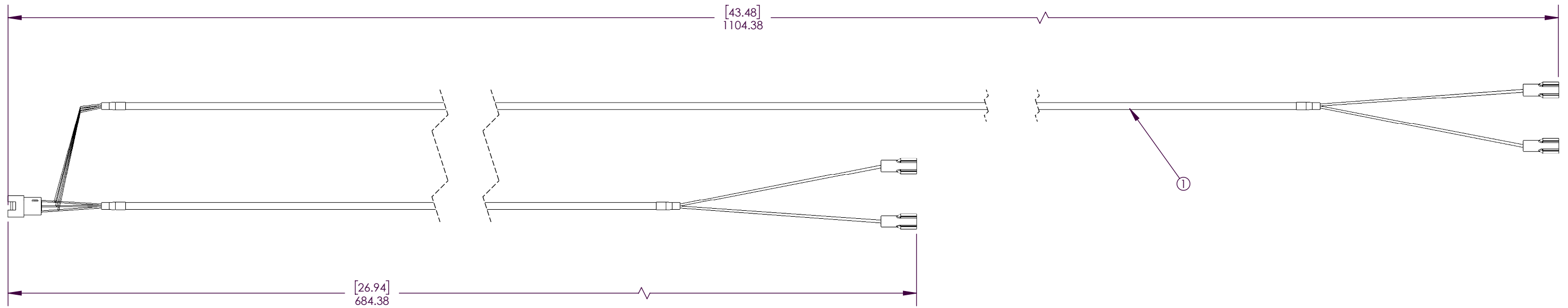
NOTE: ALL WEIGHTS AND DIMENSIONS ARE FOR REFERENCE ONLY

CONFIDENTIAL INFORMATION OF TRUE FITNESS TECHNOLOGY, INC. O'FALLON, MO. IT IS LOANED FOR CONFIDENTIAL USE. SUBJECT TO RETURN ON REQUEST, AND WITH THE MUTUAL UNDERSTANDING THAT IT WILL NOT BE USED IN ANY MANNER DETRIMENTAL TO THE INTERESTS OF TRUE FITNESS TECHNOLOGY, INC.

REV.	MCF#	DESCRIPTION	DATE	BY	APPRVL	TITLE	MATERIAL:	NOTES:	DRAWN BY	DATE	WEIGHT (KG)	DWG. SIZE	TRUE PART #:	REV.
A	-	ORIGINAL RELEASE	-	-	-	<b>HANDLEBAR ASSEMBLY, UC400</b>	Material <not specified>				4.75Kg	A	7UCS0379	
						BREAK ALL SHARP CORNERS & EDGES								
						UNLESS OTHERWISE SPECIFIED DIMENSIONS ARE IN MILLIMETERS								
						TOLERANCES UNLESS NOTED:								
						DECIMALS:								
						.X ±.787mm								
						.XX ±.381mm								
						.XXX ±.127mm								
						ANGULAR ±1°								
						HOLES ±.127mm								
						DO NOT SCALE DRAWING								
						<b>TRUE</b> FITNESS TECHNOLOGY, INC. O'FALLON, MO. 63366								

# 7UCS0021

ITEM NO.	TRUE PART #	SRS Part #	DESCRIPTION	QTY.
1	7UCS0021	SM-UCS900-31-26	HANDLEBAR HRL HRR WIRE	1



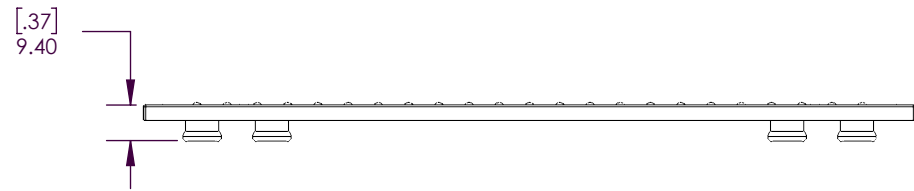
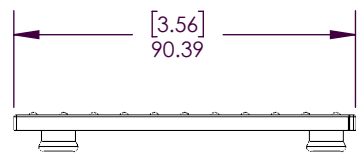
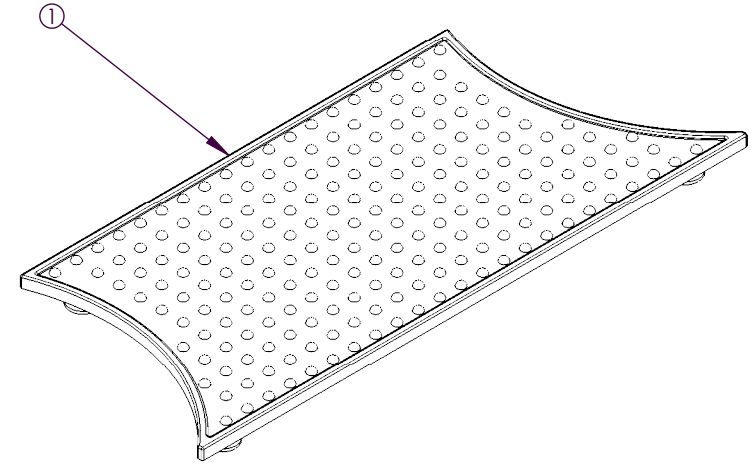
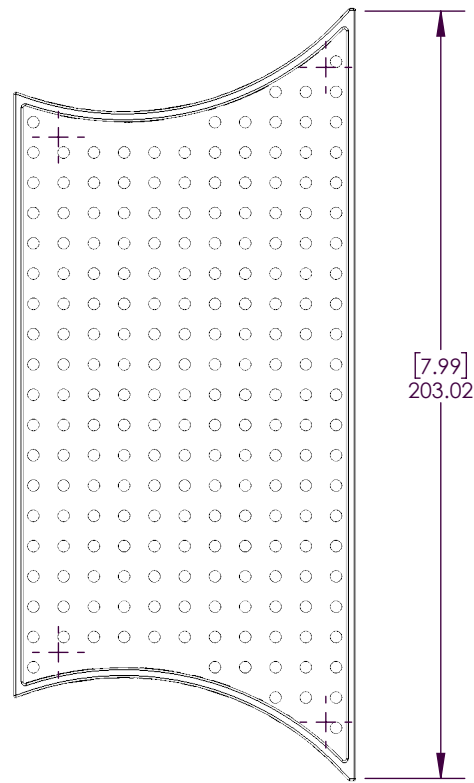
NOTE: ALL WEIGHTS AND DIMENSIONS ARE FOR REFERENCE ONLY

CONFIDENTIAL INFORMATION OF TRUE FITNESS TECHNOLOGY, INC. O'FALLON, MO. IT IS LOANED FOR CONFIDENTIAL USE. SUBJECT TO RETURN ON REQUEST, AND WITH THE MUTUAL UNDERSTANDING THAT IT WILL NOT BE USED IN ANY MANNER DETRIMENTAL TO THE INTERESTS OF TRUE FITNESS TECHNOLOGY, INC.

REV.	MCF#	DESCRIPTION	DATE	BY	APPRVL	TITLE	MATERIAL:	NOTES:	DRAWN BY	DATE	WEIGHT (KG)	DWG. SIZE	TRUE PART #:	REV.
A	-	ORIGINAL RELEASE	-	-	-	<b>HANDLEBAR HEART RATE LEFT/RIGHT CABLE, CHR GRIP</b>	BREAK ALL SHARP CORNERS & EDGES		YYB			A	7UCS0021	00
						UNLESS OTHERWISE SPECIFIED DIMENSIONS ARE IN MILLIMETERS								
						TOLERANCES UNLESS NOTED:								
						DECIMALS:								
						.X ±.787mm								
						.XX ±.381mm								
						.XXX ±.127mm								
						ANGULAR ±1°								
						HOLES ±.127mm								
						DO NOT SCALE DRAWING								
							<b>TRUE</b> FITNESS TECHNOLOGY, INC. O'FALLON, MO. 63366							

# 7UCS0024

ITEM NO.	TRUE PART #	SRS Part #	DESCRIPTION	QTY.
1	7UCS0024	P25-UCS900-3	IPOD TRAY PAD - TRUE BLUE	1



NOTE: ALL WEIGHTS AND DIMENSIONS ARE FOR REFERENCE ONLY

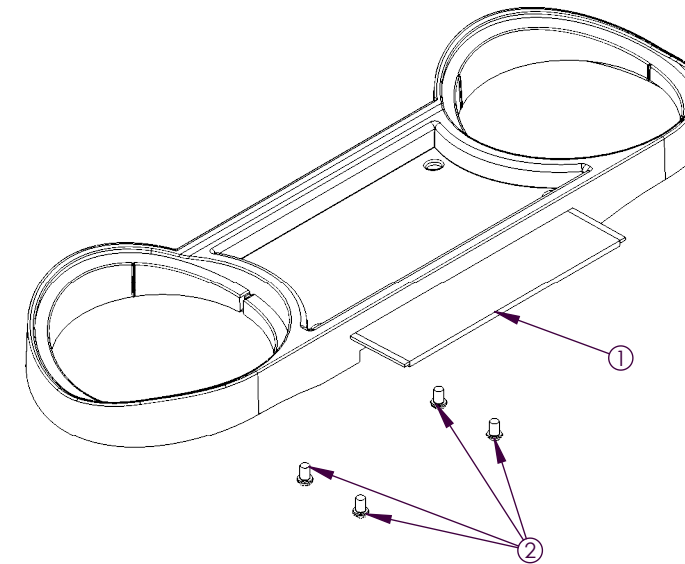
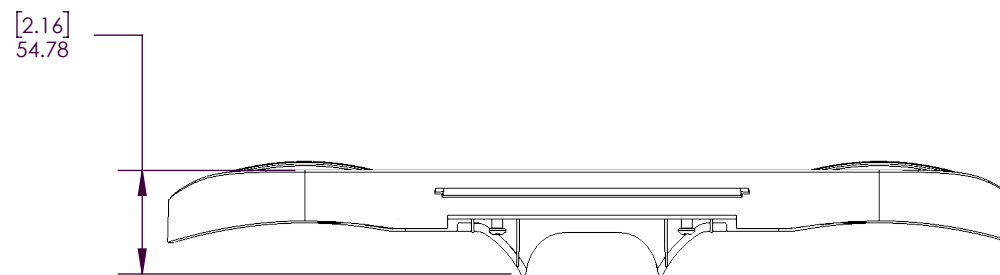
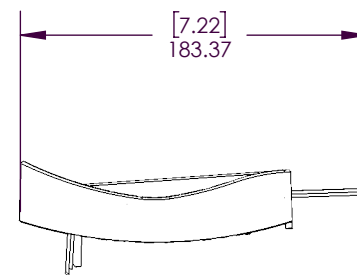
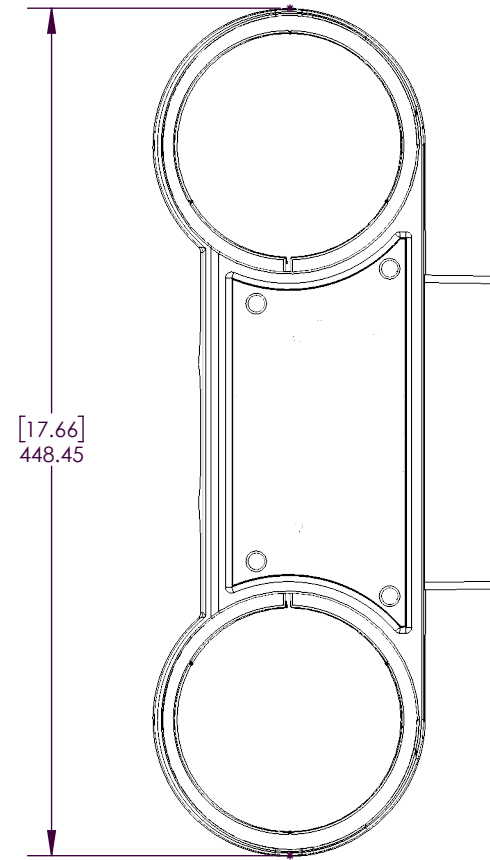
CONFIDENTIAL INFORMATION OF TRUE FITNESS TECHNOLOGY, INC. O'FALLON, MO. IT IS LOANED FOR CONFIDENTIAL USE. SUBJECT TO RETURN ON REQUEST, AND WITH THE MUTUAL UNDERSTANDING THAT IT WILL NOT BE USED IN ANY MANNER DETRIMENTAL TO THE INTERESTS OF TRUE FITNESS TECHNOLOGY, INC.

REV.	MCF#	DESCRIPTION	DATE	BY	APPRVL	TITLE	MATERIAL:	NOTES:	DRAWN BY	DATE	WEIGHT (KG)	DWG. SIZE	TRUE PART #:	REV.
A	-	ORIGINAL RELEASE	-	-	-	<b>IPOD TRAY PAD - TRUE BLUE</b>	Rubber				0.05Kg	A	7UCS0024	
						BREAK ALL SHARP CORNERS & EDGES UNLESS OTHERWISE SPECIFIED DIMENSIONS ARE IN MILLIMETERS TOLERANCES UNLESS NOTED: DECIMALS: .X ±.787mm .XX ±.381mm .XXX ±.127mm ANGULAR ±1° HOLES ±.127mm DO NOT SCALE DRAWING								



# 7UCS0025

ITEM NO.	TRUE PART #	SRS Part #	DESCRIPTION	QTY.
1	7TL0065	P07-UCS900-1	IPOD TRAY W/CUP HOLDER	1
2	TL0064	S1T-0508ED	PRHMS M5-0.8x8 Black	4



NOTE: ALL WEIGHTS AND DIMENSIONS ARE FOR REFERENCE ONLY

CONFIDENTIAL INFORMATION OF TRUE FITNESS TECHNOLOGY, INC. O'FALLON, MO. IT IS LOANED FOR CONFIDENTIAL USE. SUBJECT TO RETURN ON REQUEST, AND WITH THE MUTUAL UNDERSTANDING THAT IT WILL NOT BE USED IN ANY MANNER DETRIMENTAL TO THE INTERESTS OF TRUE FITNESS TECHNOLOGY, INC.

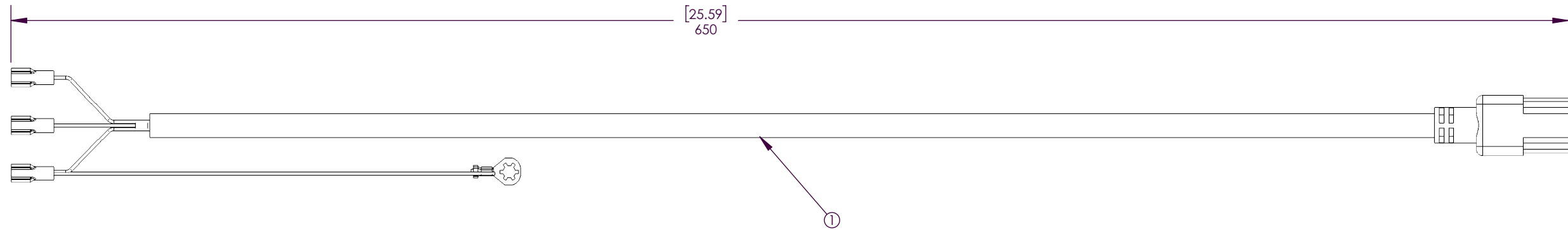
REV.	MCF#	DESCRIPTION	DATE	BY	APPRVL	TITLE	MATERIAL:	NOTES:	DRAWN BY	DATE	WEIGHT (KG)	DWG. SIZE	TRUE PART #:	REV.
A	-	ORIGINAL RELEASE	-	-	-	IPOD TRAY W/CUP HOLDER	Material <not specified>				0.28Kg	A	7UCS0025	
						BREAK ALL SHARP CORNERS & EDGES UNLESS OTHERWISE SPECIFIED DIMENSIONS ARE IN MILLIMETERS TOLERANCES UNLESS NOTED: DECIMALS: .X ±.787mm .XX ±.381mm .XXX ±.127mm ANGULAR ±1° HOLES ±.127mm DO NOT SCALE DRAWING								





# 7UCS0027

ITEM NO.	TRUE PART #	SRS Part #	DESCRIPTION	QTY.
1	7UCS0027	SM-UCS900-31-13	MAIN DATA/POWER CABLE	1



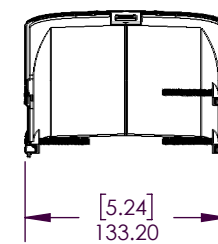
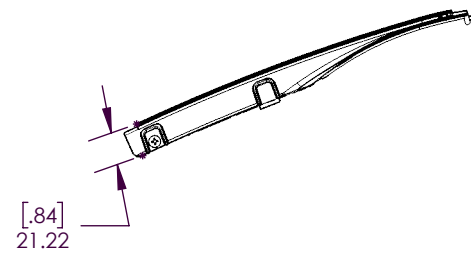
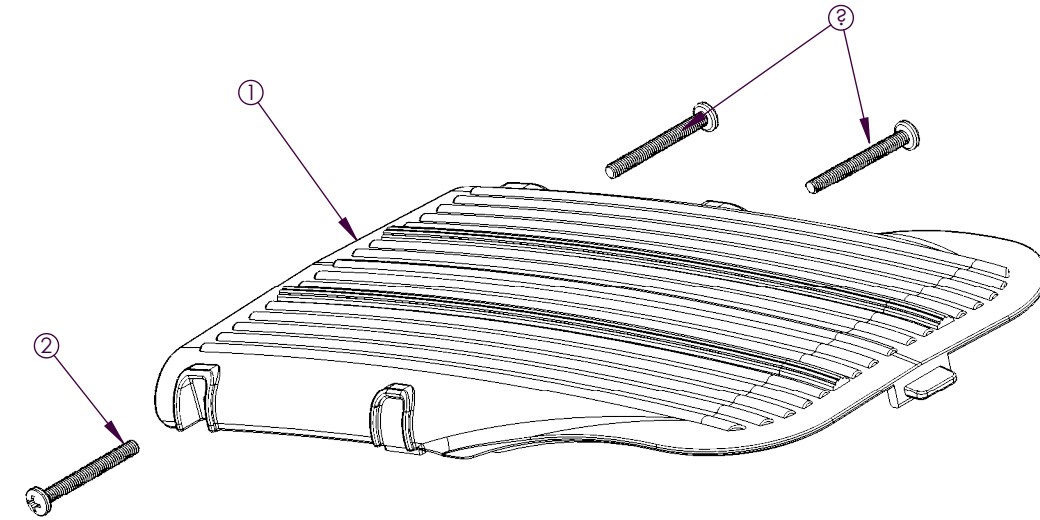
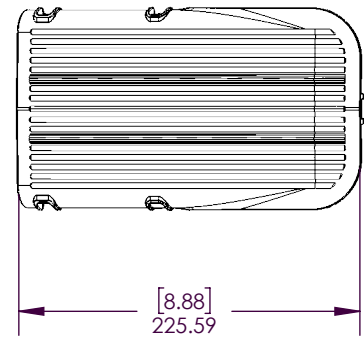
NOTE: ALL WEIGHTS AND DIMENSIONS ARE FOR REFERENCE ONLY

CONFIDENTIAL INFORMATION OF TRUE FITNESS TECHNOLOGY, INC. O'FALLON, MO. IT IS LOANED FOR CONFIDENTIAL USE. SUBJECT TO RETURN ON REQUEST, AND WITH THE MUTUAL UNDERSTANDING THAT IT WILL NOT BE USED IN ANY MANNER DETRIMENTAL TO THE INTERESTS OF TRUE FITNESS TECHNOLOGY, INC.

REV.	MCF#	DESCRIPTION	DATE	BY	APPRVL	TITLE	MATERIAL:	NOTES:	DRAWN BY	DATE	WEIGHT (KG)	DWG. SIZE	TRUE PART #:	REV.
						POWER SUPPLY CABLE	Material <not specified>				0.06Kg	A	7UCS0027	
A	-	ORIGINAL RELEASE	-	-	-	BREAK ALL SHARP CORNERS & EDGES								
						UNLESS OTHERWISE SPECIFIED DIMENSIONS ARE IN MILLIMETERS								
						TOLERANCES UNLESS NOTED:								
						DECIMALS:								
						.X ±.787mm								
						.XX ±.381mm								
						.XXX ±.127mm								
						ANGULAR ±1°								
						HOLES ±.127mm								
						DO NOT SCALE DRAWING								
							<b>TRUE</b> FITNESS TECHNOLOGY, INC. O'FALLON, MO. 63366							

# 7UCS0028

ITEM NO.	TRUE PART #	SRS Part #	DESCRIPTION	QTY.
1	7UCS0337	P09-UCS900-1	TOP ACCESS PLASTIC ABS, CHARCOAL	1
2	7UCS0363		SCREW, M4 X 35L, BLACK	3



NOTE: ALL WEIGHTS AND DIMENSIONS ARE FOR REFERENCE ONLY

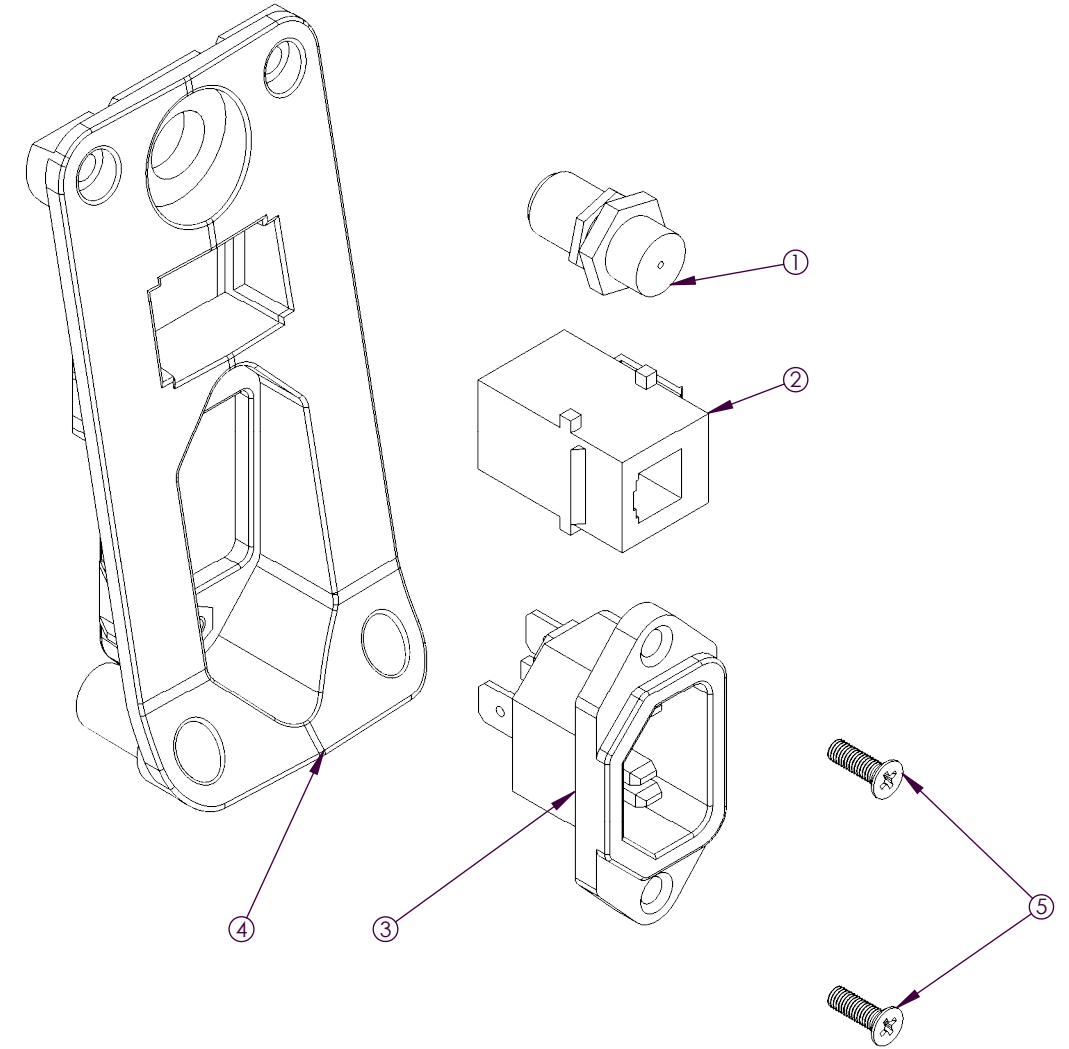
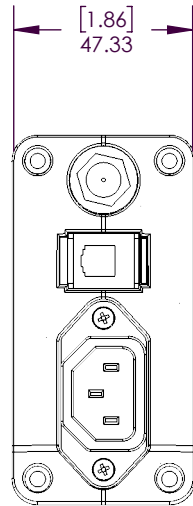
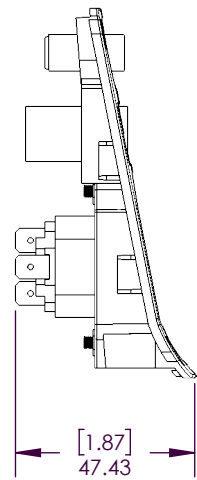
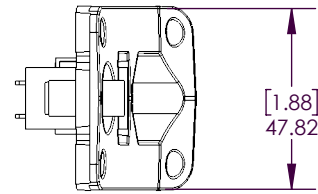
CONFIDENTIAL INFORMATION OF TRUE FITNESS TECHNOLOGY, INC. O'FALLON, MO. IT IS LOANED FOR CONFIDENTIAL USE. SUBJECT TO RETURN ON REQUEST, AND WITH THE MUTUAL UNDERSTANDING THAT IT WILL NOT BE USED IN ANY MANNER DETRIMENTAL TO THE INTERESTS OF TRUE FITNESS TECHNOLOGY, INC.

REV.	MCF#	DESCRIPTION	DATE	BY	APPRVL	TITLE	MATERIAL:	NOTES:	DRAWN BY	DATE	WEIGHT (KG)	DWG. SIZE	TRUE PART #:	REV.
						POWER SUPPLY ACCESS COVER	Material <not specified>				0.13Kg	A	7UCS0028	
A	-	ORIGINAL RELEASE	-	-	-	BREAK ALL SHARP CORNERS & EDGES UNLESS OTHERWISE SPECIFIED DIMENSIONS ARE IN MILLIMETERS TOLERANCES UNLESS NOTED: DECIMALS: .X ±.787mm .XX ±.381mm .XXX ±.127mm ANGULAR ±1° HOLES ±.127mm DO NOT SCALE DRAWING								



# 7UCS0029

ITEM NO.	TRUE PART #	SRS Part #	DESCRIPTION	QTY.
1	7CB8R007	10F12V86_SRS_TOM	CONNECTOR, RG6 COAX	1
2	7CB8R009	SM-RCS800-31-9	ETHERNET CABLE CONNECTOR RJ45	1
3	7CB8R010	SM-RCS800-31-16	POWER CABLE PLUG SS-7B	1
4	7UCS0338	PT09-UCS900-2	POWER PANEL ABS (SILVER)	1
5				2



NOTE: ALL WEIGHTS AND DIMENSIONS ARE FOR REFERENCE ONLY

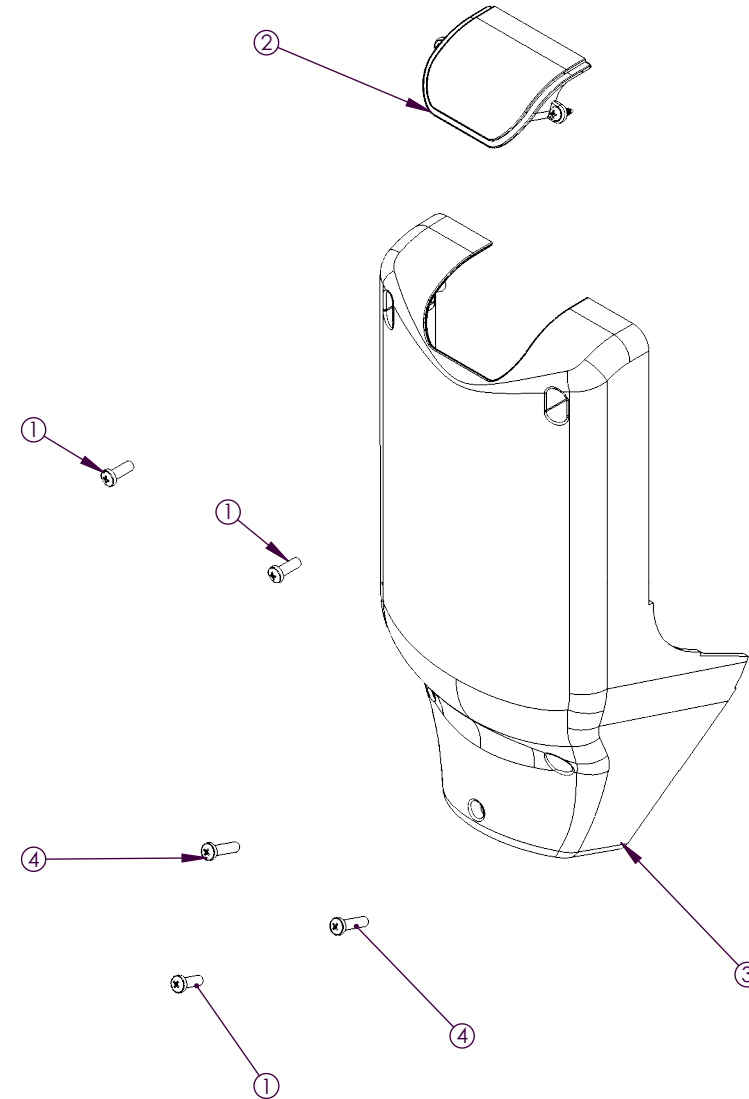
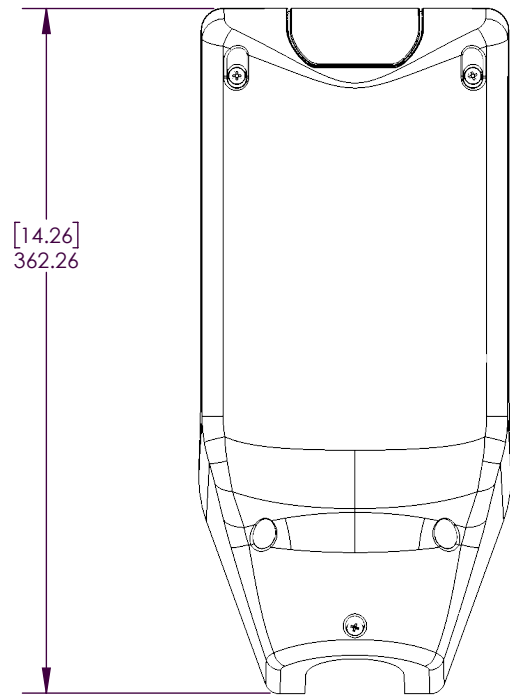
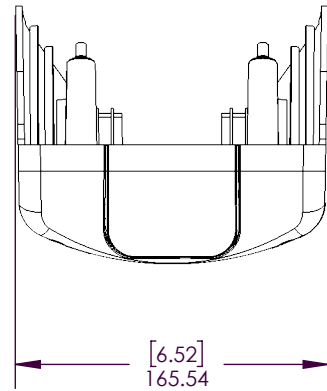
CONFIDENTIAL INFORMATION OF TRUE FITNESS TECHNOLOGY, INC. O'FALLON, MO. IT IS LOANED FOR CONFIDENTIAL USE. SUBJECT TO RETURN ON REQUEST, AND WITH THE MUTUAL UNDERSTANDING THAT IT WILL NOT BE USED IN ANY MANNER DETRIMENTAL TO THE INTERESTS OF TRUE FITNESS TECHNOLOGY, INC.

REV.	MCF#	DESCRIPTION	DATE	BY	APPRVL	TITLE	MATERIAL:	NOTES:	DRAWN BY	DATE	WEIGHT (KG)	DWG. SIZE	TRUE PART #:	REV.
						POWER SUPPLY INLET	Material <not specified>				0.04 Kg	A	7UCS0029	
A	-	ORIGINAL RELEASE	-	-	-	BREAK ALL SHARP CORNERS & EDGES								
						UNLESS OTHERWISE SPECIFIED DIMENSIONS ARE IN MILLIMETERS								
						TOLERANCES UNLESS NOTED:								
						DECIMALS:								
						.X ±.787mm								
						.XX ±.381mm								
						.XXX ±.127mm								
						ANGULAR ±1°								
						HOLES ±.127mm								
						DO NOT SCALE DRAWING								



# 7UCS0031

ITEM NO.	TRUE PART #	SRS Part #	DESCRIPTION	QTY.
1	7CS80131	S0T-0515DB	SCREW M5X15L (BLACK)	3
2	7UCS0032		REAR CONSOLE COVER UPPER PLATE	1
3	TL0014	P12-UCS900-B	REAR CONSOLE COVER	1
4	TL0045	S0T-0520DB	SCREW M5*20L (BLACK)	2



NOTE: ALL WEIGHTS AND DIMENSIONS ARE FOR REFERENCE ONLY

CONFIDENTIAL INFORMATION OF TRUE FITNESS TECHNOLOGY, INC. O'FALLON, MO. IT IS LOANED FOR CONFIDENTIAL USE. SUBJECT TO RETURN ON REQUEST, AND WITH THE MUTUAL UNDERSTANDING THAT IT WILL NOT BE USED IN ANY MANNER DETRIMENTAL TO THE INTERESTS OF TRUE FITNESS TECHNOLOGY, INC.

REV.	MCF#	DESCRIPTION	DATE	BY	APPRVL	TITLE	MATERIAL:	NOTES:	DRAWN BY	DATE	WEIGHT (KG)	DWG. SIZE	TRUE PART #:	REV.
A	-	ORIGINAL RELEASE	-	-	-	REAR CONSOLE COVER ASSEMBLY	Material <not specified>				0.42 Kg	A	7UCS0031	
						BREAK ALL SHARP CORNERS & EDGES UNLESS OTHERWISE SPECIFIED DIMENSIONS ARE IN MILLIMETERS TOLERANCES UNLESS NOTED: DECIMALS: .X ±.787mm .XX ±.381mm .XXX ±.127mm ANGULAR ±1° HOLES ±.127mm DO NOT SCALE DRAWING								

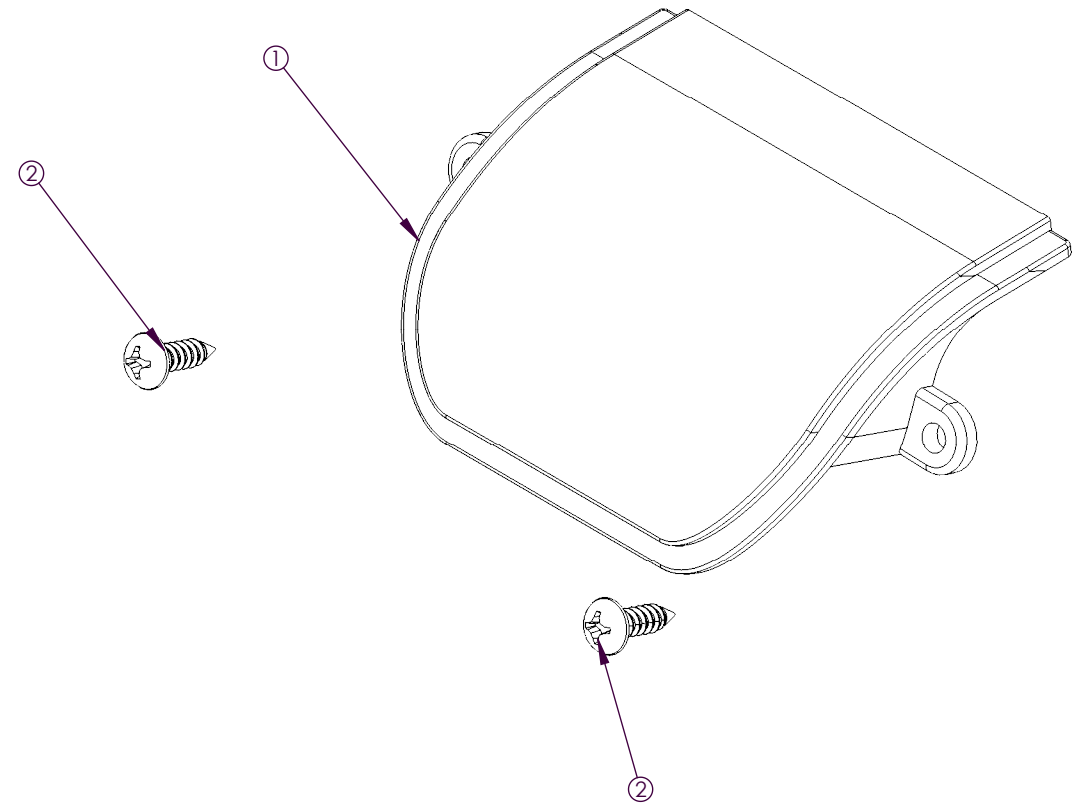
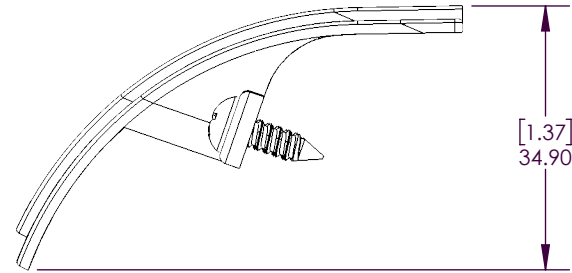
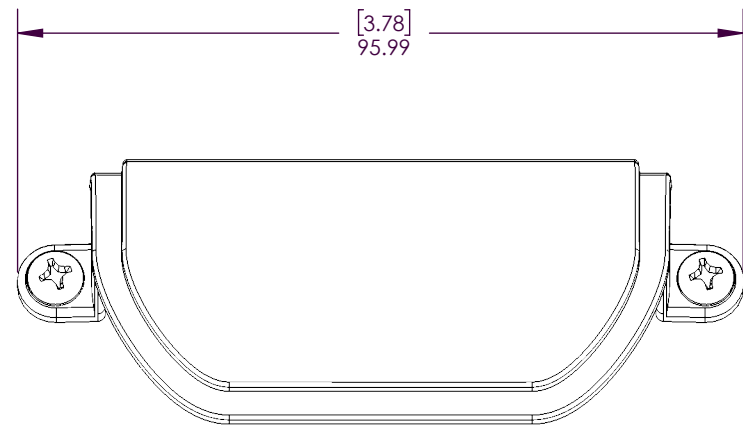
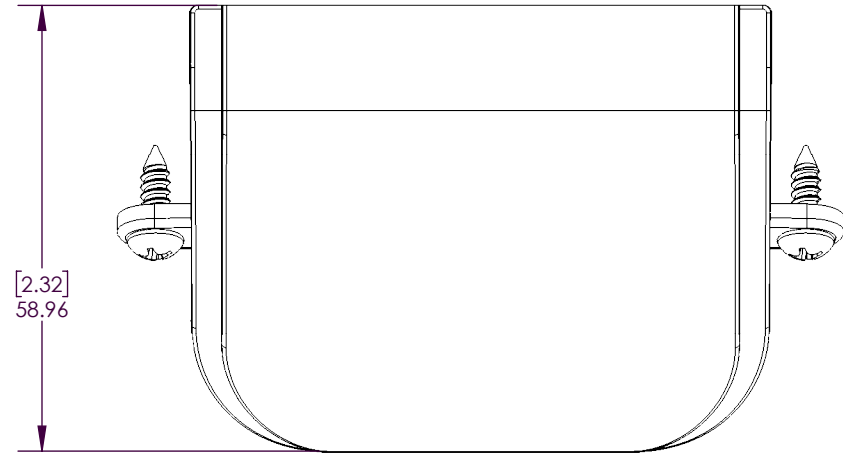


DWG. SIZE  
A

TRUE PART #:  
7UCS0031  
REV.

# 7UCS0032

ITEM NO.	TRUE PART #	SRS Part #	DESCRIPTION	QTY.
1	TL0030	P12-UCS900-T	REAR CONSOLE COVER UPPER PLATE	1
2	TL0087		PRHPS M4x12	2



NOTE: ALL WEIGHTS AND DIMENSIONS ARE FOR REFERENCE ONLY

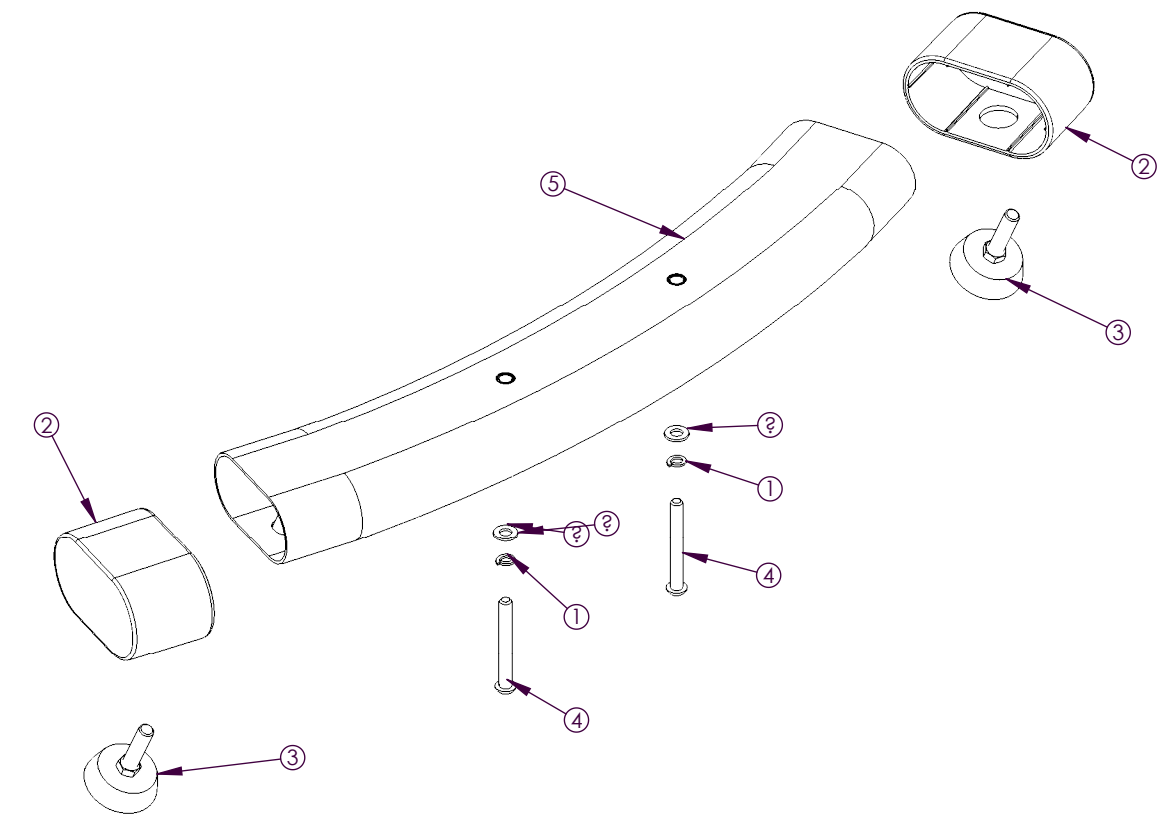
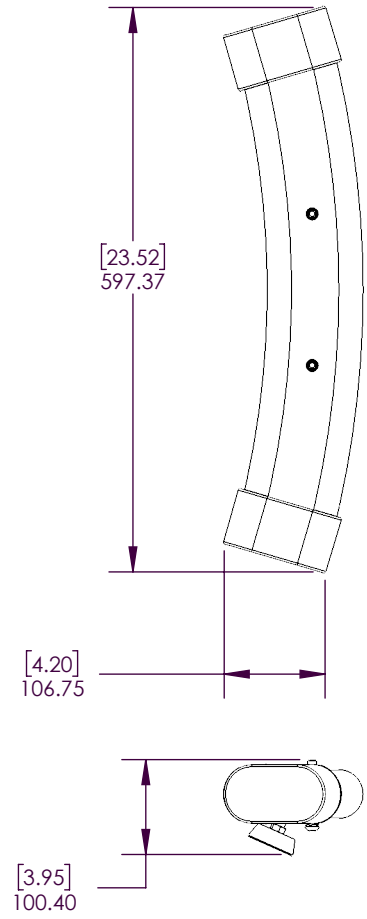
CONFIDENTIAL INFORMATION OF TRUE FITNESS TECHNOLOGY, INC. O'FALLON, MO. IT IS LOANED FOR CONFIDENTIAL USE. SUBJECT TO RETURN ON REQUEST, AND WITH THE MUTUAL UNDERSTANDING THAT IT WILL NOT BE USED IN ANY MANNER DETRIMENTAL TO THE INTERESTS OF TRUE FITNESS TECHNOLOGY, INC.

REV.	MCF#	DESCRIPTION	DATE	BY	APPRVL	TITLE	MATERIAL:	NOTES:	DRAWN BY	DATE	WEIGHT (KG)	DWG. SIZE	TRUE PART #:	REV.
						REAR CONSOLE COVER UPPER PLATE	Material <not specified>				0.02Kg	A	7UCS0032	
A	-	ORIGINAL RELEASE	-	-	-	BREAK ALL SHARP CORNERS & EDGES UNLESS OTHERWISE SPECIFIED DIMENSIONS ARE IN MILLIMETERS TOLERANCES UNLESS NOTED: DECIMALS: .X ±.787mm .XX ±.381mm .XXX ±.127mm ANGULAR ±1° HOLES ±.127mm DO NOT SCALE DRAWING								



# 7UCS0033

ITEM NO.	TRUE PART #	SRS Part #	DESCRIPTION	QTY.
1	7CS80156	SSW-08ED	SPRING WASHER M8 (E. COATING)	2
2	7UCS0034	P03-UCS900-R	REAR STABILIZER END CAP	2
3	7UCS0036		LEVELING FOOT	2
4	7UCS0309	S1A-0870ED-23	SCREW M8X70L (E. COATING)	2
5	7UCS0335	PT-UCS900-06R	REAR STABILIZER	1
6	7CBW0015	SW-0816B-12	WASHER, M8X16X1.2T, BLACK	2



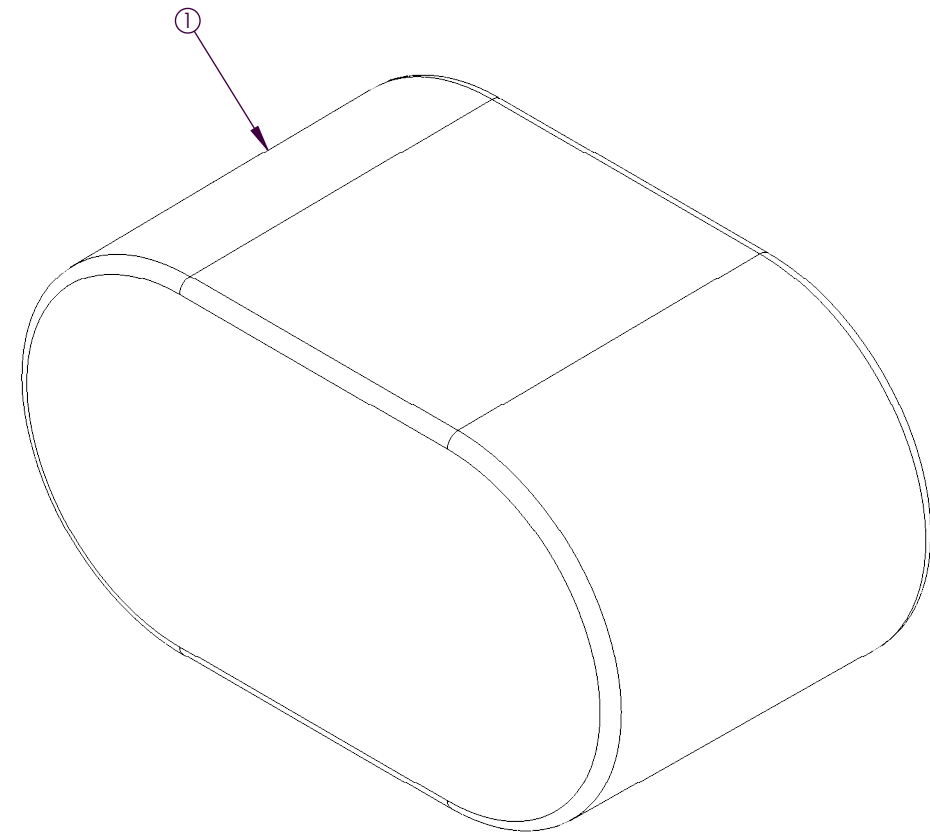
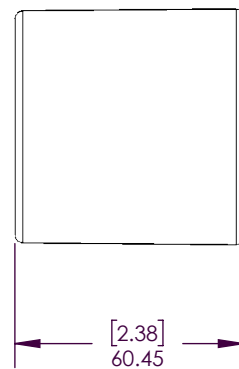
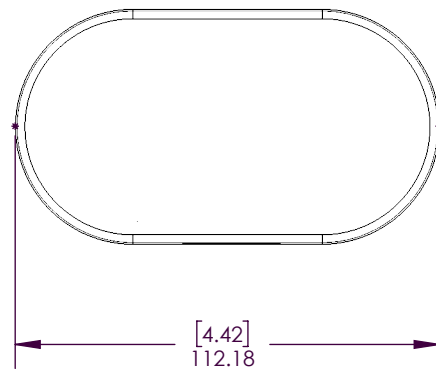
NOTE: ALL WEIGHTS AND DIMENSIONS ARE FOR REFERENCE ONLY

CONFIDENTIAL INFORMATION OF TRUE FITNESS TECHNOLOGY, INC. O'FALLON, MO. IT IS LOANED FOR CONFIDENTIAL USE. SUBJECT TO RETURN ON REQUEST, AND WITH THE MUTUAL UNDERSTANDING THAT IT WILL NOT BE USED IN ANY MANNER DETRIMENTAL TO THE INTERESTS OF TRUE FITNESS TECHNOLOGY, INC.

REV.	MCF#	DESCRIPTION	DATE	BY	APPRVL	TITLE	MATERIAL:	NOTES:	DRAWN BY	DATE	WEIGHT (KG)	DWG. SIZE	TRUE PART #:	REV.
A	-	ORIGINAL RELEASE	-	-	-	REAR STABILIZER ASSEMBLY	Material <not specified>				3.13Kg	A	7UCS0033	
						BREAK ALL SHARP CORNERS & EDGES								
						UNLESS OTHERWISE SPECIFIED DIMENSIONS ARE IN MILLIMETERS								
						TOLERANCES UNLESS NOTED:								
						DECIMALS:								
						.X ±.787mm								
						.XX ±.381mm								
						.XXX ±.127mm								
						ANGULAR ±1°								
						HOLES ±.127mm								
						DO NOT SCALE DRAWING								

# 7UCS0034

ITEM NO.	TRUE PART #	SRS Part #	DESCRIPTION	QTY.
1	7UCS0034	P03-UCS900-R	REAR STABILIZER END CAP	1



NOTE: ALL WEIGHTS AND DIMENSIONS ARE FOR REFERENCE ONLY

CONFIDENTIAL INFORMATION OF TRUE FITNESS TECHNOLOGY, INC. O'FALLON, MO. IT IS LOANED FOR CONFIDENTIAL USE. SUBJECT TO RETURN ON REQUEST, AND WITH THE MUTUAL UNDERSTANDING THAT IT WILL NOT BE USED IN ANY MANNER DETRIMENTAL TO THE INTERESTS OF TRUE FITNESS TECHNOLOGY, INC.

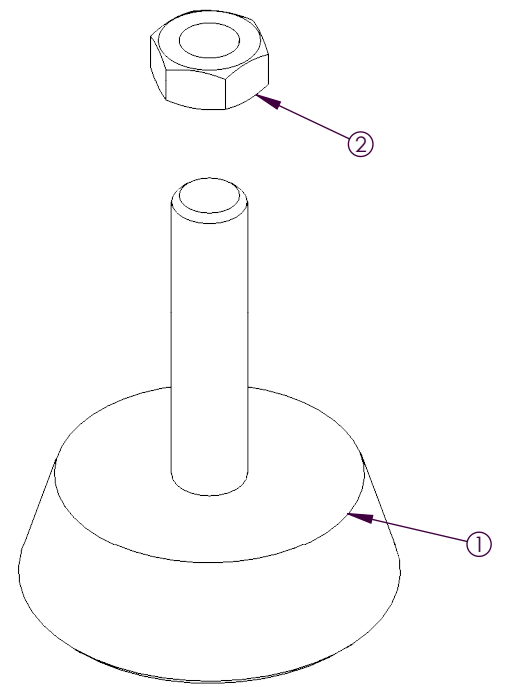
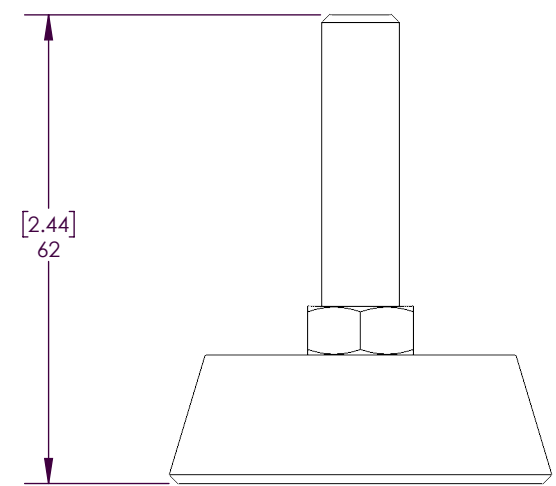
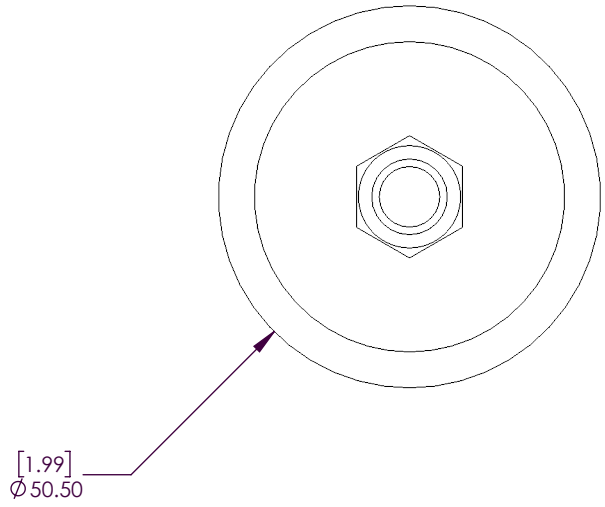
REV.	MCF#	DESCRIPTION	DATE	BY	APPRVL	TITLE	MATERIAL:	NOTES:	DRAWN BY	DATE	WEIGHT (KG)	DWG. SIZE	TRUE PART #:	REV.
						REAR STABILIZER END CAP	ABS PC				0.1Kg	A	7UCS0034	
A	-	ORIGINAL RELEASE	-	-	-									
						BREAK ALL SHARP CORNERS & EDGES UNLESS OTHERWISE SPECIFIED DIMENSIONS ARE IN MILLIMETERS TOLERANCES UNLESS NOTED: DECIMALS: .X ±.787mm .XX ±.381mm .XXX ±.127mm ANGULAR ±1° HOLES ±.127mm DO NOT SCALE DRAWING								





# 7UCS0036

ITEM NO.	TRUE PART #	SRS Part #	DESCRIPTION	QTY.
1	7CBW0041	P13-FR200	ADJUST LEVER KNOB 3/8"-16*35L	1
2	7UCS0308	SSN-38RB	HEXAGON NUT, 3/8", ZINC PLATED, BLACK COATING	1



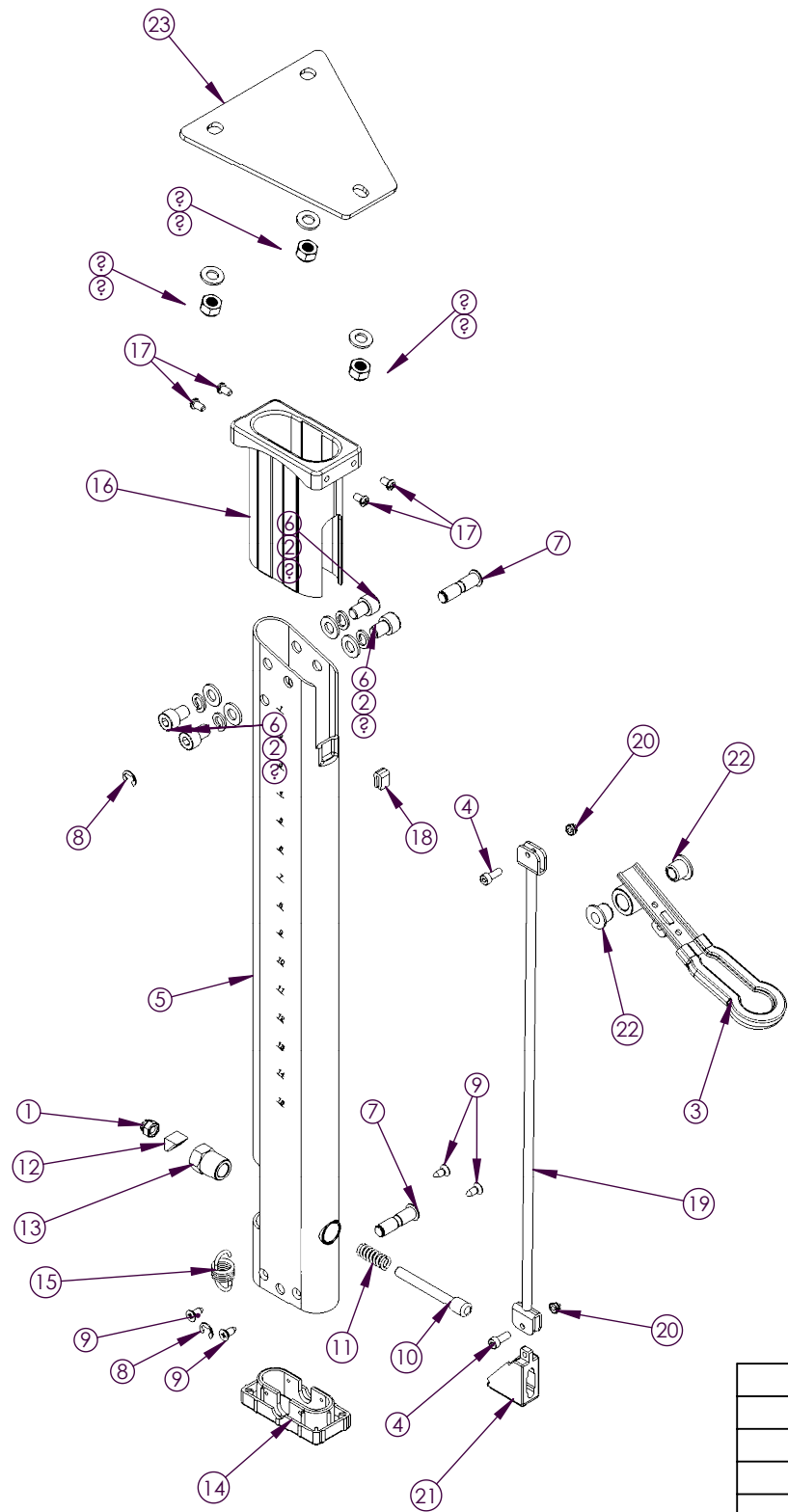
NOTE: ALL WEIGHTS AND DIMENSIONS ARE FOR REFERENCE ONLY

CONFIDENTIAL INFORMATION OF TRUE FITNESS TECHNOLOGY, INC. O'FALLON, MO. IT IS LOANED FOR CONFIDENTIAL USE. SUBJECT TO RETURN ON REQUEST, AND WITH THE MUTUAL UNDERSTANDING THAT IT WILL NOT BE USED IN ANY MANNER DETRIMENTAL TO THE INTERESTS OF TRUE FITNESS TECHNOLOGY, INC.

REV.	MCF#	DESCRIPTION	DATE	BY	APPRVL	TITLE	MATERIAL:	NOTES:	DRAWN BY	DATE	WEIGHT (KG)	DWG. SIZE	TRUE PART #:	REV.
A	-	ORIGINAL RELEASE	-	-	-	LEVELING FOOT	Material <not specified>				0.25Kg	A	7UCS0036	
						BREAK ALL SHARP CORNERS & EDGES UNLESS OTHERWISE SPECIFIED DIMENSIONS ARE IN MILLIMETERS TOLERANCES UNLESS NOTED: DECIMALS: .X ±.787mm .XX ±.381mm .XXX ±.127mm ANGULAR ±1° HOLES ±.127mm DO NOT SCALE DRAWING								

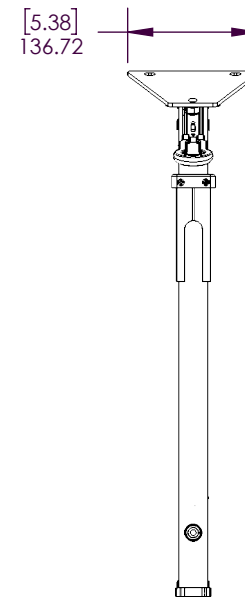
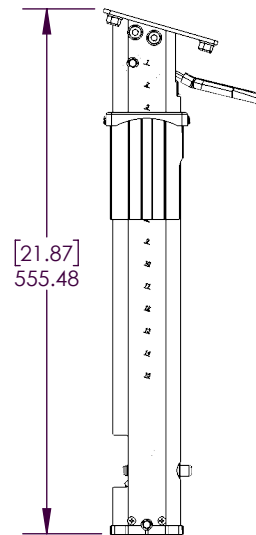
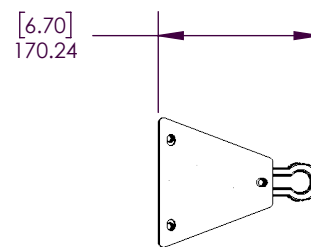


# 7UCS0037



NOTE: ALL WEIGHTS AND DIMENSIONS ARE FOR REFERENCE ONLY

CONFIDENTIAL INFORMATION OF TRUE FITNESS TECHNOLOGY, INC. O'FALLON, MO. IT IS LOANED FOR CONFIDENTIAL USE. SUBJECT TO RETURN ON REQUEST, AND WITH THE MUTUAL UNDERSTANDING THAT IT WILL NOT BE USED IN ANY MANNER DETRIMENTAL TO THE INTERESTS OF TRUE FITNESS TECHNOLOGY, INC.

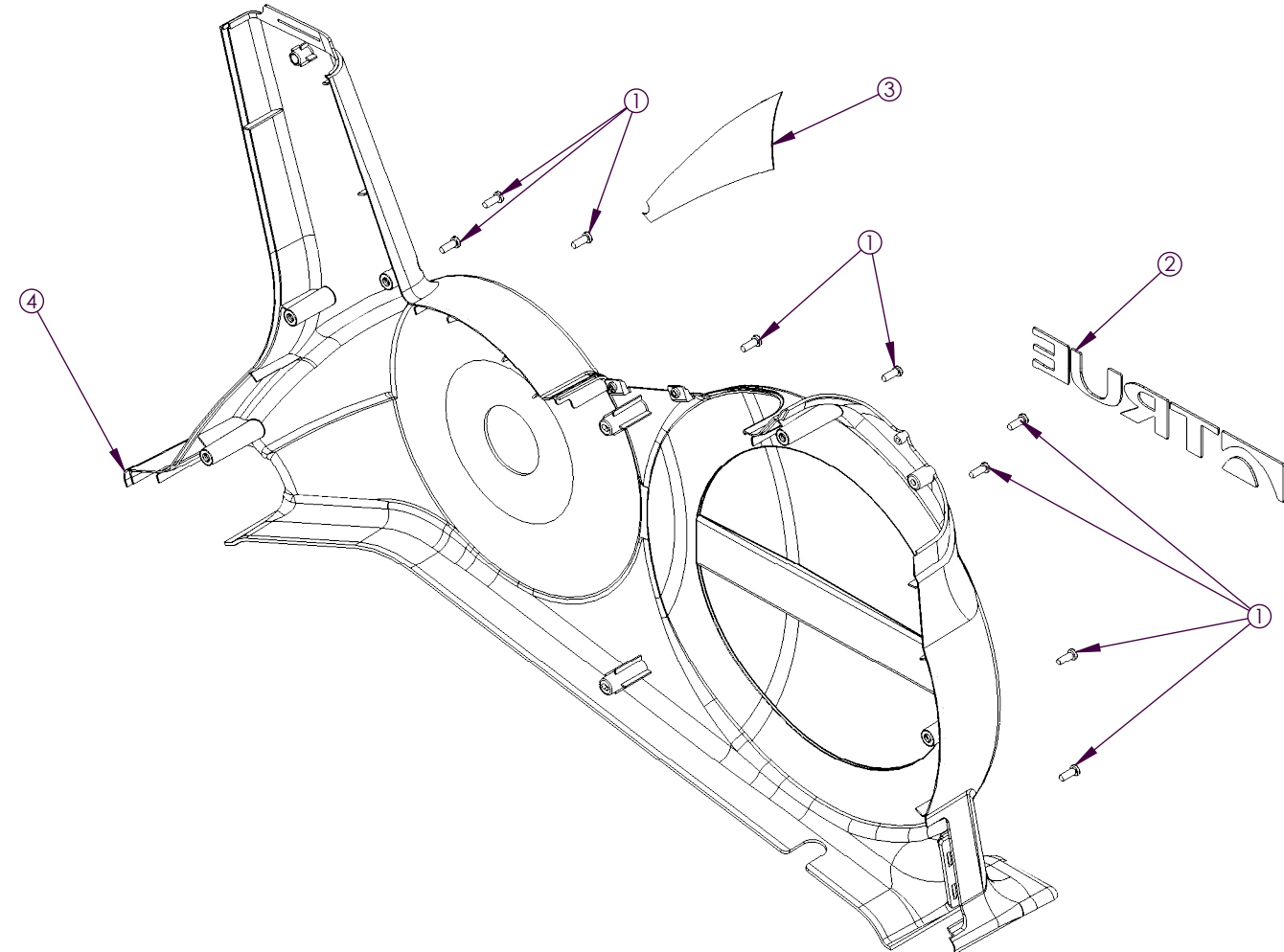
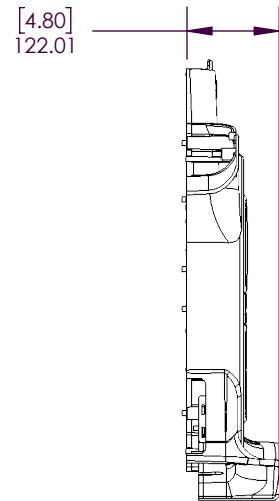
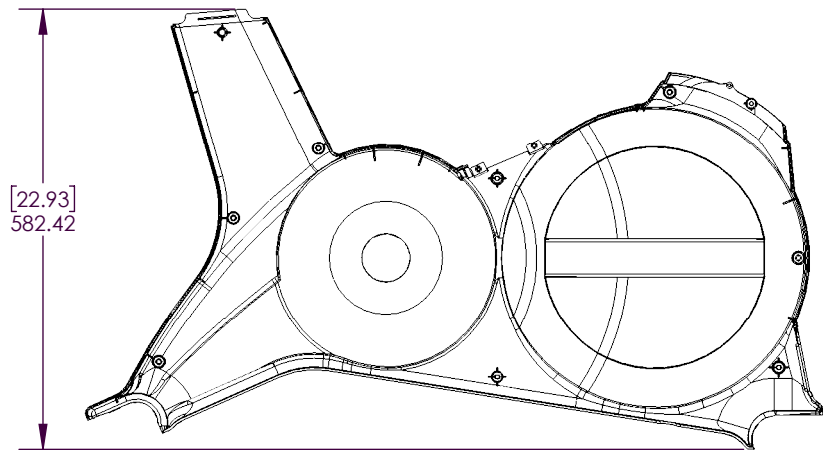
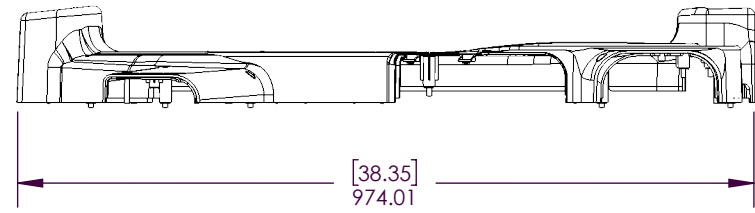


ITEM NO.	TRUE PART #	SRS Part #	DESCRIPTION	QTY.
1	7CBW0062	SNN-06B	NYLOCK NUT M6 (BLACK)	1
2	7CS80156	SSW-08ED	SPRING WASHER M8 (E. COATING)	4
3	7UCS0046	ASS-UCS900-08A	SEAT LEVER PLASTIC ABS (TRUE BLUE)	1
4	7UCS0319	SA5-0412B	SOCKET HD CAP SCREW M5*15L (BLACK)	2
5	7UCS0342	PT-UCS900-04AL	SEAT POST	1
6	7UCS0343	SA5-0815ED	SCREW M8*15L (ED)	4
7	7UCS0344	TW28-UCS900-4	LOCATING PIN 8*34L (\$15C-NICKEL)	2
8	7UCS0345	S30-C08B	CLIP C08 (BLACK)	2
9	7UCS0346	S1TP-03508B	SCREW M3.5*8L (BLACK)	4
10	7UCS0347	TW28-UCS900-2	LOCKING PIN 6*10-68L (\$45C)	1
11	7UCS0348	PS-UCS900-3	SPRING 1.0*22L (6 RINGS)	1
12	7UCS0349	PS28-UCS900-3	SMALL SLIDE WEDGE S25C	1
13	7UCS0350	TW07-UCS900-2	SEAT POST BUSHING HUB M16*24.5L (\$15C-NICKEL)	1
14	7UCS0351	P16-UCS900-1	SEAT TUBE BOTTOM STOPPER PA (BLACK)	1
15	7UCS0352	PS-UCS900-1	TENSION SPRING 1.6*13*32.1L (6 RING)	1
16	7UCS0353	P05-UCS900-1	SEAT POST SLEEVE PE, BLACK	1
17	7UCS0354	S0T-0408B	SCREW M4*8L (BLACK)	4
18	7UCS0355	P2529-UCS900-1	RUBBER PAD FOR SEAT POST TUBE NBR (BLACK)	1
19	7UCS0356	CP-UCS900-14	CONNECTION ROD (NICKEL)	1
20	7UCS0357	SNN-04B	NYLOCK NUT M4 (BLACK)	2
21	7UCS0358	PS28-UCS900-2	BIG SLIDE WEDGE S25C	1
22	7UCS0359	P112-18115	PLASTIC BUSHING NYLON (BLACK)	2
23	7UCS0360	PT-UCS900-07A	SADDLE POST	1
24	7CBW0015	SW-0816B-12	WASHER, M8X16X1.2T, BLACK	7
25	7UCS0367	SNN-08B	NYLOCK NUT M8, BLACK	3

REV.	MCF#	DESCRIPTION	DATE	BY	APPRVL	TITLE	MATERIAL:	NOTES:	DRAWN BY	DATE	WEIGHT (KG)	DWG. SIZE	TRUE PART #:	REV.
A	-	ORIGINAL RELEASE	-	-	-	SEAT POST/SEAT LEVER ASSEMBLY	Material <not specified>				1.67Kg	A	7UCS0037	
						BREAK ALL SHARP CORNERS & EDGES								
						UNLESS OTHERWISE SPECIFIED DIMENSIONS ARE IN MILLIMETERS								
						TOLERANCES UNLESS NOTED:								
						DECIMALS:								
						.X ±.787mm								
						.XX ±.381mm								
						.XXX ±.127mm								
						ANGULAR ±1°								
						HOLES ±.127mm								
						DO NOT SCALE DRAWING								
						<b>TRUE</b> FITNESS TECHNOLOGY, INC. O'FALLON, MO. 63366								

# 7UCS0039

ITEM NO.	TRUE PART #	SRS Part #	DESCRIPTION	QTY.
1	7CS80131	S0T-0515DB	SCREW M5X15L (BLACK)	9
2	7CX0122	AB01-PS900-2-2	TRUE LOGO DECAL (BLACK)	1
3	7UCS0041		SILVER STRIPE SHROUD DECAL LEFT	1
4	7UCS0361	PT09-UCS900-L	FRONT SHROUD (LEFT)	1
5	7RC0013		400 MODEL DECAL (RC/UC/XC)	1



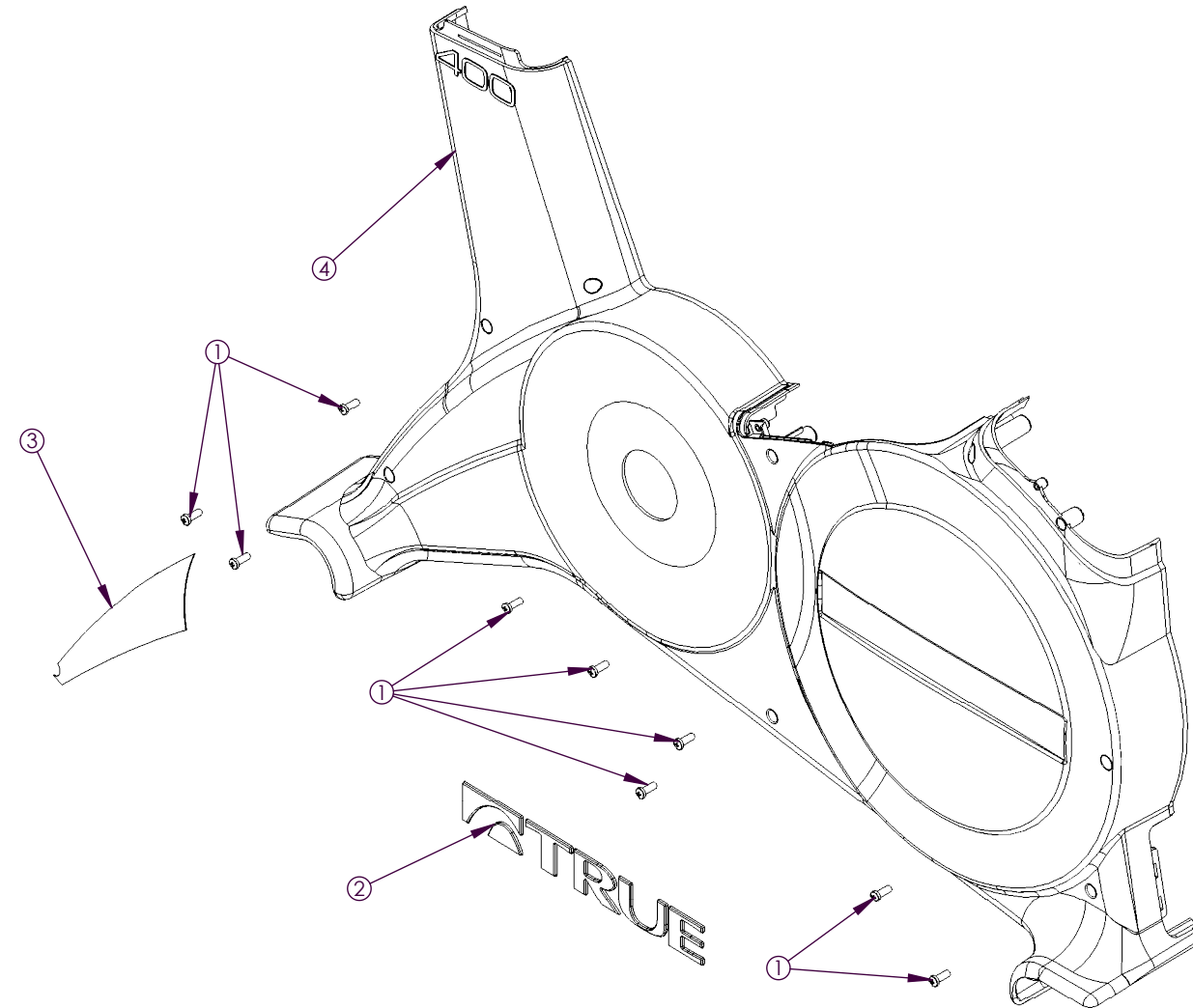
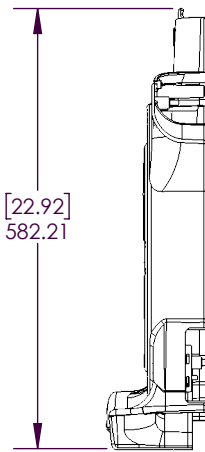
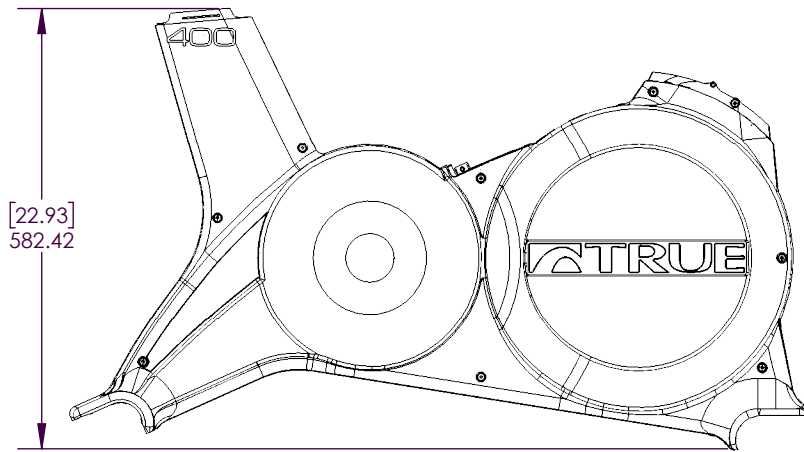
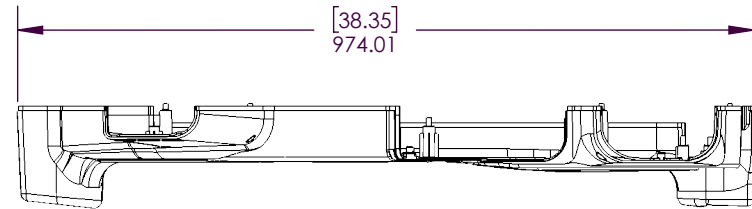
NOTE: ALL WEIGHTS AND DIMENSIONS ARE FOR REFERENCE ONLY

CONFIDENTIAL INFORMATION OF TRUE FITNESS TECHNOLOGY, INC. O'FALLON, MO. IT IS LOANED FOR CONFIDENTIAL USE. SUBJECT TO RETURN ON REQUEST, AND WITH THE MUTUAL UNDERSTANDING THAT IT WILL NOT BE USED IN ANY MANNER DETRIMENTAL TO THE INTERESTS OF TRUE FITNESS TECHNOLOGY, INC.

REV.	MCF#	DESCRIPTION	DATE	BY	APPRVL	TITLE	MATERIAL:	NOTES:	DRAWN BY	DATE	WEIGHT (KG)	DWG. SIZE	TRUE PART #:	REV.
A	-	ORIGINAL RELEASE	-	-	-	<b>SHROUD ASSEMBLY (L)</b>	Material <not specified>				1.48Kg	A	7UCS0039	
						BREAK ALL SHARP CORNERS & EDGES								
						UNLESS OTHERWISE SPECIFIED DIMENSIONS ARE IN MILLIMETERS								
						TOLERANCES UNLESS NOTED:								
						DECIMALS:								
						.X ±.787mm								
						.XX ±.381mm								
						.XXX ±.127mm								
						ANGULAR ±1°								
						HOLES ±.127mm								
						DO NOT SCALE DRAWING								
							<b>TRUE</b> FITNESS TECHNOLOGY, INC. O'FALLON, MO. 63366							

# 7UCS0040

ITEM NO.	TRUE PART #	SRS Part #	DESCRIPTION	QTY.
1	7CS80131	S0T-0515DB	SCREW M5X15L (BLACK)	9
2	7CX0122	AB01-PS900-2-2	TRUE LOGO DECAL (BLACK)	1
3	7UCS0042		SILVER STRIPE SHROUD DECAL RIGHT	1
4	7UCS0362	PT09-UCS900-R	FRONT SHROUD (RIGHT) ABS (SILVER)	1
5	7RC0013		400 MODEL DECAL (RC/UC/XC)	1



NOTE: ALL WEIGHTS AND DIMENSIONS ARE FOR REFERENCE ONLY

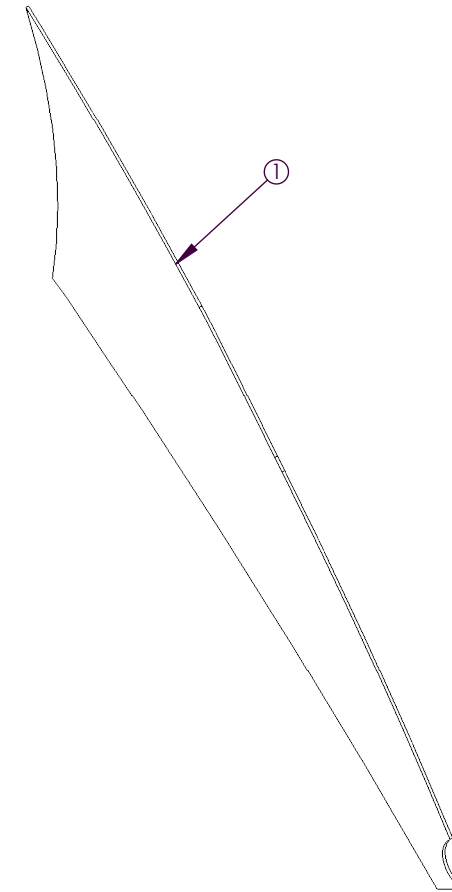
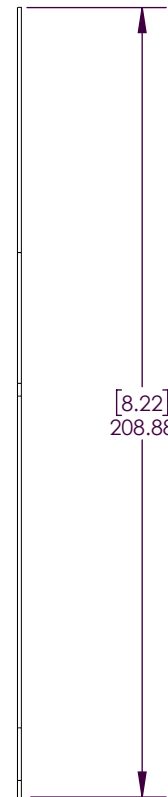
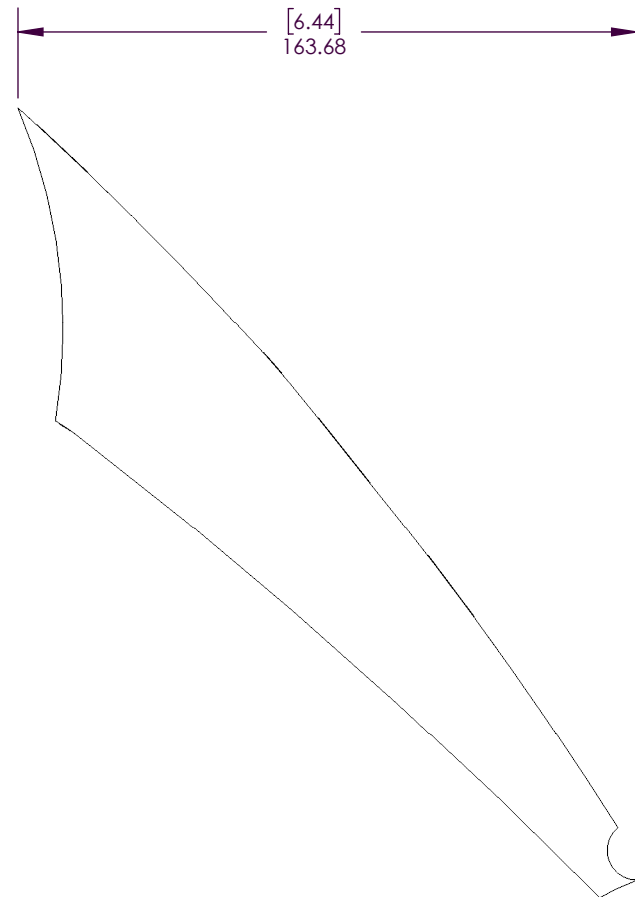
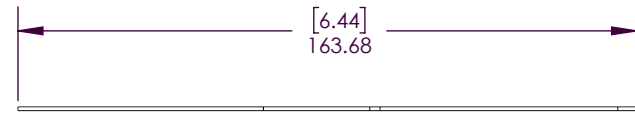
CONFIDENTIAL INFORMATION OF TRUE FITNESS TECHNOLOGY, INC. O'FALLON, MO. IT IS LOANED FOR CONFIDENTIAL USE. SUBJECT TO RETURN ON REQUEST, AND WITH THE MUTUAL UNDERSTANDING THAT IT WILL NOT BE USED IN ANY MANNER DETRIMENTAL TO THE INTERESTS OF TRUE FITNESS TECHNOLOGY, INC.

REV.	MCF#	DESCRIPTION	DATE	BY	APPRVL	TITLE	MATERIAL:	NOTES:	DRAWN BY	DATE	WEIGHT (KG)	DWG. SIZE	TRUE PART #:	REV.
						SHROUD ASSEMBLY (R)	Material <not specified>				1.50Kg	A	7UCS0040	
A	-	ORIGINAL RELEASE	-	-	-	BREAK ALL SHARP CORNERS & EDGES								
						UNLESS OTHERWISE SPECIFIED DIMENSIONS ARE IN MILLIMETERS								
						TOLERANCES UNLESS NOTED:								
						DECIMALS:								
						.X ±.787mm								
						.XX ±.381mm								
						.XXX ±.127mm								
						ANGULAR ±1°								
						HOLES ±.127mm								
						DO NOT SCALE DRAWING								



# 7UCS0041

ITEM NO.	TRUE PART #	SRS Part #	DESCRIPTION	QTY.
1	7UCS0041		SILVER STRIPE SHROUD DECAL LEFT	1



NOTE: ALL WEIGHTS AND DIMENSIONS ARE FOR REFERENCE ONLY

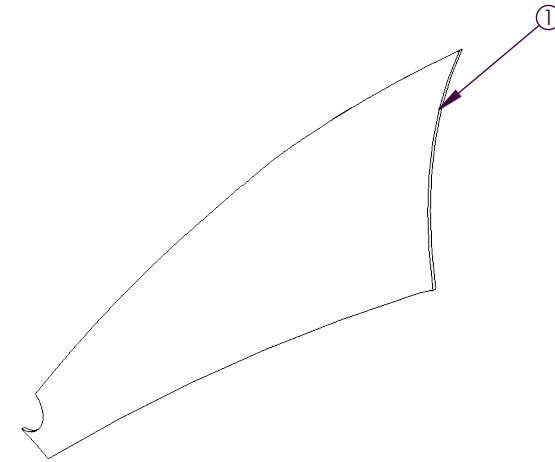
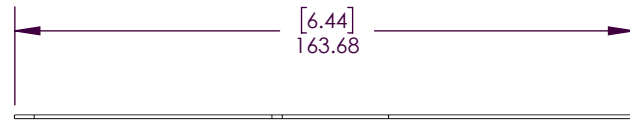
CONFIDENTIAL INFORMATION OF TRUE FITNESS TECHNOLOGY, INC. O'FALLON, MO. IT IS LOANED FOR CONFIDENTIAL USE. SUBJECT TO RETURN ON REQUEST, AND WITH THE MUTUAL UNDERSTANDING THAT IT WILL NOT BE USED IN ANY MANNER DETRIMENTAL TO THE INTERESTS OF TRUE FITNESS TECHNOLOGY, INC.

REV.	MCF#	DESCRIPTION	DATE	BY	APPRVL	TITLE	MATERIAL:	NOTES:	DRAWN BY	DATE	WEIGHT (KG)	DWG. SIZE	TRUE PART #:	REV.
						<b>SILVER STRIPE SHROUD DECAL LEFT</b>	PVC 0.007 Plasticized				0.01Kg	A	7UCS0041	
A	-	ORIGINAL RELEASE	-	-	-	BREAK ALL SHARP CORNERS & EDGES UNLESS OTHERWISE SPECIFIED DIMENSIONS ARE IN MILLIMETERS TOLERANCES UNLESS NOTED: DECIMALS: .X ±.787mm .XX ±.381mm .XXX ±.127mm ANGULAR ±1° HOLES ±.127mm DO NOT SCALE DRAWING								



# 7UCS0042

ITEM NO.	TRUE PART #	SRS Part #	DESCRIPTION	QTY.
1	7UCS0042		SILVER STRIPE SHROUD DECAL RIGHT	1



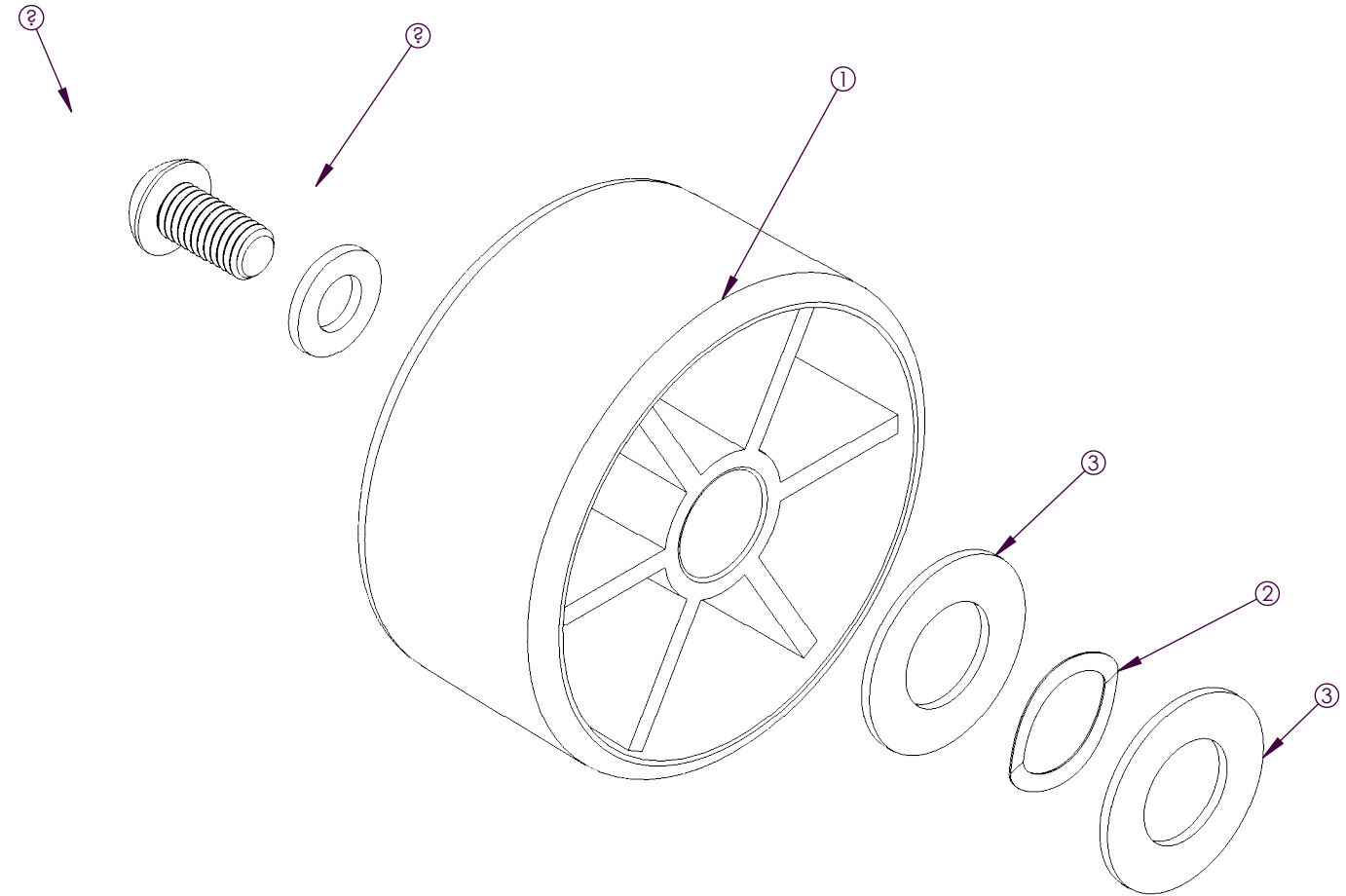
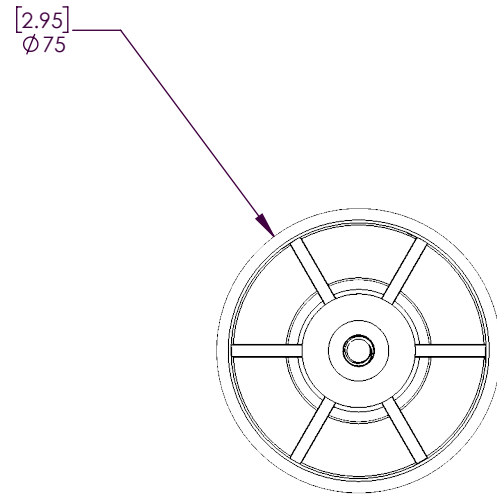
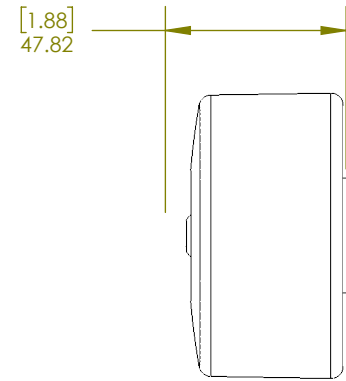
NOTE: ALL WEIGHTS AND DIMENSIONS ARE FOR REFERENCE ONLY

CONFIDENTIAL INFORMATION OF TRUE FITNESS TECHNOLOGY, INC. O'FALLON, MO. IT IS LOANED FOR CONFIDENTIAL USE. SUBJECT TO RETURN ON REQUEST, AND WITH THE MUTUAL UNDERSTANDING THAT IT WILL NOT BE USED IN ANY MANNER DETRIMENTAL TO THE INTERESTS OF TRUE FITNESS TECHNOLOGY, INC.

REV.	MCF#	DESCRIPTION	DATE	BY	APPRVL	TITLE	MATERIAL:	NOTES:	DRAWN BY	DATE	WEIGHT (KG)	DWG. SIZE	TRUE PART #:	REV.
						SILVER STRIPE SHROUD DECAL RIGHT	PVC 0.007 Plasticized				0.01Kg	A	7UCS0042	
A	-	ORIGINAL RELEASE	-	-	-	BREAK ALL SHARP CORNERS & EDGES								
						UNLESS OTHERWISE SPECIFIED DIMENSIONS ARE IN MILLIMETERS								
						TOLERANCES UNLESS NOTED:								
						DECIMALS:								
						.X ±.787mm								
						.XX ±.381mm								
						.XXX ±.127mm								
						ANGULAR ±1°								
						HOLES ±.127mm								
						DO NOT SCALE DRAWING								
							<b>TRUE</b> FITNESS TECHNOLOGY, INC. O'FALLON, MO. 63366							

# 7UCS0043

ITEM NO.	TRUE PART #	SRS Part #	DESCRIPTION	QTY.
1		P47-TU7-B	TRANSPORT WHEEL 75X40L (NYLON 6-BLACK)	1
2	7CBW0033	32476	WAVE WASHER DIA. 16.5MM	1
3	7UCS0307	SW-1630RB-15	WASHER M16X30X1.5T	2
4	7CBW0015	SW-0816B-12	WASHER, M8X16X1.2T, BLACK	1
5	7CS80112	S1A-0815ED-L	SCREW, M8X15L, ED, BLUE PATCH	1



NOTE: ALL WEIGHTS AND DIMENSIONS ARE FOR REFERENCE ONLY

CONFIDENTIAL INFORMATION OF TRUE FITNESS TECHNOLOGY, INC. O'FALLON, MO. IT IS LOANED FOR CONFIDENTIAL USE. SUBJECT TO RETURN ON REQUEST, AND WITH THE MUTUAL UNDERSTANDING THAT IT WILL NOT BE USED IN ANY MANNER DETRIMENTAL TO THE INTERESTS OF TRUE FITNESS TECHNOLOGY, INC.

REV.	MCF#	DESCRIPTION	DATE	BY	APPRVL	TITLE	MATERIAL:	NOTES:	DRAWN BY	DATE	WEIGHT (KG)	DWG. SIZE	TRUE PART #:	REV.
A	-	ORIGINAL RELEASE	-	-	-	TRANSPORT WHEEL	Material <not specified>				0.09Kg	A	7UCS0043	
						BREAK ALL SHARP CORNERS & EDGES UNLESS OTHERWISE SPECIFIED DIMENSIONS ARE IN MILLIMETERS TOLERANCES UNLESS NOTED: DECIMALS: .X ±.787mm .XX ±.381mm .XXX ±.127mm ANGULAR ±1° HOLES ±.127mm DO NOT SCALE DRAWING								
						<b>TRUE</b> FITNESS TECHNOLOGY, INC. O'FALLON, MO. 63366								

# HARDWARE PACK

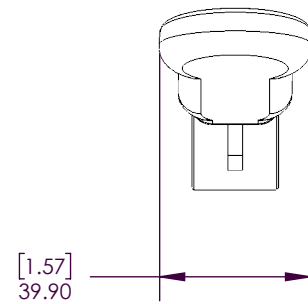
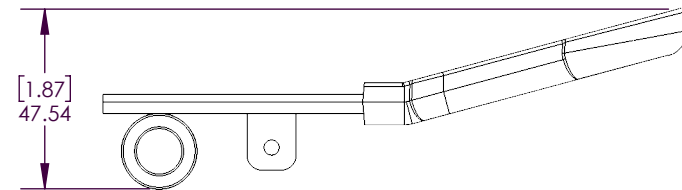
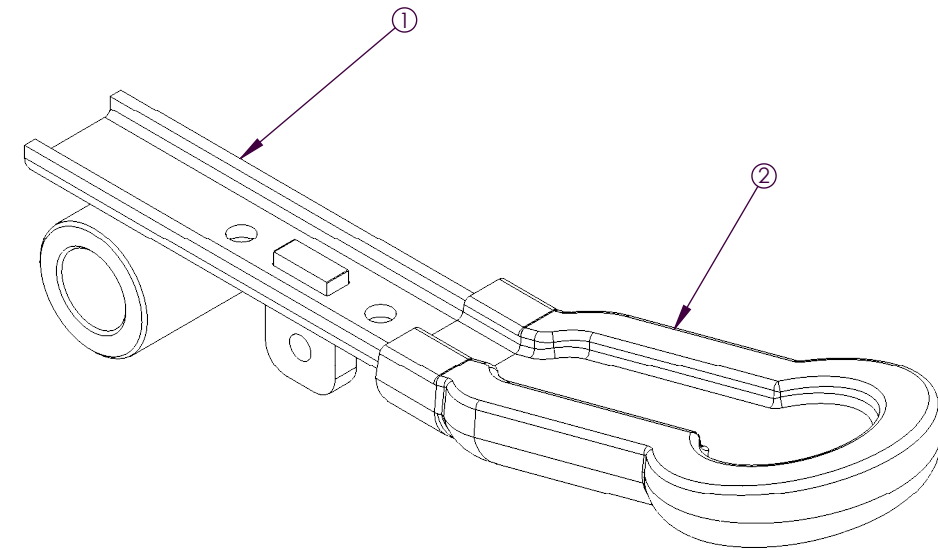
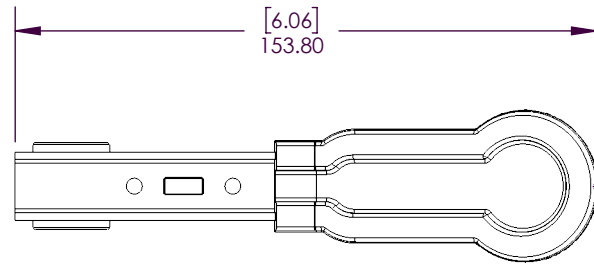
NOTE: ALL WEIGHTS AND DIMENSIONS ARE FOR REFERENCE ONLY

CONFIDENTIAL INFORMATION OF TRUE FITNESS TECHNOLOGY, INC. O'FALLON, MO. IT IS LOANED FOR CONFIDENTIAL USE. SUBJECT TO RETURN ON REQUEST, AND WITH THE MUTUAL UNDERSTANDING THAT IT WILL NOT BE USED IN ANY MANNER DETRIMENTAL TO THE INTERESTS OF TRUE FITNESS TECHNOLOGY, INC.

REV.	MCF#	DESCRIPTION	DATE	BY	APPRVL	TITLE	MATERIAL:	NOTES:	DRAWN BY	DATE	WEIGHT (KG)	DWG. SIZE	TRUE PART #:	REV.
						BREAK ALL SHARP CORNERS & EDGES								
						UNLESS OTHERWISE SPECIFIED DIMENSIONS ARE IN MILLIMETERS								
						TOLERANCES UNLESS NOTED: DECIMALS: .X ±.787mm .XX ±.381mm .XXX ±.127mm ANGULAR ±1° HOLES ±.127mm DO NOT SCALE DRAWING								
A	-	ORIGINAL RELEASE	-	-	-							<b>TRUE</b> FITNESS TECHNOLOGY, INC. O'FALLON, MO. 63366	A	

# 7UCS0046

ITEM NO.	TRUE PART #	SRS Part #	DESCRIPTION	QTY.
1	7UCS0336	WUCS900-08A	SEAT LEVER WELDMENT	1
2	7UCS0341	P08-UCS900-1	SEAT LEVER PLASTIC	1



NOTE: ALL WEIGHTS AND DIMENSIONS ARE FOR REFERENCE ONLY

CONFIDENTIAL INFORMATION OF TRUE FITNESS TECHNOLOGY, INC. O'FALLON, MO. IT IS LOANED FOR CONFIDENTIAL USE. SUBJECT TO RETURN ON REQUEST, AND WITH THE MUTUAL UNDERSTANDING THAT IT WILL NOT BE USED IN ANY MANNER DETRIMENTAL TO THE INTERESTS OF TRUE FITNESS TECHNOLOGY, INC.

REV.	MCF#	DESCRIPTION	DATE	BY	APPRVL	TITLE	MATERIAL:	NOTES:	DRAWN BY	DATE	WEIGHT (KG)	DWG. SIZE	TRUE PART #:	REV.
						SEAT LEVER PLASTIC ABS (TRUE BLUE)	Material <not specified>				0.12Kg	A	7UCS0046	
A	-	ORIGINAL RELEASE	-	-	-	BREAK ALL SHARP CORNERS & EDGES								
						UNLESS OTHERWISE SPECIFIED DIMENSIONS ARE IN MILLIMETERS								
						TOLERANCES UNLESS NOTED:								
						DECIMALS:								
						.X ±.787mm								
						.XX ±.381mm								
						.XXX ±.127mm								
						ANGULAR ±1°								
						HOLES ±.127mm								
						DO NOT SCALE DRAWING								

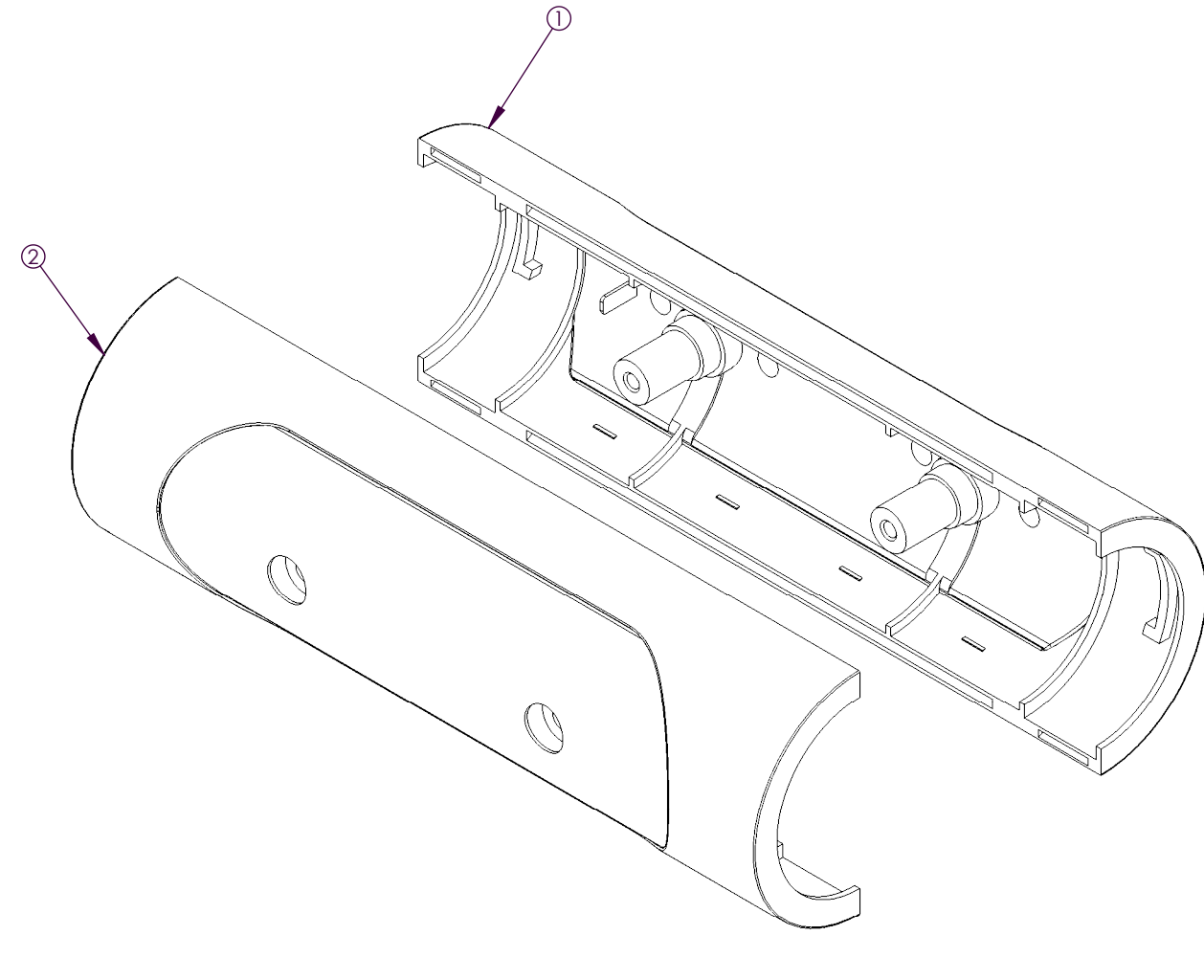
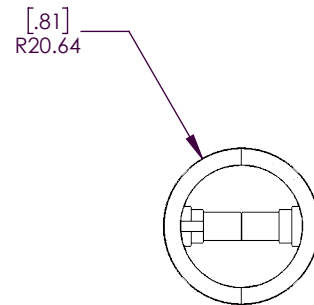
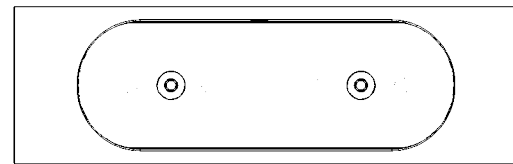
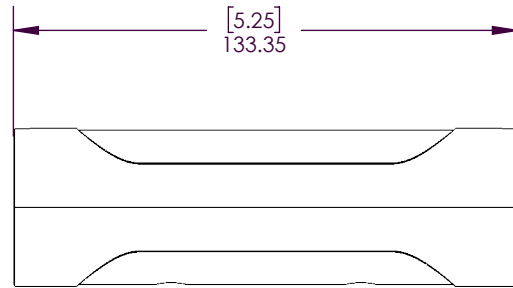


DWG. SIZE  
A

7UCS0046

# 7UCS0048

ITEM NO.	TRUE PART #	SRS Part #	DESCRIPTION	QTY.
1	7UCS0049	SB-RCS800-31-10A1/B1	TOP, CHR GRIP	1
2	7UCS0048	SB-RCS800-31-10A2/B2	BOTTOM, CHR GRIP	1



NOTE: ALL WEIGHTS AND DIMENSIONS ARE FOR REFERENCE ONLY

CONFIDENTIAL INFORMATION OF TRUE FITNESS TECHNOLOGY, INC. O'FALLON, MO. IT IS LOANED FOR CONFIDENTIAL USE. SUBJECT TO RETURN ON REQUEST, AND WITH THE MUTUAL UNDERSTANDING THAT IT WILL NOT BE USED IN ANY MANNER DETRIMENTAL TO THE INTERESTS OF TRUE FITNESS TECHNOLOGY, INC.

REV.	MCF#	DESCRIPTION	DATE	BY	APPRVL	TITLE	MATERIAL:	NOTES:	DRAWN BY	DATE	WEIGHT (KG)	DWG. SIZE	TRUE PART #:	REV.
						CHR GRIP ASSEMBLY, LOWER	Material <not specified>				0.06 Kg	A	7UCS0048	
A	-	ORIGINAL RELEASE	-	-	-	BREAK ALL SHARP CORNERS & EDGES								
						UNLESS OTHERWISE SPECIFIED DIMENSIONS ARE IN MILLIMETERS								
						TOLERANCES UNLESS NOTED:								
						DECIMALS:								
						.X ±.787mm								
						.XX ±.381mm								
						.XXX ±.127mm								
						ANGULAR ±1°								
						HOLES ±.127mm								
						DO NOT SCALE DRAWING								



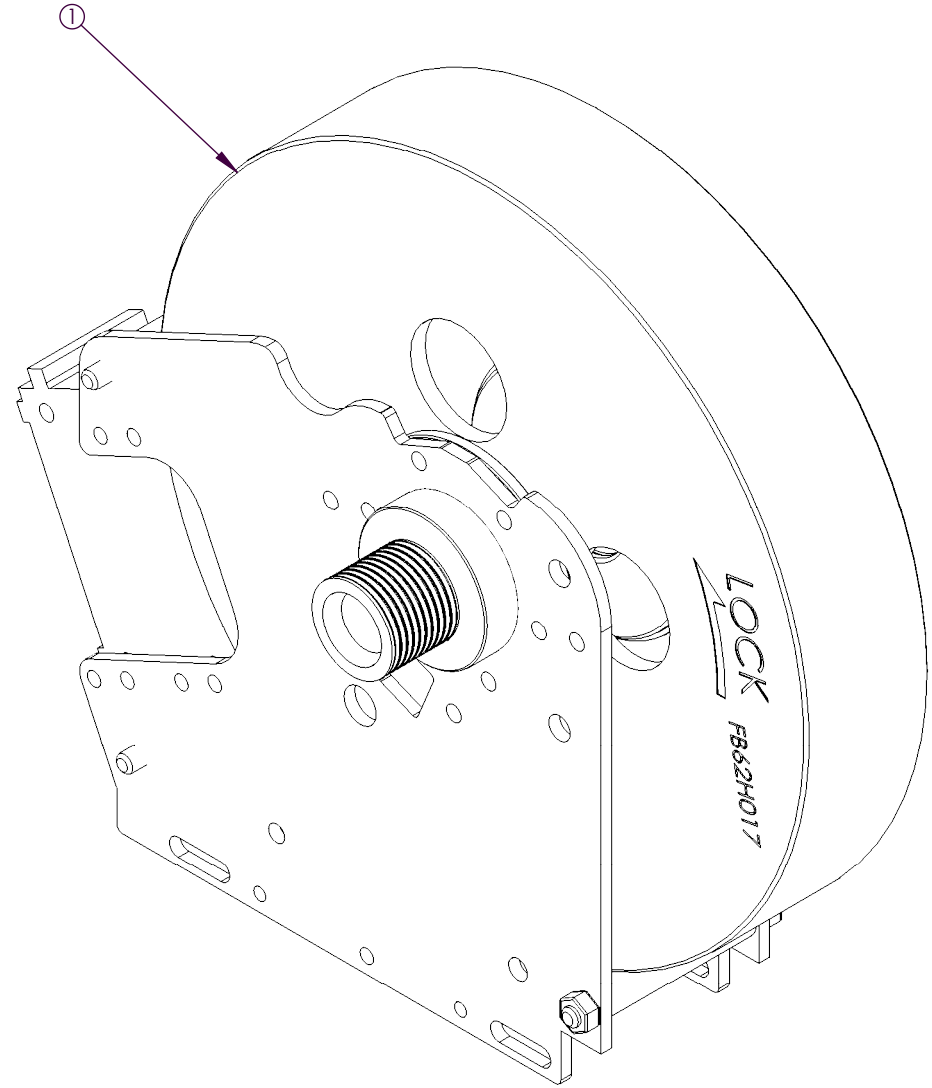
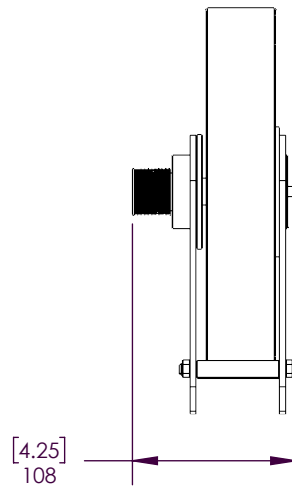
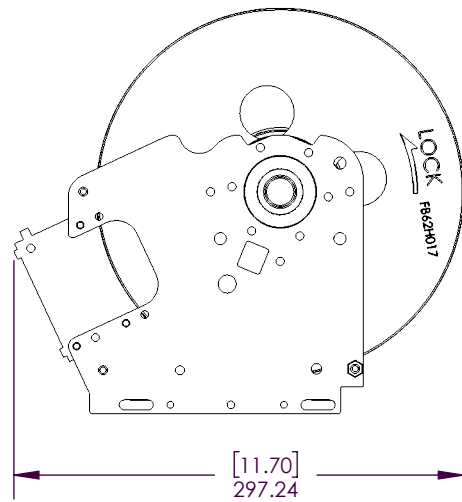
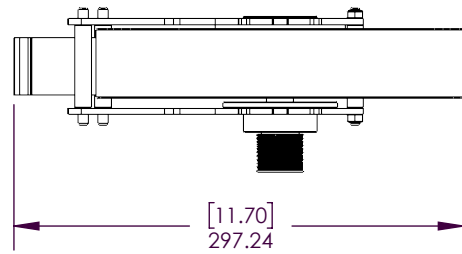
DWG. SIZE  
A

TRUE PART #:  
7UCS0048

REV.

# 7UCS0054

ITEM NO.	TRUE PART #	SRS Part #	DESCRIPTION	QTY.
1	7UCS0054		BRAKE/GEN ASSEMBLY, 450 WATT	1



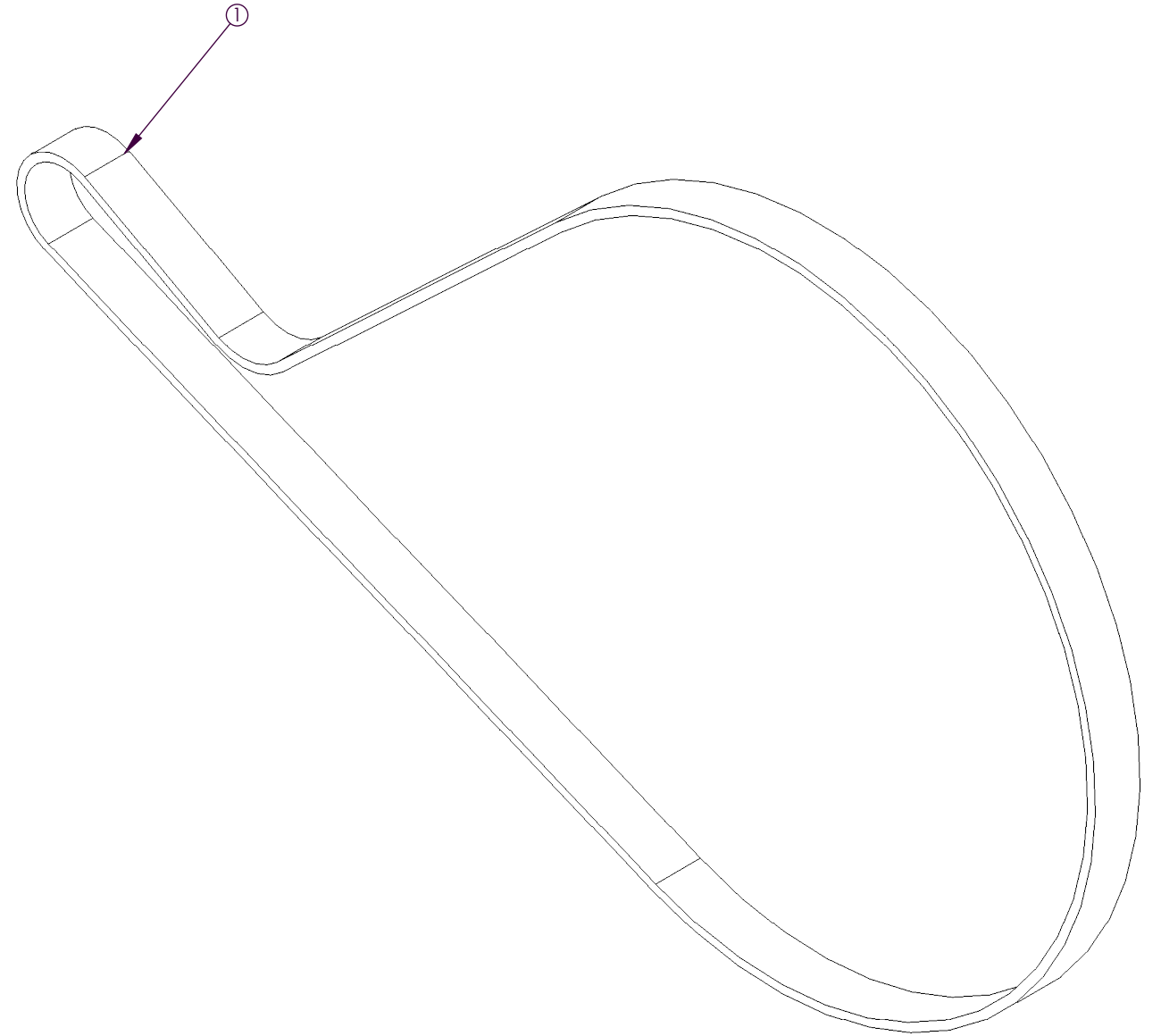
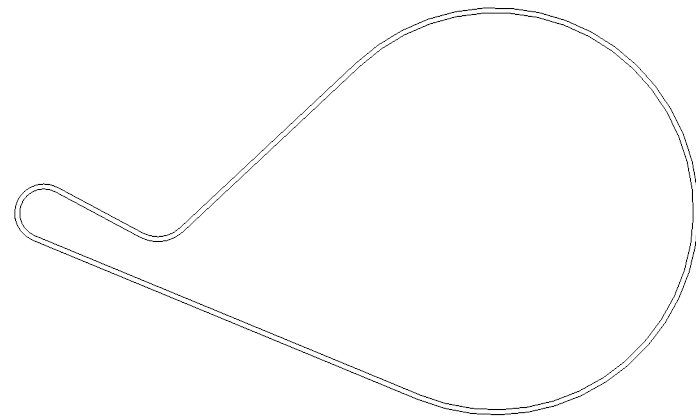
NOTE: ALL WEIGHTS AND DIMENSIONS ARE FOR REFERENCE ONLY

CONFIDENTIAL INFORMATION OF TRUE FITNESS TECHNOLOGY, INC. O'FALLON, MO. IT IS LOANED FOR CONFIDENTIAL USE. SUBJECT TO RETURN ON REQUEST, AND WITH THE MUTUAL UNDERSTANDING THAT IT WILL NOT BE USED IN ANY MANNER DETRIMENTAL TO THE INTERESTS OF TRUE FITNESS TECHNOLOGY, INC.

REV.	MCF#	DESCRIPTION	DATE	BY	APPRVL	TITLE	MATERIAL:	NOTES:	DRAWN BY	DATE	WEIGHT (KG)	DWG. SIZE	TRUE PART #:	REV.
A	-	ORIGINAL RELEASE	-	-	-	<b>BRAKE/GEN ASSEMBLY, 450 WATT</b>						A	7UCS0054	
						BREAK ALL SHARP CORNERS & EDGES								
						UNLESS OTHERWISE SPECIFIED DIMENSIONS ARE IN MILLIMETERS								
						TOLERANCES UNLESS NOTED:								
						DECIMALS:								
						.X ±.787mm								
						.XX ±.381mm								
						.XXX ±.127mm								
						ANGULAR ±1°								
						HOLES ±.127mm								
						DO NOT SCALE DRAWING								
							<b>TRUE</b> FITNESS TECHNOLOGY, INC. O'FALLON, MO. 63366							

# 7UCS0055

ITEM NO.	TRUE PART #	SRS Part #	DESCRIPTION	QTY.
1	7UCS0055	8PJ450	PRIMARY DRIVE BELT, UCS400	1



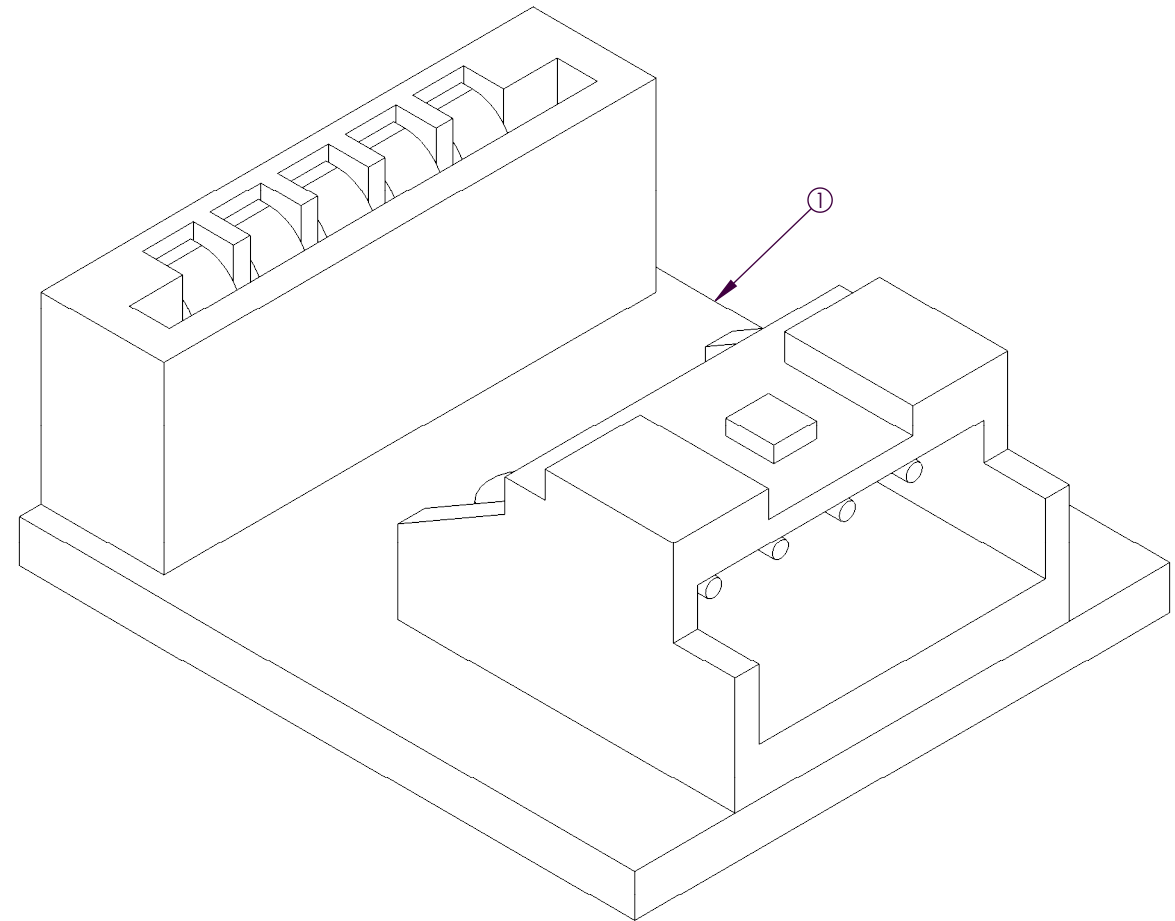
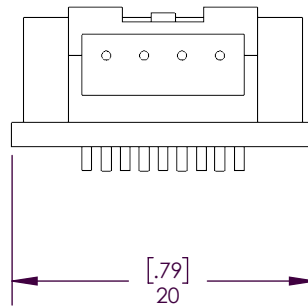
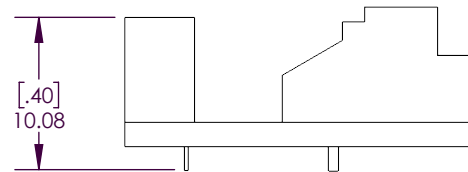
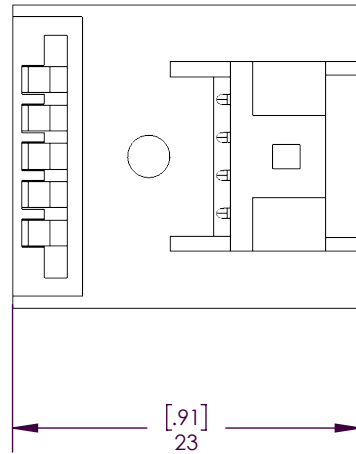
NOTE: ALL WEIGHTS AND DIMENSIONS ARE FOR REFERENCE ONLY

CONFIDENTIAL INFORMATION OF TRUE FITNESS TECHNOLOGY, INC., O'FALLON, MO. IT IS LOANED FOR CONFIDENTIAL USE. SUBJECT TO RETURN ON REQUEST, AND WITH THE MUTUAL UNDERSTANDING THAT IT WILL NOT BE USED IN ANY MANNER DETRIMENTAL TO THE INTERESTS OF TRUE FITNESS TECHNOLOGY, INC.

REV.	MCF#	DESCRIPTION	DATE	BY	APPRVL	TITLE	MATERIAL:	NOTES:	DRAWN BY	DATE	WEIGHT (KG)	DWG. SIZE	TRUE PART #:	REV.
A	-	ORIGINAL RELEASE	-	-	-	PRIMARY DRIVE BELT, UCS400	Rubber				0.07Kg	A	7UCS0055	
						BREAK ALL SHARP CORNERS & EDGES								
						UNLESS OTHERWISE SPECIFIED DIMENSIONS ARE IN MILLIMETERS								
						TOLERANCES UNLESS NOTED:								
						DECIMALS:								
						.X ±.787mm								
						.XX ±.381mm								
						.XXX ±.127mm								
						ANGULAR ±1°								
						HOLES ±.127mm								
						DO NOT SCALE DRAWING								
							<b>TRUE</b> FITNESS TECHNOLOGY, INC. O'FALLON, MO. 63366							

# 7UCS0067

ITEM NO.	TRUE PART #	SRS PART #	DESCRIPTION	QTY.
1	7UCS0067		THUMB SWITCH BOARD	1



NOTE: ALL WEIGHTS AND DIMENSIONS ARE FOR REFERENCE ONLY

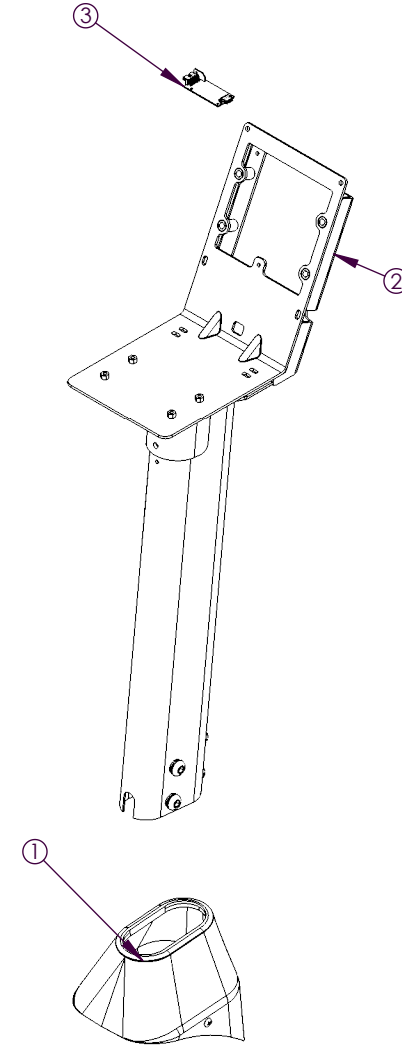
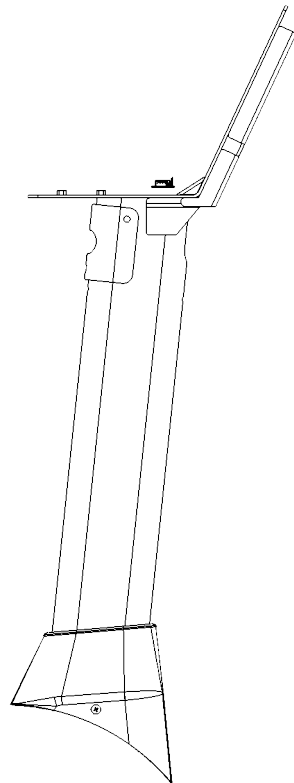
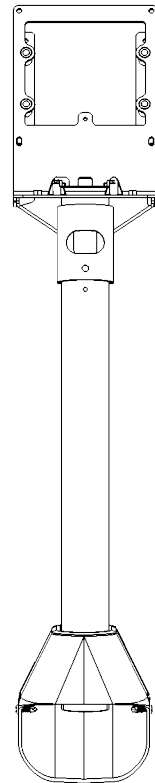
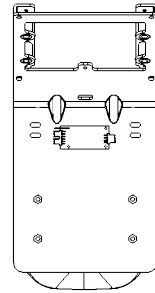
CONFIDENTIAL INFORMATION OF TRUE FITNESS TECHNOLOGY, INC. O'FALLON, MO. IT IS LOANED FOR CONFIDENTIAL USE. SUBJECT TO RETURN ON REQUEST, AND WITH THE MUTUAL UNDERSTANDING THAT IT WILL NOT BE USED IN ANY MANNER DETRIMENTAL TO THE INTERESTS OF TRUE FITNESS TECHNOLOGY, INC.

REV.	MCF#	DESCRIPTION	DATE	BY	APPRVL	TITLE	MATERIAL:	NOTES:	DRAWN BY	DATE	WEIGHT (KG)	DWG. SIZE	TRUE PART #:	REV.
A	-	ORIGINAL RELEASE	-	-	-	THUMB SWITCH CONNECTION	BREAK ALL SHARP CORNERS & EDGES					A	7UCS0067	
						UNLESS OTHERWISE SPECIFIED DIMENSIONS ARE IN MILLIMETERS								
						TOLERANCES UNLESS NOTED:								
						DECIMALS:								
						.X ±.787mm								
						.XX ±.381mm								
						.XXX ±.127mm								
						ANGULAR ±1°								
						HOLES ±.127mm								
						DO NOT SCALE DRAWING								



# 7UCS0318

ITEM NO.	TRUE PART #	SRS Part #	DESCRIPTION	QTY.
1	7UCS0007		CONSOLE MAST BOOT W/GASKET	1
2	7UCS0008		CONSOLE MAST	1
3	70614200		COMBO SALUTRON HR BOARD	1

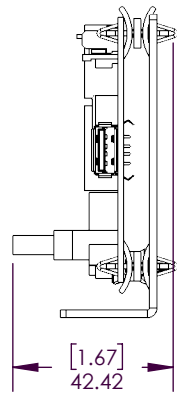
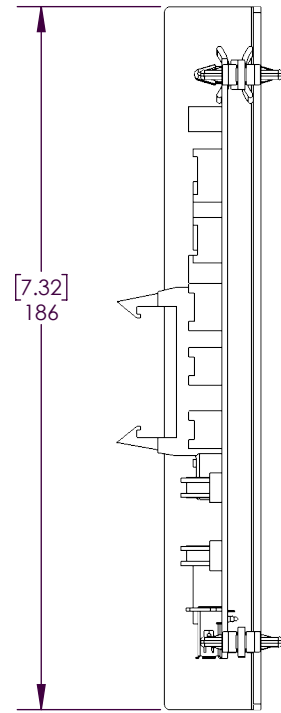


NOTE: ALL WEIGHTS AND DIMENSIONS ARE FOR REFERENCE ONLY

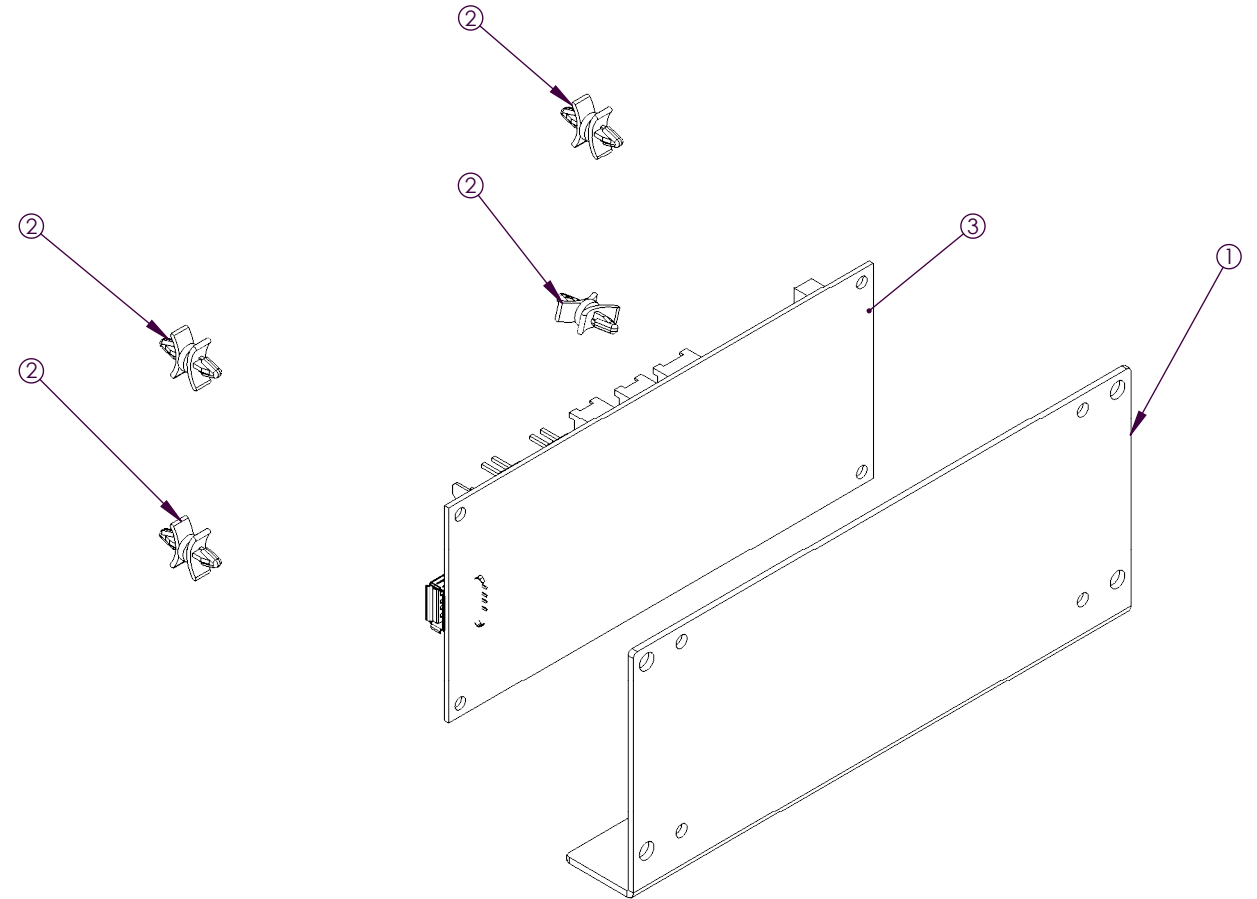
CONFIDENTIAL INFORMATION OF TRUE FITNESS TECHNOLOGY, INC. O'FALLON, MO. IT IS LOANED FOR CONFIDENTIAL USE. SUBJECT TO RETURN ON REQUEST, AND WITH THE MUTUAL UNDERSTANDING THAT IT WILL NOT BE USED IN ANY MANNER DETRIMENTAL TO THE INTERESTS OF TRUE FITNESS TECHNOLOGY, INC.

REV.	MCF#	DESCRIPTION	DATE	BY	APPRVL	TITLE	MATERIAL:	NOTES:	DRAWN BY	DATE	WEIGHT (KG)	DWG. SIZE	TRUE PART #:	REV.
A	-	ORIGINAL RELEASE	-	-	-	UC900 CONSOLE MAST ASSEMBLY	BREAK ALL SHARP CORNERS & EDGES					A	7UCS0318	
						UNLESS OTHERWISE SPECIFIED DIMENSIONS ARE IN MILLIMETERS								
						TOLERANCES UNLESS NOTED:								
						DECIMALS:								
						.X ±.787mm								
						.XX ±.381mm								
						.XXX ±.127mm								
						ANGULAR ±1°								
						HOLES ±.127mm								
						DO NOT SCALE DRAWING								
							 FITNESS TECHNOLOGY, INC. O'FALLON, MO. 63366							

# 7UCS0365



ITEM NO.	TRUE PART #	DESCRIPTION	QTY.
1	7UCS0363	NUCLEUS BOARD BRACKET	1
2	7UCS0364	RIVET, PUSH IN, NUCLEUS BOARD	4
3	70612700	NUCLEUS BOARD	1



NOTE: ALL WEIGHTS AND DIMENSIONS ARE FOR REFERENCE ONLY

CONFIDENTIAL INFORMATION OF TRUE FITNESS TECHNOLOGY, INC. O'FALLON, MO. IT IS LOANED FOR CONFIDENTIAL USE. SUBJECT TO RETURN ON REQUEST, AND WITH THE MUTUAL UNDERSTANDING THAT IT WILL NOT BE USED IN ANY MANNER DETRIMENTAL TO THE INTERESTS OF TRUE FITNESS TECHNOLOGY, INC.

REV.	MCF#	DESCRIPTION	DATE	BY	APPRVL	TITLE	MATERIAL:	NOTES:	DRAWN BY	DATE	WEIGHT (KG)	DWG. SIZE	TRUE PART #:	REV.
A	-	ORIGINAL RELEASE	-	-	-	<b>NUCLEUS BOARD ASSEMBLY</b> BREAK ALL SHARP CORNERS & EDGES UNLESS OTHERWISE SPECIFIED DIMENSIONS ARE IN MILLIMETERS TOLERANCES UNLESS NOTED: DECIMALS: .X ±.787mm .XX ±.381mm .XXX ±.127mm ANGULAR ±1° HOLES ±.127mm DO NOT SCALE DRAWING						A	7UCS0365	



DWG. SIZE  
**A**

TRUE PART #:  
**7UCS0365**

REV.