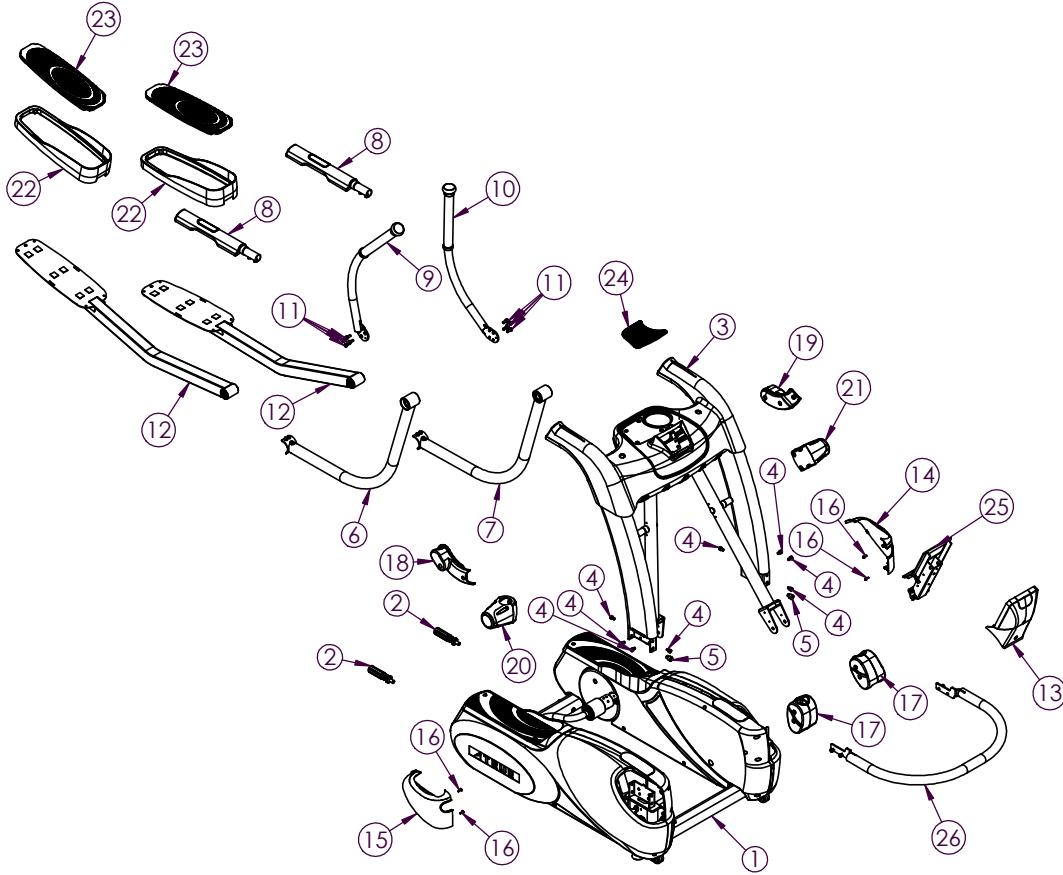


XC400-19




ITEM NO.	PART NUMBER	Rexon Part #	DESCRIPTION	QTY.
1	7XC0020BK		XC400 BASE ASSEMBLY	1
2	7XES0033BK	10C72JC9	REMOVABLE HANDLE	2
3	7XC0021BK		PEDESTAL ASSY - XCS400	1
4	7SX0036	2602261H	M8X12 BOLT, HES SOC. HD. CAP 2602266	8
5	26023B5E	26023B5E	M12X12 SOCKET HEAD SCREW	2
6	7XCS0031RBK		LINKAGE ASSY (R) - XCS400	1
7	7XCS0031LBK		LINKAGE ASSY (L) - XCS400	1
8	7XPS0011A	10J33B6N	HANDLEBAR	2
9	7XCS0025BBK		UPPER EXERCISE ARM: XCS400/R; XCS900/L	1
10	7XCS0025ABK		UPPER EXERCISE ARM: XCS400/L; XCS900/R	1
11	10K43Q0X	10K43Q0X	M8X12 TAPERED SOCKET HEAD SCREW	8
12	7XCS0032BK		PEDAL TUBE ASSY - XCS400	2
13	7XCS0038BK		REAR CONSOLE COVER ASSY - XCS400	1
14	7XCS0035LBK		LEFT PEDESTAL BASE COVER	1
15	7XCS0035RBK		RIGHT PEDESTAL BASE COVER	1
16	7XPS0078	266138GU	M4X16 TRUSS HD TAPPING SCREW (FOR SHROUD)	4
17	7XCS0099BK		ROCKER ARM COVER SET	2
18	7XCS0039RBK		SHAFT COVER SET (R) - XCS400	1
19	7XCS0039LBK		SHAFT COVER SET (L) - XCS400	1
20	7XC0027BK		RIGHT LINKAGE PIVOT ASSEMBLY	1
21	7XC0028BK		LEFT LINKAGE PIVOT ASSEMBLY	1
22	7XCS0020BK		FOOT SKATE ASSEMBLY	2
23	7XCS0019		FOOT PAD WITH VELCRO	2
24	7XCS0006BK	10J339QF	CONSOLE PAD, TRUE BLUE - XCS400	1
25	7XCS0005BK		CONSOLE MAST ASSY - XCS400	1
26	7XCS0021BK		FRONT EXTENDED TUBE ASSY - XCS400	1

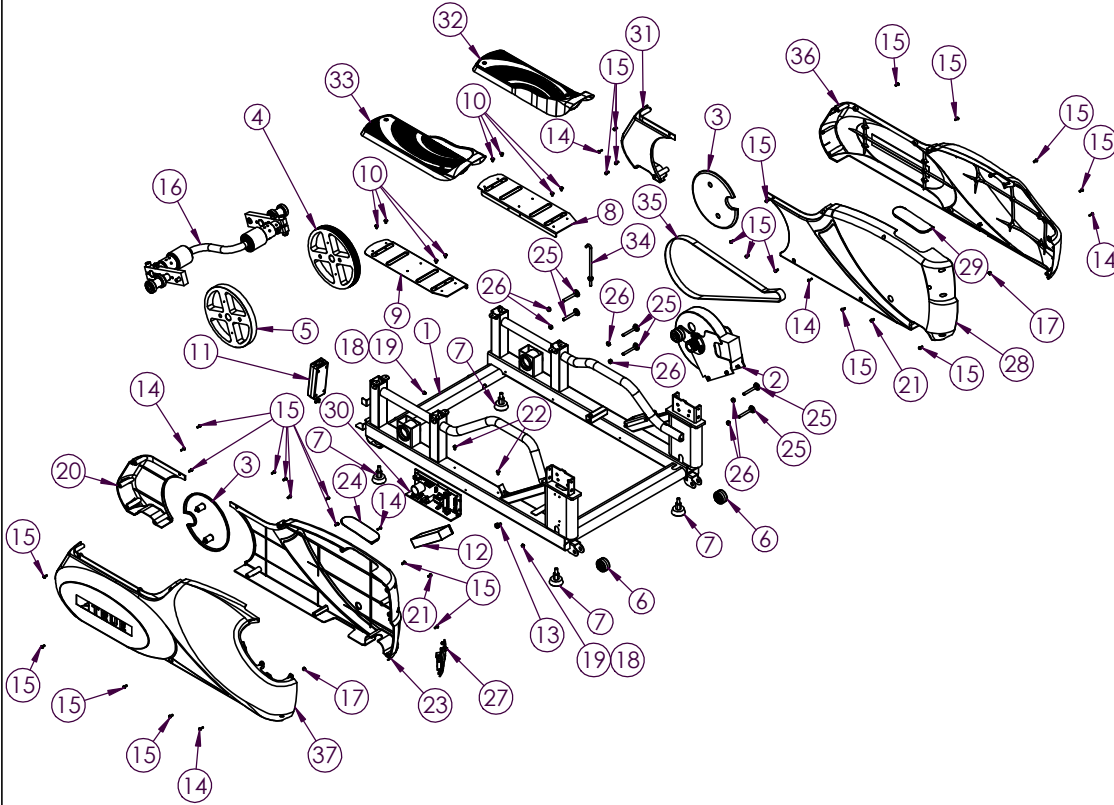
NOTE: ALL WEIGHTS AND DIMENSIONS ARE FOR REFERENCE ONLY

CONFIDENTIAL INFORMATION
 OF TRUE FITNESS TECHNOLOGY, INC., O'FALLON, MO. IT IS LOANED FOR CONFIDENTIAL USE. SUBJECT TO RETURN ON REQUEST, AND WITH THE MUTUAL UNDERSTANDING THAT IT WILL NOT BE USED IN ANY MANNER DETRIMENTAL TO THE INTERESTS OF TRUE FITNESS TECHNOLOGY, INC.

REV.	MCF#	DESCRIPTION	DATE	BY	APPRVL
A	-	ORIGINAL RELEASE	-	-	-

TITLE				XC400	
BREAK ALL SHARP CORNERS & EDGES		MATERIAL: Material <not specified>			
UNLESS OTHERWISE SPECIFIED DIMENSIONS ARE IN MILLIMETERS		NOTES:			
TOLERANCES UNLESS NOTED: DECIMALS: .X ±.787mm .XX ±.381mm .XXX ±.127mm ANGULAR ±1° HOLES ±.127mm DO NOT SCALE DRAWING		DRAWN BY		DATE	
				WEIGHT (KG) 136.60Kg	
				DWG. SIZE: A TRUE PART #: XC400-19 FITNESS TECHNOLOGY, INC. O'FALLON, MO. 63366	
				REV.	

7XC0020BK



ITEM NO.	PART NUMBER	Rexon Part #	DESCRIPTION	QTY.
1	7XC0029		XC400 BASE WELDMNT	1
2	7XCS0023		GENERATOR BRAKE ASSY - XCS400	1
3	7XCS0013BK		DISC COVER ASSEMBLY	2
4	7XCS0015	10J63C0C	DRIVE WHEEL - XCS400	1
5	7XCS0018	10J63C0E	FLY WHEEL (R) - XCS400	1
6	7XPS0007		TRANSPORT WHEEL ASSEMBLY	2
7	7XPS0008		LEVELING FOOT ASSEMBLY	4
8	7XPS0058	10J339NW	LEFT FOOT BRACKET	1
9	7XPS0059	10J339NX	RIGHT FOOT BRACKET	1
10	26342H7T	26342H7T	M5X10 PHILLIPS ROUNDED HEAD SCREW	8
11	70595500		POWER SUPPLY, FUYANG 12V 6A NO POWER CORD	1
12	70588800		BATTERY, YUSA NP 2.3-12FR (IATA SP A67)	1
13	7XC0052	10C82HLD	XC400 CHARGING PORT	1
14	7XPS0078	266138GU	M4X16 TRUSS HD TAPPING SCREW (FOR SHROUD)	6
15	7XCS0100	266833N0	PAN HEAD SCREW M5XP0.8X12	26
16	7XCS0008BK		CRANK SHAFT - XCS400	1
17	7XC0034	271437W1	INSERT, REGULAR CAP TYPE, 5/16" PLASTIC BOSS	2
18	2504MZC006	2504MZC006	M5 - 11mm EXTERNAL TOOTH LOCK WASHER	2
19	26688ZDA22	26688ZDA22	M5X6 PAN HEAD SCREW	2
20	7XPS0051BK	10J339Q6	COVER, INNER REAR RIGHT	1
21	2620BZDB18	2620BZDB18	M5X16 PHILLIPS ROUNDED HEAD SCREW WITH WASHER	2
22	7SX0004	2634BFDA24	SCREW, CR.-RE. TRUSS HD. 2634BFDA24	2
23	7XPS0050BK	10J339Q5	COVER, INNER FRONT RIGHT	1
24	7XCS0027RBK	10J63C1L	INNER FRONT EXCESS (R) - XCS400	1
25	7XC0036	11302LFU	COVER SUPPORT POST	6
26	2701FZD113	2701FZD113	M8X6.5 HEX NUT	6
27	7XCS0037BK		POWER INLET ASSY - XCS400	1
28	7XPS0049BK	10J339QB	COVER, INNER FRONT LEFT	1
29	7XCS0027LBK	10J63C1K	INNER FRONT EXCESS (L) - XCS400	1
30	00591500		LOWER CONTROL BOARD	1
31	7XPS0052BK	10J339QC	COVER, INNER REAR LEFT	1
32	7XPS0021LBK		LEFT SIDE STEP	1
33	7XPS0021RBK		RIGHT SIDE STEP	1
34	7XCS0002		BELT TENSION ROD ASSEMBLY	1
35	7XCS0014	25723CGL	DRIVE BELT	1
36	7XPS0013BK		LEFT MAIN OUTER COVER	1
37	7XPS0014BK		RIGHT MAIN OUTER COVER	1

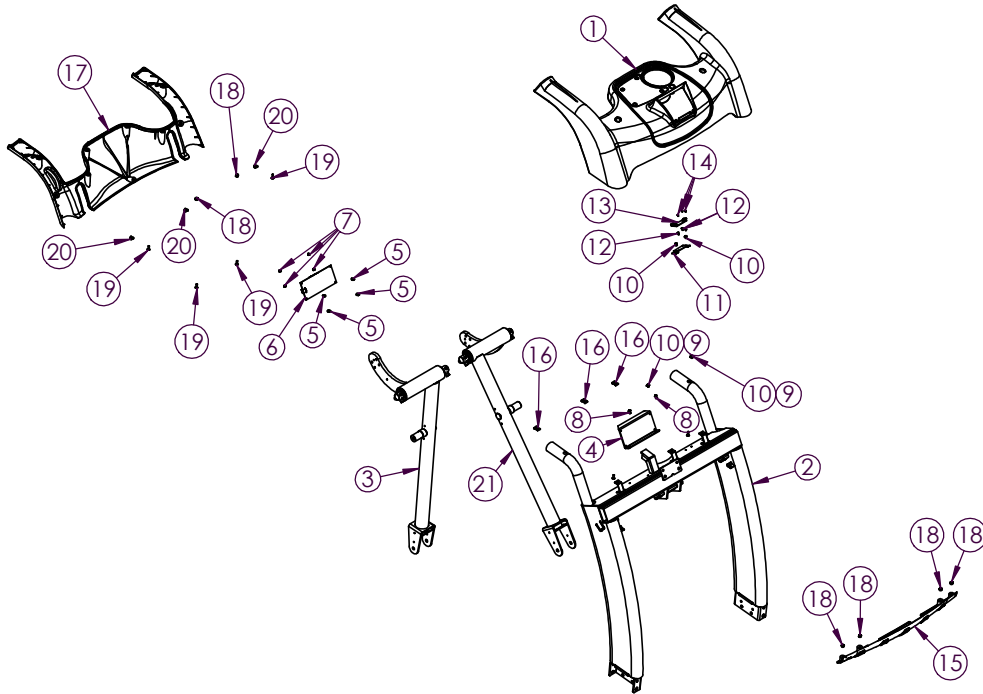
NOTE: ALL WEIGHTS AND DIMENSIONS ARE FOR REFERENCE ONLY

CONFIDENTIAL INFORMATION
 OF TRUE FITNESS TECHNOLOGY, INC., O'FALLON, MO. IT IS LOANED FOR CONFIDENTIAL USE. SUBJECT TO RETURN ON REQUEST, AND WITH THE MUTUAL UNDERSTANDING THAT IT WILL NOT BE USED IN ANY MANNER DETRIMENTAL TO THE INTERESTS OF TRUE FITNESS TECHNOLOGY, INC.

REV.	MCF#	DESCRIPTION	DATE	BY	APPRVL
A	-	ORIGINAL RELEASE	-	-	-

TITLE					
XC400 BASE ASSEMBLY					
BREAK ALL SHARP CORNERS & EDGES			MATERIAL:		
UNLESS OTHERWISE SPECIFIED DIMENSIONS ARE IN MILLIMETERS			NOTES:		
TOLERANCES UNLESS NOTED: DECIMALS: .X ±.787mm .XX ±.381mm .XXX ±.127mm ANGULAR ±1° HOLES ±.127mm DO NOT SCALE DRAWING			DRAWN BY		WEIGHT (KG)
			JCP		
			TRUE FITNESS TECHNOLOGY, INC. O'FALLON, MO. 63366		
			DWG. SIZE	TRUE PART #:	REV.
			A	7XC0020BK	0

7XC0021BK



ITEM NO.	PART NUMBER	Rexon Part #	DESCRIPTION	QTY.
1	7XPS0031ABK	101J33B76	UPPER COVER ASSEMBLY	1
2	7XC0037BK	10J63C05	PEDESTAL WELDMENT	1
3	7XCS0026RBK		HANDRAIL TUBE ASSY (R) - XCS400	1
4	7XC0038	10J63U67	UPPER BOARD BRACKET	1
5	7XC0039	10F13U59	NUCLEUS BOARD STANDOFF SCREW	4
6	70612700	10F13U33	NUCLEUS BOARD	1
7	2668BZDA06	2668BZDA06	M4X5 PAN HEAD SCREW	4
8	26082HDZ	26082HDZ	M6X10 HEX DRIVE ROUNDED HEAD SCREW	2
9	2504MZC006	2504MZC006	M5 - 11mm EXTERNAL TOOTH LOCK WASHER	2
10	2668BZDA22	2668BZDA22	M5X6 PAN HEAD SCREW	4
11	7XC0040	10K73U52	SALUTRON BOARD BRACKET	1
12	7XC0041	10F13U58	SALUTRON BOARD STANDOFF SCREW	3
13	7XC0014	10F13U34	SALUTRON BOARD	1
14	26693R62	26693R62	M2X4 PAN HEAD SCREW	3
15	7XPS0044BK	10J339P5	BOTTOM PEDESTAL COVER FRONT	1
16	7XC0042	2707FBN108	PEDESTAL SCREW CLIP	3
17	7XPS0043ABK	10J339P4	BOTTOM COVER	1
18	7XC0034	271437W1	INSERT, REGULAR CAP TYPE, 5/16" PLASTIC BOSS	6
19	7XPS0078	266138GU	M4X16 TRUSS HD TAPPING SCREW (FOR SHROUD)	6
20	7SX0004	2634BFDA24	SCREW, CR.-RE. TRUSS HD. 2634BFDA24	3
21	7XCS0026LBK		HANDRAIL TUBE ASSY (L) - XCS400	1

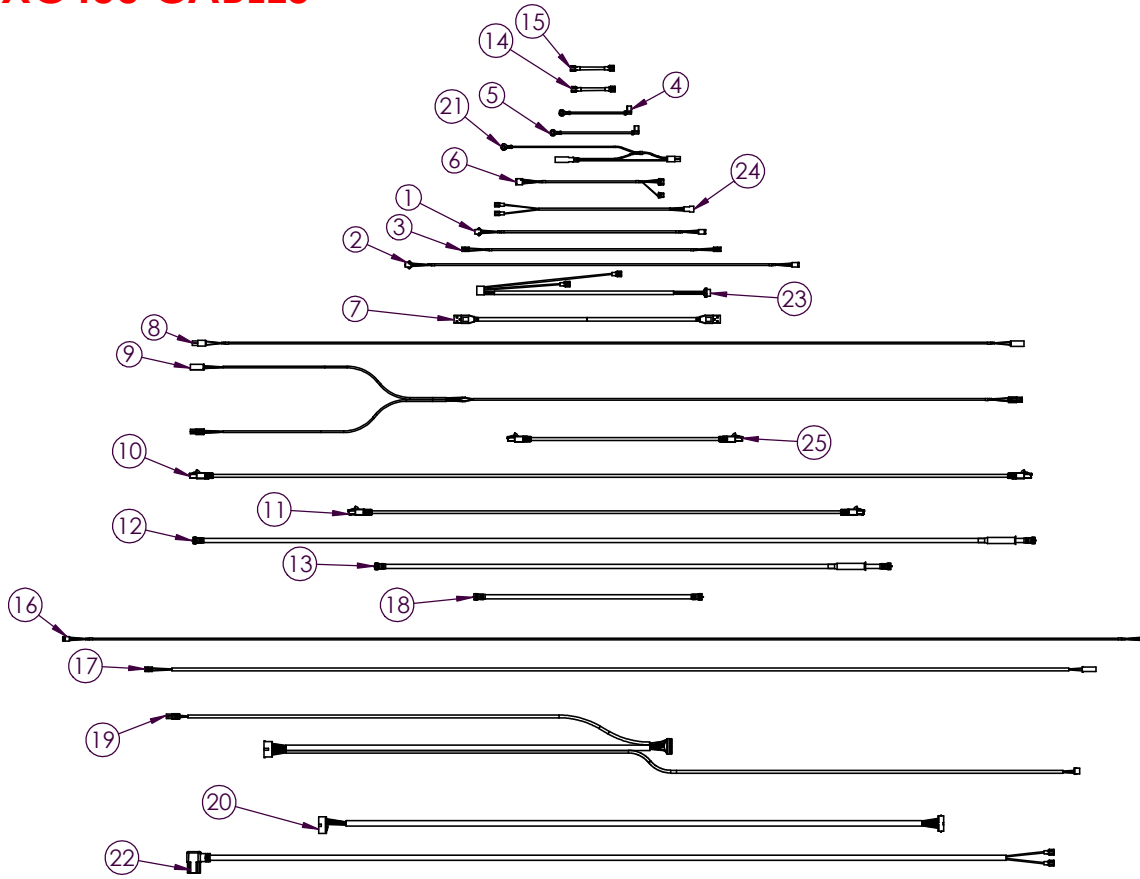
NOTE: ALL WEIGHTS AND DIMENSIONS ARE FOR REFERENCE ONLY

CONFIDENTIAL INFORMATION
 OF TRUE FITNESS TECHNOLOGY, INC., O'FALLON, MO. IT IS LOANED FOR CONFIDENTIAL USE. SUBJECT TO RETURN ON REQUEST, AND WITH THE MUTUAL UNDERSTANDING THAT IT WILL NOT BE USED IN ANY MANNER DETRIMENTAL TO THE INTERESTS OF TRUE FITNESS TECHNOLOGY, INC.

REV.	MCF#	DESCRIPTION	DATE	BY	APPRVL
A	-	ORIGINAL RELEASE	-	-	-

TITLE					
PEDESTAL ASSY - XCS400					
BREAK ALL SHARP CORNERS & EDGES			MATERIAL:		
UNLESS OTHERWISE SPECIFIED DIMENSIONS ARE IN MILLIMETERS			NOTES:		
TOLERANCES UNLESS NOTED: DECIMALS: .X ±.787mm .XX ±.381mm .XXX ±.127mm ANGULAR ±1° HOLES ±.127mm DO NOT SCALE DRAWING			DRAWN BY JCP		DATE
DWG. SIZE A		TRUE PART #: 7XC0021BK		REV. 0	
FITNESS TECHNOLOGY, INC. O'FALLON, MO. 63366					

XC400 CABLES



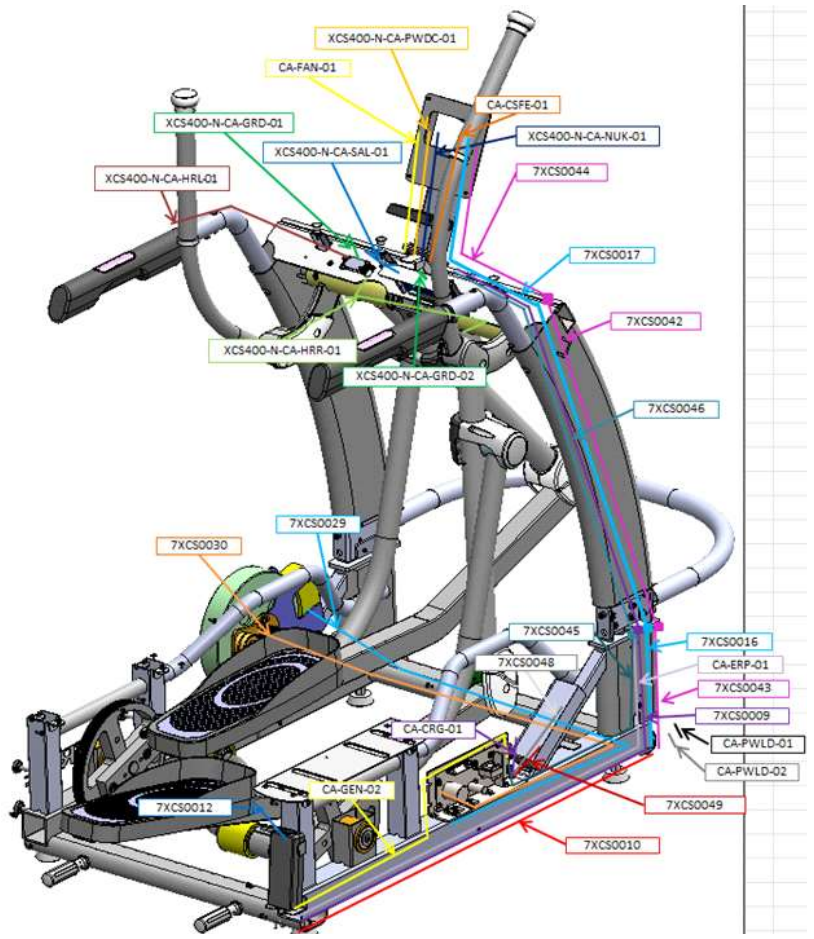
ITEM NO.	TRUE PART #	Rexon Part #	DESCRIPTION	QTY.
1	7XC0017		LEFT COMBO SALUTRON TO HRL	1
2	7XC0016		RIGHT COMBO SALUTRON TO HRR	1
3	7XC0011		NUCLEUS TO CONSOLE	1
4	7XC0006		SALUTRON GROUND WIRE	1
5	7XC0007		NUCLEUS GROUND WIRE	1
6	7XC0010		SALUTRON TO NUCLEUS	1
7	7XC0002		NUCLEUS TO CONSOLE	1
8	7XCS0010	10J63DFA	DC POWER CABLE	1
9	7XCS0009	10J63C4J	DC POWER CABLE PEDESTAL	1
10	7XCS0016	10J63CEP	ETHERNET CABLE	1
11	7XCS0017	10J63DPE	ETHERNET CABLE	1
12	7XCS0042	10J63C4F	VIDEO CABLE (COAXIAL)	1
13	7XCS0044	10J63DPD	VIDEO CABLE (COAXIAL)	1
14	7XCS0048	10F62URT	POWER INLET CABLE, WHITE	1
15	7XCS0049	10F62URU	POWER INLET CABLE, BLACK	1
16	7XCS0030	10J63C4E	BRAKE GENERATOR CABLE	1
17	7XCS0029	10J63C4D	BRAKE RESISTANCE WIRE	1
18	7XCS0043	10J63C4G	VIDEO CABLE (COAXIAL)	1
19	7XCS0045	10J63C4A	WIRE HARNESS MAIN	1
20	7XCS0046	10J63C49	UPPER MAIN DATA CABLE	1
21	7XCS0012	10J63C4H	DC POWER CABLE	1
22	7XCS0101		POWER CABLE	1
23	7XCS0102	10J63C56	CHARGING PORT WIRE	1
24	7XCS0129		HAND PULSE HARNESS, HANDLEBAR	1
25	7XCS0131		LOWER ETHERNET CABLE	1

NOTE: ALL WEIGHTS AND DIMENSIONS ARE FOR REFERENCE ONLY

CONFIDENTIAL INFORMATION
 OF TRUE FITNESS TECHNOLOGY, INC., O'FALLON, MO. IT IS LOANED FOR CONFIDENTIAL USE. SUBJECT TO RETURN ON REQUEST, AND WITH THE MUTUAL UNDERSTANDING THAT IT WILL NOT BE USED IN ANY MANNER DETRIMENTAL TO THE INTERESTS OF TRUE FITNESS TECHNOLOGY, INC.

REV.	MCF#	DESCRIPTION	DATE	BY	APPRVL
A	-	ORIGINAL RELEASE	-	-	-

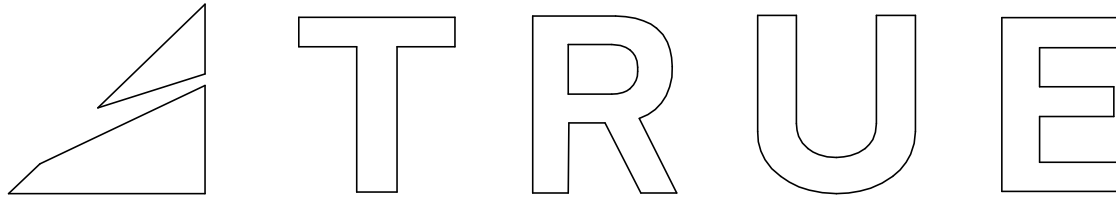
TITLE				ALL CABLES FOR XC400	
BREAK ALL SHARP CORNERS & EDGES		MATERIAL: Material <not specified>			
UNLESS OTHERWISE SPECIFIED DIMENSIONS ARE IN MILLIMETERS		NOTES:			
TOLERANCES UNLESS NOTED: DECIMALS: .X ±.787mm .XX ±.381mm .XXX ±.127mm ANGULAR ±1° HOLES ±.127mm DO NOT SCALE DRAWING		DRAWN BY		DATE	
				WEIGHT (KG) 5.47 Kg	
				DWG. SIZE: A TRUE PART #: XC400 CABLES REV.	



ITEM NO.	TRUE PART #	Rexon Part #	DESCRIPTION	QTY.	ITEM NO.	TRUE PART #	Rexon Part #	DESCRIPTION	QTY.
1	7XCS0031RBK		LINKAGE ASSY (R) - XCS400	1	64	75X0004	2634BFDA24	SCREW, CR.-RE. TRUSS HD. 2634BFDA24	1
2	7XCS0031LBK		LINKAGE ASSY (L) - XCS400	1	65	7CX0063	26682NAK	M5X8 SCREW, CR RE PAN HEAD	1
3	7XC0027BK		RIGHT LINKAGE PIVOT ASSEMBLY	1	66	7CX0102	26342RYG	M3X12 PHILLIPS ROUNDED HEAD SCREW	1
4	7XC0028BK		LEFT LINKAGE PIVOT ASSEMBLY	1	67		26173FZ6	M6X14 SEMS HEX HEAD BOLT	1
5	7XCS0005BK		CONSOLE MAST ASSY - XCS400	1	68		26022ZXH	M8X20 SOCKET HEAD BOLT	1
6	7XCS0014	25723CGL	DRIVE BELT	1	69	7XCS0035LBK		LEFT PEDESTAL BASE COVER	1
7	7XCS0023		GENERATOR BRAKE ASSY - XCS400	1	70	7XCS0035RBK		RIGHT PEDESTAL BASE COVER	1
8	7XCS0025ABK		UPPER EXERCISE ARM: XCS400/L; XCS900/R	1	71		26343E28	M5X8 PAN HEAD SCREW	1
9	7XCS0025BBK		UPPER EXERCISE ARM: XCS400/R; XCS900/L	1	72	7XES0033BK	10C72JC9	REMOVABLE HANDLE	1
10	7XCS0032BK		PEDAL TUBE ASSY - XCS400	1	73	75X0036	2602261H	M8X12 BOLT, HES SOC. HD. CAP 2602266	1
11	7XCS0038BK		REAR CONSOLE COVER ASSY - XCS400	1	74		26023B5E	M12X12 SOCKET HEAD SCREW	1
12	7XCS0039LBK		SHAFT COVER SET (L) - XCS400	1	75		10K43Q0X	M8X12 TAPERED SOCKET HEAD SCREW	1
13	7XCS0039RBK		SHAFT COVER SET (R) - XCS400	1	76	7XPS0078	266138GU	M4X16 TRUSS HD TAPPING SCREW (FOR SHROUD)	1
14	7XCS0099BK		ROCKER ARM COVER SET	1	77	7XCS0006BK	10J339QF	CONSOLE PAD, TRUE BLUE - XCS400	1
15	7XPS0011A	10J3386N	HANDLEBAR	1	78	7XCS0015	10J63C0C	DRIVE WHEEL - XCS400	1
16	7XC0046	10J339P1	BOTTOM HAND PULSE SENSOR	1	79	7XCS0018	10J63C0E	FLY WHEEL (R) - XCS400	1
17	7XC0047	10J339NZ	TOP HAND PULSE SENSOR	1	80	7XPS0058	10J339NW	LEFT FOOT BRACKET	1
18	7XC0091BK		PEDESTAL ASSY - XCS400	1	81	7XPS0059	10J339NX	RIGHT FOOT BRACKET	1
19	7XCS0002		BELT TENSION ROD ASSEMBLY	1	82	70588800		BATTERY, YUSA NP 2.3-12FR (IATA SP A67)	1
20	7XCS0004BK		REAR CONSOLE MAST COVER UPPER INSERT ASSY - XCS400	1	83	70595500		POWER SUPPLY, FUYANG 12V 6A NO POWER CORD	1
21	7XCS0008BK		CRANK SHAFT - XCS400	1	84	7CX0122BK	10J33A2Y	NEW TRUE DECAL	1
22	7XCS0013BK		DISC COVER ASSEMBLY	1	85	7XC0052	10C82HLD	XC400 CHARGING PORT	1
23	7XCS0019		FOOT PAD WITH VELCRO	1	86	7XPS0051BK	10J339Q6	COVER, INNER REAR RIGHT	1
24	7XCS0020BK		FOOT SKATE ASSEMBLY	1	87	7XCS0027LBK	10J63C1K	INNER FRONT EXCESS (L) - XCS400	1
25	7XCS0021BK		FRONT EXTENDED TUBE ASSY - XCS400	1	88	7XCS0027RBK	10J63C1L	INNER FRONT EXCESS (R) - XCS400	1
26	7XCS0022BK		FRONT LOWER CONSOLE COVER ASSEMBLY	1	89	7XPS0049BK	10J339QB	COVER, INNER FRONT LEFT	1
27	7XCS0026LBK		HANDRAIL TUBE ASSY (L) - XCS400	1	90	7XPS0050BK	10J339Q5	COVER, INNER FRONT RIGHT	1
28	7XCS0026RBK		HANDRAIL TUBE ASSY (R) - XCS400	1	91	7XPS0052BK	10J339QC	COVER, INNER REAR LEFT	1
29	7XCS0037BK		POWER INLET ASSY - XCS400	1	92	00591500		LOWER CONTROL BOARD	1
30	7XCS0105		IDLER BRACKET ASSY	1	93	7XCS0103BK	10J33AGF	SILVER DECAL	1
31	7XPS0007		TRANSPORT WHEEL ASSEMBLY	1	94	7XCS0104BK	10J33AGG	SILVER DECAL	1
32	7XPS0008		LEVELING FOOT ASSEMBLY	1	95	70612700	10F13U33	NUCLEUS BOARD	1
33	7XPS0012	10J3386P	HAND PULSE ASSEMBLY	1	96	7XC0038	10J63U67	UPPER BOARD BRACKET	1
34	7XPS0013BK		LEFT MAIN OUTER COVER	1	97	7XC0039	10F13U59	NUCLEUS BOARD STANDOFF SCREW	1
35	7XPS0014BK		RIGHT MAIN OUTER COVER	1	98		2668BZDA06	M4X5 PAN HEAD SCREW	1
36	7XPS0020		ROLLING WHEEL ASSEMBLY (PAIR)	1	99		2668BZDA22	M5X6 PAN HEAD SCREW	1
37	7XPS0021LBK		LEFT SIDE STEP	1	100	7XC0040	10K73U52	SALUTRON BOARD BRACKET	1
38	7XPS0021RBK		RIGHT SIDE STEP	1	101	7XC0041	10F13U58	SALUTRON BOARD STANDOFF SCREW	1
39	7XPS0027		SHROUD STOP SET	1	102	7XC0014	10F13U34	SALUTRON BOARD	1
40	7XPS0031ABK	10J33876	UPPER COVER ASSEMBLY	1	103		26693R62	M2X4 PAN HEAD SCREW	1
41	7XPS0032		PEDESTAL COVER CAP SCREWS	1	104	7XPS0044BK	10J339P5	BOTTOM PEDESTAL COVER FRONT	1
42	7XC0006		SALUTRON GROUND WIRE	1	105	7XC0042	2707FBN108	PEDESTAL SCREW CLIP	1
43	7XC0007		NUCLEUS GROUND WIRE	1	106	7XCS0115	10F12V86	COAXIAL CONNECTOR	1
44	7XC0017		LEFT COMBO SALUTRON TO HRL	1	107	7XCS0116	10J338CZ	POWER SWITCH AND CONNECTOR	1
45	7XC0016		RIGHT COMBO SALUTRON TO HRR	1	108	7XCS0028	10E13018	LAN CONNECTOR 3018 - XCS400	1
46	7XC0002		NUCLEUS TO CONSOLE	1	109	7XC0094		PEDAL TUBE BEARING ROLLER ASSEMBLY	1
47	7XC0011		NUCLEUS TO CONSOLE	1	110	7PX0017	2571MNC332	KEY,PARALLEL XPSX 2571MNC332	1
48	7XC0010		SALUTRON TO NUCLEUS	1	111	75X0124	260822QV	M10X20 HEX DRIVE ROUNDED HEAD BOLT	1
49	7XCS0010	10J63DFA	DC POWER CABLE	1	112	75X0126	2001ZZ6005	BEARING, BALL 6005ZZ 2001ZZ6005	1
50	7XCS0009	10J63C4J	DC POWER CABLE PEDESTAL	1	113	75X0115	260121BA	M10X80 BOLT, HEX HEAD 260121BA	1
51	7XCS0016	10J63CEP	ETHERNET CABLE	1	114	75X0116	270122RR	NUT, HEX 270122RR	1
52	7XCS0017	10J63DPE	ETHERNET CABLE	1	115	7PX0130BK	10E12N1NN	KNOB, HANDLEBAR CHROME 10E12N1NN	1
53	7XCS0042	10J63C4F	VIDEO CABLE (COAXIAL)	1	116	7PX0131BK	10E12N1NP	COLLAR, HANDLEBAR CHROME 10E12N1NP	1
54	7XCS0044	10J63DPD	VIDEO CABLE (COAXIAL)	1	117	7XC0049	10E12N1GQ	UPPER EXERCISE ARM GRIP	1
55	7XCS0048	10F62URT	POWER INLET CABLE, WHITE	1	118	7XC0050	260425JZ	SET SCREW	1
56	7XCS0049	10F62URU	POWER INLET CABLE, BLACK	1	119		26023C89	M8X12 SOCKET HEAD SCREW	1
57	7XCS0030	10J63C4E	BRAKE GENERATOR CABLE	1	120	7XP0154	10C32DM4	FLAT WASHER ID- 10.2mm, OD- 35mm, thick: 2mm	1
58	7XCS0012	10J63C4H	DC POWER CABLE	1	121		2502AZC410	SPLIT LOCK WASHER M10, thick- 2.2 mm	1
59	7XCS0029	10J63C4D	BRAKE RESISTANCE WIRE	1	122	7PX0153	26012DVG	M10X20 BOLT, HEX HEAD 26012DVG	1
60	7XCS0043	10J63C4G	VIDEO CABLE (COAXIAL)	1	123	7XCS0101		POWER CABLE	1
61	7XCS0045	10J63C4A	WIRE HARNESS MAIN	1	124	7XCS0102	10J63C56	CHARGING PORT WIRE	1
62	7XCS0046	10J63C49	UPPER MAIN DATA CABLE	1	125	7XCS0129		HAND PULSE HARNESS, HANDLEBAR	1
63	7CX0079	26682RYH	M5X12 SCREW, CR RE PAN HEAD 26682RYH	1	126	7XCS0131		LOWER ETHERNET CABLE	1


7CX0122BK

ITEM NO.	TRUE PART #	Rexon Part #	DESCRIPTION	QTY.
1	7CX0122BK	10J33A2Y	NEW TRUE DECAL	1



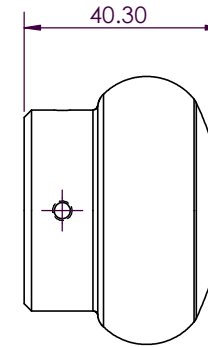
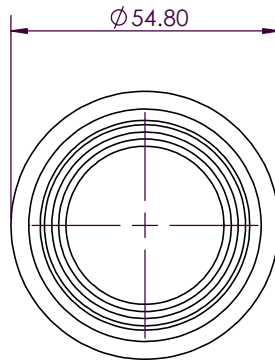
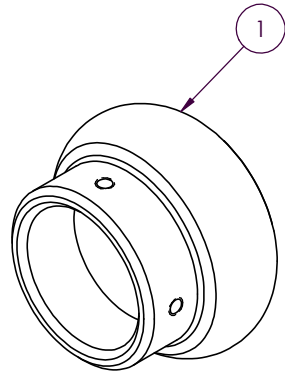
NOTE: ALL WEIGHTS AND DIMENSIONS ARE FOR REFERENCE ONLY

CONFIDENTIAL INFORMATION
 OF TRUE FITNESS TECHNOLOGY, INC., O'FALLON, MO. IT IS LOANED FOR CONFIDENTIAL USE. SUBJECT TO RETURN ON REQUEST, AND WITH THE MUTUAL UNDERSTANDING THAT IT WILL NOT BE USED IN ANY MANNER DETRIMENTAL TO THE INTERESTS OF TRUE FITNESS TECHNOLOGY, INC.

REV.	MCF#	DESCRIPTION	DATE	BY	APPRVL	TITLE	MATERIAL:	NOTES:	DRAWN BY	DATE	WEIGHT (KG)	DWG. SIZE	TRUE PART #:	REV.
						NEW TRUE DECAL	Vinyl				0.01Kg	A	7CX0122BK	
A	-	ORIGINAL RELEASE	-	-	-	BREAK ALL SHARP CORNERS & EDGES								
						UNLESS OTHERWISE SPECIFIED DIMENSIONS ARE IN MILLIMETERS								
						TOLERANCES UNLESS NOTED: DECIMALS: .X ±.787mm .XX ±.381mm .XXX ±.127mm ANGULAR ±1° HOLES ±.127mm DO NOT SCALE DRAWING								
														

7PX0130BK

ITEM NO.	TRUE PART #	Rexon Part #	DESCRIPTION	QTY.
1	7PX0130BK	10E12NNN	KNOB, HANDLEBAR CHROME 10E12NNN	1



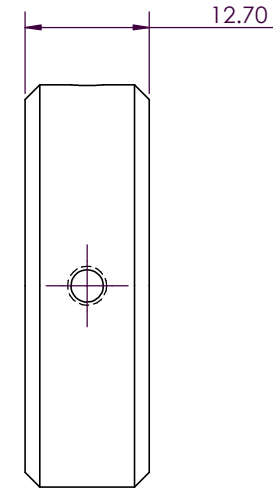
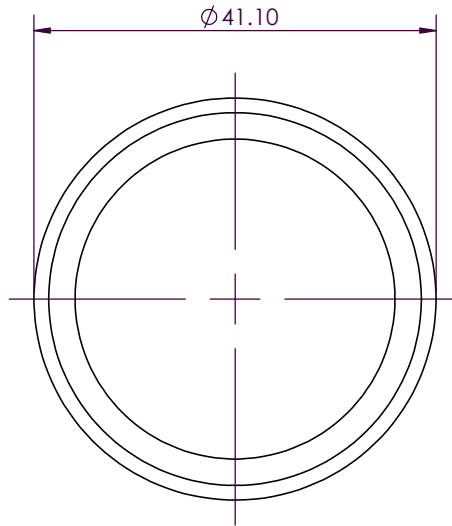
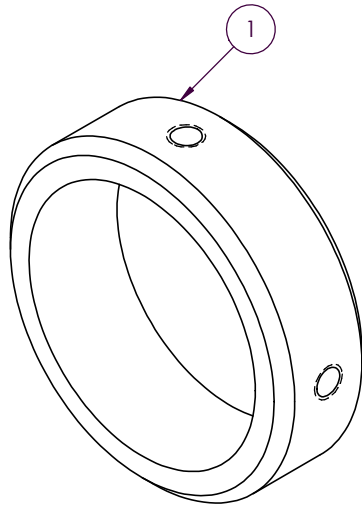
NOTE: ALL WEIGHTS AND DIMENSIONS ARE FOR REFERENCE ONLY

CONFIDENTIAL INFORMATION
 OF TRUE FITNESS TECHNOLOGY, INC., O'FALLON, MO. IT IS LOANED FOR CONFIDENTIAL USE. SUBJECT TO RETURN ON REQUEST, AND WITH THE MUTUAL UNDERSTANDING THAT IT WILL NOT BE USED IN ANY MANNER DETRIMENTAL TO THE INTERESTS OF TRUE FITNESS TECHNOLOGY, INC.

REV.	MCF#	DESCRIPTION	DATE	BY	APPRVL	TITLE	MATERIAL:	DATE	WEIGHT (KG)	DWG. SIZE	TRUE PART #:	REV.
						KNOB, HANDLEBAR CHROME 10E12NNN	Plain Carbon Steel					
						BREAK ALL SHARP CORNERS & EDGES						
						UNLESS OTHERWISE SPECIFIED DIMENSIONS ARE IN MILLIMETERS						
						TOLERANCES UNLESS NOTED: DECIMALS: .X ±.787mm .XX ±.381mm .XXX ±.127mm ANGULAR ±1° HOLES ±.127mm DO NOT SCALE DRAWING	NOTES:					
A	-	ORIGINAL RELEASE	-	-	-		DRAWN BY JCP	7/5/2018	0.42Kg	A	7PX0130BK	-

7PX0131BK

ITEM NO.	TRUE PART #	Rexon Part #	DESCRIPTION	QTY.
1	7PX0131BK	10E12NNP	COLLAR, HANDLEBAR CHROME 10E12NNP	1



NOTE: ALL WEIGHTS AND DIMENSIONS ARE FOR REFERENCE ONLY

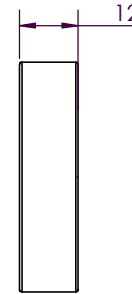
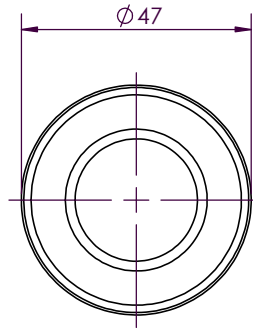
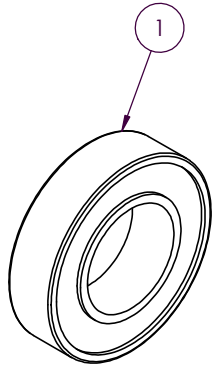
CONFIDENTIAL INFORMATION

OF TRUE FITNESS TECHNOLOGY, INC., O'FALLON, MO. IT IS LOANED FOR CONFIDENTIAL USE. SUBJECT TO RETURN ON REQUEST, AND WITH THE MUTUAL UNDERSTANDING THAT IT WILL NOT BE USED IN ANY MANNER DETRIMENTAL TO THE INTERESTS OF TRUE FITNESS TECHNOLOGY, INC.

REV.	MCF#	DESCRIPTION	DATE	BY	APPRVL	TITLE	MATERIAL:	DATE	WEIGHT (KG)	REV.
A	-	ORIGINAL RELEASE	-	-	-	COLLAR, HANDLEBAR CHROME 10E12NNP	Plain Carbon Steel	7/5/2018	0.05Kg	-
						BREAK ALL SHARP CORNERS & EDGES UNLESS OTHERWISE SPECIFIED DIMENSIONS ARE IN MILLIMETERS TOLERANCES UNLESS NOTED: DECIMALS: .X ±.787mm .XX ±.381mm .XXX ±.127mm ANGULAR ±1° HOLES ±.127mm DO NOT SCALE DRAWING	NOTES: DRAWN BY: JCP DATE: 7/5/2018 WEIGHT (KG): 0.05Kg			
						FITNESS TECHNOLOGY, INC. O'FALLON, MO. 63366	DWG. SIZE: A			TRUE PART #: 7PX0131BK

7SX0126

ITEM NO.	TRUE PART #	Rexon Part #	DESCRIPTION	QTY.
1	7SX0126	2001ZZ6005	BEARING, BALL 6005ZZ 2001ZZ6005	1



NOTE: ALL WEIGHTS AND DIMENSIONS ARE FOR REFERENCE ONLY

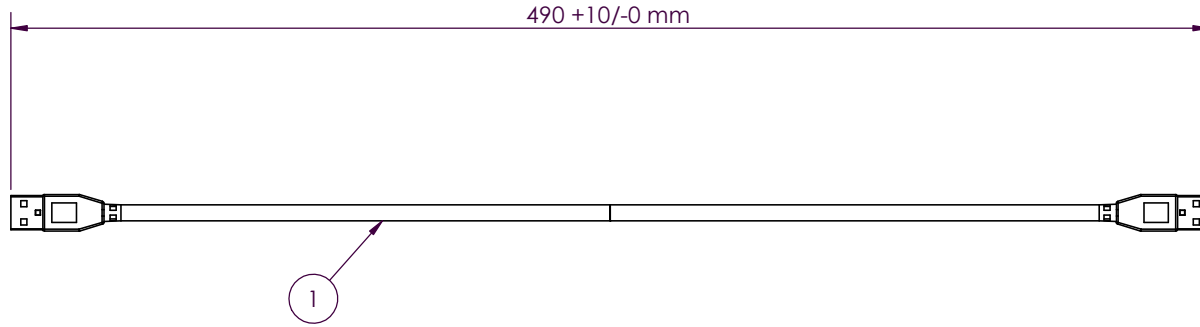
CONFIDENTIAL INFORMATION

OF TRUE FITNESS TECHNOLOGY, INC., O'FALLON, MO. IT IS LOANED FOR CONFIDENTIAL USE. SUBJECT TO RETURN ON REQUEST, AND WITH THE MUTUAL UNDERSTANDING THAT IT WILL NOT BE USED IN ANY MANNER DETRIMENTAL TO THE INTERESTS OF TRUE FITNESS TECHNOLOGY, INC.

REV.	MCF#	DESCRIPTION	DATE	BY	APPRVL	TITLE	MATERIAL:	DATE	WEIGHT (KG)	REV.
						BEARING, BALL 6005ZZ 2001ZZ6005	Plain Carbon Steel			
						BREAK ALL SHARP CORNERS & EDGES				
						UNLESS OTHERWISE SPECIFIED DIMENSIONS ARE IN MILLIMETERS				
						TOLERANCES UNLESS NOTED: DECIMALS: .X ±.787mm .XX ±.381mm .XXX ±.127mm ANGULAR ±1° HOLES ±.127mm DO NOT SCALE DRAWING				
A	-	ORIGINAL RELEASE	-	-	-			7/5/2018	0.10Kg	
							JCP			
							TRUE FITNESS TECHNOLOGY, INC. O'FALLON, MO. 63366	DWG. SIZE A	TRUE PART #: 7SX0126	-

7XC0002

ITEM NO.	PART NUMBER	REXON PART #	DESCRIPTION	QTY.
1	7XC0002		NUCLEUS TO CONSOLE	1



NOTE: ALL WEIGHTS AND DIMENSIONS ARE FOR REFERENCE ONLY

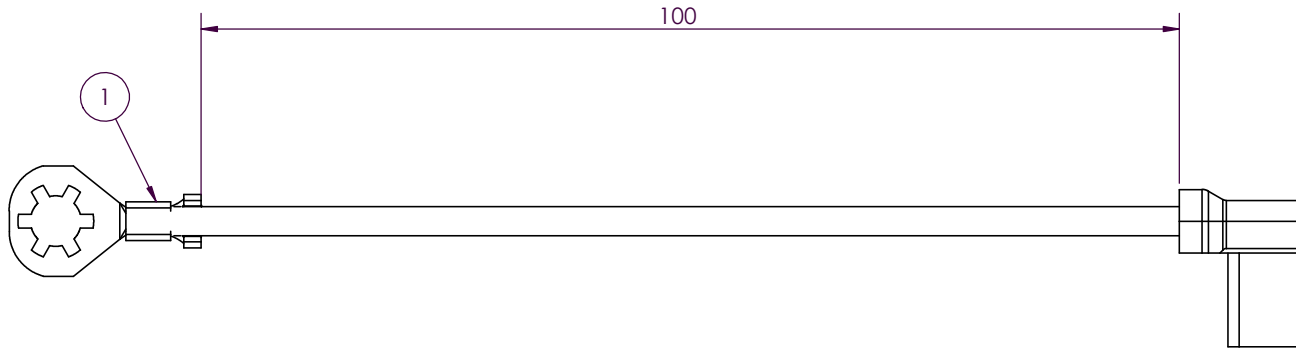
CONFIDENTIAL INFORMATION

OF TRUE FITNESS TECHNOLOGY, INC., O'FALLON, MO. IT IS LOANED FOR CONFIDENTIAL USE. SUBJECT TO RETURN ON REQUEST, AND WITH THE MUTUAL UNDERSTANDING THAT IT WILL NOT BE USED IN ANY MANNER DETRIMENTAL TO THE INTERESTS OF TRUE FITNESS TECHNOLOGY, INC.

REV.	MCF#	DESCRIPTION	DATE	BY	APPRVL	TITLE	MATERIAL:	NOTES:	DRAWN BY	DATE	WEIGHT (KG)	DWG. SIZE	TRUE PART #:	REV.
						NUCLEUS TO CONSOLE	Material <not specified>				0.18Kg	A	7XC0002	
A	-	ORIGINAL RELEASE	-	-	-	BREAK ALL SHARP CORNERS & EDGES								
						UNLESS OTHERWISE SPECIFIED DIMENSIONS ARE IN MILLIMETERS								
						TOLERANCES UNLESS NOTED: DECIMALS:								
						.X ±.787mm								
						.XX ±.381mm								
						.XXX ±.127mm								
						ANGULAR ±1°								
						HOLES ±.127mm								
						DO NOT SCALE DRAWING								

7XC0006

ITEM NO.	PART NUMBER	REXON PART #	DESCRIPTION	QTY.
1	7XC0006		SALUTRON GROUND WIRE	1



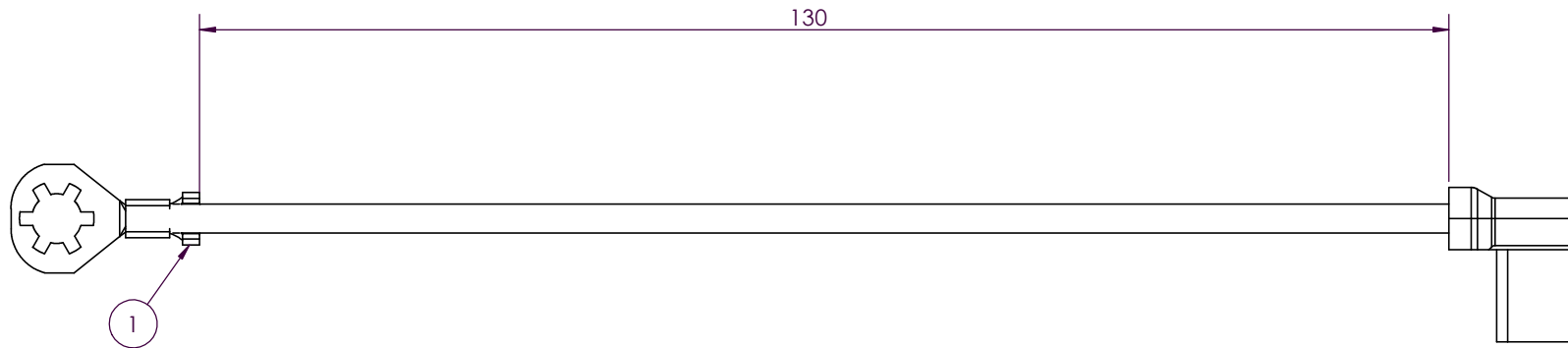
NOTE: ALL WEIGHTS AND DIMENSIONS ARE FOR REFERENCE ONLY

CONFIDENTIAL INFORMATION
 OF TRUE FITNESS TECHNOLOGY, INC., O'FALLON, MO. IT IS LOANED FOR CONFIDENTIAL USE. SUBJECT TO RETURN ON REQUEST, AND WITH THE MUTUAL UNDERSTANDING THAT IT WILL NOT BE USED IN ANY MANNER DETRIMENTAL TO THE INTERESTS OF TRUE FITNESS TECHNOLOGY, INC.

REV.	MCF#	DESCRIPTION	DATE	BY	APPRVL	TITLE	MATERIAL:	NOTES:	DRAWN BY	DATE	WEIGHT (KG)	DWG. SIZE	TRUE PART #:	REV.
						SALUTRON GROUND WIRE	Material <not specified>				0.01Kg	A	7XC0006	
A	-	ORIGINAL RELEASE	-	-	-	BREAK ALL SHARP CORNERS & EDGES								
						UNLESS OTHERWISE SPECIFIED DIMENSIONS ARE IN MILLIMETERS								
						TOLERANCES UNLESS NOTED: DECIMALS: .X ±.787mm .XX ±.381mm .XXX ±.127mm ANGULAR ±1° HOLES ±.127mm DO NOT SCALE DRAWING								

7XC0007

ITEM NO.	PART NUMBER	REXON PART #	DESCRIPTION	QTY.
1	7XC0007		NUCLEUS GROUND WIRE	1



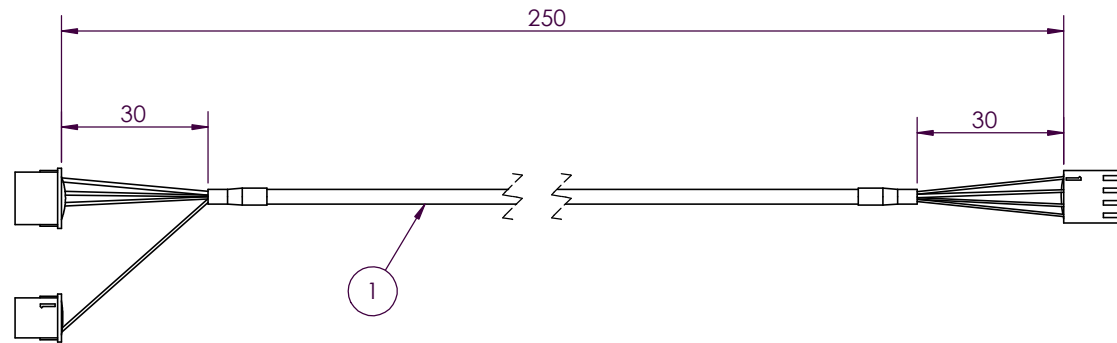
NOTE: ALL WEIGHTS AND DIMENSIONS ARE FOR REFERENCE ONLY

CONFIDENTIAL INFORMATION
 OF TRUE FITNESS TECHNOLOGY, INC., O'FALLON, MO. IT IS LOANED FOR CONFIDENTIAL USE. SUBJECT TO RETURN ON REQUEST, AND WITH THE MUTUAL UNDERSTANDING THAT IT WILL NOT BE USED IN ANY MANNER DETRIMENTAL TO THE INTERESTS OF TRUE FITNESS TECHNOLOGY, INC.

REV.	MCF#	DESCRIPTION	DATE	BY	APPRVL	TITLE	MATERIAL:	NOTES:	DRAWN BY	DATE	WEIGHT (KG)	DWG. SIZE	TRUE PART #:	REV.
						NUCLEUS GROUND WIRE	Material <not specified>				0.01Kg	A	7XC0007	
A	-	ORIGINAL RELEASE	-	-	-	BREAK ALL SHARP CORNERS & EDGES								
						UNLESS OTHERWISE SPECIFIED DIMENSIONS ARE IN MILLIMETERS								
						TOLERANCES UNLESS NOTED: DECIMALS: .X ±.787mm .XX ±.381mm .XXX ±.127mm ANGULAR ±1° HOLES ±.127mm DO NOT SCALE DRAWING								

7XC0010

ITEM NO.	PART NUMBER	REXON PART #	DESCRIPTION	QTY.
1	7XC0010		SALUTRON TO NUCLEUS	1



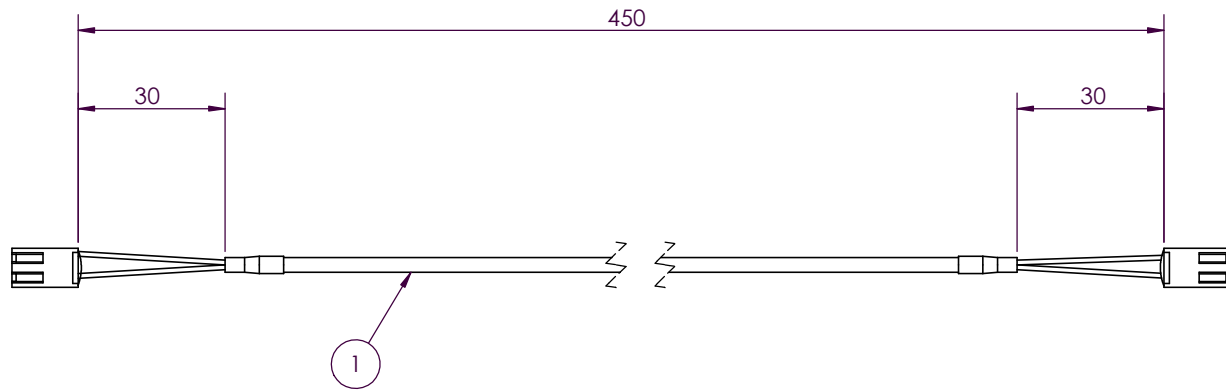
NOTE: ALL WEIGHTS AND DIMENSIONS ARE FOR REFERENCE ONLY

CONFIDENTIAL INFORMATION
 OF TRUE FITNESS TECHNOLOGY, INC., O'FALLON, MO. IT IS LOANED FOR CONFIDENTIAL USE. SUBJECT TO RETURN ON REQUEST, AND WITH THE MUTUAL UNDERSTANDING THAT IT WILL NOT BE USED IN ANY MANNER DETRIMENTAL TO THE INTERESTS OF TRUE FITNESS TECHNOLOGY, INC.

REV.	MCF#	DESCRIPTION	DATE	BY	APPRVL	TITLE	MATERIAL:	NOTES:	DRAWN BY	DATE	WEIGHT (KG)	DWG. SIZE	TRUE PART #:	REV.
						SALUTRON TO NUCLEUS	Material <not specified>				0.01Kg	A	7XC0010	
A	-	ORIGINAL RELEASE	-	-	-	BREAK ALL SHARP CORNERS & EDGES								
						UNLESS OTHERWISE SPECIFIED DIMENSIONS ARE IN MILLIMETERS								
						TOLERANCES UNLESS NOTED: DECIMALS: .X ±.787mm .XX ±.381mm .XXX ±.127mm ANGULAR ±1° HOLES ±.127mm								
						DO NOT SCALE DRAWING								

7XC0011

ITEM NO.	PART NUMBER	REXON PART #	DESCRIPTION	QTY.
1	XCS400-N-CA-PWDC-01		NUCLEUS TO CONSOLE	1



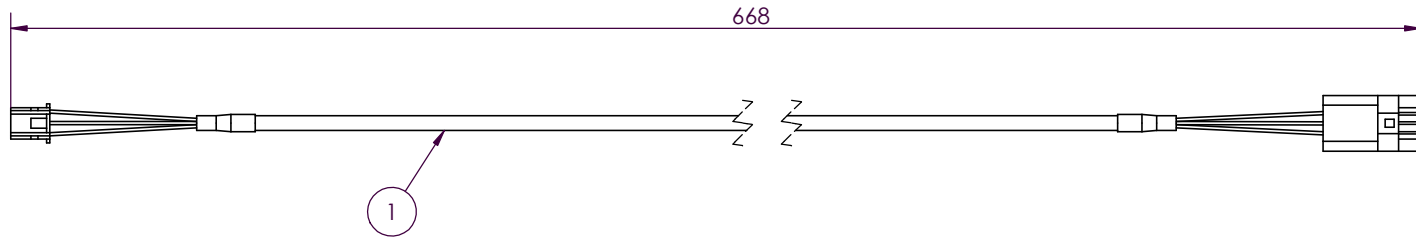
NOTE: ALL WEIGHTS AND DIMENSIONS ARE FOR REFERENCE ONLY

CONFIDENTIAL INFORMATION
 OF TRUE FITNESS TECHNOLOGY, INC., O'FALLON, MO. IT IS LOANED FOR CONFIDENTIAL USE. SUBJECT TO RETURN ON REQUEST, AND WITH THE MUTUAL UNDERSTANDING THAT IT WILL NOT BE USED IN ANY MANNER DETRIMENTAL TO THE INTERESTS OF TRUE FITNESS TECHNOLOGY, INC.

REV.	MCF#	DESCRIPTION	DATE	BY	APPRVL	TITLE	MATERIAL:	NOTES:	DRAWN BY	DATE	WEIGHT (KG)	DWG. SIZE	TRUE PART #:	REV.
						NUCLEUS TO CONSOLE	Material <not specified>				0.03Kg	A	7XC0011	
A	-	ORIGINAL RELEASE	-	-	-	BREAK ALL SHARP CORNERS & EDGES								
						UNLESS OTHERWISE SPECIFIED DIMENSIONS ARE IN MILLIMETERS								
						TOLERANCES UNLESS NOTED: DECIMALS: .X ±.787mm .XX ±.381mm .XXX ±.127mm ANGULAR ±1° HOLES ±.127mm								
						DO NOT SCALE DRAWING								

7XC0012

ITEM NO.	TRUE PART #	REXON PART #	DESCRIPTION	QTY.
1	7XC0012		FAN CABLE	1



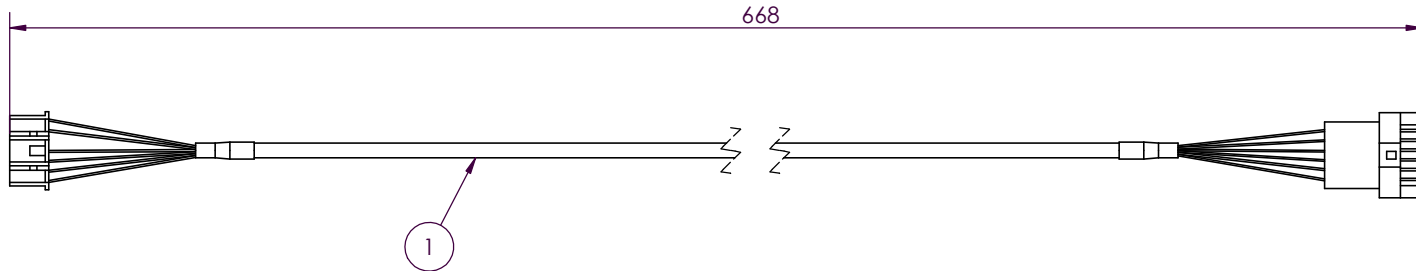
NOTE: ALL WEIGHTS AND DIMENSIONS ARE FOR REFERENCE ONLY

CONFIDENTIAL INFORMATION
 OF TRUE FITNESS TECHNOLOGY, INC., O'FALLON, MO. IT IS LOANED FOR CONFIDENTIAL USE. SUBJECT TO RETURN ON REQUEST, AND WITH THE MUTUAL UNDERSTANDING THAT IT WILL NOT BE USED IN ANY MANNER DETRIMENTAL TO THE INTERESTS OF TRUE FITNESS TECHNOLOGY, INC.

REV.	MCF#	DESCRIPTION	DATE	BY	APPRVL	TITLE	MATERIAL:	NOTES:	DRAWN BY	DATE	WEIGHT (KG)	DWG. SIZE	TRUE PART #:	REV.
						FAN CABLE	Material <not specified>				0.04Kg	A	7XC0012	
A	-	ORIGINAL RELEASE	-	-	-	BREAK ALL SHARP CORNERS & EDGES								
						UNLESS OTHERWISE SPECIFIED DIMENSIONS ARE IN MILLIMETERS								
						TOLERANCES UNLESS NOTED: DECIMALS: .X ±.787mm .XX ±.381mm .XXX ±.127mm ANGULAR ±1° HOLES ±.127mm								
						DO NOT SCALE DRAWING								
						FITNESS TECHNOLOGY, INC. O'FALLON, MO. 63366								

7XC0013

ITEM NO.	TRUE PART #	REXON PART #	DESCRIPTION	QTY.
1	7XC0013		C-SAFE CABLE	1



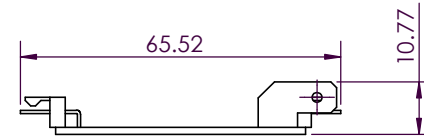
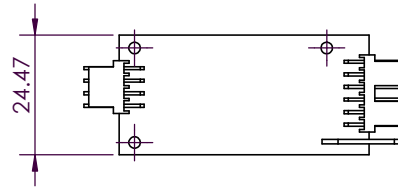
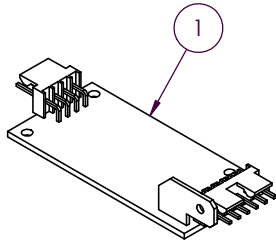
NOTE: ALL WEIGHTS AND DIMENSIONS ARE FOR REFERENCE ONLY

CONFIDENTIAL INFORMATION
 OF TRUE FITNESS TECHNOLOGY, INC., O'FALLON, MO. IT IS LOANED FOR
 CONFIDENTIAL USE. SUBJECT TO RETURN ON REQUEST, AND WITH THE
 MUTUAL UNDERSTANDING THAT IT WILL NOT BE USED IN ANY MANNER
 DETRIMENTAL TO THE INTERESTS OF TRUE FITNESS TECHNOLOGY, INC.

REV.	MCF#	DESCRIPTION	DATE	BY	APPRVL	TITLE	MATERIAL:	DATE	WEIGHT (KG)	DWG. SIZE	TRUE PART #:	REV.
						C-SAFE CABLE	Material <not specified>		0.04Kg	A	7XC0013	
A	-	ORIGINAL RELEASE	-	-	-	BREAK ALL SHARP CORNERS & EDGES						
						UNLESS OTHERWISE SPECIFIED DIMENSIONS ARE IN MILLIMETERS						
						TOLERANCES UNLESS NOTED: DECIMALS:						
						.X ±.787mm						
						.XX ±.381mm						
						.XXX ±.127mm						
						ANGULAR ±1°						
						HOLES ±.127mm						
						DO NOT SCALE DRAWING						
						FITNESS TECHNOLOGY, INC. O'FALLON, MO. 63366						

7XC0014

ITEM NO.	TRUE PART #	Rexon Part #	DESCRIPTION	QTY.
1	7XC0014	10F13U34	SALUTRON BOARD	1



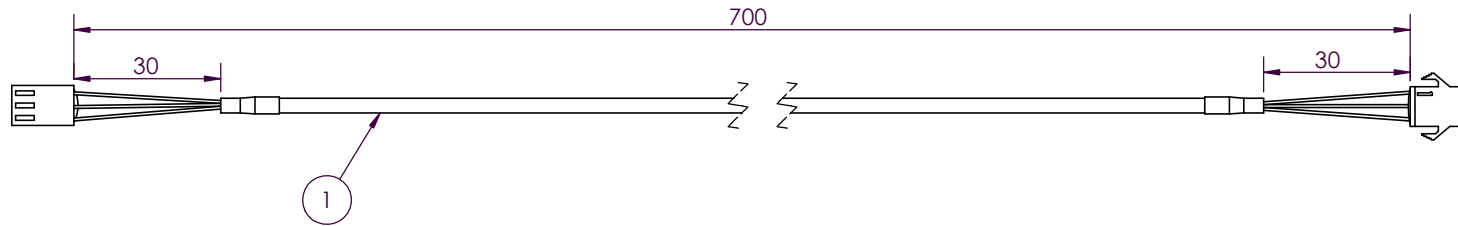
NOTE: ALL WEIGHTS AND DIMENSIONS ARE FOR REFERENCE ONLY

CONFIDENTIAL INFORMATION
 OF TRUE FITNESS TECHNOLOGY, INC., O'FALLON, MO. IT IS LOANED FOR CONFIDENTIAL USE. SUBJECT TO RETURN ON REQUEST, AND WITH THE MUTUAL UNDERSTANDING THAT IT WILL NOT BE USED IN ANY MANNER DETRIMENTAL TO THE INTERESTS OF TRUE FITNESS TECHNOLOGY, INC.

REV.	MCF#	DESCRIPTION	DATE	BY	APPRVL	TITLE	MATERIAL:	DATE	WEIGHT (KG)	REV.
						SALUTRON BOARD	Plain Carbon Steel			
						BREAK ALL SHARP CORNERS & EDGES				
						UNLESS OTHERWISE SPECIFIED DIMENSIONS ARE IN MILLIMETERS				
						TOLERANCES UNLESS NOTED: DECIMALS: .X ±.787mm .XX ±.381mm .XXX ±.127mm ANGULAR ±1° HOLES ±.127mm DO NOT SCALE DRAWING	NOTES:			
A	-	ORIGINAL RELEASE	-	-	-		DRAWN BY JCP	7/5/2018	0.02Kg	
							TRUE FITNESS TECHNOLOGY, INC. O'FALLON, MO. 63366	DWG. SIZE A	TRUE PART #: 7XC0014	-

7XC0016

ITEM NO.	PART NUMBER	REXON PART #	DESCRIPTION	QTY.
1	7XC0016		RIGHT COMBO SALUTRON TO HRR	1



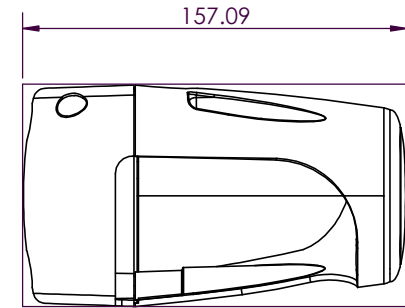
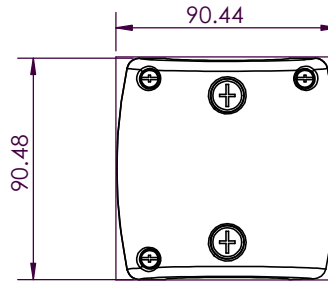
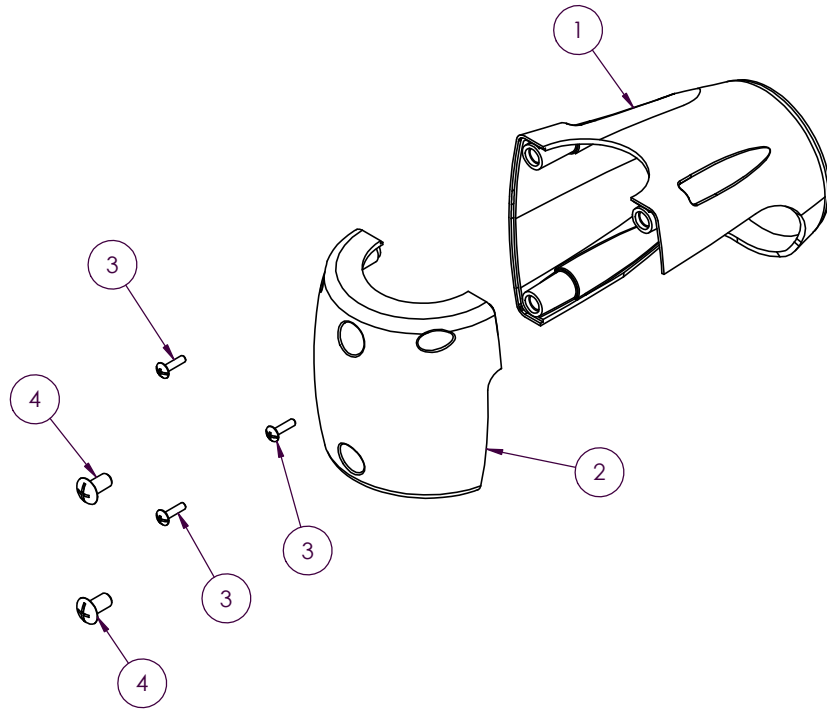
NOTE: ALL WEIGHTS AND DIMENSIONS ARE FOR REFERENCE ONLY

CONFIDENTIAL INFORMATION
 OF TRUE FITNESS TECHNOLOGY, INC., O'FALLON, MO. IT IS LOANED FOR CONFIDENTIAL USE. SUBJECT TO RETURN ON REQUEST, AND WITH THE MUTUAL UNDERSTANDING THAT IT WILL NOT BE USED IN ANY MANNER DETRIMENTAL TO THE INTERESTS OF TRUE FITNESS TECHNOLOGY, INC.

REV.	MCF#	DESCRIPTION	DATE	BY	APPRVL	TITLE	MATERIAL:	DATE	WEIGHT (KG)	DWG. SIZE	TRUE PART #:	REV.
						RIGHT COMBO SALUTRON TO HRR	Material <not specified>		0.04Kg	A	7XC0016	
A	-	ORIGINAL RELEASE	-	-	-	BREAK ALL SHARP CORNERS & EDGES						
						UNLESS OTHERWISE SPECIFIED DIMENSIONS ARE IN MILLIMETERS						
						TOLERANCES UNLESS NOTED: DECIMALS: .X ±.787mm .XX ±.381mm .XXX ±.127mm ANGULAR ±1° HOLES ±.127mm						
						DO NOT SCALE DRAWING						

7XC0027BK

ITEM NO.	PART NUMBER	Rexon Part #	DESCRIPTION	QTY.
1	7CE90175BK	10E12N7B	RIGHT OUTER LINKAGE PIVOT COVER	1
2	7CE90174BK	10E12N7A	RIGHT INNER LINKAGE PIVOT COVER	1
3	7CX0102	26342RYG	M3X12 PHILLIPS ROUNDED HEAD SCREW	3
4	7SX0004	2634BFDA24	SCREW, CR.-RE. TRUSS HD. 2634BFDA24	2



NOTE: ALL WEIGHTS AND DIMENSIONS ARE FOR REFERENCE ONLY

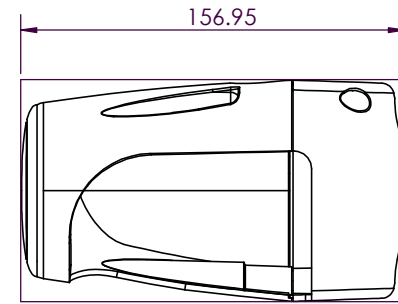
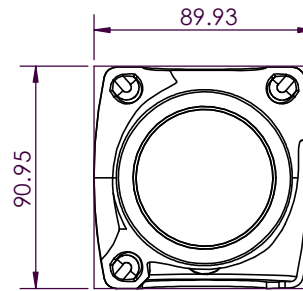
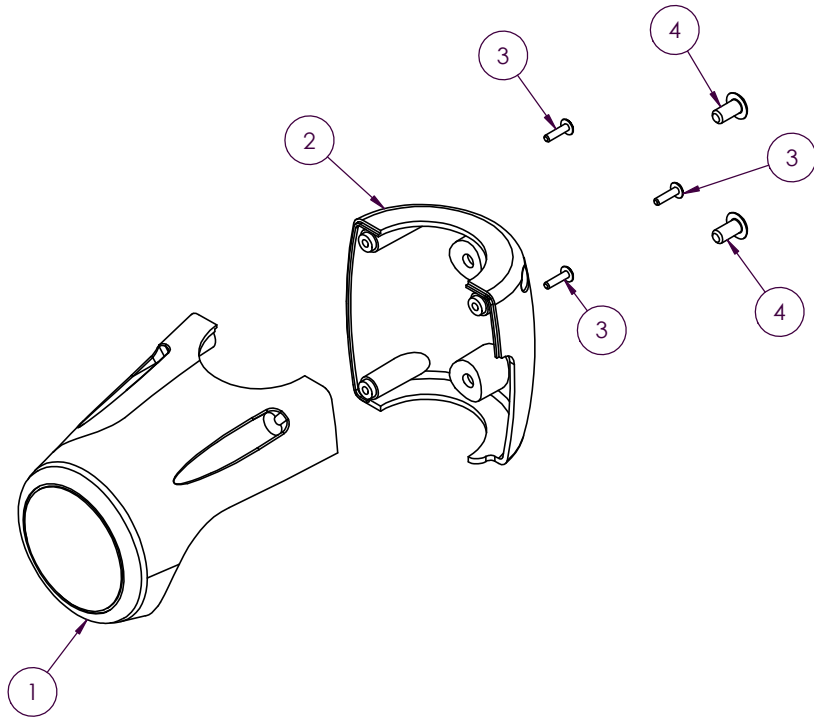
CONFIDENTIAL INFORMATION

OF TRUE FITNESS TECHNOLOGY, INC., O'FALLON, MO. IT IS LOANED FOR CONFIDENTIAL USE. SUBJECT TO RETURN ON REQUEST, AND WITH THE MUTUAL UNDERSTANDING THAT IT WILL NOT BE USED IN ANY MANNER DETRIMENTAL TO THE INTERESTS OF TRUE FITNESS TECHNOLOGY, INC.

REV.	MCF#	DESCRIPTION	DATE	BY	APPRVL	TITLE	MATERIAL:	DATE	WEIGHT (KG)	DWG. SIZE	TRUE PART #:	REV.
A	-	ORIGINAL RELEASE	-	-	-	RIGHT LINKAGE PIVOT ASSEMBLY	Material <not specified>		0.12Kg	A	7XC0027BK	0
						BREAK ALL SHARP CORNERS & EDGES						
						UNLESS OTHERWISE SPECIFIED DIMENSIONS ARE IN MILLIMETERS						
						TOLERANCES UNLESS NOTED: DECIMALS: .X ±.787mm .XX ±.381mm .XXX ±.127mm ANGULAR ±1° HOLES ±.127mm DO NOT SCALE DRAWING						
						NOTES:						
						DRAWN BY	JCP					

7XC0028BK

ITEM NO.	PART NUMBER	Rexon Part #	DESCRIPTION	QTY.
1	7CE90172BK	10E12NKV	LEFT OUTER LINKAGE PIVOT COVER	1
2	7CE90173BK	10E12NKU	LEFT INNER LINKAGE PIVOT COVER	1
3	7CX0102	26342RYG	M3X12 PHILLIPS ROUNDED HEAD SCREW	3
4	7SX0004	2634BFDA24	SCREW, CR.-RE. TRUSS HD. 2634BFDA24	2



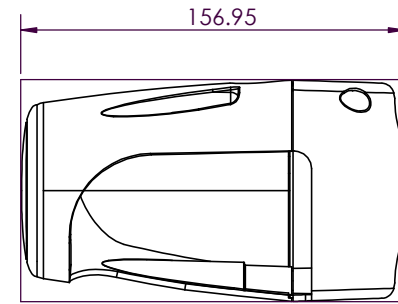
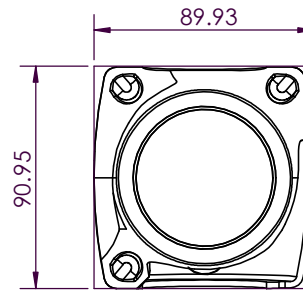
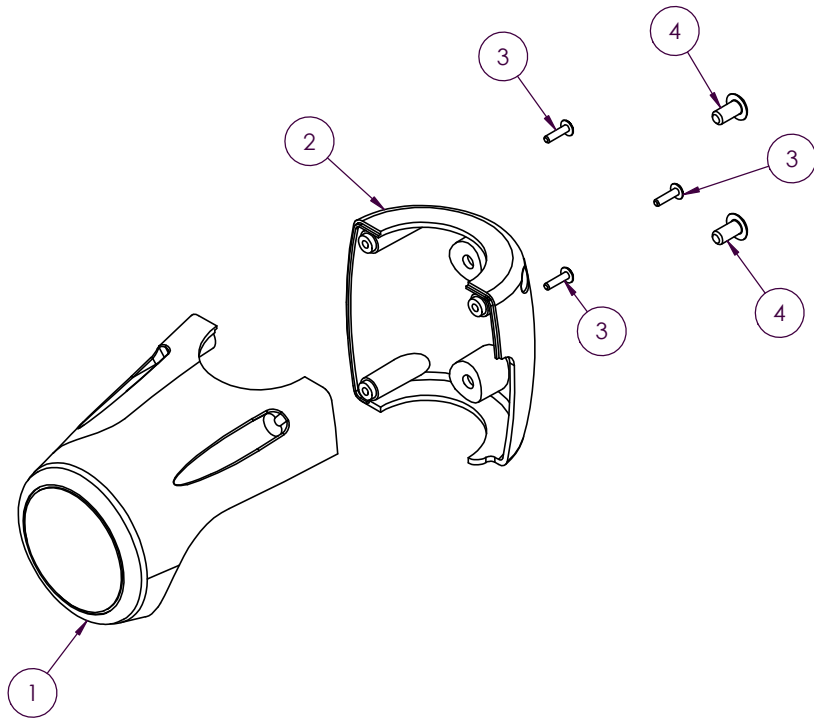
NOTE: ALL WEIGHTS AND DIMENSIONS ARE FOR REFERENCE ONLY

CONFIDENTIAL INFORMATION
 OF TRUE FITNESS TECHNOLOGY, INC., O'FALLON, MO. IT IS LOANED FOR CONFIDENTIAL USE. SUBJECT TO RETURN ON REQUEST, AND WITH THE MUTUAL UNDERSTANDING THAT IT WILL NOT BE USED IN ANY MANNER DETRIMENTAL TO THE INTERESTS OF TRUE FITNESS TECHNOLOGY, INC.

REV.	MCF#	DESCRIPTION	DATE	BY	APPRVL	TITLE	MATERIAL:	DATE	WEIGHT (KG)	DWG. SIZE	TRUE PART #:	REV.
A	-	ORIGINAL RELEASE	-	-	-	LEFT LINKAGE PIVOT ASSEMBLY	Material <not specified>		0.12Kg	A	7XC0028BK	0
						BREAK ALL SHARP CORNERS & EDGES						
						UNLESS OTHERWISE SPECIFIED DIMENSIONS ARE IN MILLIMETERS						
						TOLERANCES UNLESS NOTED: DECIMALS: .X ±.787mm .XX ±.381mm .XXX ±.127mm ANGULAR ±1° HOLES ±.127mm DO NOT SCALE DRAWING						
						NOTES:						
						DRAWN BY	JCP					

7XC0028BK

ITEM NO.	TRUE PART #	Rexon Part #	DESCRIPTION	QTY.
1	7CE90172BK	10E12NKV	LEFT OUTER LINKAGE PIVOT COVER	1
2	7CE90173BK	10E12NKU	LEFT INNER LINKAGE PIVOT COVER	1
3	7CX0102	26342RYG	M3X12 PHILLIPS ROUNDED HEAD SCREW	3
4	7SX0004	2634BFDA24	SCREW, CR.-RE. TRUSS HD. 2634BFDA24	2



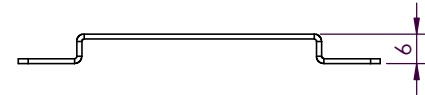
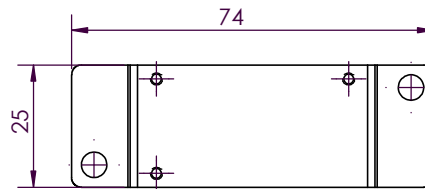
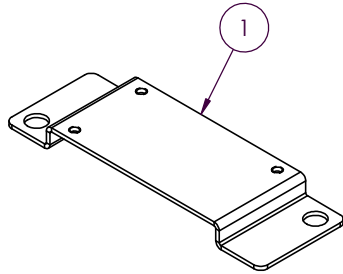
NOTE: ALL WEIGHTS AND DIMENSIONS ARE FOR REFERENCE ONLY

CONFIDENTIAL INFORMATION
 OF TRUE FITNESS TECHNOLOGY, INC., O'FALLON, MO. IT IS LOANED FOR CONFIDENTIAL USE. SUBJECT TO RETURN ON REQUEST, AND WITH THE MUTUAL UNDERSTANDING THAT IT WILL NOT BE USED IN ANY MANNER DETRIMENTAL TO THE INTERESTS OF TRUE FITNESS TECHNOLOGY, INC.

REV.	MCF#	DESCRIPTION	DATE	BY	APPRVL	TITLE	MATERIAL:	WEIGHT (KG)	REV.
A	-	ORIGINAL RELEASE	-	-	-	LEFT LINKAGE PIVOT ASSEMBLY	Material <not specified>	0.12Kg	0
						BREAK ALL SHARP CORNERS & EDGES UNLESS OTHERWISE SPECIFIED DIMENSIONS ARE IN MILLIMETERS TOLERANCES UNLESS NOTED: DECIMALS: .X ±.787mm .XX ±.381mm .XXX ±.127mm ANGULAR ±1° HOLES ±.127mm DO NOT SCALE DRAWING	NOTES: DRAWN BY: JCP DATE: TRUE FITNESS TECHNOLOGY, INC. O'FALLON, MO. 63366	DWG. SIZE: A TRUE PART #: 7XC0028BK	

7XC0040

ITEM NO.	TRUE PART #	Rexon Part #	DESCRIPTION	QTY.
1	7XC0040	10K73U52	SALUTRON BOARD BRACKET	1



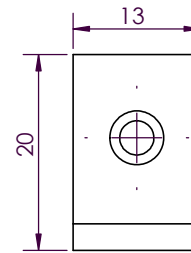
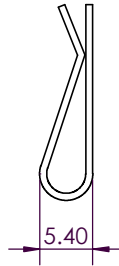
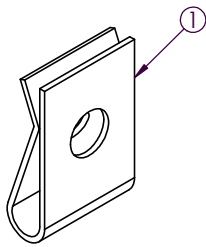
NOTE: ALL WEIGHTS AND DIMENSIONS ARE FOR REFERENCE ONLY

CONFIDENTIAL INFORMATION
 OF TRUE FITNESS TECHNOLOGY, INC., O'FALLON, MO. IT IS LOANED FOR CONFIDENTIAL USE. SUBJECT TO RETURN ON REQUEST, AND WITH THE MUTUAL UNDERSTANDING THAT IT WILL NOT BE USED IN ANY MANNER DETRIMENTAL TO THE INTERESTS OF TRUE FITNESS TECHNOLOGY, INC.

REV.	MCF#	DESCRIPTION	DATE	BY	APPRVL	TITLE	MATERIAL:	DATE	WEIGHT (KG)	REV.
						SALUTRON BOARD BRACKET	Plain Carbon Steel			
						BREAK ALL SHARP CORNERS & EDGES				
						UNLESS OTHERWISE SPECIFIED DIMENSIONS ARE IN MILLIMETERS				
						TOLERANCES UNLESS NOTED: DECIMALS: .X ±.787mm .XX ±.381mm .XXX ±.127mm ANGULAR ±1° HOLES ±.127mm DO NOT SCALE DRAWING	NOTES:			
A	-	ORIGINAL RELEASE	-	-	-		DRAWN BY JCP	7/5/2018	0.02Kg	
							TRUE FITNESS TECHNOLOGY, INC. O'FALLON, MO. 63366	DWG. SIZE A	TRUE PART #: 7XC0040	-

7XC0042

ITEM NO.	TRUE PART #	Rexon Part #	DESCRIPTION	QTY.
1	7XC0042	2707FBN108	PEDESTAL SCREW CLIP	1



NOTE: ALL WEIGHTS AND DIMENSIONS ARE FOR REFERENCE ONLY

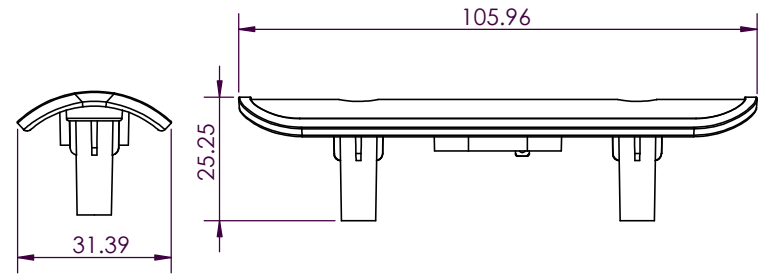
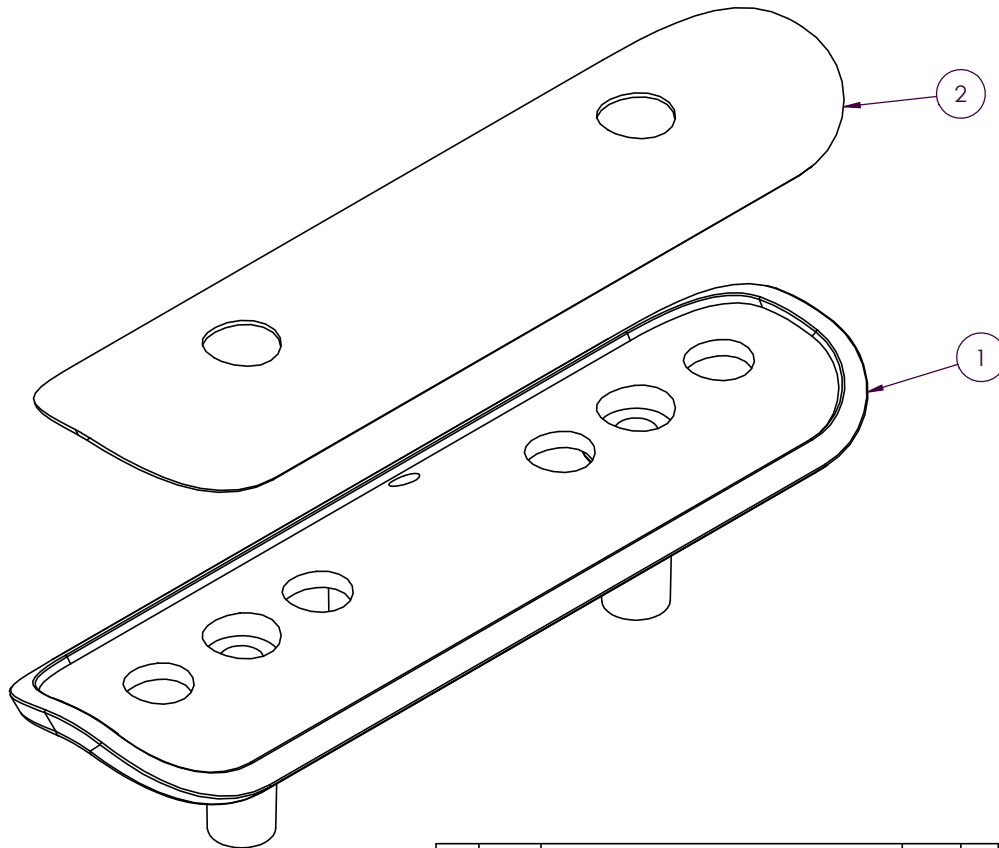
CONFIDENTIAL INFORMATION

OF TRUE FITNESS TECHNOLOGY, INC., O'FALLON, MO. IT IS LOANED FOR CONFIDENTIAL USE. SUBJECT TO RETURN ON REQUEST, AND WITH THE MUTUAL UNDERSTANDING THAT IT WILL NOT BE USED IN ANY MANNER DETRIMENTAL TO THE INTERESTS OF TRUE FITNESS TECHNOLOGY, INC.

REV.	MCF#	DESCRIPTION	DATE	BY	APPRVL	TITLE	MATERIAL:	DATE	WEIGHT (KG)	DWG. SIZE	TRUE PART #:	REV.
						PEDESTAL SCREW CLIP	Plain Carbon Steel					
						BREAK ALL SHARP CORNERS & EDGES						
						UNLESS OTHERWISE SPECIFIED DIMENSIONS ARE IN MILLIMETERS	NOTES:					
						TOLERANCES UNLESS NOTED: DECIMALS: .X ±.787mm .XX ±.381mm .XXX ±.127mm ANGULAR ±1° HOLES ±.127mm DO NOT SCALE DRAWING	DRAWN BY JCP	7/5/2018	0.00Kg	A	7XC0042	-
A	-	ORIGINAL RELEASE	-	-	-							

7XC0046


ITEM NO.	PART NUMBER	Rexon Part #	DESCRIPTION	QTY.
1	7XC0083	10J339P1-1	BOTTOM PULSE SENSOR PLASTIC FRAME	1
2	7XC0084	10J339P2	METAL BOTTOM HAND PULSE SENSOR	1



NOTE: ALL WEIGHTS AND DIMENSIONS ARE FOR REFERENCE ONLY

CONFIDENTIAL INFORMATION
 OF TRUE FITNESS TECHNOLOGY, INC. O'FALLON, MO. IT IS LOANED FOR CONFIDENTIAL USE. SUBJECT TO RETURN ON REQUEST, AND WITH THE MUTUAL UNDERSTANDING THAT IT WILL NOT BE USED IN ANY MANNER DETRIMENTAL TO THE INTERESTS OF TRUE FITNESS TECHNOLOGY, INC.

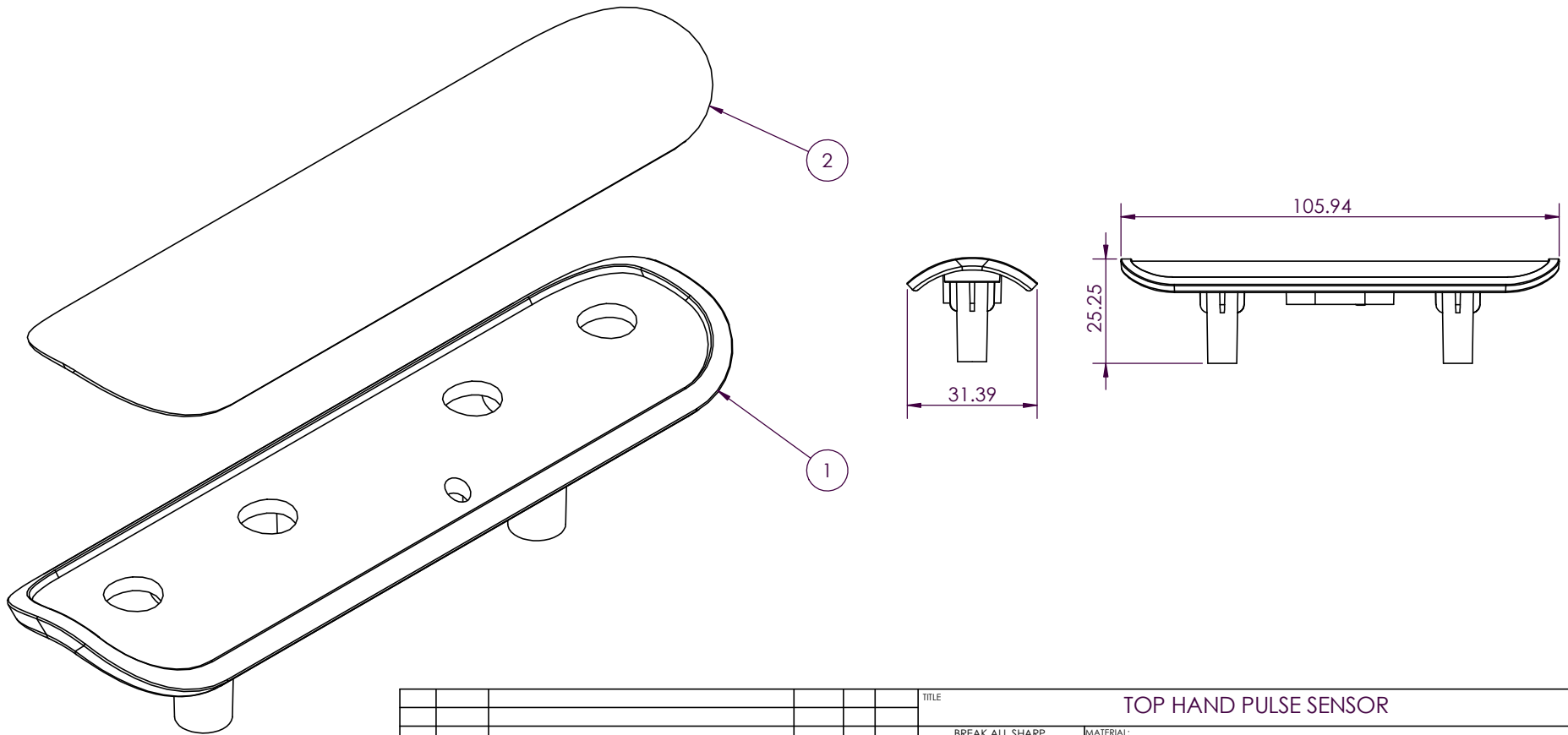
REV.	MCF#	DESCRIPTION	DATE	BY	APPRVL
A	-	ORIGINAL RELEASE	-	-	-

TITLE			
BOTTOM HAND PULSE SENSOR			
MATERIAL:		Material <not specified>	
NOTES:			
DRAWN BY		DATE	WEIGHT (KG)
JCP			0.08Kg
 FITNESS TECHNOLOGY, INC. O'FALLON, MO. 63366		DWG. SIZE	REV.
A		TRUE PART #:	0
		7XC0046	

BREAK ALL SHARP CORNERS & EDGES
 UNLESS OTHERWISE SPECIFIED DIMENSIONS ARE IN MILLIMETERS
 TOLERANCES UNLESS NOTED:
 DECIMALS:
 .X ±.787mm
 .XX ±.381mm
 .XXX ±.127mm
 ANGULAR ±1°
 HOLES ±.127mm
 DO NOT SCALE DRAWING

7XC0047

ITEM NO.	PART NUMBER	Rexon Part #	DESCRIPTION	QTY.
1	7XC0085	10J339NZ-1	TOP PULSE SENSOR PLASTIC FRAME	1
2	7XC0086	10J339P0	METAL TOP HAND PULSE SENSOR	1



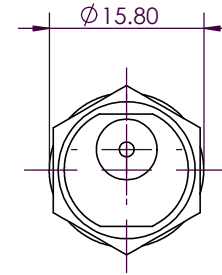
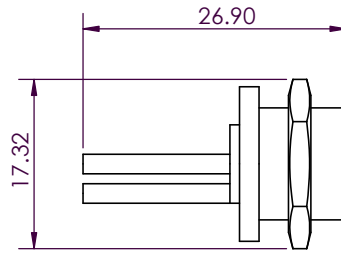
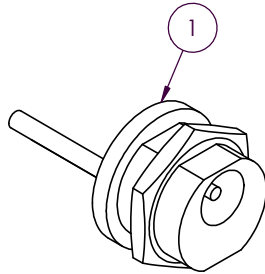
NOTE: ALL WEIGHTS AND DIMENSIONS ARE FOR REFERENCE ONLY

CONFIDENTIAL INFORMATION
 OF TRUE FITNESS TECHNOLOGY, INC., O'FALLON, MO. IT IS LOANED FOR CONFIDENTIAL USE. SUBJECT TO RETURN ON REQUEST, AND WITH THE MUTUAL UNDERSTANDING THAT IT WILL NOT BE USED IN ANY MANNER DETRIMENTAL TO THE INTERESTS OF TRUE FITNESS TECHNOLOGY, INC.

REV.	MCF#	DESCRIPTION	DATE	BY	APPRVL	TITLE	MATERIAL:	DATE	WEIGHT (KG)	DWG. SIZE	TRUE PART #:	REV.
A	-	ORIGINAL RELEASE	-	-	-	TOP HAND PULSE SENSOR	Material <not specified>		0.09Kg	A	7XC0047	0
						BREAK ALL SHARP CORNERS & EDGES UNLESS OTHERWISE SPECIFIED DIMENSIONS ARE IN MILLIMETERS TOLERANCES UNLESS NOTED: DECIMALS: .X ±.787mm .XX ±.381mm .XXX ±.127mm ANGULAR ±1° HOLES ±.127mm DO NOT SCALE DRAWING	NOTES: DRAWN BY: JCP FITNESS TECHNOLOGY, INC. O'FALLON, MO. 63366					

7XC0052

ITEM NO.	TRUE PART #	Rexon Part #	DESCRIPTION	QTY.
1	7XC0052	10C82HLD	XC400 CHARGING PORT	1



NOTE: ALL WEIGHTS AND DIMENSIONS ARE FOR REFERENCE ONLY

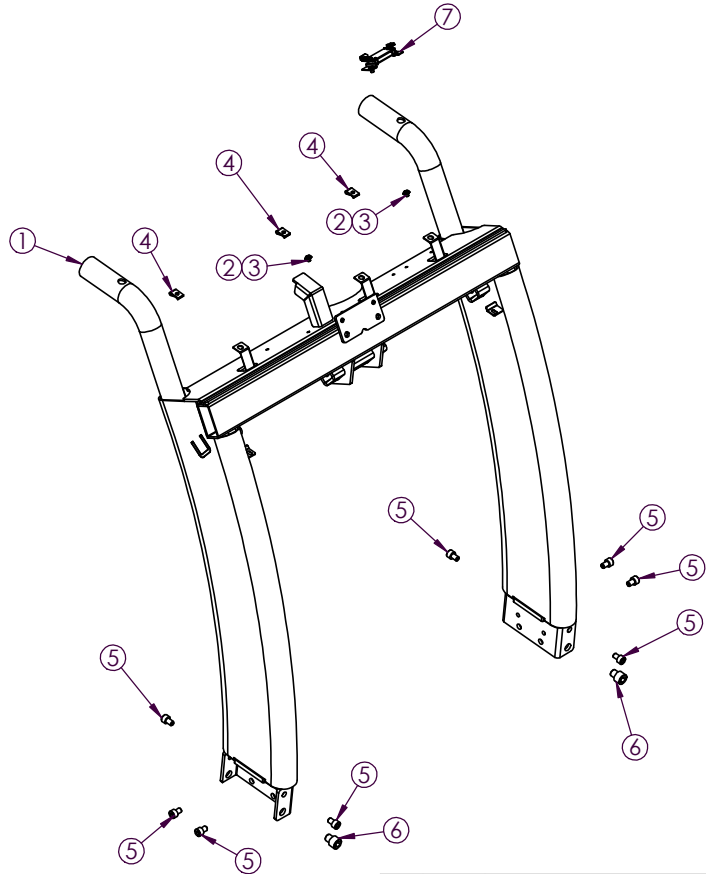
CONFIDENTIAL INFORMATION
 OF TRUE FITNESS TECHNOLOGY, INC., O'FALLON, MO. IT IS LOANED FOR CONFIDENTIAL USE. SUBJECT TO RETURN ON REQUEST, AND WITH THE MUTUAL UNDERSTANDING THAT IT WILL NOT BE USED IN ANY MANNER DETRIMENTAL TO THE INTERESTS OF TRUE FITNESS TECHNOLOGY, INC.

REV.	MCF#	DESCRIPTION	DATE	BY	APPRVL	TITLE	MATERIAL:	NOTES:	DRAWN BY	DATE	WEIGHT (KG)	DWG. SIZE	TRUE PART #:	REV.
						XC400 CHARGING PORT	Plain Carbon Steel		JCP	7/5/2018	0.01Kg	A	7XC0052	-
A	-	ORIGINAL RELEASE	-	-	-									

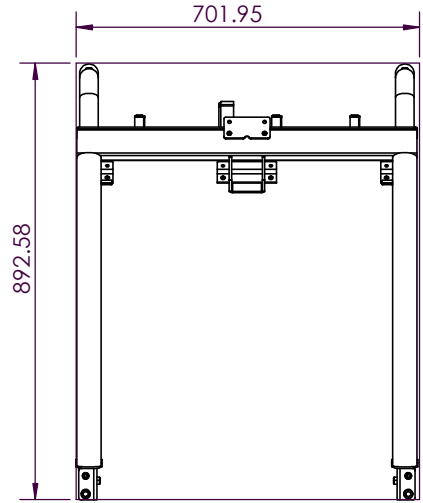
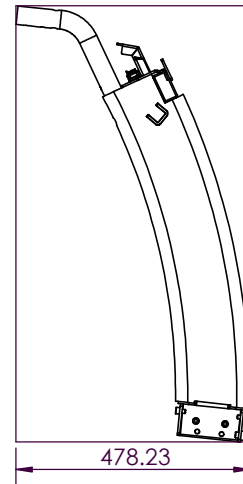
BREAK ALL SHARP CORNERS & EDGES
 UNLESS OTHERWISE SPECIFIED DIMENSIONS ARE IN MILLIMETERS
 TOLERANCES UNLESS NOTED:
 DECIMALS:
 .X ±.787mm
 .XX ±.381mm
 .XXX ±.127mm
 ANGULAR ±1°
 HOLES ±.127mm
 DO NOT SCALE DRAWING



7XC0091BK



ITEM NO.	PART NUMBER	Rexon Part #	DESCRIPTION	QTY.
1	7XC0037BK	10J63C05	PEDESTAL WELDMENT	1
2	2504MZC006	2504MZC006	M5 - 11mm EXTERNAL TOOTH LOCK WASHER	2
3	2668BZDA22	2668BZDA22	M5X6 PAN HEAD SCREW	2
4	7XC0042	2707FBN108	PEDESTAL SCREW CLIP	3
5	7SX0036	2602261H	M8X12 BOLT, HES SOC. HD. CAP 2602266	8
6	26023B5E	26023B5E	M12X12 SOCKET HEAD SCREW	2
7	7XC0093		SALUTRON BOARD	1



NOTE: ALL WEIGHTS AND DIMENSIONS ARE FOR REFERENCE ONLY

CONFIDENTIAL INFORMATION
 OF TRUE FITNESS TECHNOLOGY, INC., O'FALLON, MO. IT IS LOANED FOR CONFIDENTIAL USE. SUBJECT TO RETURN ON REQUEST, AND WITH THE MUTUAL UNDERSTANDING THAT IT WILL NOT BE USED IN ANY MANNER DETRIMENTAL TO THE INTERESTS OF TRUE FITNESS TECHNOLOGY, INC.

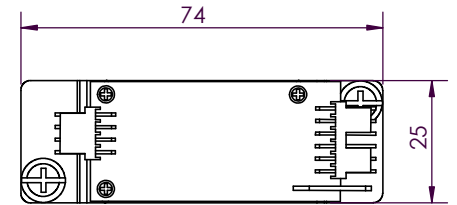
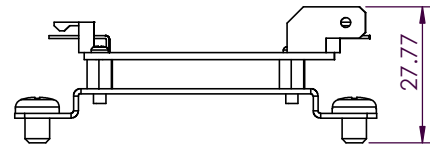
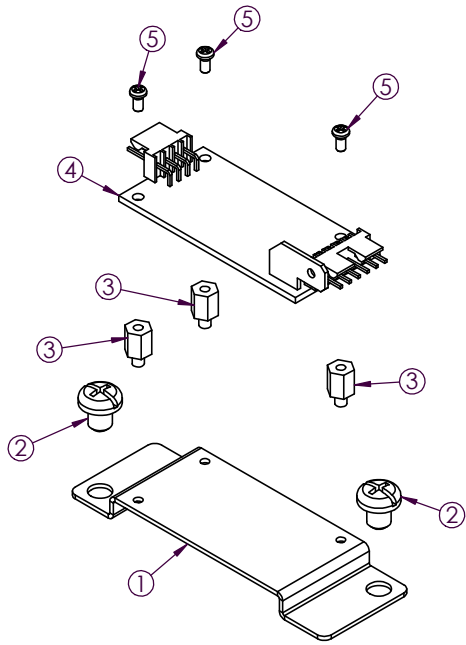
REV.	MCF#	DESCRIPTION	DATE	BY	APPRVL
A	-	ORIGINAL RELEASE	-	-	-

TITLE			
PEDESTAL ASSY - XCS400			
MATERIAL:		Material <not specified>	
NOTES:			
DRAWN BY		DATE	WEIGHT (KG)
JCP			18.87Kg
 FITNESS TECHNOLOGY, INC. O'FALLON, MO. 63366		DWG. SIZE A	TRUE PART #: 7XC0091BK
			REV. 0

BREAK ALL SHARP CORNERS & EDGES
 UNLESS OTHERWISE SPECIFIED DIMENSIONS ARE IN MILLIMETERS
 TOLERANCES UNLESS NOTED:
 DECIMALS:
 .X ±.787mm
 .XX ±.381mm
 .XXX ±.127mm
 ANGULAR ±1°
 HOLES ±.127mm
 DO NOT SCALE DRAWING

7XC0093

ITEM NO.	TRUE PART #	Rexon Part #	DESCRIPTION	QTY.
1	7XC0040	10K73U52	SALUTRON BOARD BRACKET	1
2		2668BZDA22	M5X6 PAN HEAD SCREW	2
3	7XC0041	10F13U58	SALUTRON BOARD STANDOFF SCREW	3
4	7XC0014	10F13U34	SALUTRON BOARD	1
5		26693R62	M2X4 PAN HEAD SCREW	3



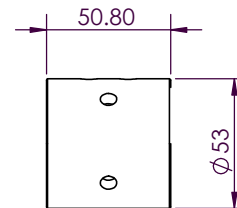
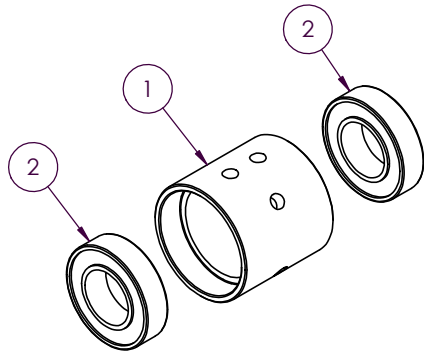
NOTE: ALL WEIGHTS AND DIMENSIONS ARE FOR REFERENCE ONLY

CONFIDENTIAL INFORMATION
 OF TRUE FITNESS TECHNOLOGY, INC., O'FALLON, MO. IT IS LOANED FOR CONFIDENTIAL USE. SUBJECT TO RETURN ON REQUEST, AND WITH THE MUTUAL UNDERSTANDING THAT IT WILL NOT BE USED IN ANY MANNER DETRIMENTAL TO THE INTERESTS OF TRUE FITNESS TECHNOLOGY, INC.

REV.	MCF#	DESCRIPTION	DATE	BY	APPRVL	TITLE	MATERIAL:	NOTES:	DRAWN BY	DATE	WEIGHT (KG)	DWG. SIZE	TRUE PART #:	REV.
A	-	ORIGINAL RELEASE	-	-	-	SALUTRON BOARD	Material <not specified>				0.04Kg	A	7XC0093	
						BREAK ALL SHARP CORNERS & EDGES UNLESS OTHERWISE SPECIFIED DIMENSIONS ARE IN MILLIMETERS TOLERANCES UNLESS NOTED: DECIMALS: .X ±.787mm .XX ±.381mm .XXX ±.127mm ANGULAR ±1° HOLES ±.127mm DO NOT SCALE DRAWING		FITNESS TECHNOLOGY, INC. O'FALLON, MO. 63366						

7XC0094

ITEM NO.	TRUE PART #	Rexon Part #	DESCRIPTION	QTY.
1	7XC0069	10C32CS3	PEDAL TUBE BEARING ROLLER HOUSING	1
2	7SX0126	2001ZZ6005	BEARING, BALL 6005ZZ 2001ZZ6005	2



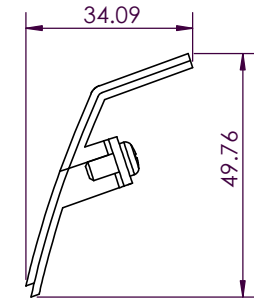
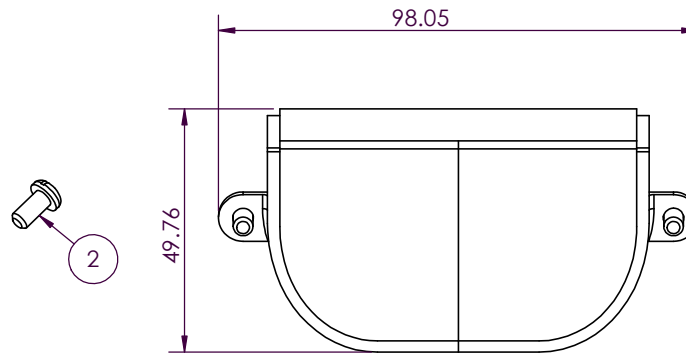
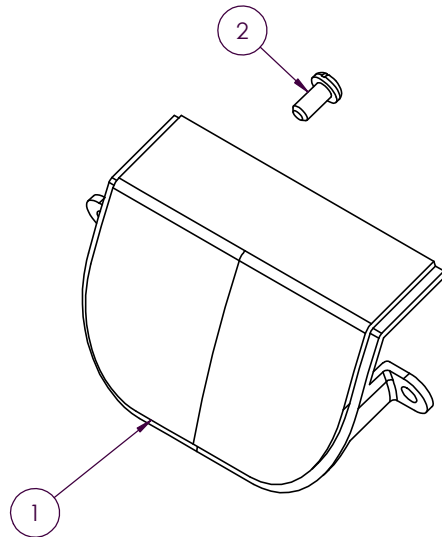
NOTE: ALL WEIGHTS AND DIMENSIONS ARE FOR REFERENCE ONLY

CONFIDENTIAL INFORMATION
 OF TRUE FITNESS TECHNOLOGY, INC., O'FALLON, MO. IT IS LOANED FOR CONFIDENTIAL USE. SUBJECT TO RETURN ON REQUEST, AND WITH THE MUTUAL UNDERSTANDING THAT IT WILL NOT BE USED IN ANY MANNER DETRIMENTAL TO THE INTERESTS OF TRUE FITNESS TECHNOLOGY, INC.

REV.	MCF#	DESCRIPTION	DATE	BY	APPRVL	TITLE	MATERIAL:	NOTES:	DRAWN BY	DATE	WEIGHT (KG)	DWG. SIZE	TRUE PART #:	REV.
						PEDAL TUBE BEARING ROLLER ASSEMBLY	Material <not specified>				0.47Kg	A	7XC0094	
A	-	ORIGINAL RELEASE	-	-	-	BREAK ALL SHARP CORNERS & EDGES								
						UNLESS OTHERWISE SPECIFIED DIMENSIONS ARE IN MILLIMETERS								
						TOLERANCES UNLESS NOTED: DECIMALS: .X ±.787mm .XX ±.381mm .XXX ±.127mm ANGULAR ±1° HOLES ±.127mm								
						DO NOT SCALE DRAWING								

7XCS0004BK

ITEM NO.	PART NUMBER	Rexon Part #	DESCRIPTION	QTY.
1	7XC0087BK	10J63CUA	UPPER CONSOLE COVER SHROUD	1
2	2660MZCE10	2660MZCE10	M4X8 PAN HEAD SCREW	2



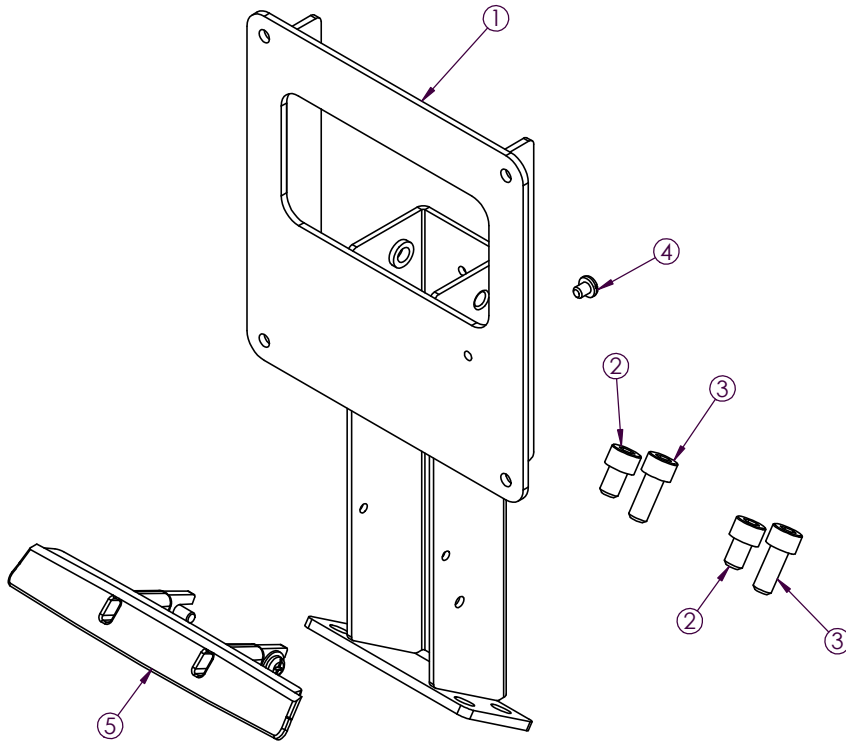
NOTE: ALL WEIGHTS AND DIMENSIONS ARE FOR REFERENCE ONLY

CONFIDENTIAL INFORMATION
 OF TRUE FITNESS TECHNOLOGY, INC., O'FALLON, MO. IT IS LOANED FOR CONFIDENTIAL USE. SUBJECT TO RETURN ON REQUEST, AND WITH THE MUTUAL UNDERSTANDING THAT IT WILL NOT BE USED IN ANY MANNER DETRIMENTAL TO THE INTERESTS OF TRUE FITNESS TECHNOLOGY, INC.

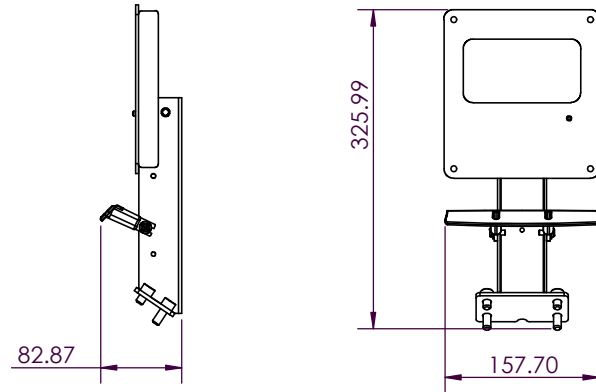
REV.	MCF#	DESCRIPTION	DATE	BY	APPRVL
A	-	ORIGINAL RELEASE	-	-	-

TITLE		REAR CONSOLE MAST COVER UPPER INSERT ASSY - XCS400		
MATERIAL:		Material <not specified>		
NOTES:		BREAK ALL SHARP CORNERS & EDGES UNLESS OTHERWISE SPECIFIED DIMENSIONS ARE IN MILLIMETERS TOLERANCES UNLESS NOTED: DECIMALS: .X ±.787mm .XX ±.381mm .XXX ±.127mm ANGULAR ±1° HOLES ±.127mm DO NOT SCALE DRAWING		
DRAWN BY	DATE	WEIGHT (KG)		
JCP		0.02Kg		
		DWG. SIZE	TRUE PART #:	REV.
		A	7XCS0004BK	0

7XCS0005BK




ITEM NO.	PART NUMBER	Rexon Part #	DESCRIPTION	QTY.
1	7XC0022	10J63C0A	CONSOLE MAST	1
2	7SX0036	2602261H	M8X12 BOLT, HES SOC. HD. CAP 2602266	2
3	26022ZXH	26022ZXH	M8X20 SOCKET HEAD BOLT	2
4	2668BZDA22	2668BZDA22	M5X6 PAN HEAD SCREW	1
5	7XCS0022BK		FRONT LOWER CONSOLE COVER ASSEMBLY	1



NOTE: ALL WEIGHTS AND DIMENSIONS ARE FOR REFERENCE ONLY

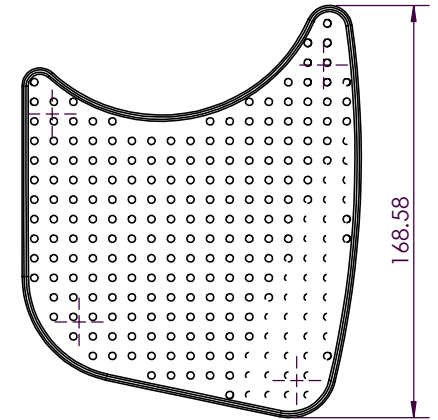
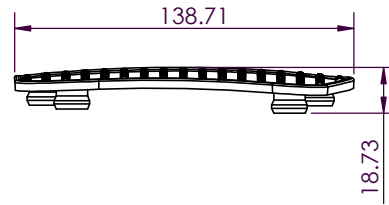
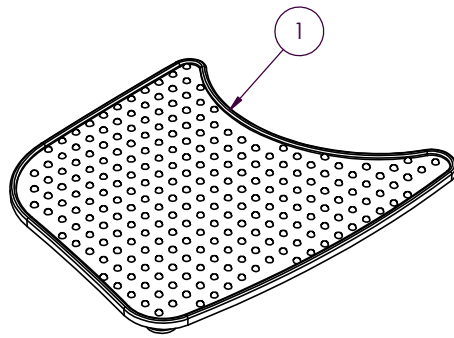
CONFIDENTIAL INFORMATION
OF TRUE FITNESS TECHNOLOGY, INC., O'FALLON, MO. IT IS LOANED FOR CONFIDENTIAL USE. SUBJECT TO RETURN ON REQUEST, AND WITH THE MUTUAL UNDERSTANDING THAT IT WILL NOT BE USED IN ANY MANNER DETRIMENTAL TO THE INTERESTS OF TRUE FITNESS TECHNOLOGY, INC.

REV.	MCF#	DESCRIPTION	DATE	BY	APPRVL
A	-	ORIGINAL RELEASE	-	-	-

TITLE		CONSOLE MAST ASSY - XCS400		
BREAK ALL SHARP CORNERS & EDGES		MATERIAL: Material <not specified>		
UNLESS OTHERWISE SPECIFIED DIMENSIONS ARE IN MILLIMETERS		NOTES:		
TOLERANCES UNLESS NOTED: DECIMALS: .X ±.787mm .XX ±.381mm .XXX ±.127mm ANGULAR ±1° HOLES ±.127mm DO NOT SCALE DRAWING		DRAWN BY	DATE	WEIGHT (KG)
		JCP		1.37Kg
				DWG. SIZE: A TRUE PART #: 7XCS0005BK REV. 0

7XCS0006BK

ITEM NO.	TRUE PART #	Rexon Part #	DESCRIPTION	QTY.
1	7XCS0006BK	10J339QF	CONSOLE PAD, TRUE BLUE - XCS400	1



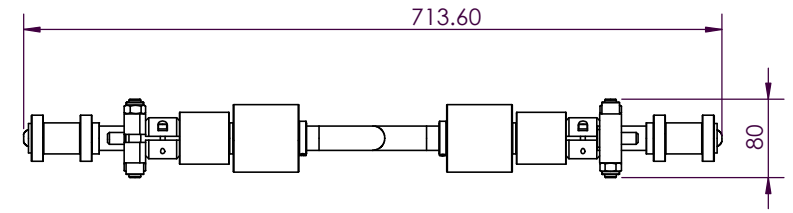
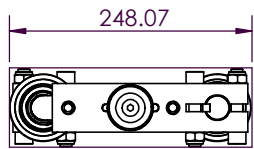
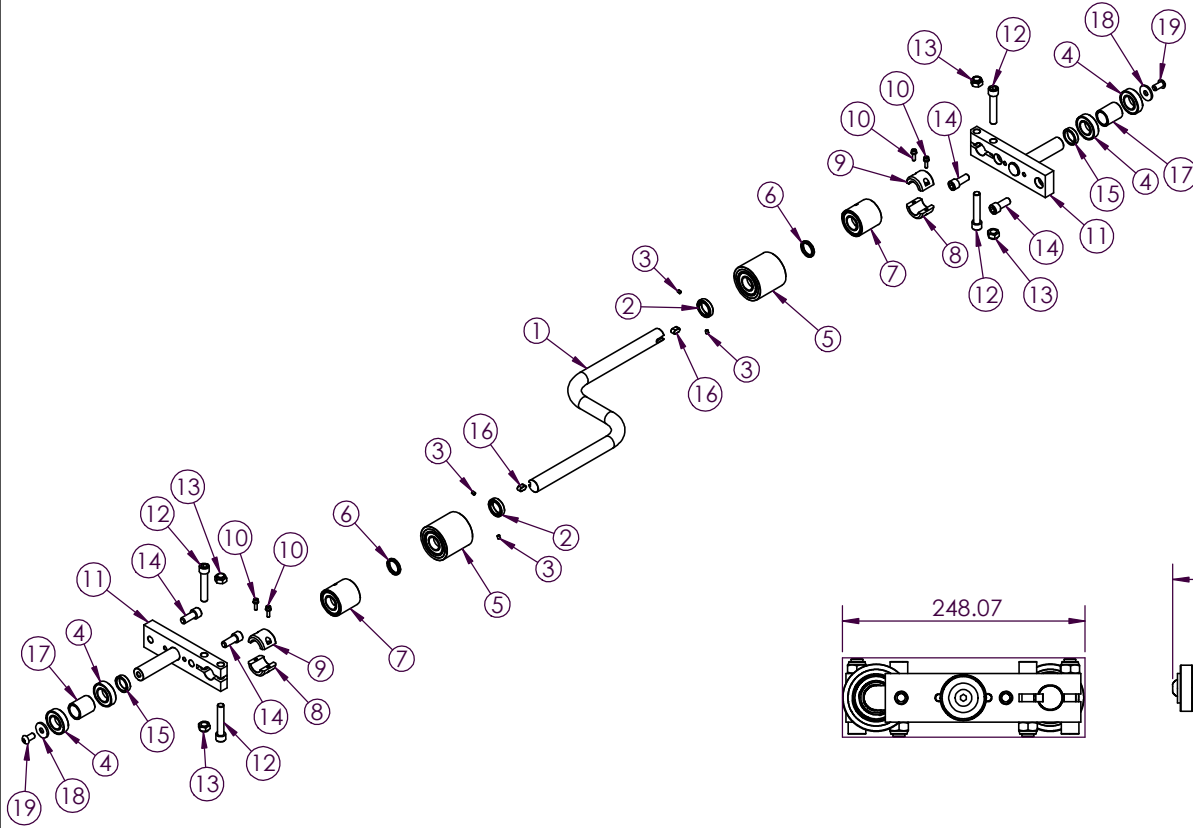
NOTE: ALL WEIGHTS AND DIMENSIONS ARE FOR REFERENCE ONLY

CONFIDENTIAL INFORMATION

OF TRUE FITNESS TECHNOLOGY, INC., O'FALLON, MO. IT IS LOANED FOR CONFIDENTIAL USE. SUBJECT TO RETURN ON REQUEST, AND WITH THE MUTUAL UNDERSTANDING THAT IT WILL NOT BE USED IN ANY MANNER DETRIMENTAL TO THE INTERESTS OF TRUE FITNESS TECHNOLOGY, INC.

REV.	MCF#	DESCRIPTION	DATE	BY	APPRVL	TITLE	MATERIAL:	DATE	WEIGHT (KG)	DWG. SIZE	TRUE PART #:	REV.
						CONSOLE PAD, TRUE BLUE - XCS400	Rubber					
A	-	ORIGINAL RELEASE	-	-	-	BREAK ALL SHARP CORNERS & EDGES		7/3/2018	0.05Kg	A	7XCS0006BK	-
						UNLESS OTHERWISE SPECIFIED DIMENSIONS ARE IN MILLIMETERS	NOTES:					
						TOLERANCES UNLESS NOTED: DECIMALS: .X ±.787mm .XX ±.381mm .XXX ±.127mm ANGULAR ±1° HOLES ±.127mm DO NOT SCALE DRAWING	DRAWN BY: JCP					
							FITNESS TECHNOLOGY, INC. O'FALLON, MO. 63366					

7XCS0008BK



ITEM NO.	PART NUMBER	Rexon Part #	DESCRIPTION	QTY.
1	7XC0065BK	10E12SY5	CRANK SHAFT BAR	1
2	7XC0066	10C32DUW	8 MM SPACER	2
3	7XC0067	26062TXR	SET SCREW	4
4	7SX0126	2001ZZ6005	BEARING, BALL 6005ZZ 2001ZZ6005	4
5	7XPS0020		ROLLING WHEEL ASSEMBLY (PAIR)	2
6	7CX0085	10F12R1B	BEARING SPACER	2
7	7XC0094		PEDAL TUBE BEARING ROLLER ASSEMBLY	2
8	7XC0070	10J63C0J	BOTTOM CRANK SHAFT CLAMP	2
9	7XC0071	10J63C0H	TOP CRANK SHAFT CLAMP	2
10	26173AZ8	26173AZ8	M5X16 SEMS HEX HEAD BOLT	4
11	7XC0072	10E12SY8	CRANK SHAFT WELDMENT	2
12	26022T1G	26022T1G	M12X65 PARTIALLY THREADED SOCKET HEAD SCREW	4
13	270533N5	270533N5	M12X12 LOCK NUT	4
14	26023FXU	26023FXU	M12X30 SOCKET HEAD BOLT	4
15	7XC0073	10C72SPB	7.5 MM SPACER	2
16	7PX0017	2571MNC332	KEY,PARALLEL XPSX 2571MNC332	2
17	7XC0074	10C72SD9	BEARING SPACER	2
18	25012MPQ	25012MPQ	M10 - 30MM FLAT WASHER	2
19	7SX0124	260822QV	M10X20 HEX DRIVE ROUNDED HEAD BOLT	2

NOTE: ALL WEIGHTS AND DIMENSIONS ARE FOR REFERENCE ONLY

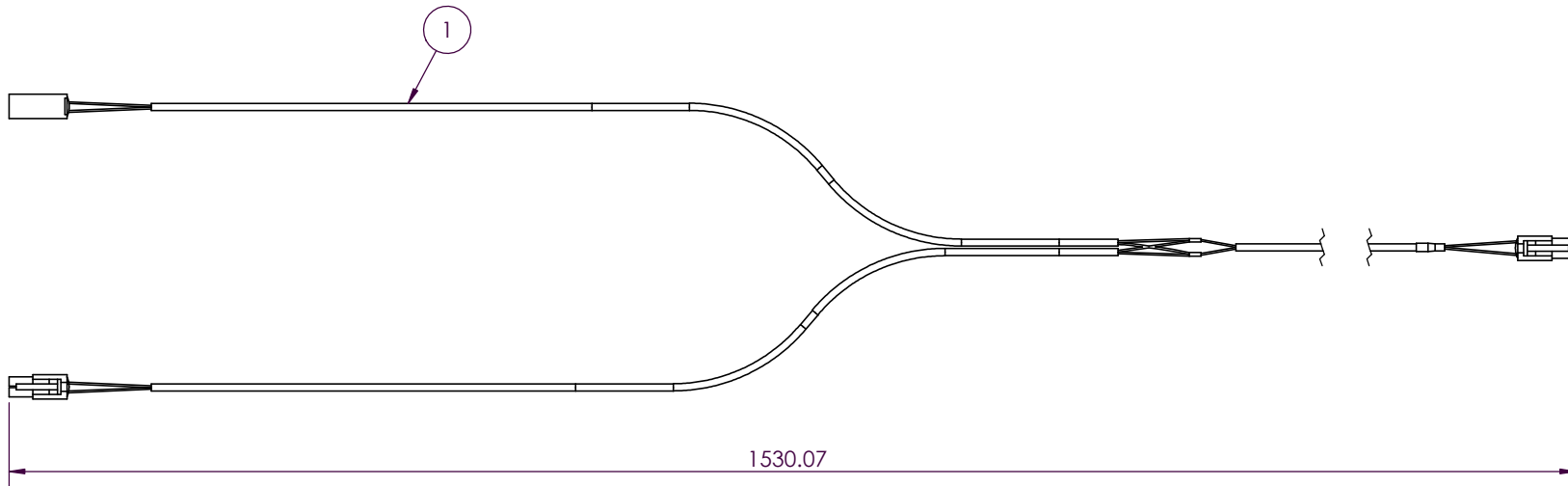
CONFIDENTIAL INFORMATION
 OF TRUE FITNESS TECHNOLOGY, INC. O'FALLON, MO. IT IS LOANED FOR CONFIDENTIAL USE. SUBJECT TO RETURN ON REQUEST, AND WITH THE MUTUAL UNDERSTANDING THAT IT WILL NOT BE USED IN ANY MANNER DETRIMENTAL TO THE INTERESTS OF TRUE FITNESS TECHNOLOGY, INC.

REV.	MCF#	DESCRIPTION	DATE	BY	APPRVL
A	-	ORIGINAL RELEASE	-	-	-

TITLE			
CRANK SHAFT - XCS400			
BREAK ALL SHARP CORNERS & EDGES		MATERIAL: Material <not specified>	
UNLESS OTHERWISE SPECIFIED DIMENSIONS ARE IN MILLIMETERS			
TOLERANCES UNLESS NOTED:		DRAWN BY: JCP	
DECIMALS:		DATE:	
.X ±.787mm		WEIGHT (KG): 11.46Kg	
.XX ±.381mm		TRUE PART #:	
.XXX ±.127mm		7XCS0008BK	
ANGULAR ±1°		REV. 0	
HOLES ±.127mm		DWG. SIZE: A	
DO NOT SCALE DRAWING			

7XCS0009

ITEM NO.	PART NUMBER	REXON PART #	DESCRIPTION	QTY.
1	7XCS0009	10J63C4J	DC POWER CABLE PEDESTAL	1



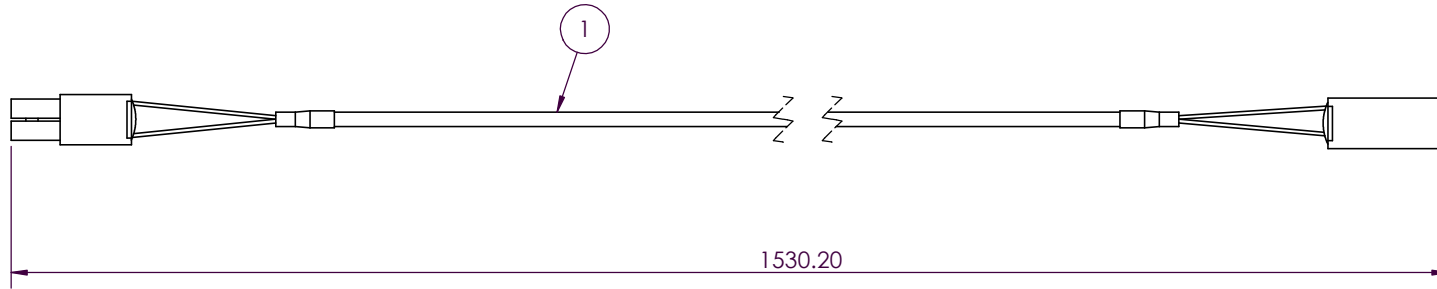
NOTE: ALL WEIGHTS AND DIMENSIONS ARE FOR REFERENCE ONLY

CONFIDENTIAL INFORMATION
 OF TRUE FITNESS TECHNOLOGY, INC., O'FALLON, MO. IT IS LOANED FOR CONFIDENTIAL USE. SUBJECT TO RETURN ON REQUEST, AND WITH THE MUTUAL UNDERSTANDING THAT IT WILL NOT BE USED IN ANY MANNER DETRIMENTAL TO THE INTERESTS OF TRUE FITNESS TECHNOLOGY, INC.

REV.	MCF#	DESCRIPTION	DATE	BY	APPRVL	TITLE	MATERIAL:	NOTES:	DRAWN BY	DATE	WEIGHT (KG)	DWG. SIZE	TRUE PART #:	REV.
						DC POWER CABLE PEDESTAL	Material <not specified>				0.14Kg	A	7XCS0009	
A	-	ORIGINAL RELEASE	-	-	-	BREAK ALL SHARP CORNERS & EDGES								
						UNLESS OTHERWISE SPECIFIED DIMENSIONS ARE IN MILLIMETERS								
						TOLERANCES UNLESS NOTED: DECIMALS: .X ±.787mm .XX ±.381mm .XXX ±.127mm ANGULAR ±1° HOLES ±.127mm								
						DO NOT SCALE DRAWING								

7XCS0010

ITEM NO.	PART NUMBER	REXON #	DESCRIPTION	QTY.
1	XCS0010	10J63DFA	DC POWER CABLE	1



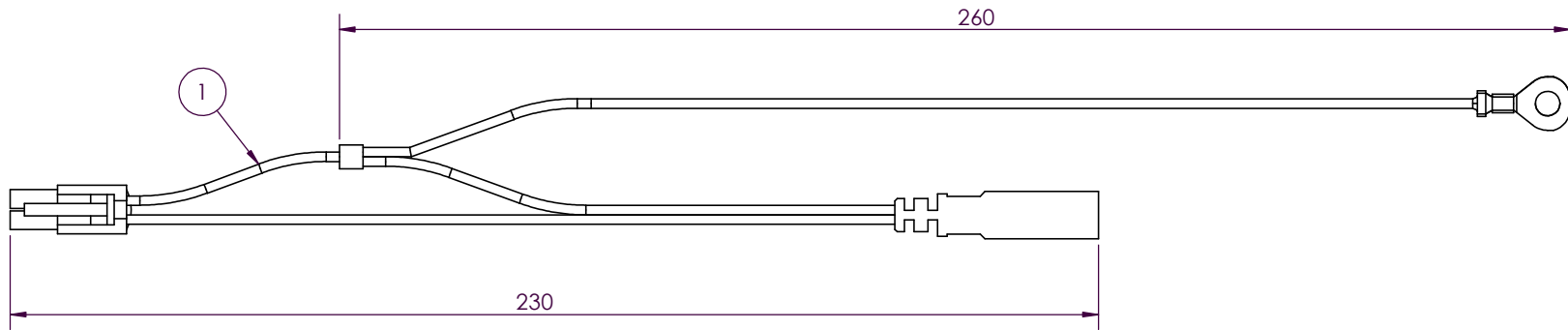
NOTE: ALL WEIGHTS AND DIMENSIONS ARE FOR REFERENCE ONLY

CONFIDENTIAL INFORMATION
 OF TRUE FITNESS TECHNOLOGY, INC., O'FALLON, MO. IT IS LOANED FOR CONFIDENTIAL USE. SUBJECT TO RETURN ON REQUEST, AND WITH THE MUTUAL UNDERSTANDING THAT IT WILL NOT BE USED IN ANY MANNER DETRIMENTAL TO THE INTERESTS OF TRUE FITNESS TECHNOLOGY, INC.

REV.	MCF#	DESCRIPTION	DATE	BY	APPRVL	TITLE	MATERIAL:	DATE	WEIGHT (KG)	DWG. SIZE	TRUE PART #:	REV.
						DC POWER CABLE	Material <not specified>		0.09Kg	A	7XCS0010	
A	-	ORIGINAL RELEASE	-	-	-	BREAK ALL SHARP CORNERS & EDGES	NOTES:					
						UNLESS OTHERWISE SPECIFIED DIMENSIONS ARE IN MILLIMETERS						
						TOLERANCES UNLESS NOTED: DECIMALS:						
						.X ±.787mm						
						.XX ±.381mm						
						.XXX ±.127mm						
						ANGULAR ±1°						
						HOLES ±.127mm						
						DO NOT SCALE DRAWING						
						FITNESS TECHNOLOGY, INC. O'FALLON, MO. 63366						

7XCS0012

ITEM NO.	PART NUMBER	REXON PART #	DESCRIPTION	QTY.
1	7XCS0012	10J63C4H	DC POWER CABLE	1



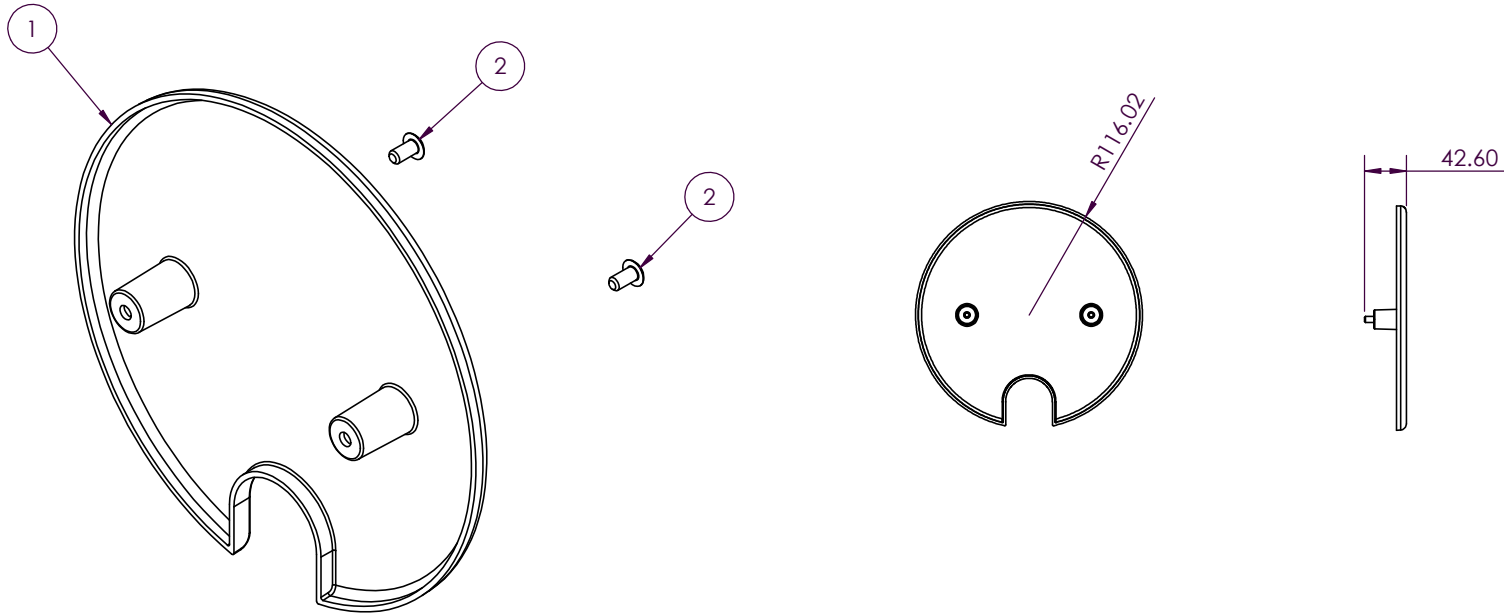
NOTE: ALL WEIGHTS AND DIMENSIONS ARE FOR REFERENCE ONLY

CONFIDENTIAL INFORMATION
 OF TRUE FITNESS TECHNOLOGY, INC., O'FALLON, MO. IT IS LOANED FOR CONFIDENTIAL USE. SUBJECT TO RETURN ON REQUEST, AND WITH THE MUTUAL UNDERSTANDING THAT IT WILL NOT BE USED IN ANY MANNER DETRIMENTAL TO THE INTERESTS OF TRUE FITNESS TECHNOLOGY, INC.

REV.	MCF#	DESCRIPTION	DATE	BY	APPRVL	TITLE	MATERIAL:	DATE	WEIGHT (KG)	DWG. SIZE	TRUE PART #:	REV.
						DC POWER CABLE	Material <not specified>		0.02Kg	A	7XCS0012	
A	-	ORIGINAL RELEASE	-	-	-	BREAK ALL SHARP CORNERS & EDGES	UNLESS OTHERWISE SPECIFIED DIMENSIONS ARE IN MILLIMETERS					
						TOLERANCES UNLESS NOTED: DECIMALS: .X ±.787mm .XX ±.381mm .XXX ±.127mm ANGULAR ±1° HOLES ±.127mm	DO NOT SCALE DRAWING					

7XCS0013BK

ITEM NO.	PART NUMBER	Rexon Part #	DESCRIPTION	QTY.
1	7XC0030BK	10J63C55	DISC COVER SHROUD - XCS400	1
2	7SX0004	2634BFDA24	SCREW, CR.-RE. TRUSS HD. 2634BFDA24	2



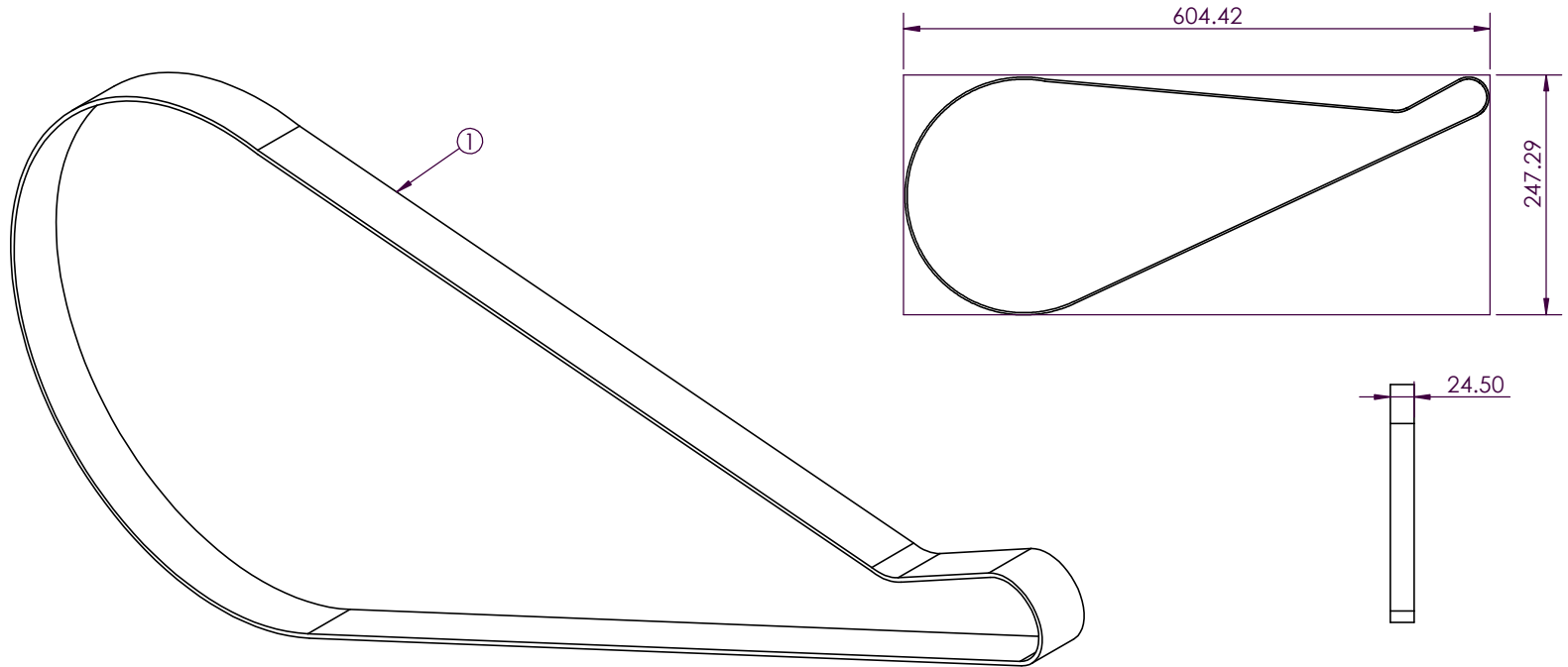
NOTE: ALL WEIGHTS AND DIMENSIONS ARE FOR REFERENCE ONLY

CONFIDENTIAL INFORMATION
 OF TRUE FITNESS TECHNOLOGY, INC., O'FALLON, MO. IT IS LOANED FOR
 CONFIDENTIAL USE. SUBJECT TO RETURN ON REQUEST, AND WITH THE
 MUTUAL UNDERSTANDING THAT IT WILL NOT BE USED IN ANY MANNER
 DETRIMENTAL TO THE INTERESTS OF TRUE FITNESS TECHNOLOGY, INC.

REV.	MCF#	DESCRIPTION	DATE	BY	APPRVL	TITLE	MATERIAL:	NOTES:	DRAWN BY	DATE	WEIGHT (KG)	DWG. SIZE	TRUE PART #:	REV.
A	-	ORIGINAL RELEASE	-	-	-	DISC COVER ASSEMBLY	Material <not specified>		JCP		0.14Kg	A	7XCS0013BK	0
						BREAK ALL SHARP CORNERS & EDGES UNLESS OTHERWISE SPECIFIED DIMENSIONS ARE IN MILLIMETERS TOLERANCES UNLESS NOTED: DECIMALS: .X ±.787mm .XX ±.381mm .XXX ±.127mm ANGULAR ±1° HOLES ±.127mm DO NOT SCALE DRAWING		FITNESS TECHNOLOGY, INC. O'FALLON, MO. 63366						

7XCS0014

ITEM NO.	PART NUMBER	Rexon Part #	DESCRIPTION	QTY.
1	7XCS0014	25723CGL	DRIVE BELT	1



NOTE: ALL WEIGHTS AND DIMENSIONS ARE FOR REFERENCE ONLY

CONFIDENTIAL INFORMATION

OF TRUE FITNESS TECHNOLOGY, INC., O'FALLON, MO. IT IS LOANED FOR CONFIDENTIAL USE. SUBJECT TO RETURN ON REQUEST, AND WITH THE MUTUAL UNDERSTANDING THAT IT WILL NOT BE USED IN ANY MANNER DETRIMENTAL TO THE INTERESTS OF TRUE FITNESS TECHNOLOGY, INC.

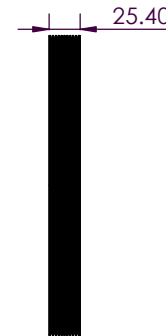
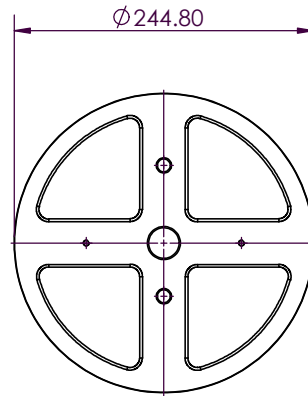
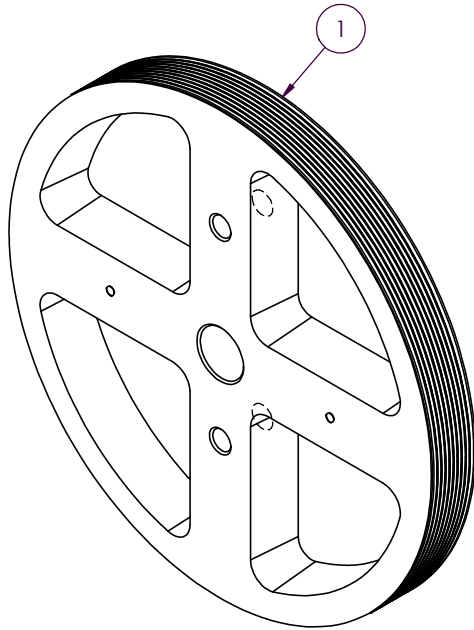
REV.	MCF#	DESCRIPTION	DATE	BY	APPRVL	TITLE	MATERIAL:	NOTES:	DRAWN BY	DATE	WEIGHT (KG)	DWG. SIZE	TRUE PART #:	REV.
						DRIVE BELT	Rubber				0.07Kg	A	7XCS0014	
A	-	ORIGINAL RELEASE	-	-	-									

BREAK ALL SHARP CORNERS & EDGES
 UNLESS OTHERWISE SPECIFIED DIMENSIONS ARE IN MILLIMETERS
 TOLERANCES UNLESS NOTED:
 DECIMALS:
 .X ±.787mm
 .XX ±.381mm
 .XXX ±.127mm
 ANGULAR ±1°
 HOLES ±.127mm
 DO NOT SCALE DRAWING

TRUE
 FITNESS TECHNOLOGY, INC.
 O'FALLON, MO. 63366

7XCS0015

ITEM NO.	TRUE PART #	Rexon Part #	DESCRIPTION	QTY.
1	7XCS0015	10J63C0C	DRIVE WHEEL - XCS400	1



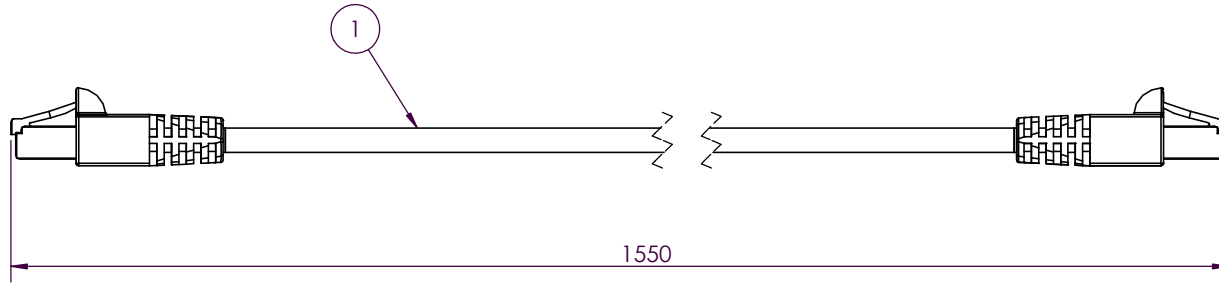
NOTE: ALL WEIGHTS AND DIMENSIONS ARE FOR REFERENCE ONLY

CONFIDENTIAL INFORMATION
 OF TRUE FITNESS TECHNOLOGY, INC., O'FALLON, MO. IT IS LOANED FOR CONFIDENTIAL USE. SUBJECT TO RETURN ON REQUEST, AND WITH THE MUTUAL UNDERSTANDING THAT IT WILL NOT BE USED IN ANY MANNER DETRIMENTAL TO THE INTERESTS OF TRUE FITNESS TECHNOLOGY, INC.

REV.	MCF#	DESCRIPTION	DATE	BY	APPRVL	TITLE	MATERIAL:	DATE	WEIGHT (KG)	REV.
A	-	ORIGINAL RELEASE	-	-	-	DRIVE WHEEL - XCS400	Plain Carbon Steel	7/3/2018	4.84Kg	-
						BREAK ALL SHARP CORNERS & EDGES UNLESS OTHERWISE SPECIFIED DIMENSIONS ARE IN MILLIMETERS TOLERANCES UNLESS NOTED: DECIMALS: .X ±.787mm .XX ±.381mm .XXX ±.127mm ANGULAR ±1° HOLES ±.127mm DO NOT SCALE DRAWING	NOTES: DRAWN BY: JCP DATE: 7/3/2018 WEIGHT (KG): 4.84Kg			
						FITNESS TECHNOLOGY, INC. O'FALLON, MO. 63366	DWG. SIZE: A			TRUE PART #: 7XCS0015

7XCS0016

ITEM NO.	PART NUMBER	REXON PART #	DESCRIPTION	QTY.
1	7XCS0016	10J63CEP	ETHERNET CABLE	1



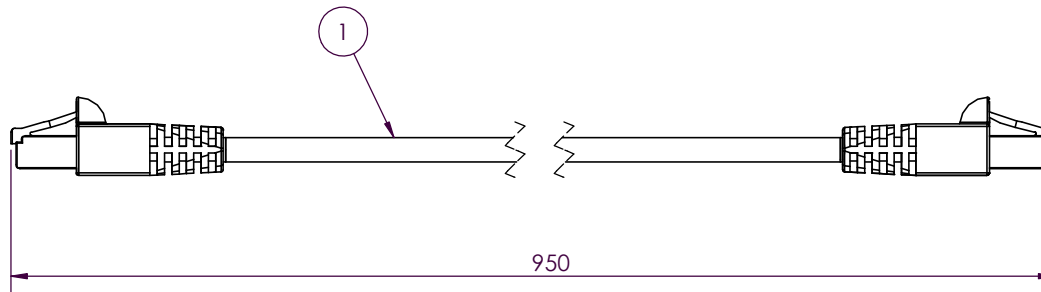
NOTE: ALL WEIGHTS AND DIMENSIONS ARE FOR REFERENCE ONLY

CONFIDENTIAL INFORMATION
 OF TRUE FITNESS TECHNOLOGY, INC., O'FALLON, MO. IT IS LOANED FOR CONFIDENTIAL USE. SUBJECT TO RETURN ON REQUEST, AND WITH THE MUTUAL UNDERSTANDING THAT IT WILL NOT BE USED IN ANY MANNER DETRIMENTAL TO THE INTERESTS OF TRUE FITNESS TECHNOLOGY, INC.

REV.	MCF#	DESCRIPTION	DATE	BY	APPRVL	TITLE	MATERIAL:	NOTES:	DRAWN BY	DATE	WEIGHT (KG)	DWG. SIZE	TRUE PART #:	REV.
						ETHERNET CABLE	Material <not specified>				0.27Kg	A	7XCS0016	
A	-	ORIGINAL RELEASE	-	-	-	BREAK ALL SHARP CORNERS & EDGES								
						UNLESS OTHERWISE SPECIFIED DIMENSIONS ARE IN MILLIMETERS								
						TOLERANCES UNLESS NOTED: DECIMALS: .X ±.787mm .XX ±.381mm .XXX ±.127mm ANGULAR ±1° HOLES ±.127mm DO NOT SCALE DRAWING								
									TRUE FITNESS TECHNOLOGY, INC. O'FALLON, MO. 63366					

7XCS0017

ITEM NO.	PART NUMBER	REXON PART #	DESCRIPTION	QTY.
1	7XCS0017	10J63DPE	ETHERNET CABLE	1



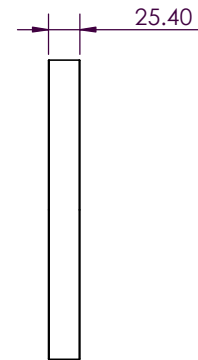
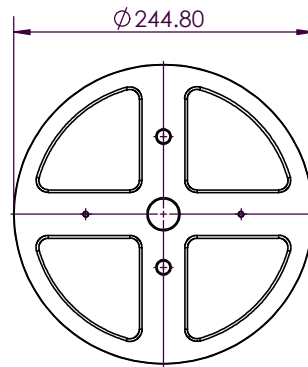
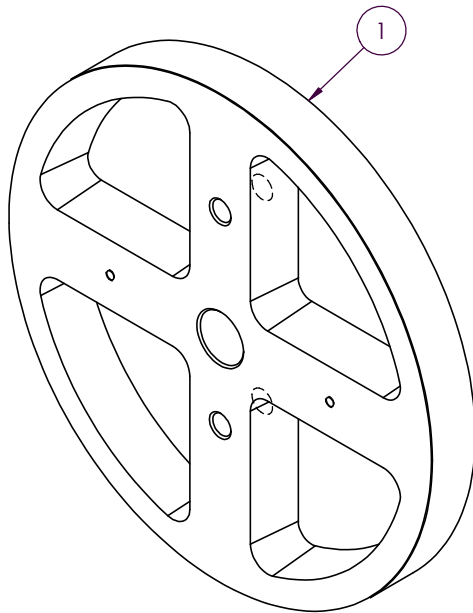
NOTE: ALL WEIGHTS AND DIMENSIONS ARE FOR REFERENCE ONLY

CONFIDENTIAL INFORMATION
 OF TRUE FITNESS TECHNOLOGY, INC., O'FALLON, MO. IT IS LOANED FOR CONFIDENTIAL USE. SUBJECT TO RETURN ON REQUEST, AND WITH THE MUTUAL UNDERSTANDING THAT IT WILL NOT BE USED IN ANY MANNER DETRIMENTAL TO THE INTERESTS OF TRUE FITNESS TECHNOLOGY, INC.

REV.	MCF#	DESCRIPTION	DATE	BY	APPRVL	TITLE	MATERIAL:	DATE	WEIGHT (KG)	DWG. SIZE	TRUE PART #:	REV.
						ETHERNET CABLE	Material <not specified>		0.16Kg	A	7XCS0017	
A	-	ORIGINAL RELEASE	-	-	-	BREAK ALL SHARP CORNERS & EDGES	UNLESS OTHERWISE SPECIFIED DIMENSIONS ARE IN MILLIMETERS					
						TOLERANCES UNLESS NOTED: DECIMALS: .X ±.787mm .XX ±.381mm .XXX ±.127mm ANGULAR ±1° HOLES ±.127mm	DO NOT SCALE DRAWING					

7XCS0018

ITEM NO.	TRUE PART #	Rexon Part #	DESCRIPTION	QTY.
1	7XCS0018	10J63C0E	FLY WHEEL (R) - XCS400	1



NOTE: ALL WEIGHTS AND DIMENSIONS ARE FOR REFERENCE ONLY

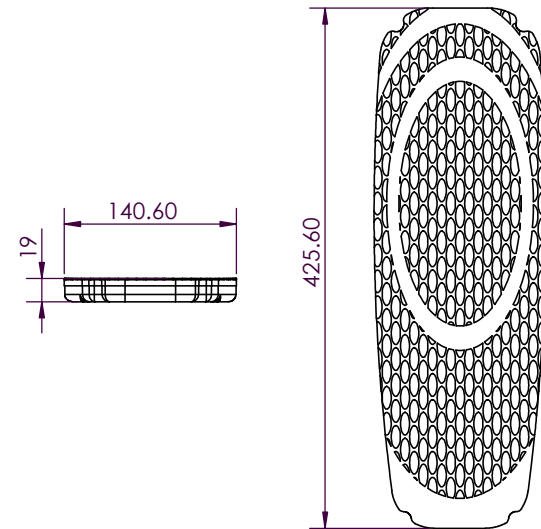
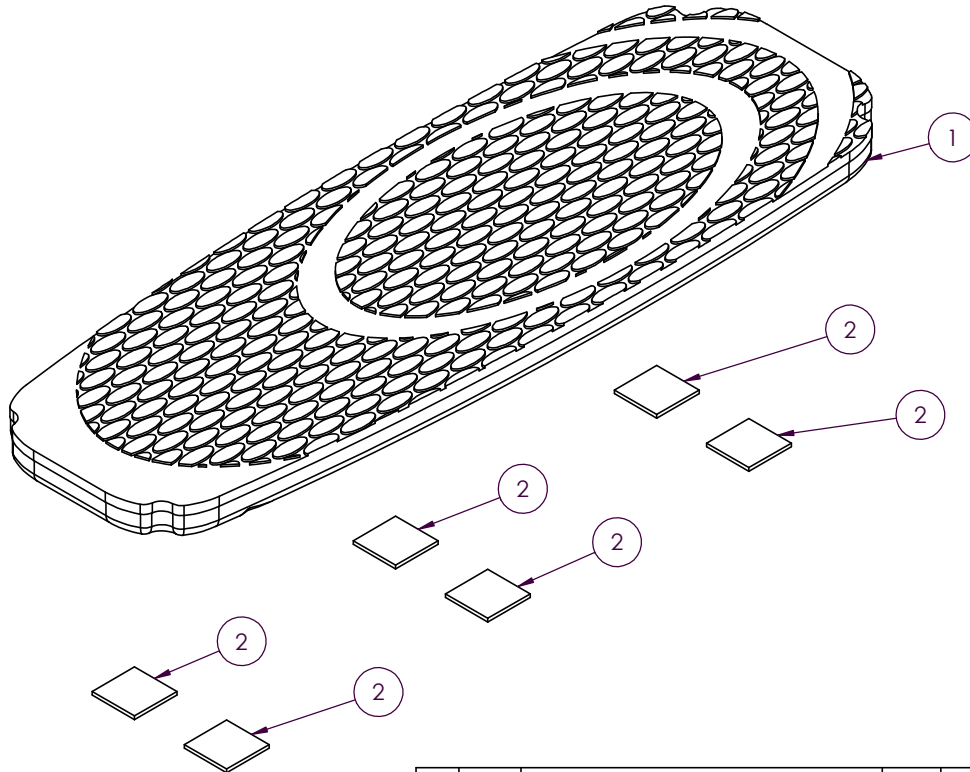
CONFIDENTIAL INFORMATION

OF TRUE FITNESS TECHNOLOGY, INC., O'FALLON, MO. IT IS LOANED FOR CONFIDENTIAL USE. SUBJECT TO RETURN ON REQUEST, AND WITH THE MUTUAL UNDERSTANDING THAT IT WILL NOT BE USED IN ANY MANNER DETRIMENTAL TO THE INTERESTS OF TRUE FITNESS TECHNOLOGY, INC.

REV.	MCF#	DESCRIPTION	DATE	BY	APPRVL	TITLE	MATERIAL:	DATE	WEIGHT (KG)	REV.
A	-	ORIGINAL RELEASE	-	-	-	FLY WHEEL (R) - XCS400	Plain Carbon Steel	7/3/2018	4.99Kg	-
						BREAK ALL SHARP CORNERS & EDGES UNLESS OTHERWISE SPECIFIED DIMENSIONS ARE IN MILLIMETERS TOLERANCES UNLESS NOTED: DECIMALS: .X ±.787mm .XX ±.381mm .XXX ±.127mm ANGULAR ±1° HOLES ±.127mm DO NOT SCALE DRAWING	NOTES:			
						DRAWN BY: JCP DATE: 7/3/2018 WEIGHT (KG): 4.99Kg TRUE FITNESS TECHNOLOGY, INC. O'FALLON, MO. 63366	DWG. SIZE: A	TRUE PART #:	7XCS0018	

7XCS0019

ITEM NO.	PART NUMBER	Rexon Part #	DESCRIPTION	QTY.
1	7XC0089	10J63DZ3	FOOT PAD - XCS400	1
2	7XC0056	10J339QE	1" VELCRO SQUARE	6



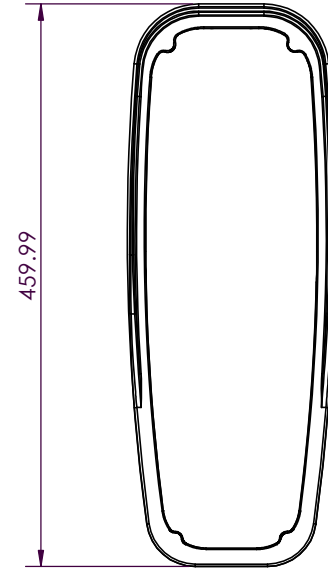
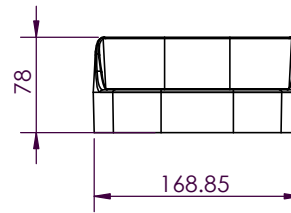
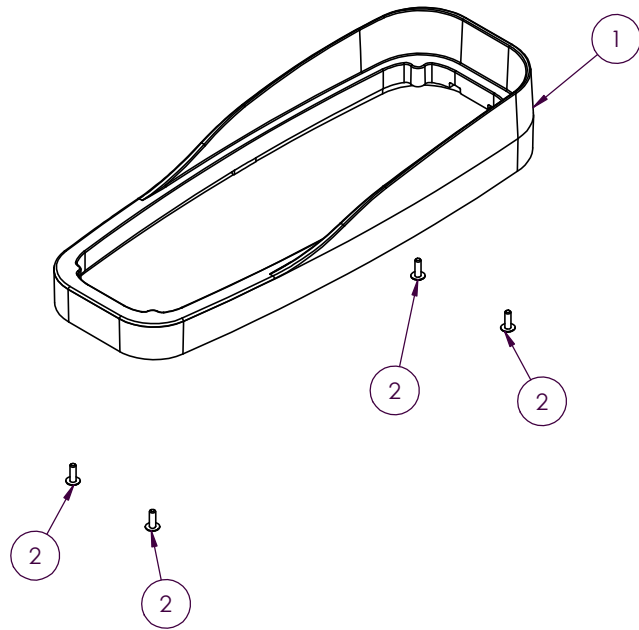
NOTE: ALL WEIGHTS AND DIMENSIONS ARE FOR REFERENCE ONLY

CONFIDENTIAL INFORMATION
 OF TRUE FITNESS TECHNOLOGY, INC., O'FALLON, MO. IT IS LOANED FOR CONFIDENTIAL USE. SUBJECT TO RETURN ON REQUEST, AND WITH THE MUTUAL UNDERSTANDING THAT IT WILL NOT BE USED IN ANY MANNER DETRIMENTAL TO THE INTERESTS OF TRUE FITNESS TECHNOLOGY, INC.

REV.	MCF#	DESCRIPTION	DATE	BY	APPRVL	TITLE	MATERIAL:	NOTES:	DRAWN BY	DATE	WEIGHT (KG)	DWG. SIZE	TRUE PART #:	REV.
A	-	ORIGINAL RELEASE	-	-	-	FOOT PAD WITH VELCRO	Material <not specified>		JCP		0.97Kg	A	7XCS0019	0
						BREAK ALL SHARP CORNERS & EDGES UNLESS OTHERWISE SPECIFIED DIMENSIONS ARE IN MILLIMETERS TOLERANCES UNLESS NOTED: DECIMALS: .X ±.787mm .XX ±.381mm .XXX ±.127mm ANGULAR ±1° HOLES ±.127mm DO NOT SCALE DRAWING						TRUE FITNESS TECHNOLOGY, INC. O'FALLON, MO. 63366		

7XCS0020BK

ITEM NO.	PART NUMBER	Rexon Part #	DESCRIPTION	QTY.
1	7XC0090BK	10J63DZ1	FOOT SKATE - XCS400	1
2	26343AG9	26343AG9	M5X16 PHILLIPS ROUNDED HEAD SCREW	4



NOTE: ALL WEIGHTS AND DIMENSIONS ARE FOR REFERENCE ONLY

CONFIDENTIAL INFORMATION
 OF TRUE FITNESS TECHNOLOGY, INC., O'FALLON, MO. IT IS LOANED FOR CONFIDENTIAL USE. SUBJECT TO RETURN ON REQUEST, AND WITH THE MUTUAL UNDERSTANDING THAT IT WILL NOT BE USED IN ANY MANNER DETRIMENTAL TO THE INTERESTS OF TRUE FITNESS TECHNOLOGY, INC.

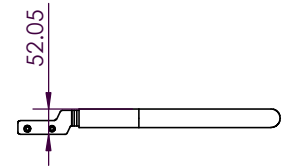
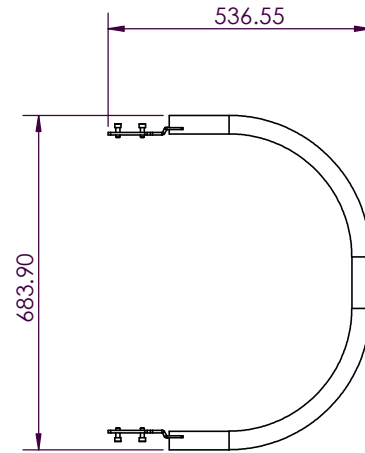
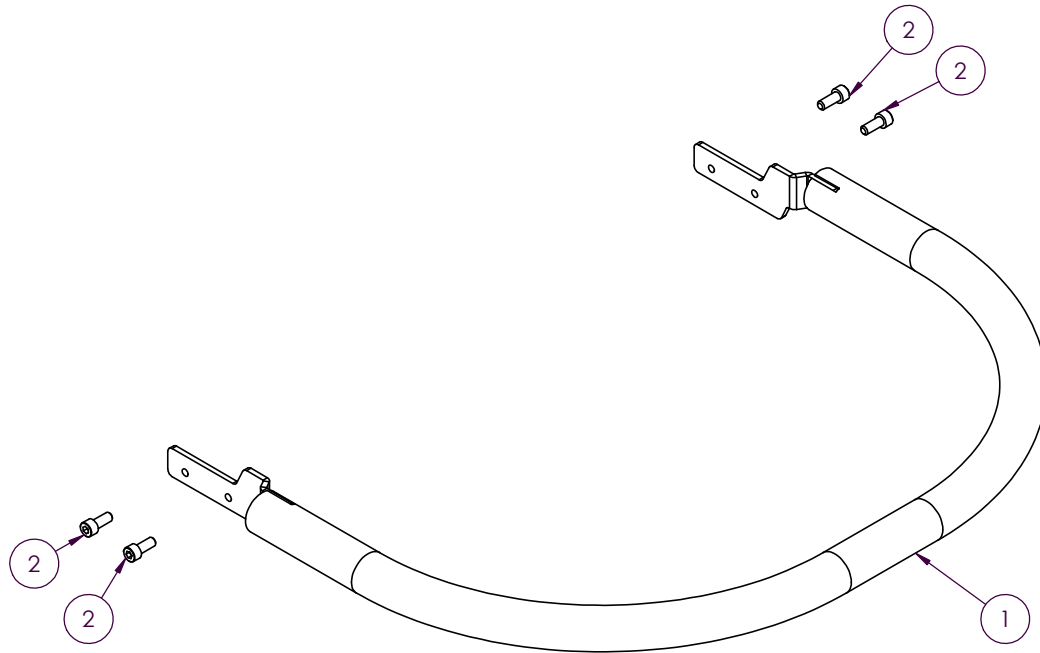
REV.	MCF#	DESCRIPTION	DATE	BY	APPRVL
A	-	ORIGINAL RELEASE	-	-	-

TITLE			
FOOT SKATE ASSEMBLY			
MATERIAL:		Material <not specified>	
NOTES:			
DRAWN BY		DATE	WEIGHT (KG)
JCP			0.36Kg
		DWG. SIZE	TRUE PART #:
O'FALLON, MO. 63366		A	7XCS0020BK
			REV.
			0

BREAK ALL SHARP CORNERS & EDGES
 UNLESS OTHERWISE SPECIFIED DIMENSIONS ARE IN MILLIMETERS
 TOLERANCES UNLESS NOTED:
 DECIMALS:
 .X ±.787mm
 .XX ±.381mm
 .XXX ±.127mm
 ANGULAR ±1°
 HOLES ±.127mm
 DO NOT SCALE DRAWING

7XCS0021BK

ITEM NO.	PART NUMBER	Rexon Part #	DESCRIPTION	QTY.
1	7XC0024BK	10J63C01	CHIN BAR	1
2	26022ZXH	26022ZXH	M8X20 SOCKET HEAD BOLT	4



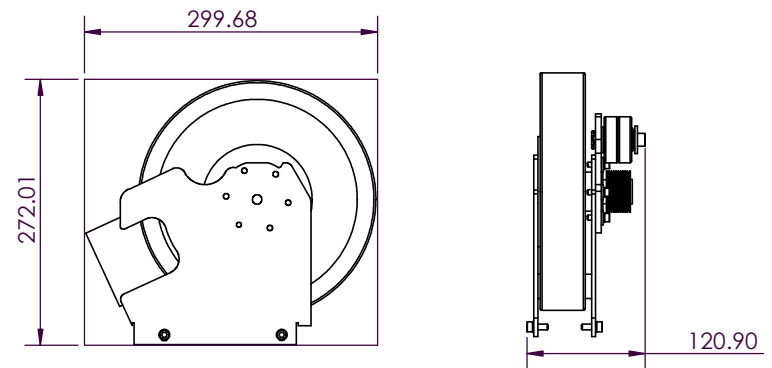
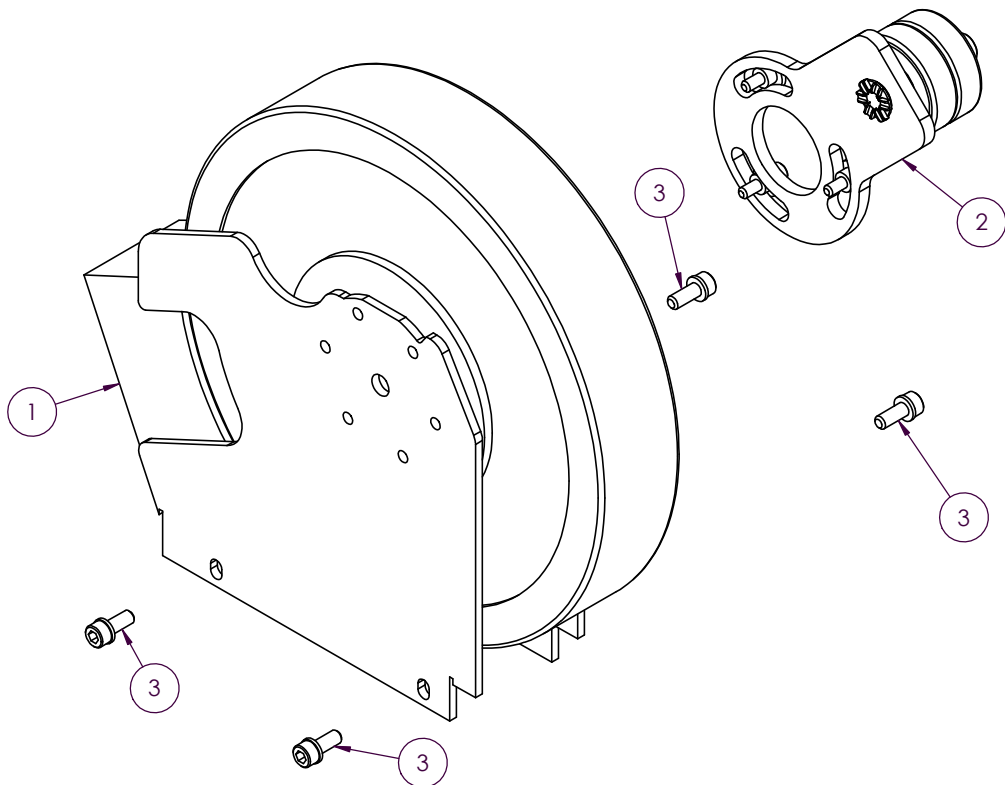
NOTE: ALL WEIGHTS AND DIMENSIONS ARE FOR REFERENCE ONLY

CONFIDENTIAL INFORMATION
 OF TRUE FITNESS TECHNOLOGY, INC., O'FALLON, MO. IT IS LOANED FOR CONFIDENTIAL USE. SUBJECT TO RETURN ON REQUEST, AND WITH THE MUTUAL UNDERSTANDING THAT IT WILL NOT BE USED IN ANY MANNER DETRIMENTAL TO THE INTERESTS OF TRUE FITNESS TECHNOLOGY, INC.

REV.	MCF#	DESCRIPTION	DATE	BY	APPRVL	TITLE	MATERIAL:	NOTES:	DRAWN BY	DATE	WEIGHT (KG)	DWG. SIZE	TRUE PART #:	REV.
						FRONT EXTENDED TUBE ASSY - XCS400	Material <not specified>		JCP		2.06Kg	A	7XCS0021BK	0
A	-	ORIGINAL RELEASE	-	-	-	BREAK ALL SHARP CORNERS & EDGES								
						UNLESS OTHERWISE SPECIFIED DIMENSIONS ARE IN MILLIMETERS								
						TOLERANCES UNLESS NOTED: DECIMALS: .X ±.787mm .XX ±.381mm .XXX ±.127mm ANGULAR ±1° HOLES ±.127mm								
						DO NOT SCALE DRAWING								

7XCS0023

ITEM NO.	PART NUMBER	Rexon Part #	DESCRIPTION	QTY.
1	7XC0064	10J63C3R	GENERATOR BRAKE	1
2	7XCS0105		IDLER BRACKET ASSY	1
3	26173FZ6	26173FZ6	M6X14 SEMS HEX HEAD BOLT	4



NOTE: ALL WEIGHTS AND DIMENSIONS ARE FOR REFERENCE ONLY

CONFIDENTIAL INFORMATION
 OF TRUE FITNESS TECHNOLOGY, INC., O'FALLON, MO. IT IS LOANED FOR CONFIDENTIAL USE. SUBJECT TO RETURN ON REQUEST, AND WITH THE MUTUAL UNDERSTANDING THAT IT WILL NOT BE USED IN ANY MANNER DETRIMENTAL TO THE INTERESTS OF TRUE FITNESS TECHNOLOGY, INC.

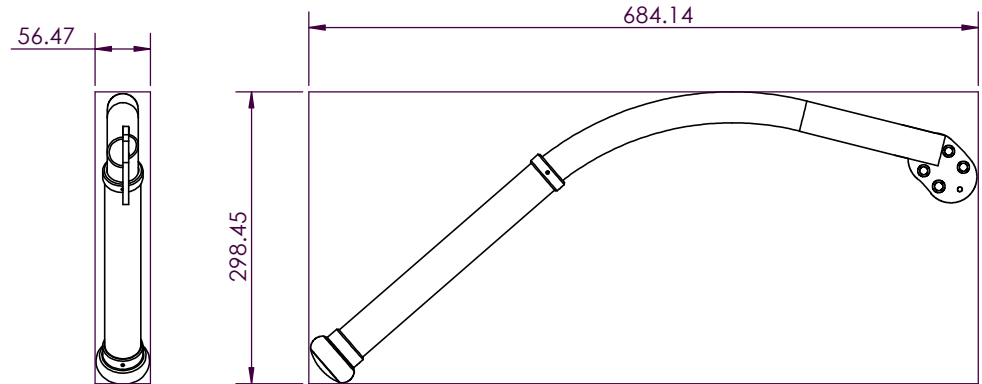
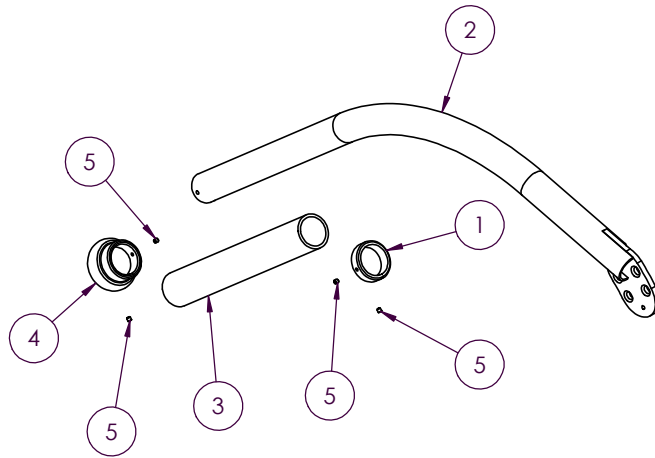
REV.	MCF#	DESCRIPTION	DATE	BY	APPRVL
A	-	ORIGINAL RELEASE	-	-	-

TITLE GENERATOR BRAKE ASSY - XCS400			
MATERIAL: Material <not specified>		NOTES:	
DRAWN BY JCP		DATE	WEIGHT (KG) 21.20Kg
		DWG. SIZE A	TRUE PART #: 7XCS0023
			REV. 0

BREAK ALL SHARP CORNERS & EDGES
 UNLESS OTHERWISE SPECIFIED DIMENSIONS ARE IN MILLIMETERS
 TOLERANCES UNLESS NOTED:
 DECIMALS:
 .X ±.787mm
 .XX ±.381mm
 .XXX ±.127mm
 ANGULAR ±1°
 HOLES ±.127mm
 DO NOT SCALE DRAWING

7XCS0025ABK

ITEM NO.	True Part #	Rexon Part #	DESCRIPTION	QTY.
1	7PX0131BK	10E12NNP	COLLAR, HANDLEBAR CHROME 10E12NNP	1
2	7XC0051BK	10J63CGS	LEFT UPPER EXERCISE ARM WELDMENT	1
3	7XC0049	10E12NQQ	UPPER EXERCISE ARM GRIP	1
4	7PX0130BK	10E12NNN	KNOB, HANDLEBAR CHROME 10E12NNN	1
5	7XC0050	26062SJZ	SET SCREW	4



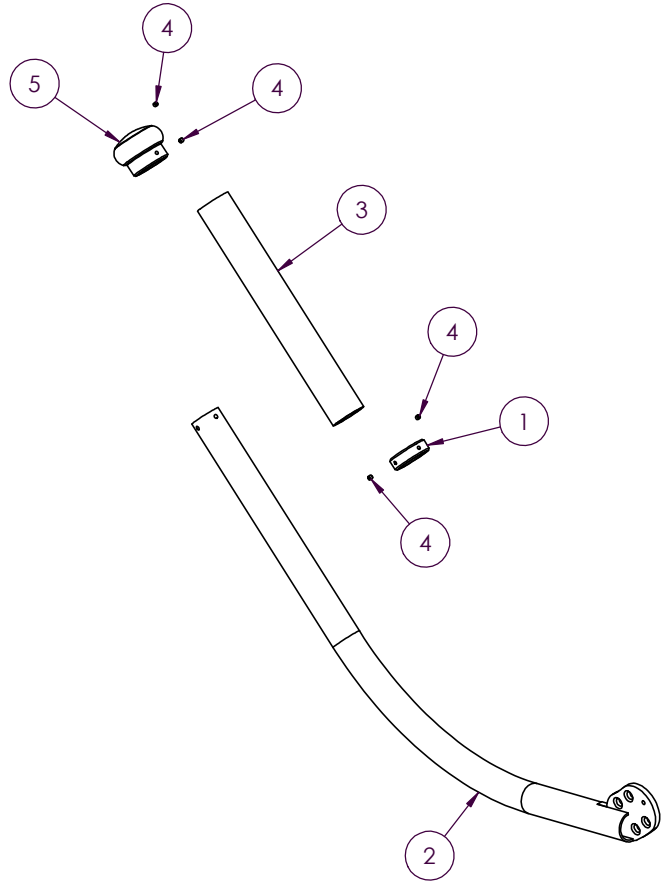
NOTE: ALL WEIGHTS AND DIMENSIONS ARE FOR REFERENCE ONLY

CONFIDENTIAL INFORMATION

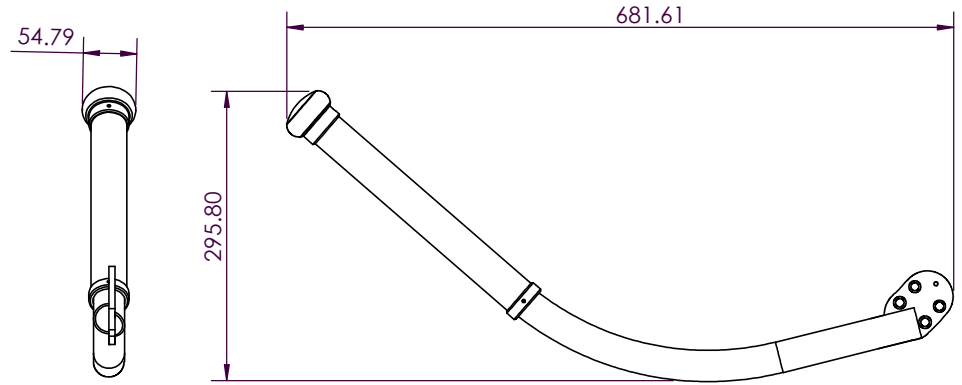
OF TRUE FITNESS TECHNOLOGY, INC., O'FALLON, MO. IT IS LOANED FOR CONFIDENTIAL USE. SUBJECT TO RETURN ON REQUEST, AND WITH THE MUTUAL UNDERSTANDING THAT IT WILL NOT BE USED IN ANY MANNER DETRIMENTAL TO THE INTERESTS OF TRUE FITNESS TECHNOLOGY, INC.

REV.	MCF#	DESCRIPTION	DATE	BY	APPRVL	TITLE	MATERIAL:	WEIGHT (KG)	REV.
A	-	ORIGINAL RELEASE	-	-	-	UPPER EXERCISE ARM: XCS400/L; XCS900/R	Material <not specified>	1.73Kg	0
						BREAK ALL SHARP CORNERS & EDGES UNLESS OTHERWISE SPECIFIED DIMENSIONS ARE IN MILLIMETERS TOLERANCES UNLESS NOTED: DECIMALS: .X ±.787mm .XX ±.381mm .XXX ±.127mm ANGULAR ±1° HOLES ±.127mm DO NOT SCALE DRAWING	NOTES: DRAWN BY: JCP DATE: TRUE FITNESS TECHNOLOGY, INC. O'FALLON, MO. 63366		

7XCS0025BBK



ITEM NO.	True Part #	Rexon Part #	DESCRIPTION	QTY.
1	7PX0131BK	10E12NNP	COLLAR, HANDLEBAR CHROME 10E12NNP	1
2	7XC0048BK	10J63CGT	RIGHT UPPER EXERCISE ARM WELDMENT	1
3	7XC0049	10E12NQQ	UPPER EXERCISE ARM GRIP	1
4	7XC0050	26062SJZ	SET SCREW	4
5	7PX0130BK	10E12NNN	KNOB, HANDLEBAR CHROME 10E12NNN	1



NOTE: ALL WEIGHTS AND DIMENSIONS ARE FOR REFERENCE ONLY

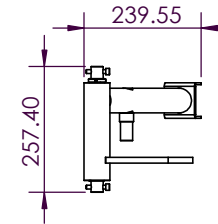
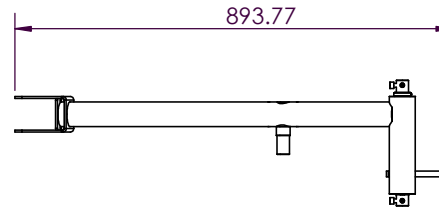
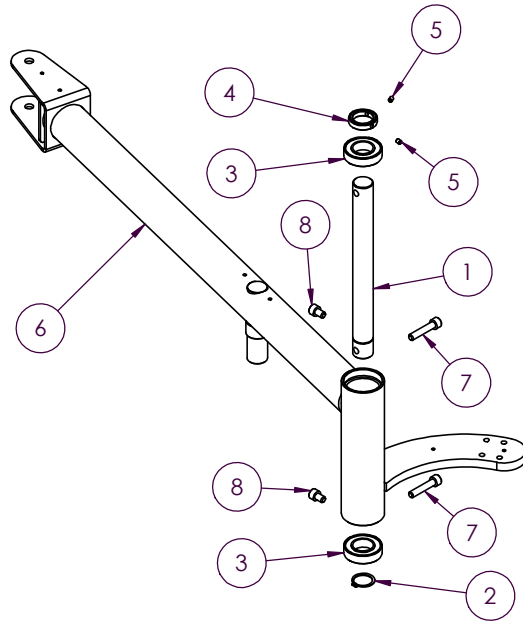
CONFIDENTIAL INFORMATION
 OF TRUE FITNESS TECHNOLOGY, INC., O'FALLON, MO. IT IS LOANED FOR CONFIDENTIAL USE. SUBJECT TO RETURN ON REQUEST, AND WITH THE MUTUAL UNDERSTANDING THAT IT WILL NOT BE USED IN ANY MANNER DETRIMENTAL TO THE INTERESTS OF TRUE FITNESS TECHNOLOGY, INC.

REV.	MCF#	DESCRIPTION	DATE	BY	APPRVL
A	-	ORIGINAL RELEASE	-	-	-

TITLE UPPER EXERCISE ARM: XCS400/R; XCS900/L			
BREAK ALL SHARP CORNERS & EDGES		MATERIAL: Material <not specified>	
UNLESS OTHERWISE SPECIFIED DIMENSIONS ARE IN MILLIMETERS			
NOTES:			
TOLERANCES UNLESS NOTED: DECIMALS: .X ±.787mm .XX ±.381mm .XXX ±.127mm ANGULAR ±1° HOLES ±.127mm DO NOT SCALE DRAWING		DRAWN BY JCP	WEIGHT (KG) 1.73Kg
FITNESS TECHNOLOGY, INC. O'FALLON, MO. 63366		DWG. SIZE A	REV. #: 7XCS0025BBK 0

7XCS0026LBK

ITEM NO.	PART NUMBER	Rexon Part #	DESCRIPTION	QTY.
1	7XT0005	10C72N1P	SHAFT, LINKAGE 10C72N1P	1
2	7SX0095	2570BBN125	C RING 2570BBN125	1
3	7SX0126	2001ZZ6005	BEARING, BALL 6005ZZ 2001ZZ6005	2
4	7XC0066	10C32DUW	8 MM SPACER	1
5	7XC0067	26062TXR	SET SCREW	2
6	7XC0080BK	10J63BZQ	LEFT HANDRAIL TUBE WELDMNT	1
7	26022NA6	26022NA6	M8X40 SOCKET HEAD SCREW	2
8	7SX0036	2602261H	M8X12 BOLT, HES SOC. HD. CAP 2602266	2



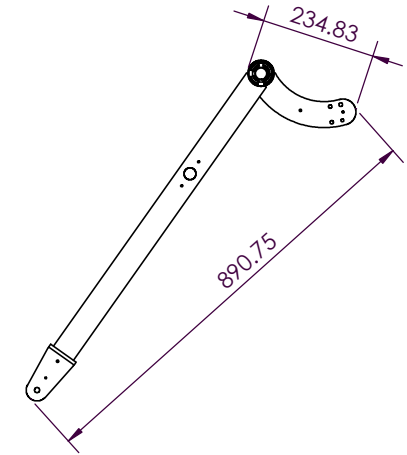
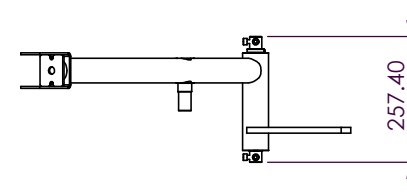
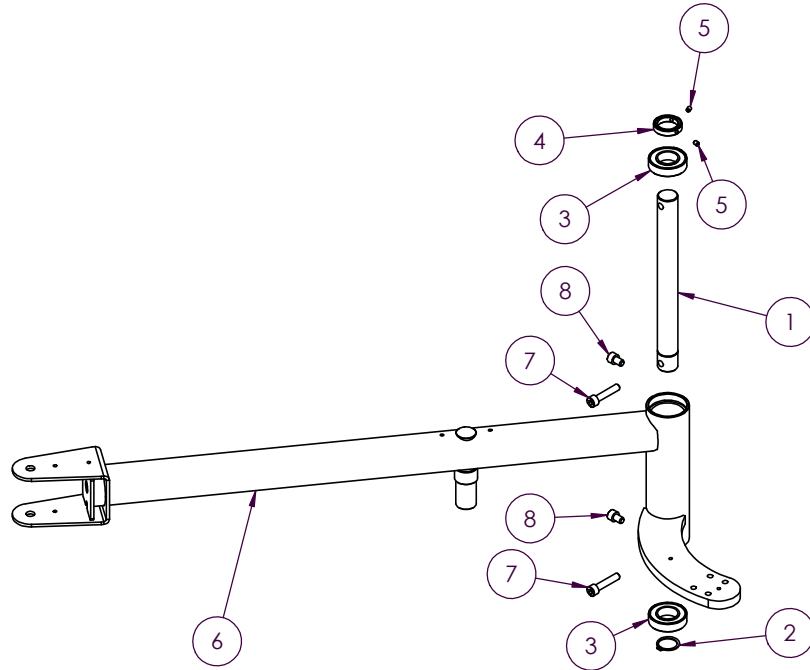
NOTE: ALL WEIGHTS AND DIMENSIONS ARE FOR REFERENCE ONLY

CONFIDENTIAL INFORMATION
 OF TRUE FITNESS TECHNOLOGY, INC., O'FALLON, MO. IT IS LOANED FOR CONFIDENTIAL USE. SUBJECT TO RETURN ON REQUEST, AND WITH THE MUTUAL UNDERSTANDING THAT IT WILL NOT BE USED IN ANY MANNER DETRIMENTAL TO THE INTERESTS OF TRUE FITNESS TECHNOLOGY, INC.

REV.	MCF#	DESCRIPTION	DATE	BY	APPRVL	TITLE	MATERIAL:	NOTES:	DRAWN BY	DATE	WEIGHT (KG)	DWG. SIZE	TRUE PART #:	REV.
A	-	ORIGINAL RELEASE	-	-	-	HANDRAIL TUBE ASSY (L) - XCS400	Material <not specified>		JCP		7.52Kg	A	7XCS0026LBK	0
						BREAK ALL SHARP CORNERS & EDGES UNLESS OTHERWISE SPECIFIED DIMENSIONS ARE IN MILLIMETERS TOLERANCES UNLESS NOTED: DECIMALS: .X ±.787mm .XX ±.381mm .XXX ±.127mm ANGULAR ±1° HOLES ±.127mm DO NOT SCALE DRAWING		FITNESS TECHNOLOGY, INC. O'FALLON, MO. 63366						

7XCS0026RBK

ITEM NO.	PART NUMBER	Rexon Part #	DESCRIPTION	QTY.
1	7XT0005	10C72N1P	SHAFT, LINKAGE 10C72N1P	1
2	7SX0095	2570BBN125	C RING 2570BBN125	1
3	7SX0126	2001ZZ6005	BEARING, BALL 6005ZZ 2001ZZ6005	2
4	7XC0066	10C32DUW	8 MM SPACER	1
5	7XC0067	26062TXR	SET SCREW	2
6	7XC0079BK	10J63BZR	RIGHT HANDRAIL TUBE WELDMENT	1
7	26022NA6	26022NA6	M8X40 SOCKET HEAD SCREW	2
8	7SX0036	2602261H	M8X12 BOLT, HES SOC. HD. CAP 2602266	2



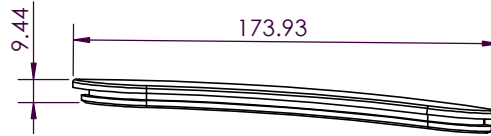
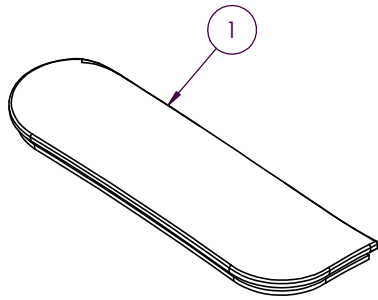
NOTE: ALL WEIGHTS AND DIMENSIONS ARE FOR REFERENCE ONLY

CONFIDENTIAL INFORMATION
 OF TRUE FITNESS TECHNOLOGY, INC., O'FALLON, MO. IT IS LOANED FOR CONFIDENTIAL USE. SUBJECT TO RETURN ON REQUEST, AND WITH THE MUTUAL UNDERSTANDING THAT IT WILL NOT BE USED IN ANY MANNER DETRIMENTAL TO THE INTERESTS OF TRUE FITNESS TECHNOLOGY, INC.

REV.	MCF#	DESCRIPTION	DATE	BY	APPRVL	TITLE	MATERIAL:	DATE	WEIGHT (KG)	DWG. SIZE	TRUE PART #:	REV.
A	-	ORIGINAL RELEASE	-	-	-	HANDRAIL TUBE ASSY (R) - XCS400	Material <not specified>		7.52Kg	A	7XCS0026RBK	
						BREAK ALL SHARP CORNERS & EDGES UNLESS OTHERWISE SPECIFIED DIMENSIONS ARE IN MILLIMETERS TOLERANCES UNLESS NOTED: DECIMALS: .X ±.787mm .XX ±.381mm .XXX ±.127mm ANGULAR ±1° HOLES ±.127mm DO NOT SCALE DRAWING						
						NOTES: DRAWN BY: 7XCS0026R FITNES TECHNOLOGY, INC. O'FALLON, MO. 63366						

7XCS0027LBK


ITEM NO.	TRUE PART #	Rexon Part #	DESCRIPTION	QTY.
1	7XCS0027LBK	10J63C1K	INNER FRONT EXCESS (L) - XCS400	1



NOTE: ALL WEIGHTS AND DIMENSIONS ARE FOR REFERENCE ONLY

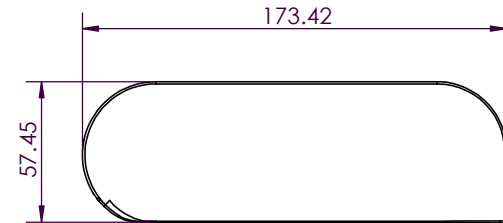
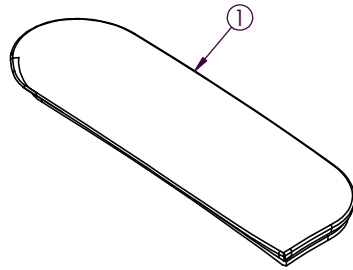
CONFIDENTIAL INFORMATION

OF TRUE FITNESS TECHNOLOGY, INC., O'FALLON, MO. IT IS LOANED FOR CONFIDENTIAL USE. SUBJECT TO RETURN ON REQUEST, AND WITH THE MUTUAL UNDERSTANDING THAT IT WILL NOT BE USED IN ANY MANNER DETRIMENTAL TO THE INTERESTS OF TRUE FITNESS TECHNOLOGY, INC.

REV.	MCF#	DESCRIPTION	DATE	BY	APPRVL	TITLE	MATERIAL:	DATE	WEIGHT (KG)	REV.
A	-	ORIGINAL RELEASE	-	-	-	INNER FRONT EXCESS (L) - XCS400	ABS PC	7/5/2018	0.04Kg	-
						BREAK ALL SHARP CORNERS & EDGES UNLESS OTHERWISE SPECIFIED DIMENSIONS ARE IN MILLIMETERS TOLERANCES UNLESS NOTED: DECIMALS: .X ±.787mm .XX ±.381mm .XXX ±.127mm ANGULAR ±1° HOLES ±.127mm DO NOT SCALE DRAWING	NOTES:			
							DRAWN BY: JCP			
							 FITNESS TECHNOLOGY, INC. O'FALLON, MO. 63366	DWG. SIZE: A	TRUE PART #:	7XCS0027LBK

7XCS0027RBK

ITEM NO.	TRUE PART #	Rexon Part #	DESCRIPTION	QTY.
1	7XCS0027RBK	10J63C1L	INNER FRONT EXCESS (R) - XCS400	1



NOTE: ALL WEIGHTS AND DIMENSIONS ARE FOR REFERENCE ONLY

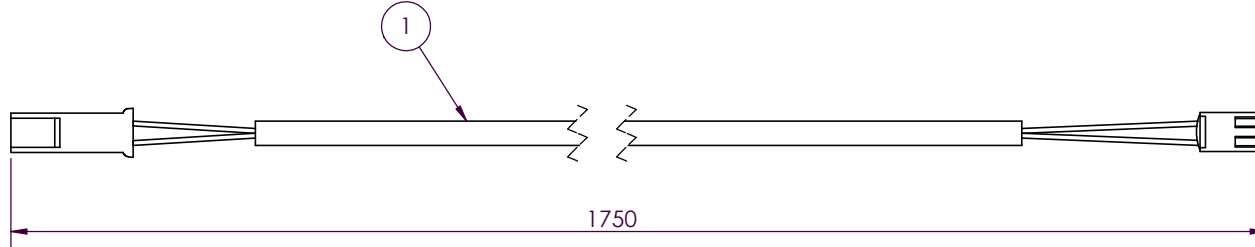
CONFIDENTIAL INFORMATION

OF TRUE FITNESS TECHNOLOGY, INC., O'FALLON, MO, IT IS LOANED FOR CONFIDENTIAL USE. SUBJECT TO RETURN ON REQUEST, AND WITH THE MUTUAL UNDERSTANDING THAT IT WILL NOT BE USED IN ANY MANNER DETRIMENTAL TO THE INTERESTS OF TRUE FITNESS TECHNOLOGY, INC.

REV.	MCF#	DESCRIPTION	DATE	BY	APPRVL	TITLE	MATERIAL:	DATE	WEIGHT (KG)	REV.
A	-	ORIGINAL RELEASE	-	-	-	INNER FRONT EXCESS (R) - XCS400	ABS PC	7/5/2018	0.04Kg	-
						BREAK ALL SHARP CORNERS & EDGES				
						UNLESS OTHERWISE SPECIFIED DIMENSIONS ARE IN MILLIMETERS	NOTES:			
						TOLERANCES UNLESS NOTED: DECIMALS: .X ±.787mm .XX ±.381mm .XXX ±.127mm ANGULAR ±1° HOLES ±.127mm DO NOT SCALE DRAWING	DRAWN BY JCP			
							TRUE FITNESS TECHNOLOGY, INC. O'FALLON, MO. 63366	DWG. SIZE A	TRUE PART #: 7XCS0027RBK	


7XCS0029

ITEM NO.	PART NUMBER	REXON PART #	DESCRIPTION	QTY.
1	7XCS0029	10J63C4D	BRAKE RESISTANCE WIRE	1



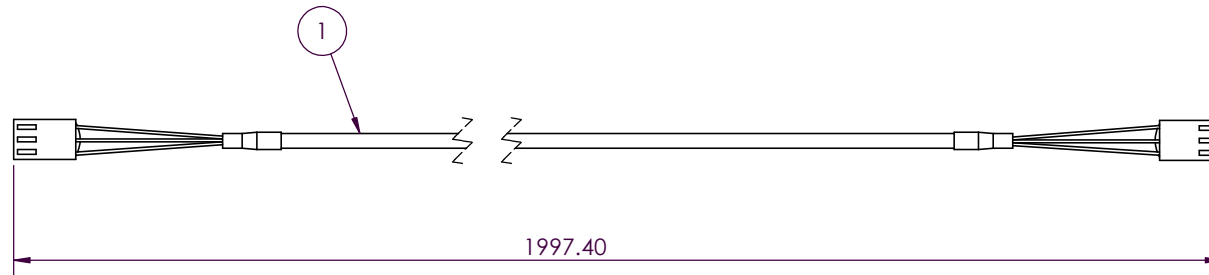
NOTE: ALL WEIGHTS AND DIMENSIONS ARE FOR REFERENCE ONLY

CONFIDENTIAL INFORMATION
 OF TRUE FITNESS TECHNOLOGY, INC., O'FALLON, MO. IT IS LOANED FOR CONFIDENTIAL USE. SUBJECT TO RETURN ON REQUEST, AND WITH THE MUTUAL UNDERSTANDING THAT IT WILL NOT BE USED IN ANY MANNER DETRIMENTAL TO THE INTERESTS OF TRUE FITNESS TECHNOLOGY, INC.

REV.	MCF#	DESCRIPTION	DATE	BY	APPRVL	TITLE	MATERIAL:	NOTES:	DRAWN BY	DATE	WEIGHT (KG)	DWG. SIZE	TRUE PART #:	REV.
						BRAKE RESISTANCE WIRE	Material <not specified>				0.30Kg	A	7XCS0029	
A	-	ORIGINAL RELEASE	-	-	-	BREAK ALL SHARP CORNERS & EDGES								
						UNLESS OTHERWISE SPECIFIED DIMENSIONS ARE IN MILLIMETERS								
						TOLERANCES UNLESS NOTED: DECIMALS: .X ±.787mm .XX ±.381mm .XXX ±.127mm ANGULAR ±1° HOLES ±.127mm								
						DO NOT SCALE DRAWING								
														

7XCS0030

ITEM NO.	PART NUMBER	REXON PART #	DESCRIPTION	QTY.
1	XCS0030	10J63C4E	BRAKE GENERATOR CABLE	1

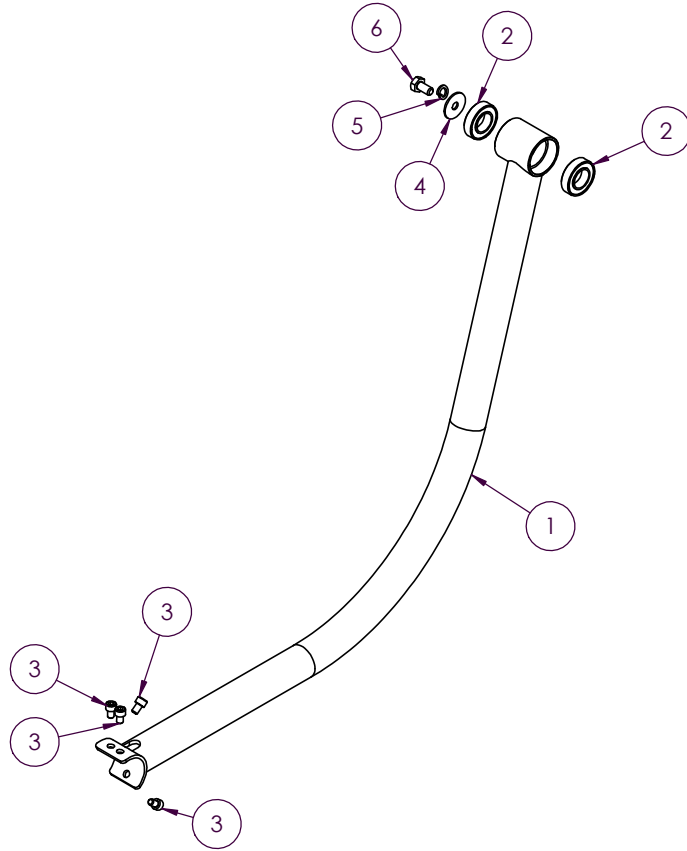


NOTE: ALL WEIGHTS AND DIMENSIONS ARE FOR REFERENCE ONLY

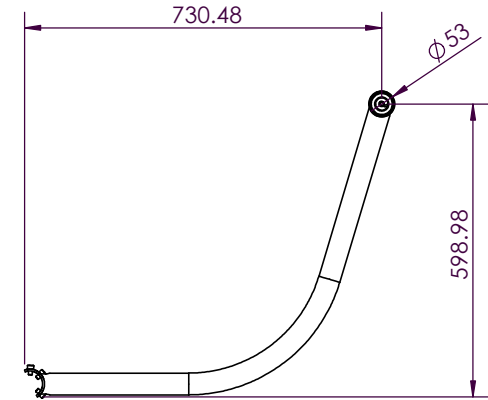
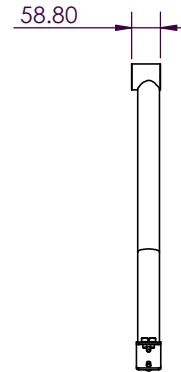
CONFIDENTIAL INFORMATION
 OF TRUE FITNESS TECHNOLOGY, INC., O'FALLON, MO. IT IS LOANED FOR CONFIDENTIAL USE. SUBJECT TO RETURN ON REQUEST, AND WITH THE MUTUAL UNDERSTANDING THAT IT WILL NOT BE USED IN ANY MANNER DETRIMENTAL TO THE INTERESTS OF TRUE FITNESS TECHNOLOGY, INC.

REV.	MCF#	DESCRIPTION	DATE	BY	APPRVL	TITLE	MATERIAL:	DATE	WEIGHT (KG)	DWG. SIZE	TRUE PART #:	REV.
						BRAKE GENERATOR CABLE	Material <not specified>		0.12Kg	A	7XCS0030	
A	-	ORIGINAL RELEASE	-	-	-	BREAK ALL SHARP CORNERS & EDGES	NOTES:					
						UNLESS OTHERWISE SPECIFIED DIMENSIONS ARE IN MILLIMETERS						
						TOLERANCES UNLESS NOTED: DECIMALS: .X ±.787mm .XX ±.381mm .XXX ±.127mm ANGULAR ±1° HOLES ±.127mm						
						DO NOT SCALE DRAWING						

7XCS0031LBK



ITEM NO.	PART NUMBER	Rexon Part #	DESCRIPTION	QTY.
1	7XC0044BK	10E12N2V	LEFT LINKAGE ARM WELDMENT	1
2	7SX0126	2001ZZ6005	BEARING, BALL 6005ZZ 2001ZZ6005	2
3	26023C89	26023C89	M8X12 SOCKET HEAD SCREW	4
4	7XP0154	10C32DM4	FLAT WASHER ID- 10.2mm, OD-35mm, thick: 2mm	1
5	2502AZC410	2502AZC410	SPLIT LOCK WASHER M10, thick-2.2 mm	1
6	7PX0153	26012DVG	M10X20 BOLT, HEX HEAD 26012DVG	1



NOTE: ALL WEIGHTS AND DIMENSIONS ARE FOR REFERENCE ONLY

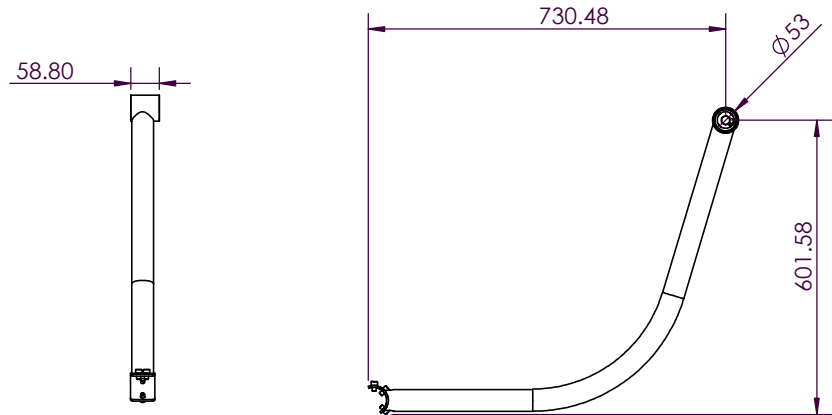
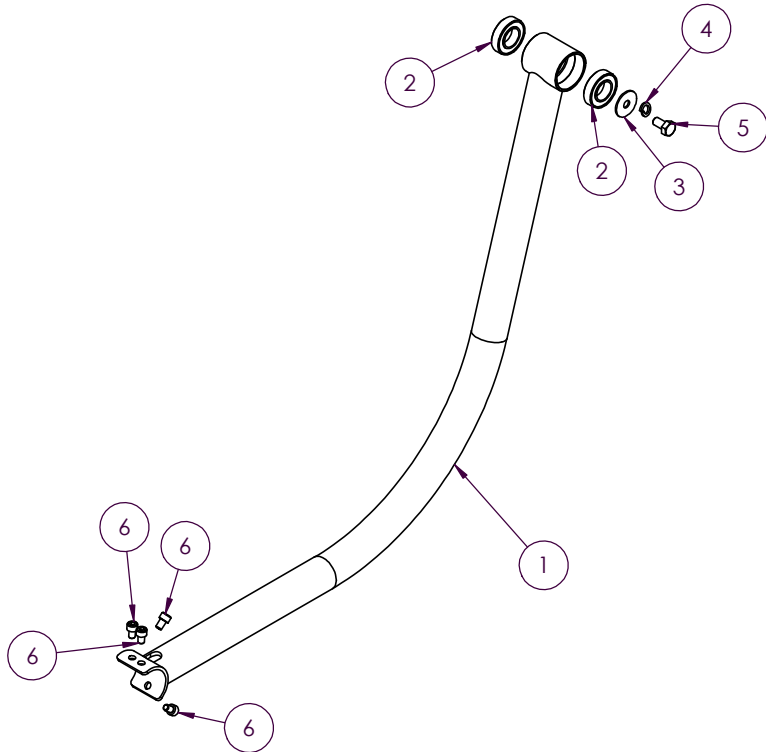
CONFIDENTIAL INFORMATION
 OF TRUE FITNESS TECHNOLOGY, INC., O'FALLON, MO. IT IS LOANED FOR CONFIDENTIAL USE. SUBJECT TO RETURN ON REQUEST, AND WITH THE MUTUAL UNDERSTANDING THAT IT WILL NOT BE USED IN ANY MANNER DETRIMENTAL TO THE INTERESTS OF TRUE FITNESS TECHNOLOGY, INC.

REV.	MCF#	DESCRIPTION	DATE	BY	APPRVL
A	-	ORIGINAL RELEASE	-	-	-

TITLE				LINKAGE ASSY (L) - XCS400	
BREAK ALL SHARP CORNERS & EDGES		MATERIAL: Material <not specified>			
UNLESS OTHERWISE SPECIFIED DIMENSIONS ARE IN MILLIMETERS		NOTES:			
TOLERANCES UNLESS NOTED: DECIMALS: .X ±.787mm .XX ±.381mm .XXX ±.127mm ANGULAR ±1° HOLES ±.127mm DO NOT SCALE DRAWING		DRAWN BY JCP		WEIGHT (KG) 5.67Kg	
FITNESS TECHNOLOGY, INC. O'FALLON, MO. 63366		DWG. SIZE A		TRUE PART #: 7XCS0031LBK	
					REV. 0

7XCS0031RBK

ITEM NO.	PART NUMBER	Rexon Part #	DESCRIPTION	QTY.
1	7XC0043BK	10E12N2W	RIGHT LINKAGE ARM WELDMENT	1
2	7SX0126	2001ZZ6005	BEARING, BALL 6005ZZ 2001ZZ6005	2
3	7XP0154	10C32DM4	FLAT WASHER ID- 10.2mm, OD- 35mm, thick: 2mm	1
4	2502AZC410	2502AZC410	SPLIT LOCK WASHER M10, thick- 2.2 mm	1
5	7PX0153	26012DVG	M10X20 BOLT, HEX HEAD 26012DVG	1
6	26023C89	26023C89	M8X12 SOCKET HEAD SCREW	4



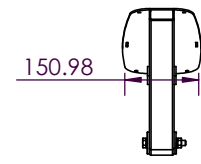
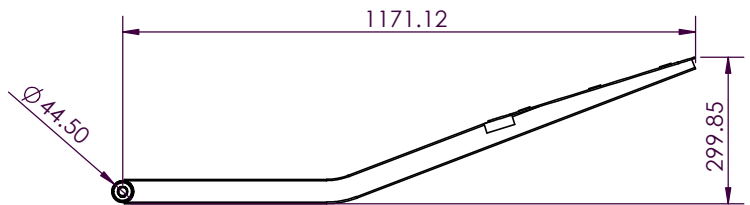
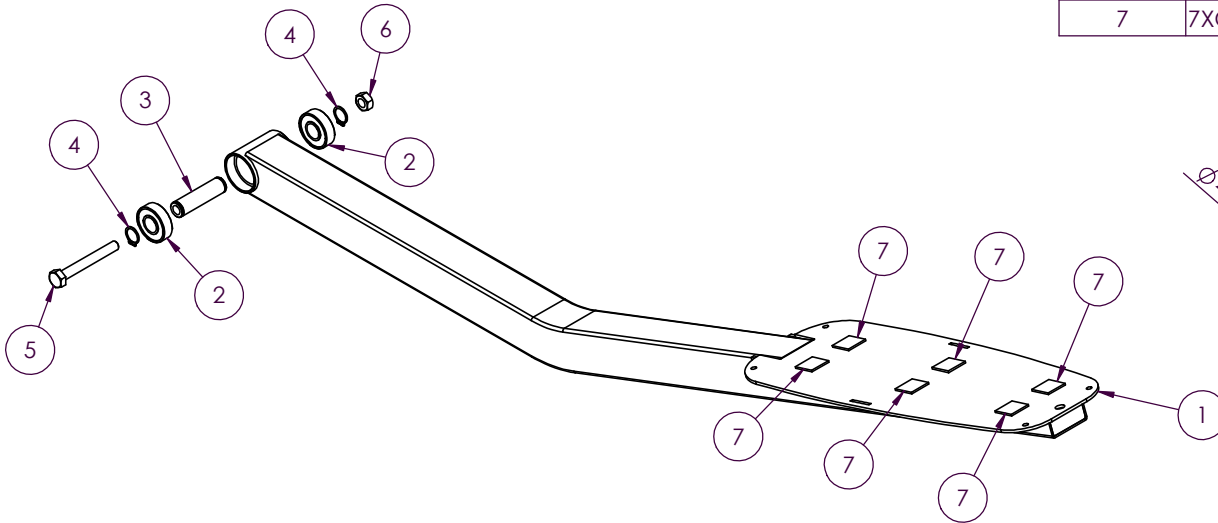
NOTE: ALL WEIGHTS AND DIMENSIONS ARE FOR REFERENCE ONLY

CONFIDENTIAL INFORMATION
 OF TRUE FITNESS TECHNOLOGY, INC., O'FALLON, MO. IT IS LOANED FOR CONFIDENTIAL USE. SUBJECT TO RETURN ON REQUEST, AND WITH THE MUTUAL UNDERSTANDING THAT IT WILL NOT BE USED IN ANY MANNER DETRIMENTAL TO THE INTERESTS OF TRUE FITNESS TECHNOLOGY, INC.

REV.	MCF#	DESCRIPTION	DATE	BY	APPRVL	TITLE	MATERIAL:	WEIGHT (KG)	REV.
A	-	ORIGINAL RELEASE	-	-	-	LINKAGE ASSY (R) - XCS400	Material <not specified>	5.67Kg	0
						BREAK ALL SHARP CORNERS & EDGES UNLESS OTHERWISE SPECIFIED DIMENSIONS ARE IN MILLIMETERS TOLERANCES UNLESS NOTED: DECIMALS: .X ±.787mm .XX ±.381mm .XXX ±.127mm ANGULAR ±1° HOLES ±.127mm DO NOT SCALE DRAWING	NOTES: DRAWN BY: JCP DATE: TRUE PART #: 7XCS0031RBK DWG. SIZE: A FITNES TECHNOLOGY, INC. O'FALLON, MO. 63366		

7XCS0032BK

ITEM NO.	PART NUMBER	Rexon Part #	DESCRIPTION	QTY.
1	7XC0053BK	10J33E0B	PEDAL TUBE WELDMENT	1
2	7XC0054	2001ZZ6203	BEARING	2
3	7XC0055	10C32GS1	BEARING ROD	1
4	7SX0105	2570BBN117	C RING 2570BBN117	2
5	7SX0115	260121BA	M10X80 BOLT, HEX HEAD 260121BA	1
6	7SX0116	270122RR	NUT, HEX 270122RR	1
7	7XC0056	10J339QE	1" VELCRO SQUARE	6



NOTE: ALL WEIGHTS AND DIMENSIONS ARE FOR REFERENCE ONLY

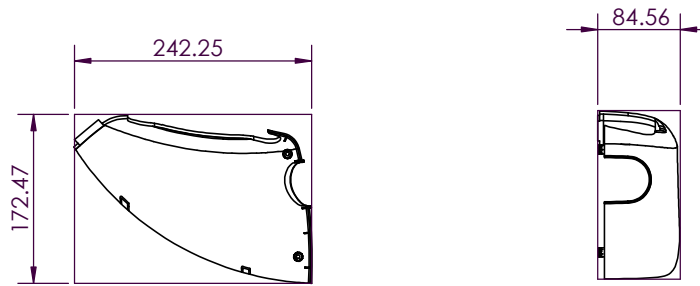
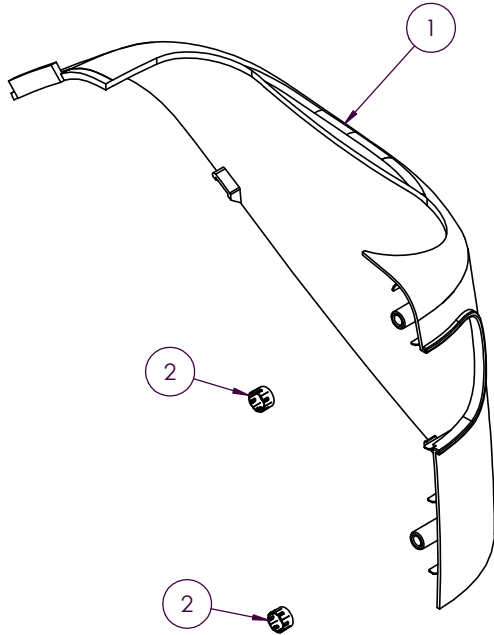
CONFIDENTIAL INFORMATION
OF TRUE FITNESS TECHNOLOGY, INC., O'FALLON, MO. IT IS LOANED FOR CONFIDENTIAL USE. SUBJECT TO RETURN ON REQUEST, AND WITH THE MUTUAL UNDERSTANDING THAT IT WILL NOT BE USED IN ANY MANNER DETRIMENTAL TO THE INTERESTS OF TRUE FITNESS TECHNOLOGY, INC.

REV.	MCF#	DESCRIPTION	DATE	BY	APPRVL
A	-	ORIGINAL RELEASE	-	-	-

TITLE				PEDAL TUBE ASSY - XCS400	
BREAK ALL SHARP CORNERS & EDGES				MATERIAL: Material <not specified>	
UNLESS OTHERWISE SPECIFIED DIMENSIONS ARE IN MILLIMETERS				NOTES:	
TOLERANCES UNLESS NOTED: DECIMALS: .X ±.787mm .XX ±.381mm .XXX ±.127mm ANGULAR ±1° HOLES ±.127mm DO NOT SCALE DRAWING				DRAWN BY: JCP	WEIGHT (KG): 5.16Kg
FITNESS TECHNOLOGY, INC. O'FALLON, MO. 63366				DWG. SIZE: A	TRUE PART #: 7XCS0032BK
				REV.:	0

7XCS0035LBK

ITEM NO.	PART NUMBER	Rexon Part #	DESCRIPTION	QTY.
1	7XC0026BK	10J63C0Q	PEDESTAL BASE COVER (L) - XCS400	1
2	7XC0034	271437W1	INSERT, REGULAR CAP TYPE, 5/16" PLASTIC BOSS	2



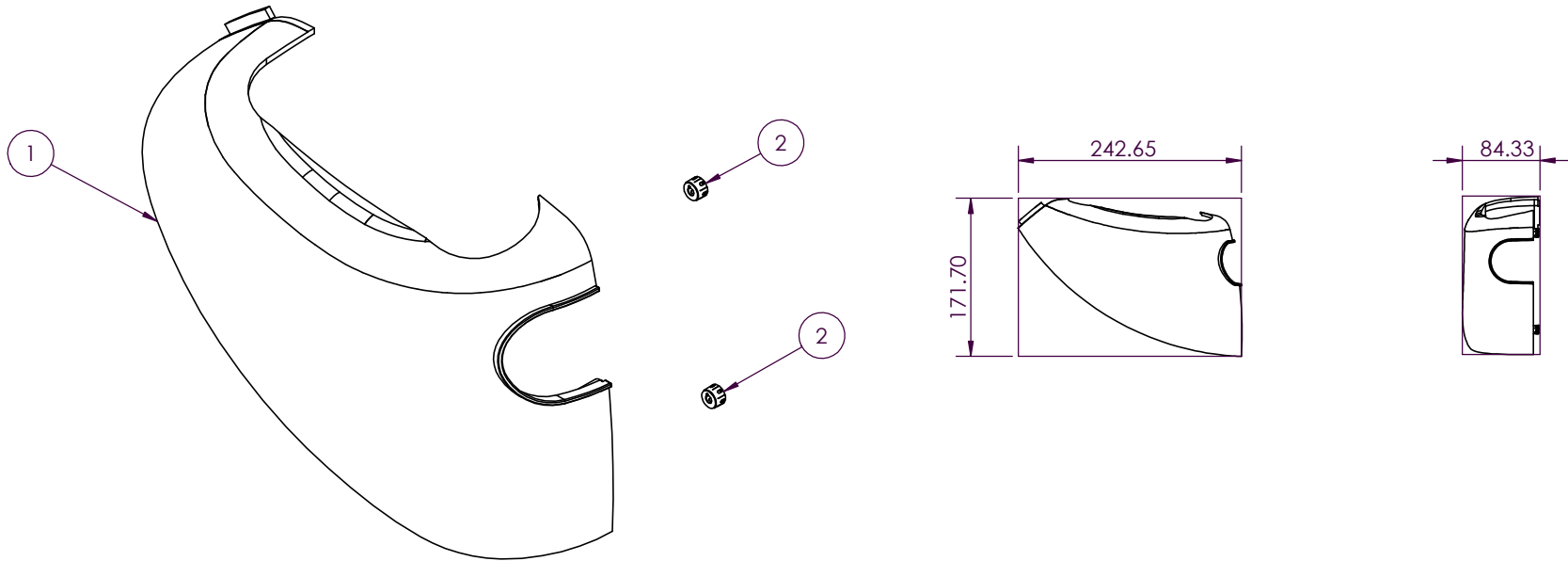
NOTE: ALL WEIGHTS AND DIMENSIONS ARE FOR REFERENCE ONLY

CONFIDENTIAL INFORMATION
 OF TRUE FITNESS TECHNOLOGY, INC., O'FALLON, MO. IT IS LOANED FOR CONFIDENTIAL USE. SUBJECT TO RETURN ON REQUEST, AND WITH THE MUTUAL UNDERSTANDING THAT IT WILL NOT BE USED IN ANY MANNER DETRIMENTAL TO THE INTERESTS OF TRUE FITNESS TECHNOLOGY, INC.

REV.	MCF#	DESCRIPTION	DATE	BY	APPRVL	TITLE	MATERIAL:	NOTES:	DRAWN BY	DATE	WEIGHT (KG)	DWG. SIZE	TRUE PART #:	REV.
						LEFT PEDESTAL BASE COVER	Material <not specified>		JCP		0.12Kg	A	7XCS0035LBK	0
A	-	ORIGINAL RELEASE	-	-	-	BREAK ALL SHARP CORNERS & EDGES								
						UNLESS OTHERWISE SPECIFIED DIMENSIONS ARE IN MILLIMETERS								
						TOLERANCES UNLESS NOTED: DECIMALS: .X ±.787mm .XX ±.381mm .XXX ±.127mm ANGULAR ±1° HOLES ±.127mm								
						DO NOT SCALE DRAWING								

7XCS0035RBK

ITEM NO.	PART NUMBER	Rexon Part #	DESCRIPTION	QTY.
1	7XC0025BK	10J63C0R	PEDESTAL BASE COVER (R) - XCS400	1
2	7XC0034	271437W1	INSERT, REGULAR CAP TYPE, 5/16" PLASTIC BOSS	2



NOTE: ALL WEIGHTS AND DIMENSIONS ARE FOR REFERENCE ONLY

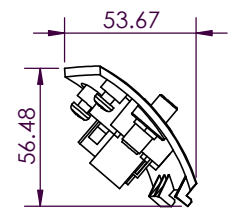
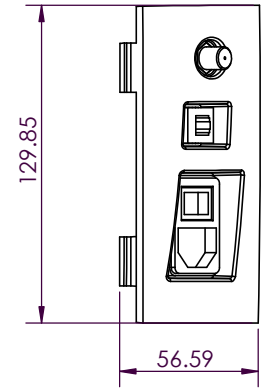
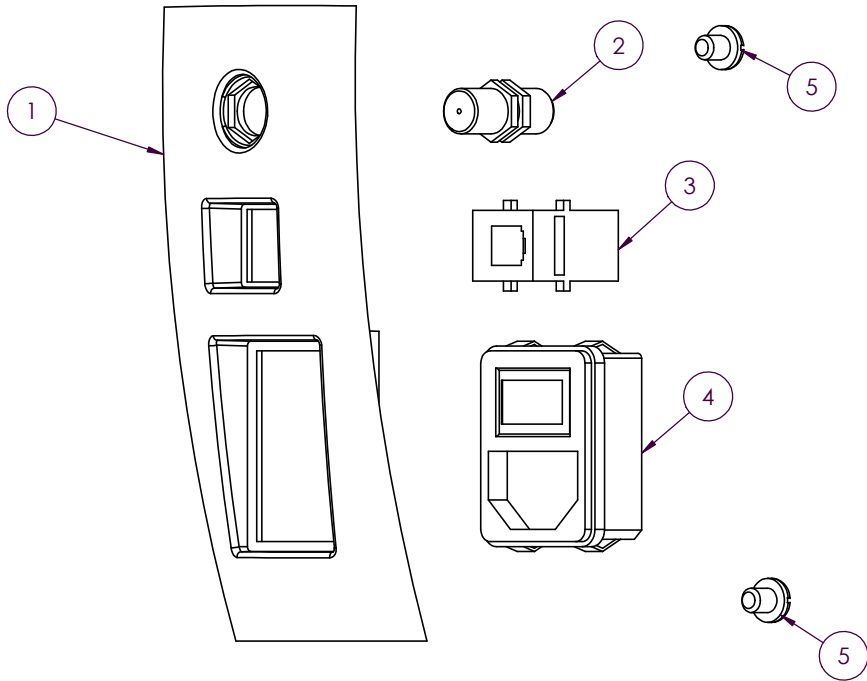
CONFIDENTIAL INFORMATION

OF TRUE FITNESS TECHNOLOGY, INC., O'FALLON, MO. IT IS LOANED FOR CONFIDENTIAL USE. SUBJECT TO RETURN ON REQUEST, AND WITH THE MUTUAL UNDERSTANDING THAT IT WILL NOT BE USED IN ANY MANNER DETRIMENTAL TO THE INTERESTS OF TRUE FITNESS TECHNOLOGY, INC.

REV.	MCF#	DESCRIPTION	DATE	BY	APPRVL	TITLE	MATERIAL:	DATE	WEIGHT (KG)	DWG. SIZE	TRUE PART #:	REV.
						RIGHT PEDESTAL BASE COVER	Material <not specified>		0.12Kg	A	7XCS0035RBK	0
A	-	ORIGINAL RELEASE	-	-	-	BREAK ALL SHARP CORNERS & EDGES	UNLESS OTHERWISE SPECIFIED DIMENSIONS ARE IN MILLIMETERS					
						TOLERANCES UNLESS NOTED: DECIMALS: .X ±.787mm .XX ±.381mm .XXX ±.127mm ANGULAR ±1° HOLES ±.127mm DO NOT SCALE DRAWING	NOTES:					
							DRAWN BY			JCP		

7XCS0037BK

ITEM NO.	PART NUMBER	Rexon Part #	DESCRIPTION	QTY.
1	7XC0078BK	10J63C0K	POWER INLET SHROUD	1
2	7XCS0115	10F12V86	COAXIAL CONNECTOR	1
3	7XCS0028	10E13018	LAN CONNECTOR 3018 - XCS400	1
4	7XCS0116	10J33BCZ	POWER SWITCH AND CONNECTOR	1
5	26682D1X	26682D1X	M5X6 PAN HEAD SCREW	2



NOTE: ALL WEIGHTS AND DIMENSIONS ARE FOR REFERENCE ONLY

CONFIDENTIAL INFORMATION
 OF TRUE FITNESS TECHNOLOGY, INC., O'FALLON, MO. IT IS LOANED FOR CONFIDENTIAL USE. SUBJECT TO RETURN ON REQUEST, AND WITH THE MUTUAL UNDERSTANDING THAT IT WILL NOT BE USED IN ANY MANNER DETRIMENTAL TO THE INTERESTS OF TRUE FITNESS TECHNOLOGY, INC.

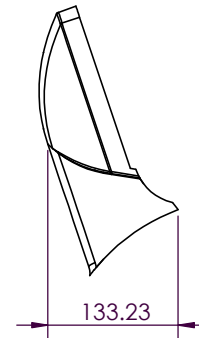
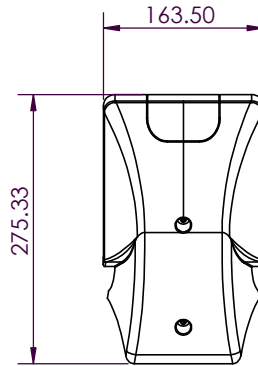
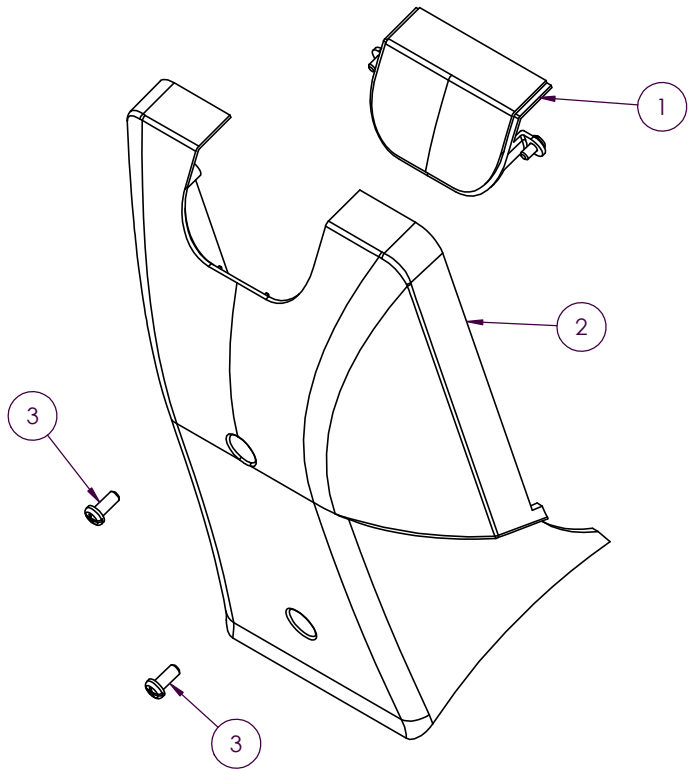
REV.	MCF#	DESCRIPTION	DATE	BY	APPRVL
A	-	ORIGINAL RELEASE	-	-	-

TITLE				POWER INLET ASSY - XCS400	
BREAK ALL SHARP CORNERS & EDGES				MATERIAL: Material <not specified>	
UNLESS OTHERWISE SPECIFIED DIMENSIONS ARE IN MILLIMETERS				NOTES:	
TOLERANCES UNLESS NOTED: DECIMALS: .X ±.787mm .XX ±.381mm .XXX ±.127mm ANGULAR ±1° HOLES ±.127mm DO NOT SCALE DRAWING				DRAWN BY: JCP	
				DATE:	
				WEIGHT (KG): 0.07Kg	
				DWG. SIZE: A	
				TRUE PART #: 7XCS0037BK	
				REV.: 0	



7XCS0038BK

ITEM NO.	PART NUMBER	Rexon Part #	DESCRIPTION	QTY.
1	7XCS0004BK		REAR CONSOLE MAST COVER UPPER INSERT ASSY - XCS400	1
2	7XC0057BK	10J63C0L	CONSOLE COVER SHROUD	1
3	7CX0079	26682RYH	M5X12 SCREW, CR RE PAN HEAD 26682RYH	2



NOTE: ALL WEIGHTS AND DIMENSIONS ARE FOR REFERENCE ONLY

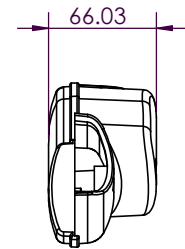
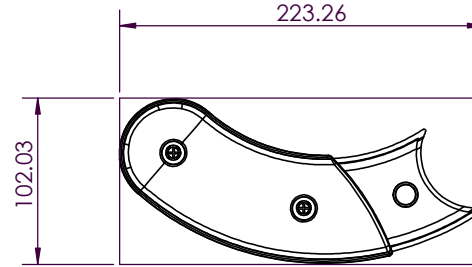
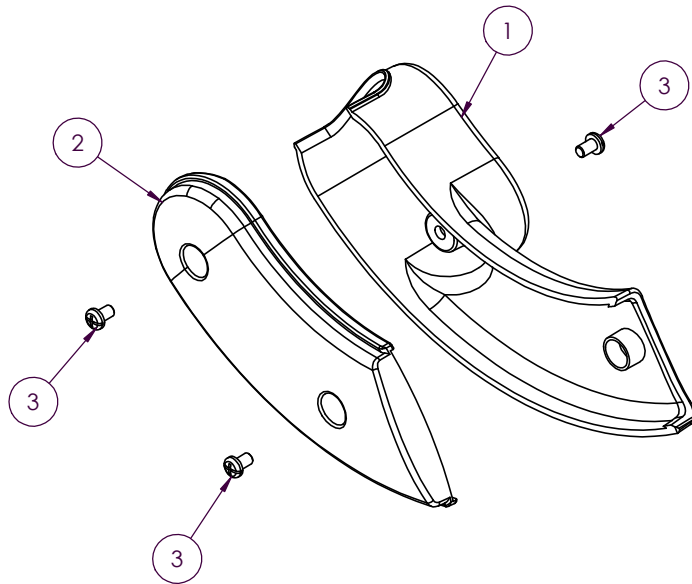
CONFIDENTIAL INFORMATION
 OF TRUE FITNESS TECHNOLOGY, INC., O'FALLON, MO. IT IS LOANED FOR CONFIDENTIAL USE. SUBJECT TO RETURN ON REQUEST, AND WITH THE MUTUAL UNDERSTANDING THAT IT WILL NOT BE USED IN ANY MANNER DETRIMENTAL TO THE INTERESTS OF TRUE FITNESS TECHNOLOGY, INC.

REV.	MCF#	DESCRIPTION	DATE	BY	APPRVL
A	-	ORIGINAL RELEASE	-	-	-

TITLE REAR CONSOLE COVER ASSY - XCS400			
BREAK ALL SHARP CORNERS & EDGES		MATERIAL: Material <not specified>	
UNLESS OTHERWISE SPECIFIED DIMENSIONS ARE IN MILLIMETERS			
TOLERANCES UNLESS NOTED: DECIMALS: .X ±.787mm .XX ±.381mm .XXX ±.127mm ANGULAR ±1° HOLES ±.127mm DO NOT SCALE DRAWING		NOTES:	
DRAWN BY JCP		DATE	WEIGHT (KG) 0.24Kg
		DWG. SIZE A	TRUE PART #: 7XCS0038BK
			REV. 0

7XCS0039LBK

ITEM NO.	PART NUMBER	Rexon Part #	DESCRIPTION	QTY.
1	7XC0062BK	10J339Q1	LEFT SHAFT COVER SET (L)	1
2	7XC0063BK	10J63CU8	LEFT SHAFT COVER SET (R)	1
3	7CX0063	26682NAK	M5X8 SCREW, CR RE PAN HEAD	3



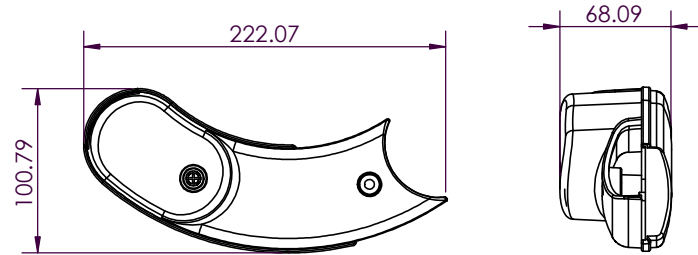
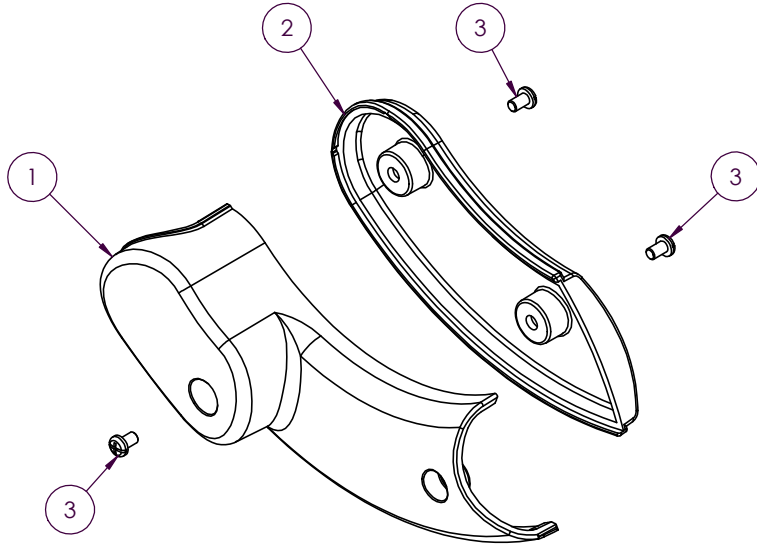
NOTE: ALL WEIGHTS AND DIMENSIONS ARE FOR REFERENCE ONLY

CONFIDENTIAL INFORMATION
 OF TRUE FITNESS TECHNOLOGY, INC., O'FALLON, MO. IT IS LOANED FOR CONFIDENTIAL USE. SUBJECT TO RETURN ON REQUEST, AND WITH THE MUTUAL UNDERSTANDING THAT IT WILL NOT BE USED IN ANY MANNER DETRIMENTAL TO THE INTERESTS OF TRUE FITNESS TECHNOLOGY, INC.

REV.	MCF#	DESCRIPTION	DATE	BY	APPRVL	TITLE	MATERIAL:	DATE	WEIGHT (KG)	DWG. SIZE	TRUE PART #:	REV.
A	-	ORIGINAL RELEASE	-	-	-	SHAFT COVER SET (L) - XCS400	Material <not specified>		0.13Kg	A	7XCS0039LBK	0
						BREAK ALL SHARP CORNERS & EDGES UNLESS OTHERWISE SPECIFIED DIMENSIONS ARE IN MILLIMETERS TOLERANCES UNLESS NOTED: DECIMALS: .X ±.787mm .XX ±.381mm .XXX ±.127mm ANGULAR ±1° HOLES ±.127mm DO NOT SCALE DRAWING						
						DRAWN BY: JCP TRUE FITNESS TECHNOLOGY, INC. O'FALLON, MO. 63366						

7XCS0039RBK

ITEM NO.	PART NUMBER	Rexon Part #	DESCRIPTION	QTY.
1	7XC0060BK	10J339Q0	RIGHT SHAFT COVER SET (R)	1
2	7XC0061BK	10J63CU8	LEFT SHAFT COVER SET (R)	1
3	7CX0063	26682NAK	M5X8 SCREW, CR RE PAN HEAD	3



NOTE: ALL WEIGHTS AND DIMENSIONS ARE FOR REFERENCE ONLY

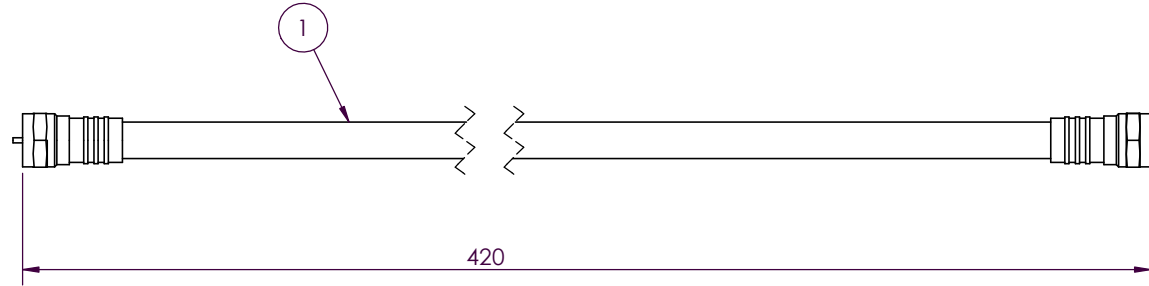
CONFIDENTIAL INFORMATION
 OF TRUE FITNESS TECHNOLOGY, INC., O'FALLON, MO. IT IS LOANED FOR CONFIDENTIAL USE. SUBJECT TO RETURN ON REQUEST, AND WITH THE MUTUAL UNDERSTANDING THAT IT WILL NOT BE USED IN ANY MANNER DETRIMENTAL TO THE INTERESTS OF TRUE FITNESS TECHNOLOGY, INC.

REV.	MCF#	DESCRIPTION	DATE	BY	APPRVL	TITLE	MATERIAL:	DATE	WEIGHT (KG)	DWG. SIZE	TRUE PART #:	REV.
A	-	ORIGINAL RELEASE	-	-	-	SHAFT COVER SET (R) - XCS400	Material <not specified>		0.13Kg	A	7XCS0039RBK	0
						BREAK ALL SHARP CORNERS & EDGES UNLESS OTHERWISE SPECIFIED DIMENSIONS ARE IN MILLIMETERS TOLERANCES UNLESS NOTED: DECIMALS: .X ±.787mm .XX ±.381mm .XXX ±.127mm ANGULAR ±1° HOLES ±.127mm DO NOT SCALE DRAWING		NOTES: DRAWN BY: JCP DATE:				



7XCS0043

ITEM NO.	PART NUMBER	REXON PART #	DESCRIPTION	QTY.
1	7XCS0043	10J63C4G	VIDEO CABLE COAXIAL	1



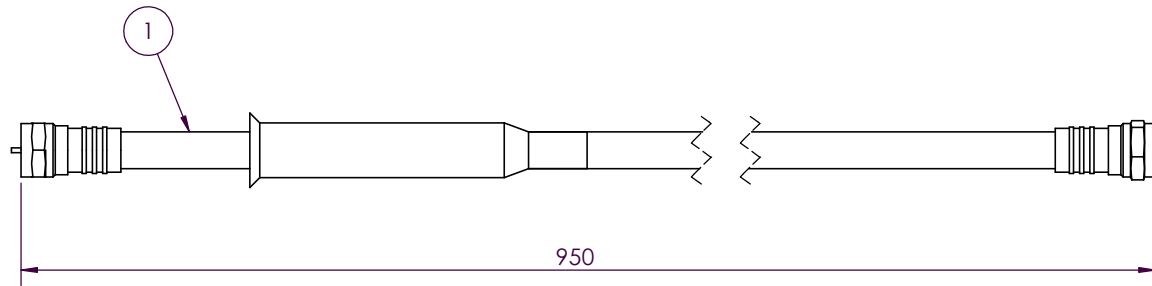
NOTE: ALL WEIGHTS AND DIMENSIONS ARE FOR REFERENCE ONLY

CONFIDENTIAL INFORMATION
 OF TRUE FITNESS TECHNOLOGY, INC., O'FALLON, MO. IT IS LOANED FOR CONFIDENTIAL USE. SUBJECT TO RETURN ON REQUEST, AND WITH THE MUTUAL UNDERSTANDING THAT IT WILL NOT BE USED IN ANY MANNER DETRIMENTAL TO THE INTERESTS OF TRUE FITNESS TECHNOLOGY, INC.

REV.	MCF#	DESCRIPTION	DATE	BY	APPRVL	TITLE	MATERIAL:	DATE	WEIGHT (KG)	DWG. SIZE	TRUE PART #:	REV.
						VIDEO CABLE (COAXIAL)	Material <not specified>		0.16Kg	A	7XCS0043	
A	-	ORIGINAL RELEASE	-	-	-	BREAK ALL SHARP CORNERS & EDGES	NOTES:					
						UNLESS OTHERWISE SPECIFIED DIMENSIONS ARE IN MILLIMETERS						
						TOLERANCES UNLESS NOTED: DECIMALS: .X ±.787mm .XX ±.381mm .XXX ±.127mm ANGULAR ±1° HOLES ±.127mm DO NOT SCALE DRAWING						
						FITNESS TECHNOLOGY, INC. O'FALLON, MO. 63366						

7XCS0044

ITEM NO.	PART NUMBER	REXON PART #	DESCRIPTION	QTY.
1	XCS0044	10J63DPD	VIDEO CABLE (COAXIAL)	1



NOTE: ALL WEIGHTS AND DIMENSIONS ARE FOR REFERENCE ONLY

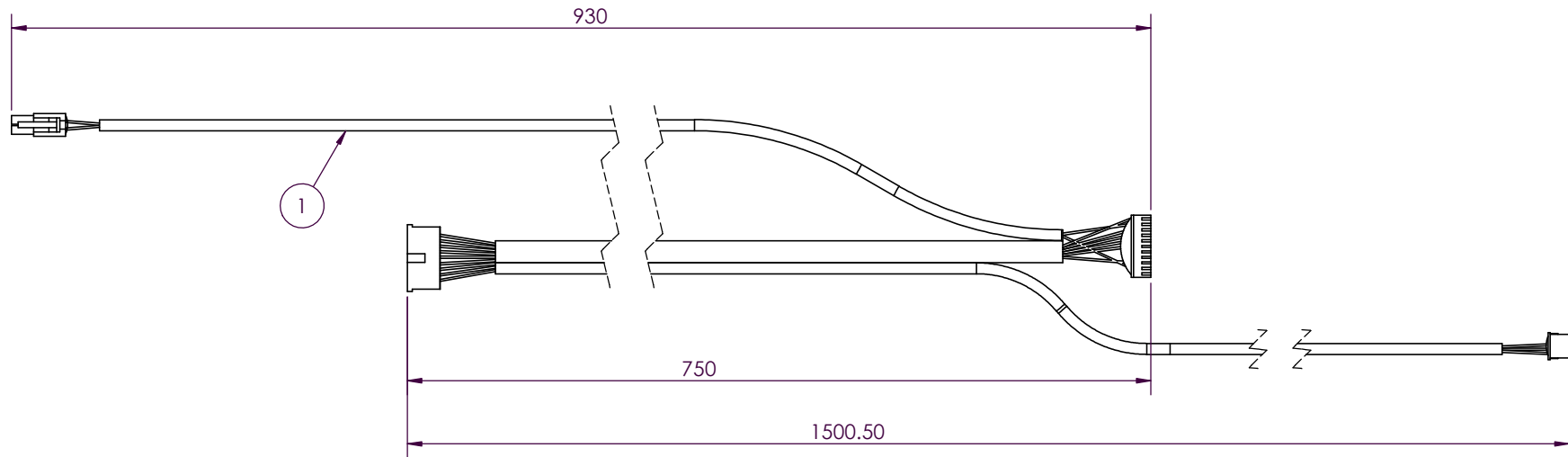
CONFIDENTIAL INFORMATION
 OF TRUE FITNESS TECHNOLOGY, INC., O'FALLON, MO. IT IS LOANED FOR CONFIDENTIAL USE. SUBJECT TO RETURN ON REQUEST, AND WITH THE MUTUAL UNDERSTANDING THAT IT WILL NOT BE USED IN ANY MANNER DETRIMENTAL TO THE INTERESTS OF TRUE FITNESS TECHNOLOGY, INC.

REV.	MCF#	DESCRIPTION	DATE	BY	APPRVL	TITLE	MATERIAL:	DATE	WEIGHT (KG)	DWG. SIZE	TRUE PART #:	REV.
						VIDEO CABLE (COAXIAL)	Material <not specified>		0.37Kg	A	7XCS0044	
A	-	ORIGINAL RELEASE	-	-	-	BREAK ALL SHARP CORNERS & EDGES	NOTES:					
						UNLESS OTHERWISE SPECIFIED DIMENSIONS ARE IN MILLIMETERS						
						TOLERANCES UNLESS NOTED: DECIMALS:						
						.X ±.787mm						
						.XX ±.381mm						
						.XXX ±.127mm						
						ANGULAR ±1°						
						HOLES ±.127mm						
						DO NOT SCALE DRAWING						



7XCS0045

ITEM NO.	PART NUMBER	REXON PART #	DESCRIPTION	QTY.
1	7XCS0045	10J63C4A	WIRE HARNESS MAIN	1



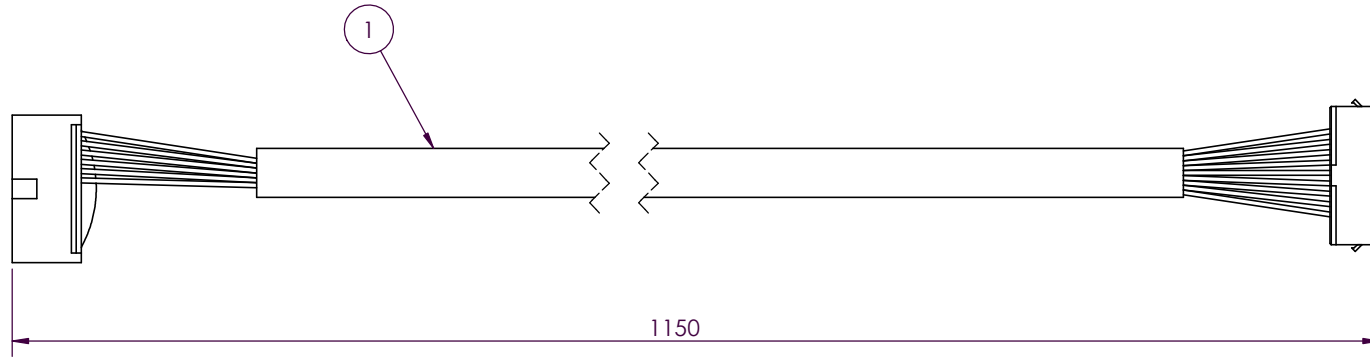
NOTE: ALL WEIGHTS AND DIMENSIONS ARE FOR REFERENCE ONLY

CONFIDENTIAL INFORMATION
 OF TRUE FITNESS TECHNOLOGY, INC., O'FALLON, MO. IT IS LOANED FOR CONFIDENTIAL USE. SUBJECT TO RETURN ON REQUEST, AND WITH THE MUTUAL UNDERSTANDING THAT IT WILL NOT BE USED IN ANY MANNER DETRIMENTAL TO THE INTERESTS OF TRUE FITNESS TECHNOLOGY, INC.

REV.	MCF#	DESCRIPTION	DATE	BY	APPRVL	TITLE	MATERIAL:	NOTES:	DRAWN BY	DATE	WEIGHT (KG)	DWG. SIZE	TRUE PART #:	REV.
						WIRE HARNESS MAIN	Material <not specified>				0.89Kg	A	7XCS0045	
A	-	ORIGINAL RELEASE	-	-	-	BREAK ALL SHARP CORNERS & EDGES								
						UNLESS OTHERWISE SPECIFIED DIMENSIONS ARE IN MILLIMETERS								
						TOLERANCES UNLESS NOTED: DECIMALS: .X ±.787mm .XX ±.381mm .XXX ±.127mm ANGULAR ±1° HOLES ±.127mm								
						DO NOT SCALE DRAWING								

7XCS0046

ITEM NO.	PART NUMBER	REXON PART #	DESCRIPTION	QTY.
1	7XCS0046	10J63C49	UPPER MAIN DATA CABLE	1



NOTE: ALL WEIGHTS AND DIMENSIONS ARE FOR REFERENCE ONLY

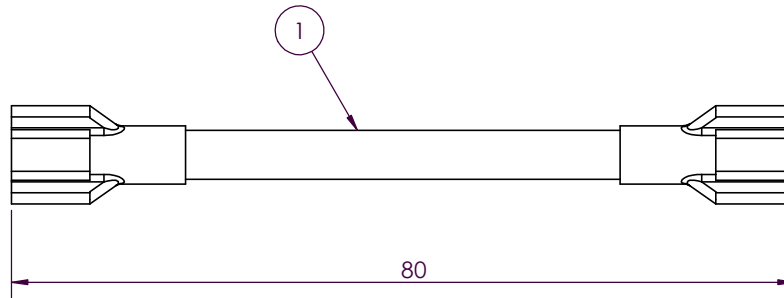
CONFIDENTIAL INFORMATION

OF TRUE FITNESS TECHNOLOGY, INC., O'FALLON, MO. IT IS LOANED FOR CONFIDENTIAL USE. SUBJECT TO RETURN ON REQUEST, AND WITH THE MUTUAL UNDERSTANDING THAT IT WILL NOT BE USED IN ANY MANNER DETRIMENTAL TO THE INTERESTS OF TRUE FITNESS TECHNOLOGY, INC.

REV.	MCF#	DESCRIPTION	DATE	BY	APPRVL	TITLE	MATERIAL:	DATE	WEIGHT (KG)	DWG. SIZE	TRUE PART #:	REV.
						UPPER MAIN DATA CABLE	Material <not specified>		0.76Kg	A	7XCS0046	
A	-	ORIGINAL RELEASE	-	-	-	BREAK ALL SHARP CORNERS & EDGES	NOTES:					
						UNLESS OTHERWISE SPECIFIED DIMENSIONS ARE IN MILLIMETERS						
						TOLERANCES UNLESS NOTED: DECIMALS: .X ±.787mm .XX ±.381mm .XXX ±.127mm ANGULAR ±1° HOLES ±.127mm						
						DO NOT SCALE DRAWING						

7XCS0048

ITEM NO.	PART NUMBER	REXON PART #	DESCRIPTION	QTY.
1	7XCS0048	10F62URT	POWER INLET CABLE, WHITE	1



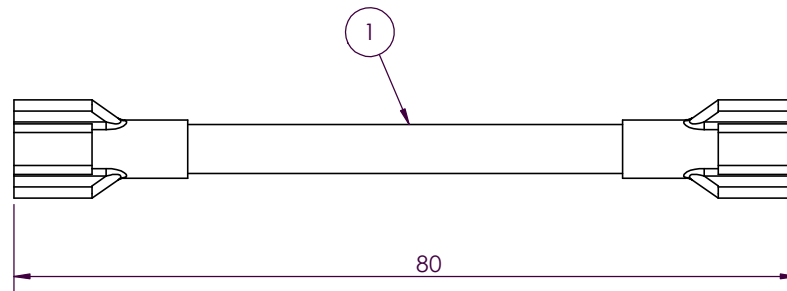
NOTE: ALL WEIGHTS AND DIMENSIONS ARE FOR REFERENCE ONLY

CONFIDENTIAL INFORMATION
 OF TRUE FITNESS TECHNOLOGY, INC., O'FALLON, MO. IT IS LOANED FOR CONFIDENTIAL USE. SUBJECT TO RETURN ON REQUEST, AND WITH THE MUTUAL UNDERSTANDING THAT IT WILL NOT BE USED IN ANY MANNER DETRIMENTAL TO THE INTERESTS OF TRUE FITNESS TECHNOLOGY, INC.

REV.	MCF#	DESCRIPTION	DATE	BY	APPRVL	TITLE	MATERIAL:	DATE	WEIGHT (KG)	DWG. SIZE	TRUE PART #:	REV.
						POWER INLET CABLE, WHITE	Material <not specified>		0.01Kg	A	7XCS0048	
A	-	ORIGINAL RELEASE	-	-	-	BREAK ALL SHARP CORNERS & EDGES	NOTES:					
						UNLESS OTHERWISE SPECIFIED DIMENSIONS ARE IN MILLIMETERS						
						TOLERANCES UNLESS NOTED: DECIMALS: .X ±.787mm .XX ±.381mm .XXX ±.127mm ANGULAR ±1° HOLES ±.127mm DO NOT SCALE DRAWING						

7XCS0049

ITEM NO.	PART NUMBER	REXON PART #	DESCRIPTION	QTY.
1	7XCS0049	10F62URU	POWER INLET CABLE, BLACK	1



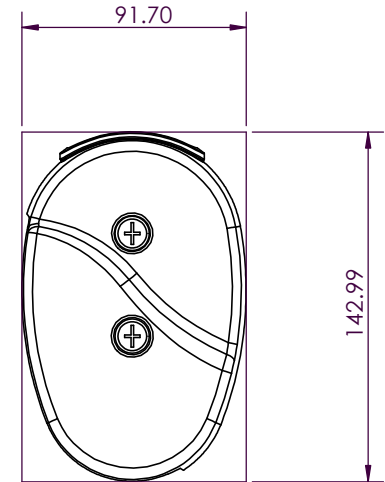
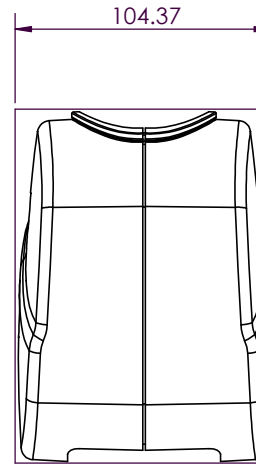
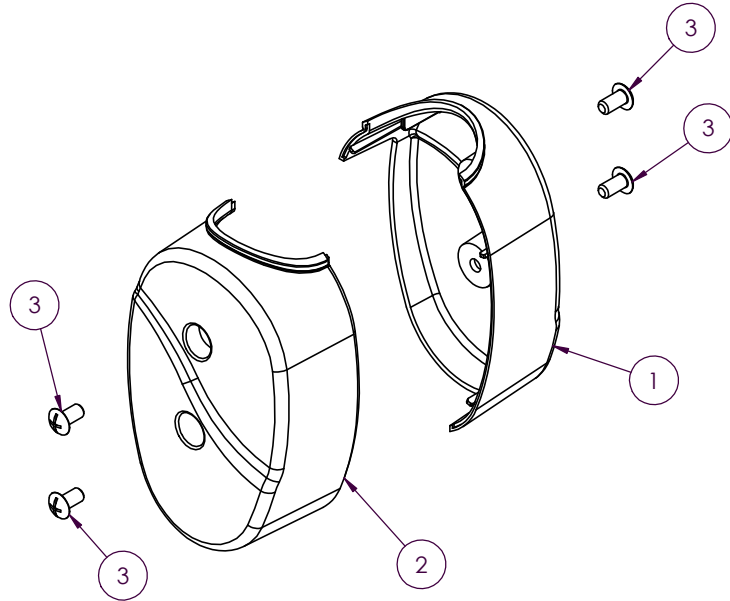
NOTE: ALL WEIGHTS AND DIMENSIONS ARE FOR REFERENCE ONLY

CONFIDENTIAL INFORMATION
 OF TRUE FITNESS TECHNOLOGY, INC., O'FALLON, MO. IT IS LOANED FOR CONFIDENTIAL USE. SUBJECT TO RETURN ON REQUEST, AND WITH THE MUTUAL UNDERSTANDING THAT IT WILL NOT BE USED IN ANY MANNER DETRIMENTAL TO THE INTERESTS OF TRUE FITNESS TECHNOLOGY, INC.

REV.	MCF#	DESCRIPTION	DATE	BY	APPRVL	TITLE	MATERIAL:	NOTES:	DRAWN BY	DATE	WEIGHT (KG)	DWG. SIZE	TRUE PART #:	REV.
						POWER INLET CABLE, BLACK	Material <not specified>				0.01Kg	A	7XCS0049	
A	-	ORIGINAL RELEASE	-	-	-	BREAK ALL SHARP CORNERS & EDGES								
						UNLESS OTHERWISE SPECIFIED DIMENSIONS ARE IN MILLIMETERS								
						TOLERANCES UNLESS NOTED: DECIMALS: .X ±.787mm .XX ±.381mm .XXX ±.127mm ANGULAR ±1° HOLES ±.127mm								
						DO NOT SCALE DRAWING								

7XCS0099BK

ITEM NO.	PART NUMBER	Rexon Part #	DESCRIPTION	QTY.
1	7XC0058BK	10J63C0N	LEFT ROCKER ARM COVER SHROUD	1
2	7XC0059BK	10J63C0P	RIGHT ROCKER ARM COVER SHROUD	1
3	7SX0004	2634BFDA24	SCREW, CR.-RE. TRUSS HD. 2634BFDA24	4



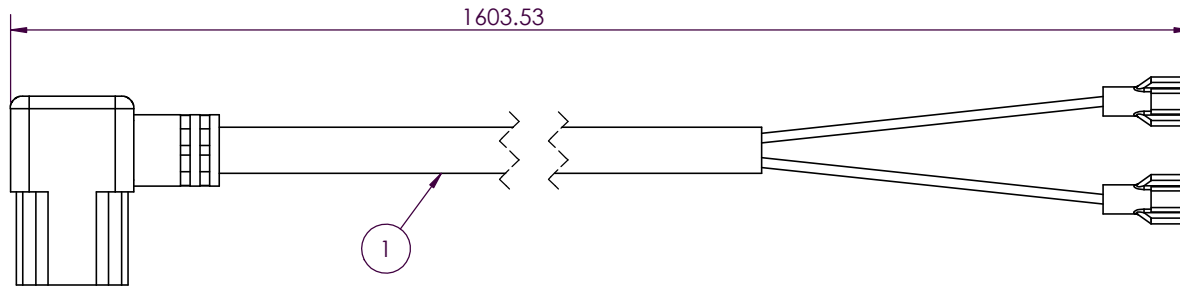
NOTE: ALL WEIGHTS AND DIMENSIONS ARE FOR REFERENCE ONLY

CONFIDENTIAL INFORMATION
 OF TRUE FITNESS TECHNOLOGY, INC., O'FALLON, MO. IT IS LOANED FOR CONFIDENTIAL USE. SUBJECT TO RETURN ON REQUEST, AND WITH THE MUTUAL UNDERSTANDING THAT IT WILL NOT BE USED IN ANY MANNER DETRIMENTAL TO THE INTERESTS OF TRUE FITNESS TECHNOLOGY, INC.

REV.	MCF#	DESCRIPTION	DATE	BY	APPRVL	TITLE	MATERIAL:	NOTES:	DRAWN BY	DATE	WEIGHT (KG)	DWG. SIZE	TRUE PART #:	REV.
A	-	ORIGINAL RELEASE	-	-	-	ROCKER ARM COVER SET	Material <not specified>		JCP		0.13Kg	A	7XCS0099BK	0
						BREAK ALL SHARP CORNERS & EDGES UNLESS OTHERWISE SPECIFIED DIMENSIONS ARE IN MILLIMETERS TOLERANCES UNLESS NOTED: DECIMALS: .X ±.787mm .XX ±.381mm .XXX ±.127mm ANGULAR ±1° HOLES ±.127mm DO NOT SCALE DRAWING						FITNESS TECHNOLOGY, INC. O'FALLON, MO. 63366		

7XCS0101

ITEM NO.	TRUE PART #	Rexon Part #	DESCRIPTION	QTY.
1	7XCS0101		POWER CABLE	1



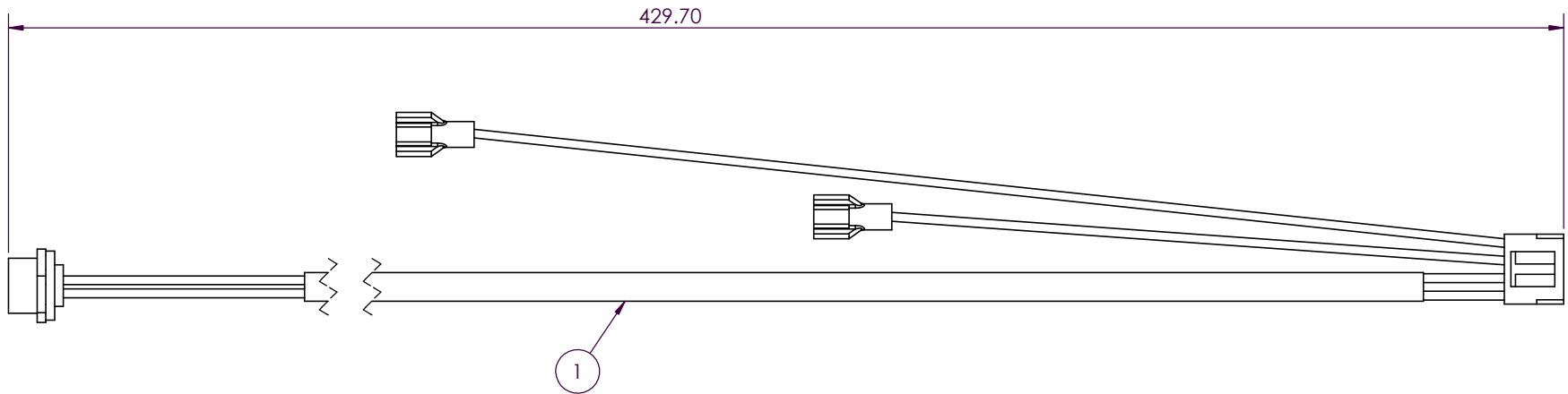
NOTE: ALL WEIGHTS AND DIMENSIONS ARE FOR REFERENCE ONLY

CONFIDENTIAL INFORMATION
 OF TRUE FITNESS TECHNOLOGY, INC., O'FALLON, MO. IT IS LOANED FOR CONFIDENTIAL USE. SUBJECT TO RETURN ON REQUEST, AND WITH THE MUTUAL UNDERSTANDING THAT IT WILL NOT BE USED IN ANY MANNER DETRIMENTAL TO THE INTERESTS OF TRUE FITNESS TECHNOLOGY, INC.

REV.	MCF#	DESCRIPTION	DATE	BY	APPRVL	TITLE	MATERIAL:	DATE	WEIGHT (KG)	DWG. SIZE	TRUE PART #:	REV.
						POWER CABLE	Material <not specified>		1.05Kg	A	7XCS0101	-
A	-	ORIGINAL RELEASE	-	-	-	BREAK ALL SHARP CORNERS & EDGES						
						UNLESS OTHERWISE SPECIFIED DIMENSIONS ARE IN MILLIMETERS	NOTES:					
						TOLERANCES UNLESS NOTED: DECIMALS: .X ±.787mm .XX ±.381mm .XXX ±.127mm ANGULAR ±1° HOLES ±.127mm DO NOT SCALE DRAWING	DRAWN BY JCP					
							FITNESS TECHNOLOGY, INC. O'FALLON, MO. 63366					

7XCS0102

ITEM NO.	TRUE PART #	Rexon Part #	DESCRIPTION	QTY.
1	7XCS0102	10J63C56	CHARGING PORT WIRE	1



NOTE: ALL WEIGHTS AND DIMENSIONS ARE FOR REFERENCE ONLY

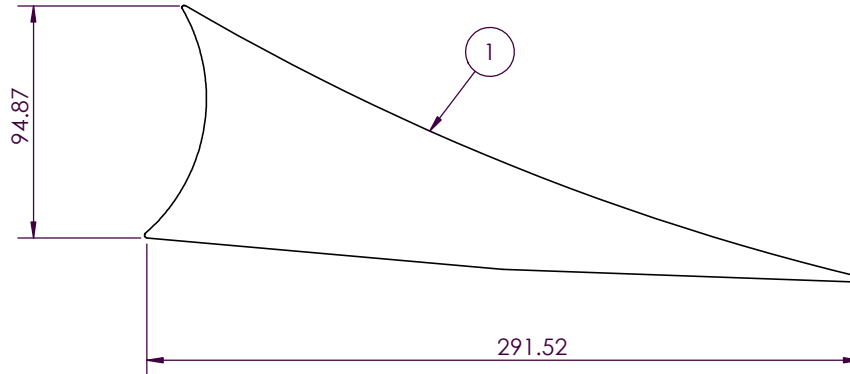
CONFIDENTIAL INFORMATION

OF TRUE FITNESS TECHNOLOGY, INC., O'FALLON, MO. IT IS LOANED FOR CONFIDENTIAL USE. SUBJECT TO RETURN ON REQUEST, AND WITH THE MUTUAL UNDERSTANDING THAT IT WILL NOT BE USED IN ANY MANNER DETRIMENTAL TO THE INTERESTS OF TRUE FITNESS TECHNOLOGY, INC.

REV.	MCF#	DESCRIPTION	DATE	BY	APPRVL	TITLE	MATERIAL:	DATE	WEIGHT (KG)	DWG. SIZE	TRUE PART #:	REV.
A	-	ORIGINAL RELEASE	-	-	-	CHARGING PORT WIRE	Material <not specified>		0.12 Kg	A	7XCS0102	-
						BREAK ALL SHARP CORNERS & EDGES UNLESS OTHERWISE SPECIFIED DIMENSIONS ARE IN MILLIMETERS TOLERANCES UNLESS NOTED: DECIMALS: .X ±.787mm .XX ±.381mm .XXX ±.127mm ANGULAR ±1° HOLES ±.127mm DO NOT SCALE DRAWING	NOTES: DRAWN BY: JCP FITNESSTECHNOLOGY, INC. O'FALLON, MO. 63366					

7XCS0103BK

ITEM NO.	TRUE PART #	Rexon Part #	DESCRIPTION	QTY.
1	7XCS0103BK	10J33AGF	SILVER DECAL	1



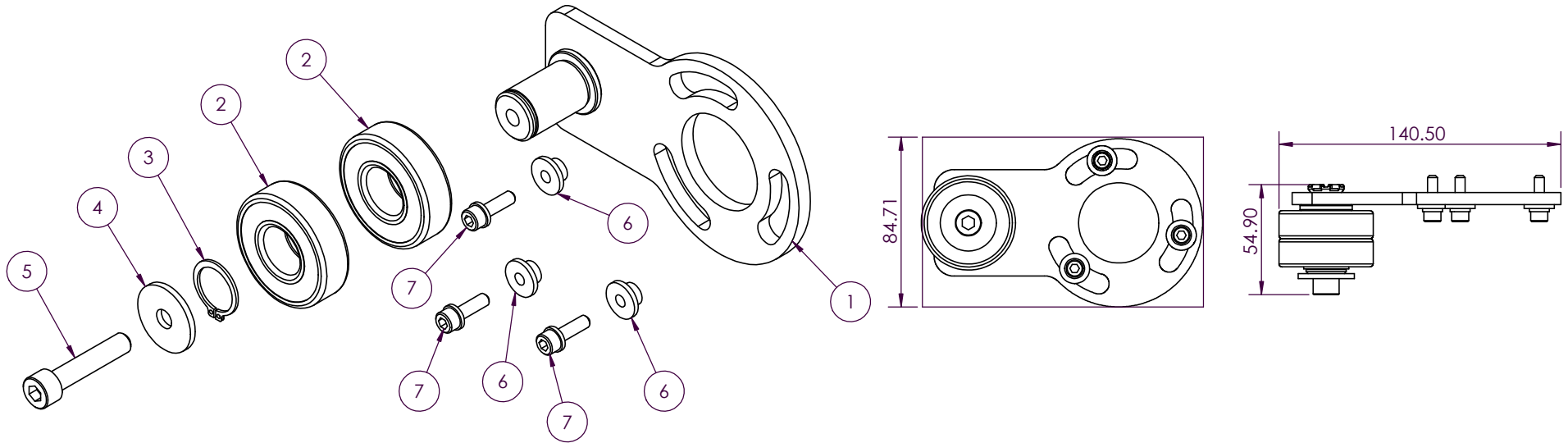
NOTE: ALL WEIGHTS AND DIMENSIONS ARE FOR REFERENCE ONLY

CONFIDENTIAL INFORMATION
 OF TRUE FITNESS TECHNOLOGY, INC., O'FALLON, MO. IT IS LOANED FOR CONFIDENTIAL USE. SUBJECT TO RETURN ON REQUEST, AND WITH THE MUTUAL UNDERSTANDING THAT IT WILL NOT BE USED IN ANY MANNER DETRIMENTAL TO THE INTERESTS OF TRUE FITNESS TECHNOLOGY, INC.

REV.	MCF#	DESCRIPTION	DATE	BY	APPRVL	TITLE	MATERIAL:	DATE	WEIGHT (KG)	DWG. SIZE	TRUE PART #:	REV.
						SILVER DECAL	ABS PC					
						BREAK ALL SHARP CORNERS & EDGES						
						UNLESS OTHERWISE SPECIFIED DIMENSIONS ARE IN MILLIMETERS						
						TOLERANCES UNLESS NOTED: DECIMALS: .X ±.787mm .XX ±.381mm .XXX ±.127mm ANGULAR ±1° HOLES ±.127mm DO NOT SCALE DRAWING						
A	-	ORIGINAL RELEASE	-	-	-							
							JCP	7/5/2018	0.00kg	A	7XCS0103BK	-

7XCS0105

ITEM NO.	PART NUMBER	Rexon Part #	DESCRIPTION	QTY.
1	7XC0088	10J63BZV	IDLER WELDMENT	1
2	7PX0011	2001ZZ6204	Bearing	2
3	7SX0097	2570BBN120	Snap Ring	1
4	250136GL	250136GL	M8 - 28MM FLAT WASHER	1
5	26022NA6	26022NA6	M8X40 SOCKET HEAD SCREW	1
6	7CX0048	110821X8	Spacer	3
7	26173AZ8	26173AZ8	M5X16 SEMS HEX HEAD BOLT	3



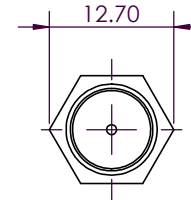
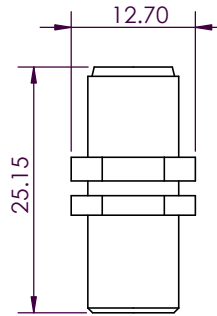
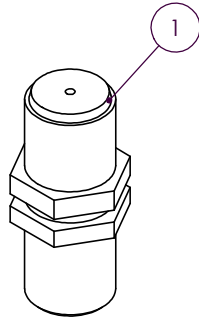
NOTE: ALL WEIGHTS AND DIMENSIONS ARE FOR REFERENCE ONLY

CONFIDENTIAL INFORMATION
 OF TRUE FITNESS TECHNOLOGY, INC., O'FALLON, MO. IT IS LOANED FOR CONFIDENTIAL USE. SUBJECT TO RETURN ON REQUEST, AND WITH THE MUTUAL UNDERSTANDING THAT IT WILL NOT BE USED IN ANY MANNER DETRIMENTAL TO THE INTERESTS OF TRUE FITNESS TECHNOLOGY, INC.

REV.	MCF#	DESCRIPTION	DATE	BY	APPRVL	TITLE	MATERIAL:	WEIGHT (KG)	REV.
A	-	ORIGINAL RELEASE	-	-	-	IDLER BRACKET ASSY	Material <not specified>	0.72Kg	0
						BREAK ALL SHARP CORNERS & EDGES UNLESS OTHERWISE SPECIFIED DIMENSIONS ARE IN MILLIMETERS TOLERANCES UNLESS NOTED: DECIMALS: .X ±.787mm .XX ±.381mm .XXX ±.127mm ANGULAR ±1° HOLES ±.127mm DO NOT SCALE DRAWING	NOTES: DRAWN BY: JCP DATE: TRUE PART #: 7XCS0105 DWG. SIZE: A FITNESS TECHNOLOGY, INC. O'FALLON, MO. 63366		

7XCS0115

ITEM NO.	TRUE PART #	Rexon Part #	DESCRIPTION	QTY.
1	7XCS0115	10F12V86	COAXIAL CONNECTOR	1



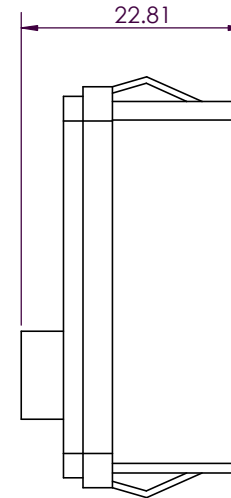
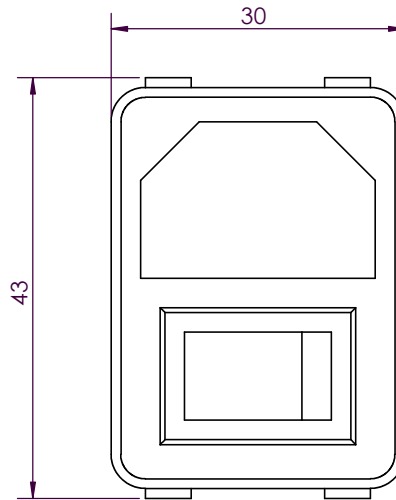
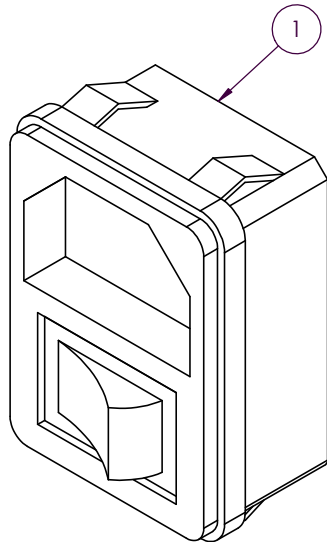
NOTE: ALL WEIGHTS AND DIMENSIONS ARE FOR REFERENCE ONLY

CONFIDENTIAL INFORMATION
 OF TRUE FITNESS TECHNOLOGY, INC., O'FALLON, MO. IT IS LOANED FOR CONFIDENTIAL USE. SUBJECT TO RETURN ON REQUEST, AND WITH THE MUTUAL UNDERSTANDING THAT IT WILL NOT BE USED IN ANY MANNER DETRIMENTAL TO THE INTERESTS OF TRUE FITNESS TECHNOLOGY, INC.

REV.	MCF#	DESCRIPTION	DATE	BY	APPRVL	TITLE	MATERIAL:	DATE	WEIGHT (KG)	DWG. SIZE	TRUE PART #:	REV.
						COAXIAL CONNECTOR	Plain Carbon Steel					
						BREAK ALL SHARP CORNERS & EDGES						
						UNLESS OTHERWISE SPECIFIED DIMENSIONS ARE IN MILLIMETERS						
						TOLERANCES UNLESS NOTED: DECIMALS: .X ±.787mm .XX ±.381mm .XXX ±.127mm ANGULAR ±1° HOLES ±.127mm DO NOT SCALE DRAWING	NOTES:					
A	-	ORIGINAL RELEASE	-	-	-		DRAWN BY	7/5/2018	0.01Kg	JCP		
							TRUE FITNESS TECHNOLOGY, INC. O'FALLON, MO. 63366			A	7XCS0115	-

7XCS0116

ITEM NO.	TRUE PART #	Rexon Part #	DESCRIPTION	QTY.
1	7XCS0116	10J33BCZ	POWER SWITCH AND CONNECTOR	1



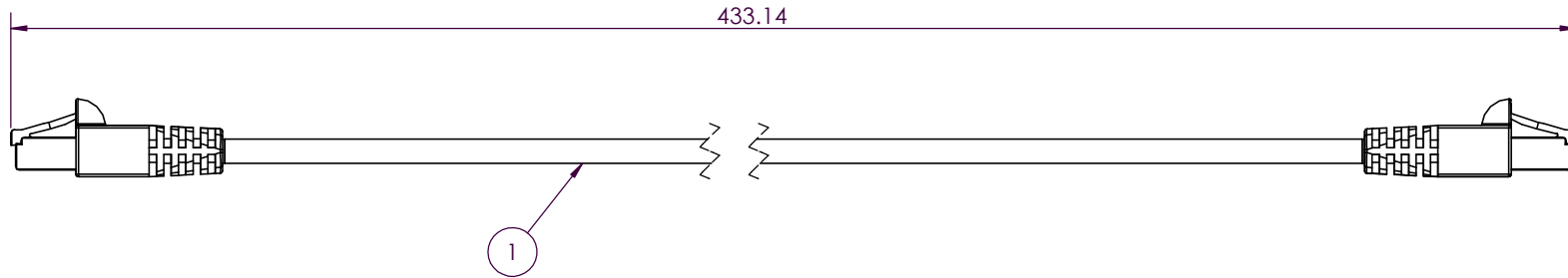
NOTE: ALL WEIGHTS AND DIMENSIONS ARE FOR REFERENCE ONLY

CONFIDENTIAL INFORMATION
 OF TRUE FITNESS TECHNOLOGY, INC., O'FALLON, MO. IT IS LOANED FOR CONFIDENTIAL USE. SUBJECT TO RETURN ON REQUEST, AND WITH THE MUTUAL UNDERSTANDING THAT IT WILL NOT BE USED IN ANY MANNER DETRIMENTAL TO THE INTERESTS OF TRUE FITNESS TECHNOLOGY, INC.

REV.	MCF#	DESCRIPTION	DATE	BY	APPRVL	TITLE	MATERIAL:	NOTES:	DRAWN BY	DATE	WEIGHT (KG)	DWG. SIZE	TRUE PART #:	REV.
						POWER SWITCH AND CONNECTOR	ABS PC		JCP	7/5/2018	0.02Kg	A	7XCS0116	-
A	-	ORIGINAL RELEASE	-	-	-	BREAK ALL SHARP CORNERS & EDGES								
						UNLESS OTHERWISE SPECIFIED DIMENSIONS ARE IN MILLIMETERS								
						TOLERANCES UNLESS NOTED: DECIMALS: .X ±.787mm .XX ±.381mm .XXX ±.127mm ANGULAR ±1° HOLES ±.127mm								
						DO NOT SCALE DRAWING								

7XCS0131

ITEM NO.	TRUE PART #	Rexon Part #	DESCRIPTION	QTY.
1	7XCS0131		LOWER ETHERNET CABLE	1



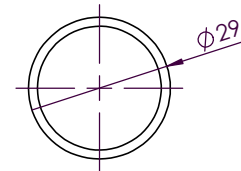
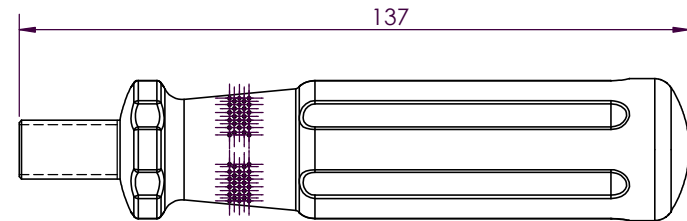
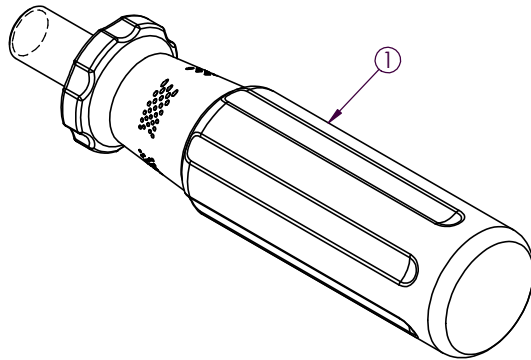
NOTE: ALL WEIGHTS AND DIMENSIONS ARE FOR REFERENCE ONLY

CONFIDENTIAL INFORMATION
 OF TRUE FITNESS TECHNOLOGY, INC., O'FALLON, MO. IT IS LOANED FOR
 CONFIDENTIAL USE. SUBJECT TO RETURN ON REQUEST, AND WITH THE
 MUTUAL UNDERSTANDING THAT IT WILL NOT BE USED IN ANY MANNER
 DETRIMENTAL TO THE INTERESTS OF TRUE FITNESS TECHNOLOGY, INC.

REV.	MCF#	DESCRIPTION	DATE	BY	APPRVL	TITLE	MATERIAL:	DATE	WEIGHT (KG)	DWG. SIZE	TRUE PART #:	REV.
						LOWER ETHERNET CABLE	Material <not specified>		0.07Kg	A	7XCS0131	-
A	-	ORIGINAL RELEASE	-	-	-	BREAK ALL SHARP CORNERS & EDGES	NOTES:					
						UNLESS OTHERWISE SPECIFIED DIMENSIONS ARE IN MILLIMETERS						
						TOLERANCES UNLESS NOTED: DECIMALS: .X ±.787mm .XX ±.381mm .XXX ±.127mm ANGULAR ±1° HOLES ±.127mm						
						DO NOT SCALE DRAWING						
							DRAWN BY: JCP					

7XES0033BK

ITEM NO.	TRUE PART #	Rexon Part #	DESCRIPTION	QTY.
1	7XES0033BK	10C72JC9	REMOVABLE HANDLE	1



NOTE: ALL WEIGHTS AND DIMENSIONS ARE FOR REFERENCE ONLY

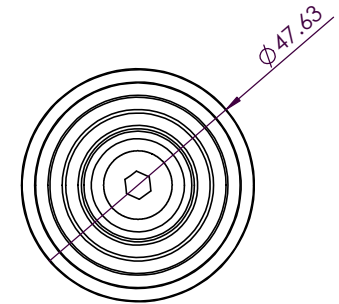
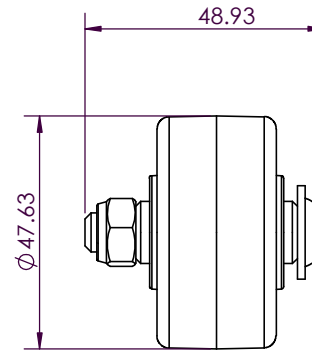
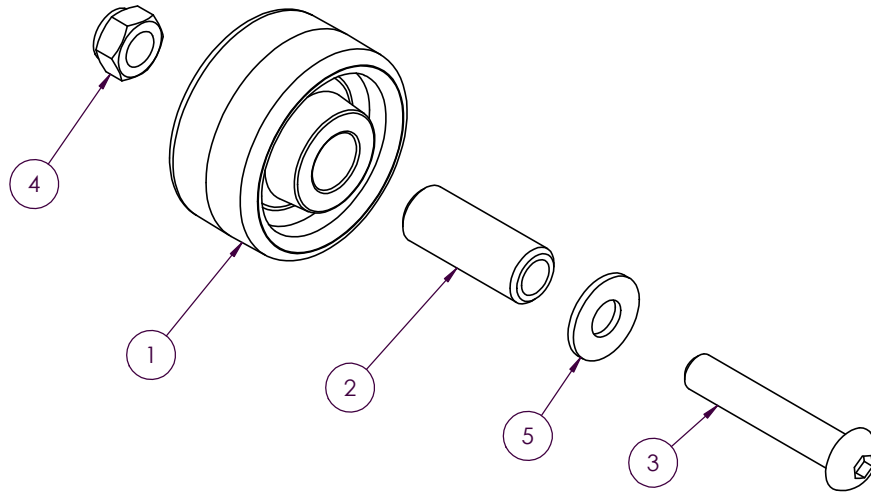
CONFIDENTIAL INFORMATION

OF TRUE FITNESS TECHNOLOGY, INC., O'FALLON, MO. IT IS LOANED FOR CONFIDENTIAL USE. SUBJECT TO RETURN ON REQUEST, AND WITH THE MUTUAL UNDERSTANDING THAT IT WILL NOT BE USED IN ANY MANNER DETRIMENTAL TO THE INTERESTS OF TRUE FITNESS TECHNOLOGY, INC.

REV.	MCF#	DESCRIPTION	DATE	BY	APPRVL	TITLE	MATERIAL:	WEIGHT (KG)	REV.
A	-	ORIGINAL RELEASE	-	-	-	REMOVABLE HANDLE	Plain Carbon Steel	0.53Kg	
						BREAK ALL SHARP CORNERS & EDGES UNLESS OTHERWISE SPECIFIED DIMENSIONS ARE IN MILLIMETERS TOLERANCES UNLESS NOTED: DECIMALS: .X ±.787mm .XX ±.381mm .XXX ±.127mm ANGULAR ±1° HOLES ±.127mm DO NOT SCALE DRAWING	NOTES: DRAWN BY: _____ DATE: _____		
						FITNESS TECHNOLOGY, INC. O'FALLON, MO. 63366	DWG. SIZE: A	TRUE PART #: 7XES0033BK	

7XPS0007

ITEM NO.	PART NUMBER	Rexon Part #	DESCRIPTION	QTY.
1	7XC0075	11232AX2	WHEEL - FLOOR ROLLER	1
2	7XC0076	10E32MR4	WHEEL SHAFT	1
3	26082MZB	26082MZB	M8X45 PHILLIPS ROUNDED HEADED BOLT	1
4	2705FZD108	2705FZD108	M8 LOCK NUT	1
5	2501NZDN65	2501NZDN65	M8 - 19MM FLAT WASHER	1



NOTE: ALL WEIGHTS AND DIMENSIONS ARE FOR REFERENCE ONLY

CONFIDENTIAL INFORMATION

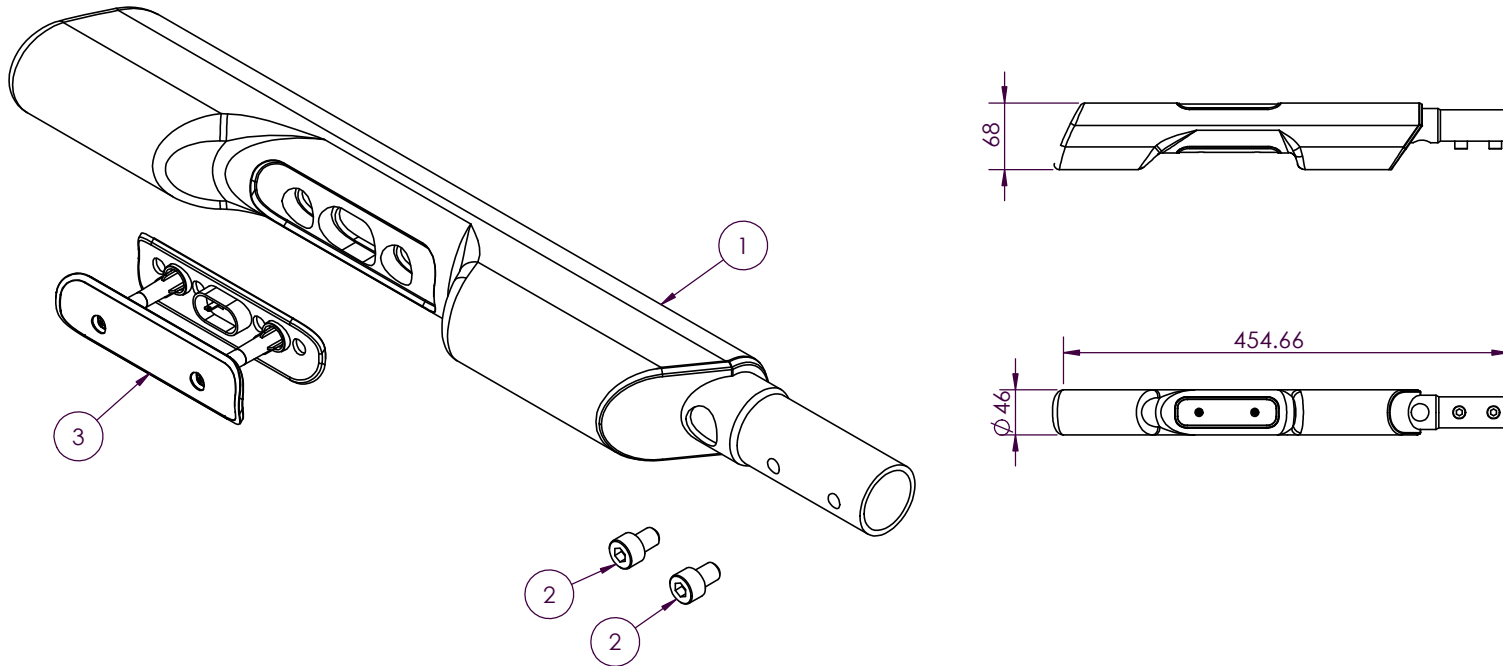
OF TRUE FITNESS TECHNOLOGY, INC., O'FALLON, MO. IT IS LOANED FOR CONFIDENTIAL USE. SUBJECT TO RETURN ON REQUEST, AND WITH THE MUTUAL UNDERSTANDING THAT IT WILL NOT BE USED IN ANY MANNER DETRIMENTAL TO THE INTERESTS OF TRUE FITNESS TECHNOLOGY, INC.

REV.	MCF#	DESCRIPTION	DATE	BY	APPRVL
A	-	ORIGINAL RELEASE	-	-	-

TITLE		TRANSPORT WHEEL ASSEMBLY		
MATERIAL:		Material <not specified>		
NOTES:		BREAK ALL SHARP CORNERS & EDGES UNLESS OTHERWISE SPECIFIED DIMENSIONS ARE IN MILLIMETERS TOLERANCES UNLESS NOTED: DECIMALS: .X ±.787mm .XX ±.381mm .XXX ±.127mm ANGULAR ±1° HOLES ±.127mm DO NOT SCALE DRAWING		
DRAWN BY	DATE	WEIGHT (KG)		
JCP		0.08Kg		
		DWG. SIZE	TRUE PART #:	REV.
O'FALLON, MO. 63366		A	7XPS0007	0

7XPS0011A

ITEM NO.	PART NUMBER	Rexon Part #	DESCRIPTION	QTY.
1	7XC0045	10J339PU	HANDLEBAR WELDMENT	1
2	7SX0036	2602261H	M8X12 BOLT, HES SOC. HD. CAP 2602266	2
3	7XPS0012	10J33B6P	HAND PULSE ASSEMBLY	1



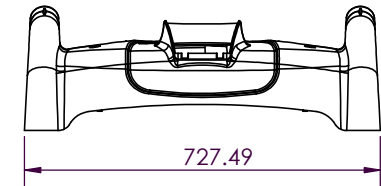
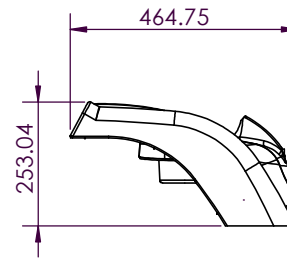
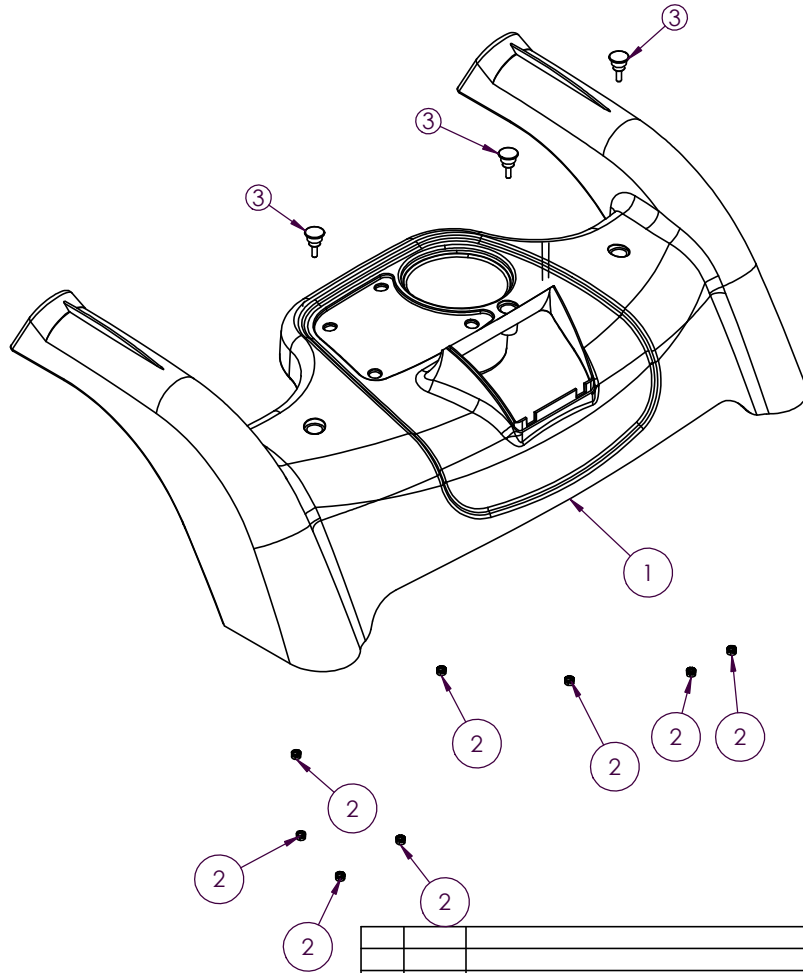
NOTE: ALL WEIGHTS AND DIMENSIONS ARE FOR REFERENCE ONLY

CONFIDENTIAL INFORMATION
OF TRUE FITNESS TECHNOLOGY, INC., O'FALLON, MO. IT IS LOANED FOR CONFIDENTIAL USE. SUBJECT TO RETURN ON REQUEST, AND WITH THE MUTUAL UNDERSTANDING THAT IT WILL NOT BE USED IN ANY MANNER DETRIMENTAL TO THE INTERESTS OF TRUE FITNESS TECHNOLOGY, INC.

REV.	MCF#	DESCRIPTION	DATE	BY	APPRVL	TITLE	MATERIAL:	DATE	WEIGHT (KG)	DWG. SIZE	TRUE PART #:	REV.
A	-	ORIGINAL RELEASE	-	-	-	HANDLEBAR	Material <not specified>		1.67Kg	A	7XPS0011A	0
						BREAK ALL SHARP CORNERS & EDGES UNLESS OTHERWISE SPECIFIED DIMENSIONS ARE IN MILLIMETERS TOLERANCES UNLESS NOTED: DECIMALS: .X ±.787mm .XX ±.381mm .XXX ±.127mm ANGULAR ±1° HOLES ±.127mm DO NOT SCALE DRAWING	NOTES: DRAWN BY: JCP FITNESSTECHNOLOGY, INC. O'FALLON, MO. 63366					

7XPS0031ABK

ITEM NO.	PART NUMBER	Rexon Part #	DESCRIPTION	QTY.
1	7XC0081ABK	10J339NY	UPPER PEDESTAL PLASTIC SHROUD	1
2	7XC0034	271437W1	INSERT, REGULAR CAP TYPE, 5/16" PLASTIC BOSS	10
3	7XPS0032		PEDESTAL COVER CAP SCREWS	3



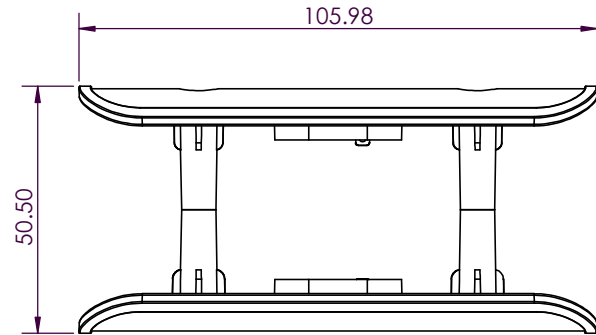
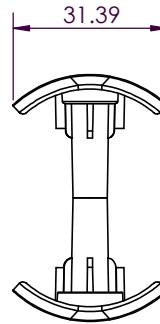
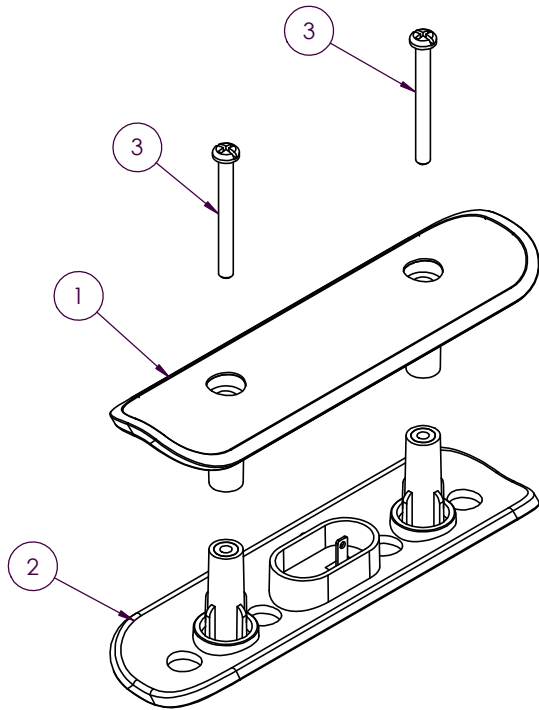
NOTE: ALL WEIGHTS AND DIMENSIONS ARE FOR REFERENCE ONLY

CONFIDENTIAL INFORMATION
 OF TRUE FITNESS TECHNOLOGY, INC., O'FALLON, MO. IT IS LOANED FOR CONFIDENTIAL USE. SUBJECT TO RETURN ON REQUEST, AND WITH THE MUTUAL UNDERSTANDING THAT IT WILL NOT BE USED IN ANY MANNER DETRIMENTAL TO THE INTERESTS OF TRUE FITNESS TECHNOLOGY, INC.

REV.	MCF#	DESCRIPTION	DATE	BY	APPRVL	TITLE	MATERIAL:	DATE	WEIGHT (KG)	DWG. SIZE	TRUE PART #:	REV.
A	-	ORIGINAL RELEASE	-	-	-	UPPER COVER ASSEMBLY	Material <not specified>		1.33Kg	A	7XPS0031ABK	0
						BREAK ALL SHARP CORNERS & EDGES						
						UNLESS OTHERWISE SPECIFIED DIMENSIONS ARE IN MILLIMETERS						
						TOLERANCES UNLESS NOTED: DECIMALS: .X ±.787mm .XX ±.381mm .XXX ±.127mm ANGULAR ±1° HOLES ±.127mm DO NOT SCALE DRAWING						
						NOTES:						
						DRAWN BY	7XPS0031					
						O'FALLON, MO. 63366						

7XPS0012


ITEM NO.	PART NUMBER	Rexon Part #	DESCRIPTION	QTY.
1	7XC0046	10J339P1	BOTTOM HAND PULSE SENSOR	1
2	7XC0047	10J339NZ	TOP HAND PULSE SENSOR	1
3	26373DJ1	26373DJ1	M3X30 PAN HEAD SCREW	2



NOTE: ALL WEIGHTS AND DIMENSIONS ARE FOR REFERENCE ONLY

CONFIDENTIAL INFORMATION
 OF TRUE FITNESS TECHNOLOGY, INC., O'FALLON, MO. IT IS LOANED FOR CONFIDENTIAL USE. SUBJECT TO RETURN ON REQUEST, AND WITH THE MUTUAL UNDERSTANDING THAT IT WILL NOT BE USED IN ANY MANNER DETRIMENTAL TO THE INTERESTS OF TRUE FITNESS TECHNOLOGY, INC.

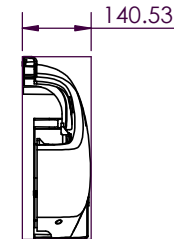
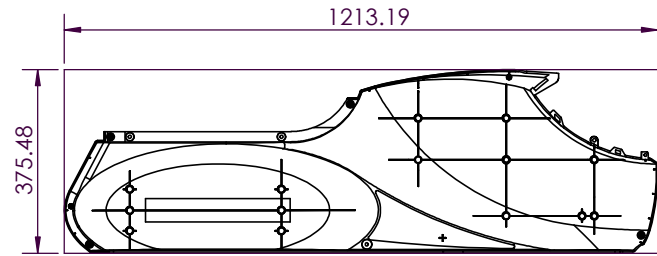
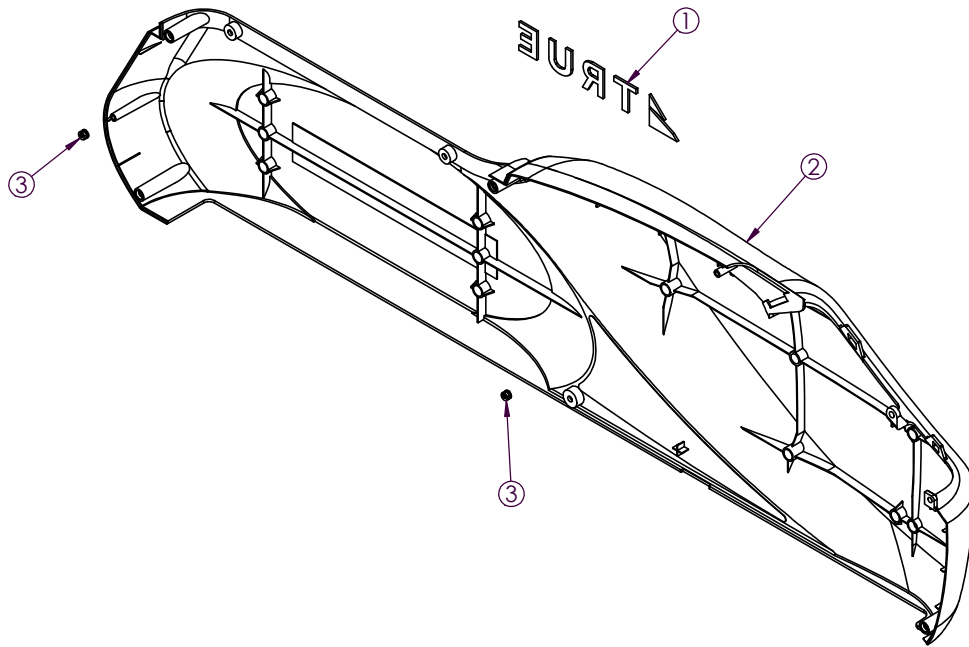
REV.	MCF#	DESCRIPTION	DATE	BY	APPRVL
A	-	ORIGINAL RELEASE	-	-	-

TITLE			
HAND PULSE ASSEMBLY			
MATERIAL:		Material <not specified>	
NOTES:			
DRAWN BY		DATE	WEIGHT (KG)
JCP			0.18Kg
 FITNESS TECHNOLOGY, INC. O'FALLON, MO. 63366		DWG. SIZE	REV.
A		TRUE PART #:	0
7XPS0012			

BREAK ALL SHARP CORNERS & EDGES
 UNLESS OTHERWISE SPECIFIED DIMENSIONS ARE IN MILLIMETERS
 TOLERANCES UNLESS NOTED:
 DECIMALS:
 .X ±.787mm
 .XX ±.381mm
 .XXX ±.127mm
 ANGULAR ±1°
 HOLES ±.127mm
 DO NOT SCALE DRAWING

7XPS0013BK

ITEM NO.	PART NUMBER	Rexon Part #	DESCRIPTION	QTY.
1	7CX0122BK	10J33A2Y	NEW TRUE DECAL	1
2	7XC0035BK	10J339QA	COVER, LEFT OUTER WITH NO DECALS	1
3	7XC0034	271437W1	INSERT, REGULAR CAP TYPE, 5/16" PLASTIC BOSS	2



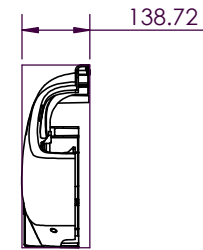
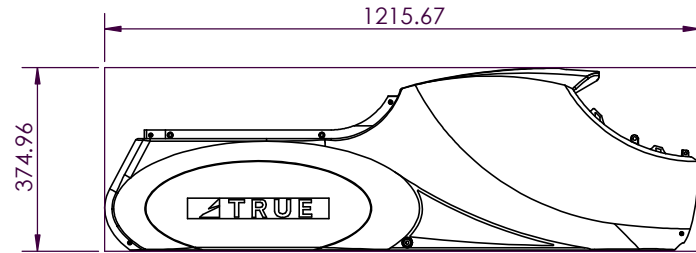
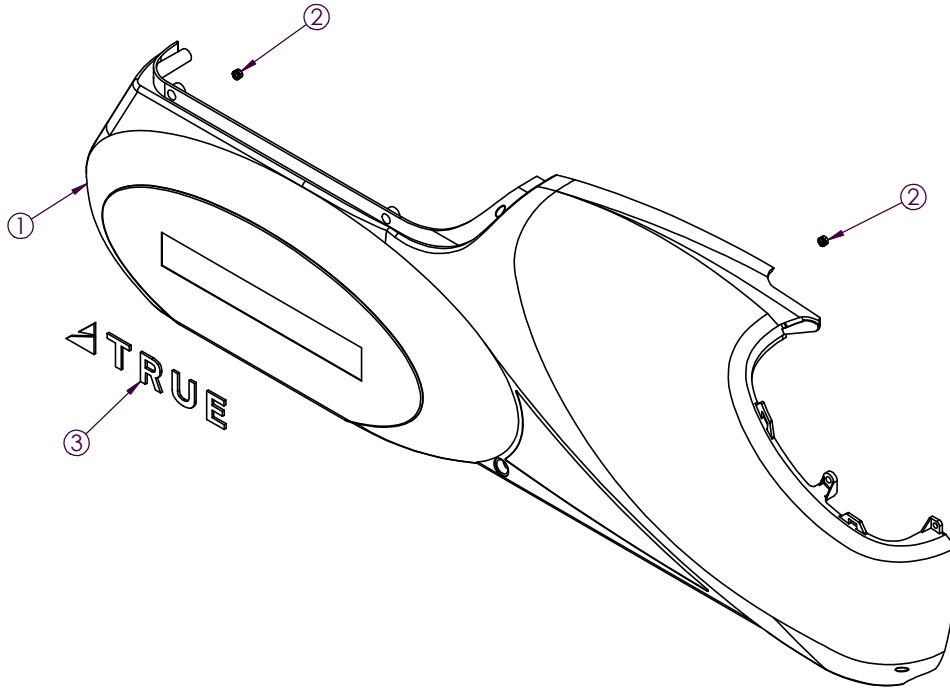
NOTE: ALL WEIGHTS AND DIMENSIONS ARE FOR REFERENCE ONLY

CONFIDENTIAL INFORMATION
 OF TRUE FITNESS TECHNOLOGY, INC., O'FALLON, MO. IT IS LOANED FOR CONFIDENTIAL USE. SUBJECT TO RETURN ON REQUEST, AND WITH THE MUTUAL UNDERSTANDING THAT IT WILL NOT BE USED IN ANY MANNER DETRIMENTAL TO THE INTERESTS OF TRUE FITNESS TECHNOLOGY, INC.

REV.	MCF#	DESCRIPTION	DATE	BY	APPRVL	TITLE	MATERIAL:	WEIGHT (KG)	DWG. SIZE	TRUE PART #:	REV.
A	-	ORIGINAL RELEASE	-	-	-	LEFT MAIN OUTER COVER	Material <not specified>	1.51Kg	A	7XPS0013BK	0
						BREAK ALL SHARP CORNERS & EDGES UNLESS OTHERWISE SPECIFIED DIMENSIONS ARE IN MILLIMETERS TOLERANCES UNLESS NOTED: DECIMALS: .X ±.787mm .XX ±.381mm .XXX ±.127mm ANGULAR ±1° HOLES ±.127mm DO NOT SCALE DRAWING	NOTES:		DRAWN BY: JCP DATE: _____ FITNESSTECHNOLOGY, INC. O'FALLON, MO. 63366		

7XPS0014BK

ITEM NO.	PART NUMBER	Rexon Part #	DESCRIPTION	QTY.
1	7XC0033BK	10J339Q4	COVER, RIGHT OUTER WITH NO DECALS	1
2	7XC0034	271437W1	INSERT, REGULAR CAP TYPE, 5/16" PLASTIC BOSS	2
3	7CX0122BK	10J33A2Y	NEW TRUE DECAL	1



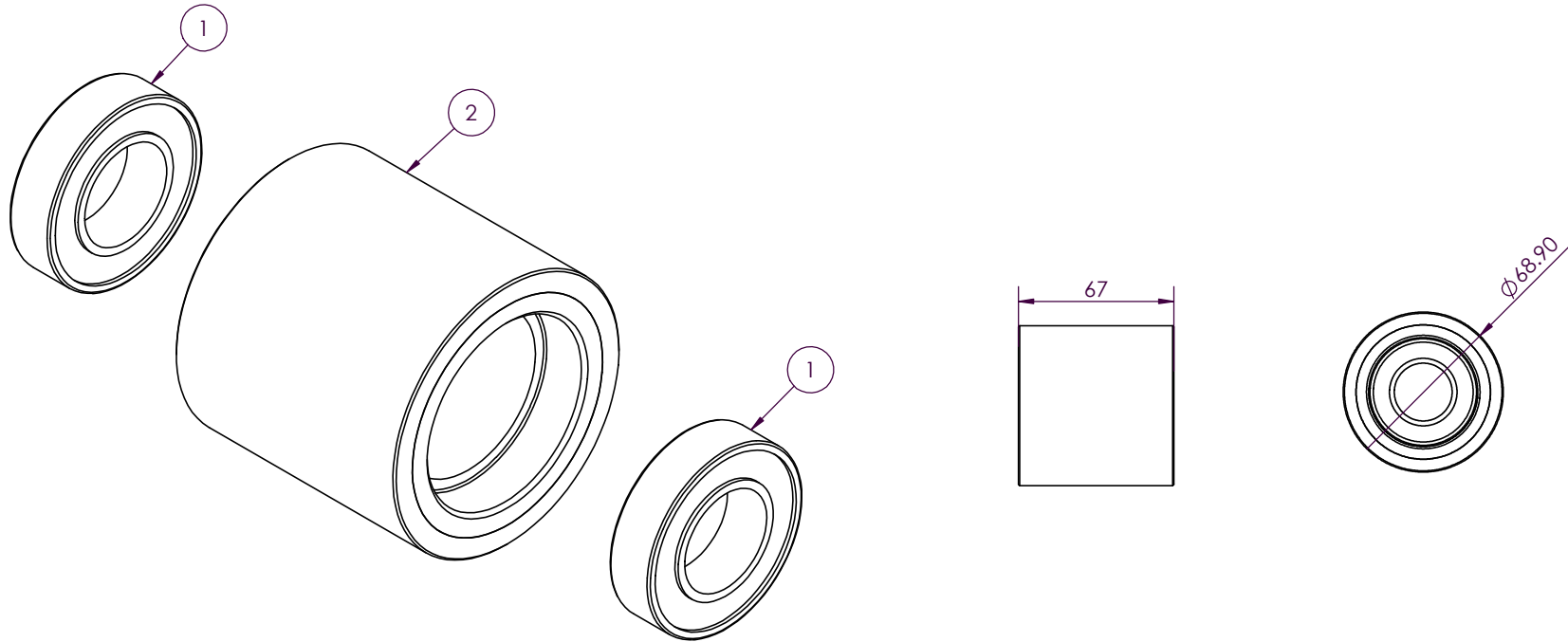
NOTE: ALL WEIGHTS AND DIMENSIONS ARE FOR REFERENCE ONLY

CONFIDENTIAL INFORMATION
 OF TRUE FITNESS TECHNOLOGY, INC., O'FALLON, MO. IT IS LOANED FOR CONFIDENTIAL USE. SUBJECT TO RETURN ON REQUEST, AND WITH THE MUTUAL UNDERSTANDING THAT IT WILL NOT BE USED IN ANY MANNER DETRIMENTAL TO THE INTERESTS OF TRUE FITNESS TECHNOLOGY, INC.

REV.	MCF#	DESCRIPTION	DATE	BY	APPRVL	TITLE	MATERIAL:	NOTES:	DRAWN BY	DATE	WEIGHT (KG)	DWG. SIZE	TRUE PART #:	REV.
A	-	ORIGINAL RELEASE	-	-	-	RIGHT MAIN OUTER COVER	Material <not specified>		JCP		1.51Kg	A	7XPS0014BK	0
						BREAK ALL SHARP CORNERS & EDGES UNLESS OTHERWISE SPECIFIED DIMENSIONS ARE IN MILLIMETERS TOLERANCES UNLESS NOTED: DECIMALS: .X ±.787mm .XX ±.381mm .XXX ±.127mm ANGULAR ±1° HOLES ±.127mm DO NOT SCALE DRAWING						FITNESS TECHNOLOGY, INC. O'FALLON, MO. 63366		

7XPS0020

ITEM NO.	PART NUMBER	DESCRIPTION	QTY.
1	7SX0126	BEARING, BALL 6005ZZ 2001ZZ6005	2
2	7XC0068	BEARING HOUSING	1



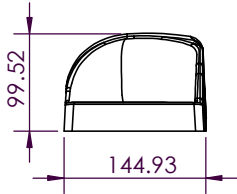
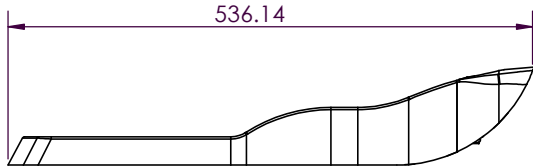
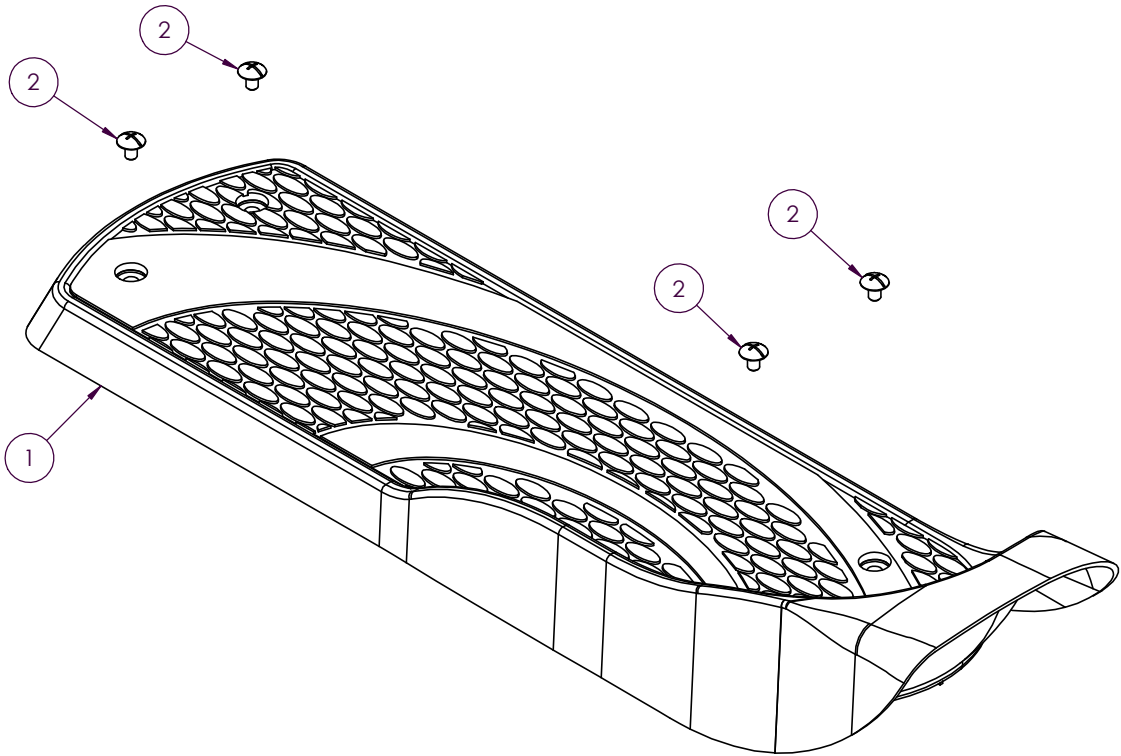
NOTE: ALL WEIGHTS AND DIMENSIONS ARE FOR REFERENCE ONLY

CONFIDENTIAL INFORMATION
 OF TRUE FITNESS TECHNOLOGY, INC., O'FALLON, MO. IT IS LOANED FOR CONFIDENTIAL USE. SUBJECT TO RETURN ON REQUEST, AND WITH THE MUTUAL UNDERSTANDING THAT IT WILL NOT BE USED IN ANY MANNER DETRIMENTAL TO THE INTERESTS OF TRUE FITNESS TECHNOLOGY, INC.

REV.	MCF#	DESCRIPTION	DATE	BY	APPRVL	TITLE	MATERIAL:	NOTES:	DRAWN BY	DATE	WEIGHT (KG)	DWG. SIZE	TRUE PART #:	REV.
						ROLLING WHEEL ASSEMBLY (PAIR)	Material <not specified>		JCP		1.39Kg	A	7XPS0020	0
A	-	ORIGINAL RELEASE	-	-	-	BREAK ALL SHARP CORNERS & EDGES								
						UNLESS OTHERWISE SPECIFIED DIMENSIONS ARE IN MILLIMETERS								
						TOLERANCES UNLESS NOTED: DECIMALS: .X ±.787mm .XX ±.381mm .XXX ±.127mm ANGULAR ±1° HOLES ±.127mm								
						DO NOT SCALE DRAWING								

7XPS0021LBK

ITEM NO.	PART NUMBER	Rexon Part #	DESCRIPTION	QTY.
1	7XC0031BK	10J339QD	LEFT SIDE STEP	1
2	26343E28	26343E28	M5X8 PAN HEAD SCREW	4



NOTE: ALL WEIGHTS AND DIMENSIONS ARE FOR REFERENCE ONLY

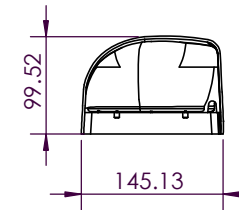
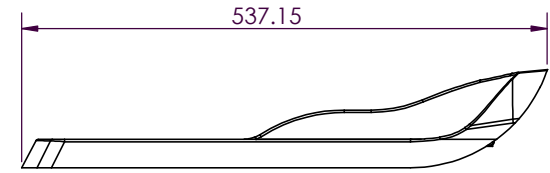
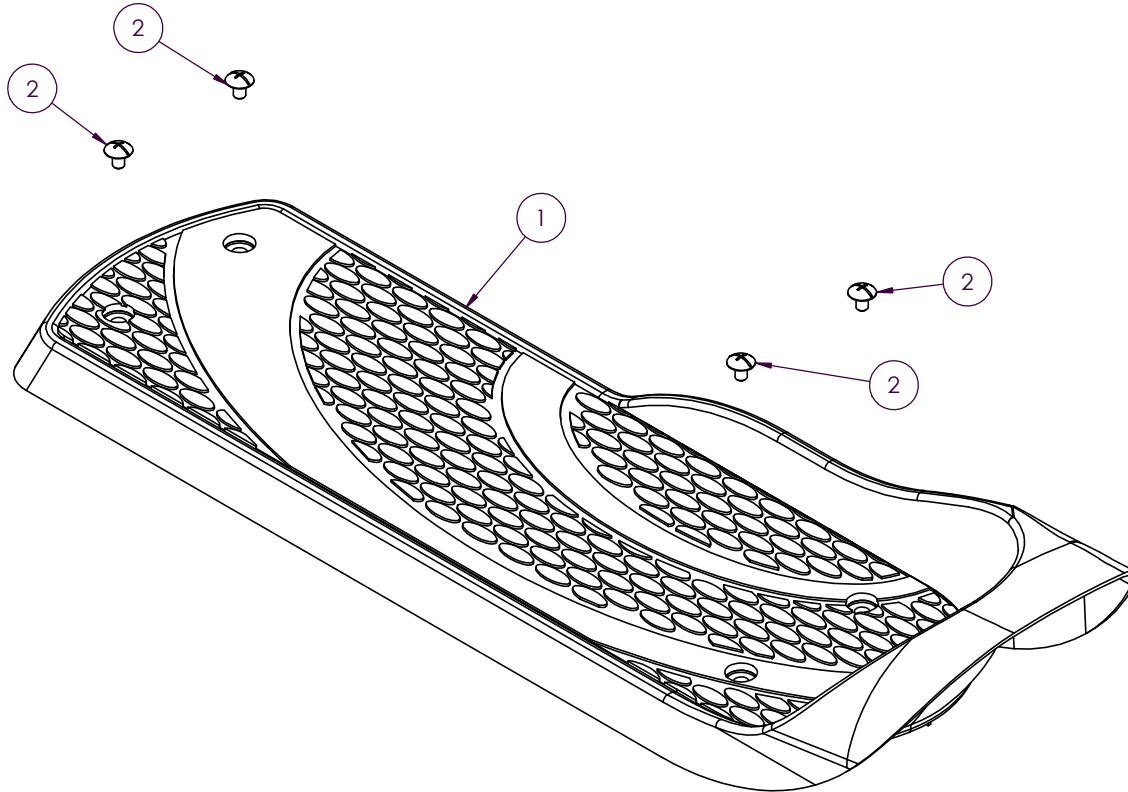
CONFIDENTIAL INFORMATION
 OF TRUE FITNESS TECHNOLOGY, INC., O'FALLON, MO. IT IS LOANED FOR CONFIDENTIAL USE. SUBJECT TO RETURN ON REQUEST, AND WITH THE MUTUAL UNDERSTANDING THAT IT WILL NOT BE USED IN ANY MANNER DETRIMENTAL TO THE INTERESTS OF TRUE FITNESS TECHNOLOGY, INC.

REV.	MCF#	DESCRIPTION	DATE	BY	APPRVL
A	-	ORIGINAL RELEASE	-	-	-

TITLE				LEFT SIDE STEP	
BREAK ALL SHARP CORNERS & EDGES		MATERIAL: Material <not specified>			
UNLESS OTHERWISE SPECIFIED DIMENSIONS ARE IN MILLIMETERS		NOTES:			
TOLERANCES UNLESS NOTED: DECIMALS: .X ±.787mm .XX ±.381mm .XXX ±.127mm ANGULAR ±1° HOLES ±.127mm DO NOT SCALE DRAWING		DRAWN BY		DATE	
				WEIGHT (KG) 0.54Kg	
		DWG. SIZE A		TRUE PART #: 7XPS0021LBK	
				REV.	

7XPS0021RBK

ITEM NO.	PART NUMBER	Rexon Part #	DESCRIPTION	QTY.
1	7XC0032BK	10J339Q8	RIGHT SIDE STEP	1
2	26343E28	26343E28	M5X8 PAN HEAD SCREW	4



NOTE: ALL WEIGHTS AND DIMENSIONS ARE FOR REFERENCE ONLY

CONFIDENTIAL INFORMATION
 OF TRUE FITNESS TECHNOLOGY, INC., O'FALLON, MO. IT IS LOANED FOR CONFIDENTIAL USE. SUBJECT TO RETURN ON REQUEST, AND WITH THE MUTUAL UNDERSTANDING THAT IT WILL NOT BE USED IN ANY MANNER DETRIMENTAL TO THE INTERESTS OF TRUE FITNESS TECHNOLOGY, INC.

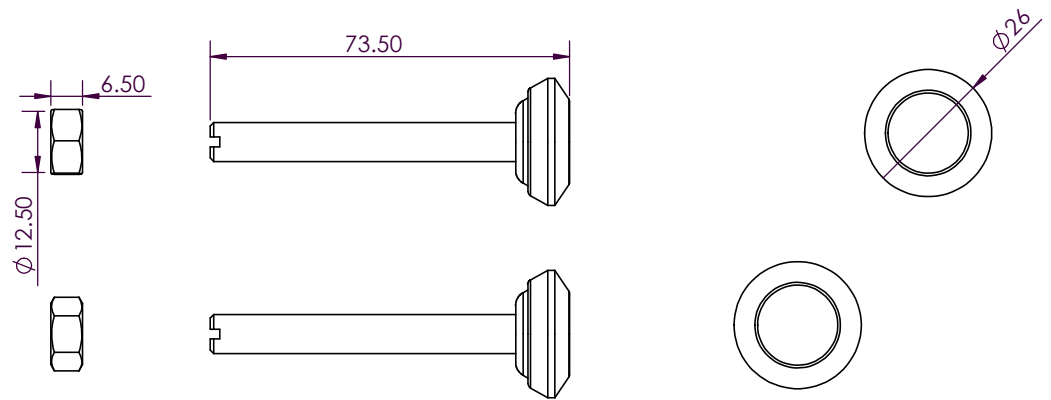
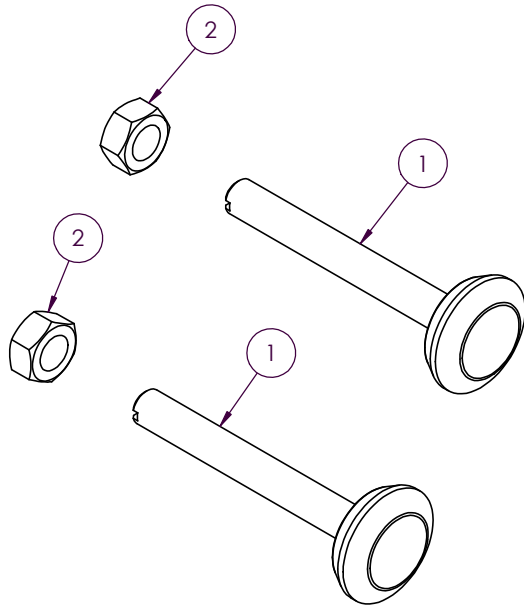
REV.	MCF#	DESCRIPTION	DATE	BY	APPRVL
A	-	ORIGINAL RELEASE	-	-	-

TITLE			
RIGHT SIDE STEP			
BREAK ALL SHARP CORNERS & EDGES		MATERIAL: Material <not specified>	
UNLESS OTHERWISE SPECIFIED DIMENSIONS ARE IN MILLIMETERS			
TOLERANCES UNLESS NOTED:		NOTES:	
DECIMALS:	.X ±.787mm	DRAWN BY: JCP	
	.XX ±.381mm	DATE:	
	.XXX ±.127mm	WEIGHT (KG): 0.54Kg	
ANGULAR ±1°	HOLES ±.127mm	DWG. SIZE: A	
DO NOT SCALE DRAWING		TRUE PART #: 7XPS0021RBK	
		REV. 0	



7XPS0027

ITEM NO.	PART NUMBER	Rexon Part #	DESCRIPTION	QTY.
1	7XC0036	11302LFU	COVER SUPPORT POST	2
2	2701FZD113	2701FZD113	M8X6.5 HEX NUT	2



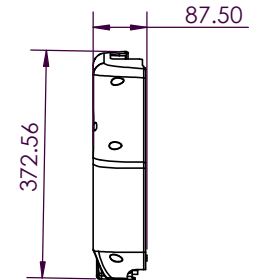
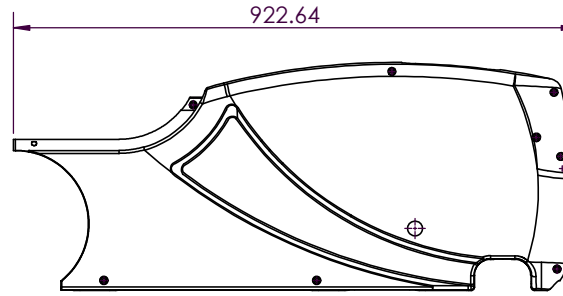
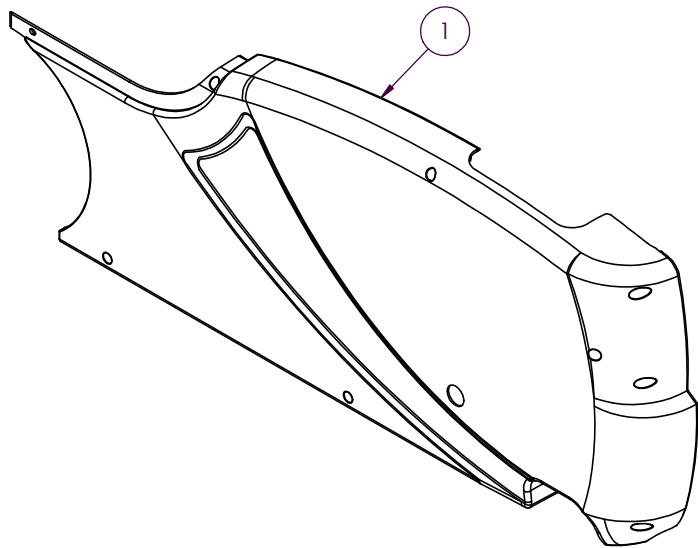
NOTE: ALL WEIGHTS AND DIMENSIONS ARE FOR REFERENCE ONLY

CONFIDENTIAL INFORMATION
 OF TRUE FITNESS TECHNOLOGY, INC., O'FALLON, MO. IT IS LOANED FOR CONFIDENTIAL USE. SUBJECT TO RETURN ON REQUEST, AND WITH THE MUTUAL UNDERSTANDING THAT IT WILL NOT BE USED IN ANY MANNER DETRIMENTAL TO THE INTERESTS OF TRUE FITNESS TECHNOLOGY, INC.

REV.	MCF#	DESCRIPTION	DATE	BY	APPRVL	TITLE	MATERIAL:	DATE	WEIGHT (KG)	DWG. SIZE	TRUE PART #:	REV.
A	-	ORIGINAL RELEASE	-	-	-	SHROUD STOP SET	Material <not specified>		0.12Kg	A	7XPS0027	0
						BREAK ALL SHARP CORNERS & EDGES UNLESS OTHERWISE SPECIFIED DIMENSIONS ARE IN MILLIMETERS TOLERANCES UNLESS NOTED: DECIMALS: .X ±.787mm .XX ±.381mm .XXX ±.127mm ANGULAR ±1° HOLES ±.127mm DO NOT SCALE DRAWING		DRAWN BY: JCP DATE:		NOTES: FITNES TECHNOLOGY, INC. O'FALLON, MO. 63366		

7XPS0049BK

ITEM NO.	TRUE PART #	Rexon Part #	DESCRIPTION	QTY.
1	7XPS0049BK	10J339QB	COVER, INNER FRONT LEFT	1



NOTE: ALL WEIGHTS AND DIMENSIONS ARE FOR REFERENCE ONLY

CONFIDENTIAL INFORMATION

OF TRUE FITNESS TECHNOLOGY, INC., O'FALLON, MO. IT IS LOANED FOR CONFIDENTIAL USE. SUBJECT TO RETURN ON REQUEST, AND WITH THE MUTUAL UNDERSTANDING THAT IT WILL NOT BE USED IN ANY MANNER DETRIMENTAL TO THE INTERESTS OF TRUE FITNESS TECHNOLOGY, INC.

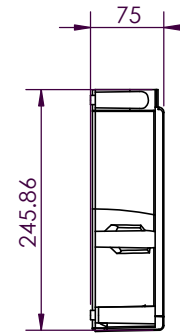
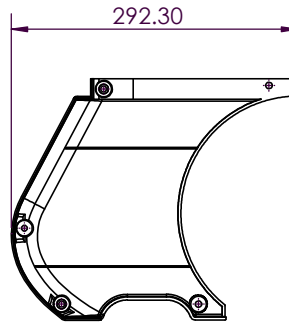
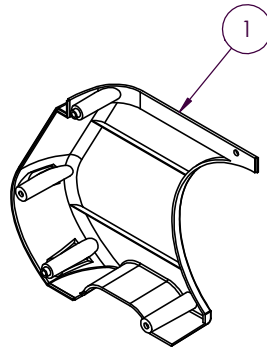
REV.	MCF#	DESCRIPTION	DATE	BY	APPRVL	TITLE	MATERIAL:	DATE	WEIGHT (KG)	DWG. SIZE	TRUE PART #:	REV.
A	-	ORIGINAL RELEASE	-	-	-	COVER, INNER FRONT LEFT	ABS PC	7/5/2018	1.16Kg	A	7XPS0049BK	-

BREAK ALL SHARP CORNERS & EDGES
 UNLESS OTHERWISE SPECIFIED DIMENSIONS ARE IN MILLIMETERS
 TOLERANCES UNLESS NOTED:
 DECIMALS:
 .X ±.787mm
 .XX ±.381mm
 .XXX ±.127mm
 ANGULAR ±1°
 HOLES ±.127mm
 DO NOT SCALE DRAWING

TRUE
 FITNESS TECHNOLOGY, INC.
 O'FALLON, MO. 63366

7XPS0051BK

ITEM NO.	TRUE PART #	Rexon Part #	DESCRIPTION	QTY.
1	7XPS0051BK	10J339Q6	COVER, INNER REAR RIGHT	1



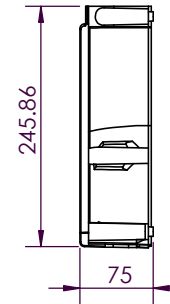
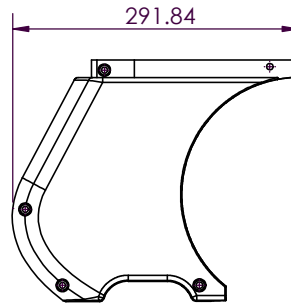
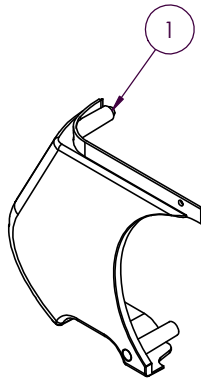
NOTE: ALL WEIGHTS AND DIMENSIONS ARE FOR REFERENCE ONLY

CONFIDENTIAL INFORMATION
 OF TRUE FITNESS TECHNOLOGY, INC., O'FALLON, MO. IT IS LOANED FOR CONFIDENTIAL USE. SUBJECT TO RETURN ON REQUEST, AND WITH THE MUTUAL UNDERSTANDING THAT IT WILL NOT BE USED IN ANY MANNER DETRIMENTAL TO THE INTERESTS OF TRUE FITNESS TECHNOLOGY, INC.

REV.	MCF#	DESCRIPTION	DATE	BY	APPRVL	TITLE	MATERIAL:	DATE	WEIGHT (KG)	REV.
A	-	ORIGINAL RELEASE	-	-	-	COVER, INNER REAR RIGHT		7/5/2018		-
						BREAK ALL SHARP CORNERS & EDGES UNLESS OTHERWISE SPECIFIED DIMENSIONS ARE IN MILLIMETERS TOLERANCES UNLESS NOTED: DECIMALS: .X ±.787mm .XX ±.381mm .XXX ±.127mm ANGULAR ±1° HOLES ±.127mm DO NOT SCALE DRAWING	NOTES: DRAWN BY: JCP DATE: 7/5/2018 WEIGHT (KG):			
						FITNESS TECHNOLOGY, INC. O'FALLON, MO. 63366	DWG. SIZE: A			TRUE PART #: 7XPS0051BK

7XPS0052BK

ITEM NO.	TRUE PART #	Rexon Part #	DESCRIPTION	QTY.
1	7XPS0052BK	10J339QC	COVER, INNER REAR LEFT	1




NOTE: ALL WEIGHTS AND DIMENSIONS ARE FOR REFERENCE ONLY

CONFIDENTIAL INFORMATION

OF TRUE FITNESS TECHNOLOGY, INC., O'FALLON, MO. IT IS LOANED FOR CONFIDENTIAL USE. SUBJECT TO RETURN ON REQUEST, AND WITH THE MUTUAL UNDERSTANDING THAT IT WILL NOT BE USED IN ANY MANNER DETRIMENTAL TO THE INTERESTS OF TRUE FITNESS TECHNOLOGY, INC.

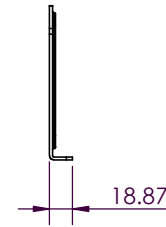
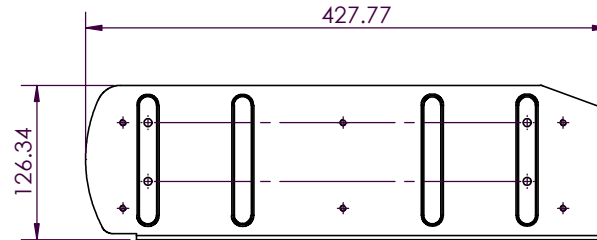
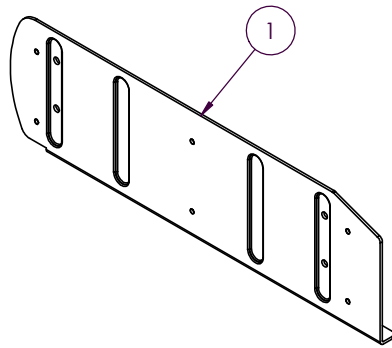
REV.	MCF#	DESCRIPTION	DATE	BY	APPRVL	TITLE	MATERIAL:	DATE	WEIGHT (KG)	DWG. SIZE	TRUE PART #:	REV.
A	-	ORIGINAL RELEASE	-	-	-	COVER, INNER REAR LEFT	ABS PC	7/5/2018	0.25Kg	A	7XPS0052BK	-

BREAK ALL SHARP CORNERS & EDGES
 UNLESS OTHERWISE SPECIFIED DIMENSIONS ARE IN MILLIMETERS
 TOLERANCES UNLESS NOTED:
 DECIMALS:
 .X ±.787mm
 .XX ±.381mm
 .XXX ±.127mm
 ANGULAR ±1°
 HOLES ±.127mm
 DO NOT SCALE DRAWING


 FITNESS TECHNOLOGY, INC.
 O'FALLON, MO. 63366

7XPS0058

ITEM NO.	TRUE PART #	Rexon Part #	DESCRIPTION	QTY.
1	7XPS0058	10J339NW	LEFT FOOT BRACKET	1



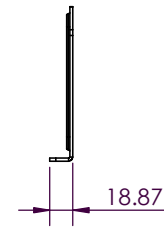
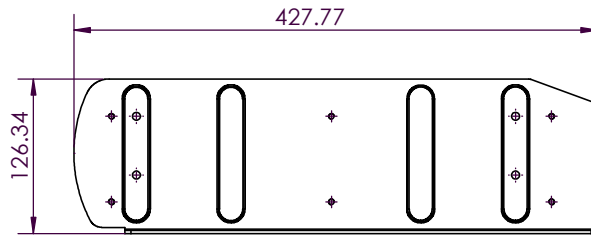
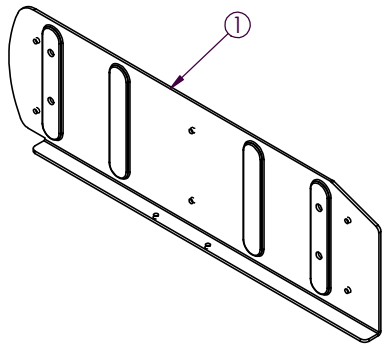
NOTE: ALL WEIGHTS AND DIMENSIONS ARE FOR REFERENCE ONLY

CONFIDENTIAL INFORMATION
 OF TRUE FITNESS TECHNOLOGY, INC., O'FALLON, MO. IT IS LOANED FOR CONFIDENTIAL USE. SUBJECT TO RETURN ON REQUEST, AND WITH THE MUTUAL UNDERSTANDING THAT IT WILL NOT BE USED IN ANY MANNER DETRIMENTAL TO THE INTERESTS OF TRUE FITNESS TECHNOLOGY, INC.

REV.	MCF#	DESCRIPTION	DATE	BY	APPRVL	TITLE	MATERIAL:	DATE	WEIGHT (KG)	REV.
A	-	ORIGINAL RELEASE	-	-	-	LEFT FOOT BRACKET	Plain Carbon Steel	7/3/2018	1.18Kg	-
						BREAK ALL SHARP CORNERS & EDGES UNLESS OTHERWISE SPECIFIED DIMENSIONS ARE IN MILLIMETERS TOLERANCES UNLESS NOTED: DECIMALS: .X ±.787mm .XX ±.381mm .XXX ±.127mm ANGULAR ±1° HOLES ±.127mm DO NOT SCALE DRAWING	NOTES: DRAWN BY: JCP DATE: 7/3/2018 WEIGHT (KG): 1.18Kg			
						FITNESS TECHNOLOGY, INC. O'FALLON, MO. 63366	DWG. SIZE: A		TRUE PART #: 7XPS0058	

7XPS0059


ITEM NO.	TRUE PART #	Rexon Part #	DESCRIPTION	QTY.
1	7XPS0059	10J339NX	RIGHT FOOT BRACKET	1



NOTE: ALL WEIGHTS AND DIMENSIONS ARE FOR REFERENCE ONLY

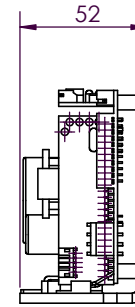
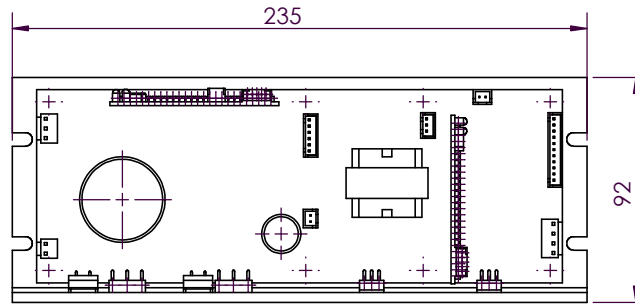
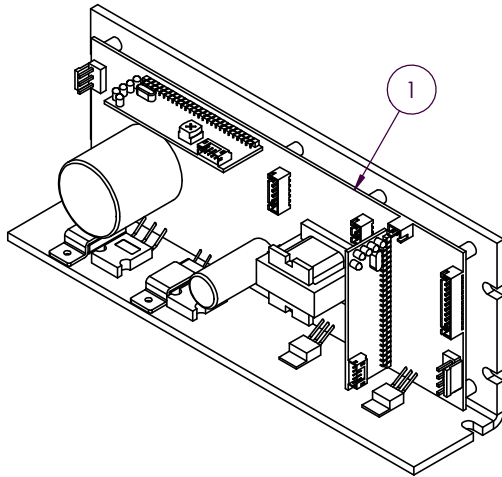
CONFIDENTIAL INFORMATION

OF TRUE FITNESS TECHNOLOGY, INC., O'FALLON, MO. IT IS LOANED FOR CONFIDENTIAL USE. SUBJECT TO RETURN ON REQUEST, AND WITH THE MUTUAL UNDERSTANDING THAT IT WILL NOT BE USED IN ANY MANNER DETRIMENTAL TO THE INTERESTS OF TRUE FITNESS TECHNOLOGY, INC.

REV.	MCF#	DESCRIPTION	DATE	BY	APPRVL	TITLE	MATERIAL:	DATE	WEIGHT (KG)	REV.
A	-	ORIGINAL RELEASE	-	-	-	RIGHT FOOT BRACKET	Plain Carbon Steel	7/3/2018	1.18Kg	-
						BREAK ALL SHARP CORNERS & EDGES UNLESS OTHERWISE SPECIFIED DIMENSIONS ARE IN MILLIMETERS TOLERANCES UNLESS NOTED: DECIMALS: .X ±.787mm .XX ±.381mm .XXX ±.127mm ANGULAR ±1° HOLES ±.127mm DO NOT SCALE DRAWING	NOTES: DRAWN BY: JCP DATE: 7/3/2018 WEIGHT (KG): 1.18Kg			
						 FITNESS TECHNOLOGY, INC. O'FALLON, MO. 63366	DWG. SIZE: A	TRUE PART #: 7XPS0059		

00591500

ITEM NO.	TRUE PART #	Rexon Part #	DESCRIPTION	QTY.
1	00591500		LOWER CONTROL BOARD	1



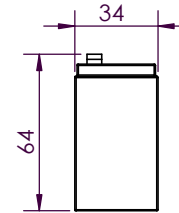
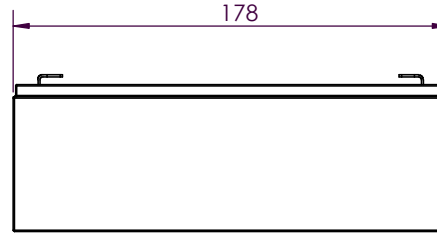
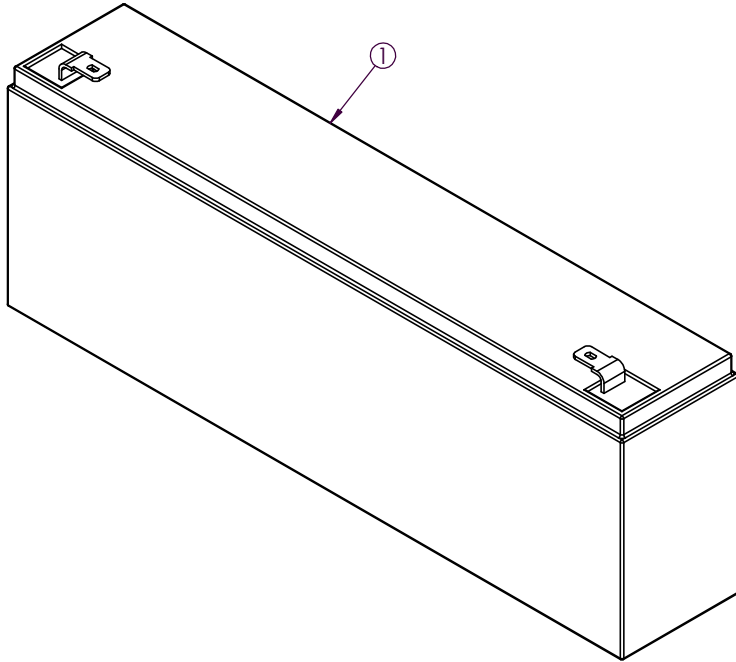
NOTE: ALL WEIGHTS AND DIMENSIONS ARE FOR REFERENCE ONLY

CONFIDENTIAL INFORMATION
 OF TRUE FITNESS TECHNOLOGY, INC., O'FALLON, MO. IT IS LOANED FOR CONFIDENTIAL USE. SUBJECT TO RETURN ON REQUEST, AND WITH THE MUTUAL UNDERSTANDING THAT IT WILL NOT BE USED IN ANY MANNER DETRIMENTAL TO THE INTERESTS OF TRUE FITNESS TECHNOLOGY, INC.

REV.	MCF#	DESCRIPTION	DATE	BY	APPRVL	TITLE	MATERIAL:	DATE	WEIGHT (KG)	REV.
A	-	ORIGINAL RELEASE	-	-	-	LOWER CONTROL BOARD		10/26/17		00
						BREAK ALL SHARP CORNERS & EDGES UNLESS OTHERWISE SPECIFIED DIMENSIONS ARE IN MILLIMETERS TOLERANCES UNLESS NOTED: DECIMALS: .X ±.787mm .XX ±.381mm .XXX ±.127mm ANGULAR ±1° HOLES ±.127mm DO NOT SCALE DRAWING	NOTES: DRAWN BY: JMK DATE: 10/26/17 WEIGHT (KG):			
						FITNESS TECHNOLOGY, INC. O'FALLON, MO. 63366	DWG. SIZE: A			TRUE PART #: 00591500

70588800

ITEM NO.	TRUE PART #	Rexon Part #	DESCRIPTION	QTY.
1	70588800		BATTERY, YUSA NP 2.3-12FR (IATA SP A67)	1



NOTE: ALL WEIGHTS AND DIMENSIONS ARE FOR REFERENCE ONLY

CONFIDENTIAL INFORMATION

OF TRUE FITNESS TECHNOLOGY, INC., O'FALLON, MO, IT IS LOANED FOR CONFIDENTIAL USE. SUBJECT TO RETURN ON REQUEST, AND WITH THE MUTUAL UNDERSTANDING THAT IT WILL NOT BE USED IN ANY MANNER DETRIMENTAL TO THE INTERESTS OF TRUE FITNESS TECHNOLOGY, INC.

REV.	MCF#	DESCRIPTION	DATE	BY	APPRVL	TITLE	MATERIAL:	NOTES:	DRAWN BY	DATE	WEIGHT (KG)	DWG. SIZE	TRUE PART #:	REV.
						BATTERY, YUSA NP 2.3-12FR (IATA SP A67)	Plain Carbon Steel		JCP	7/5/2018	2.82Kg	A	70588800	-
A	-	ORIGINAL RELEASE	-	-	-									

BREAK ALL SHARP CORNERS & EDGES
 UNLESS OTHERWISE SPECIFIED DIMENSIONS ARE IN MILLIMETERS
 TOLERANCES UNLESS NOTED:
 DECIMALS:
 .X ±.787mm
 .XX ±.381mm
 .XXX ±.127mm
 ANGULAR ±1°
 HOLES ±.127mm
 DO NOT SCALE DRAWING



