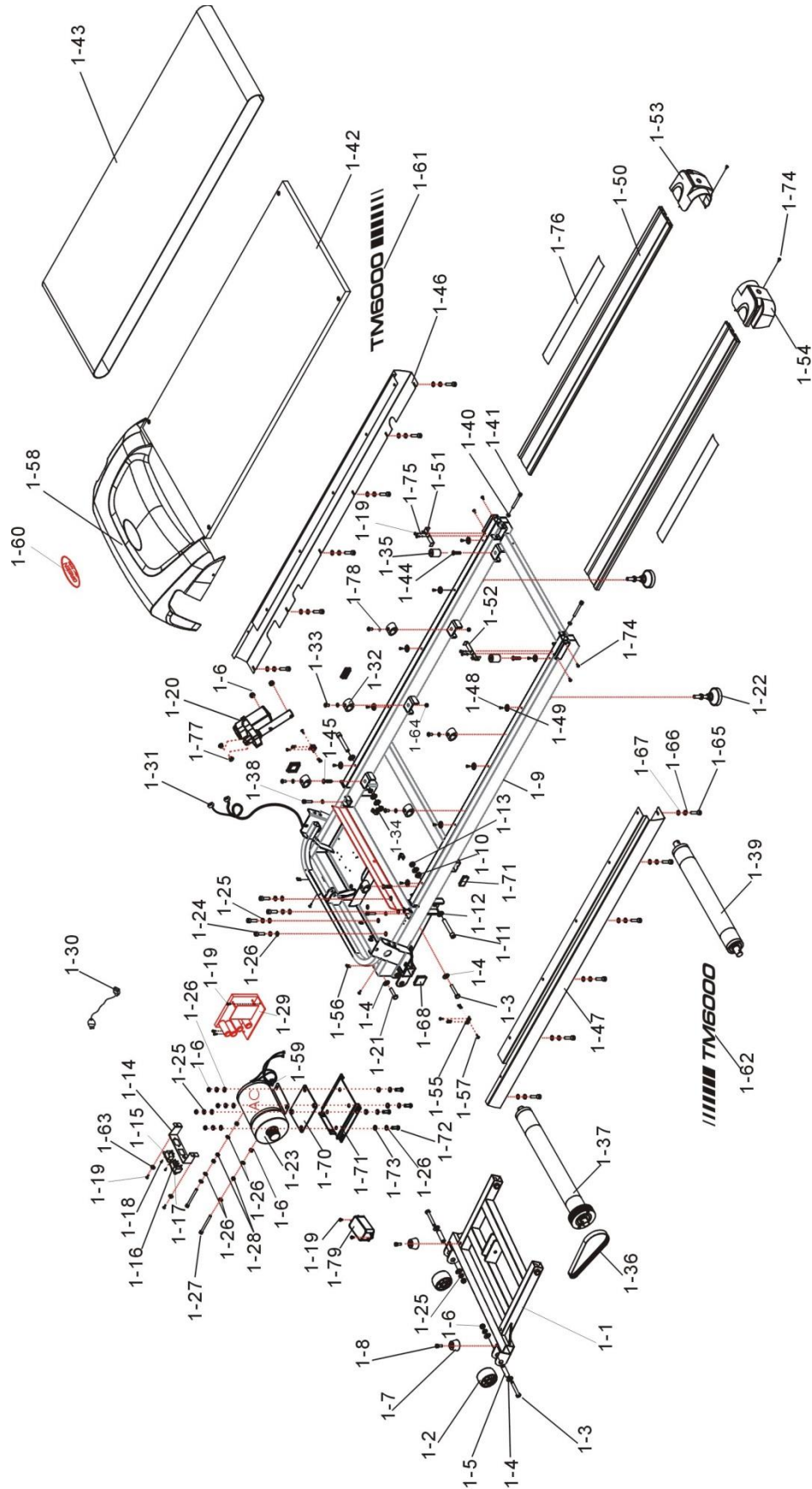


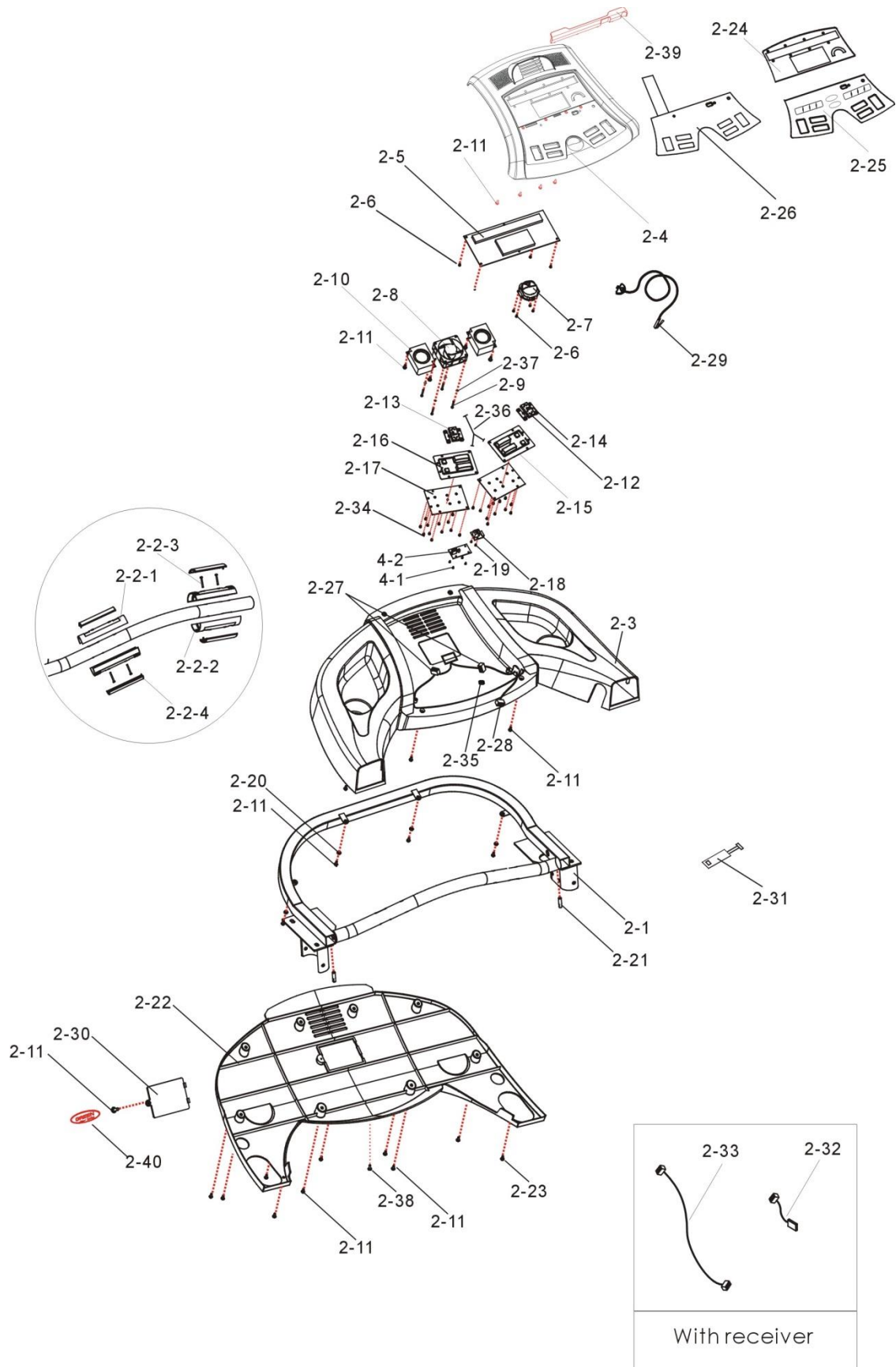
PART LIST

ITEM	Part No.	DESCRIPTION	Q'TY	ITEM	Part No.	DESCRIPTION	Q'TY
1-1	F500387-000	Lift arm	1				
1-2	F300346-000	Rear wheel	2			CONSOLE SET	
1-3	H020302-017	Bolt M10x70mm	3	2-1	F500345-004	Console frame	1
1-4	H021109-039	Washer M10	6	2-2	F880339-000	Hand Pulse Assembled Set	1
1-5	F290051-001	Wheel axle center	2	2-2-1	F300341-000	Hand pulse upper cover	2
1-6	H022303-000	Nut M10	10	2-2-2	F300281-000	Hand pulse lower cover	2
1-7	F330030-000	Rubber Suspension	2	2-2-3	H020109-014	Bolt M3x20mm	4
1-8	H020626-003	Bolt M8x20mm	2	2-2-4	F270271-000	Hand pulse plate	4
1-9	F500342-001	Running deck frame	1	2-3	F300389-110	Upper console cover / K90	1
1-10	F060000-000	Bushing	2	2-4	F300504-103	Console housing / K90	1
1-11	H020674-001	Bolt 1/2"x82mm	2	2-5	F373426-001	Panel console	1
1-12	H021130-005	Washer M13	4	2-6	H020201-002	Bolt M3x6mm	8
1-13	H022314-001	Nut 1/2"	2	2-7	F300430-000	Safety key base	1
1-14	F270676-000	Wire set plate	1	2-8	F373262-000	Fan	1
1-15	F376002-000	Electric socket	1	2-9	H020201-005	Bolt M3x30mm	4
1-16	F090012-000	On-off switch	1	2-10	F410006-000	Speaker	2
1-17	F091001-001	Power breaker	1	2-11	H020173-000	Bolt M4x12mm	19
1-18	H020118-001	Bolt M3x8L	2	2-12	F300526-000	Speed button	1
1-19	H020803-000	Bolt M4x10L	11	2-13	F300525-000	Incline button	1
1-20	F991023-001	Incline motor	1	2-14	F300265-000	Fixing bracket, button	4
1-21	H020302-014	Bolt M10x45mm	1	2-15	F330061-000	Rubber key-Start	1
1-22	F300376-000	Adjust pad	2	2-16	F330066-000	Rubber key-Stop	1
1-23	F994006-000	AC motor	1	2-17	F373288-000	Button PCB	2
1-24	H020615-007	Bolt M10x25L	4	2-18	F373274-000	Audio jack	1
1-25	H021205-000	S Washer M10	10	2-19	H020220-000	Bolt M2x5mm	2
1-26	H021109-022	Washer M10	17	2-20	H021110-001	Washer M4	4
1-27	H020615-017	Bolt M10x80mm	2	2-21	F290031-000	Screw location fixer	2
1-28	H022102-004	Nut M10	3	2-22	F300506-103	Lower console cover / K90	1
1-29	F372046-002	Inverter	1	2-23	H020803-000	Bolt M4x10mm	8
1-30	F083104-004	Power cord	1	2-24	F916317-010	Upper Overlay	1
1-31	F080189-001	Lower console wire	1	2-25	F916316-011	Lower Overlay	1
1-32	F330059-000	Rubber cushion-1	6	2-26	F340034-002	Operational button	1
1-33	H020638-001	Bolt M8x20L	6	2-27	F080024-000	Hand pulse wire	1
1-34	F270674-000	Tooth plate	2	2-28	F080188-000	Console wire	1
1-35	F330037-000	Rubber cushion-2	2	2-29	F900013-007	Safety key	1
1-36	H041019-000	Drive belt	1	2-30	F300535-103	Software update cap / K90	1
1-37	F298017-000	Front roller	1	2-31	F373299-000	Hand pulse PCB	1
1-38	H020620-003	Bolt M8x50mm	2	2-32	F373354-000	Receiver	1
1-39	F299018-000	Rear roller	1	2-33	F080138-001	Receiver wire	1
1-40	H021209-000	S Washer M8	4	2-34	H020172-001	Bolt M3x8L	24
1-41	H020608-001	Bolt M8x70mm	2	2-35	F379000-000	Clip, motor	1
1-42	F580019-000	Running deck	1	2-36	F080175-000	Keypad control wire	1
1-43	F570045-003	Running belt	1	2-37	H021119-001	Washer M3	4
1-44	H020824-000	Bolt M8x35mm	2	2-38	H020821-000	Bolt M4x10mm	1
1-45	H020830-000	Bolt M8x40mm	4	2-39	F300647-100	Reading Rack	1
1-46	F270666-003	Right side rail / K90	1	2-40	F916300-013	Logo	1
1-47	F270667-003	Left side rail / K90	1				
1-48	H020802-008	Bolt M5x10mm	10				
1-49	F300369-000	Side rail fixer	10				
1-50	F300507-003	Upper side rail / K90	2				
1-51	F270670-000	Fixing bracket, right roller cover	1	3-1	F500411-004	Console mast (right)	1
1-52	F270669-000	Fixing bracket, left roller cover	1	3-2	F500410-004	Console mast (left)	1
1-53	F300503-103	Right roller cover / K90	1	3-3	H020603-000	Bolt M8x15mm	2
1-54	F300502-103	Left roller cover / K90	1	3-4	H021100-000	Washer M8	20
1-55	F270080-001	Fixing bracket, protective cover	2	3-5	F900587-001	Right handle bar	1
1-56	H022800-001	Tooth plate	6	3-6	F900586-001	Left handle bar	1
1-57	H020207-002	Bolt M4x15mm	6	3-7	F270222-000	Power cord locker	1
1-58	F300501-103	Upper motor cover / K90	1	3-8	H020201-003	Bolt M3x12L	1
1-59	F379001-000	Clip, motor	1	3-9	H020602-004	Bolt M8x25mm	18
1-60	F916212-032	Logo	1	3-10	H021209-000	S Washer M8	16
1-61	F916273-143	Right side rail sticker	1	3-11	F916438-000	Green Series Logo	2
1-62	F916273-144	Left side rail sticker	1				
1-63	H021206-001	S Washer M4	6				
1-64	H022302-000	Nut M8	6				
1-65	H020601-002	Bolt M5x12L	12				
1-66	H021605-001	S Washer M5	12			USB charger	
1-67	H021121-000	Washer M5	12	4-1	H020220-000	Bolt M2x5mm	4
1-68	F300568-000	Stopper 45x45 mm	2	4-2	F373259-000	USB charger	1
1-69	F300002-000	Stopper 25x50 mm	2				
1-70	F330041-000	Motor Suspension	1				
1-71	F270365-000	AC Motor Set Plate	1				
1-72	H020302-016	Bolt M10x30mm	4				
1-73	F300043-002	Motor Washer	4				
1-74	H020803-001	Bolt M4x10mm	6				
1-75	H021206-000	S Washer M4	4				
1-76	F916215-001	Non-slip sticker	2				
1-77	F300037-000	Incline motor Bushing	2				
1-78	H021120-004	Washer M8	6				
1-79	F377007-001	Wave filter	1				

EXPLODED DRAWING



EXPLODED DRAWING (CONSOLE SET)



EXPLODED DRAWING (CONSOLE MAST SET)

