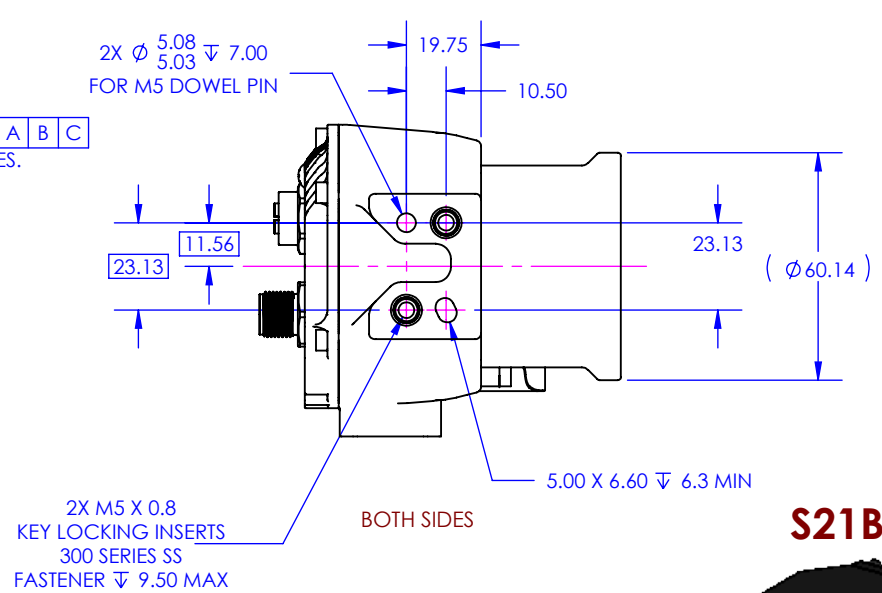
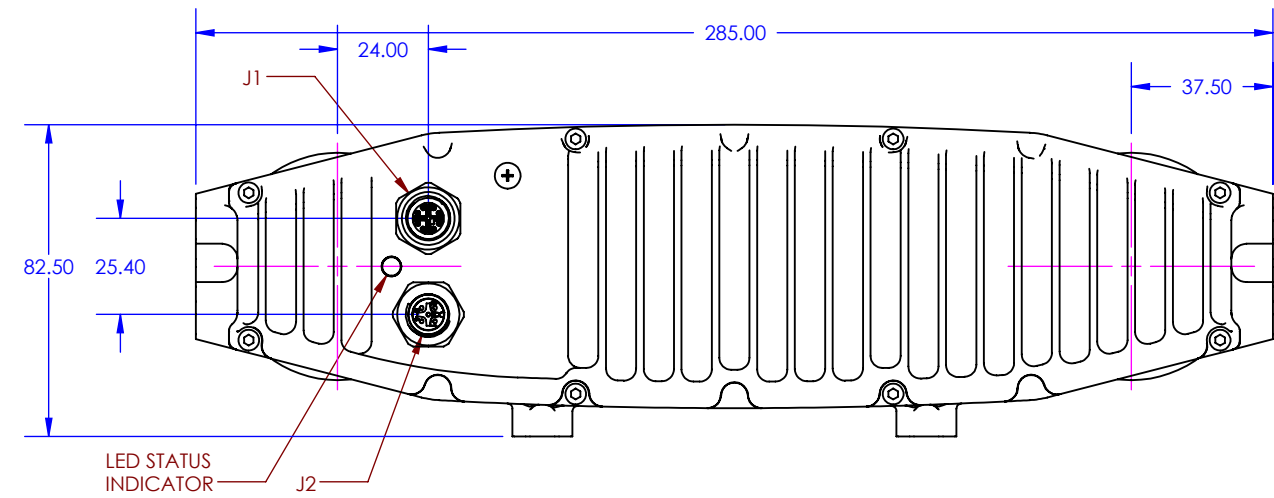
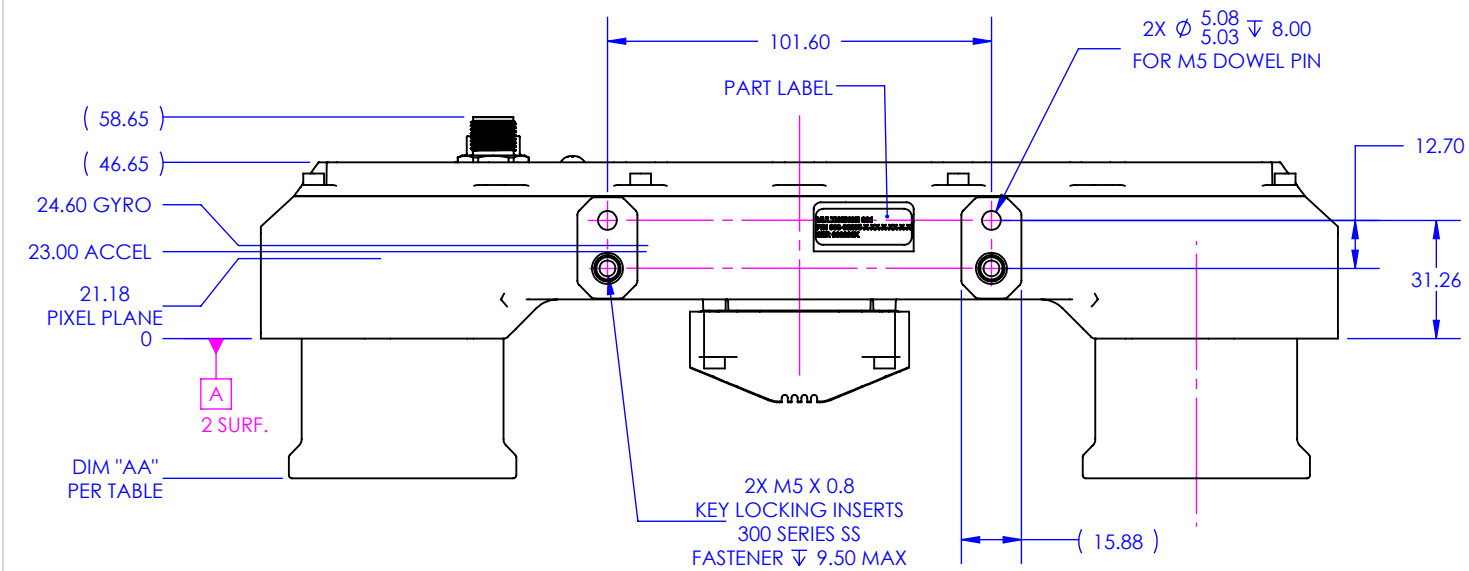
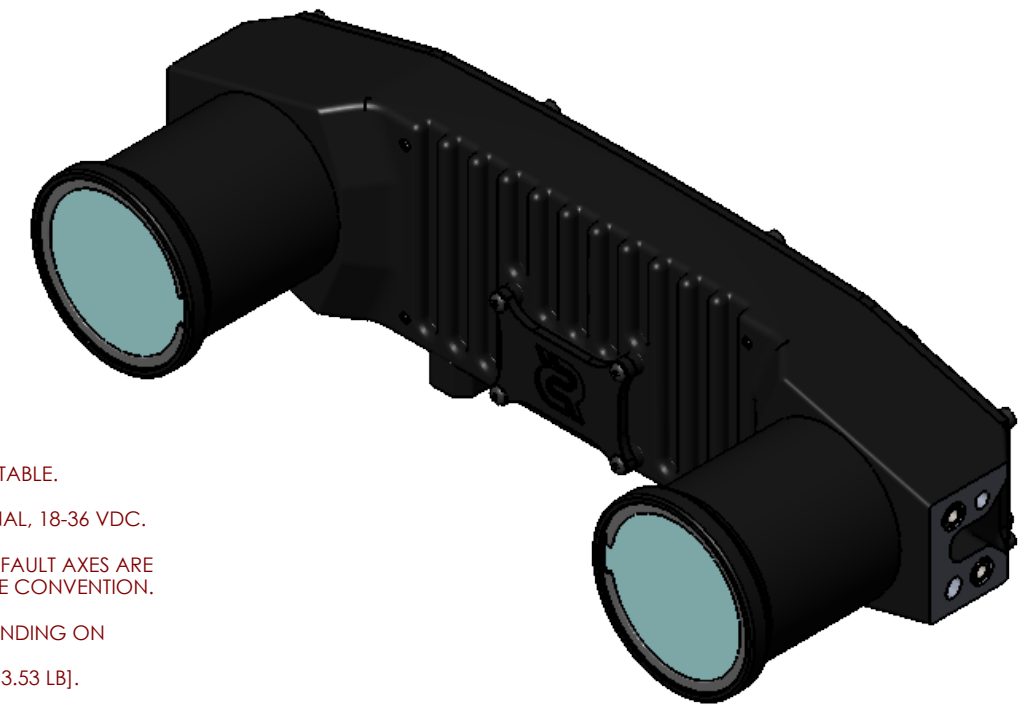


REVISION HISTORY			
REV	DESCRIPTION	DATE	APPROVED
A	INITIAL RELEASE	2017-11-30	REM
B	REMOVED 4MP IMAGER OPTIONS	2018-02-06	MCC

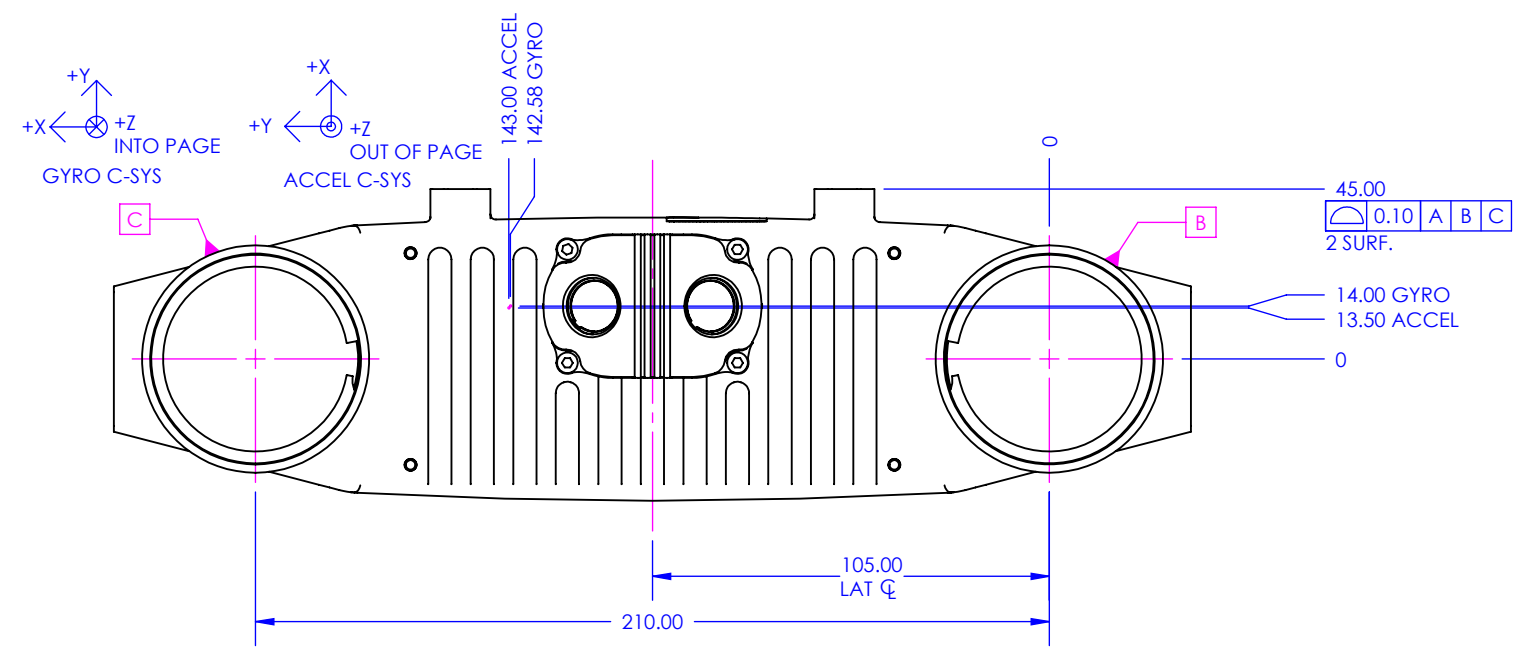


S21B-1-2M-N-060-1-N SHOWN



NOTE(S) UNLESS OTHERWISE SPECIFIED:

- SEE SHEET 2 FOR PART CONFIGURATION TABLE.
- INPUT POWER VOLTAGE: 24 VDC NOMINAL, 18-36 VDC.
- GYRO AND ACCEL/MAGNETOMETER DEFAULT AXES ARE SHOWN AXES FOLLOW RIGHT HAND RULE CONVENTION.
- MASS 1.40 - 1.90 KG [3.08 - 4.20 LB] DEPENDING ON CONFIGURATION.
S21B-1-2M-N-060-1-N IS 1.60 KG [3.53 LB].



NOTE(S) UNLESS OTHERWISE SPECIFIED:

- SEE SHEET 2 FOR PART CONFIGURATION TABLE.
- INPUT POWER VOLTAGE: 24 VDC NOMINAL, 18-36 VDC.
- GYRO AND ACCEL/MAGNETOMETER DEFAULT AXES ARE SHOWN AXES FOLLOW RIGHT HAND RULE CONVENTION.
- MASS 1.40 - 1.90 KG [3.08 - 4.20 LB] DEPENDING ON CONFIGURATION.
S21B-1-2M-N-060-1-N IS 1.60 KG [3.53 LB].

LENS NUMBER	DIM "AA" ± 0.25
045	38.19
048	37.00
050	39.75
060	58.65
080	53.70
125	52.80

LED STATUS INDICATOR	
PATTERN	DESCRIPTION
	NON-OP

J2	
M12-A5/M	
1	24 VDC
2	CAM TRIG
3	PWR GND
4	PPS
5	I/O GND

J1	
M12-X8/F	
1000 BASE T	
1	A+
2	A-
3	B+
4	B-
5	D+
6	D-
7	C-
8	C+

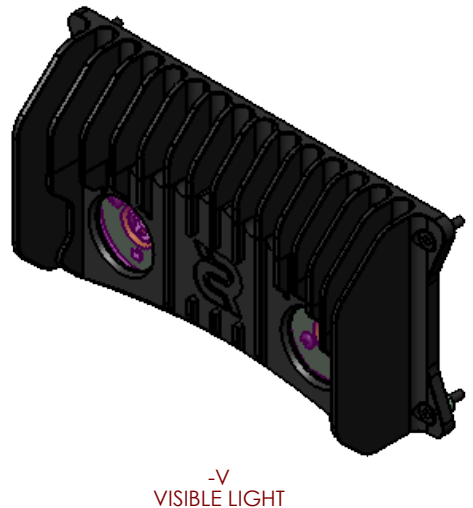
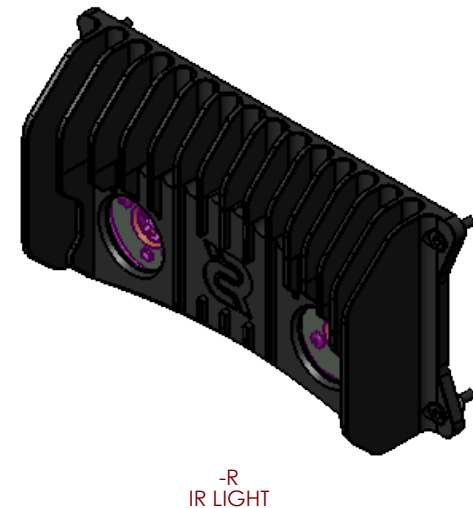
 Carnegie Robotics 4501 HATFIELD STREET PITTSBURGH, PA 15201 412-251-0321 CARNIEGEROBOTICS.COM CAGE CODE: 4QND3	ENGR REM 2017-01-23	DATE 2017-01-23	MULTISENSE S21B			
	CHECKED REM 2017-11-30	2017-11-30	SIZE B	PART NUMBER S21B	REV B	
	ENGR REM 2016-11-10	2016-11-10				
	APPROVED REM 2017-11-30	2017-11-30				
THE INFORMATION CONTAINED IN THIS DRAWING IS THE SOLE PROPERTY OF CARNIEGEROBOTICS LLC. ANY REPRODUCTION IN PART OR AS A WHOLE WITHOUT THE WRITTEN PERMISSION OF CARNIEGEROBOTICS LLC IS PROHIBITED.			UNLESS OTHERWISE SPECIFIED DIMENSIONS ARE IN MILLIMETERS TOLERANCES: SURFACE FINISH: ANGULAR ± 0.5° FINISH: 1.6 X ± 1.3 X.X ± 0.5 X.XX ± 0.13	MATERIAL N/A	FINISH SEE NOTE	DO NOT SCALE SHEET 1 OF 2

AUXILIARY LIGHTING CONFIGURATIONS

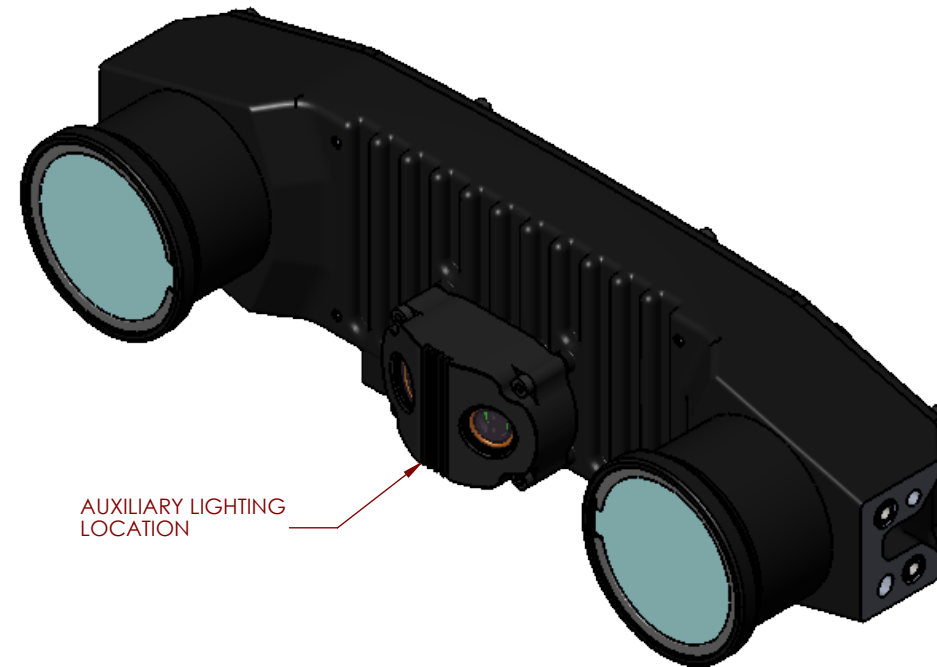


PART CONFIGURATION TABLE											
COATING 1.		IMAGER		IR FILTER		LENS		CONNECTOR		AUXILIARY	
1	BLACK POWDERCOAT	2M	2MP MONO	N	NONE	048	4.8 MM FL, 115° HFOV	1	M12-A5/M, M12-X8/F	N	NONE
		2C	2MP COLOR	V	VIS 0, 400-700 UM	050	5.0 MM FL, 95° HFOV			R	IR LIGHT
		2R	2MP IR ENHANCED	R	VIS 0 + NIR, 400-900 UM	060	6.0 MM FL, 80° HFOV			P	IR PATTERN PROJ
				W	WIDE, 400-1100 UM	080	8.0 MM FL, 80° HFOV			V	VISIBLE LIGHT
				B	BANDPASS, 400-700 UM, 830-870 UM	125	12.5 MM FL, 45° HFOV				

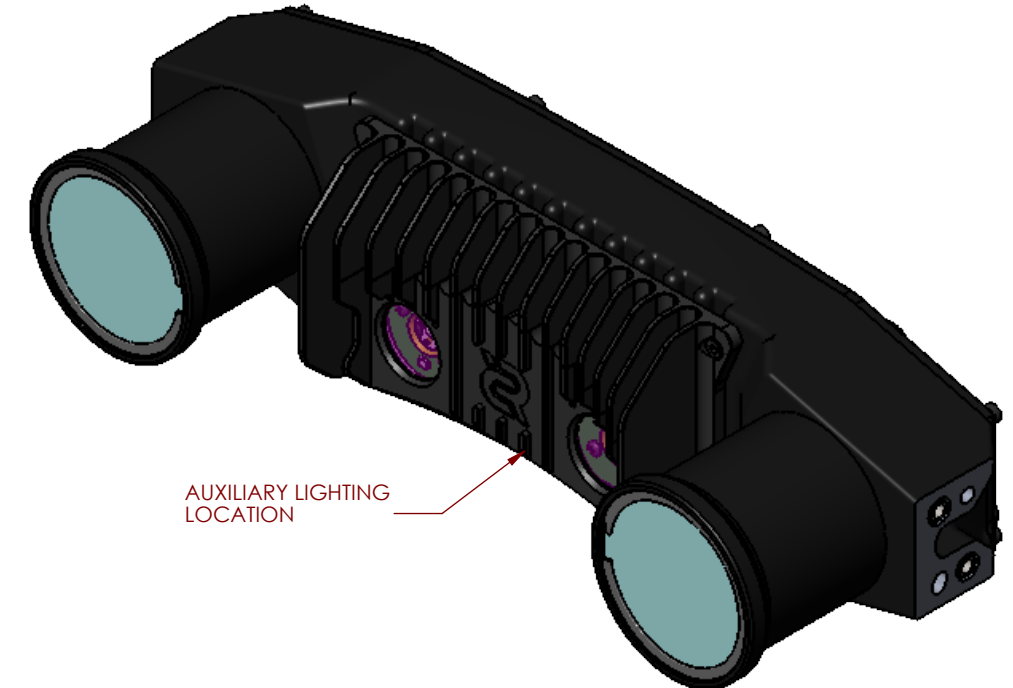
1. OTHER COATINGS AND COLORS AVAILABLE.



S21B-1-2M-N-048-1-P SHOWN



S21B-1-2M-N-080-1-R SHOWN



<p>Carnegie Robotics 4501 HATFIELD STREET PITTSBURGH, PA 15201 412-251-0321 CARNIEGIEROBOTICS.COM CAGE CODE: 4QND3</p> <p>THE INFORMATION CONTAINED IN THIS DRAWING IS THE SOLE PROPERTY OF CARNEGIE ROBOTICS LLC. ANY REPRODUCTION IN PART OR AS A WHOLE WITHOUT THE WRITTEN PERMISSION OF CARNEGIE ROBOTICS LLC IS PROHIBITED.</p>	ENGR	DATE	MULTISENSE S21B		
	DRAWN	2017-01-23			
	CHECKED	2017-11-30			
	ENGR	2016-11-10			
	APPROVED	2017-11-30			
UNLESS OTHERWISE SPECIFIED DIMENSIONS ARE IN MILLIMETERS TOLERANCES: ANGULAR ± 0.5° SURFACE FINISH: 1.6 X ± 1.3 X.X ± 0.5 X.XX ± 0.13			SIZE	PART NUMBER	REV
			B	S21B	B
MATERIAL: N/A			FINISH: SEE NOTE		DO NOT SCALE SHEET 2 OF 2