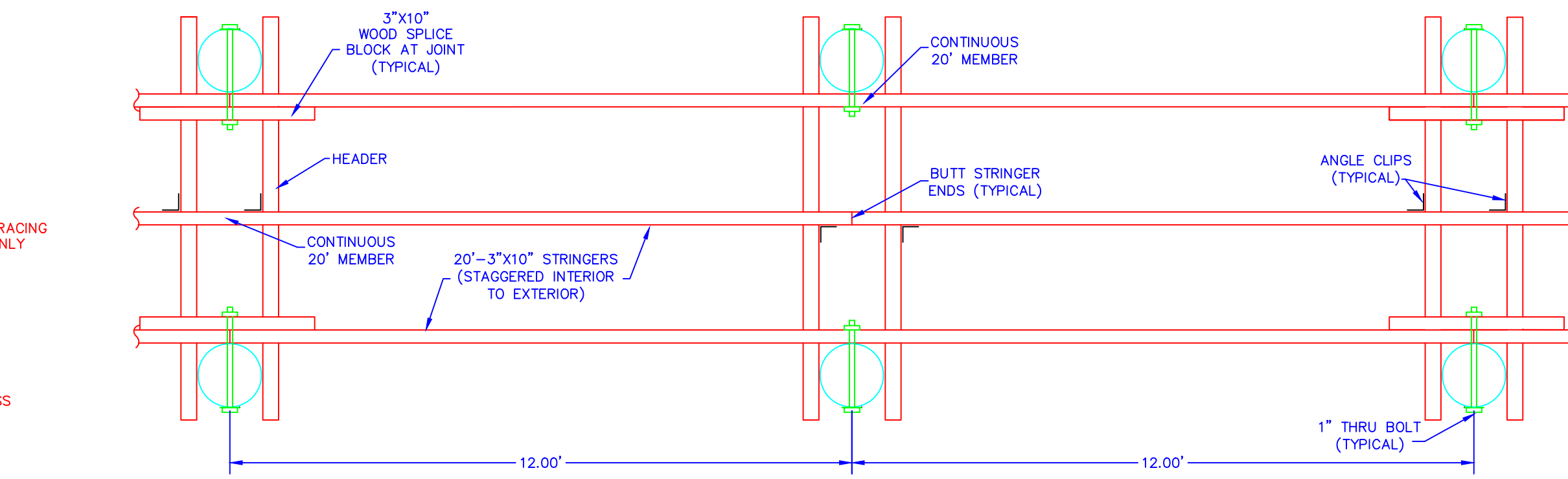


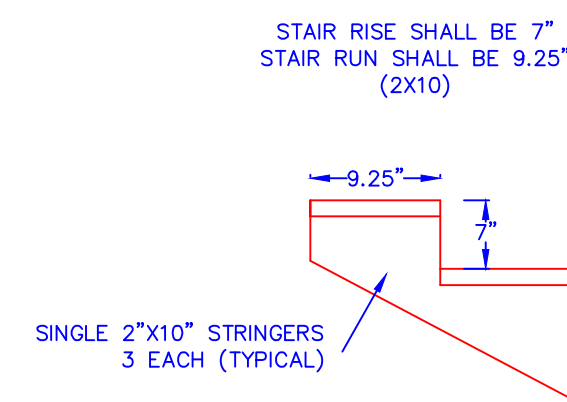
**TYPICAL CROSS SECTION**  
NOT TO SCALE

NOTES:  
DO NOT CUT CROSS BRACING BELOW WATERLINE SEE SPECIFICATIONS  
BOLTS SHALL BE LOCATED 2" FROM EDGE AND MIN. 4" FROM END OF 3X10 MEMBERS AND 4" FROM EDGE OF PILE  
ALL BOLT SHALL HAVE 2" WASHERS

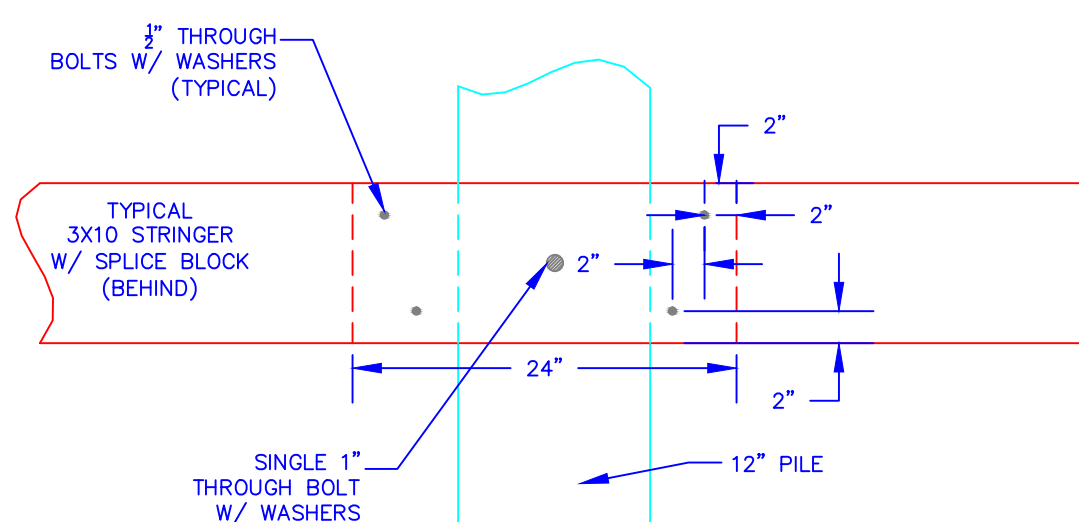
NOTES:  
EXTERIOR STRINGERS SHALL BE FASTENED TO PILES WITH SPLICE BLOCKS (SEE DETAIL) AT ALL BUTT SPLICE LOCATIONS.  
INTERIOR STRINGERS SHALL BE FASTENED TO HEADERS WITH STEEL ANGLE CLIPS (SEE DETAIL) ONE AT EACH HEADER LOCATION.



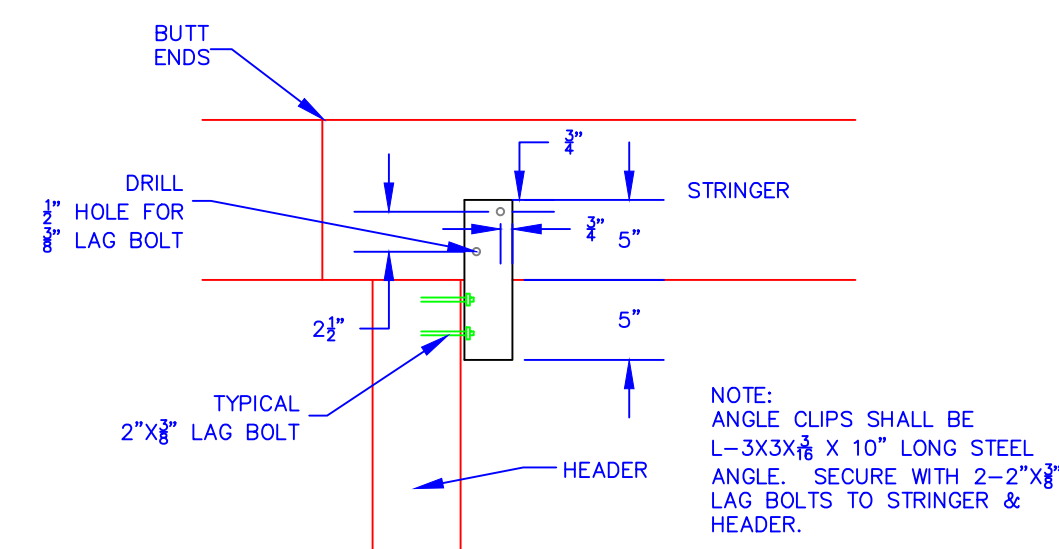
**TYPICAL STRINGER LAYOUT**  
NOT TO SCALE



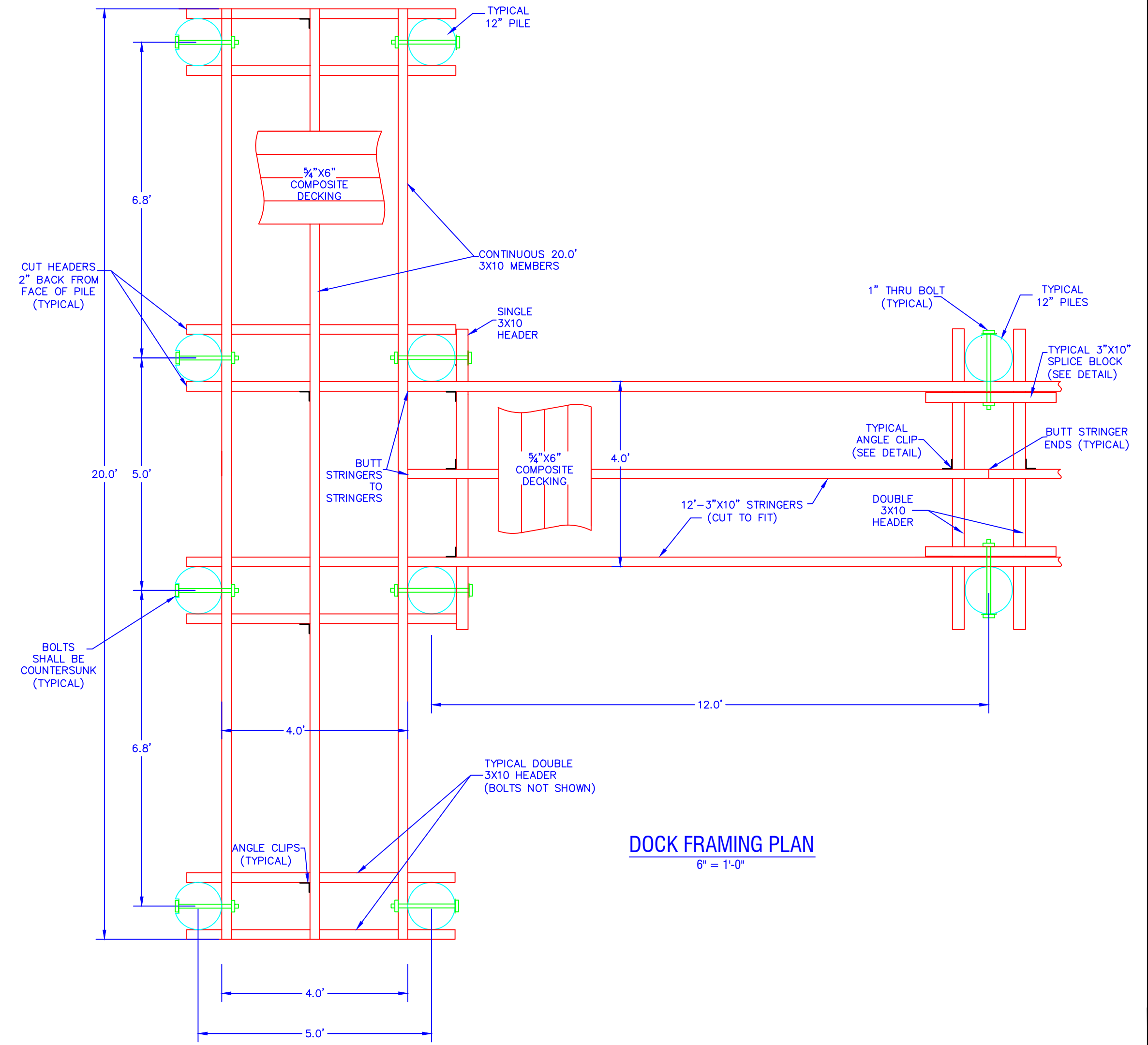
**STAIR DETAIL**  
NOT TO SCALE



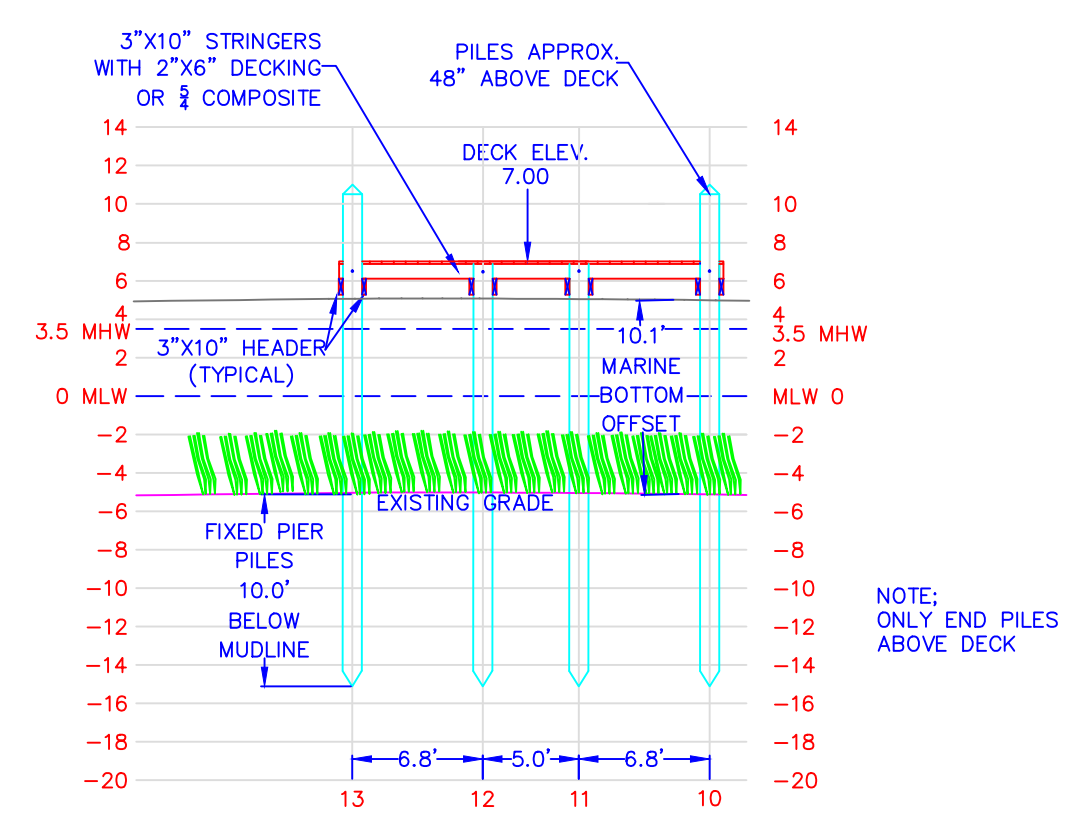
**SPLICE BLOCK DETAIL**  
NOT TO SCALE



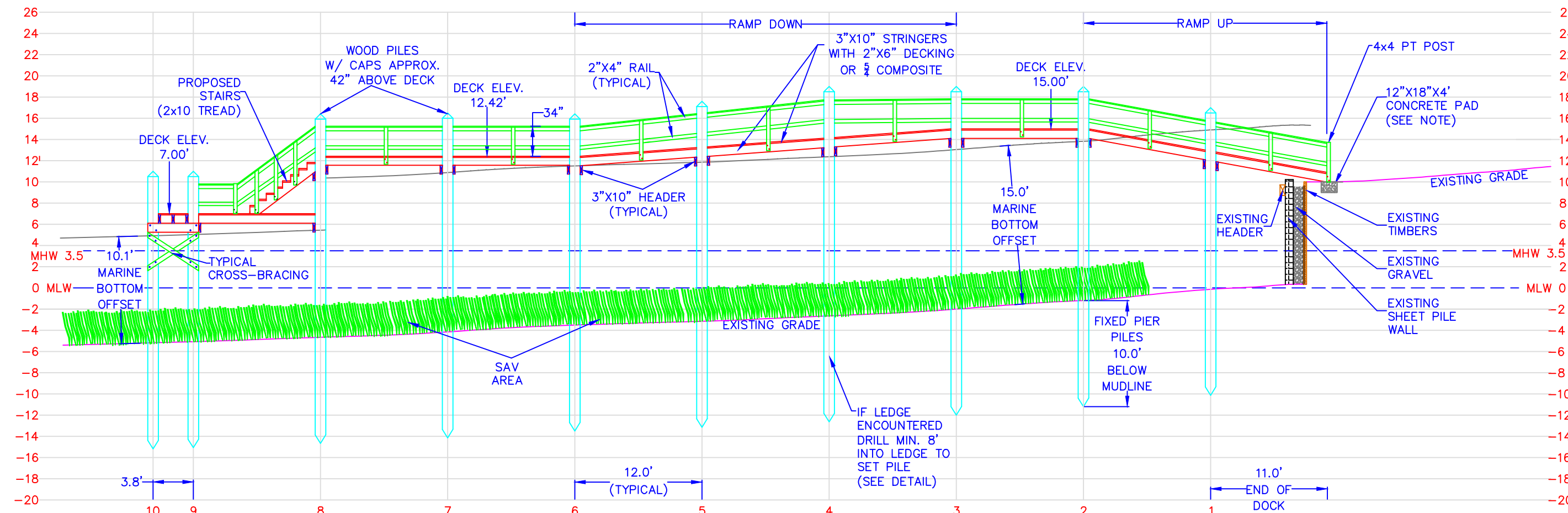
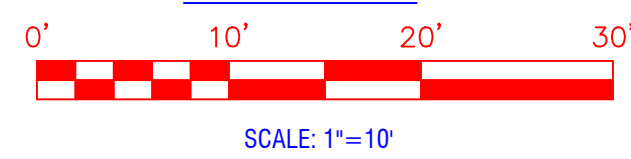
**STRINGER HEADER CONNECTION DETAIL**  
NOT TO SCALE



**DOCK FRAMING PLAN**  
6" = 1'-0"

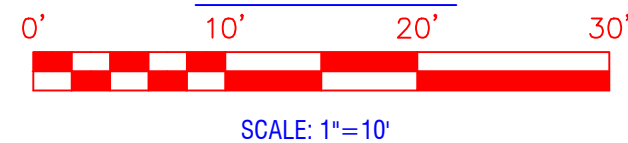


**END PROFILE**

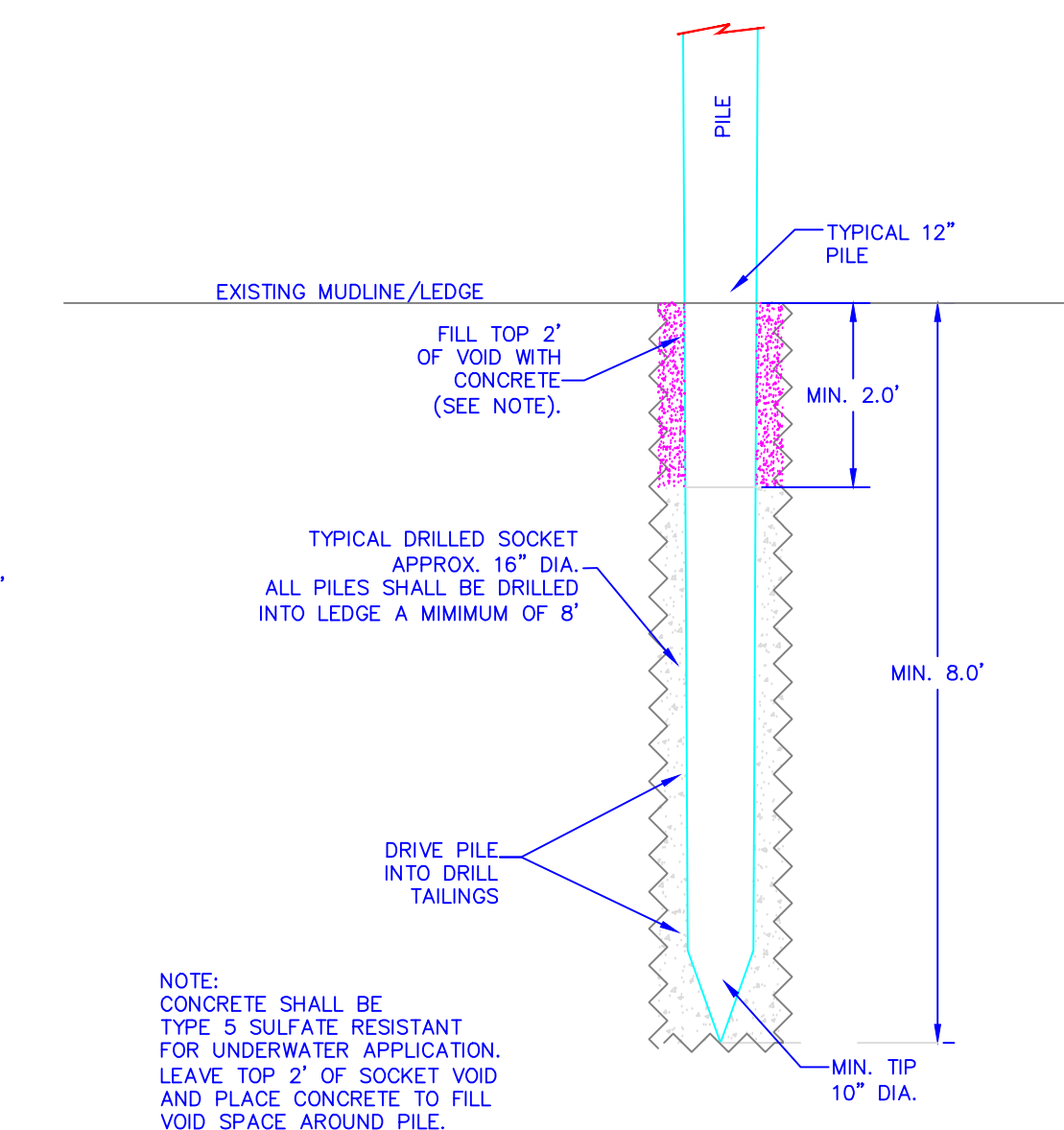


NOTE:  
ALL PILES SHALL BE DRIVEN 10' BELOW MUDLINE.

**DOCK PROFILE**

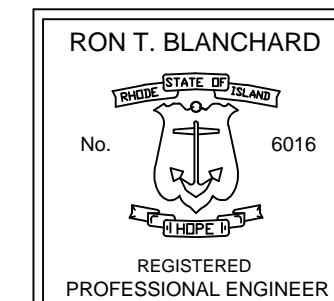


DOCK HEIGHT NOTES:  
-LONGITUDINAL SECTION IS AT 83' FROM NORTH, HENCE LONG SECTION IS DESIGNED AT A HEIGHT OF 15' ABOVE MARINE BOTTOM. (80'=14.7' REQUIRED & 90'=15.4' REQUIRED)  
-CROSS SECTION IS AT 7% FROM NORTH, HENCE SHORT SECTION IS DESIGNED AT A HEIGHT OF 10.1' ABOVE MARINE BOTTOM. (10'=10.1' REQUIRED)  
DUE TO HEIGHT OF DOCK WOOD RAILS ARE REQUIRED. (ROPE NOT ALLOWED)



**PILE DRILLED INTO LEDGE**  
NOT TO SCALE

NOTE:  
CONCRETE SHALL BE TYPE 5 SULFATE RESISTANT FOR UNDERWATER APPLICATION. LEAVE TOP 2" OF SOCKET VOID AND PLACE CONCRETE TO FILL VOID SPACE AROUND PILE.



OWNER/SITE ADDRESS:  
EDWARD REYNOLDS  
88 WASHINGTON ST.  
NEWPORT, RI 02840

NO.	REVISIONS	DATE	DESCRIPTION
001	NO REVISIONS, RESUBMISSION ONLY	8/9/17	
002	REVISIONS PER GRIC COMMENTS	2/14/18	
003	REVISIONS PER GRIC COMMENTS	4/9/18	

DCSN:	RB
DR:	VS
CHK:	RB
DATE:	2/2/17

**SEI**  
**SITE ENGINEERING INC.**  
CIVIL • COASTAL • STRUCTURAL  
75 WOOD STREET  
BRISTOL, RI 02809  
PHONE: (401) 253-8231

**DOCK PROFILE & DETAILS**  
**RESIDENTIAL BOATING FACILITY**  
**PLAT 12, LOT 46**

**DK-2**  
SCALE: AS NOTED  
(SHEET 2 OF 2)

RHODE ISLAND  
NEWPORT,