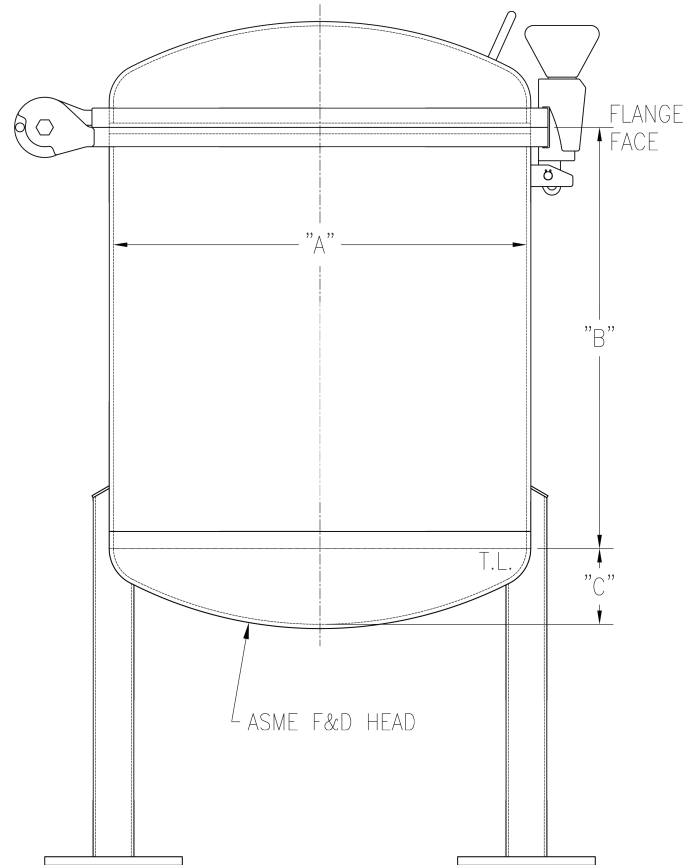


Dimensions & Volumes

Recommended Dimensions for Horizontal or Vertical Vessels (Removable Top Head Construction).
(Volume in Liters)



VOLUMES BASED ON APPROXIMATELY A 1:1 ASPECT RATIO				
NOMINAL VOLUME (LITERS)	CAPACITY (LITERS)	"A" (INCHES)	"B" (INCHES)	"C" (INCHES)
10	14	10	10	1-13/16"
20	25	12	12	2-1/16"
30	40	14	14	2-11/16"
50	59	16	16	2-15/16"
100	119	20	21	3-1/2"
200	228	24	28	4-3/8"
300	344	28	31	4-15/16"
400	466	32	32	5-7/16"
500	566	34	34	6-5/16"
600	687	36	37	6-5/8"
800	916	40	40	7-1/8"
1,000	1,126	42	45	7-3/8"
1,500	1,691	48	52	8-3/16"



Note: The capacity (In Liters) volume level is figured at the "Flange Face".

Note: The capacity (In Liters) is a reference and is accurate to about +/- 0.5%.

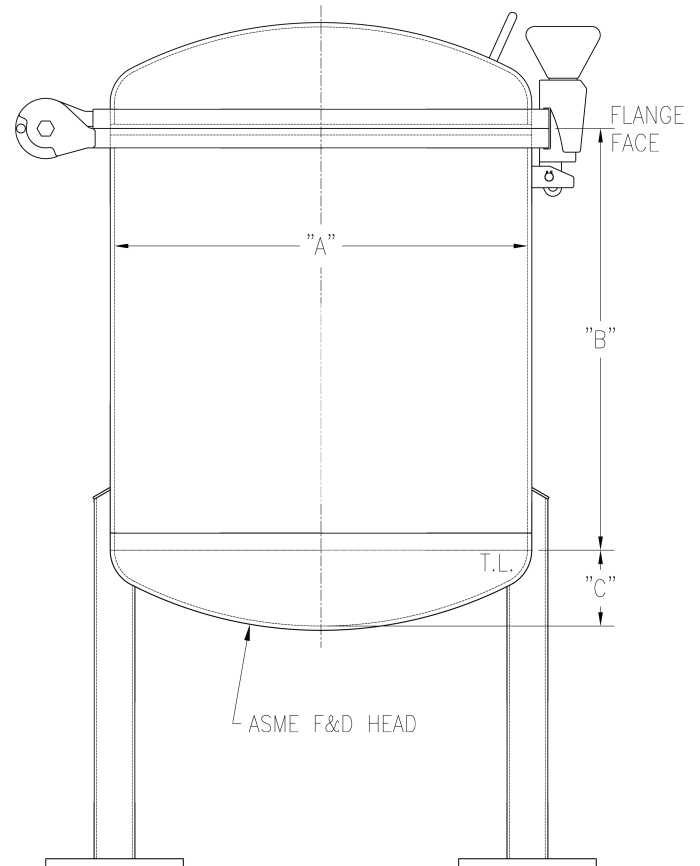
Note: The H-Series Manway has a maximum diameter of 48".



Dimensions & Volumes

Recommended Dimensions for Horizontal or Vertical Vessels (Removable Top Head Construction).
(Volume in Gallons)

VOLUMES BASED ON APPROXIMATELY A 1:1 ASPECT RATIO				
NOMINAL VOLUME (GALLONS)	CAPACITY (GALLONS)	"A" (INCHES)	"B" (INCHES)	"C" (INCHES)
5	6	12	12	2-1/16"
10	12	14	16	2-11/16"
25	30	20	20	3-1/2"
50	56	24	26	4-3/8"
100	123	32	32	5-7/16"
150	177	36	36	6-5/8"
200	227	38	42	6-7/8"
250	285	42	43	7-3/8"
300	341	44	47	7-11/16"



Note: The capacity (In Gallons) volume level is figured at the "Flange Face".

Note: The capacity (In Gallons) is a reference and is accurate to about +/- 0.5%.

Note: The H-Series Manway has a maximum diameter of 48".