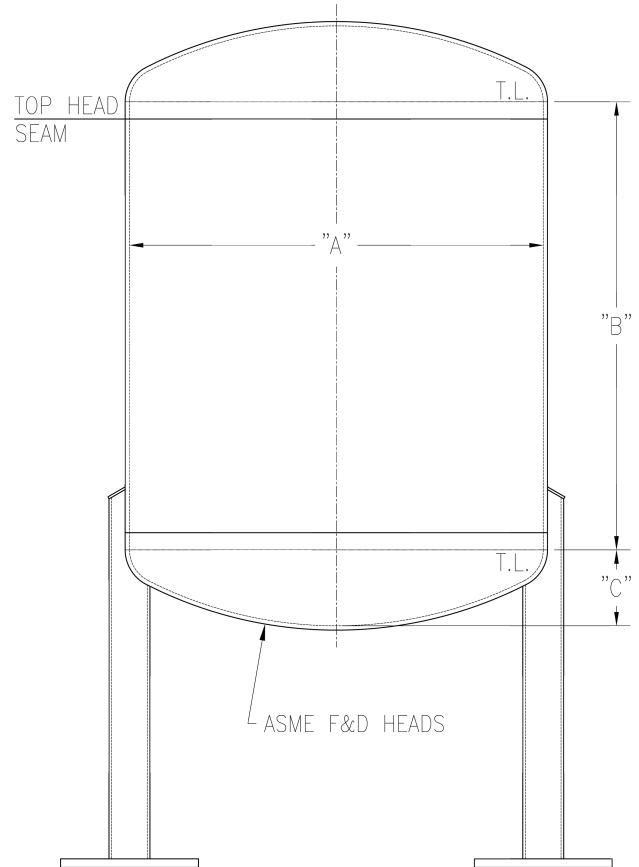


Dimensions & Volumes

Recommended Dimensions for Horizontal or Vertical Vessels (Welded Top Head Construction).
(Volume in Liters)



VOLUMES BASED ON APPROXIMATELY A 1:1 ASPECT RATIO				
NOMINAL VOLUME (LITERS)	CAPACITY (LITERS)	"A" (INCHES)	"B" (INCHES)	"C" (INCHES)
10	13	10	10	1-13/16"
20	23	12	12	2-1/16"
30	37	14	14	2-11/16"
50	56	16	16	2-15/16"
100	114	20	21	3-1/2"
200	221	24	28	4-3/8"
300	334	28	31	4-15/16"
400	453	32	32	5-7/16"
500	551	34	34	6-5/16"
600	670	36	37	6-5/8"
800	895	40	40	7-1/8"
1,000	1,103	42	45	7-3/8"
1,500	1,661	48	52	8-3/16"
2,000	2,214	54	54	9-5/8"
2,500	2,783	58	59	10-1/8"
3,000	3,342	62	62	10-11/16"
4,000	4,436	68	68	12-1/16"
5,000	5,705	74	74	12-7/8"
6,000	6,674	78	78	13-3/8"
8,000	8,981	86	86	15-1/16"
10,000	11,085	92	93	15-7/8"



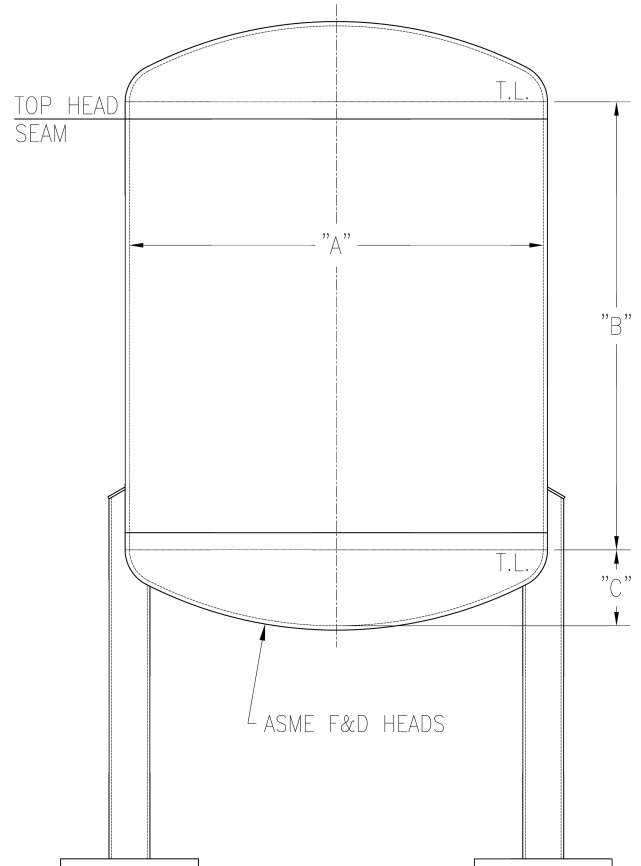
Note: The capacity (In Liters) volume level is figured at the "Top Head Seam".

Note: The capacity (In Liters) is a reference and is accurate to about +/- 0.5%.

Dimensions & Volumes

Recommended Dimensions for Horizontal or Vertical Vessels (Welded Top Head Construction).
(Volume in Gallons)

VOLUMES BASED ON APPROXIMATELY A 1:1 ASPECT RATIO				
NOMINAL VOLUME (GALLONS)	CAPACITY (GALLONS)	"A" (INCHES)	"B" (INCHES)	"C" (INCHES)
5	6	12	12	2-1/16"
10	11	14	16	2-11/16"
25	29	20	20	3-1/2"
50	54	24	26	4-3/8"
100	120	32	32	5-7/16"
150	173	36	36	6-5/8"
200	223	38	42	6-7/8"
250	280	42	43	7-3/8"
300	334	44	47	7-11/16"
500	550	52	55	9-5/16"
750	825	60	62	10-3/8"
1,000	1,108	66	69	11-3/16"
1,250	1,389	72	72	12-5/8"
1,500	1,651	76	77	13-1/8"
1,750	1,923	80	81	13-11/16"
2,000	2,212	84	84	14-13/16"
2,250	2,540	88	88	15-5/16"
2,500	2,771	90	92	15-5/8"
2,750	3,091	94	94	15-7/8"
3,000	3,354	96	98	16-1/8"



Note: The capacity (In Gallons) volume level is figured at the "Top Head Seam".

Note: The capacity (In Gallons) is a reference and is accurate to about +/- 0.5%.