

# The FastMount™

Introducing the only ASME Code certified mounting flange with a low profile split ring retainer system.



## The Problem

Traditional “Connect” style process connections are perfect for reducing deadleg; however a vast majority of these connections are “Bolted,” causing gauling issues, stripped threads, and lost parts.

## The Solution

Comprised of (2) split rings and a clamp, the FastMount eliminates virtually every common issue with the “Connect” style process connection. The advantage of using the FastMount is that it reduces your operator’s installation time. The FastMount is 3 to 5 times faster to install your process connections and instruments than traditional “Connects.”



## Advantages

- The FastMount sanitary mounting flange allows you to change out instruments, probes, piping, etc. quickly through the use of a clamp type design and revolutionary FastMount (Low Profile) Split-Ring Retainer.
- The proprietary FastMount (Low Profile) Split-Ring Retainer is thin and strong allowing close coupled connections for all your probing or sampling needs.
- The FastMount is 100% compatible with the NovAseptic NovaSeptum® Sampling System.
- The FastMount is stocked in a standard 1-3/8” thickness, but can be special ordered to any thickness or angle. The FastMount can be CNC “coped” to any radius your installation requires based upon your tank shell requirements.



Holloway America  
720 N. Cedarbrook  
Springfield, MO 65802

Phone: 417.863.0077  
Toll Free: 866.659.0077  
Fax: 417.863.8851

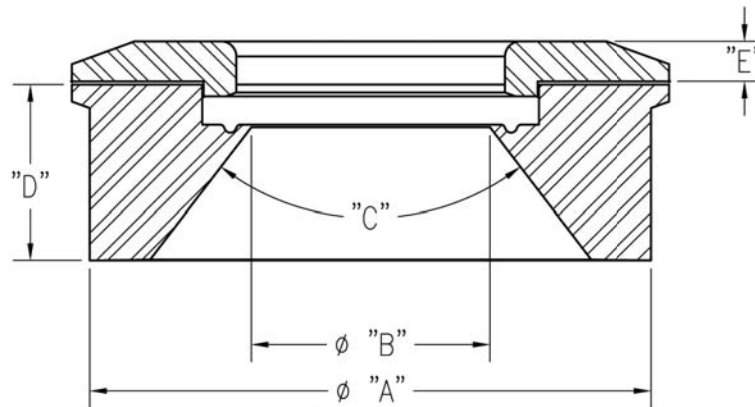
www.hollowayamerica.com  
info@hollowayamerica.com  
Datasheet: FASTMOUNT\_140925

# The FastMount™



## FastMount Specifications

|                           |  |
|---------------------------|--|
| <b>Material Types</b>     | 316L (Stocked), 304L, AL6XN, C-22  |
| <b>Surface Finishes</b>   | 35 Ra I.D. / 35 Ra O.D.<br>Finishes to 10 Ra (Electropolished) are available |
| <b>Sizes</b>              | 1/2" - 6" (Stocked in 1/2" - 4")   |
| <b>Thickness</b>          | 1-3/8" (additional heights and angles are available)                         |
| <b>Connection Type</b>    | Welded Mounting Flange with Low Profile Split Rings                          |
| <b>Design Pressure</b>    | -15 psig to 100 psig.  |
| <b>Design Temperature</b> | -20° to 400° F   |



## FastMount Dimensions & Information

| Description                     | "A"<br>Dimension | "B"<br>Dimension | "C"<br>Dimension | "D"<br>Dimension | "E"<br>Dimension | Clamp<br>Size |
|---------------------------------|------------------|------------------|------------------|------------------|------------------|---------------|
| FastMount Assembly: 1/2" Size   | 2.192"           | 0.370"           | 60°              | 1.375"           | 0.250"           | 2"            |
| FastMount Assembly: 3/4" Size   | 2.192"           | 0.620"           | 60°              | 1.375"           | 0.250"           | 2"            |
| FastMount Assembly: 1" Size     | 3.300"           | 0.870"           | 60°              | 1.375"           | 0.313"           | 3"            |
| FastMount Assembly: 1-1/2" Size | 3.300"           | 1.370"           | 60°              | 1.375"           | 0.313"           | 3"            |
| FastMount Assembly: 2" Size     | 4.230"           | 1.870"           | 60°              | 1.375"           | 0.313"           | 4"            |
| FastMount Assembly: 2-1/2" Size | 5.161"           | 2.370"           | 60°              | 1.625"           | 0.313"           | 5"            |
| FastMount Assembly: 3" Size     | 5.161"           | 2.870"           | 60°              | 1.625"           | 0.313"           | 5"            |
| FastMount Assembly: 4" Size     | 6.000"           | 3.832"           | 60°              | 1.625"           | 0.375"           | 6"            |
| FastMount Assembly: 6" Size     | 8.000"           | 5.782"           | 60°              | 1.750"           | 0.500"           | 8"            |

\* Each FastMount Assembly is supplied with a mounting flange, retainers, and 13MHHM clamp.



**Holloway America**  
720 N. Cedarbrook  
Springfield, MO 65802

Phone: 417.863.0077  
Toll Free: 866.659.0077  
Fax: 417.863.8851

www.hollowayamerica.com  
info@hollowayamerica.com  
Datasheet: FASTMOUNT\_140925