

The H-Connect™



Introducing the only ASME Code Certified Mounting Flange with a Low Profile Split Ring Retainer System.

The Problem

Traditional "Connect" style process connections are perfect for reducing deadleg, however a vast majority of these connections have high profile retaining rings causing clearance issues with close coupled process connections and instruments.

The Solution

Is the H-Connect, comprised of (2) split rings and mounting hardware, The H-Connect provides the lowest profile "Connect" style fitting in the industry.



Advantages

- The H-Connect sanitary mounting flange allows you to change out instruments, probes, piping, etc. quickly through the use of a bolted design and revolutionary H-Connect (Low Profile) Split-Ring Retainer.
- The proprietary H-Connect (Low Profile) Split-Ring Retainer is thin and strong allowing close coupled connections for all your probing or sampling needs.
- The H-Connect is 100% compatible with the NovAseptic NovaSeptum® Sampling System.
- The H-Connect is stocked in a standard 1" thickness, but can be special ordered to any thickness, or angle. The H-Connect can be CNC "coped" to any radius your installation requires based upon your tank shell requirements.



Holloway America
720 N. Cedarbrook
Springfield, MO 65802

Phone: 417.863.0077
Toll Free: 866.659.0077
Fax: 417.863.8851

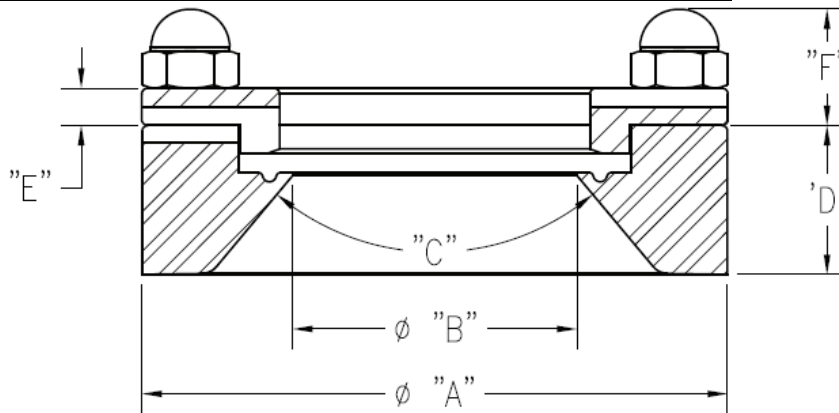
www.hollowayamerica.com
info@hollowayamerica.com
Datasheet: H-Connect_150402

The H-Connect™



H-Connect Specifications

Material Types	316L (Stocked), 304L, AL6XN, C-22
Surface Finishes	35 Ra I.D. / 35 Ra O.D. Finishes to 10 Ra (Electropolished) is available.
Sizes	1/2" - 8" (Stocked in 1/2" - 6")
Thickness	1" (additional heights and angles are available).
Connection Type	Welded Mounting Flange with Low Profile Split Rings
Design Pressure	-15 psig to 150 psig.
Design Temperature	-20° to 400° F.



H-Connect Dimensions & Information

Description	"A" Dimension	"B" Dimension	"C" Dimension	"D" Dimension	"E" Dimension	"F" Dimension
H-Connect Assembly: 1/2" Size	2.165"	0.370"	80°	1.000"	0.250"	0.780"
H-Connect Assembly: 3/4" Size	2.165"	0.620"	80°	1.000"	0.250"	0.780"
H-Connect Assembly: 1" Size	3.350"	0.870"	80°	1.000"	0.250"	0.780"
H-Connect Assembly: 1-1/2" Size	3.350"	1.370"	80°	1.000"	0.250"	0.780"
H-Connect Assembly: 2" Size	3.941"	1.870"	80°	1.000"	0.250"	0.780"
H-Connect Assembly: 2-1/2" Size	4.409"	2.370"	80°	1.000"	0.250"	0.780"
H-Connect Assembly: 3" Size	5.161"	2.870"	80°	1.000"	0.250"	0.780"
H-Connect Assembly: 4" Size	6.693"	3.832"	80°	1.000"	0.250"	0.780"
H-Connect Assembly: 6" Size	8.875"	5.782"	80°	1.500"	0.500"	1.030"
H-Connect Assembly: 8" Size	12.169"	7.782"	80°	1.500"	0.500"	1.030"

* H-Connect Sizes: 1/2" thru 2-1/2" have (4) studs, 3" and 4" have (6) studs, 6" and 8" have (8) studs.



Holloway America
720 N. Cedarbrook
Springfield, MO 65802

Phone: 417.863.0077
Toll Free: 866.659.0077
Fax: 417.863.8851

www.hollowayamerica.com
info@hollowayamerica.com
Datasheet: H-Connect_150402