

# keyscaper<sup>®</sup>

## Wireless Car Charger



Product Manual

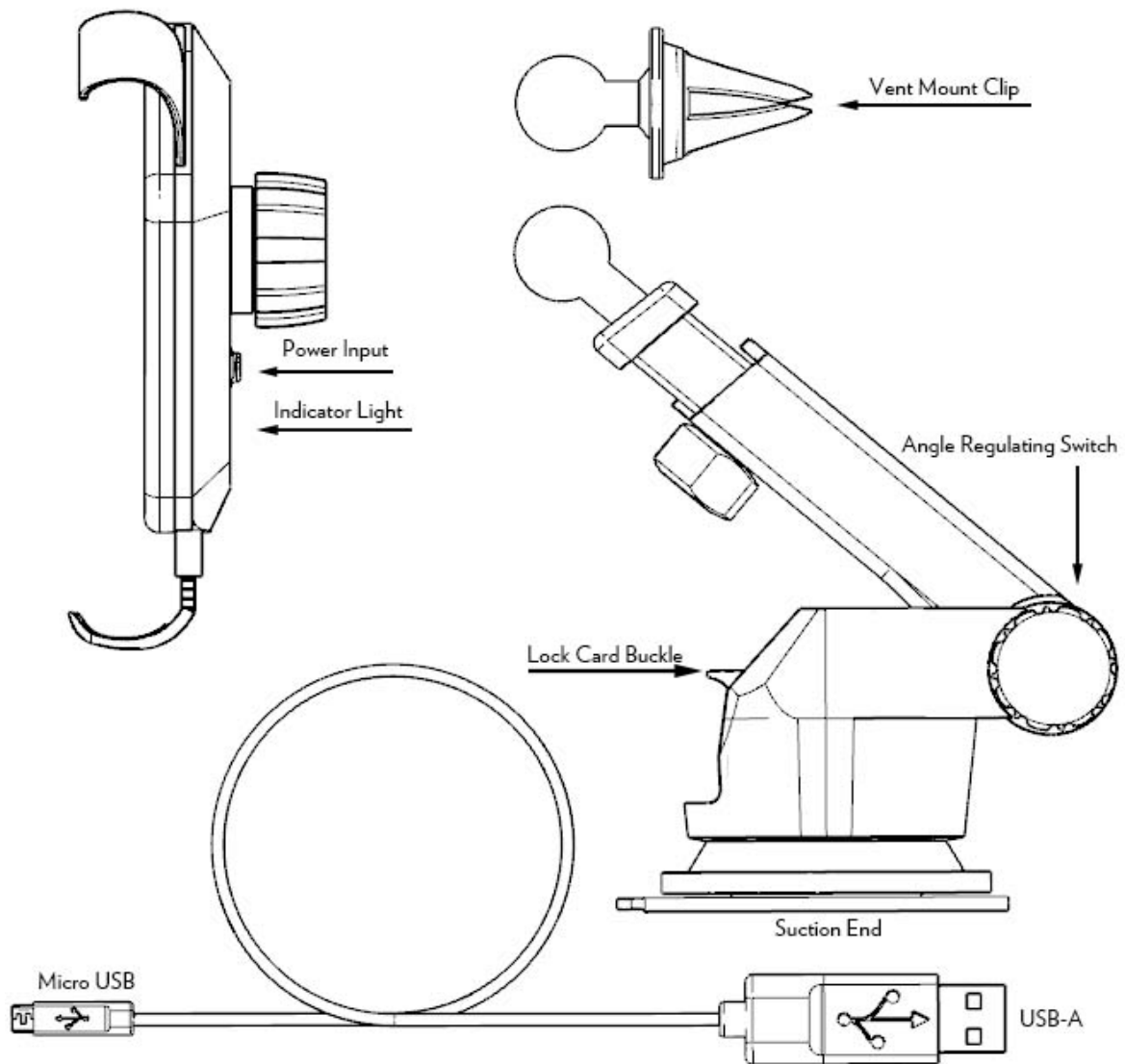
**For more information or customer support, please visit:  
[keyscaper.com/pages/product-manuals](https://keyscaper.com/pages/product-manuals)**

**Version 1.0**

# QUICK START

---

To use the wireless car charger, first wash and air dry the suction cup, then attach it to your dashboard or windshield, or insert the mount into the vent blade. Connect the Micro USB end to the wireless car charger and the USB-A end to a car adapter; once the light indicator turns on, place your device on the charger and adjust as needed.



# HOW TO USE

---

## Installation

**Suction Mount:** Wash the suction cup with water. Let it air dry. Place on dashboard or windshield. Place lock button. Adjust as needed using the extended arm switch, rotation nut, and angle adjuster.

**Vent Mounting Clip:** Insert the mount into the vent blade. Tighten the rotation nut. Place phone on charger. Adjust angle as needed.

## Setting Up

- After selecting the method of installation and setting up, using the provided cable, connect the Micro USB end to the Wireless Car Charger and connect the large USB end to a car charger adapter. After the Wireless Car Charger is plugged in, the light indicator will turn on. Place your device on the wireless charger. Please note that for the first use, you need to adjust the base brackets to fit your phone's size, ensuring the phone's receiving area aligns with the charger's charging area.
- Red Light: Standby mode / Blue Light: Charging device

## PRODUCT FEATURES

---

- Includes USB Micro charging cord, Vent Mounting Clip, Telescoping Suction-Mount, and Adaptive Charging Cradle.
- Supports 5V standard charge and 9V quick charge when plugged into a compatible 9V USB port.
- Self-adjusting tension arms gently but firmly hold your device in place while allowing easy access to your phone.
- Ball-and-socket mounts allow for precise adjustment of position.
- Supports Qi-enabled devices.

# PRODUCT SPECIFICATIONS

---

- Name: Wireless Car Charger
- Color: Black
- Input: 5.0V/2.0A ; 9.0V/1.8A
- Frequency: 110 - 20KHz
- Receiving Distance: 2-10mm
- Size: 110 \* 118 \* 150 mm
- NW: 160g

# PRECAUTIONS

---

- Do not immerse the device in water to prevent the risk of a short circuit in the internal circuit.
- Do not disassemble or subject the device to impacts, as this may cause damage to the internal components and compromise functionality.
- Place the device away from flammable and explosive liquids, gases, or explosives to ensure the safety of the product and its surroundings.
- Do not place magnetic cards, magnetic stripe media, or precision machinery too close to the device.

# WARRANTY

---

We focus on our product quality and our entire team is committed to providing products that satisfy our customers. That's why this product includes a one-year warranty from date of purchase. If you've got any questions, comments, or concerns about your purchase, feel free to email us at [support@keyscaper.com](mailto:support@keyscaper.com) or contact us at [keyscaper.com](http://keyscaper.com).