

keyscaper[®]

Magnetic Wireless Car Charger



Product Manual

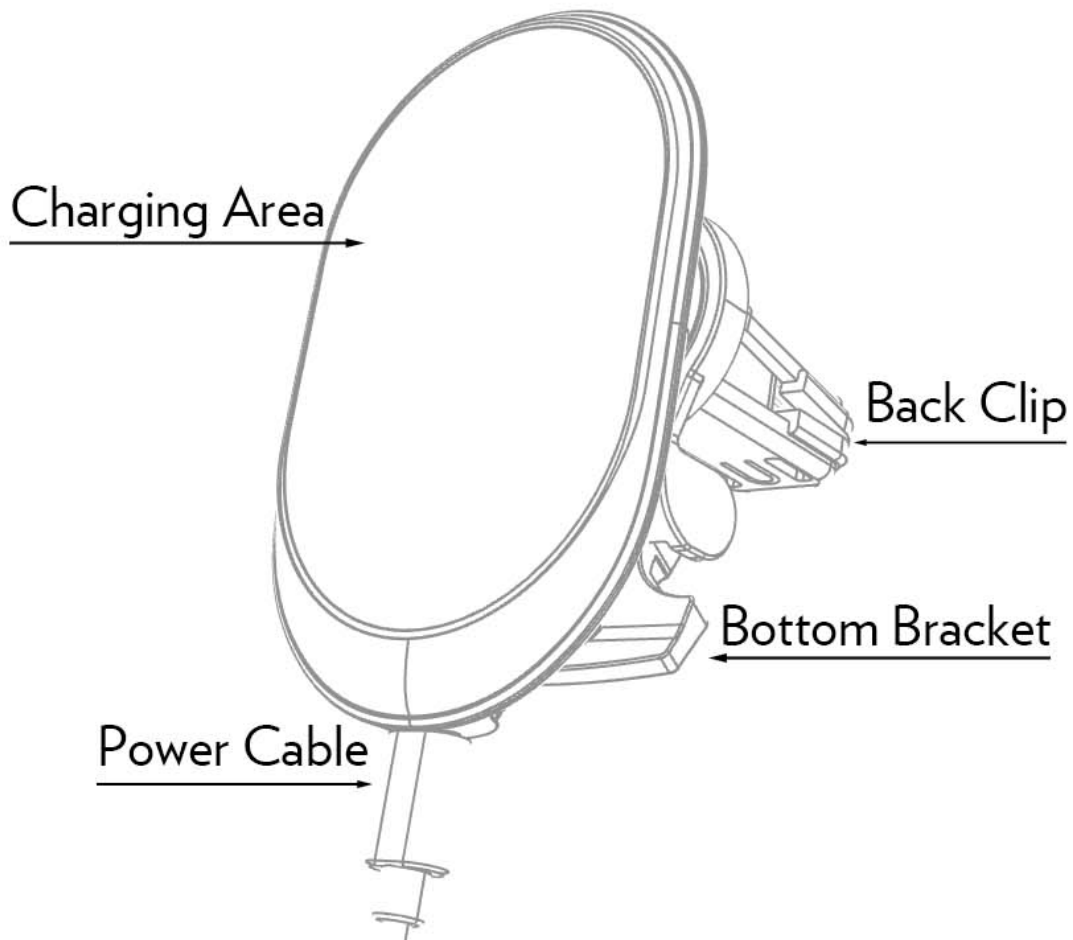
**For more information or customer support, please visit:
keyscaper.com/pages/product-manuals**

Version 1.0

QUICK START

To use the magnetic wireless car charger, attach the clip ball to the charger and ensure the bracket rotates freely. Connect the charger to the car's power adapter and secure the air outlet clip. Place your wireless charging capable device on the charger's magnetic area to start charging. Adjust as needed.

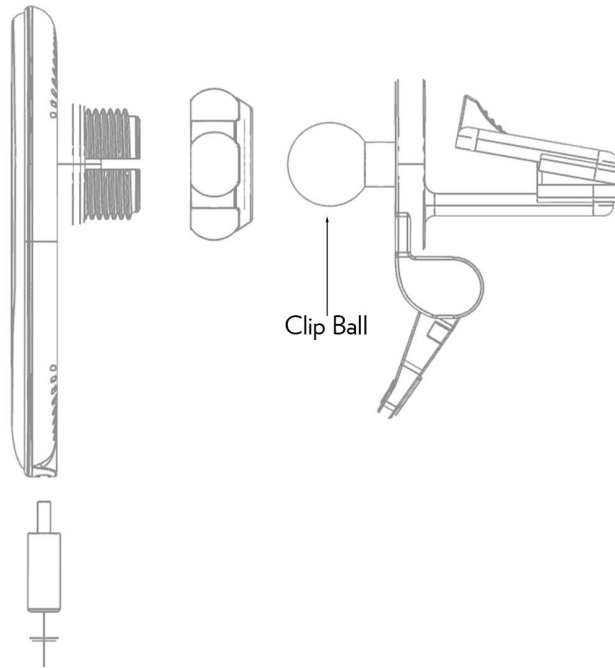
Thicker or rugged cases may reduce the strength of the hold, potentially causing the phone to not stay securely in place



HOW TO USE

Installation

1. Fix the clip ball to the charger with a screw cap and make sure the bracket can be rotated flexibly.
2. Connect the charger power cable to the power adapter in the car.
3. Attach the air outlet clip to the air vent, adjust the direction, and tighten the nut to secure it. Ensure the bottom bracket is in a position to support the charger.
4. When your magnetic wireless charging capable device is placed on the charging area of the charger, the strong magnetic attraction will hold the device firmly in an accurate charging position, and begin charging it.



PRODUCT FEATURES

- Wireless fast charging enables convenient charging while in the car.
- Powerful Magnetic Hold: Ensures your phone stays securely in place even on bumpy roads.
- 360-Degree Rotation: Allows for flexible viewing angles in both portrait and landscape orientations.
- Stable Vent Mount: Secure vent clip offers strong mounting stability.
- Works with all Qi-enabled devices.

PRODUCT SPECIFICATIONS

- Name: Magnetic Wireless Car Charger
- Color: Black
- Charging Port: Type-C
- Input: >5V-3A/9V-2A/12V-1.5A
- Wireless Output: 15W/10W/7.5W/5W
- Adapter: \geq 9V-2A, SA-3A
- Size: 96.3* 63.2*9mm
- Product List: Wireless Charger, Type-C Power Cord

PRECAUTIONS

- Do not immerse the device in water to prevent the risk of a short circuit in the internal circuit.
- Do not disassemble or subject the device to impacts, as this may cause damage to the internal components and compromise functionality.
- Place the device away from flammable and explosive liquids, gases, or explosives to ensure the safety of the product and its surroundings.
- Do not place magnetic cards, magnetic stripe media, or precision machinery too close to the device.

WARRANTY

We focus on our product quality and our entire team is committed to providing products that satisfy our customers. That's why this product includes a one-year warranty from date of purchase. If you've got any questions, comments, or concerns about your purchase, feel free to email us at support@keyscaper.com or contact us at keyscaper.com.