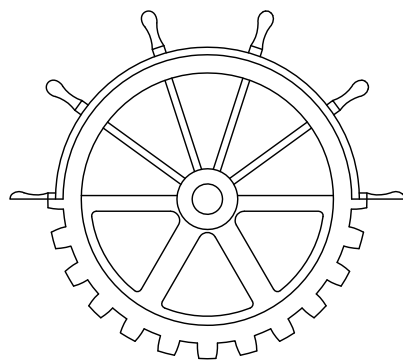




Public Works and Government Services
Canada

Ontario Region
Professional and Technical Services

Heritage Canals and Engineering Works



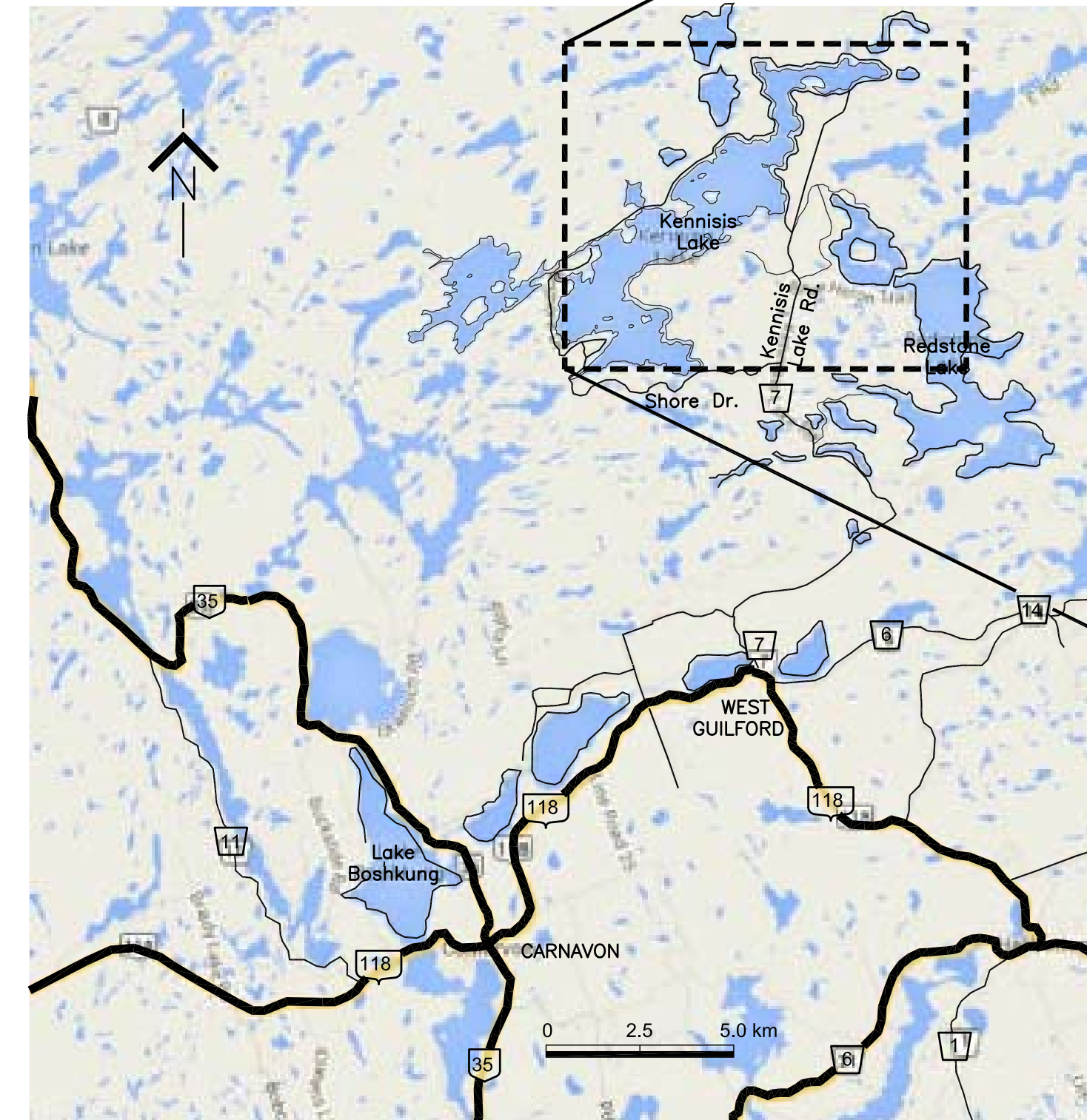
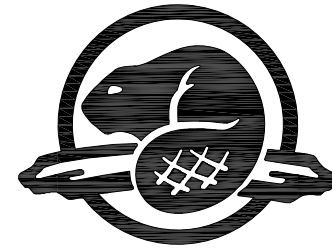
Travaux publics et Services gouvernementaux
Canada

Région de l'Ontario
Services professionnels et techniques

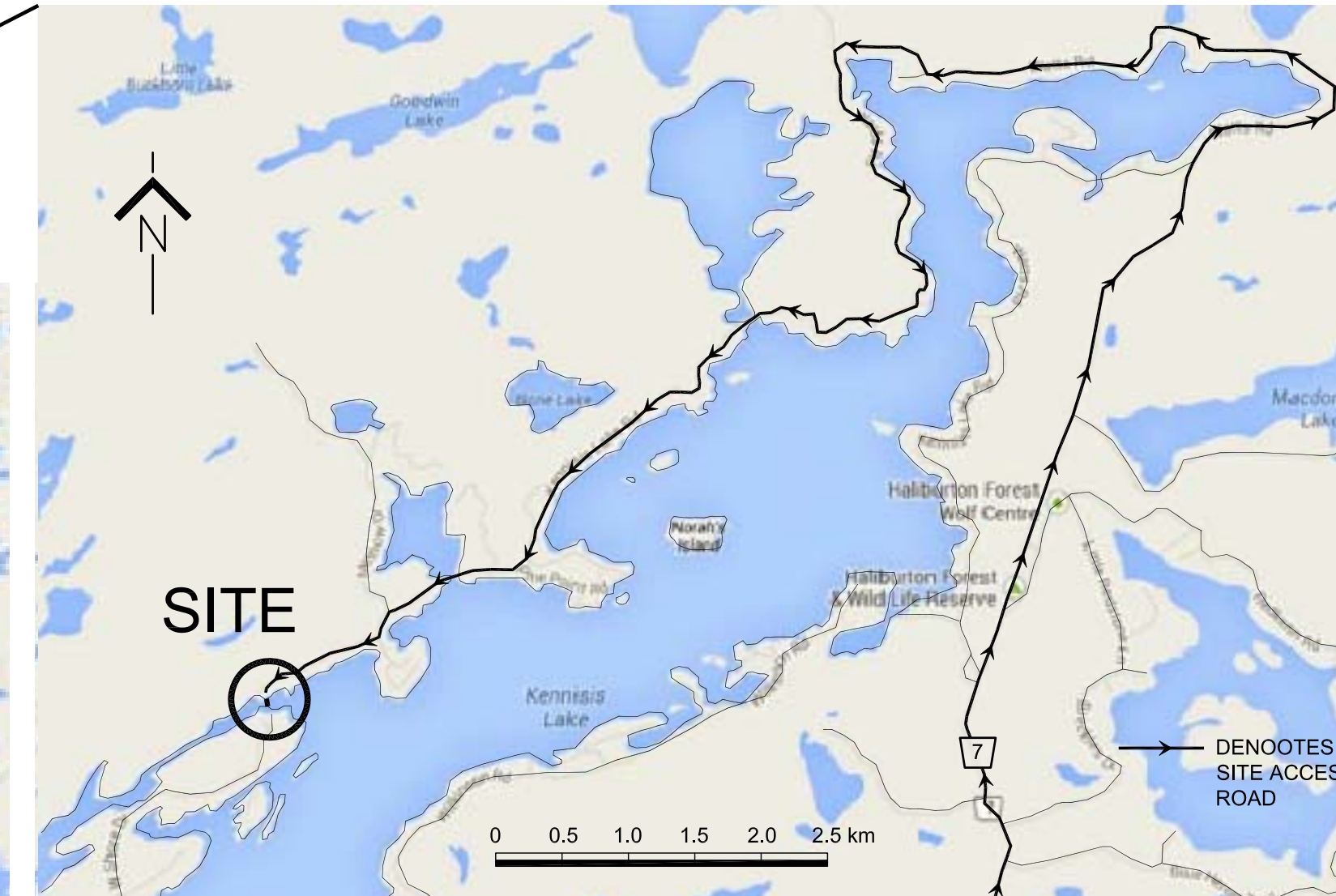
Canaux historiques et travaux d'ingénierie



Parks Canada
Parcs Canada



LOCATION PLAN



TRENT SEVERN WATERWAY KENNISIS LAKE DAM REPLACEMENT

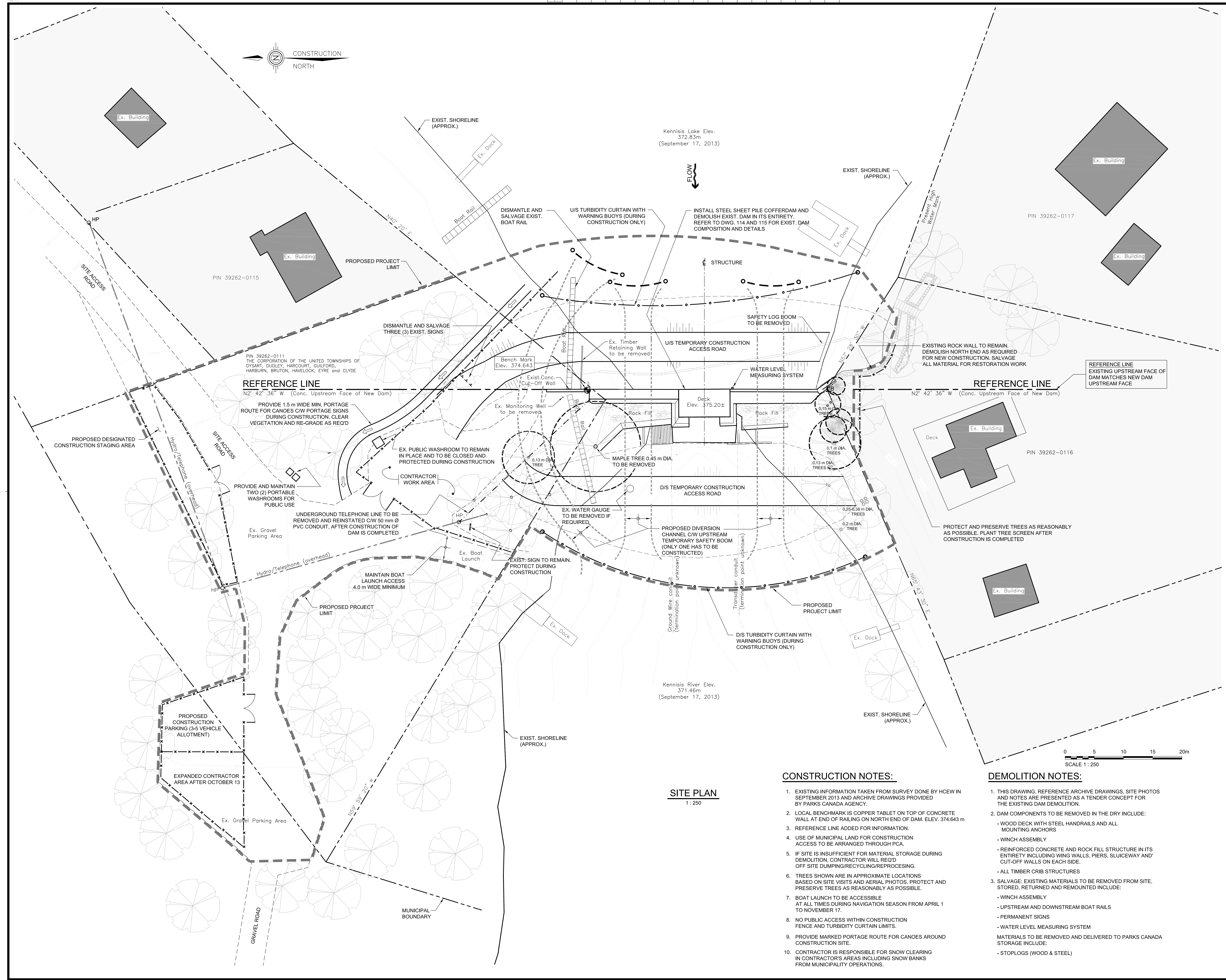
LIST OF DRAWINGS

- 100 COVER SHEET
- 101 EXISTING SITE PLAN, CONSTRUCTION STAGING, REMOVALS, DEMOLITION AND TEMPORARY WORKS
- 102 NEW SITE PLAN
- 103 GENERAL ARRANGEMENT, PLAN AND ELEVATIONS
- 104 GENERAL ARRANGEMENT, SECTIONS AND DETAILS
- 105 CONCRETE REINFORCING, FOUNDATION DETAILS
- 106 CONCRETE REINFORCING, UPPER STRUCTURE DETAILS
- 107 STEEL DECK PLAN, SECTIONS AND DETAILS
- 108 STOP LOG SERVICE GAIN COVER, PLAN AND DETAILS
- 109 STOP LOG MAIN GAIN COVER, PLAN AND DETAILS
- 110 STOP LOG GAINS DETAILS
- 111 GUARDRAIL DETAILS I
- 112 GUARDRAIL DETAILS II
- 113 CHAIN LINK FENCE DETAILS
- 114 SAFETY SIGNAGE AND BOOM ANCHORAGE DETAILS
- 115 REFERENCE DRAWINGS I
- 116 REFERENCE DRAWINGS II

Canada

PWGSC PROJECT NUMBER
R.065660.001

HCEW DRAWING REFERENCE NUMBER
COTSW 14 - R9



Public Works and Government Services Canada
Travaux publics et Services gouvernementaux Canada

Heritage Canals and Engineering Works
Ontario Region
Canaux historiques et travaux d'ingénierie
Région de l'Ontario

Canada

LEGEND:

- EXISTING TREES
- EXISTING TREES TO BE REMOVED
- HYDRO POLE
- LIMIT OF PROPOSED PROJECT
- PROPERTY BOUNDARY
- PROPOSED DIVERSION CHANNEL
- TEMPORARY CONSTRUCTION FENCE (1.8 m HIGH MINIMUM)
- TURBIDITY CURTAIN
- SLOPE OF EMBANKMENTS
- NON GEODETIC BENCH MARK ELEV. 374.643 m
- PRIVATE PROPERTY
- EXISTING BUILDING
- PROPERTY IDENTIFICATION NUMBER
- UPSTREAM
- DOWNSTREAM

No.	Description	Dwn.By / Des.Par	Date
5.	FOR TENDER	C.C.	APR 22, 2015
4.	FOR CLIENT REVIEW 99%	C.C.	DEC 12, 2014
3.	FOR CLIENT REVIEW 95%	C.C.	DEC 1, 2014
2.	FOR CLIENT USE	C.C.	OCT 17, 2014
1.	FOR CLIENT REVIEW 66%	C.C.	JULY 12, 2014

Revision / Révision

Do not scale drawings.
Verify all dimensions and conditions on site and immediately notify the Departmental Representative of all discrepancies.

A
B

A Detail number
Numéro du détail

B Location dwg. number
Numéro sur dessin

Project title / Titre du projet

KENNIS LAKE DAM REPLACEMENT

Drawing title / Titre du dessin

EXISTING SITE PLAN, CONSTRUCTION STAGING, REMOVALS, DEMOLITION AND TEMPORARY WORKS

Drawn by / Dessiné par HENRYK CHRZANOWSKI	Designed by / Conçu par CZESLAW CUDOWSKI
Approved by / Approuvé par LUC BERIAULT	Drawing Date / Date du dessin JULY 2014
Project manager / Administrateur de projet ATIF SUHAIL	
HCEW Number / Numéro de CHT COTSW 14 - R9	Drawing Number / Numéro du Dessin 101
Project Number / Numéro du projet R.065660.001	Sheet / Feuille 2 of 17

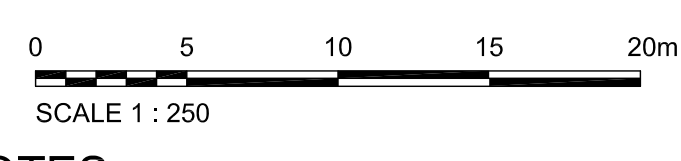
CONSTRUCTION NOTES:

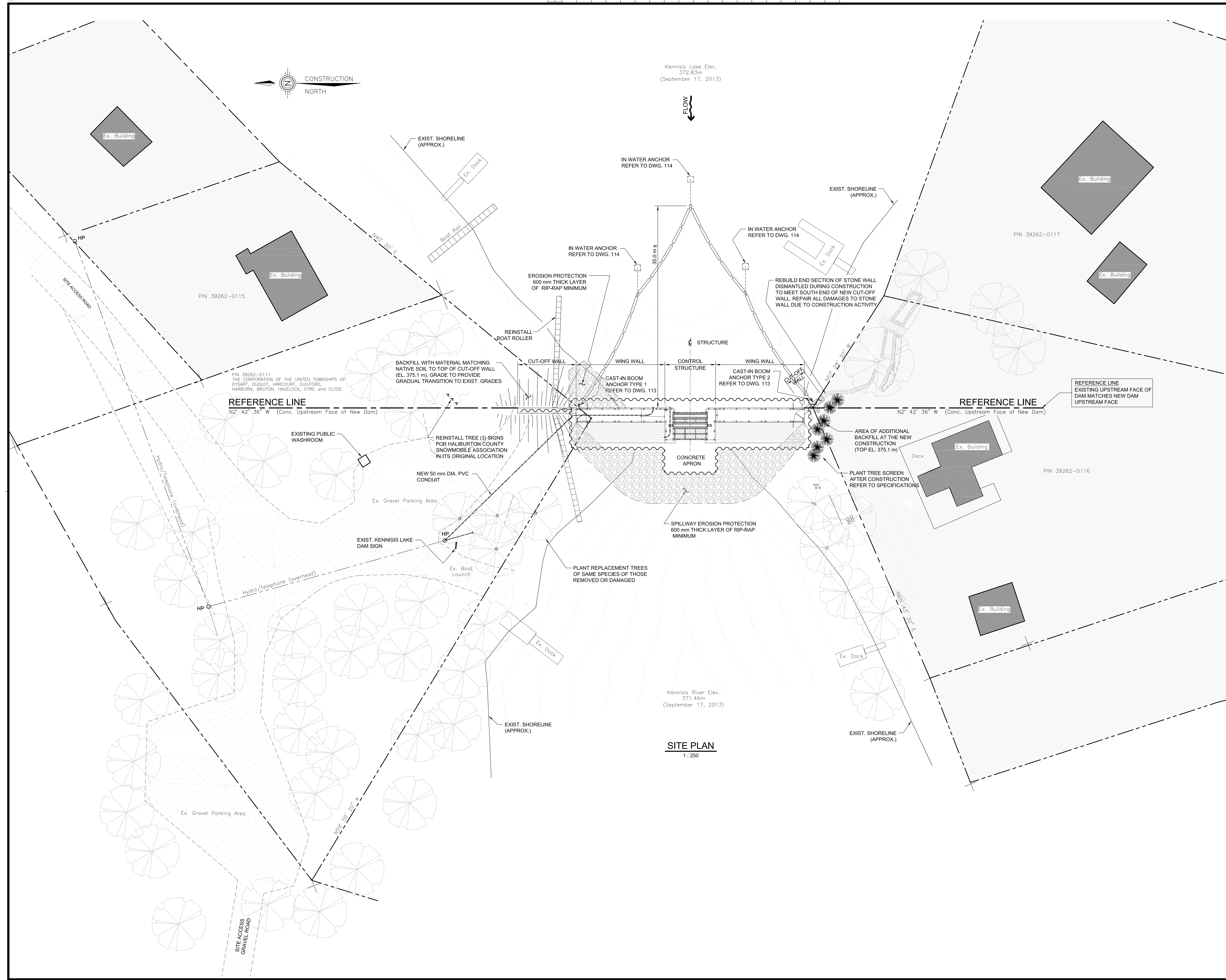
1. EXISTING INFORMATION TAKEN FROM SURVEY DONE BY HCEW IN SEPTEMBER 2013 AND ARCHIVE DRAWINGS PROVIDED BY PARKS CANADA AGENCY.
2. LOCAL BENCHMARK IS COPPER TABLE ON TOP OF CONCRETE WALL AT END OF RAILING ON NORTH END OF DAM. ELEV. 374.643 m
3. REFERENCE LINE ADDED FOR INFORMATION.
4. USE OF MUNICIPAL LAND FOR CONSTRUCTION ACCESS TO BE ARRANGED THROUGH PCA.
5. IF SITE IS INSUFFICIENT FOR MATERIAL STORAGE DURING DEMOLITION, CONTRACTOR WILL REQ'D OFF SITE DUMPING/RECYCLING/REPROCESSING.
6. TREES SHOWN ARE IN APPROXIMATE LOCATIONS BASED ON SITE VISITS AND AERIAL PHOTOS. PROTECT AND PRESERVE TREES AS REASONABLY AS POSSIBLE.
7. BOAT LAUNCH TO BE ACCESSIBLE AT ALL TIMES DURING NAVIGATION SEASON FROM APRIL 1 TO NOVEMBER 17.
8. NO PUBLIC ACCESS WITHIN CONSTRUCTION FENCE AND TURBIDITY CURTAIN LIMITS.
9. PROVIDE MARKED PORTAGE ROUTE FOR CANOES AROUND CONSTRUCTION SITE.
10. CONTRACTOR IS RESPONSIBLE FOR SNOW CLEARING IN CONTRACTOR'S AREAS INCLUDING SNOW BANKS FROM MUNICIPALITY OPERATIONS.

DEMOLITION NOTES:

1. THIS DRAWING, REFERENCE ARCHIVE DRAWINGS, SITE PHOTOS AND NOTES ARE PRESENTED AS A TENDER CONCEPT FOR THE EXISTING DAM DEMOLITION.
 2. DAM COMPONENTS TO BE REMOVED IN THE DRY INCLUDE:
 - WOOD DECK WITH STEEL HANDRAILS AND ALL MOUNTING ANCHORS
 - WINCH ASSEMBLY
 - REINFORCED CONCRETE AND ROCK FILL STRUCTURE IN ITS ENTIRETY INCLUDING WING WALLS, PIERS, SLUICEWAY AND CUT-OFF WALLS ON EACH SIDE.
 - ALL TIMBER CRIB STRUCTURES
 3. SALVAGE: EXISTING MATERIALS TO BE REMOVED FROM SITE. STORED, RETURNED AND REMOUNTED INCLUDE:
 - WINCH ASSEMBLY
 - UPSTREAM AND DOWNSTREAM BOAT RAILS
 - PERMANENT SIGNS
 - WATER LEVEL MEASURING SYSTEM
- MATERIALS TO BE REMOVED AND DELIVERED TO PARKS CANADA STORAGE INCLUDE:
- STOPLOGS (WOOD & STEEL)

SITE PLAN
1 : 250





LEGEND:

- EXISTING TREES
- PROPERTY BOUNDARY
- SLOPE PROTECTION STONE RIP-RAP
- PRIVATE PROPERTY
- EXISTING BUILDING
- PROPERTY IDENTIFICATION NUMBER
- UPSTREAM
- DOWNSTREAM
- SHEET PILES (FOUNDATION LIMIT)
- HYDRO POLE

No.	Description	Dwn.By Des.Par	Date
5.	FOR TENDER	C.C.	APR 22, 2015
4.	FOR CLIENT REVIEW 99%	C.C.	DEC 12, 2014
3.	FOR CLIENT REVIEW 95%	C.C.	DEC 1, 2014
2.	FOR CLIENT USE	C.C.	SEP 8, 2014
1.	FOR CLIENT REVIEW 66%	C.C.	JULY 12, 2014

Do not scale drawings.
Verify all dimensions and conditions on site and immediately notify the Departmental Representative of all discrepancies.

A B	A Detail number Numéro du détail
	B Location dwg. number Numéro sur dessin

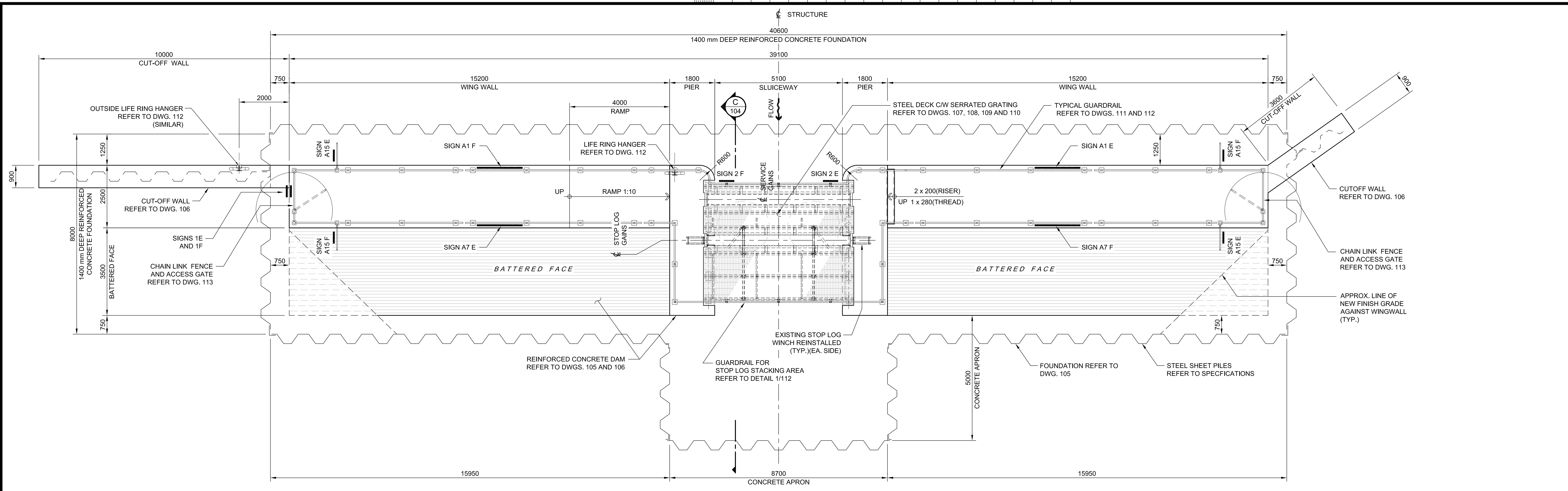
Project title / Titre du projet

KENNIS LAKE DAM REPLACEMENT

Drawing title / Titre du dessin

NEW SITE PLAN

Drawn by / Dessiné par HENRYK CHRZANOWSKI	Designed by / Conçu par CZESLAW CUDOWSKI
Approved by / Approuvé par LUC BERIAULT	Drawing Date / Date du dessin JUNE 2014
Project manager / Administrateur de projet ATIF SUHAIL	
HCEW Number / Numéro de CH11 COTSW 14 - R9	Drawing Number / Numéro du Dessin 102
Project Number / Numéro du projet R.065660.001	Sheet Feuille 3 of 17

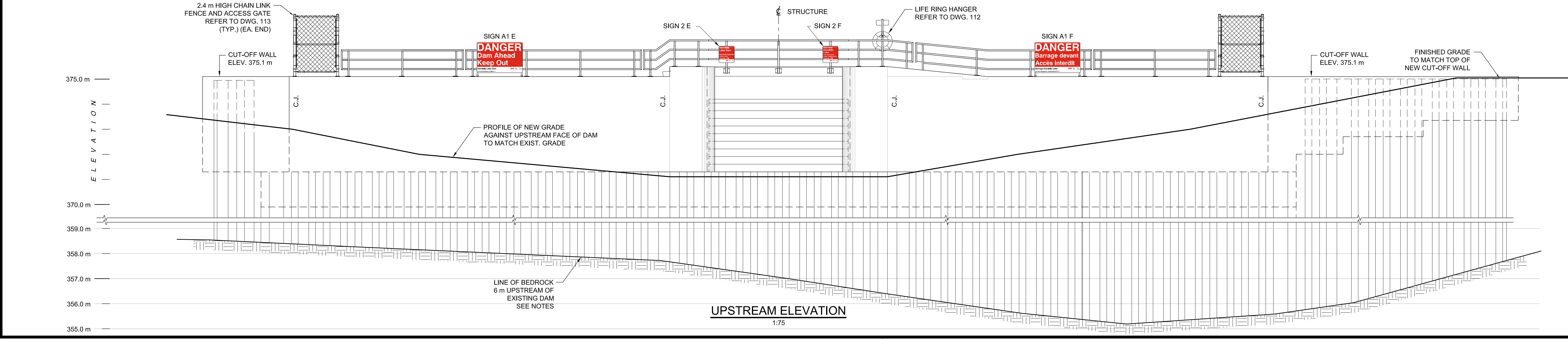
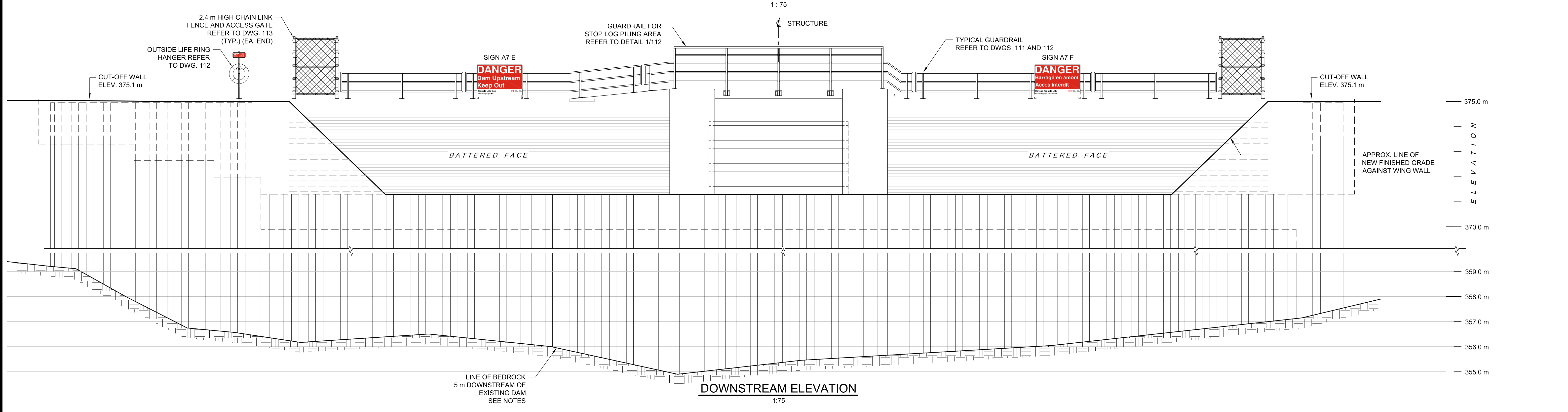


GENERAL NOTES:

1. THE CONTRACTOR SHALL VERIFY ALL DIMENSIONS, ACCESS, ELEVATIONS AND ALL OTHER RELEVANT SITE CONDITIONS. ANY DISCREPANCIES SHALL BE REPORTED TO THE DEPARTMENTAL REPRESENTATIVE PRIOR TO COMMENCEMENT OF THE WORK.
2. ALL DIMENSIONS ARE IN MILLIMETERS.

NOTE:

1. DATA FOR BEDROCK PROFILE WAS OBTAINED FROM THE GEOPHYSICAL INVESTIGATION REPORT DATED SEPTEMBER 2014 PREPARED JOINTLY BY GEOPHYSICS GPR INTERNATIONAL INC. AND KGS GROUP CONSULTING ENGINEERS.



No.	Description	Des.By/ Des.Par	Date
4.	FOR TENDER	C.C.	APR 22, 2015
3.	FOR CLIENT REVIEW 99%	C.C.	DEC 12, 2014
2.	FOR CLIENT REVIEW 95%	C.C.	DEC 1, 2014
1.	FOR CLIENT REVIEW 66%	C.C.	JULY 12, 2014

Revision / Révision

Do not scale drawings.
Verify all dimensions and conditions on site and immediately notify the Departmental Representative of all discrepancies.

A Detail number
Numéro du détail
B Location dwg. number
Numéro sur dessin

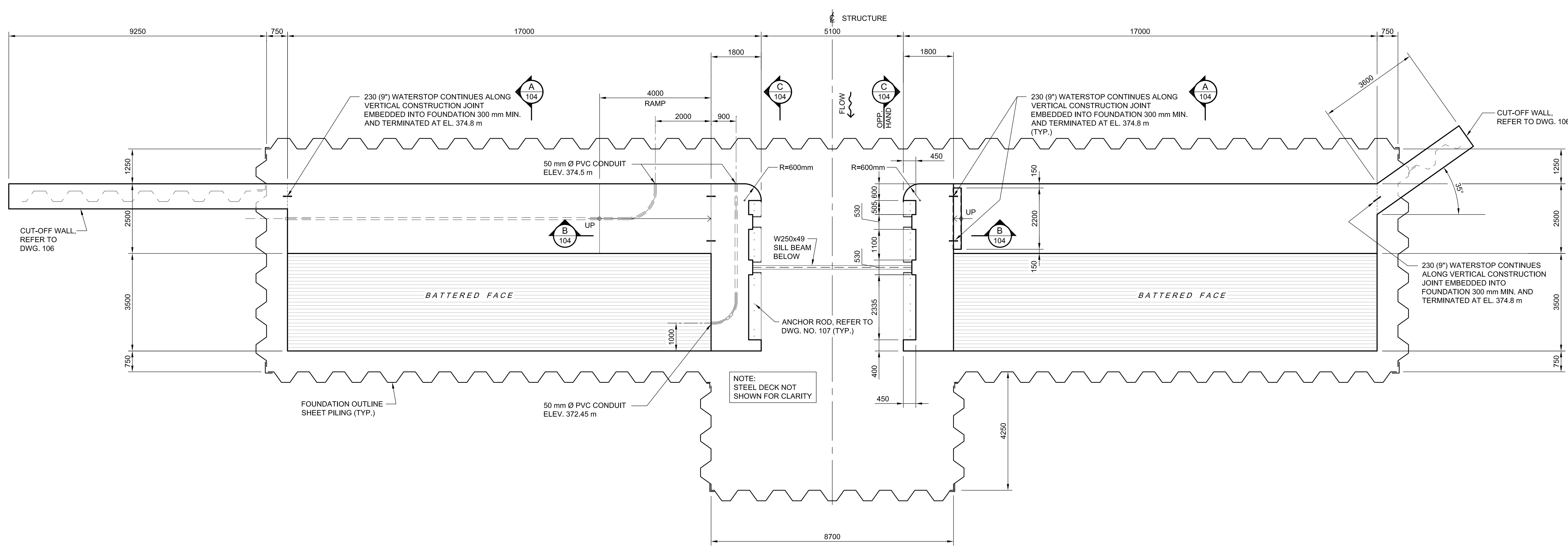
Project title / Titre du projet

KENNISIS LAKE DAM REPLACEMENT

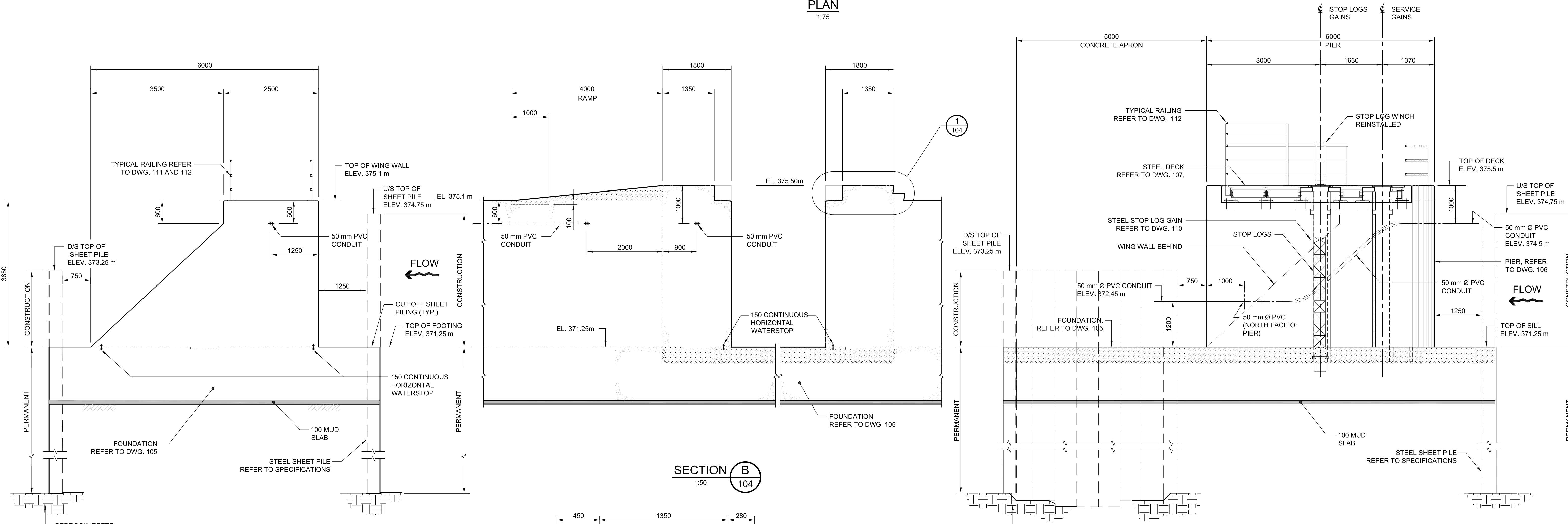
Drawing title / Titre du dessin

GENERAL ARRANGEMENT, PLAN AND ELEVATIONS

Drawn by / Dessiné par HENRYK CHRZANOWSKI	Designed by / Conçu par CZESLAW CUDOWSKI
Approved by / Approuvé par LUC BERIAULT	Drawing Date / Date du dessin JUNE 2014
Project manager / Administrateur de projet ATIF SUHAIL	
HCEW Number / Numéro de CHTI COTSW 14 - R9	Drawing Number / Numéro du Dessin 103
Project Number / Numéro du projet R_065660.001	Sheet / Feuille 4 of 17



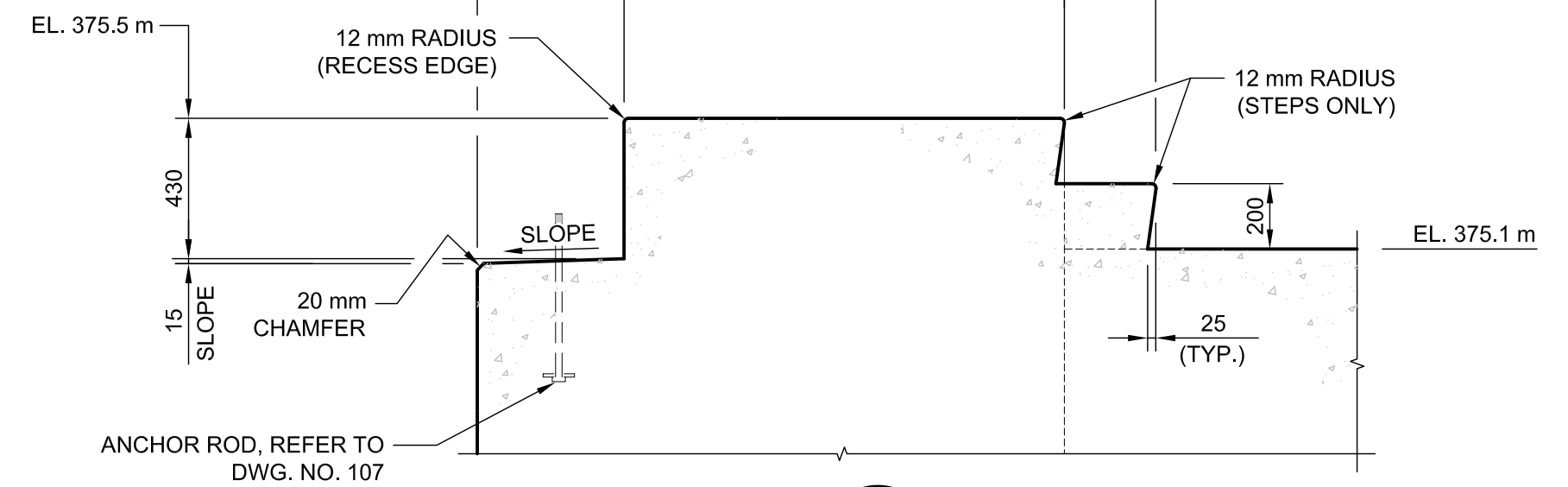
PLAN
1:75



SECTION A
1:50

SECTION B
1:50

SECTION C
1:50



DETAIL 1
1:20

LEGEND:
D/S - DOWNSTREAM
U/S - UPSTREAM

No.	Description	Des.By	Date
4.	FOR TENDER	C.C.	APR 22, 2015
3.	FOR CLIENT REVIEW 99%	C.C.	DEC 12, 2014
2.	FOR CLIENT REVIEW 95%	C.C.	DEC 1, 2014
1.	FOR CLIENT REVIEW 66%	C.C.	JULY 12, 2014

No.	Description	Des.Par	Date
1.	FOR CLIENT REVIEW 66%	C.C.	JULY 12, 2014

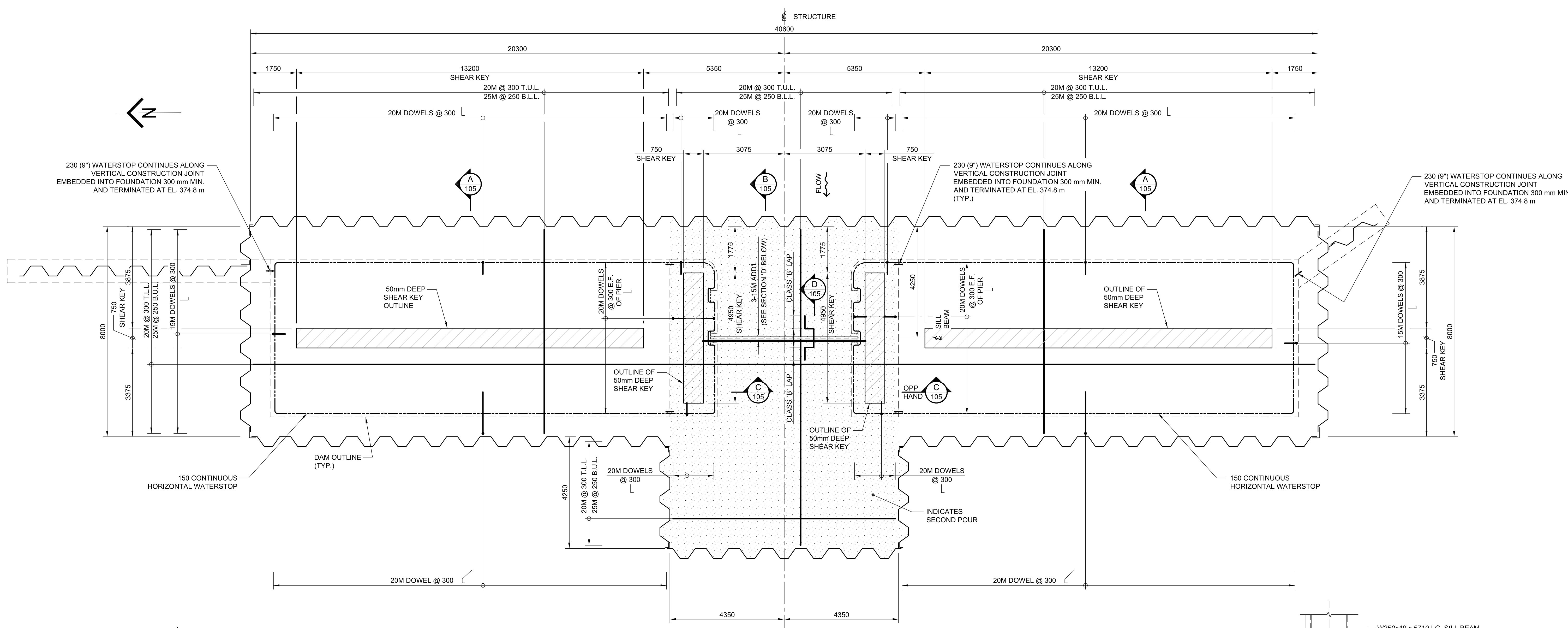
A Detail number
B Location dwg. number

Project title / Titre du projet
KENNIS LAKE DAM REPLACEMENT

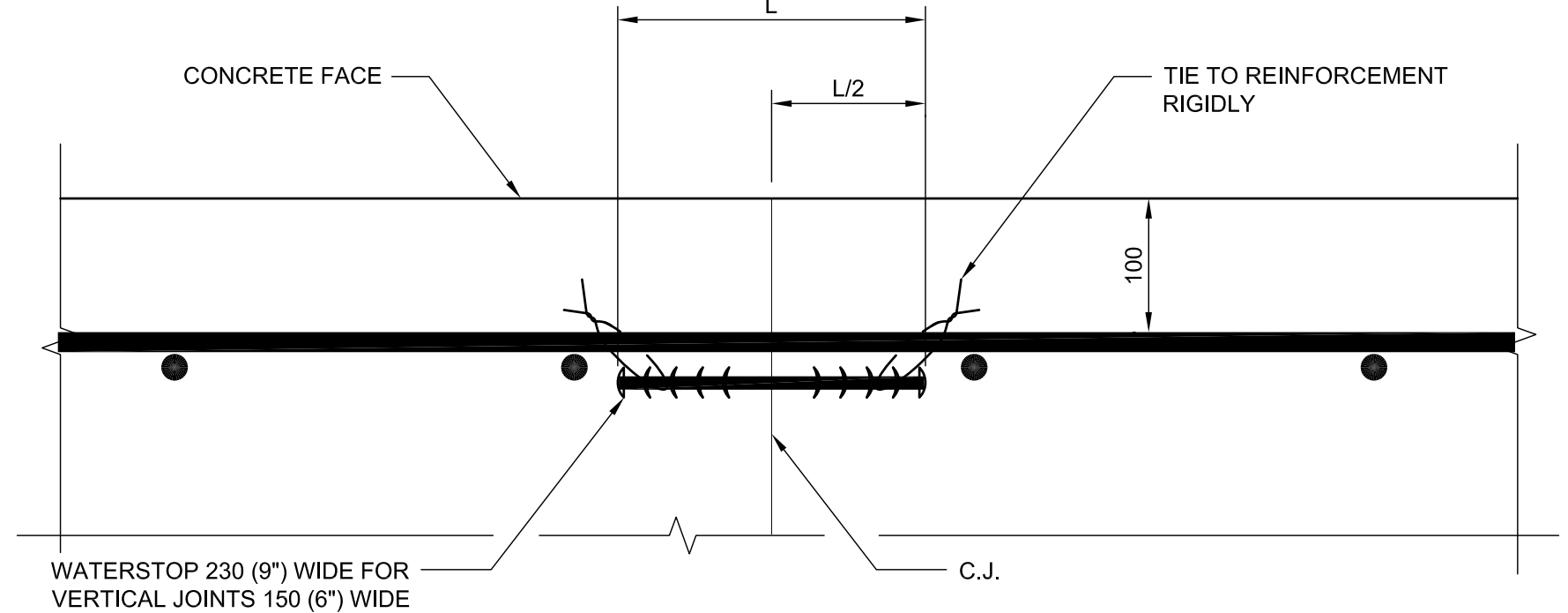
GENERAL ARRANGEMENT, SECTIONS AND DETAILS

Drawn by / Dessiné par: DAVID ROWAN
Designed by / Conçu par: CZESLAW CUDOWSKI
Approved by / Approuvé par: LUC BERIAULT
Drawing Date / Date du dessin: MAY 2014

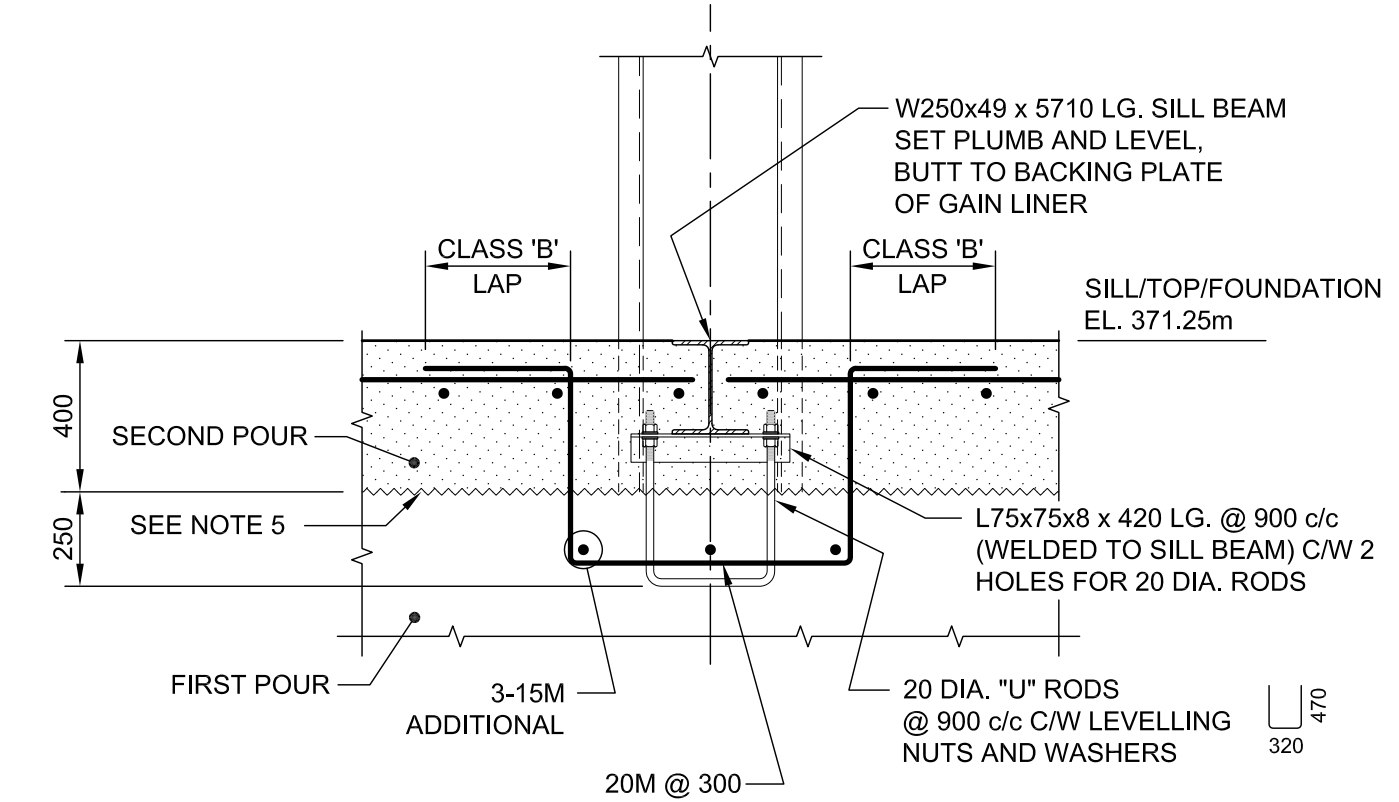
Project manager / Administrateur de projet: ATIF SUHAIL
HCEW Number / Numéro de CHT: COTSW 14 - R9
Project Number / Numéro du projet: R.065660.001
Drawing Number / Numéro du Dessin: 104
Sheet 5 of 17



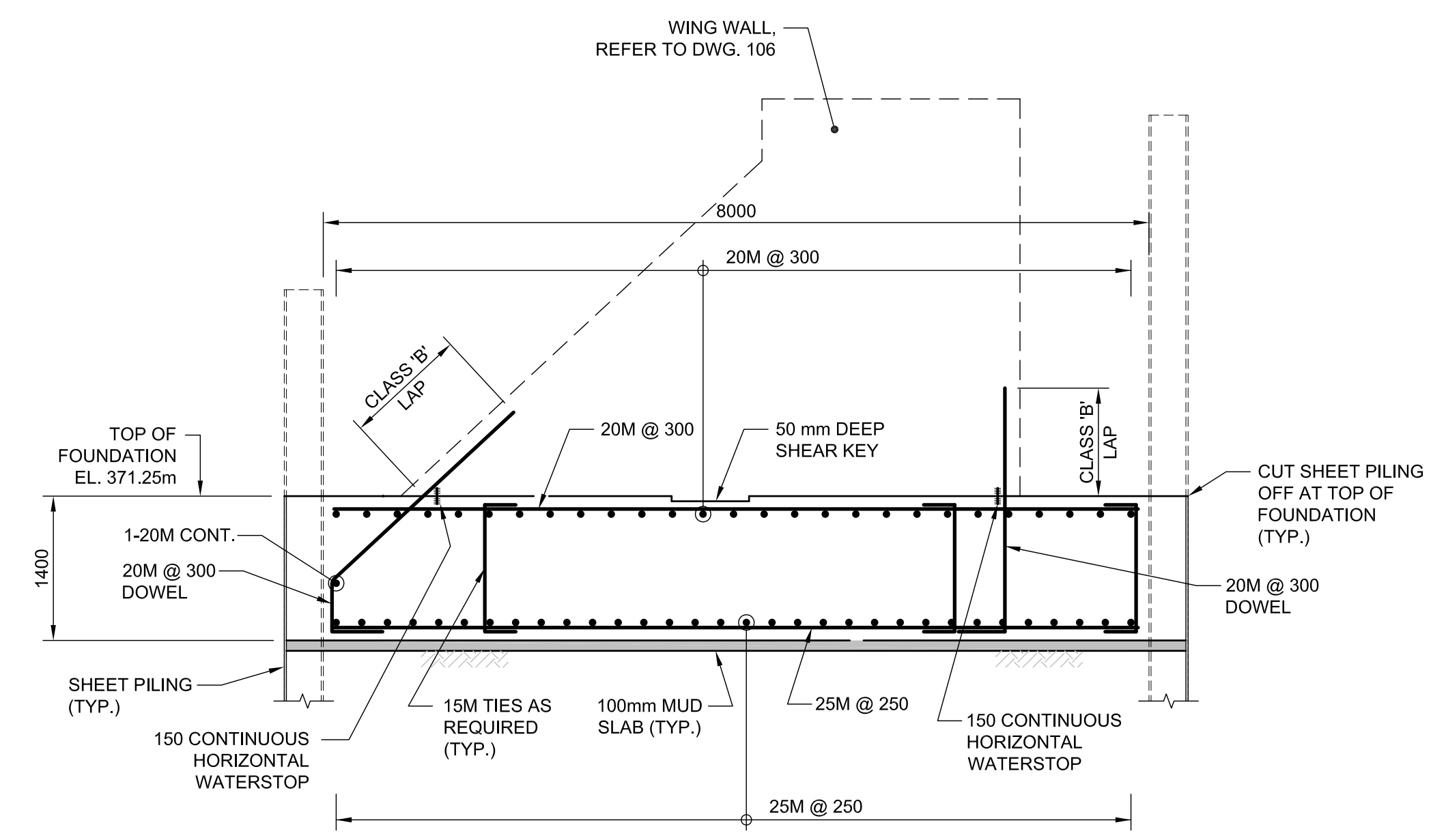
PLAN
1:75



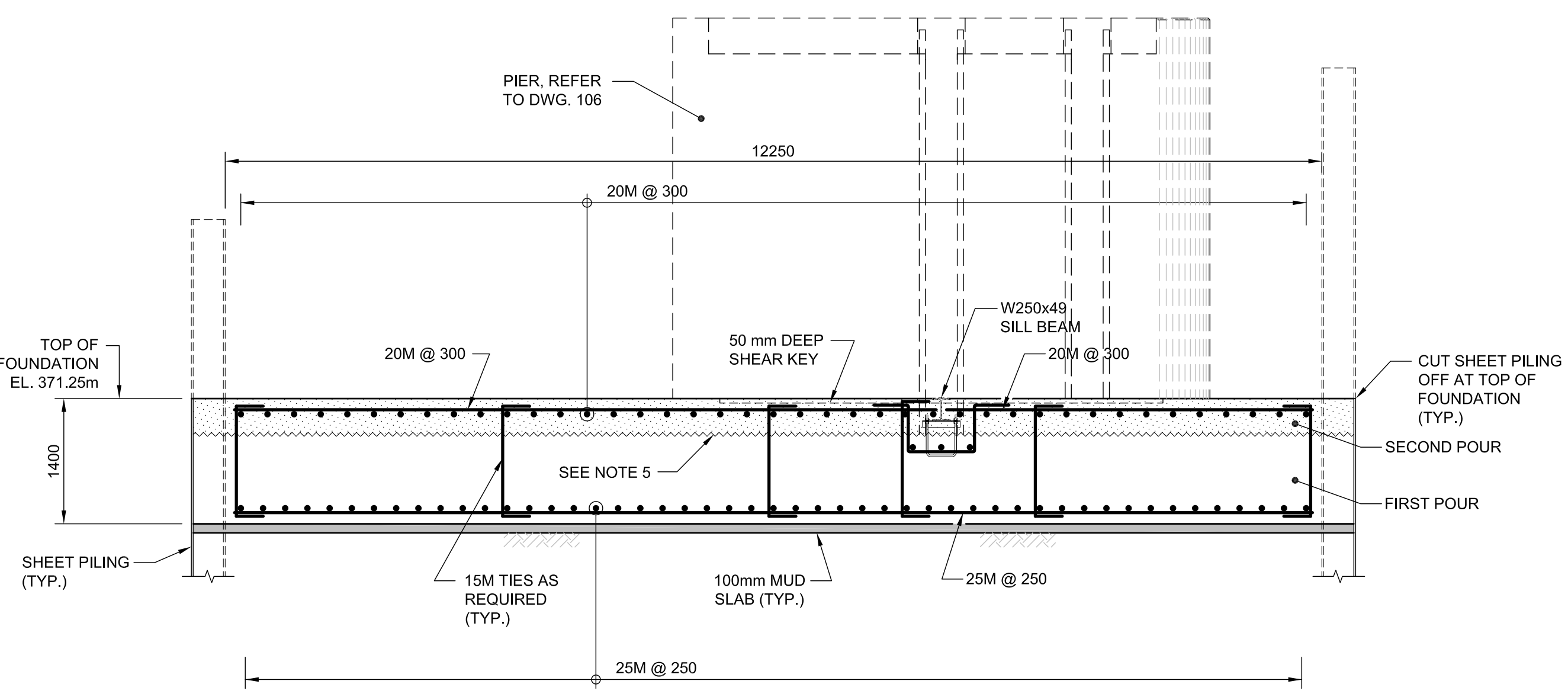
CONSTRUCTION JOINT - DETAIL
1:5



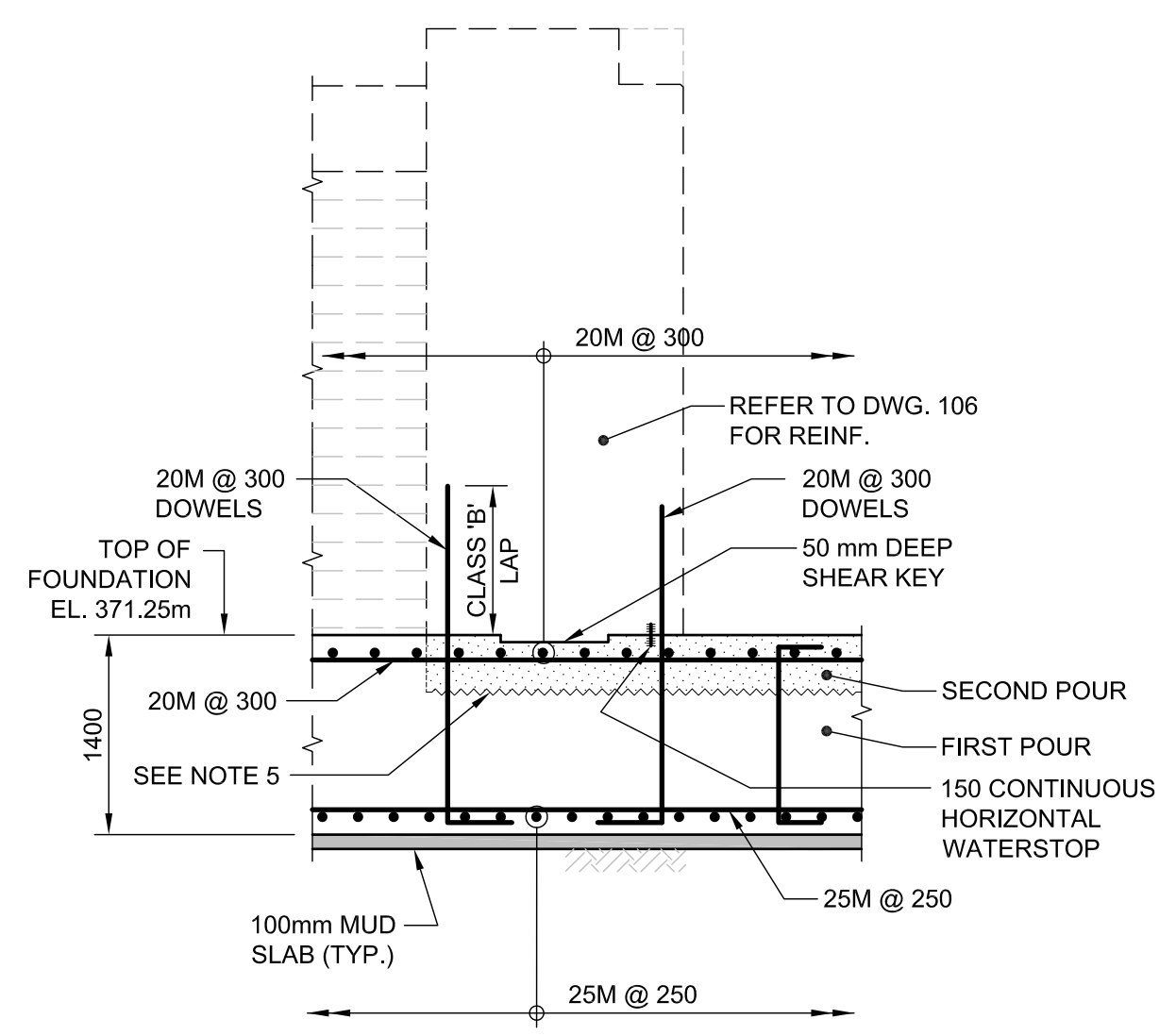
SECTION D
1:20



SECTION A
1:50



SECTION B
1:50



SECTION C
1:50

- NOTES:**
1. ALL REINFORCING STEEL HOOKS ARE STANDARD UNLESS NOTED OTHERWISE.
 2. ALL REINFORCING STEEL SPLICES ARE CLASS 'B' UNLESS NOTED OTHERWISE.
 3. CLEAR CONCRETE COVER TO ALL REINFORCING SHALL BE 100 ± 10 mm UNLESS NOTED OTHERWISE.
 4. PROVIDE 20 mm CHAMFER AT ALL EXPOSED CONCRETE EDGES UNLESS NOTED OTHERWISE.
 5. INTENTIONALLY ROUGHEN SURFACE OF FIRST POUR TO AMPLITUDE OF 10 mm.

- LEGEND:**
- E.F. - EACH FACE
 - B.L.L. - BOTTOM LOWER LAYER
 - B.U.L. - BOTTOM UPPER LAYER
 - T.L.L. - TOP LOWER LAYER
 - T.U.L. - TOP UPPER LAYER
-

No.	Description	Drawn By / Des. Par	Date
4.	FOR TENDER	C.C.	APR 22, 2015
3.	FOR CLIENT REVIEW 99%	C.C.	DEC 12, 2014
2.	FOR CLIENT REVIEW 95%	C.C.	DEC 1, 2014
1.	FOR CLIENT REVIEW 66%	C.C.	JULY 12, 2014

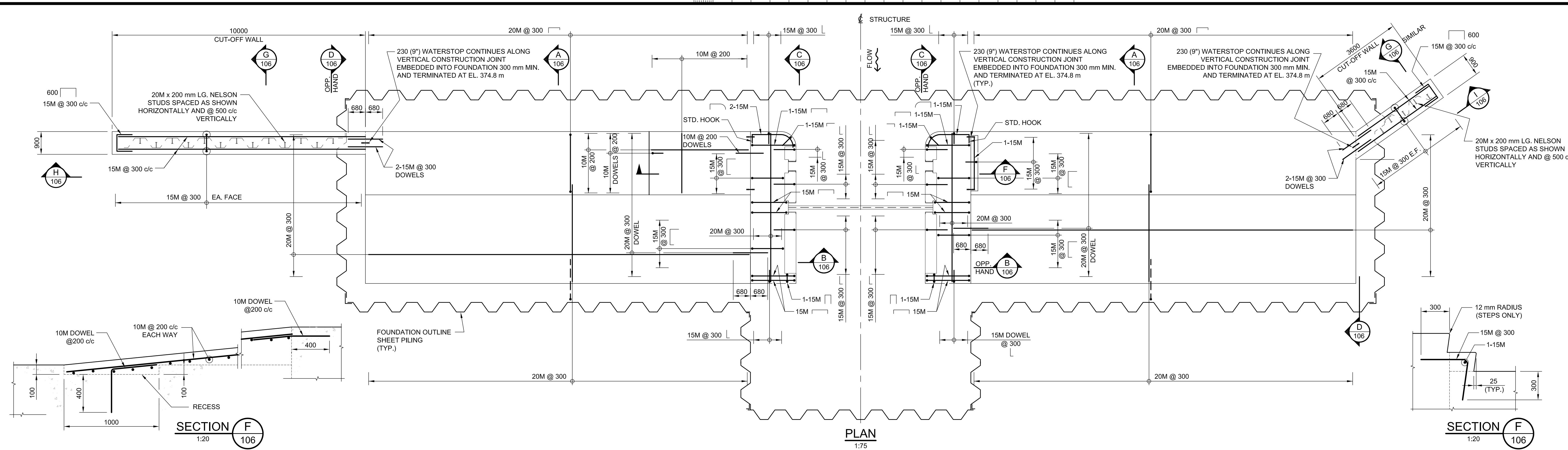
Do not scale drawings. Verify all dimensions and conditions on site and immediately notify the Departmental Representative of all discrepancies.

Revision / Révision	
A	A Detail number / Numéro du détail
B	B Location dwg. number / Numéro sur dessin

KENNISIS LAKE DAM REPLACEMENT

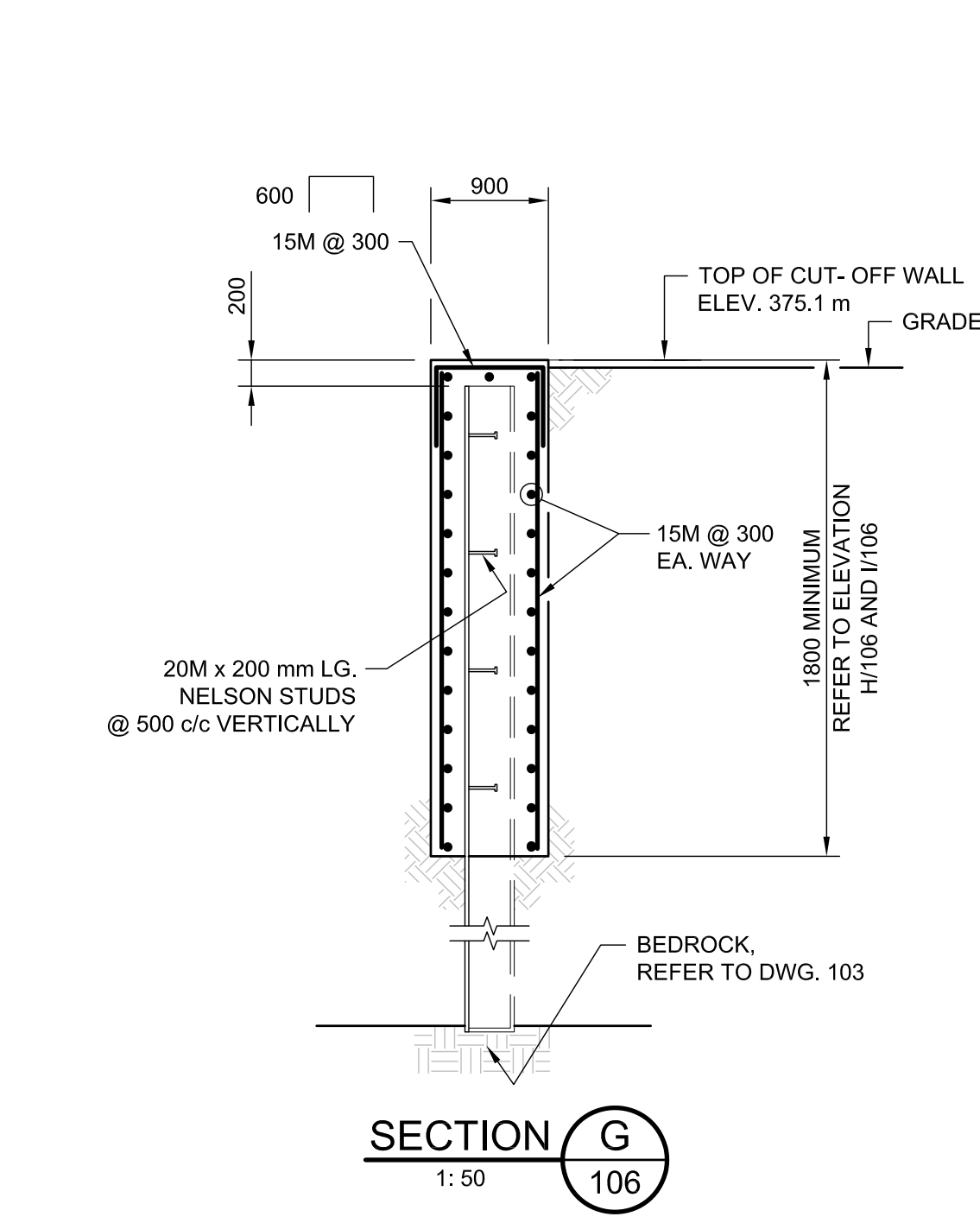
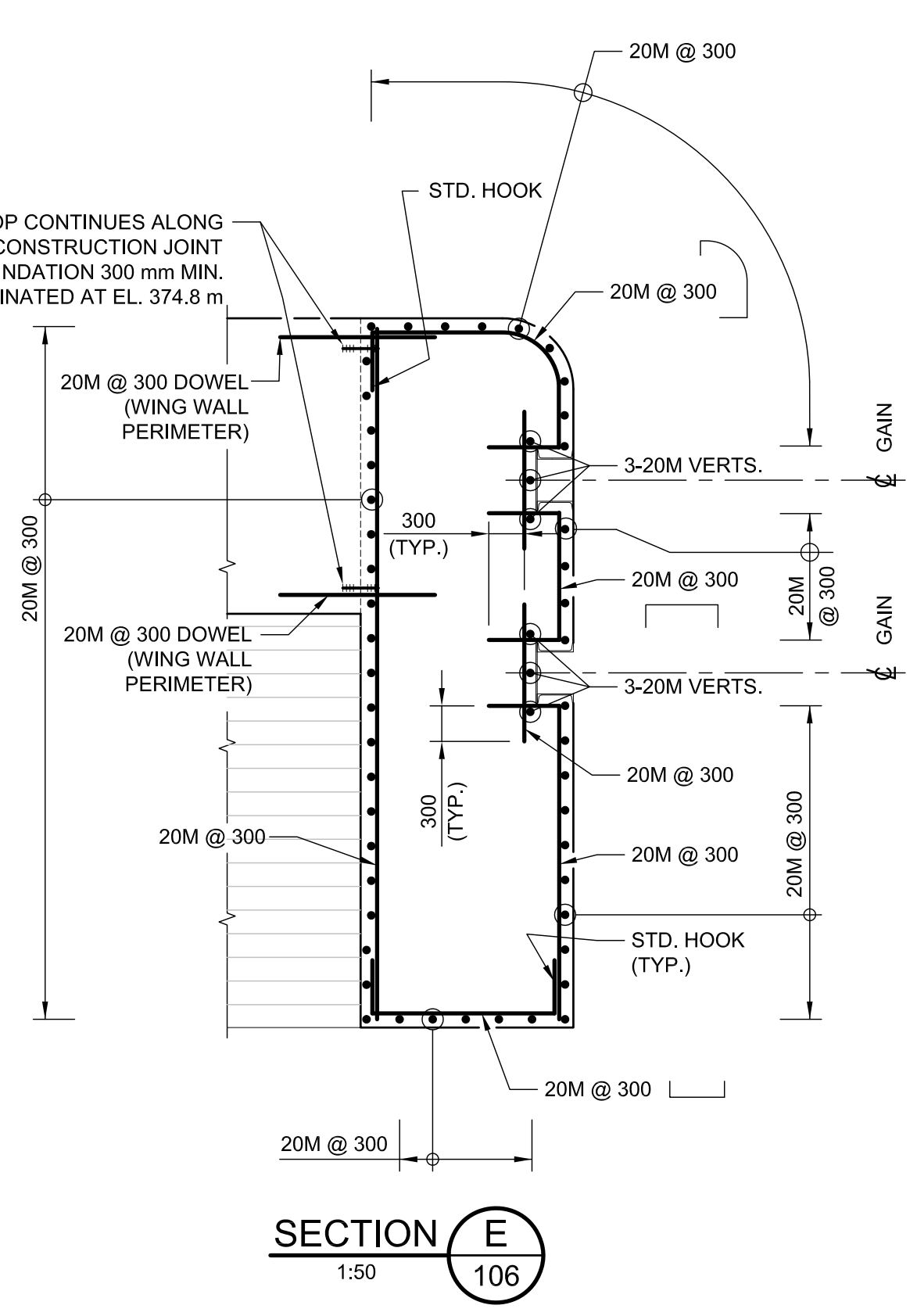
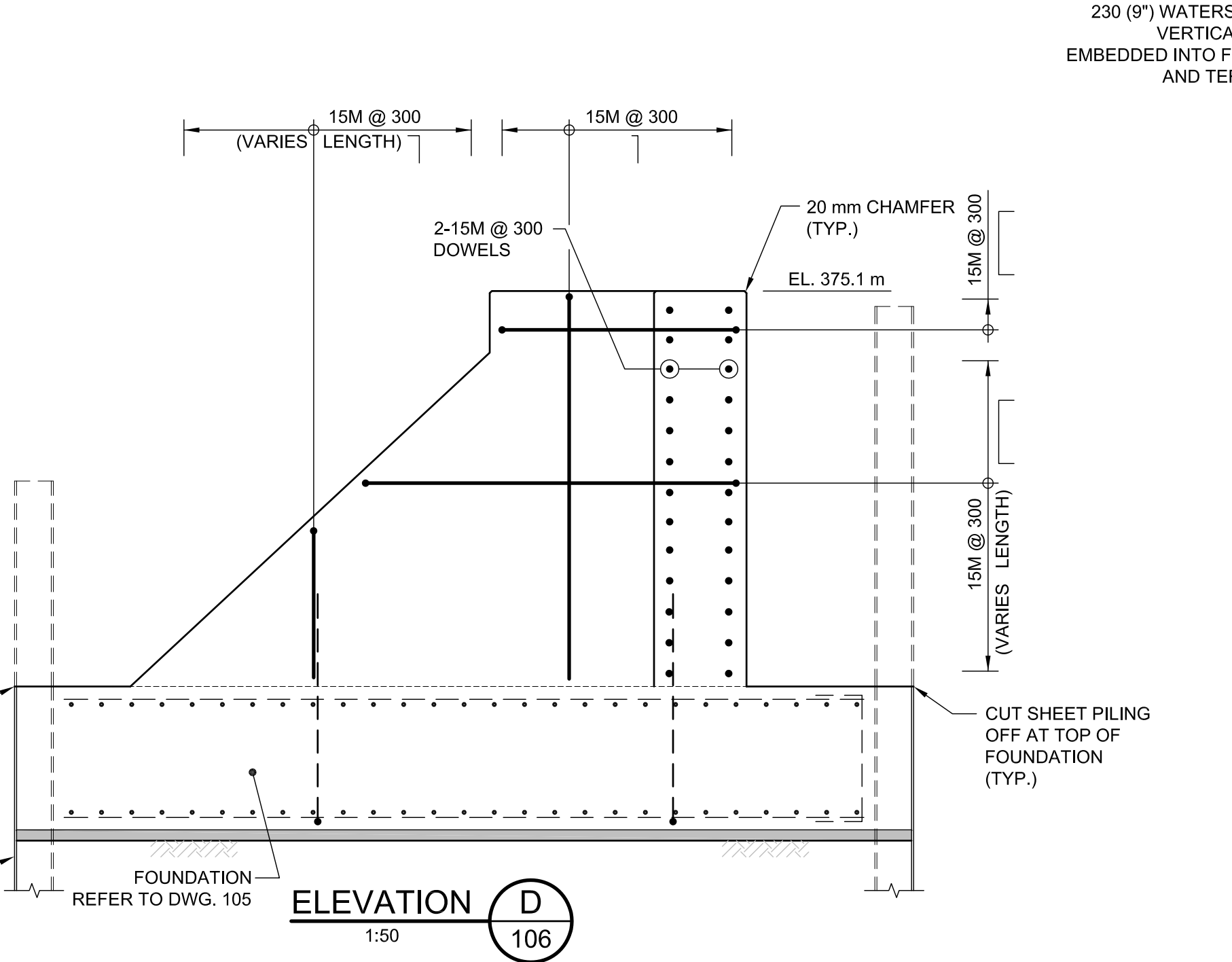
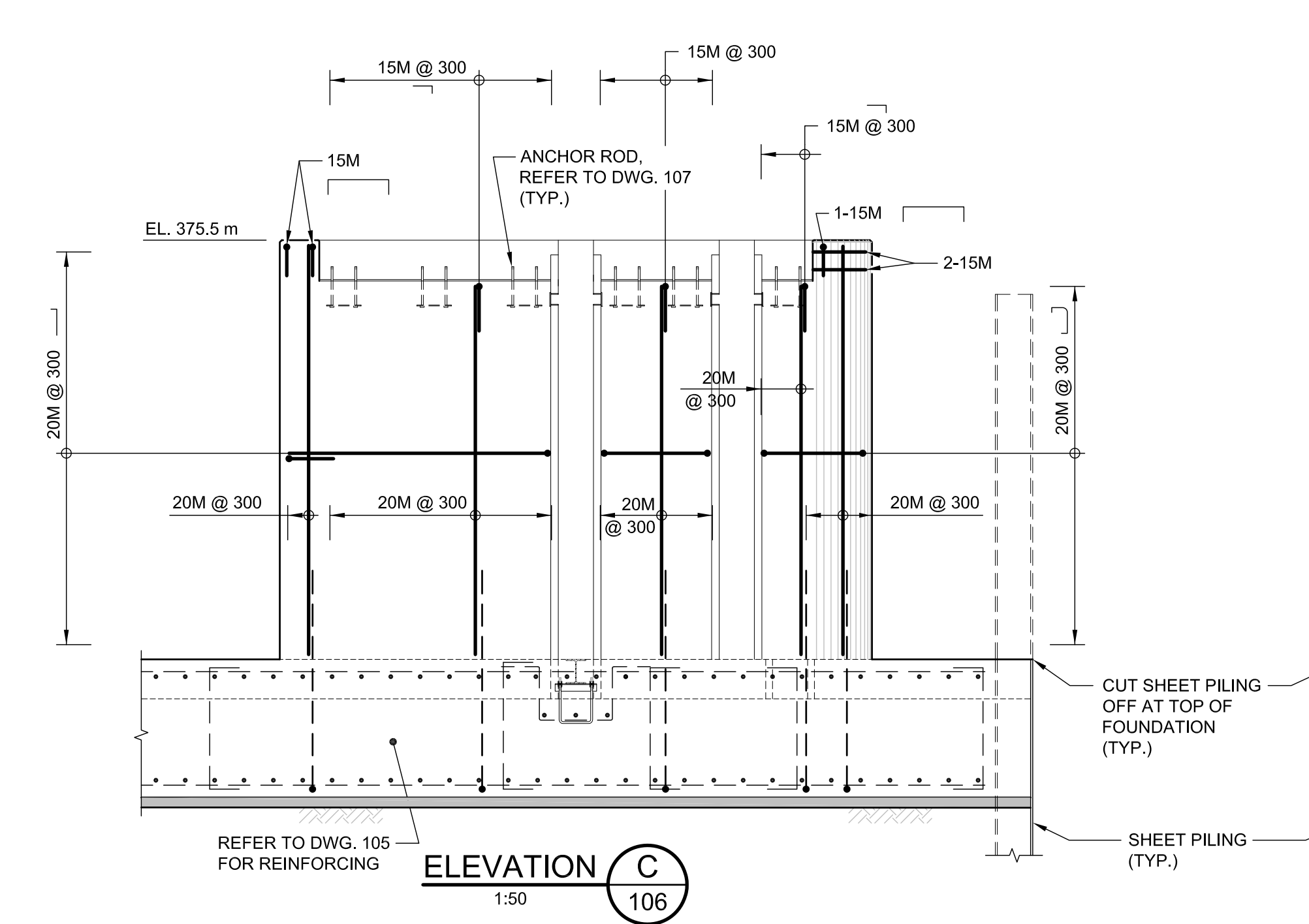
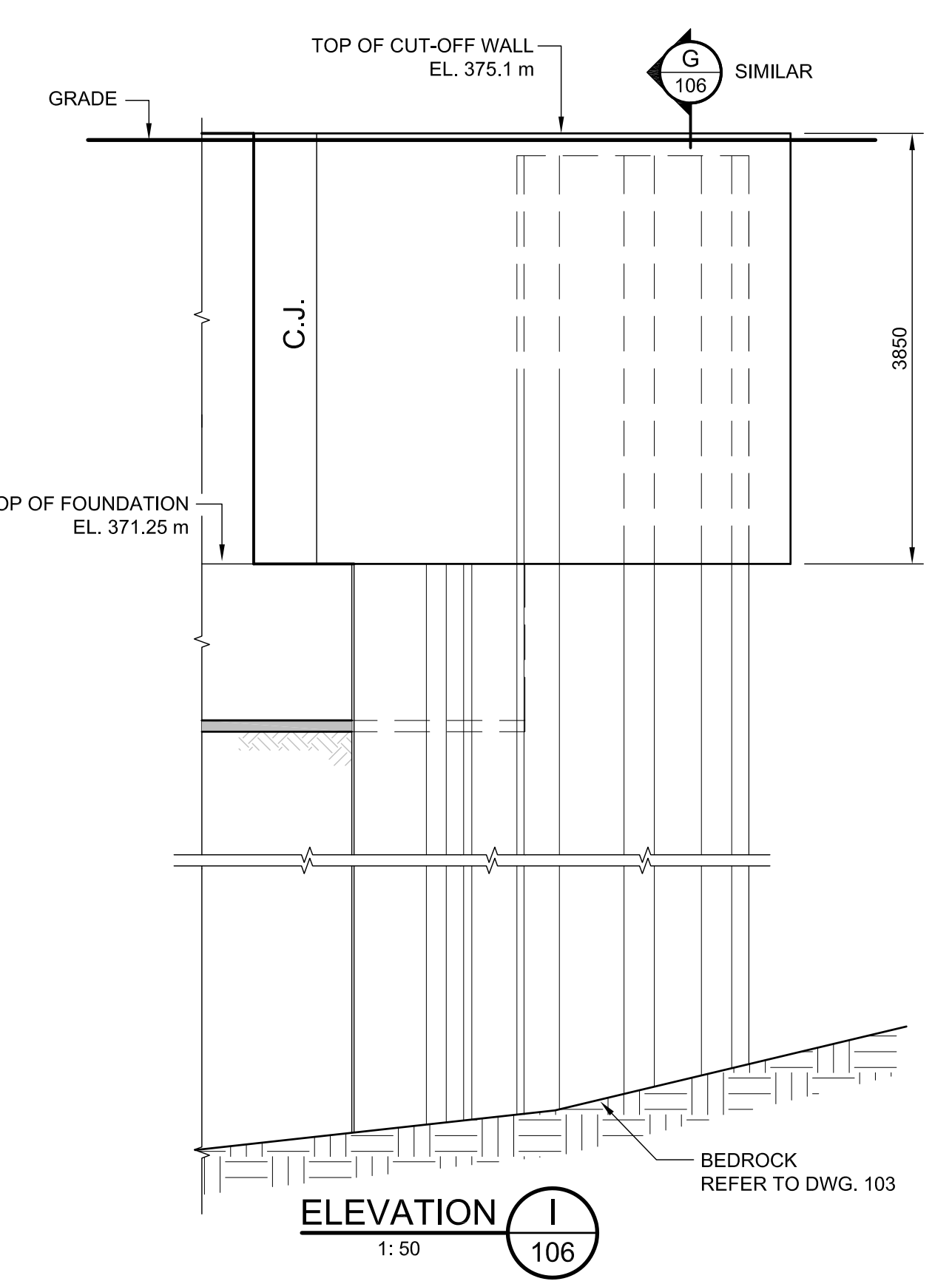
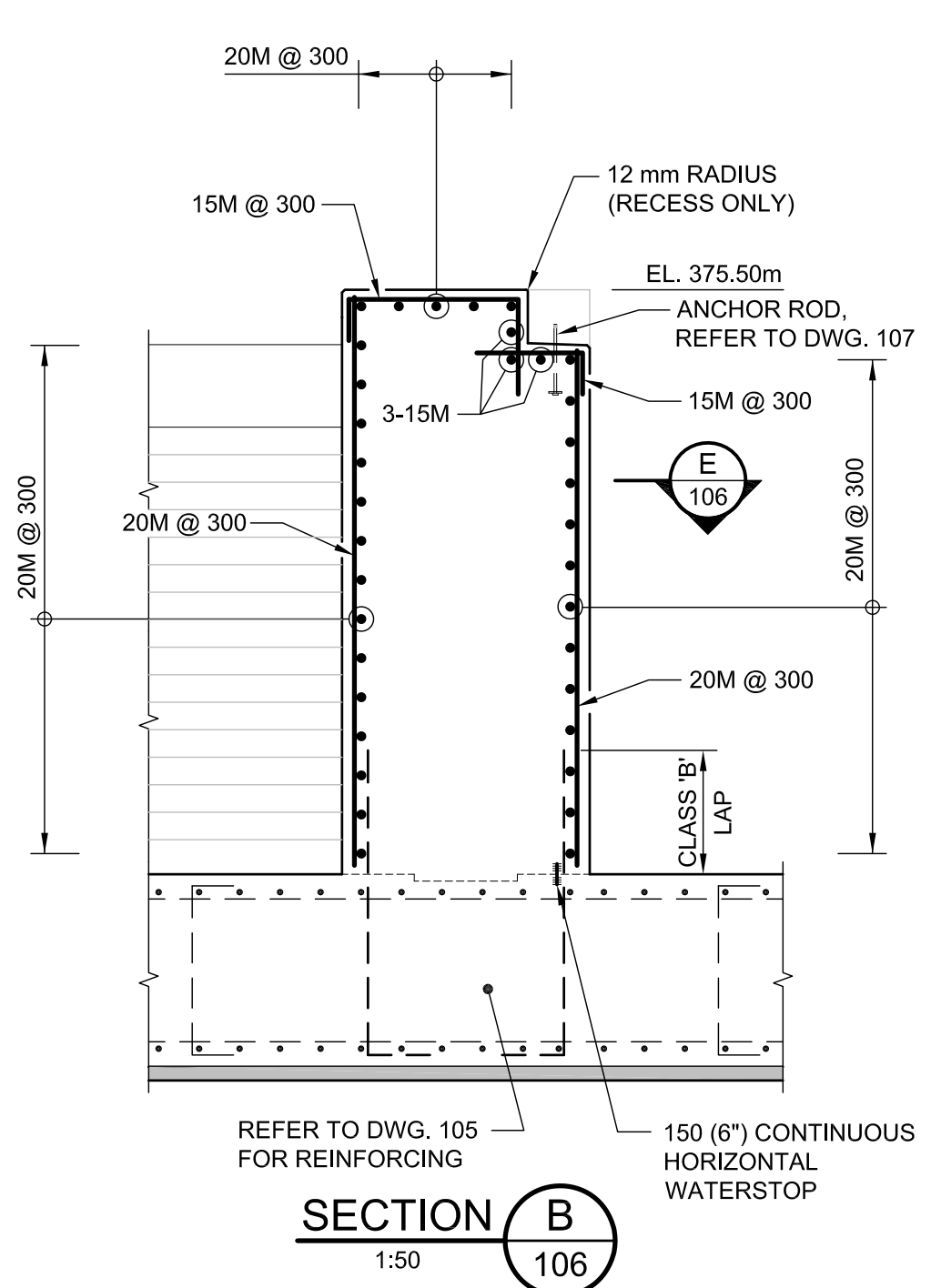
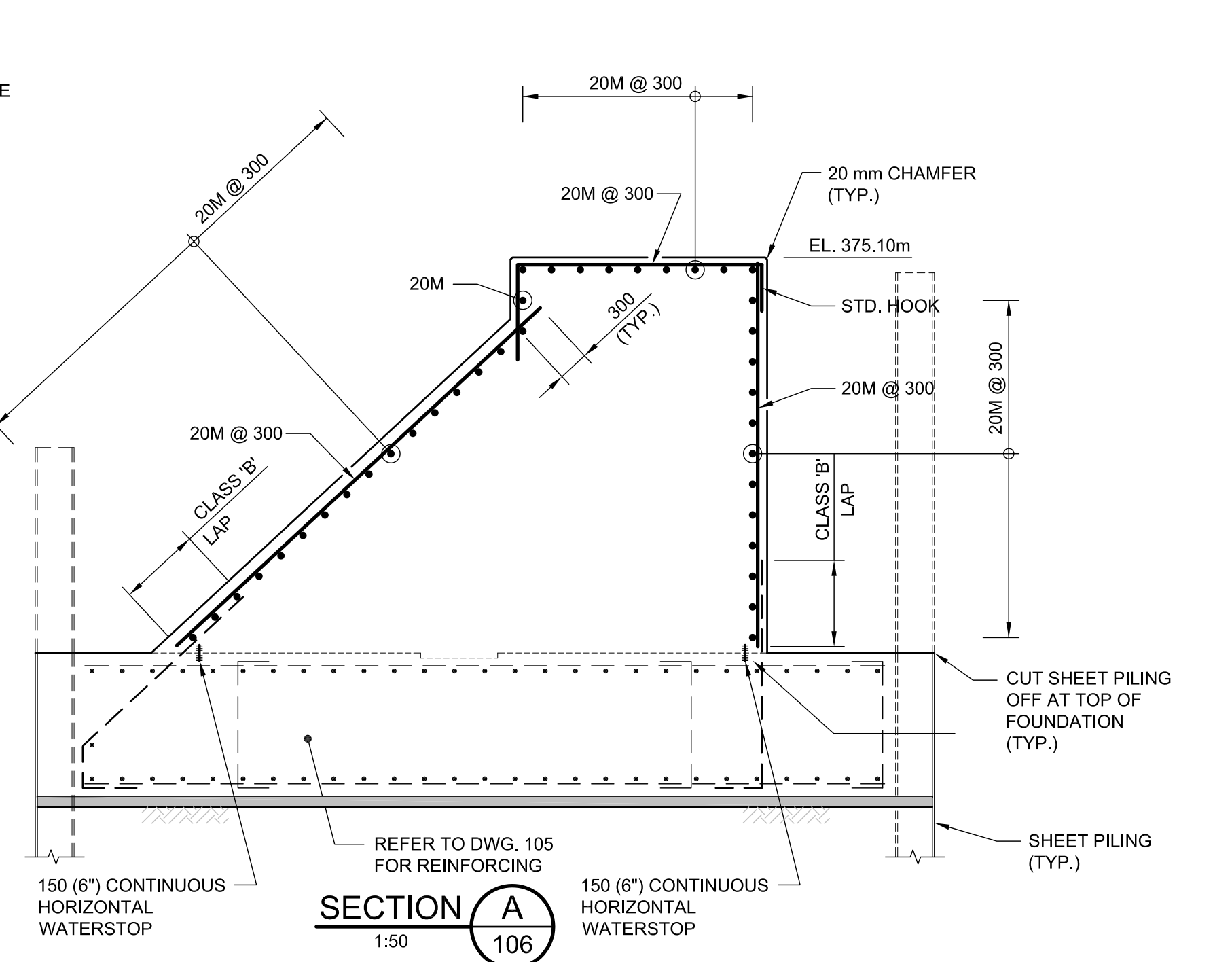
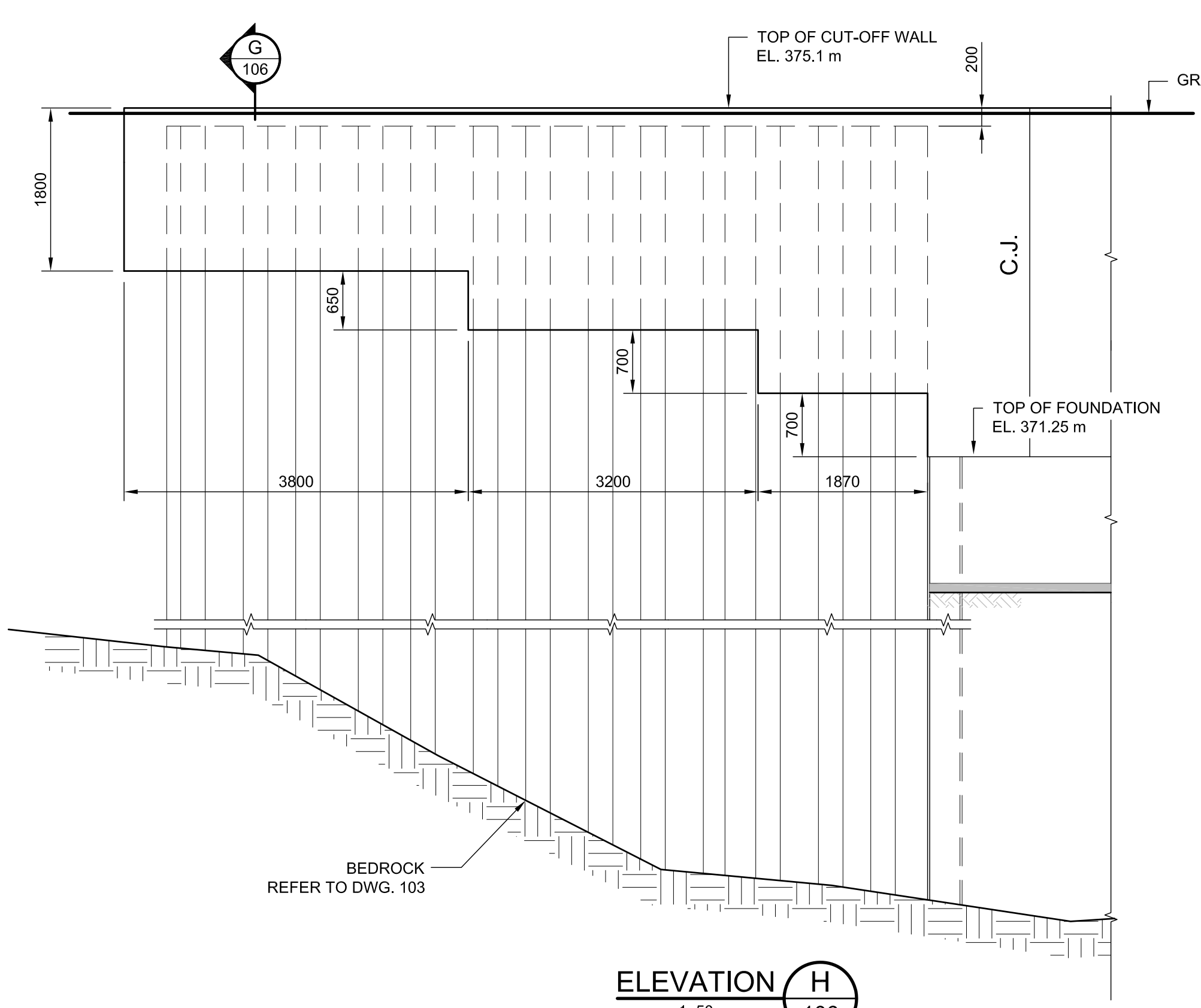
CONCRETE REINFORCING, FOUNDATION DETAILS

Drawn by / Dessiné par HENRYK CHRZANOWSKI DAVID ROWAN	Designed by / Conçu par CZESLAW CUDOWSKI
Approved by / Approuvé par LUC BERIAULT	Drawing Date / Date du dessin JULY 2014
Project manager / Administrateur de projet ATIF SUHAIL	
HCEW Number / Numéro de CHTI COTSW 14 - R9	Drawing Number / Numéro du Dessin 105
Project Number / Numéro du projet R.065660.001	Sheet / Feuille 6 of 17



- NOTES:**
1. ALL REINFORCING STEEL HOOKS ARE STANDARD UNLESS NOTED OTHERWISE.
 2. ALL REINFORCING STEEL SPLICES ARE CLASS 'B' UNLESS NOTED OTHERWISE.
 3. CLEAR CONCRETE COVER TO ALL REINFORCING SHALL BE 100 ± 10 mm UNLESS NOTED OTHERWISE.
 4. PROVIDE 20 mm CHAMFER AT ALL EXPOSED CONCRETE EDGES UNLESS NOTED OTHERWISE.

- LEGEND:**
- E.F. - EACH FACE
 - B.L.L. - BOTTOM LOWER LAYER
 - B.U.L. - BOTTOM UPPER LAYER
 - T.L.L. - TOP LOWER LAYER
 - T.U.L. - TOP UPPER LAYER



No.	Description	Dwn.By / Des.Par	Date
4.	FOR TENDER	C.C.	APR 22, 2015
3.	FOR CLIENT REVIEW 99%	C.C.	DEC 12, 2014
2.	FOR CLIENT REVIEW 95%	C.C.	DEC 1, 2014
1.	FOR CLIENT REVIEW 66%	C.C.	JULY 12, 2014

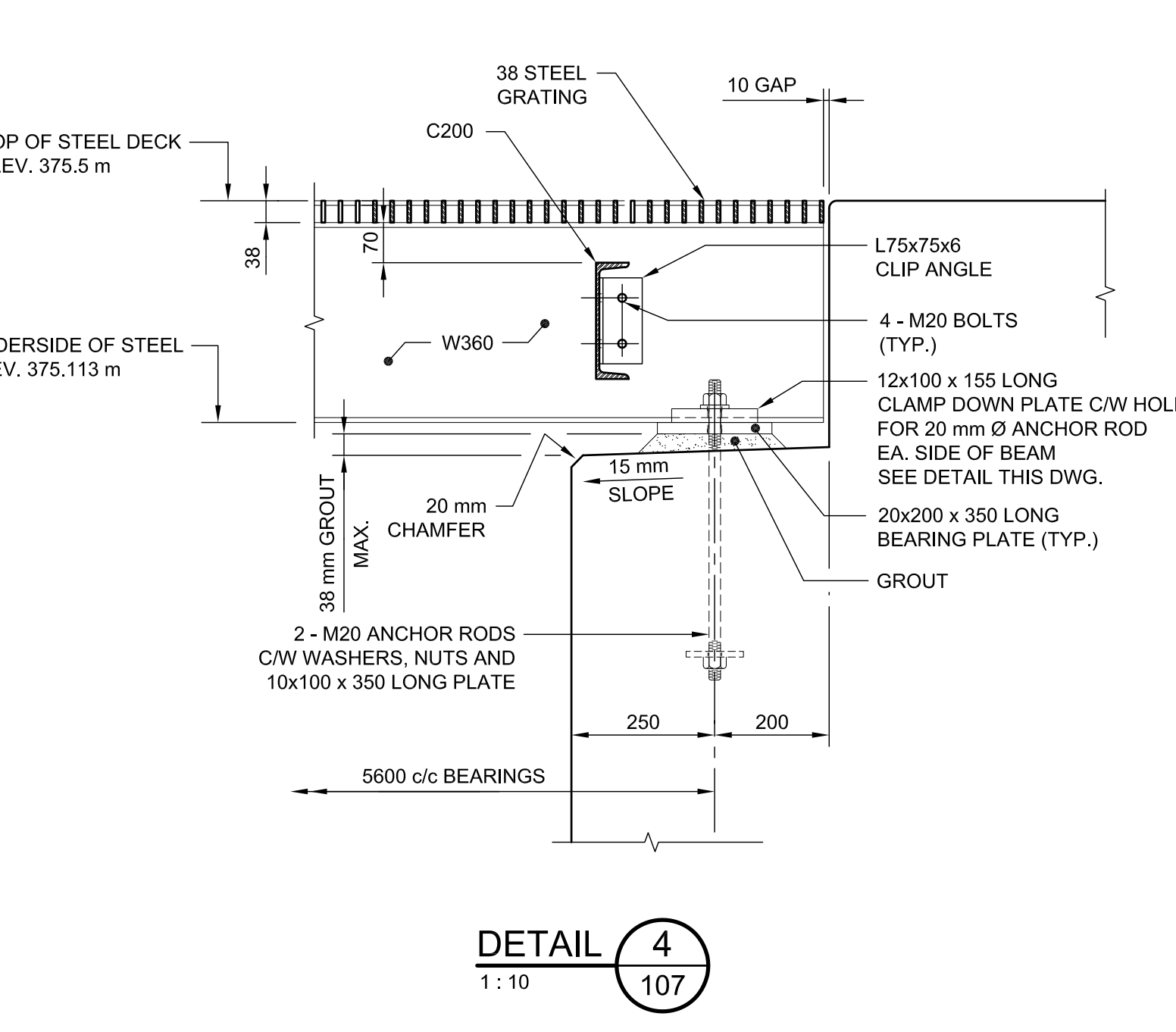
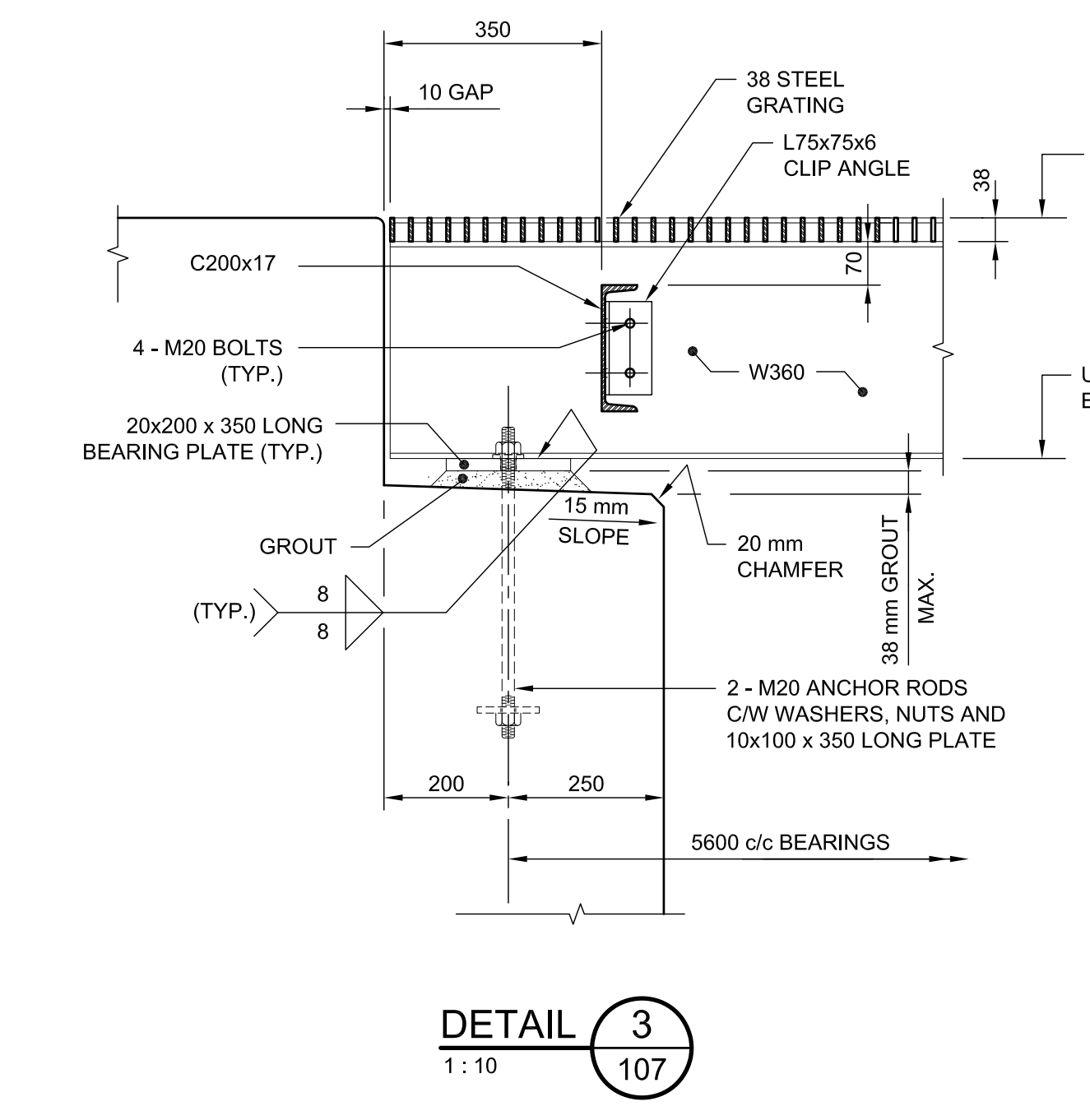
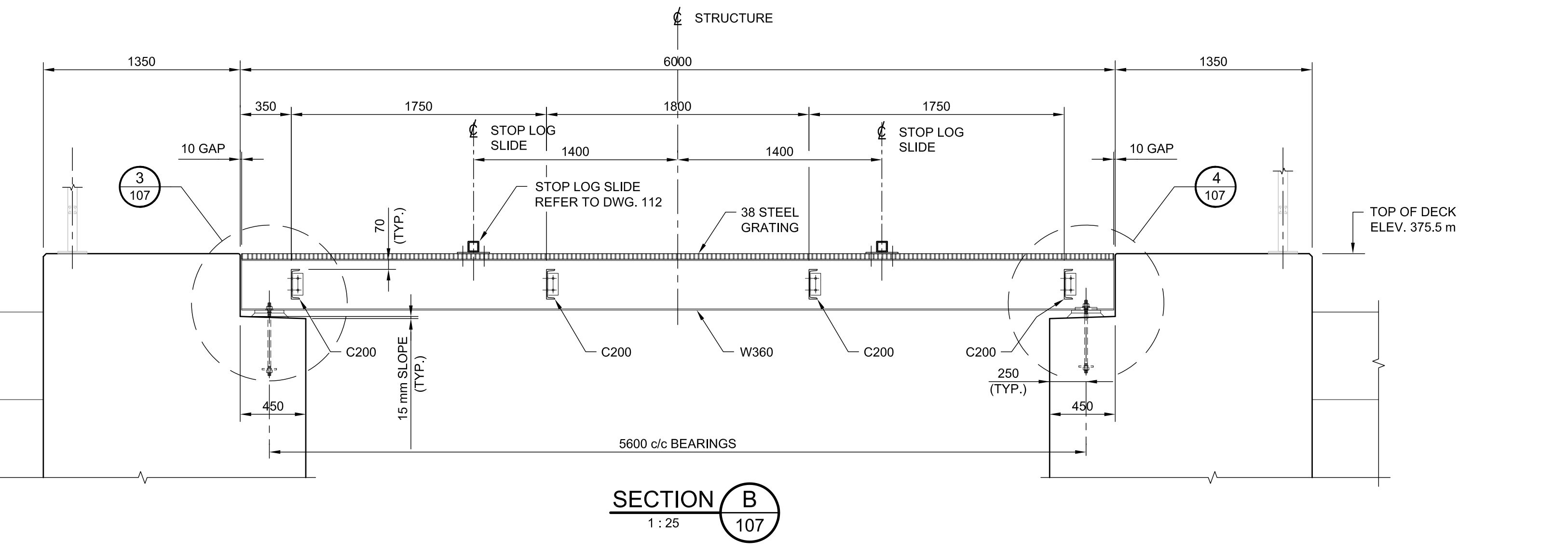
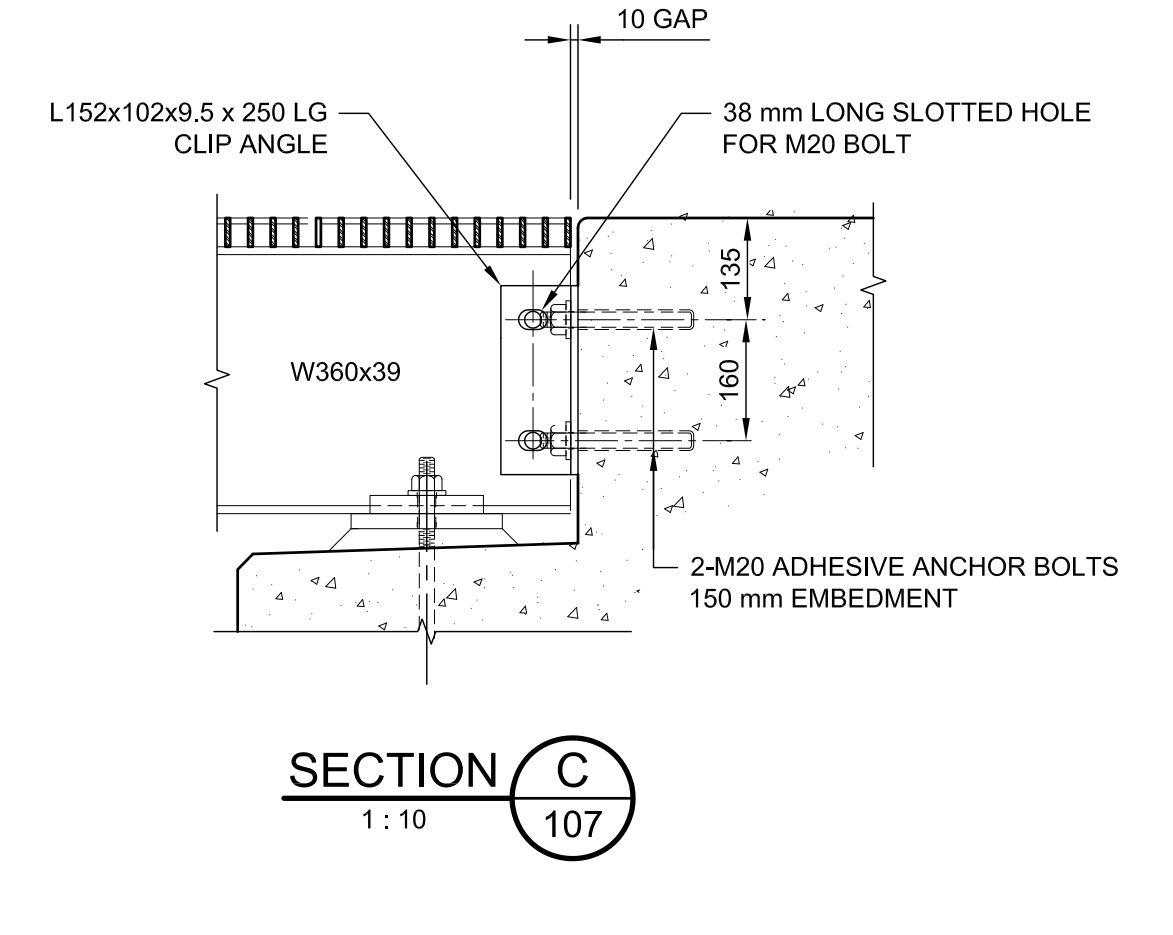
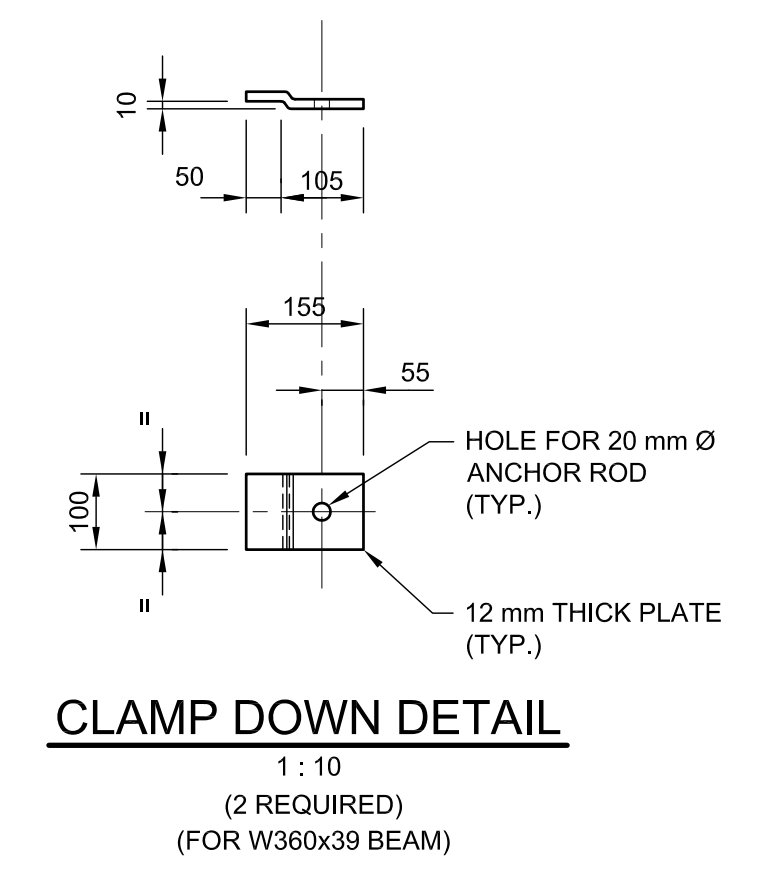
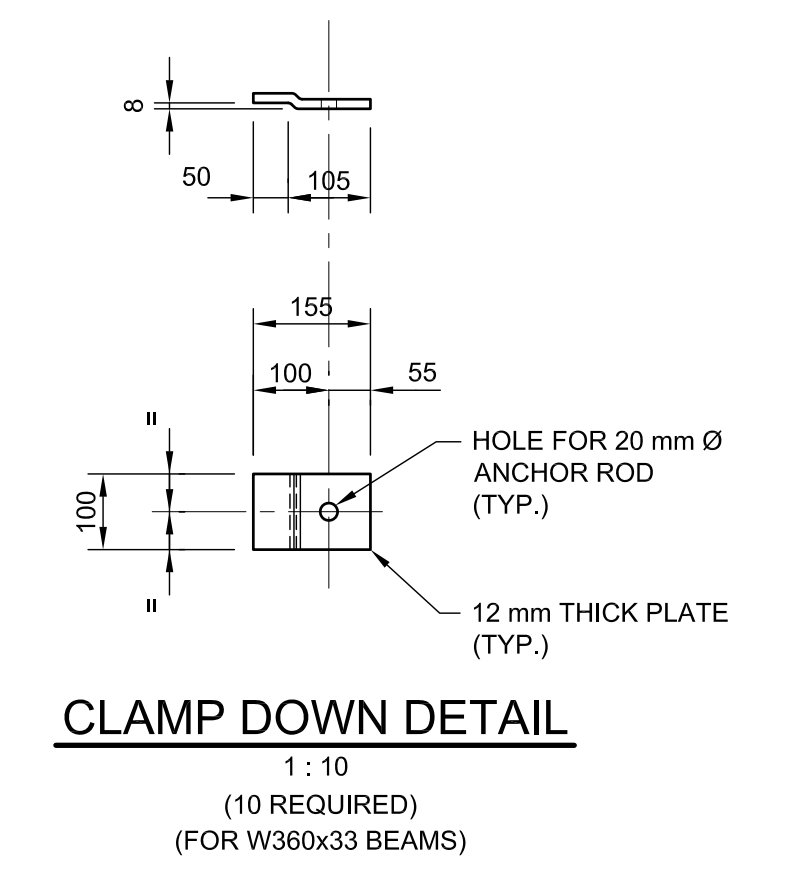
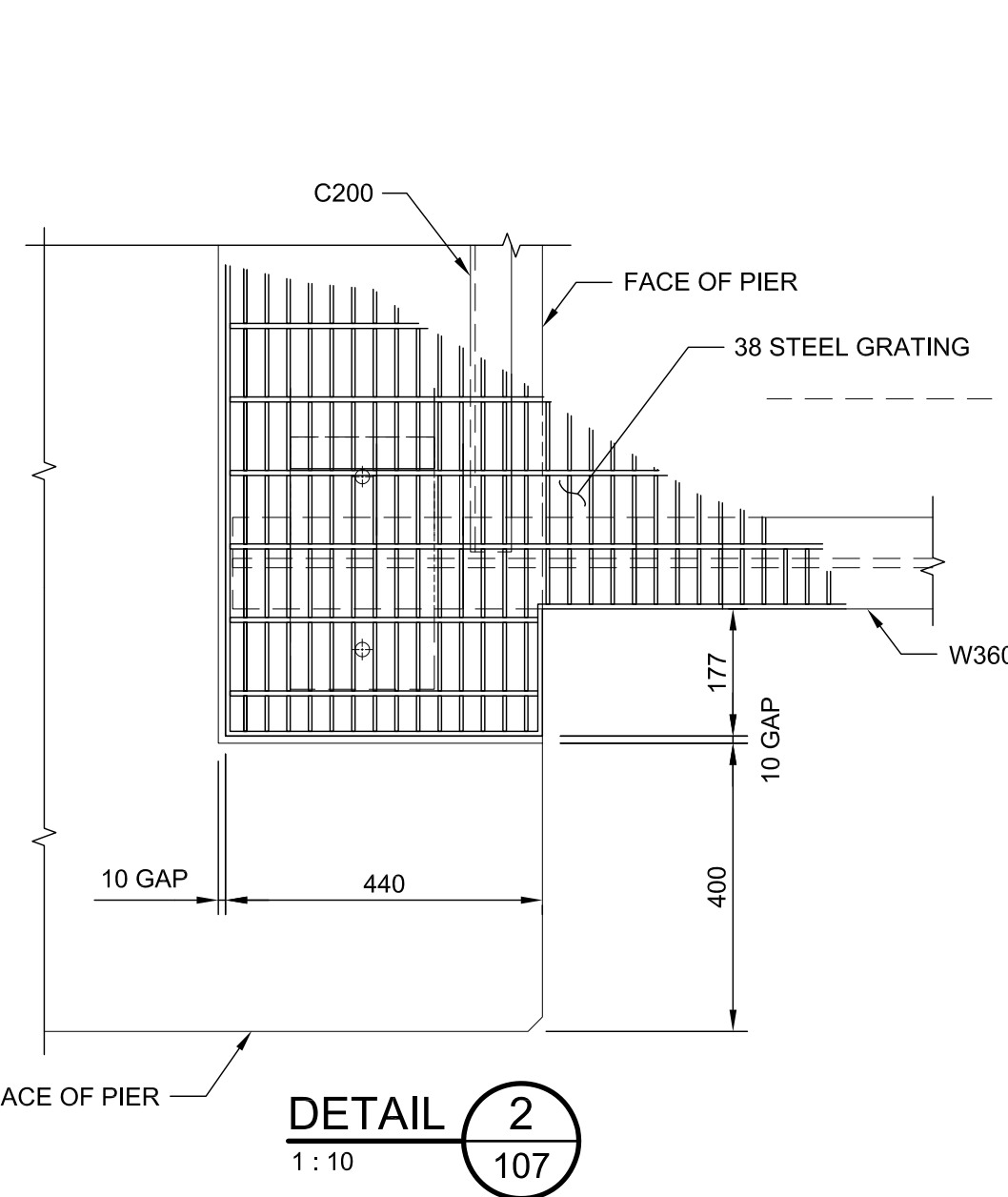
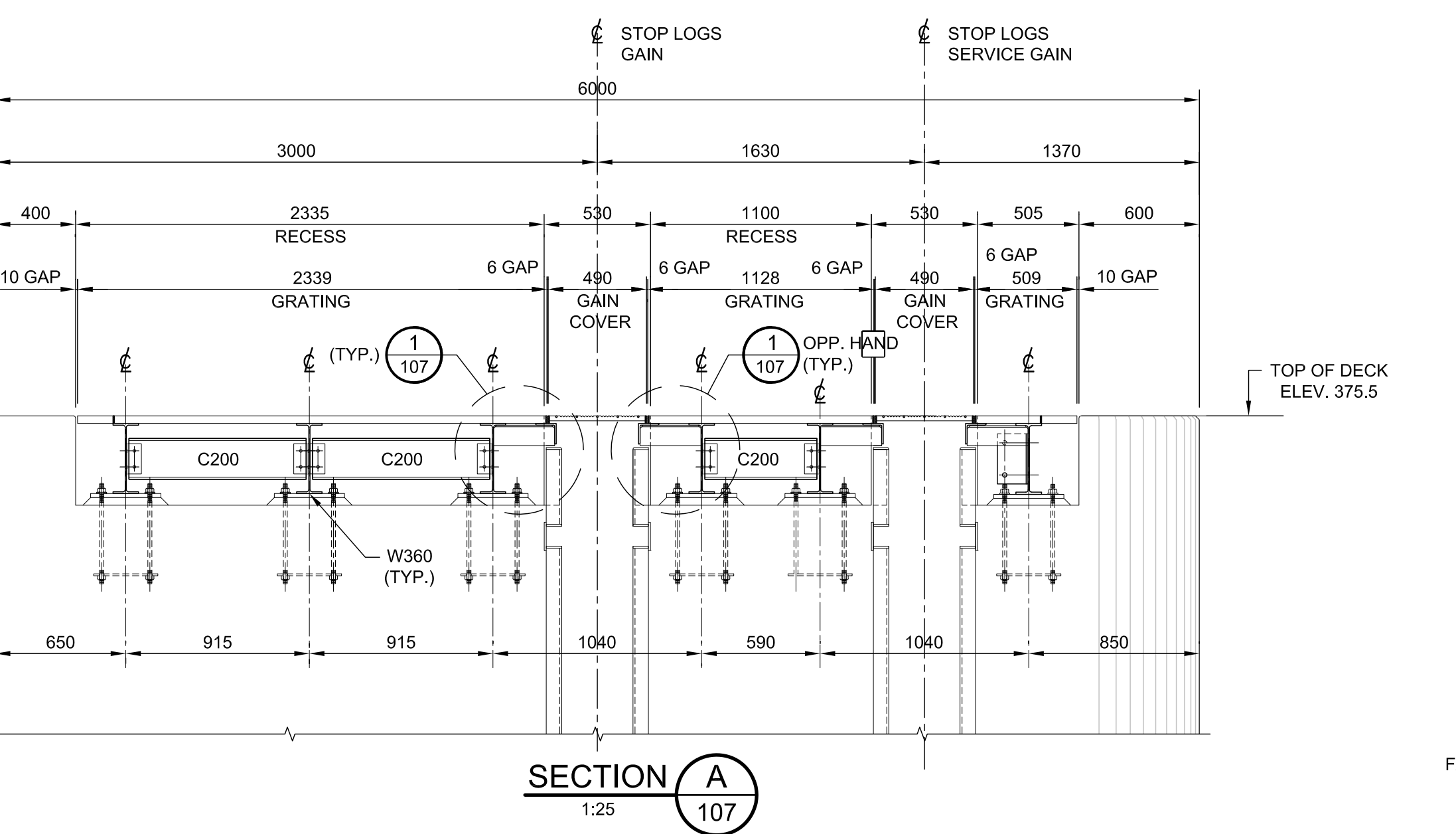
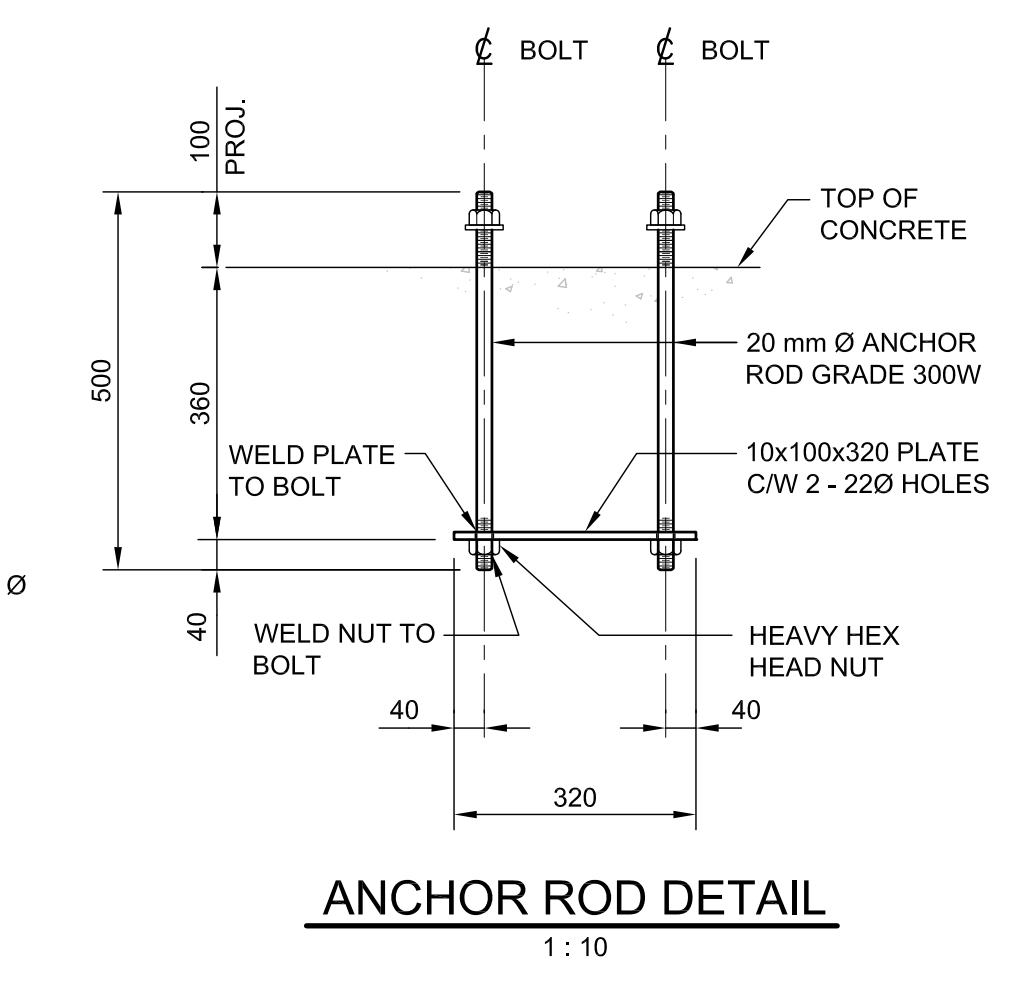
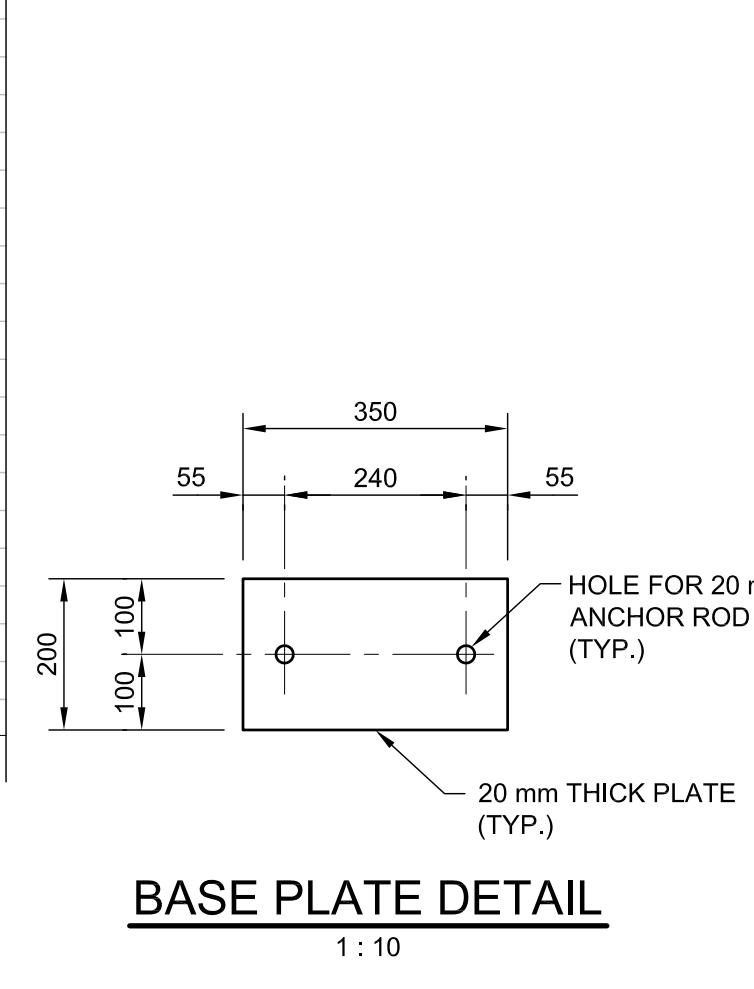
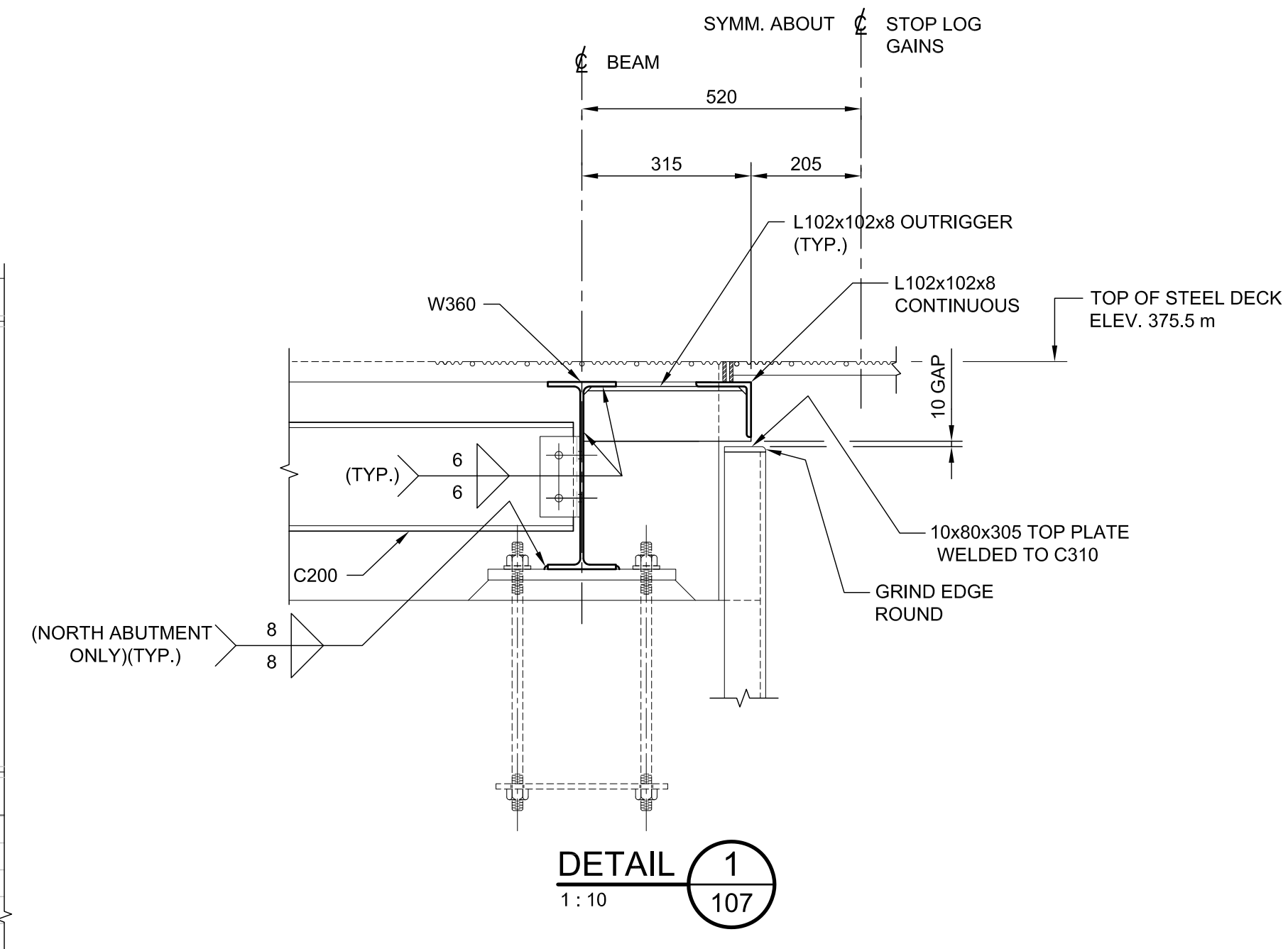
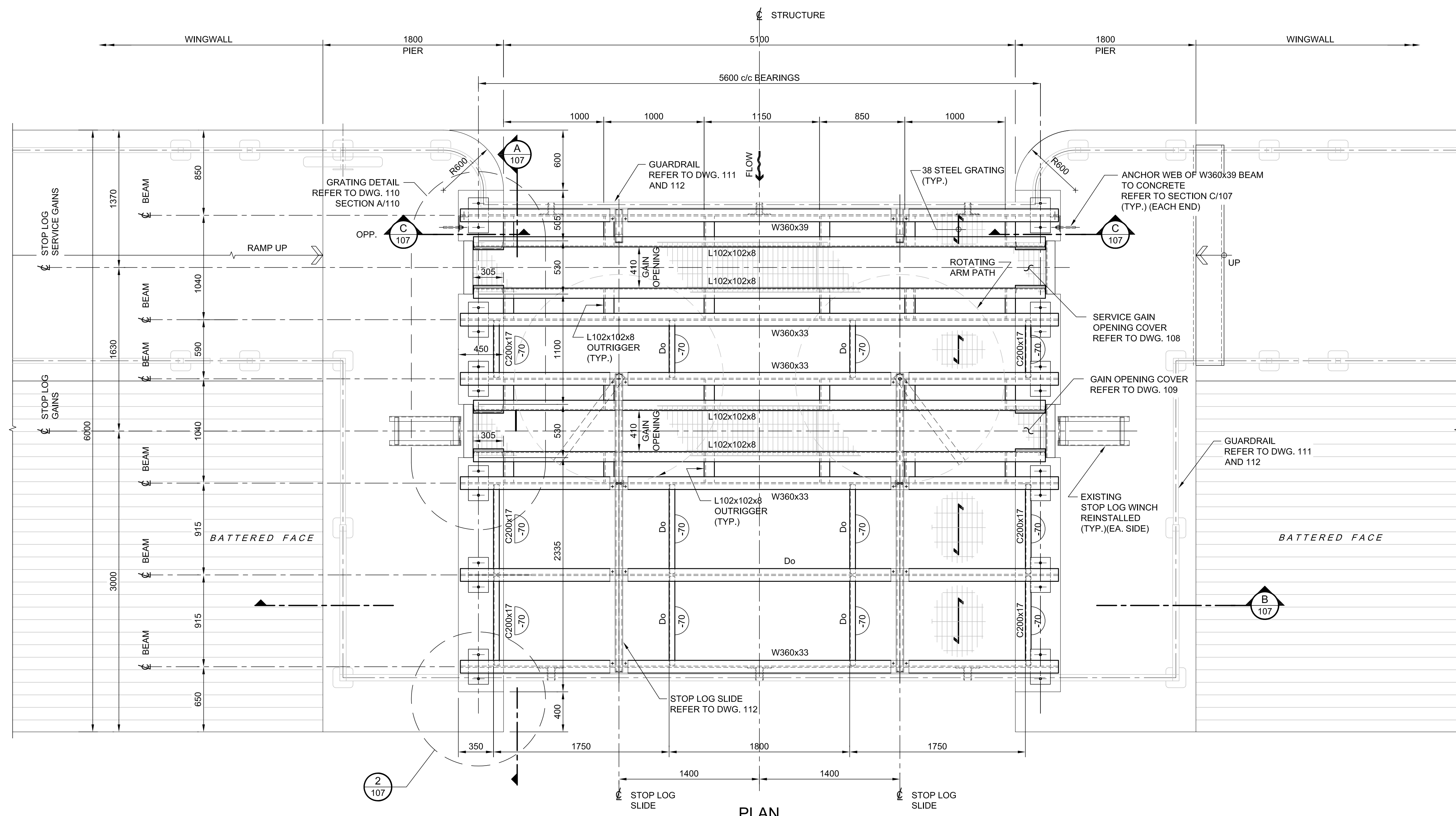
Revision / Révision

Do not scale drawings. Verify all dimensions and conditions on site and immediately notify the Departmental Representative of all discrepancies.	
A	A Detail number Numéro du détail
B	B Location dwg. number Numéro sur dessin

KENNISIS LAKE DAM REPLACEMENT

CONCRETE REINFORCING, UPPER STRUCTURE DETAILS

Drawn by / Dessiné par HENRYK CHRZANOWSKI / DAVID ROWAN	Designed by / Conçu par CZESLAW CUDOWSKI
Approved by / Approuvé par LUC BERIAULT	Drawing Date / Date du dessin JULY 2014
Project manager / Administrateur de projet ATIF SUHAIL	
HCEW Number / Numéro de CHTI COTSW 14 - R9	Drawing Number / Numéro du Dessin 106
Project Number / Numéro du projet R.065660.001	Sheet / Feuille 7 of 17



NOTE:
1. ALL STEEL SHALL BE HOT-DIP GALVANIZED UNLESS NOTED OTHERWISE.

No.	Description	Drawn By / Des. Par	Date
5.	FOR TENDER	C.C.	APR 22, 2015
4.	FOR CLIENT REVIEW 99%	C.C.	DEC 12, 2014
3.	DECK EXTENDED OVER SERVICE GAIN	C.C.	DEC 4, 2014
2.	FOR CLIENT REVIEW 95%	C.C.	DEC 1, 2014
1.	FOR CLIENT REVIEW 66%	C.C.	JULY 12, 2014

Revision / Révision	Description
A	Detail number / Numéro du détail
B	Location dwg. number / Numéro sur dessin

Project title / Titre du projet
KENNISIS LAKE DAM REPLACEMENT

Drawing title / Titre du dessin
STEEL DECK PLAN, SECTIONS AND DETAILS

Drawn by / Dessiné par
HENRYK CHRZANOWSKI

Designed by / Conçu par
CZESLAW CUDOWSKI

Approved by / Approuvé par
LUC BÉRIEAULT

Drawing Date / Date du dessin
JULY 2014

Project manager / Administrateur de projet
ATIF SUHAIL

HCEW Number / Numéro de CHT
COTSW 14 - R9

Drawing Number / Numéro du Dessin
107

Project Number / Numéro du projet
R.065660.001

Sheet / Feuille
8 of 17

- NOTE:**
1. ALL STEEL SHALL BE HOT-DIP GALVANIZED UNLESS NOTED OTHERWISE.
 2. PROVIDE 6.4x38 FLAT BAR BANDING ALL AROUND EACH GRATING PANEL PERIMETER.
 3. REFER TO SPECIFICATIONS FOR GRATING DETAILED DESCRIPTION AND PROPERTIES.

No.	Description	Drawn By / Dessiné Par	Date
4.	FOR TENDER	C.C.	APR 22, 2015
3.	FOR CLIENT REVIEW 99%	C.C.	DEC 12, 2014
2.	FOR CLIENT REVIEW 95%	C.C.	DEC 1, 2014
1.	FOR CLIENT REVIEW 66%	C.C.	JULY 12, 2014

Do not scale drawings. Verify all dimensions and conditions on site and immediately notify the Departmental Representative of all discrepancies.

Revision / Révision	
A	Detail number / Numéro du détail
B	Location dwg. number / Numéro sur dessin

Project title / Titre du projet

KENNISIS LAKE DAM REPLACEMENT

STOP LOG SERVICE GAIN COVER, PLAN AND DETAILS

Drawn by / Dessiné par HENRYK CHRZANOWSKI	Designed by / Conçu par CZESLAW CUDOWSKI
Approved by / Approuvé par LUC BERIAULT	Drawing Date / Date du dessin JUNE 2014

Project manager / Administrateur de projet
ATIF SUHAIL

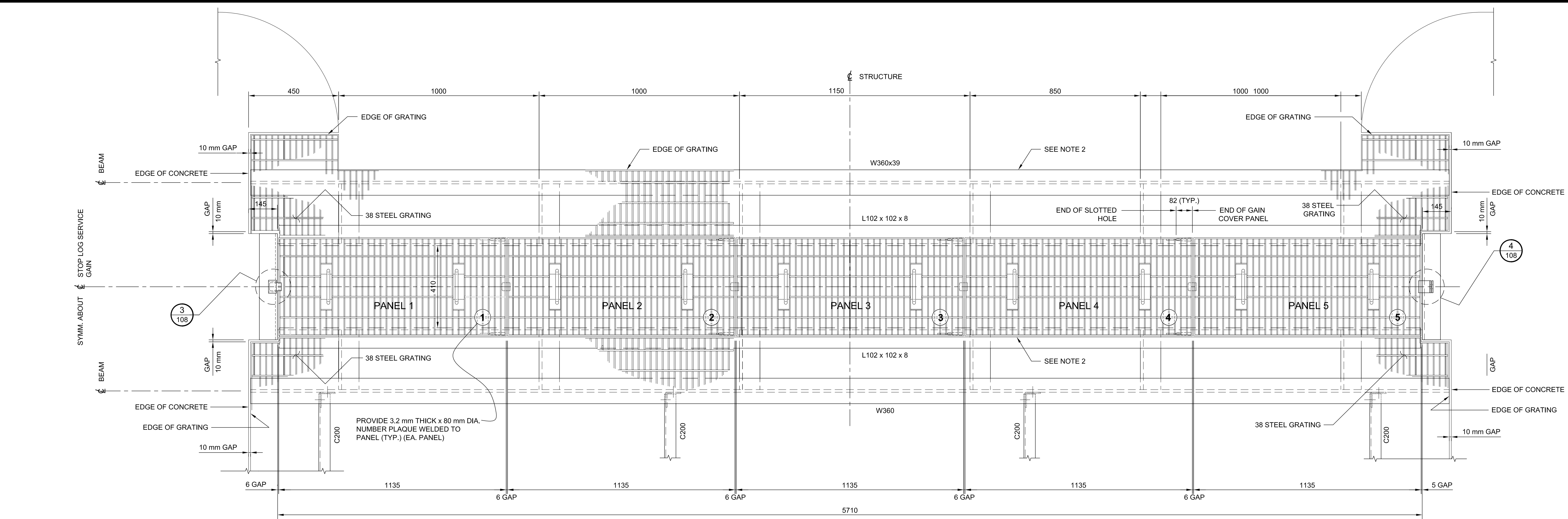
HCEW Number / Numéro de CHTI
COTSW 14 - R9

Project Number / Numéro du projet
R.065660.001

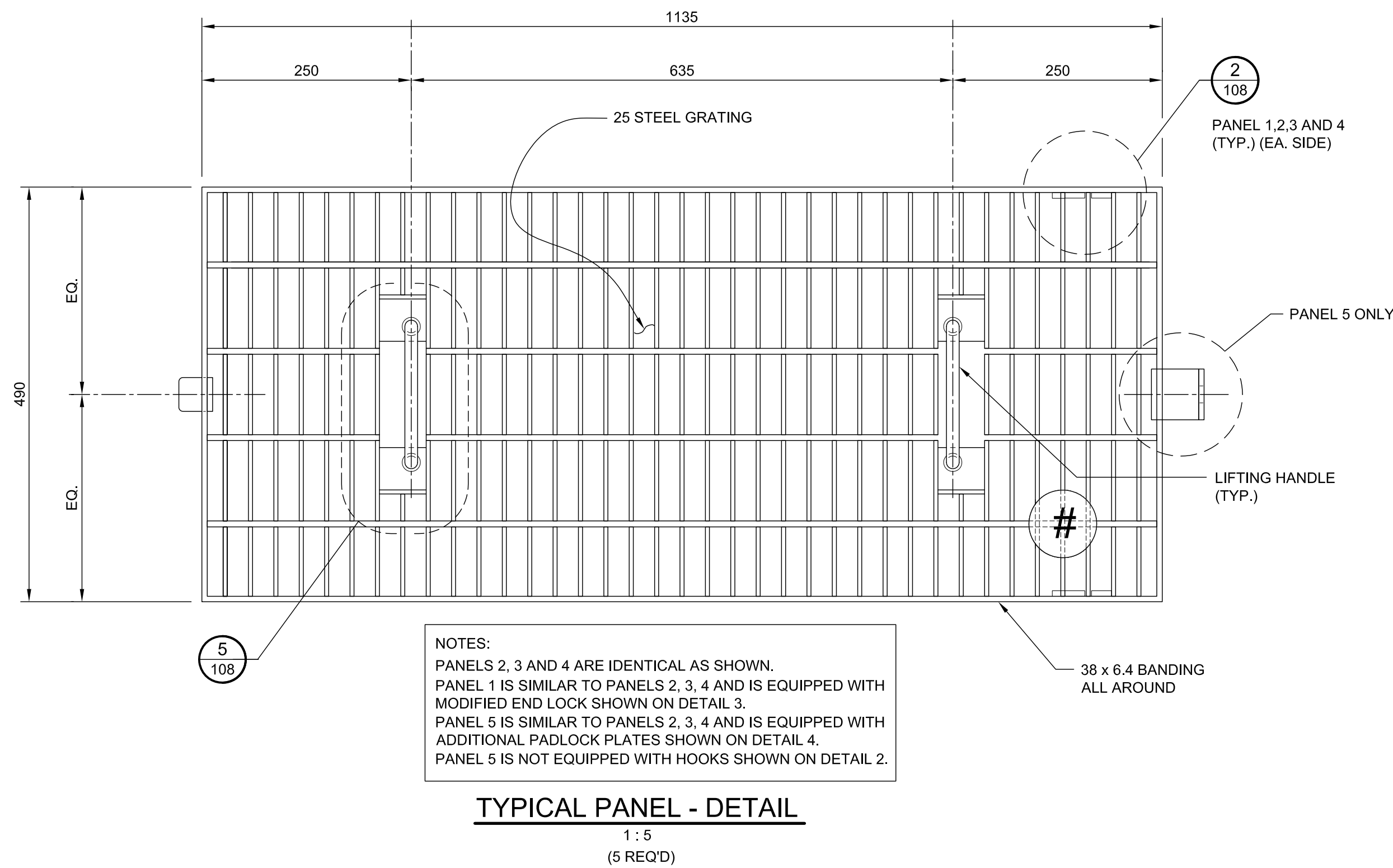
Drawing Number / Numéro du Dessin
108

Sheet / Feuille
9 of 17

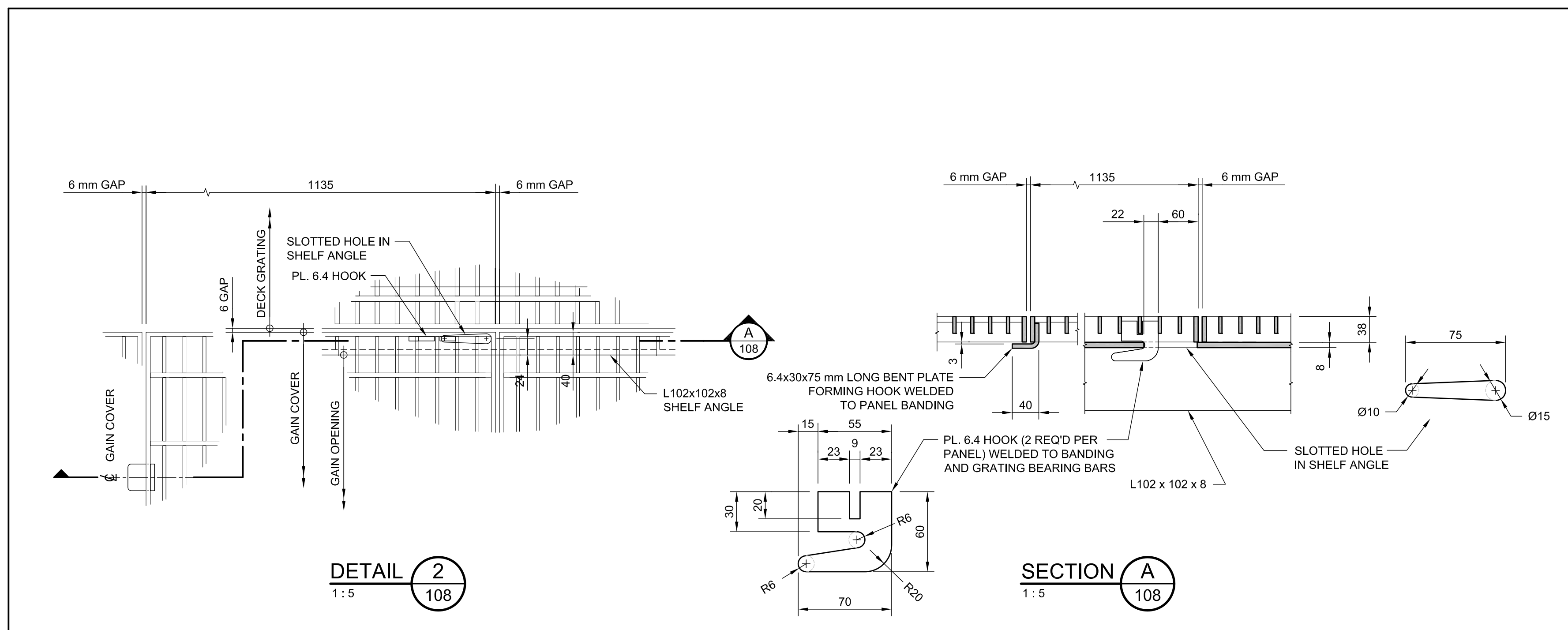
0 10 20 30 40 50 60 70 80 90 100 110 120 130 140 150 160 170 180 190 200 millimetres



STOP LOG SERVICE GAIN COVER PLAN
1:10

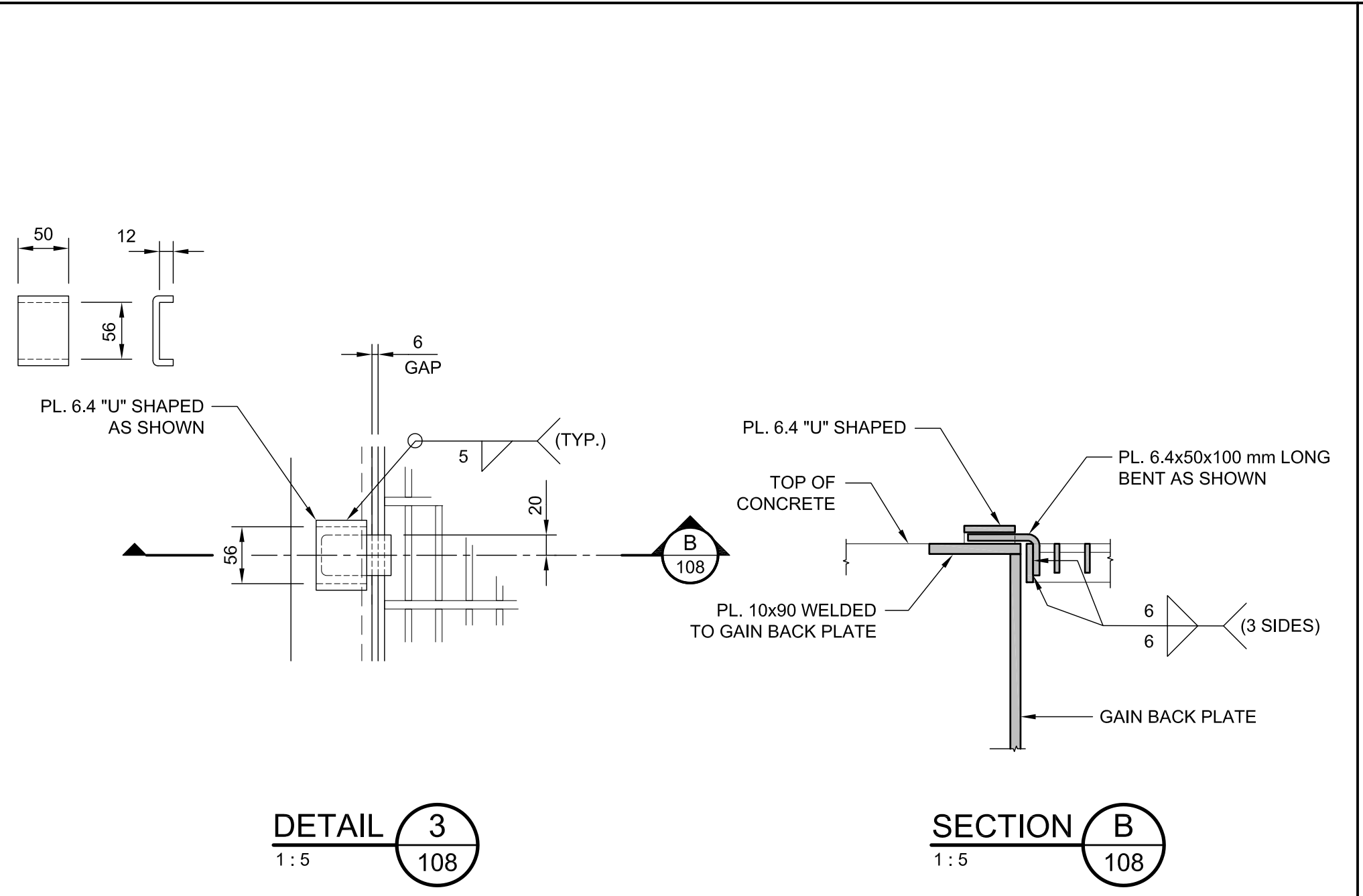


TYPICAL PANEL - DETAIL
1:5 (5 REQ'D)



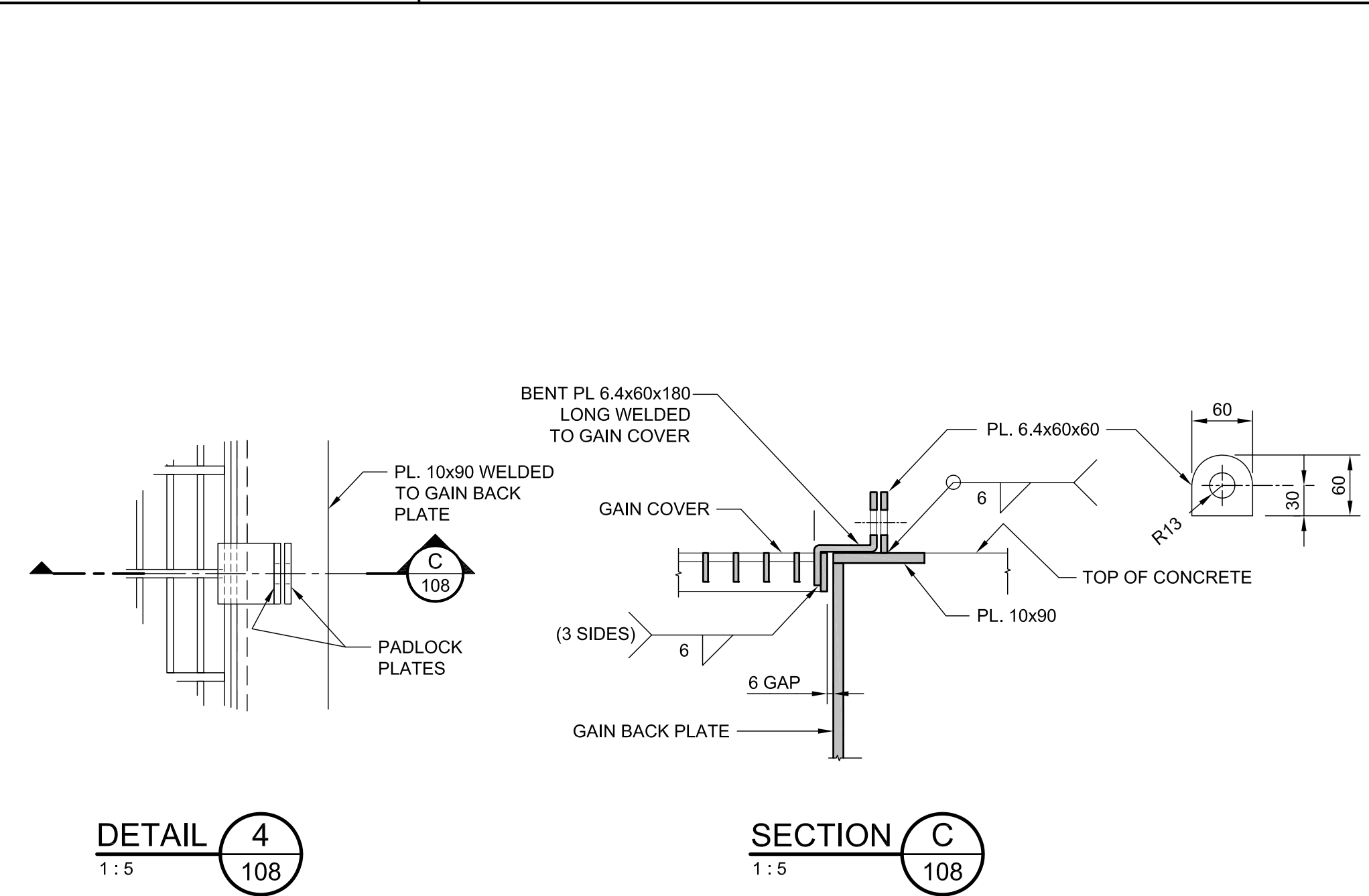
DETAIL 2
1:5

SECTION A
1:5



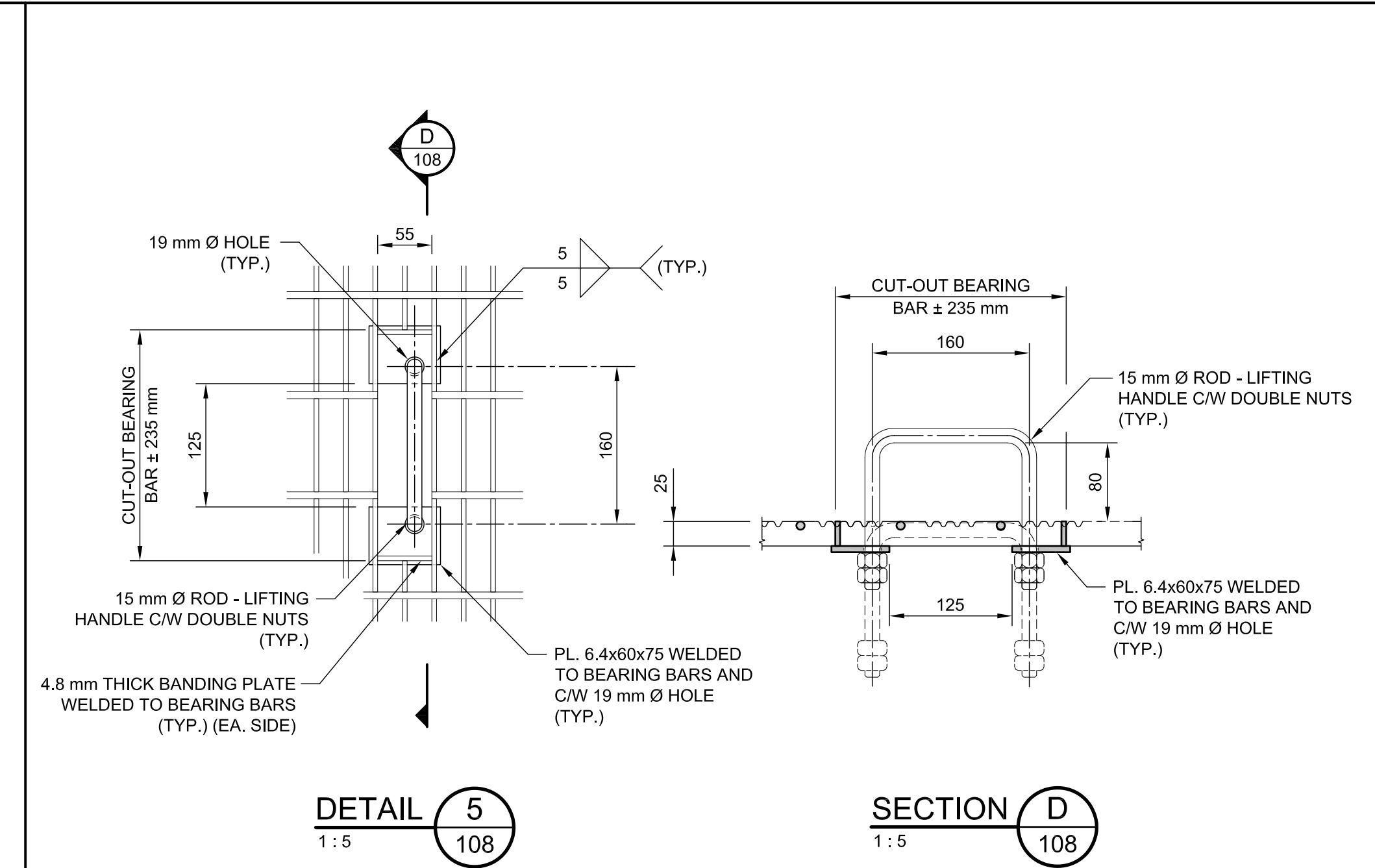
DETAIL 3
1:5

SECTION B
1:5



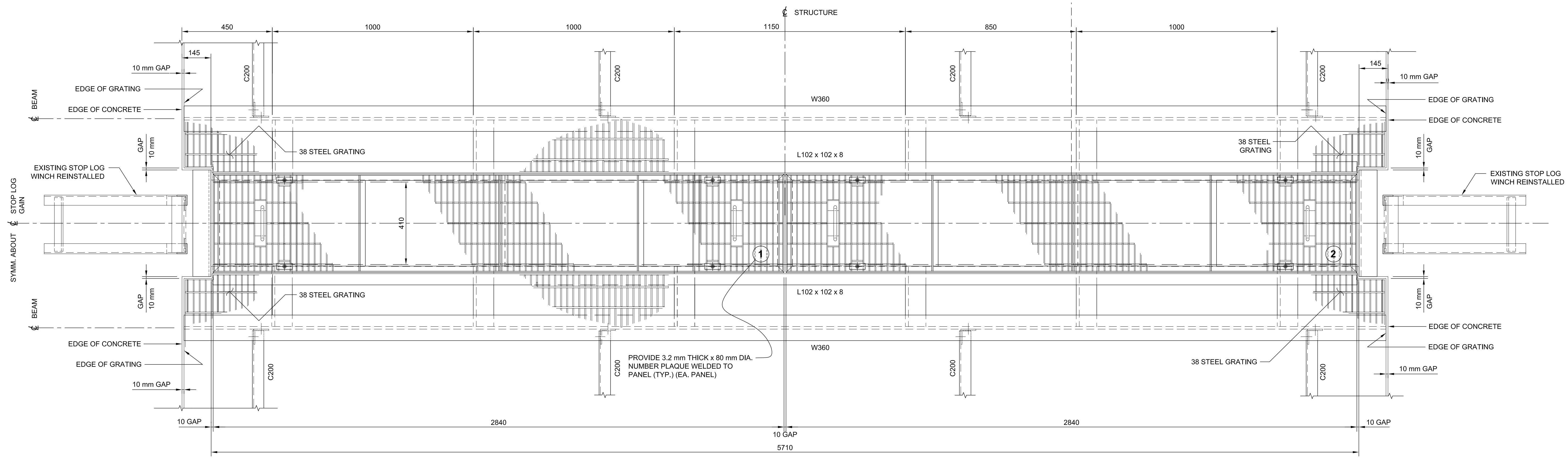
DETAIL 4
1:5

SECTION C
1:5

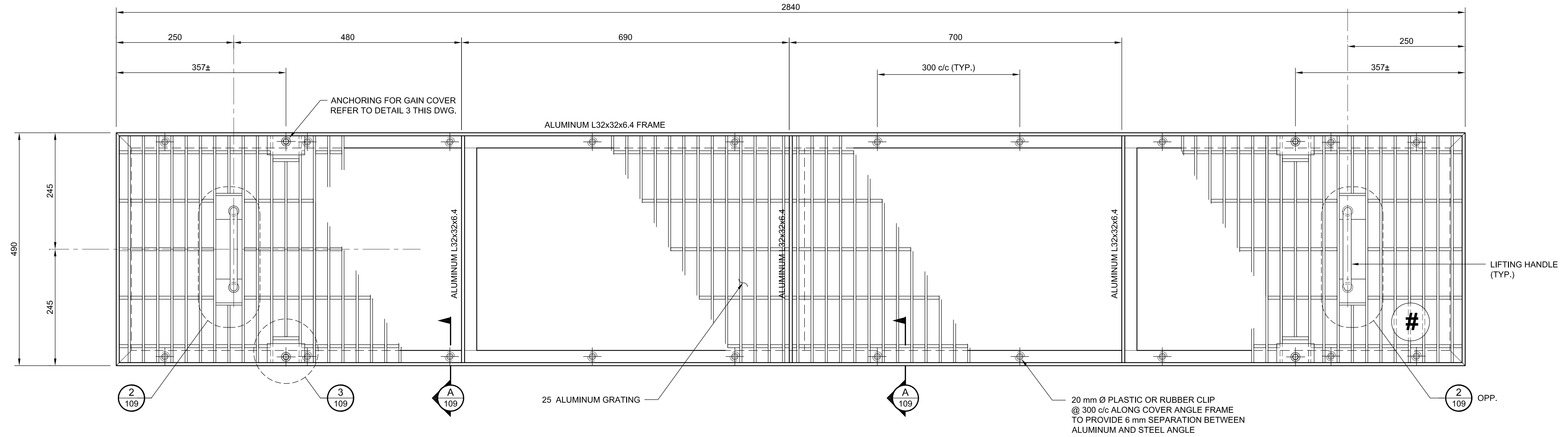


DETAIL 5
1:5

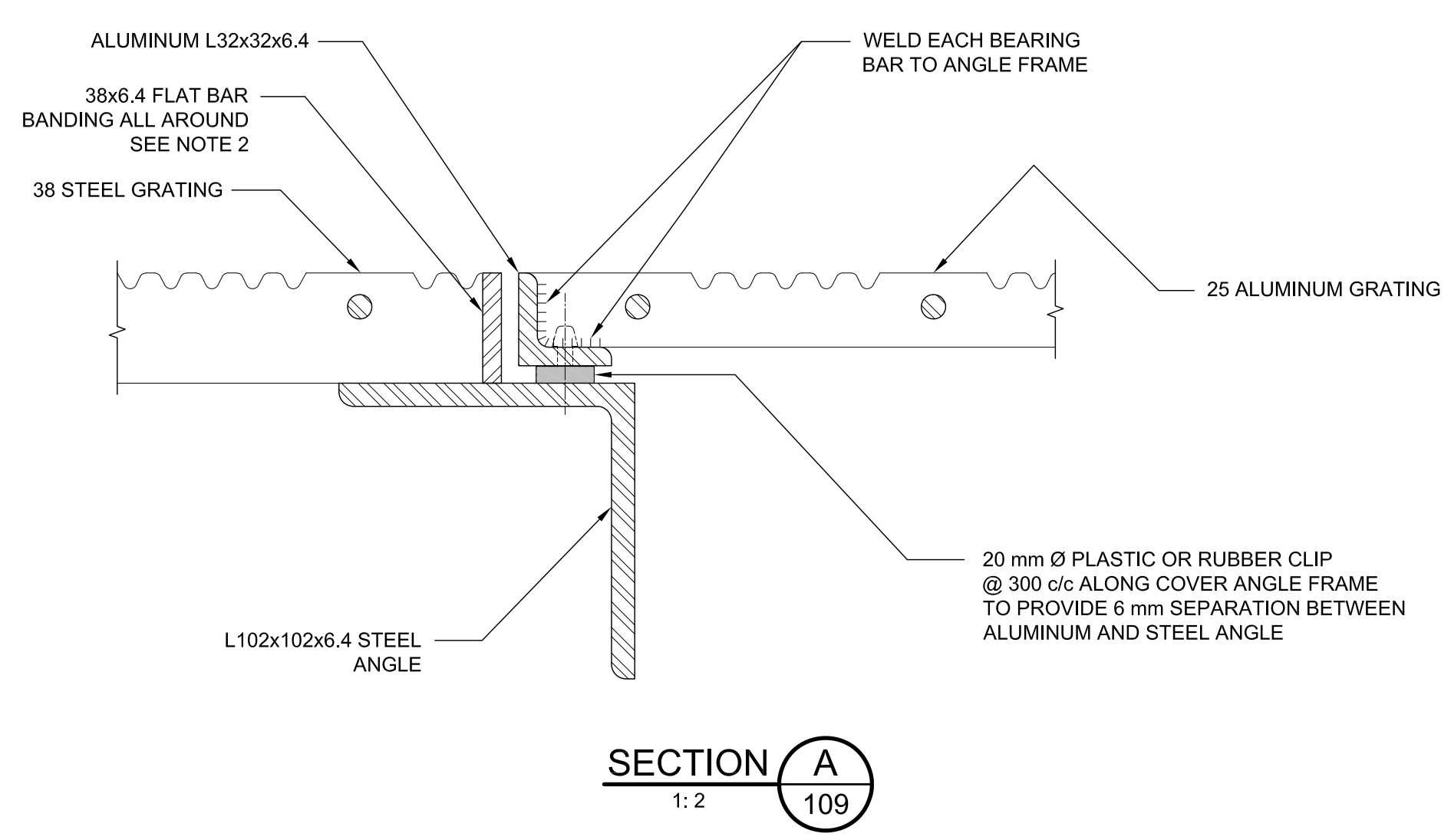
SECTION D
1:5



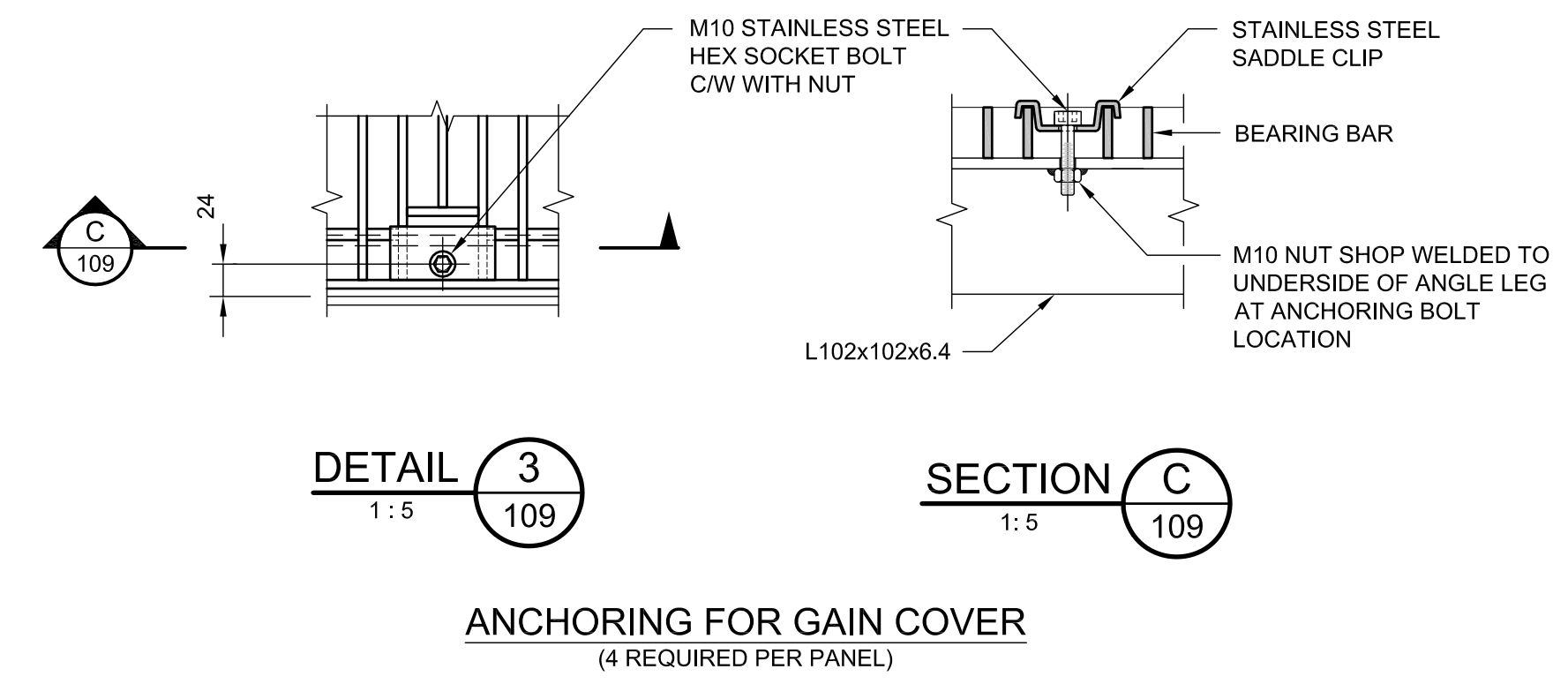
STOP LOG GAIN COVER PLAN
1:10



TYPICAL PANEL - DETAIL
1:5
(2 REQ'D)



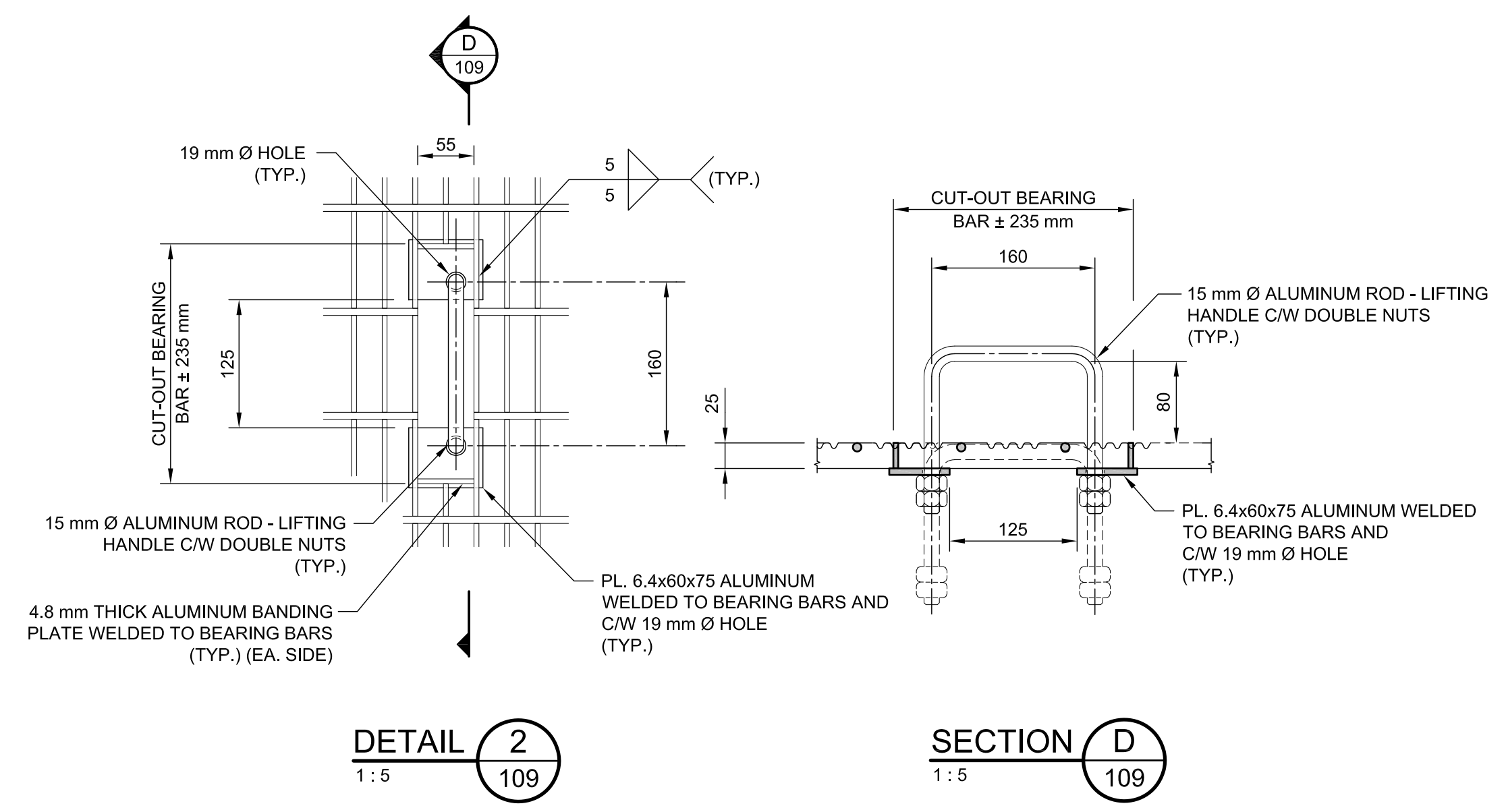
SECTION A
1:2



DETAIL 3
1:5

SECTION C
1:5

ANCHORING FOR GAIN COVER
(4 REQUIRED PER PANEL)



DETAIL 2
1:5

SECTION D
1:5

NOTE:

1. ALL STEEL SHALL BE HOT-DIP GALVANIZED UNLESS NOTED OTHERWISE.
2. PROVIDE 6.4x38 FLAT BAR BANDING ALL AROUND EACH GRATING PANEL PERIMETER.
3. REFER TO SPECIFICATIONS FOR GRATING DETAILED DESCRIPTION AND PROPERTIES.

No.	Description	Drawn By / Des. Par	Date
2.	FOR TENDER	C.C.	APR 22, 2015
1.	FOR CLIENT REVIEW 99%	C.C.	DEC 12, 2014

Revision / Révision

Do not scale drawings. Verify all dimensions and conditions on site and immediately notify the Departmental Representative of all discrepancies.

A Detail number / Numéro du détail
B Location dwg. number / Numéro sur dessin

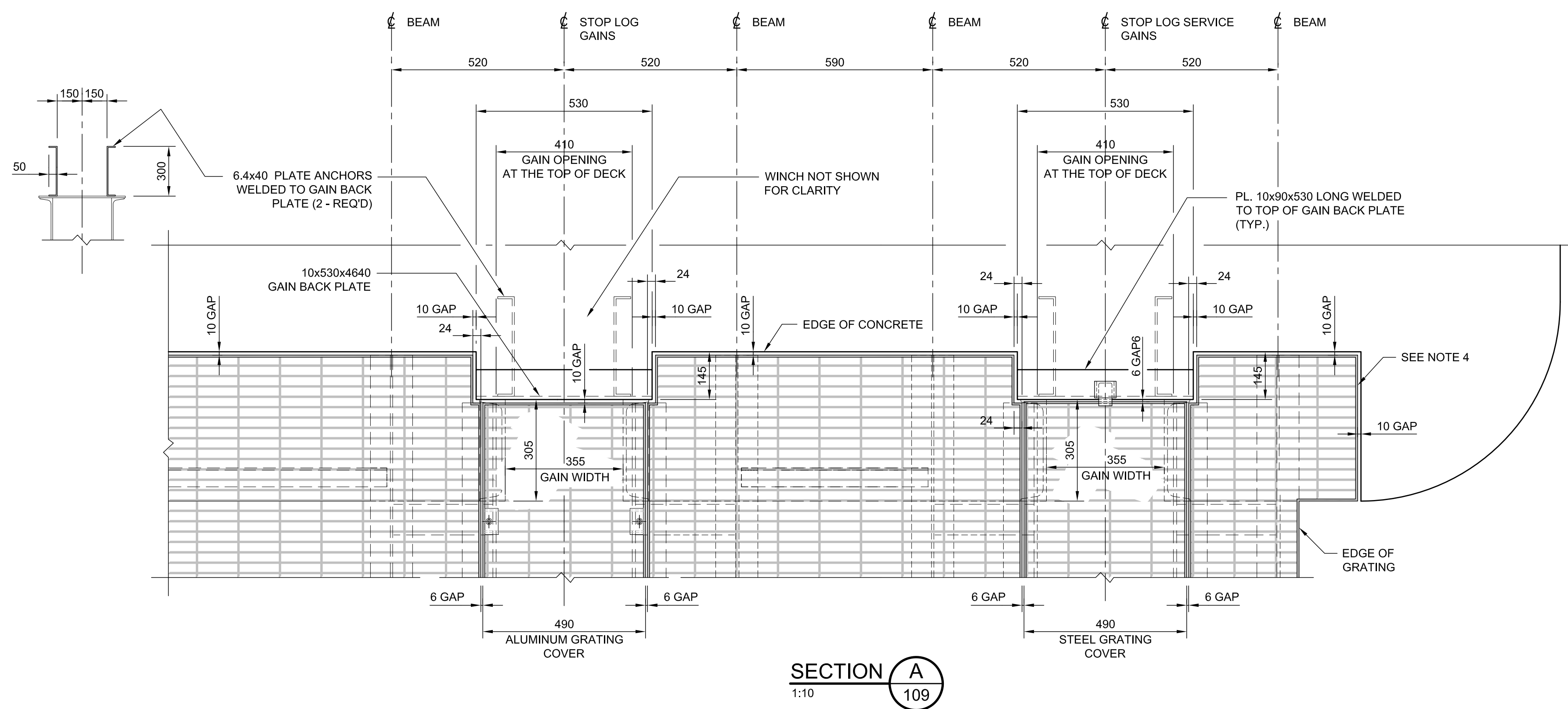
Project title / Titre du projet

KENNISIS LAKE DAM REPLACEMENT

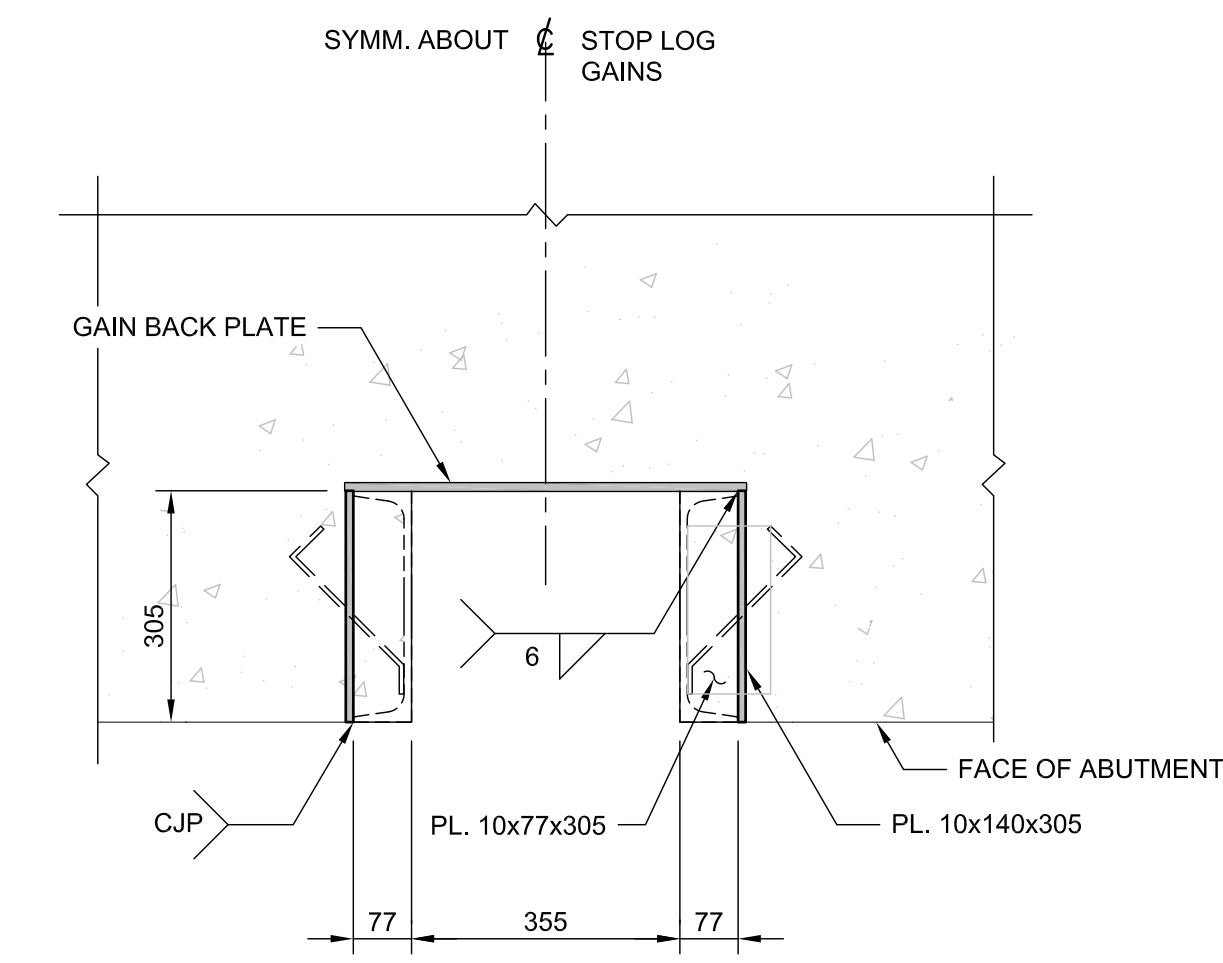
Drawing title / Titre du dessin

STOP LOG MAIN GAIN COVER PLAN AND DETAILS

Drawn by / Dessiné par HENRYK CHRZANOWSKI	Designed by / Conçu par CZESLAW CUDOWSKI
Approved by / Approuvé par LUC BERIAULT	Drawing Date / Date du dessin JUNE 2014
Project manager / Administrateur de projet ATIF SUHAIL	
HCEW Number / Numéro de CHTI COTSW 14 - R9	Drawing Number / Numéro du Dessin 109
Project Number / Numéro du projet R.065660.001	Sheet / Feuille 10 of 17

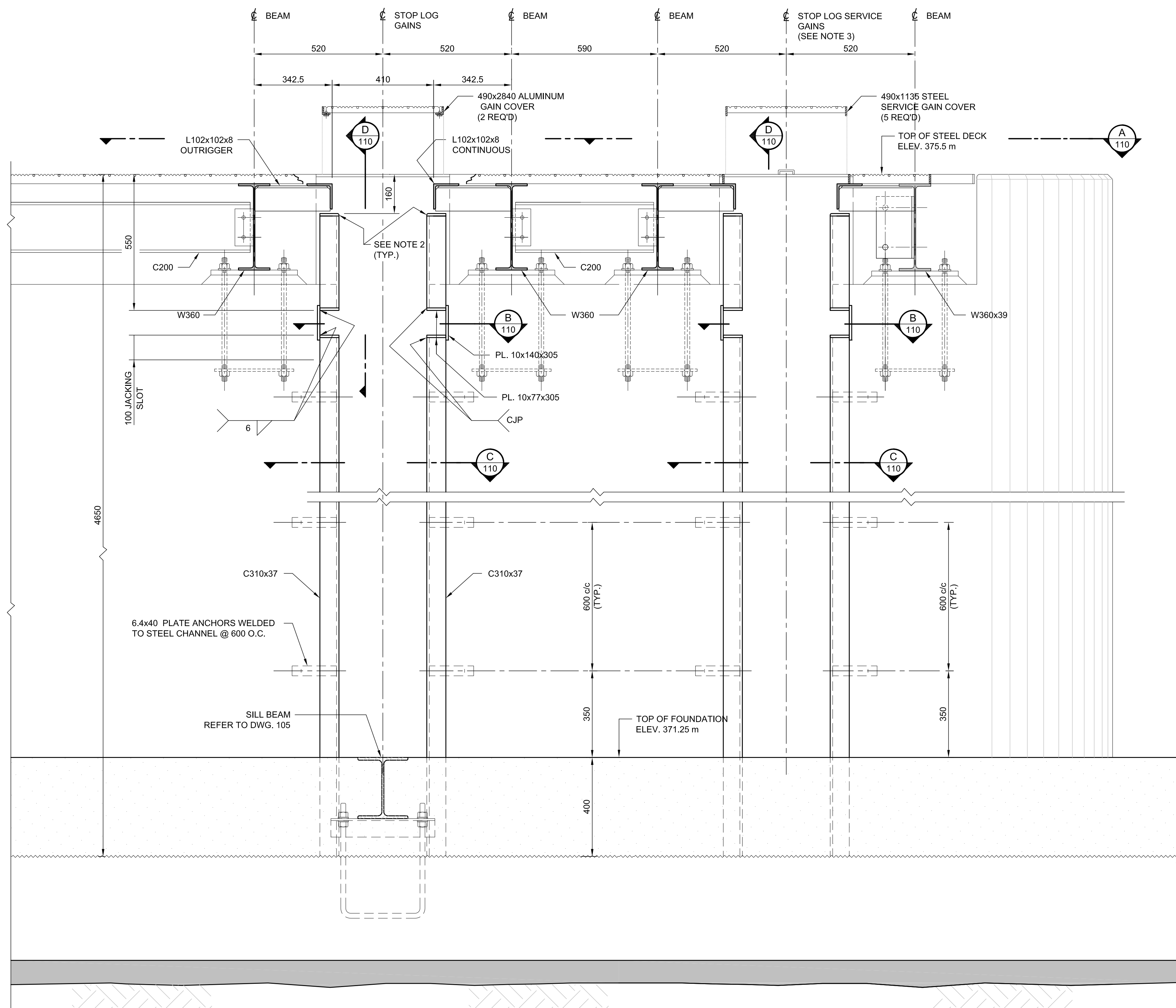


SECTION A
1:10

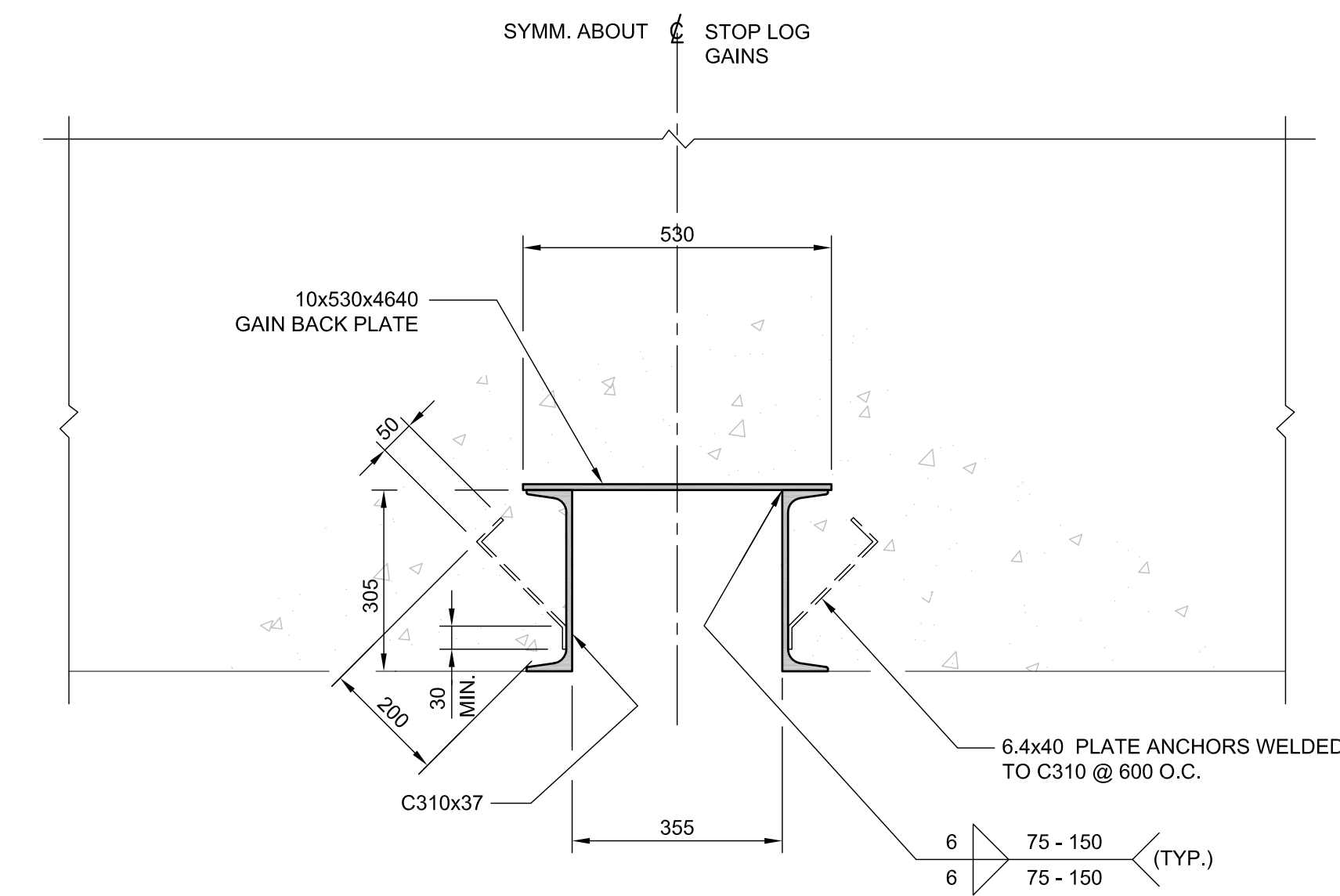


SECTION B
1:10

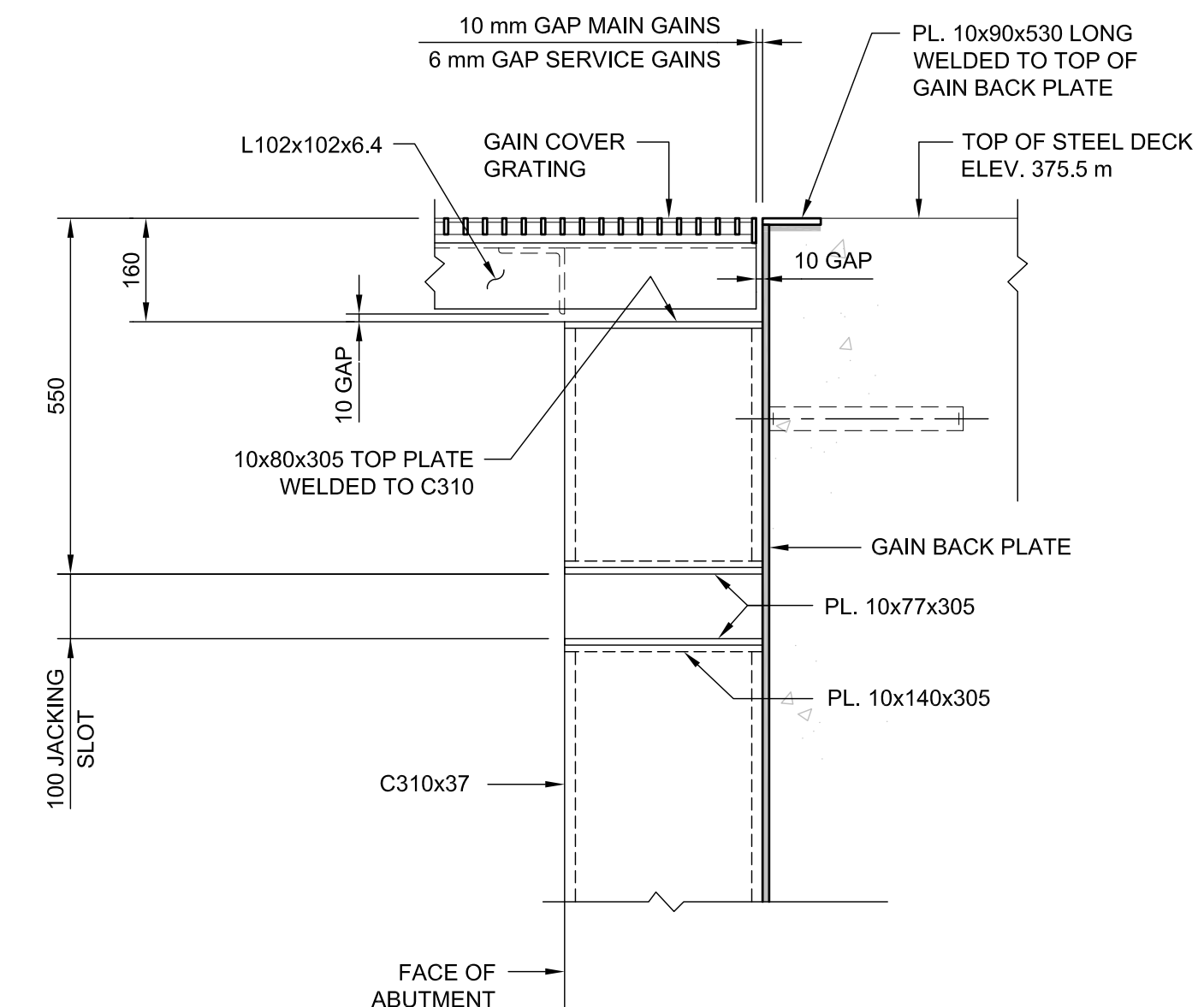
- NOTE:
1. ALL STEEL SHALL BE HOT-DIP GALVANIZED UNLESS NOTED OTHERWISE.
 2. GRIND EDGE OF STEEL PLATE ROUND.
 3. CONSTRUCTION DETAILS OF SERVICE GAINS ARE THE SAME AS MAIN GAINS EXCEPT SILL BEAM AND GAIN COVER.
 4. PROVIDE 6.4x38 FLAT BAR BANDING ALL AROUND EACH GRATING PANEL PERIMETER.



STOP LOG GAINS - ELEVATION
1:10



SECTION C
1:10



SECTION D
1:10

No.	Description	Des.By / Des.Par	Date
4.	FOR TENDER	C.C.	APR 22, 2015
3.	FOR CLIENT REVIEW 99%	C.C.	DEC 12, 2014
2.	FOR CLIENT REVIEW 95%	C.C.	DEC 1, 2014
1.	FOR CLIENT REVIEW 66%	C.C.	JULY 12, 2014

Revision / Révision

Do not scale drawings.
Verify all dimensions and conditions on site and immediately notify the Departmental Representative of all discrepancies.

A	A Detail number Numéro du détail
B	B Location dwg. number Numéro sur dessin

Project title / Titre du projet

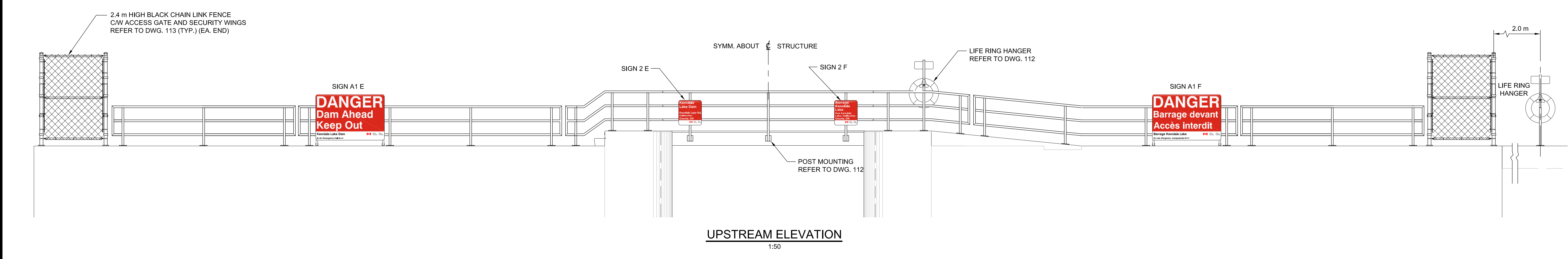
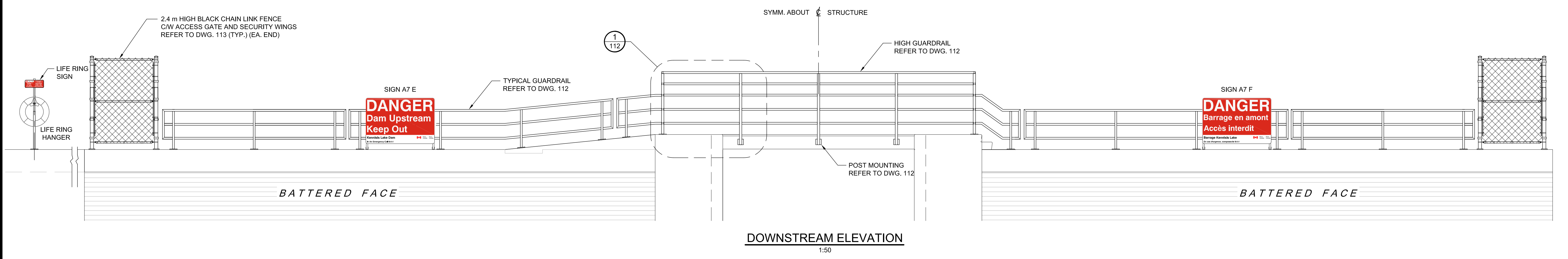
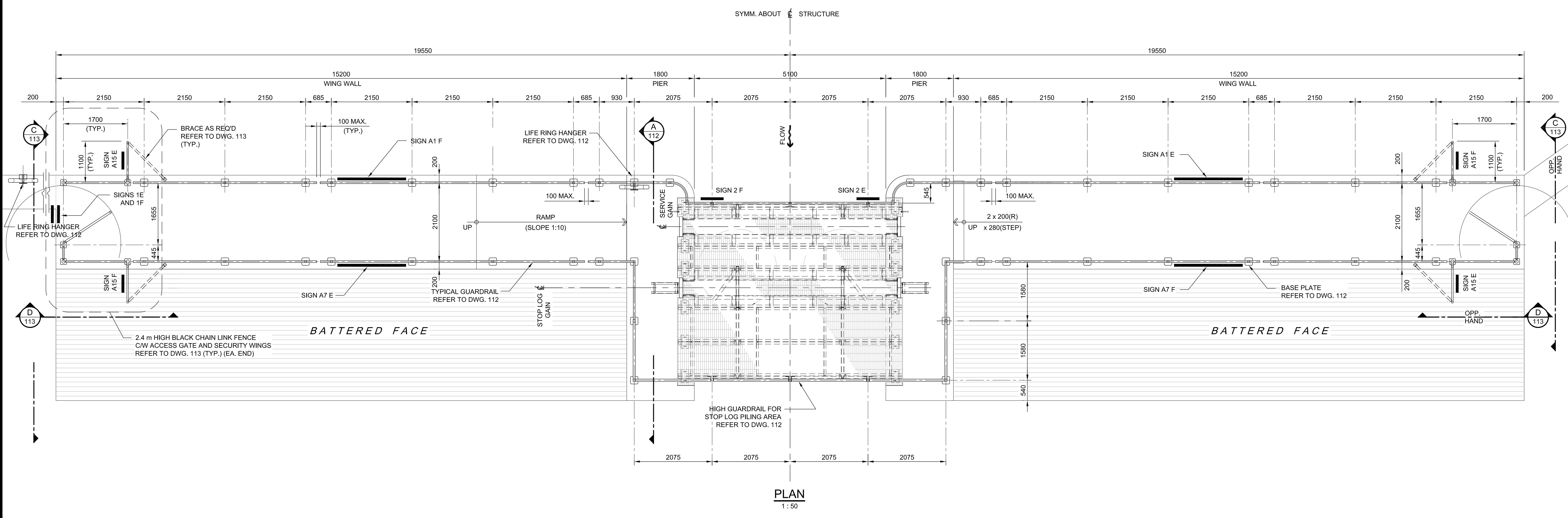
KENNIS LAKES DAM
REPLACEMENT

Drawing title / Titre du dessin

STOP LOG GAINS DETAILS

Drawn by / Dessiné par HENRYK CHRZANOWSKI	Designed by / Conçu par CZESLAW CUDOWSKI
Approved by / Approuvé par LUC BERIAULT	Drawing Date / Date du dessin JULY 2014

Project manager / Administrateur de projet ATIF SUHAIL	HCEW Number / Numéro de CHW COTSW 14 - R9	Drawing Number / Numéro du Dessin 110
Project Number / Numéro du projet R.065660.001	Sheet Feuille 11 of 17	



NOTE:
1. ALL STEEL SHALL BE HOT-DIP GALVANIZED UNLESS NOTED OTHERWISE.

No.	Description	Des.By / Des.Par	Date
4.	FOR TENDER	C.C.	APR 22, 2015
3.	FOR CLIENT REVIEW 99%	C.C.	DEC 12, 2014
2.	FOR CLIENT REVIEW 95%	C.C.	DEC 1, 2014
1.	FOR CLIENT REVIEW 66%	C.C.	JULY 12, 2014

Do not scale drawings. Verify all dimensions and conditions on site and immediately notify the Departmental Representative of all discrepancies.

Revision / Révision	
A	Detail number / Numéro du détail
B	Location dwg. number / Numéro sur dessin

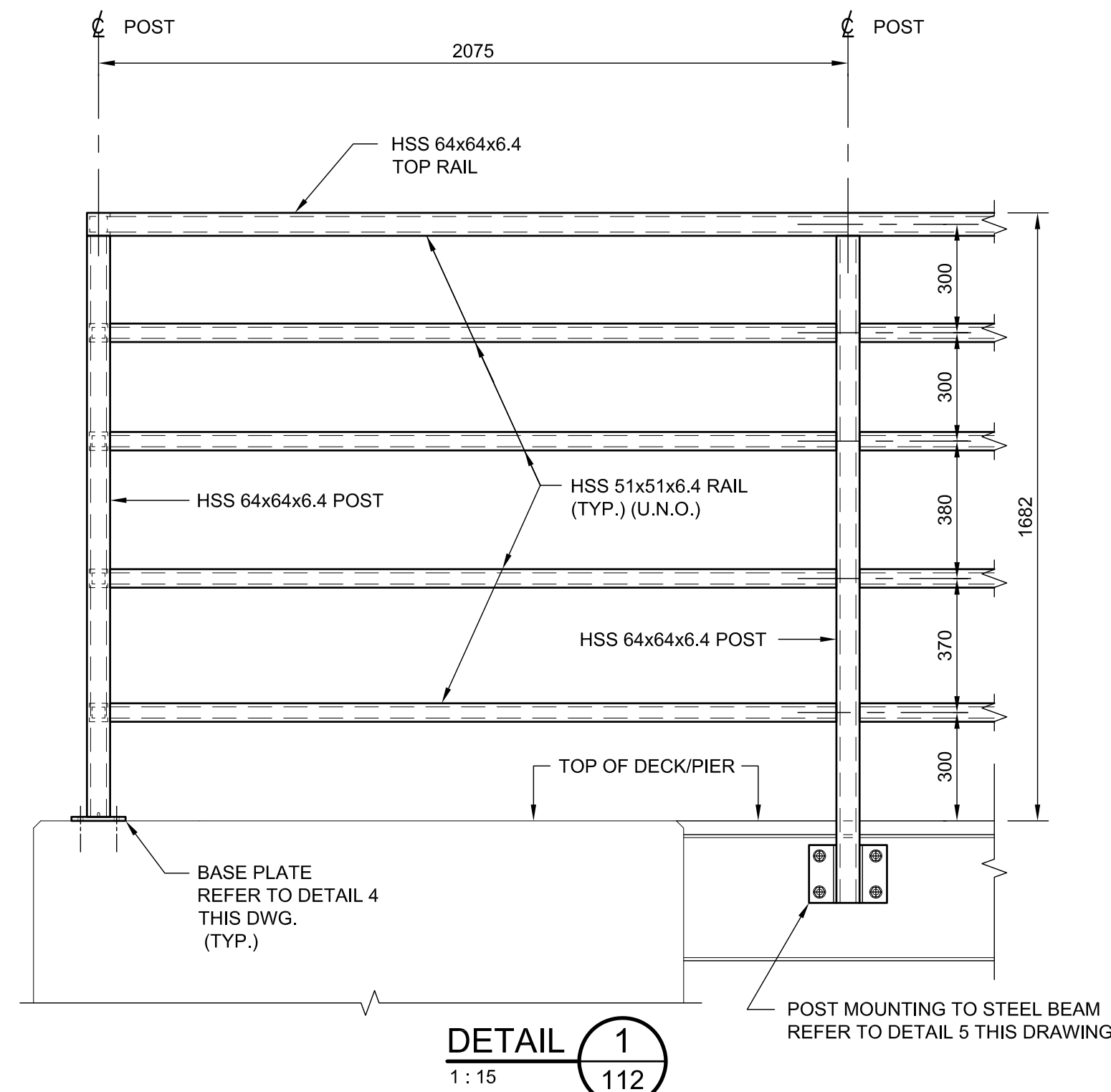
Project title / Titre du projet

KENNISIS LAKE DAM REPLACEMENT

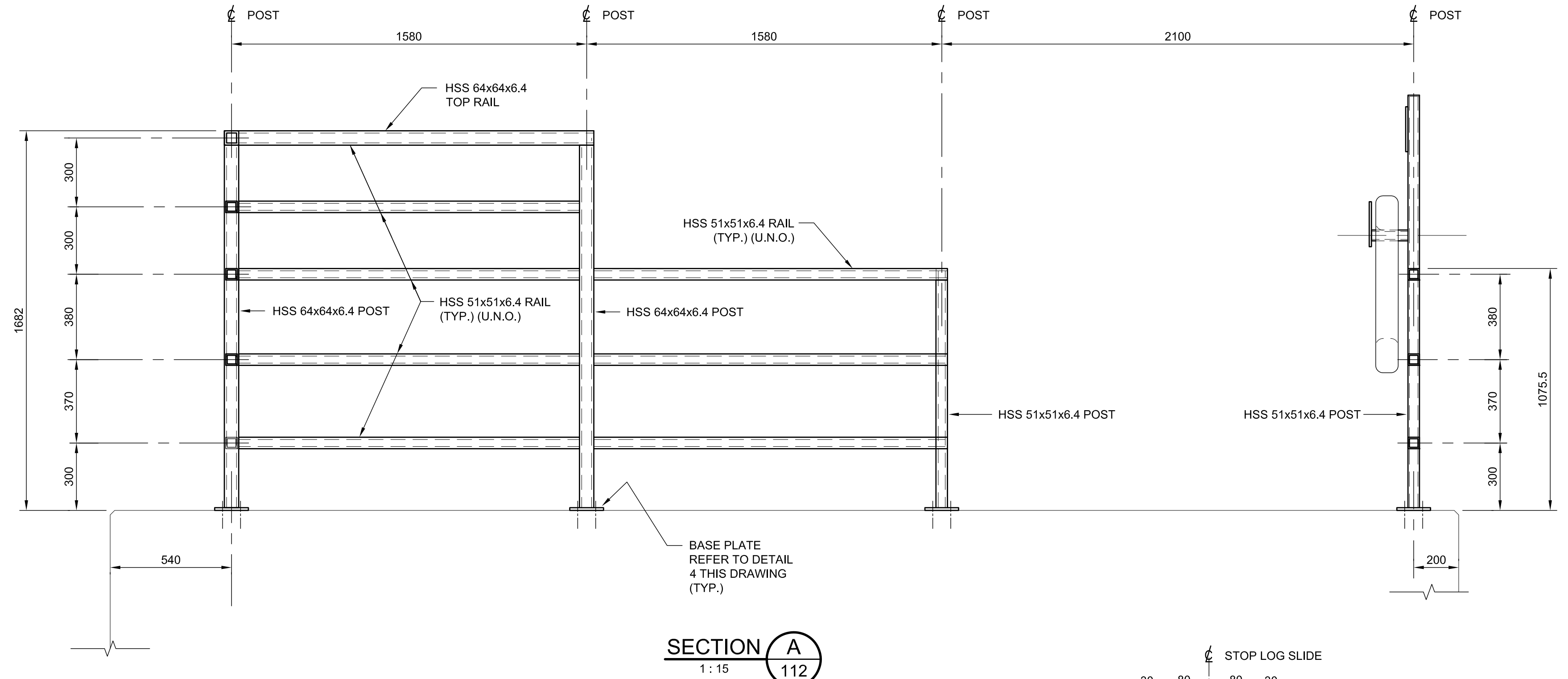
Drawing title / Titre du dessin

GUARDRAIL DETAILS I

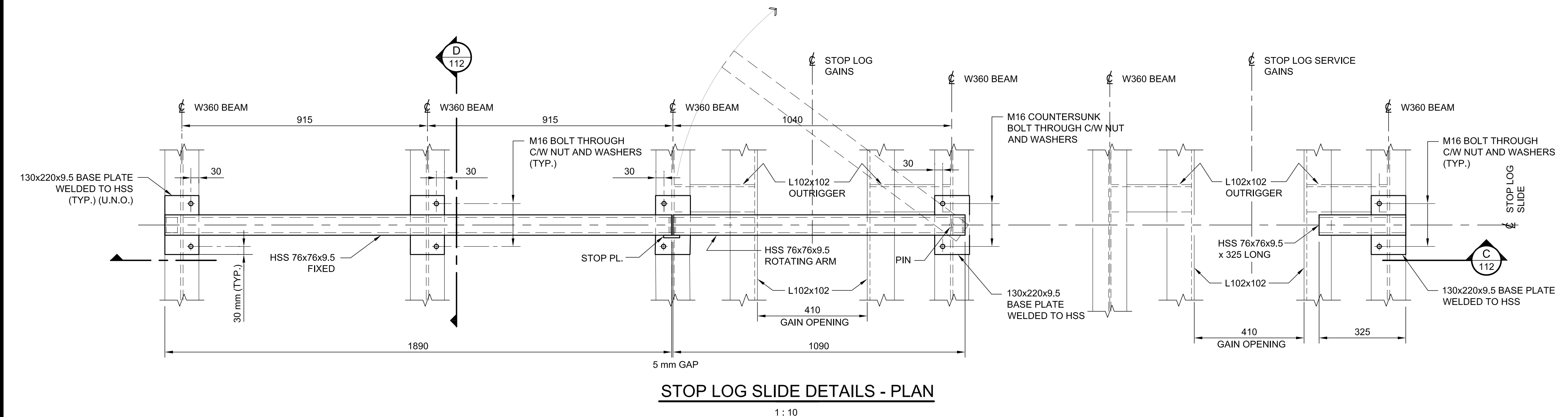
Drawn by / Dessiné par HENRYK CHRZANOWSKI	Designed by / Conçu par CZESLAW CUDOWSKI
Approved by / Approuvé par LUC BERIAULT	Drawing Date / Date du dessin JULY 2014
Project manager / Administrateur de projet ATIF SUHAIL	
HCEW Number / Numéro de CHTI COTSW 14 - R9	Drawing Number / Numéro du Dessin 111
Project Number / Numéro du projet R.065660.001	Sheet / Feuille 12 of 17



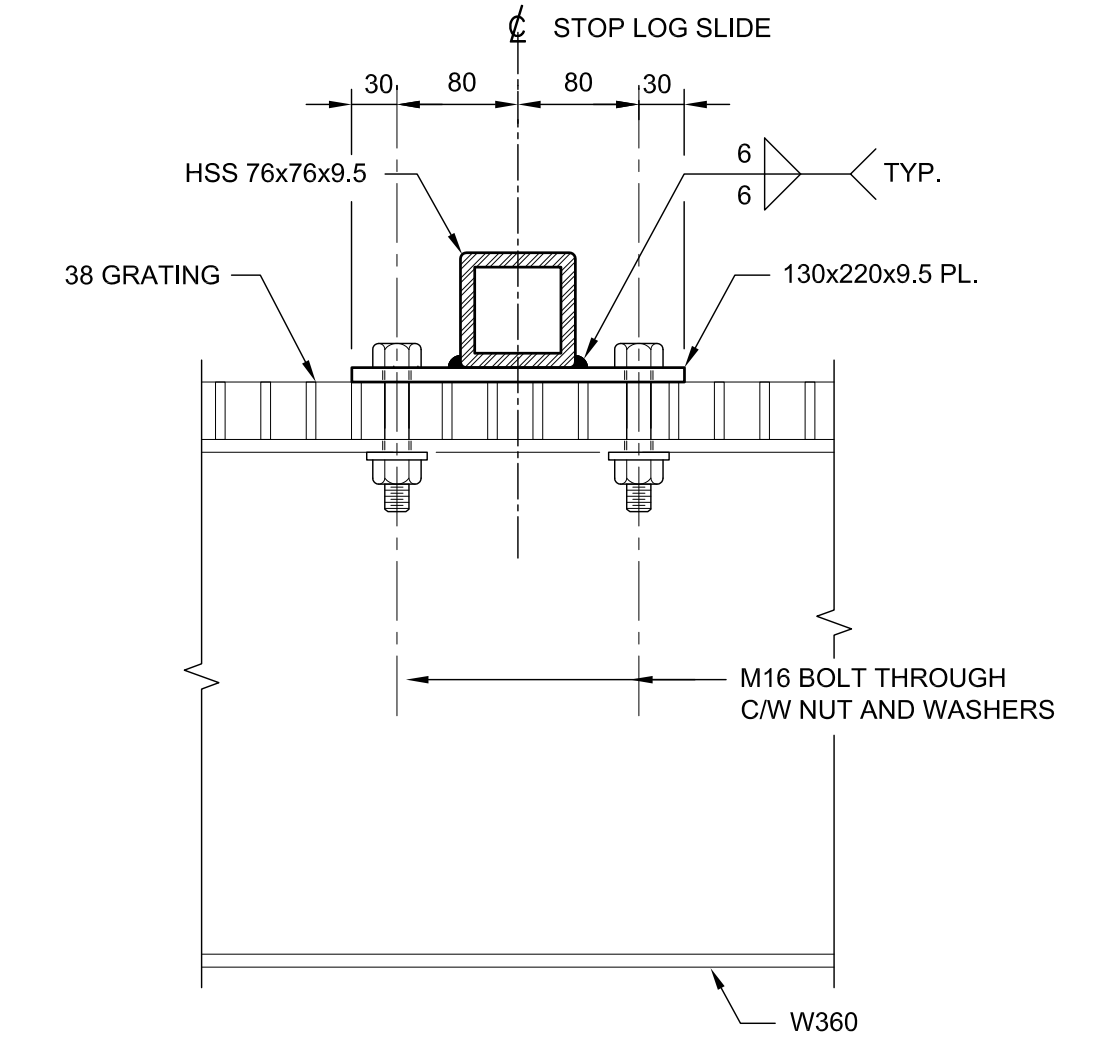
DETAIL 1
1:15



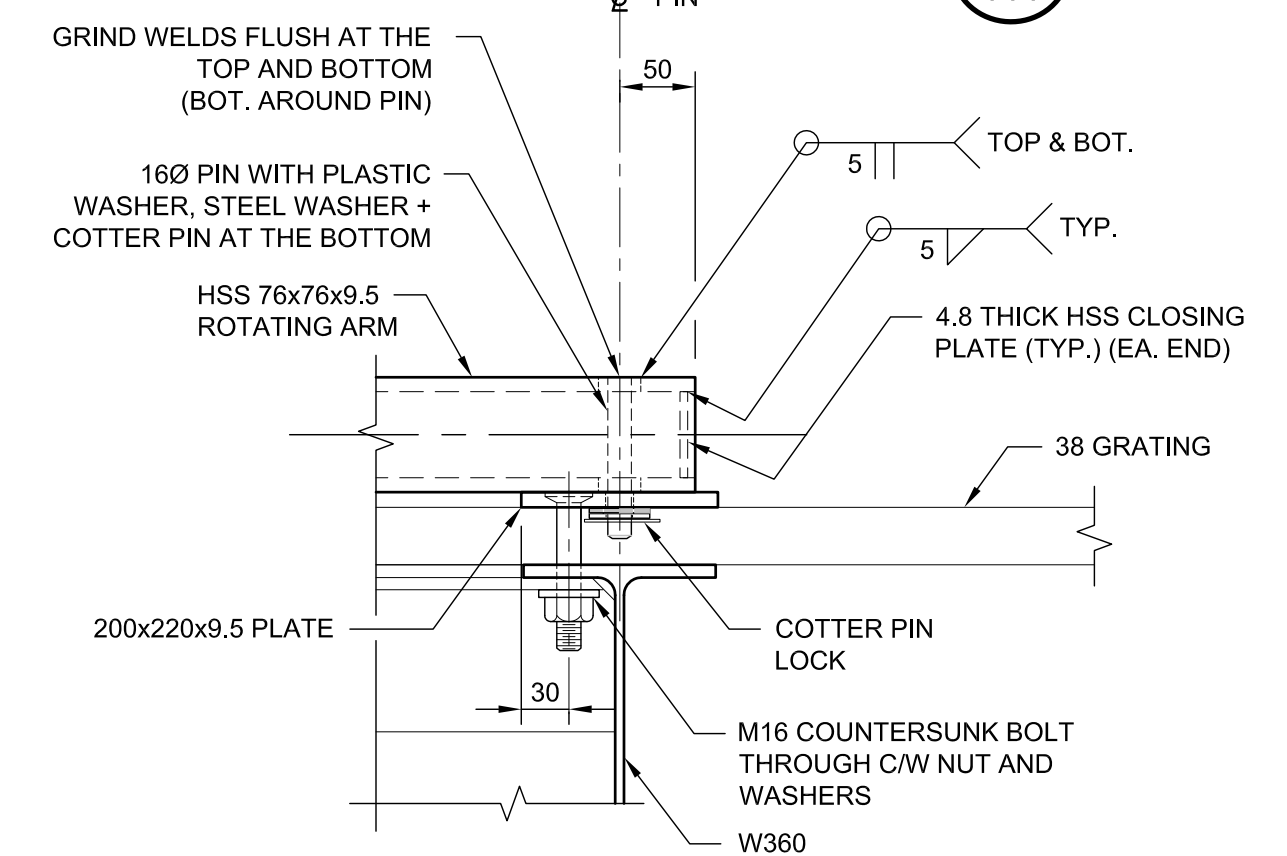
SECTION A
1:15



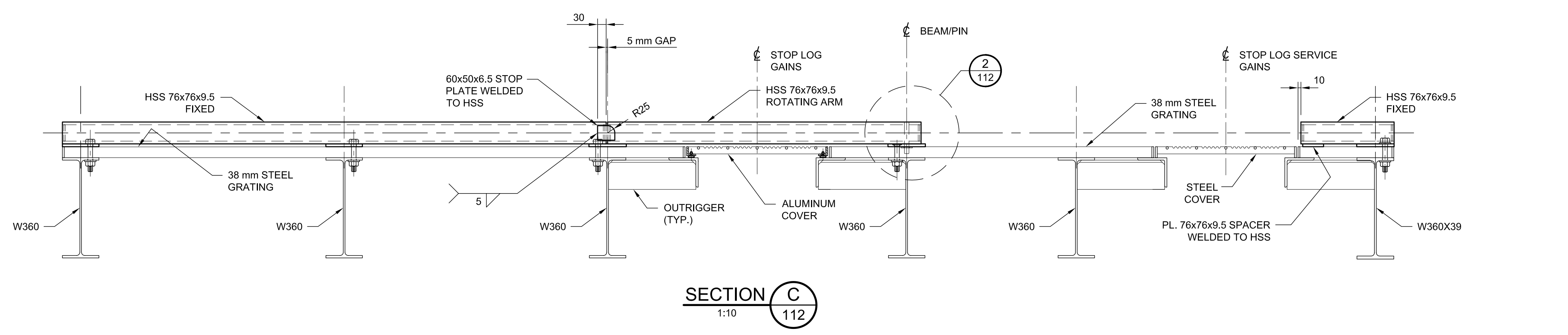
STOP LOG SLIDE DETAILS - PLAN
1:10



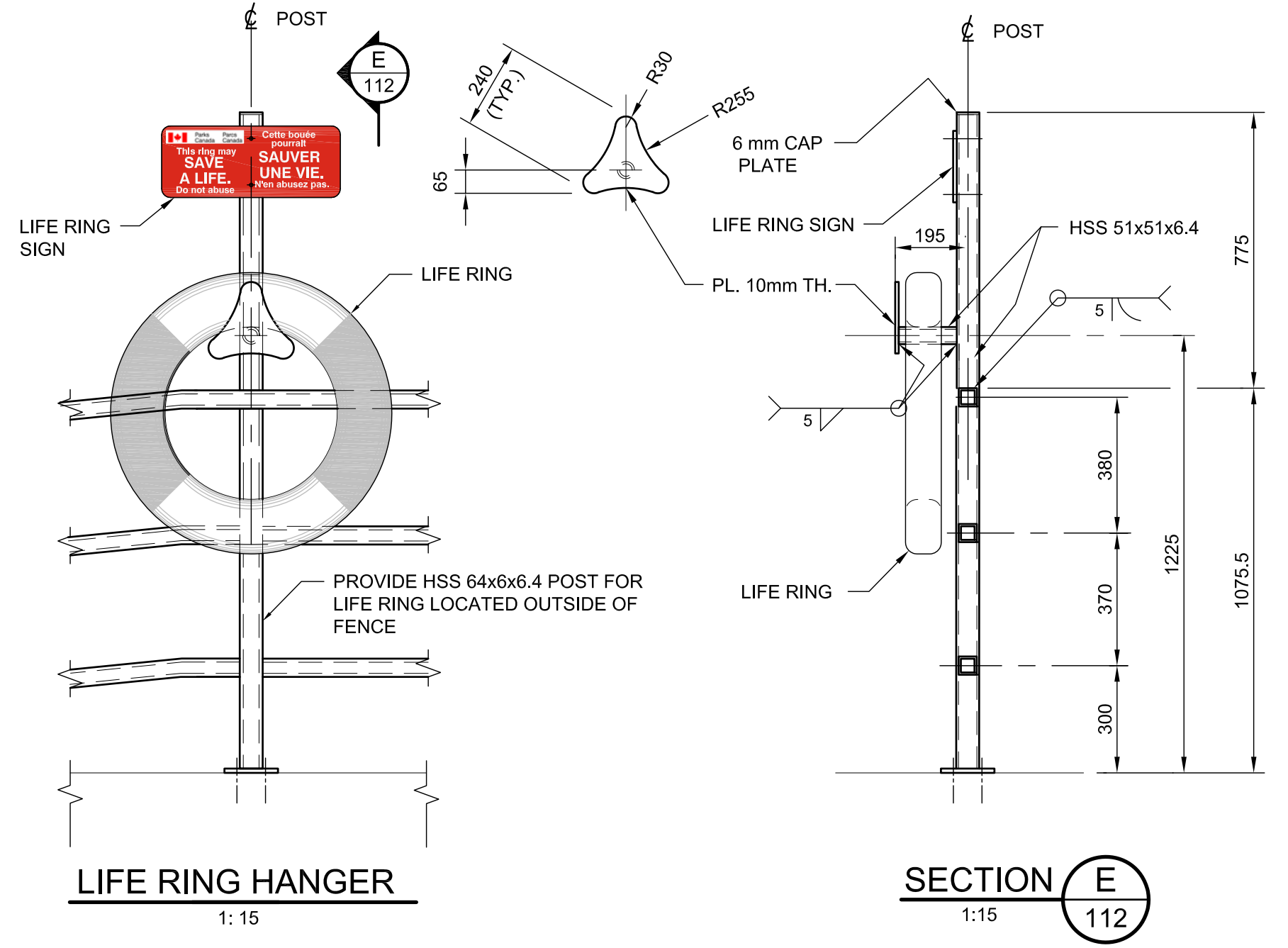
SECTION D
1:5



DETAIL 2
1:5

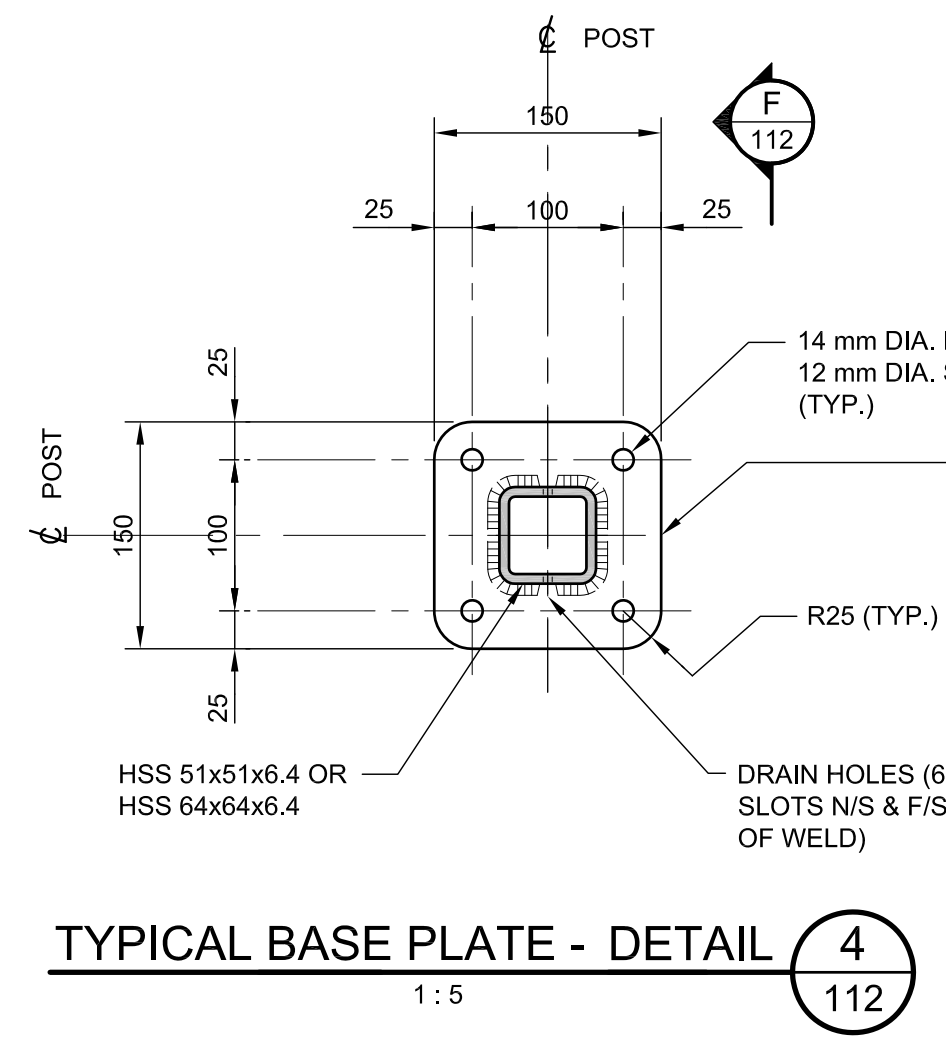


SECTION C
1:10

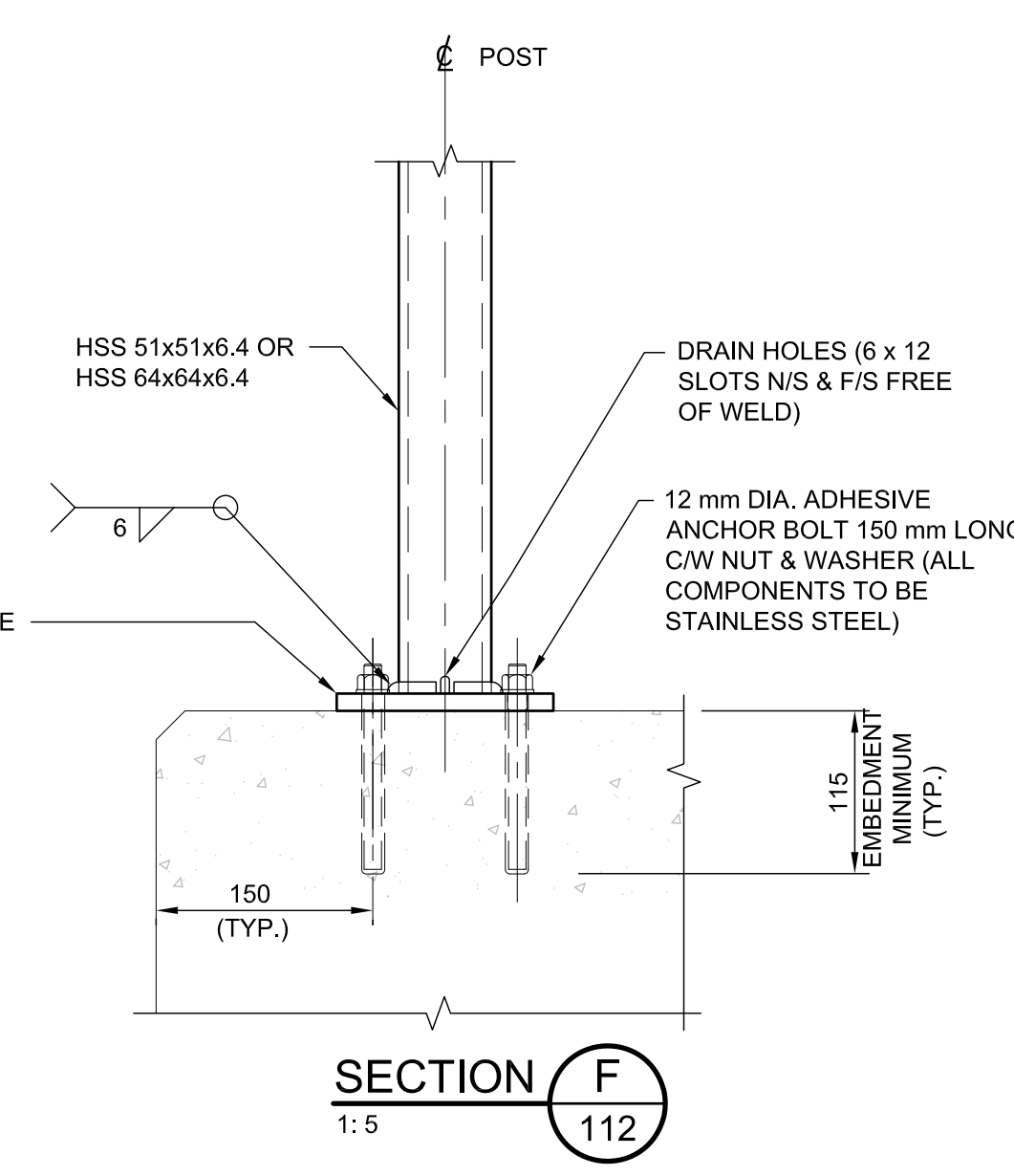


LIFE RING HANGER
1:15

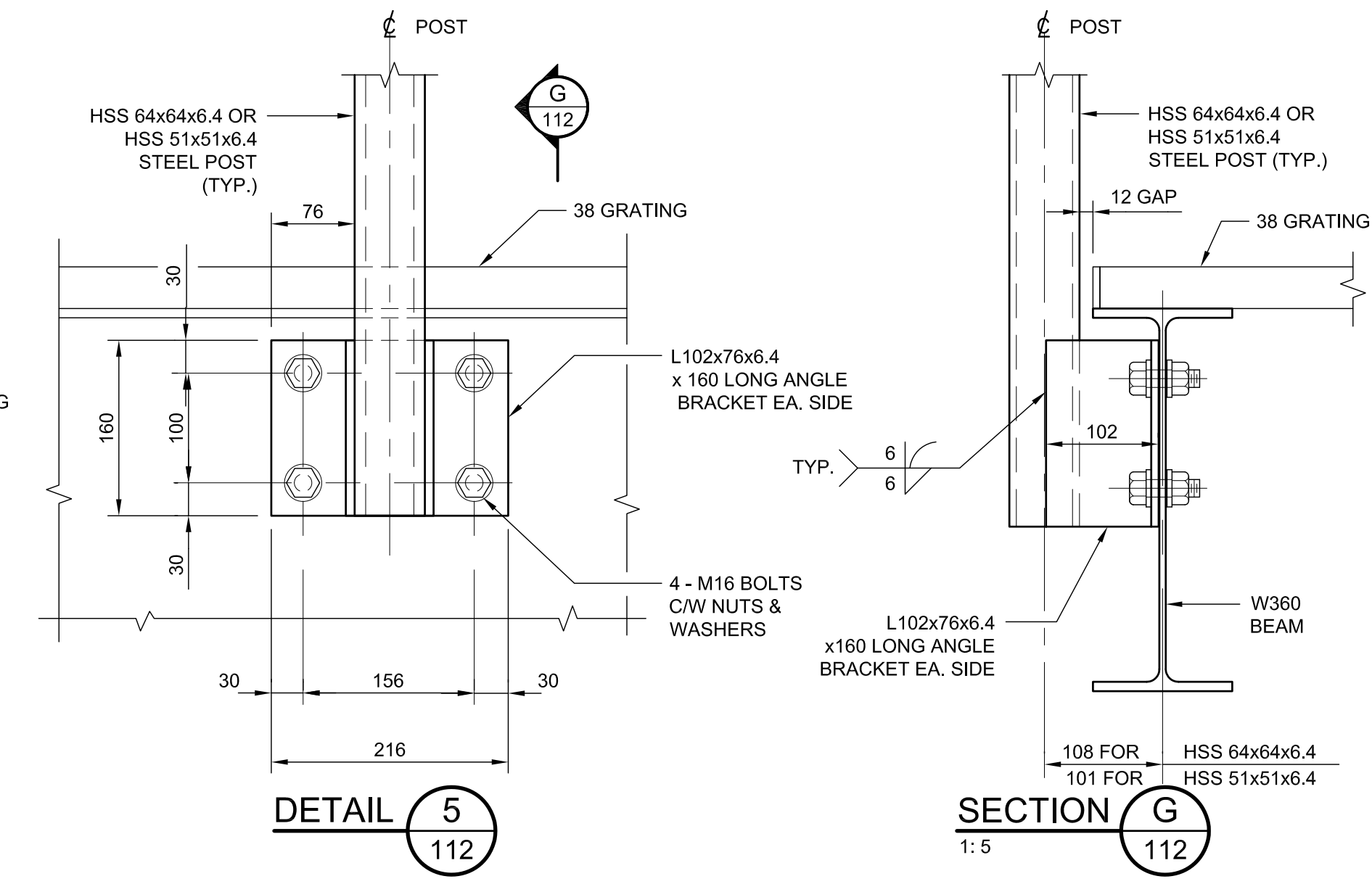
SECTION E
1:15



TYPICAL BASE PLATE - DETAIL 4
1:5



SECTION F
1:5



DETAIL 5
1:12

SECTION G
1:5

NOTE:
1. ALL STEEL SHALL BE HOT-DIP GALVANIZED UNLESS NOTED OTHERWISE.

LEGEND:
U.N.O. - UNLESS NOTED OTHERWISE
TYP. - TYPICAL

No.	Description	Drawn By / Des. Par	Date
4.	FOR TENDER	C.C.	APR 22, 2015
3.	FOR CLIENT REVIEW 99	C.C.	DEC 12, 2014
2.	FOR CLIENT REVIEW 95%	C.C.	DEC 1, 2014
1.	FOR CLIENT REVIEW 66%	C.C.	JULY 12, 2014

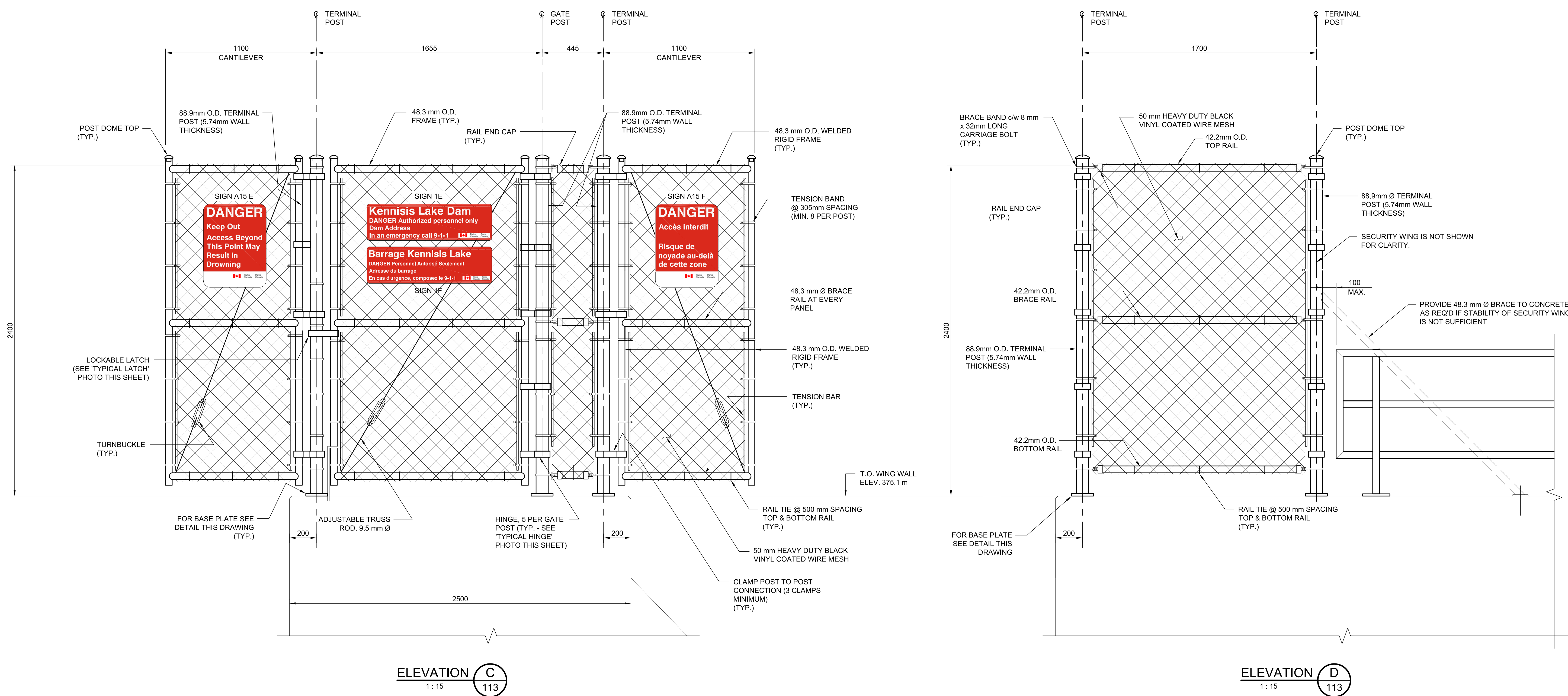
Do not scale drawings. Verify all dimensions and conditions on site and immediately notify the Departmental Representative of all discrepancies.

Revision / Révision	Description
A	Detail number / Numéro du détail
B	Location dwg. number / Numéro sur dessin

Project title / Titre du projet
KENNISIS LAKE DAM REPLACEMENT

Drawing title / Titre du dessin
GUARDRAIL DETAILS II

Drawn by / Dessiné par HENRYK CHRZANOWSKI	Designed by / Conçu par CZESLAW CUDOWSKI
Approved by / Approuvé par LUC BERIAULT	Drawing Date / Date du dessin JULY 2014
Project manager / Administrateur de projet ATIF SUHAIL	
HCEW Number / Numéro de CHT COTSW 14 - R9	Drawing Number / Numéro du Dessin 112
Project Number / Numéro du projet R.065660.001	Sheet / Feuille 13 of 17



NOTES:
1. ALL STEEL SHALL BE HOT-DIP GALVANIZED UNLESS NOTED OTHERWISE.

SECURITY WING IS NOT SHOWN FOR CLARITY.
PROVIDE 48.3 mm Ø BRACE TO CONCRETE AS REQ'D IF STABILITY OF SECURITY WING IS NOT SUFFICIENT

No.	Description	Drawn By / Des. Par	Date
4.	FOR TENDER	C.C.	APR 22, 2015
3.	FOR CLIENT REVIEW 99%	C.C.	DEC 12, 2014
2.	FOR CLIENT REVIEW 95%	C.C.	DEC 1, 2014
1.	FOR CLIENT REVIEW 66%	C.C.	JULY 12, 2014

Do not scale drawings.
Verify all dimensions and conditions on site and immediately notify the Departmental Representative of all discrepancies.

A	A Detail number Numéro du détail
B	B Location dwg. number Numéro sur dessin

Project title / Titre du projet

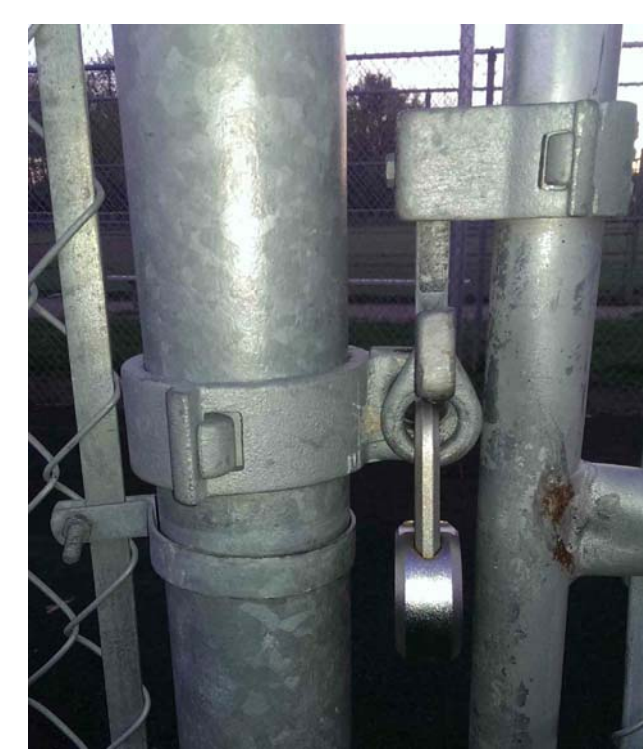
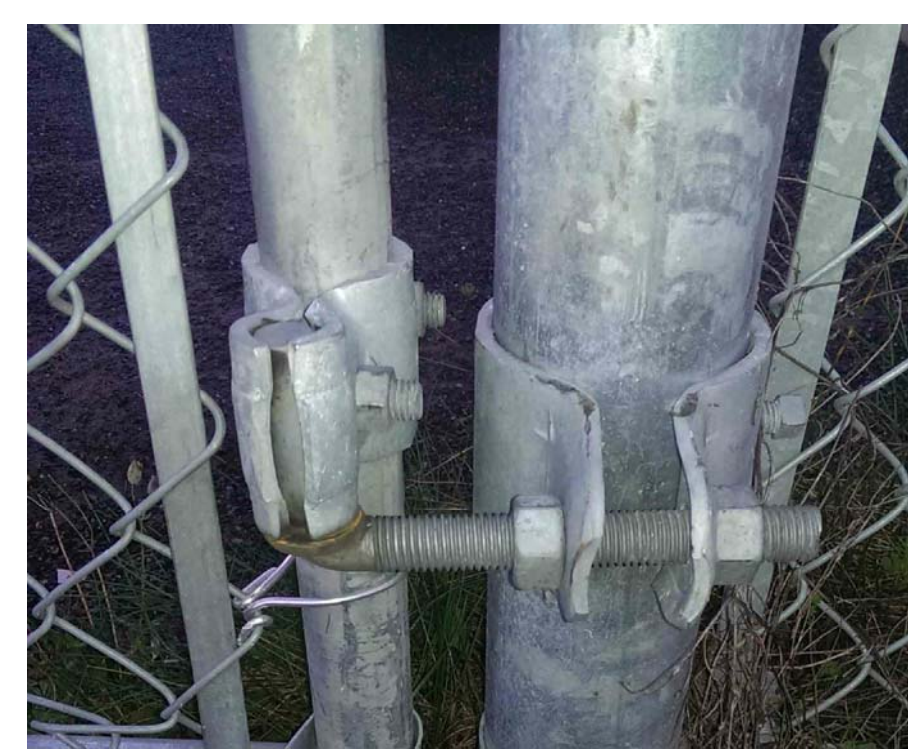
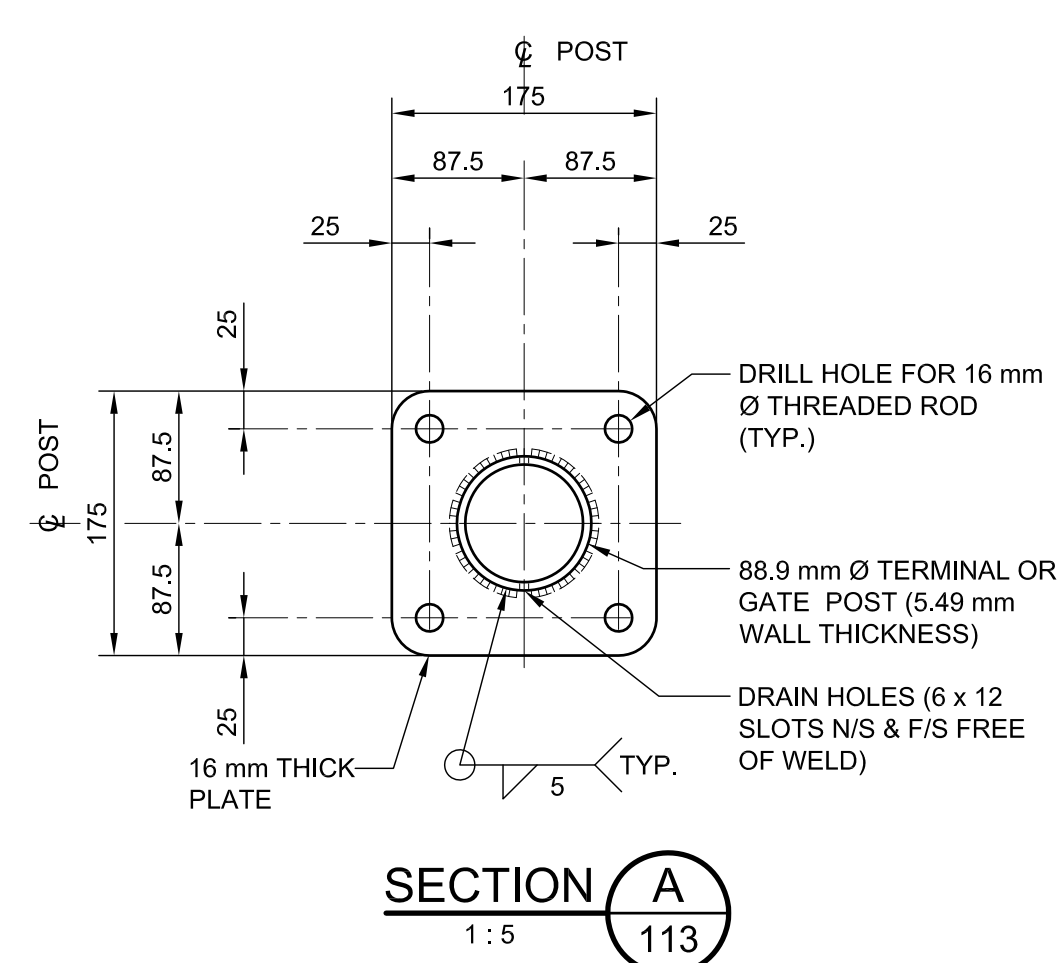
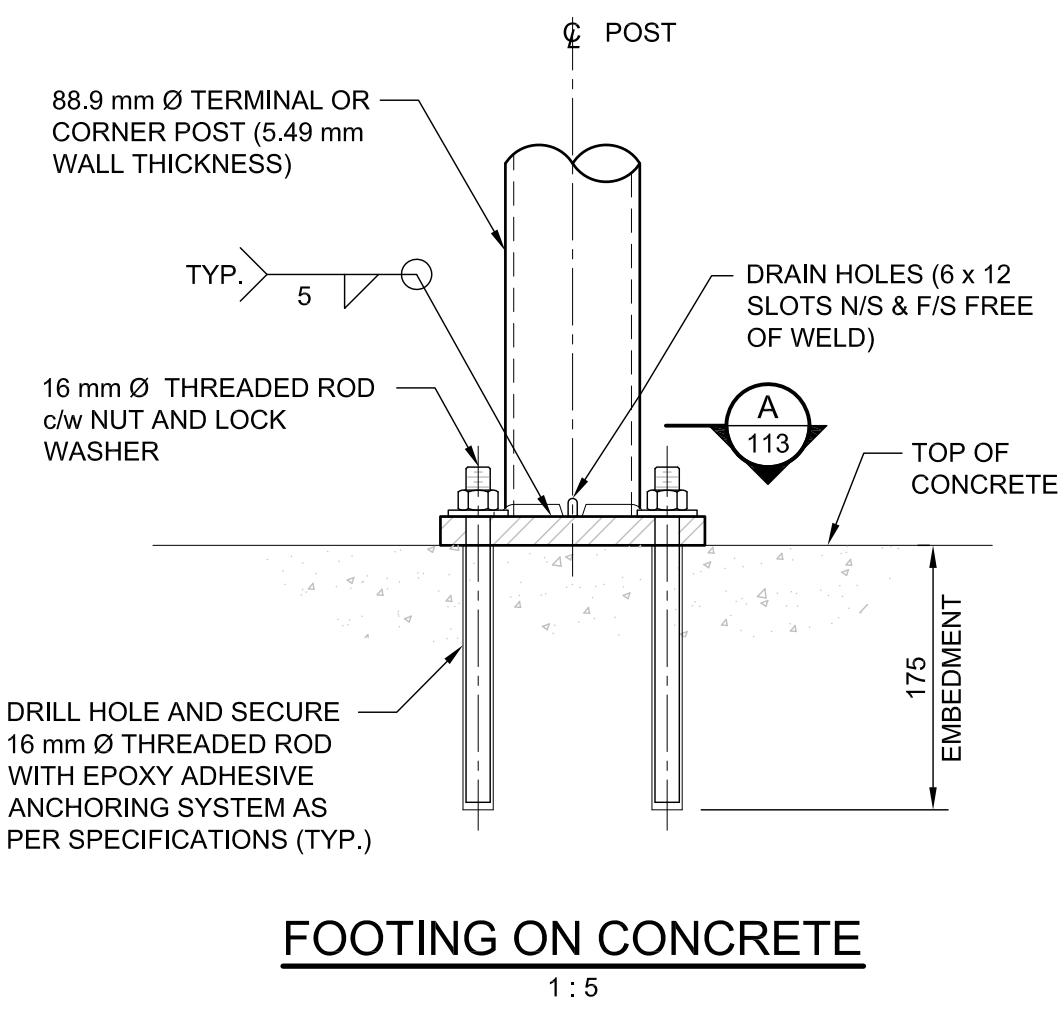
KENNIS LAKE DAM REPLACEMENT

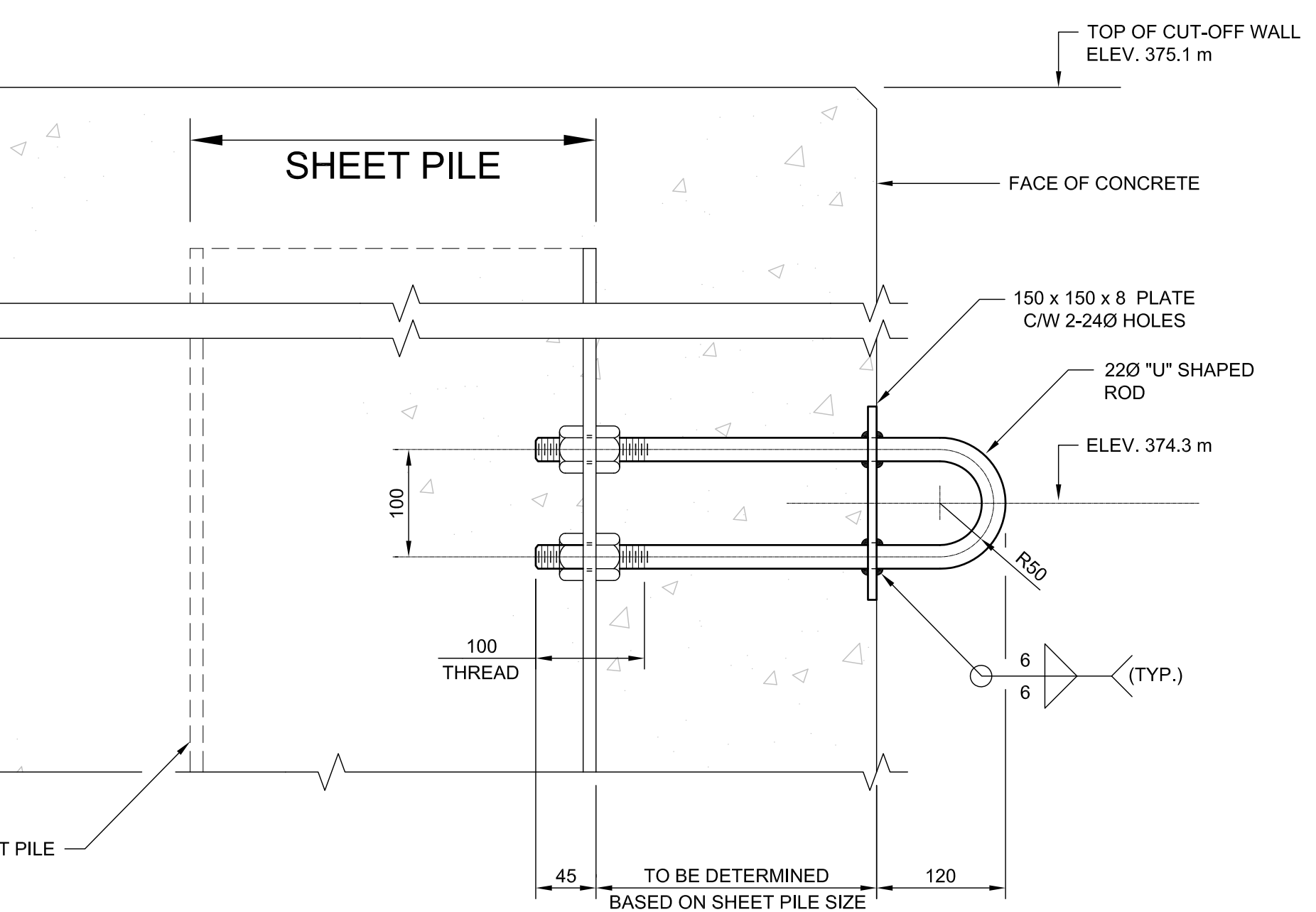
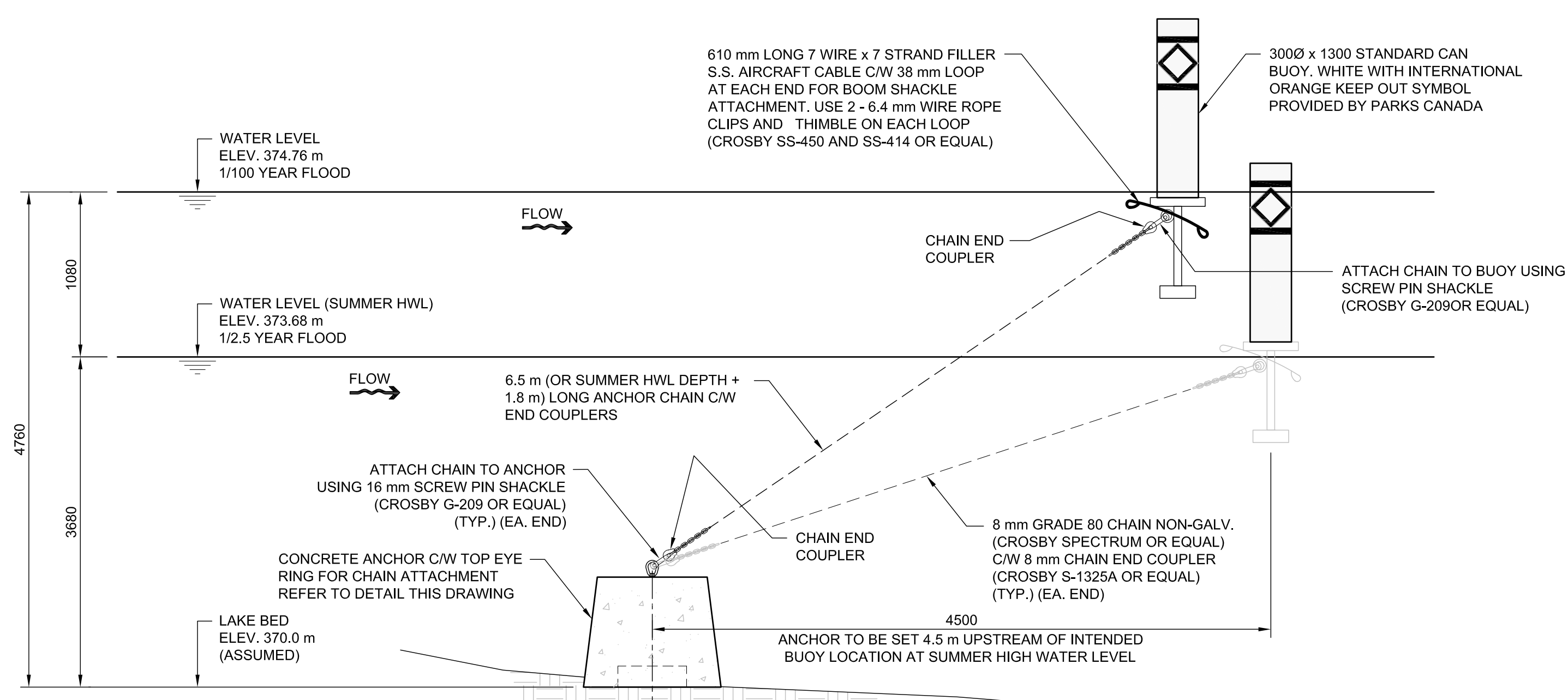
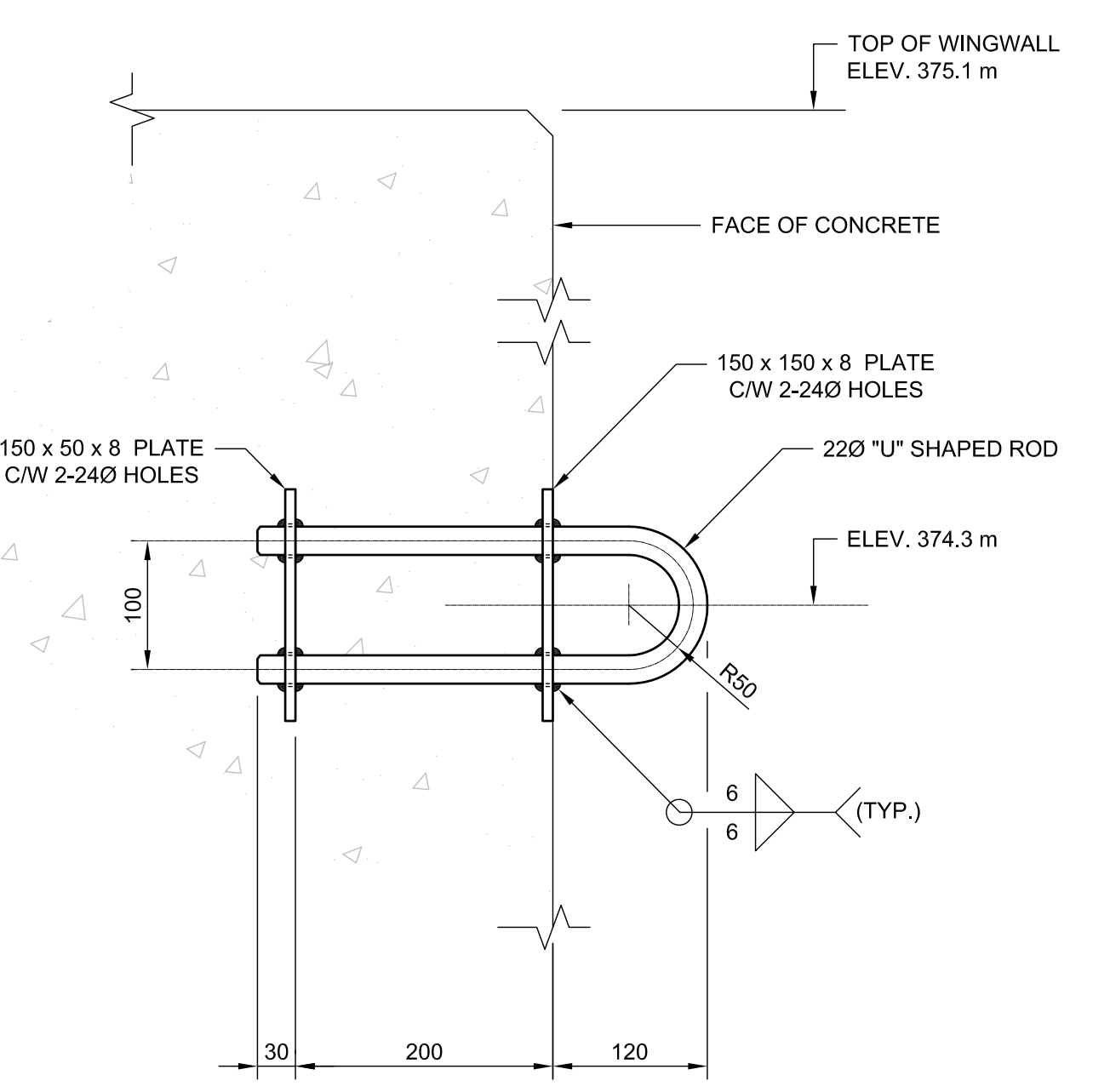
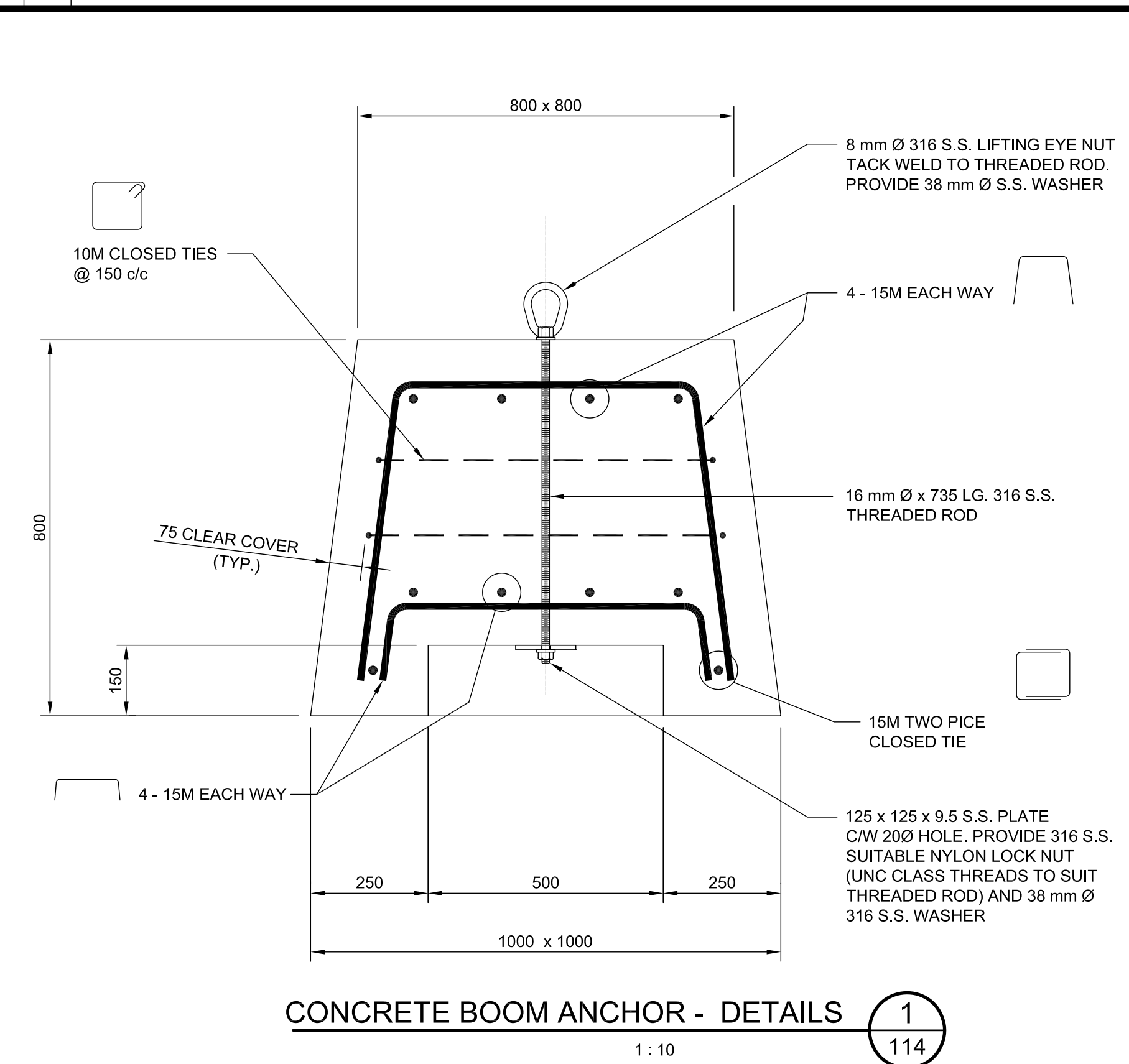
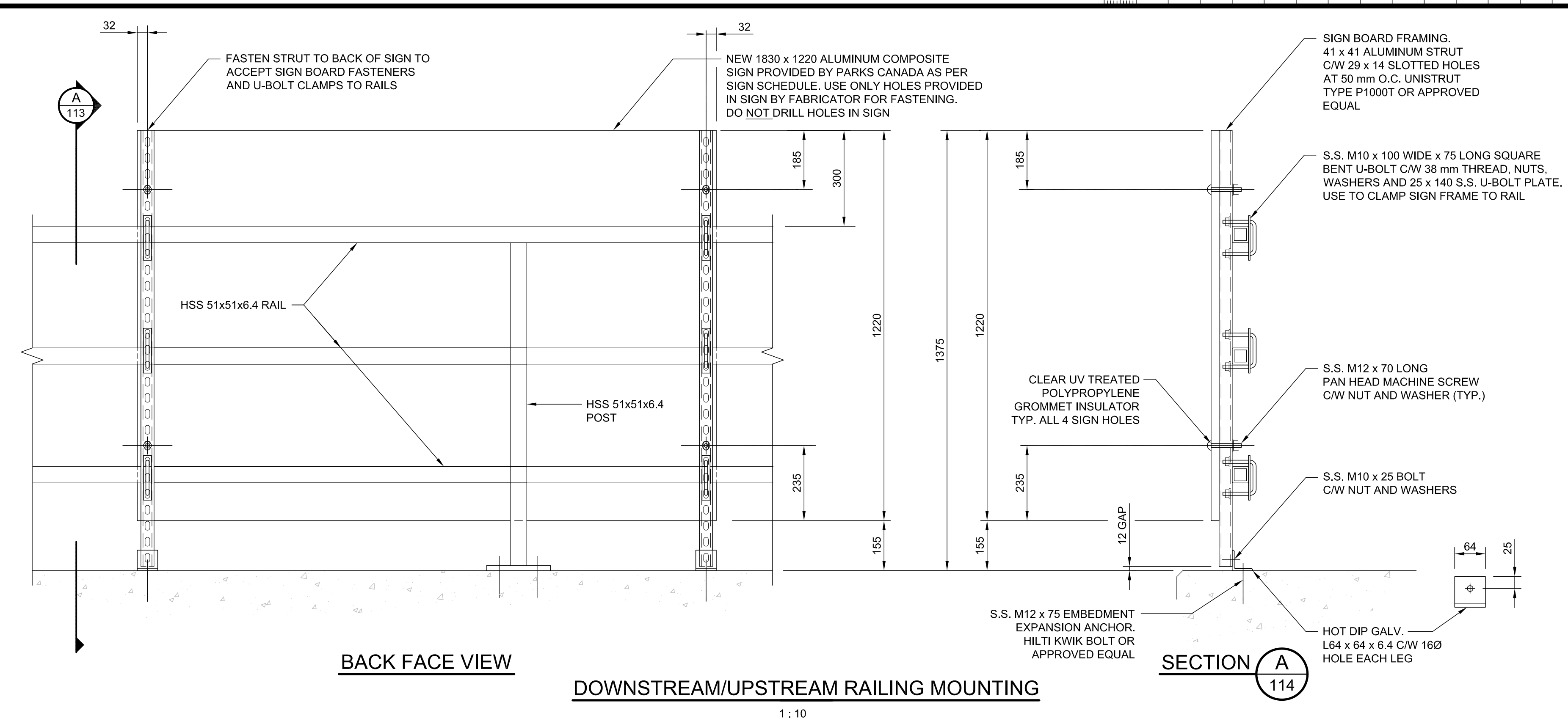
Drawing title / Titre du dessin

CHAIN LINK FENCE DETAILS

Drawn by / Dessiné par: HENRYK CHRZANOWSKI
Designed by / Conçu par: CZESLAW CUDOWSKI
Approved by / Approuvé par: LUC BERIAULT
Drawing Date / Date du dessin: JULY 2014

Project manager / Administrateur de projet: ATIF SUHAIL
HCEW Number / Numéro de CHW: COTSW 14 - R9
Drawing Number / Numéro du Dessin: **113**
Project Number / Numéro du projet: R.065660.001
Sheet / Feuille: 14 of 17





SIGN SCHEDULE (PROVIDED BY PARKS CANADA):					
SIGN IMAGE	SIGN DESIGNATION	SIZE (mm)	MATERIAL	QUANTITY	LOCATION
	A1 E	1220 x 1830	ALUMINUM COMPOSITE	1	UPSTREAM ON GUARDRAIL REFER TO DWG No. 103
	A1 F	1220 x 1830	ALUMINUM COMPOSITE	1	UPSTREAM ON GUARDRAIL REFER TO DWG No. 103
	A7 E	1220 x 1830	ALUMINUM COMPOSITE	1	DOWNSTREAM ON GUARDRAIL REFER TO DWG No. 103
	A7 F	1220 x 1830	ALUMINUM COMPOSITE	1	DOWNSTREAM ON GUARDRAIL REFER TO DWG No. 103

SIGN SCHEDULE (PROVIDED BY PARKS CANADA):					
SIGN IMAGE	SIGN DESIGNATION	SIZE (mm)	MATERIAL	QUANTITY	LOCATION
	A15 E	460 x 610	NON-STRUCTURAL ALUMINUM COMPOSITE	2	ON CHAIN LINK FENCE GATE (EACH END OF DAM) REFER TO DWG. 112
	A15 F	460 x 610	NON-STRUCTURAL ALUMINUM COMPOSITE	2	ON CHAIN LINK FENCE GATE (EACH END OF DAM) REFER TO DWG. 112
	1 E	267 x 914	NON-STRUCTURAL ALUMINUM COMPOSITE	1	ON CHAIN LINK FENCE GATE (NORTH SIDE) REFER TO DWG. 112
	1 F	267 x 914	NON-STRUCTURAL ALUMINUM COMPOSITE	1	ON CHAIN LINK FENCE GATE (NORTH SIDE) REFER TO DWG. 112
	2 E	610 x 660	NON-STRUCTURAL ALUMINUM COMPOSITE	1	UPSTREAM ON GUARDRAIL REFER TO DWG No. 103
	2 F	610 x 660	NON-STRUCTURAL ALUMINUM COMPOSITE	1	UPSTREAM ON GUARDRAIL REFER TO DWG No. 103
	ENGLISH AND FRENCH COMBINED	200 x 500	NON-STRUCTURAL ALUMINUM COMPOSITE	2	AT EACH SAFETY LIFE RING LOCATION REFER TO DWG No. 103

NOTE:
1. ALL STEEL SHALL BE HOT-DIP GALVANIZED UNLESS NOTED OTHERWISE.
2. SAFETY BOOM FLOATING UNITS AND STD. CAN BUOY PROVIDED BY PARKS CANADA.

No.	Description	Des.By	Date
4.	FOR TENDER	C.C.	APR 22, 2015
3.	FOR CLIENT REVIEW 99%	C.C.	DEC 12, 2014
2.	FOR CLIENT REVIEW 95%	C.C.	DEC 1, 2014
1.	FOR CLIENT REVIEW 66%	C.C.	JULY 12, 2014

Do not scale drawings. Verify all dimensions and conditions on site and immediately notify the Departmental Representative of all discrepancies.

A	A Detail number Numéro du détail
B	B Location dwg. number Numéro sur dessin

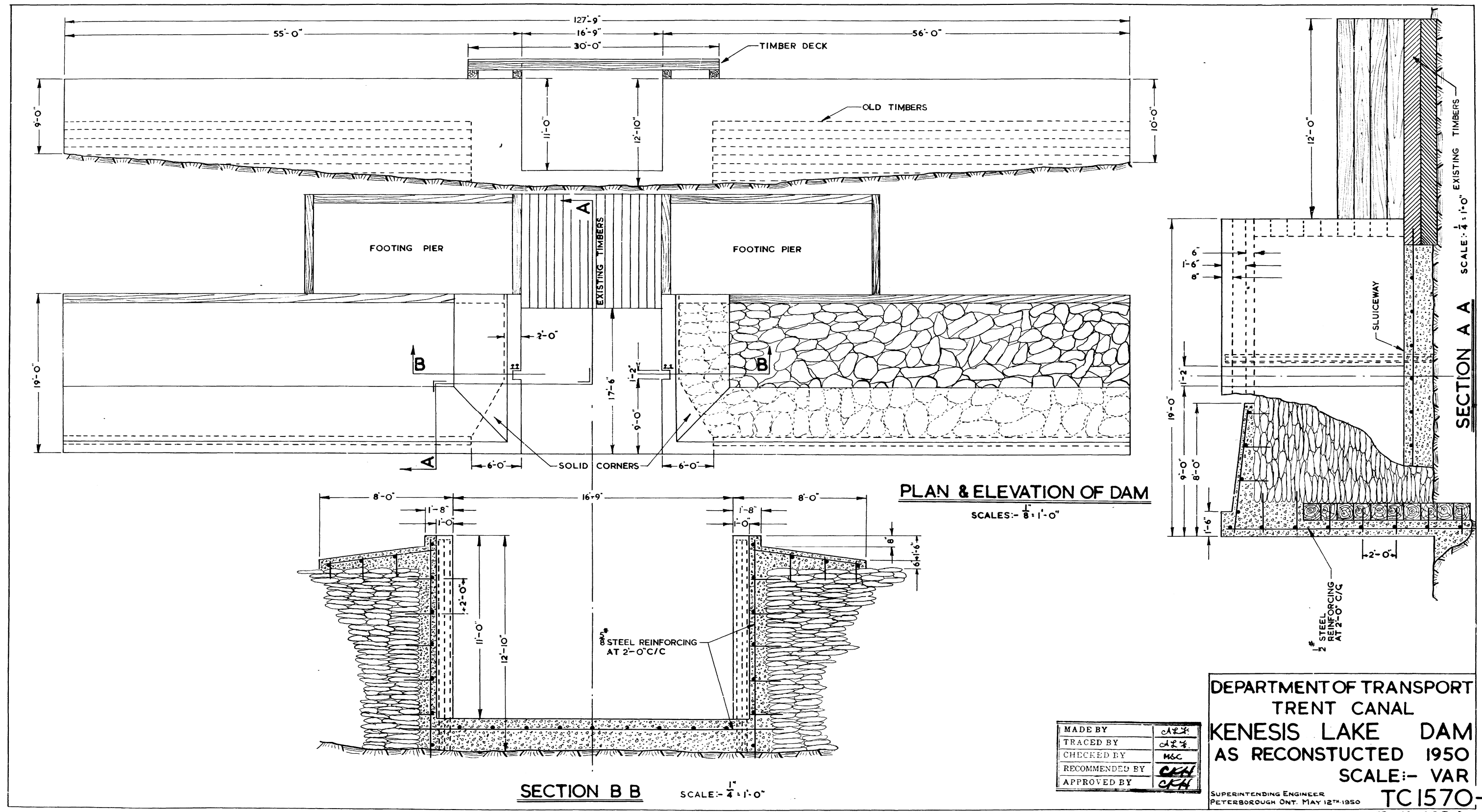
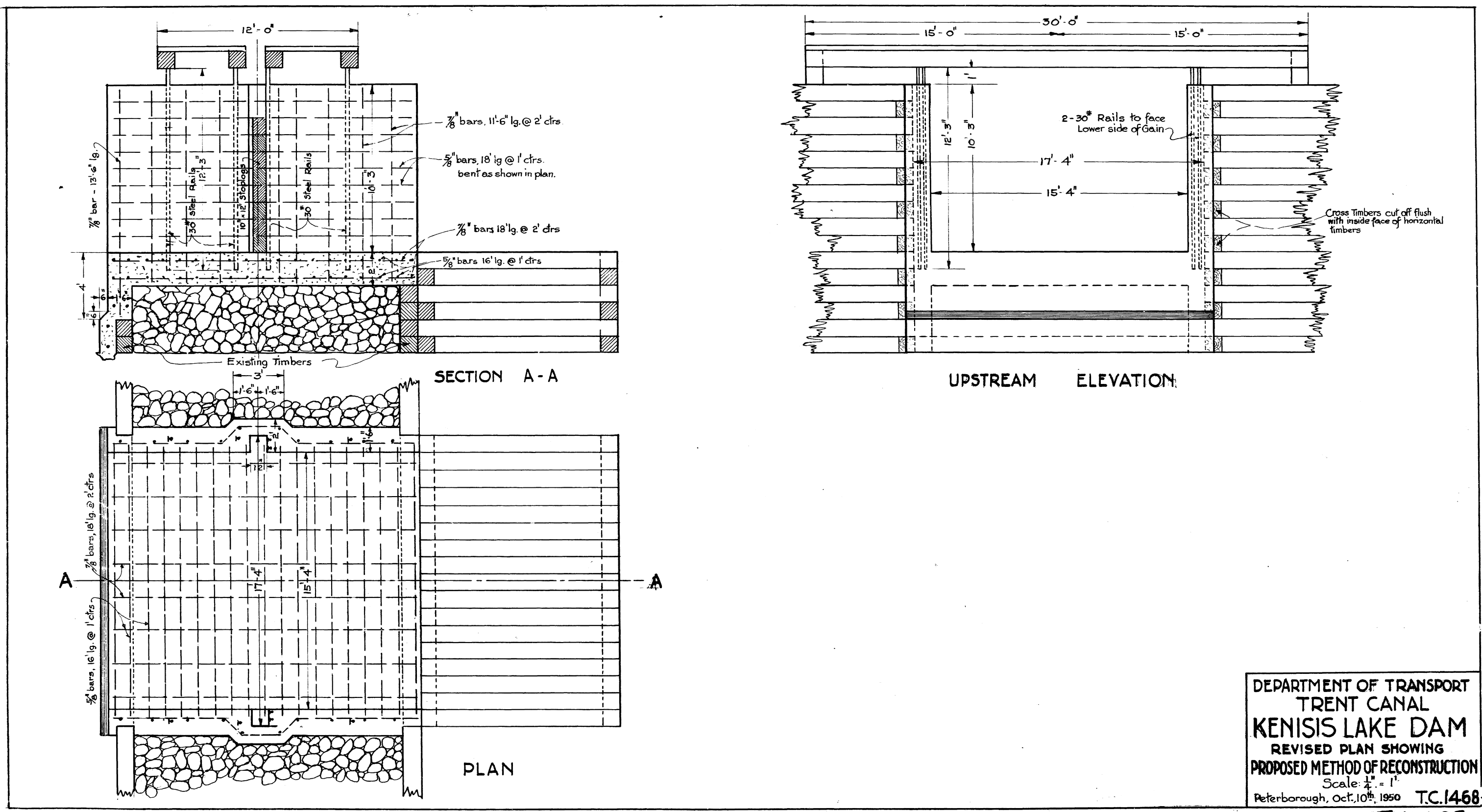
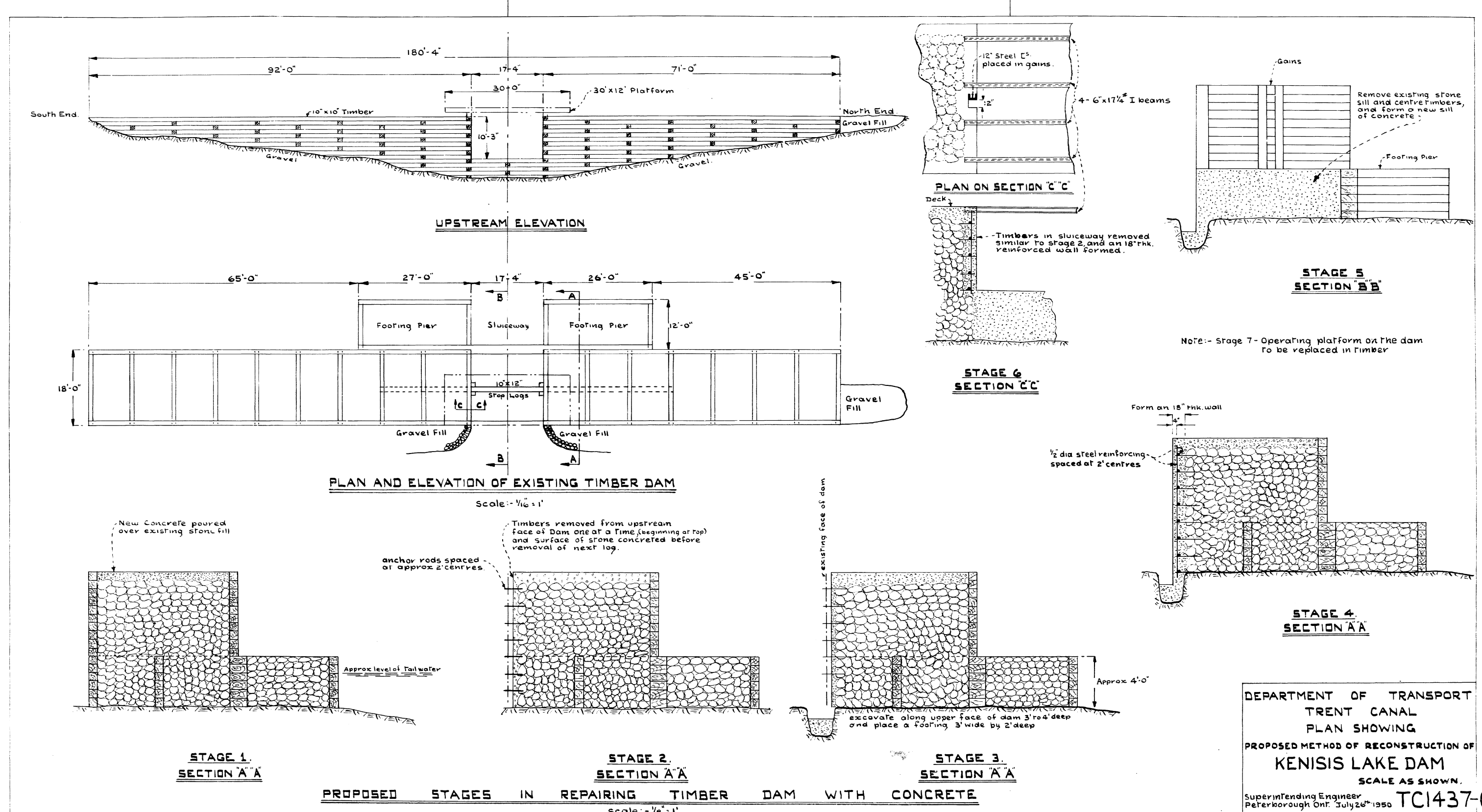
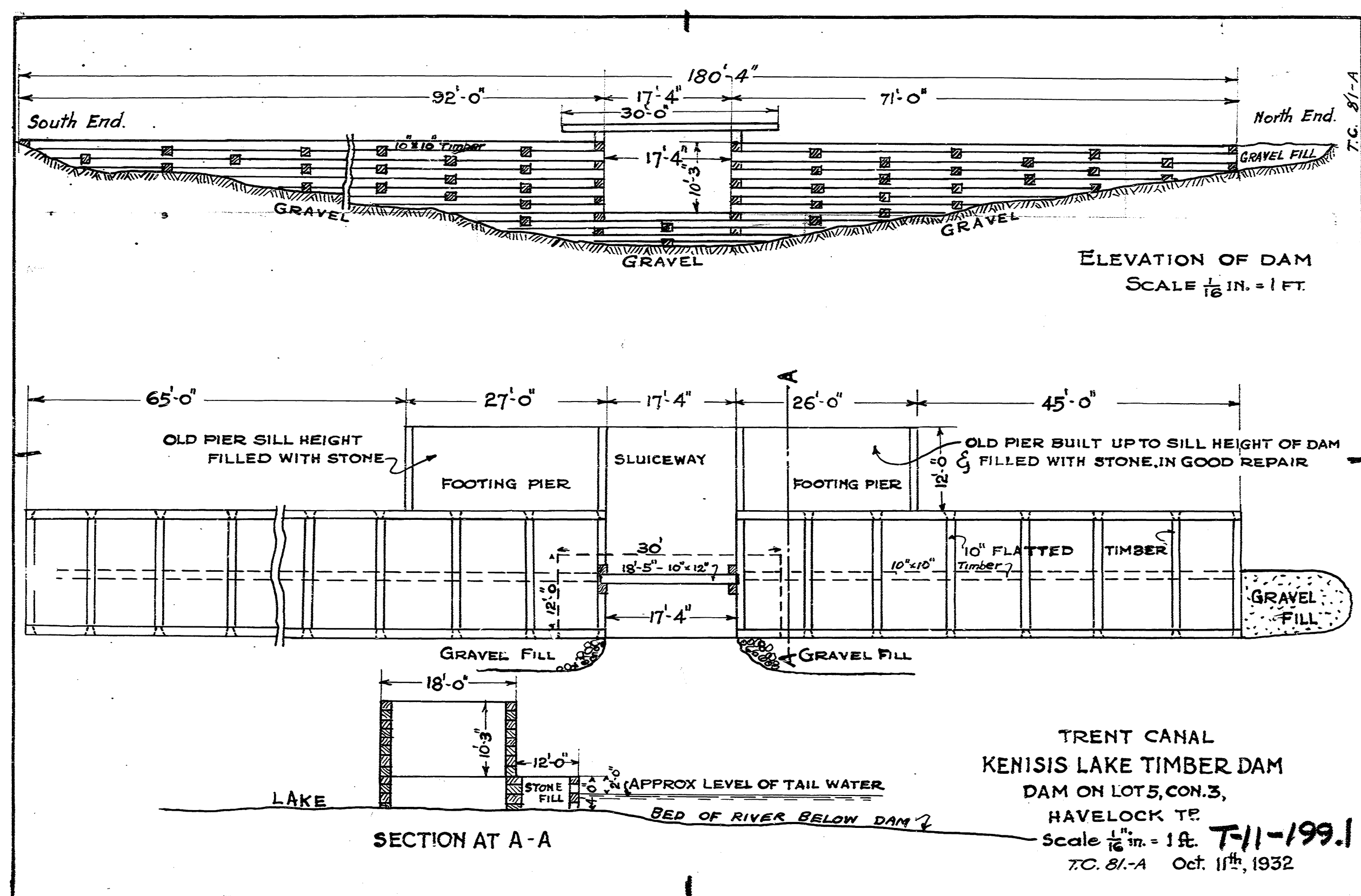
Project title / Titre du projet

KENNISIS LAKE DAM REPLACEMENT

Drawing title / Titre du dessin

SAFETY SIGNAGE AND BOOM ANCHORAGE DETAILS

Drawn by / Dessiné par HENRYK CHRZANOWSKI	Designed by / Conçu par SCOTT GAUTHIER
Approved by / Approuvé par MICHAEL MCLAY	Drawing Date / Date du dessin JULY 2014
Project manager / Administrateur de projet ATIF SUHAIL	
HCEW Number / Numéro de CHTI COTSW 14 - R9	Drawing Number / Numéro du Dessin 114
Project Number / Numéro du projet R.065660.001	Sheet / Feuille 15 of 17



No.	Description	Drawn By / Dessiné	Date
4.	FOR TENDER	C.C.	APR 22, 2015
3.	FOR CLIENT REVIEW 99%	C.C.	DEC 12, 2014
2.	FOR CLIENT REVIEW 95%	C.C.	DEC 1, 2014
1.	FOR CLIENT REVIEW 66%	C.C.	JULY 12, 2014

Revision / Révision	
A	Detail number / Numéro du détail
B	Location dwg. number / Numéro sur dessin



PHOTO #1



PHOTO #2



PHOTO #13



PHOTO #4



PHOTO #5

KENISIS LAKE DAM REPLACEMENT

REFERENCE DRAWINGS I

Drawn by / Dessiné par HENRYK CHRZANOWSKI	Designed by / Conçu par CZESLAW CUDOWSKI
Approved by / Approuvé par LUC BERIAULT	Drawing Date / Date du dessin JULY 2014
Project manager / Administrateur de projet ATIF SUHAIL	
HCEW Number / Numéro de CHTI COTSW 14 - R9	Drawing Number / Numéro du Dessin 115
Project Number / Numéro du projet R.065660.001	Sheet / Feuille 16 of 17

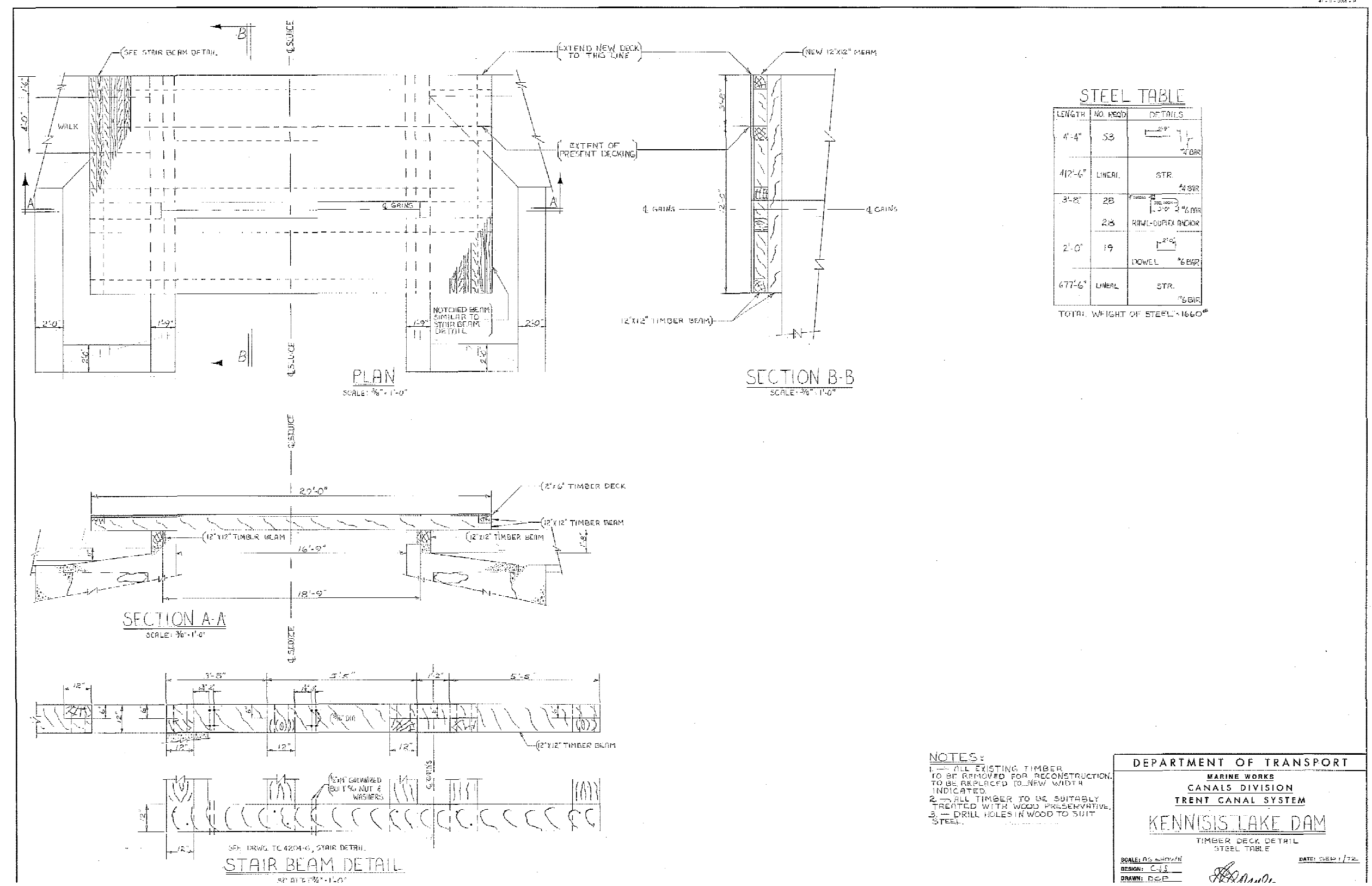
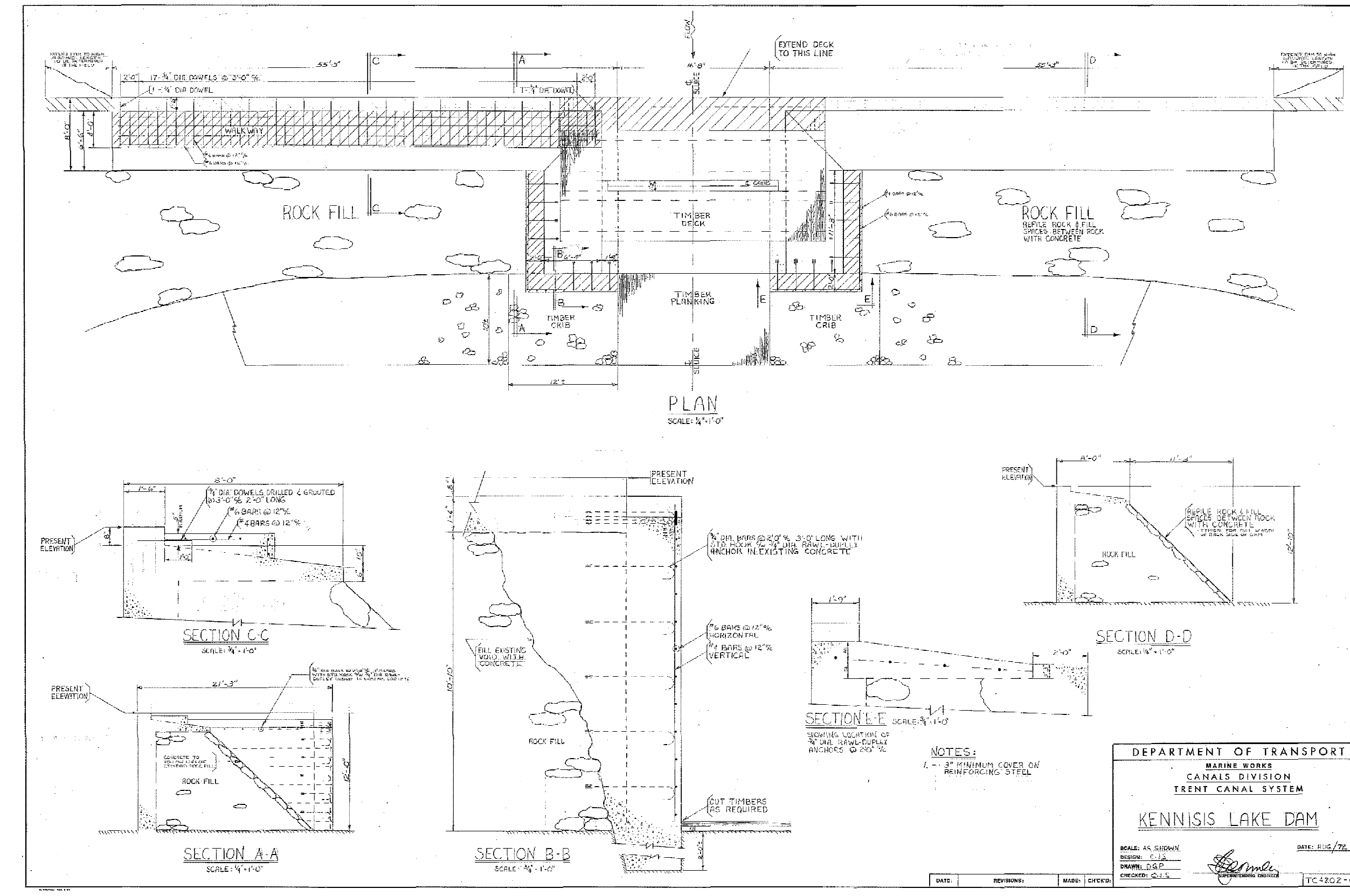
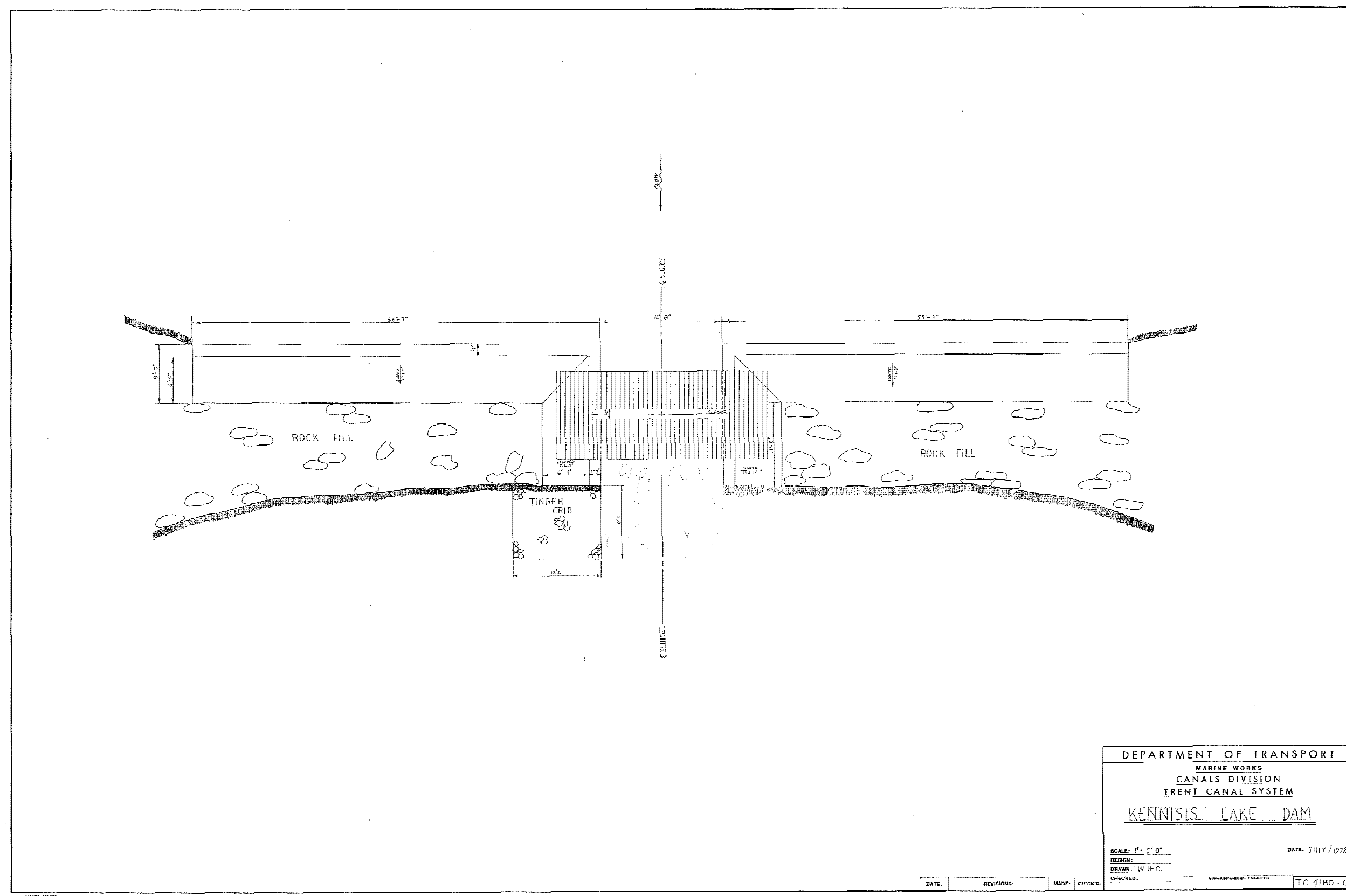


PHOTO #6



PHOTO #7



PHOTO #8

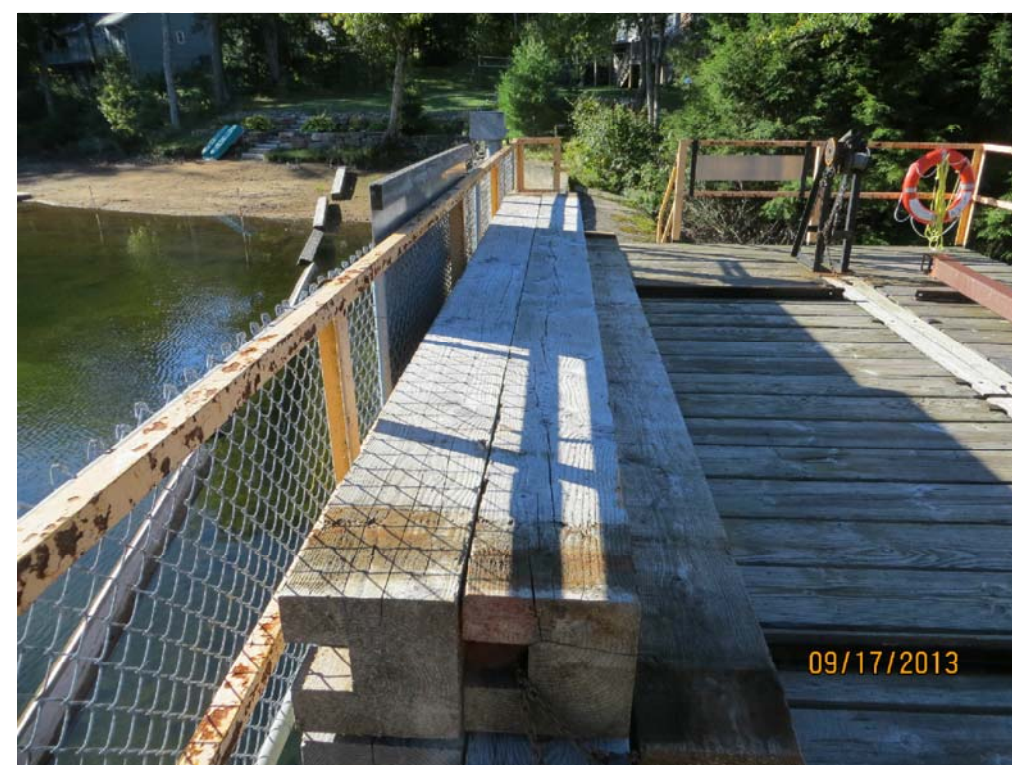


PHOTO #9



PHOTO #10



PHOTO #11



PHOTO #12



PHOTO #13

No.	Description	Drawn By / Des. Par	Date
4.	FOR TENDER	C.C.	APR 22, 2015
3.	FOR CLIENT REVIEW 99%	C.C.	DEC 12, 2014
2.	FOR CLIENT REVIEW 95%	C.C.	DEC 1, 2014
1.	FOR CLIENT REVIEW 66%	C.C.	JULY 12, 2014

Revision / Révision

Do not scale drawings.
Verify all dimensions and conditions on site and immediately notify the Departmental Representative of all discrepancies.

Detail Number / Numéro du détail	Location drawing number / Numéro sur dessin
A	
B	

Project title / Titre du projet

KENNIS LAKE DAM REPLACEMENT

Drawing title / Titre du dessin

REFERENCE DRAWINGS II

Drawn by / Dessiné par
HENRYK CHRZANOWSKI

Designed by / Conçu par
CZESLAW CUDOWSKI

Approved by / Approuvé par
LUC BERIAULT

Drawing Date / Date du dessin
JULY 2014

Project manager / Administrateur de projet
ATIF SUHAIL

HCEW Number / Numéro de CHTI
COTSW 14 - R9

Project Number / Numéro du projet
R_065660.001

Drawing Number / Numéro du Dessin
116

Sheet / Feuille
17 of 17