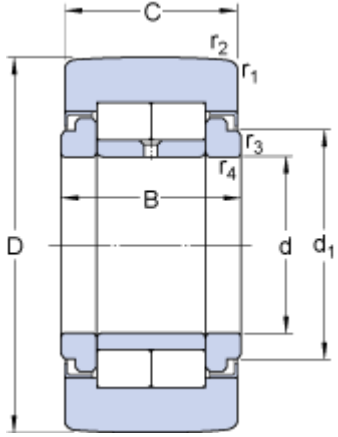


NUTR 40 A

Dimensions



| | | |
|---------------------|-------------|----|
| D | 3.1496 | in |
| d | 1.5748 | in |
| C | 1.1811 | in |
| B | 1.2598 | in |
| d ₁ | 1.9882 | in |
| r _{1,2} | min. 0.0433 | in |
| r, r _{3,4} | min. 0.0236 | in |

Calculation data

| | | | |
|------------------------------|-----------------|-------|-------|
| Basic dynamic load rating | C | 12859 | lbf |
| Basic static load rating | C ₀ | 16186 | lbf |
| Fatigue load limit | P _u | 2023 | lbf |
| Maximum dynamic radial loads | F _r | 7194 | lbf |
| Maximum static radial loads | F _{0r} | 10229 | lbf |
| Limiting speed | | 1800 | r/min |

Mass

| | | | |
|---------------------|--|-----|-----|
| Mass support roller | | 1.8 | lbs |
|---------------------|--|-----|-----|