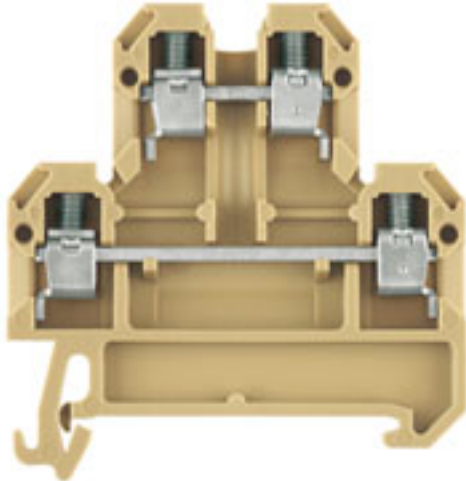


**SAK Series**  
**DK 4/35**

**Weidmüller Interface GmbH & Co. KG**  
 Klingenbergstraße 16  
 D-32758 Detmold  
 Germany  
 Fon: +49 5231 1429-0  
 Fax: +49 5231 14292083  
 www.weidmueller.com


**Klippon® Connect with clamping yoke Technology**

The high reliability and variety of designs of the terminal blocks with clamping yoke connections make planning easier and optimises operational safety. Klippon® Connect provides a proven response to a range of different requirements.

**General ordering data**

Type	DK 4/35
Order No.	<a href="#">0527660000</a>
Version	SAK Series, Feed-through terminal, Double-tier terminal, Rated cross-section: 4 mm <sup>2</sup> , Screw connection
GTIN (EAN)	4008190082130
Qty.	100 pc(s).

**SAK Series  
DK 4/35**

**Weidmüller Interface GmbH & Co. KG**  
 Klingenbergstraße 16  
 D-32758 Detmold  
 Germany  
 Fon: +49 5231 1429-0  
 Fax: +49 5231 14292083  
 www.weidmueller.com

**Technical data****Dimensions and weights**

Width	6 mm	Width (inches)	0.236 inch
Height	50 mm	Height (inches)	1.969 inch
Depth	60.5 mm	Depth (inches)	2.382 inch
Net weight	11.77 g		

**Temperatures**

Continuous operating temp., min.	-50 °C	Continuous operating temp., max.	100 °C
----------------------------------	--------	----------------------------------	--------

**Material data**

Material	PA 66	Colour	beige / yellow
UL 94 flammability rating	V-2		

**System specifications**

Version	Screw connection, for screwable cross-connection, One end without connector	Tightening torque (clamping screw for copper conductors)	0.5...0.8 Nm
End cover plate required	Yes	Number of potentials	2
Number of levels	2	No. of clamping points per level	2
Number of potentials per tier	1	Levels cross-connected internally	No
PE connection	No	Mounting rail	TS 35
N-function	No	PE function	No
PEN function	No		

**Additional technical data**

Explosion-tested version	No	Number of similar terminals	1
Open sides	right	Type of mounting	Snap-on

**CSA rating data**

Certificate No. (CSA)	12400-130	Current size C (CSA)	25 A
Voltage size C (CSA)	300 V	Wire cross section max. (CSA)	12 AWG
Wire cross section min. (CSA)	26 AWG		

**Conductors for clamping (additional connection)**

Conductor cross-section, flexible plus plastic collar DIN 46228/1, further connection, max.	2.5 mm <sup>2</sup>
---	---------------------

**SAK Series  
DK 4/35**

**Weidmüller Interface GmbH & Co. KG**  
 Klingenbergstraße 16  
 D-32758 Detmold  
 Germany  
 Fon: +49 5231 1429-0  
 Fax: +49 5231 14292083  
 www.weidmueller.com

**Technical data****Conductors for clamping (rated connection)**

Blade size	0.6 x 3.5 mm	Clamping range, rated connection, max.	6 mm <sup>2</sup>
Clamping range, rated connection, min.	0.13 mm <sup>2</sup>	Clamping screw	M 3
Connection direction	on side	Cross-section for connected conductor, finely stranded with wire-end ferrules and plastic collars DIN 46228/4, rated connection, min.	0.5 mm <sup>2</sup>
Gauge to IEC 60947-1	A3	Number of connections	4
Stripping length	8 mm	Tightening torque, max.	0.8 Nm
Tightening torque, min.	0.5 Nm	Torque level with DMS electric screwdriver	2
Twin wire-end ferrules, max.	1.5 mm <sup>2</sup>	Twin wire-end ferrules, min.	0.5 mm <sup>2</sup>
Type of connection	Screw connection	Wire connection cross section AWG, max.	AWG 12
Wire connection cross section AWG, min.	AWG 26	Wire connection cross section, finely stranded with wire-end ferrules DIN 46228/1, rated connection, max.	2.5 mm <sup>2</sup>
Wire connection cross section, finely stranded with wire-end ferrules DIN 46228/1, rated connection, min.	0.5 mm <sup>2</sup>	Wire connection cross section, finely stranded, max.	4 mm <sup>2</sup>
Wire connection cross section, solid core max. rated connection	6 mm <sup>2</sup>	Wire connection cross section, solid core, min. rated connection	0.5 mm <sup>2</sup>
Wire connection cross section, stranded, rated connection, max.	4 mm <sup>2</sup>	Wire connection cross section, stranded, rated connection, min.	0.5 mm <sup>2</sup>
Wire connection cross-section, finely stranded with wire-end ferrules and plastic collars DIN 46228/4, rated connection, max.	2.5 mm <sup>2</sup>	Wire connection cross-section, finely stranded, min.	0.5 mm <sup>2</sup>

**Rating data**

Rated cross-section	4 mm <sup>2</sup>	Rated voltage	500 V
Rated current	32 A	Current at maximum wires	41 A
Standards	IEC 60947-7-1	Volume resistance according to IEC 60947-7-x	1 mΩ
Rated impulse withstand voltage	6 kV	Pollution severity	3

**UL rating data**

Certificate No. (UR)	E60693	Conductor size Factory wiring max. (UR)	12 AWG
Conductor size Factory wiring min. (UR)	26 AWG	Conductor size Field wiring max. (UR)	12 AWG
Conductor size Field wiring min. (UR)	22 AWG	Current size C (UR)	27 A
Voltage size C (UR)	300 V		

**Classifications**

ETIM 3.0	EC000897	ETIM 4.0	EC000897
ETIM 5.0	EC000897	ETIM 6.0	EC000897
UNSPSC	30-21-18-11	eClass 5.1	27-14-11-20
eClass 6.2	27-14-11-20	eClass 7.1	27-14-11-27
eClass 8.1	27-14-11-20	eClass 9.0	27-14-11-20
eClass 9.1	27-14-11-20		

**Product information**

Descriptive text technical data With twin wire-end ferrules ZH 0.5 to ZH 2.5, the rated voltage is 690 V.

**Data sheet****SAK Series  
DK 4/35**

**Weidmüller Interface GmbH & Co. KG**  
Klingenbergstraße 16  
D-32758 Detmold  
Germany  
Fon: +49 5231 1429-0  
Fax: +49 5231 14292083  
www.weidmueller.com

**Technical data****Approvals**

Approvals



ROHS

Conform

**Downloads**Approval/Certificate/Document of  
Conformity[DE\\_PT1301\\_20160418\\_088\\_ISSUE01.pdf](#)

Engineering Data

[EPLAN.WSCAD](#)**Safety note**

Safety notice

[Safety Information](#)