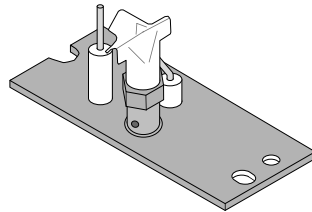


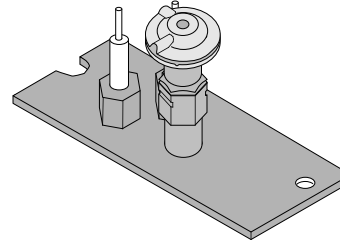
## Overview

The PSE pilot assembly may be retrofitted into Travis gas appliances using a SIT pilot assembly. This retrofit is made to improve grounding of the pilot to allow for better flame recognition. Contact Travis Industries for information on this prior to installation.

### PSE Pilot Assembly



### SIT Pilot Assembly



## Compatibility

### Gas Stoves

Avalon Cypress

### Gas Inserts

33 DVI  
DVL

### Gas Fireplaces

864 HO

## Packing List

- PSE Pilot Assembly
- Pilot Gasket
- LP Pilot Orifice (.014)
- 1/16" Pilot Shim
- (2) 10-24 3/8" Screws
- (2) Cable Ties

## Pilot Configuration

Because the SIT and PSE pilots are not identical in height, you may be required to add shims between the pilot bracket and pilot assembly to achieve the correct pilot height. Refer to the list below to determine which shims are required for your installation. Those appliances that use "box" style pilot brackets also require use of the included pilot gasket.

### **Avalon Cypress**

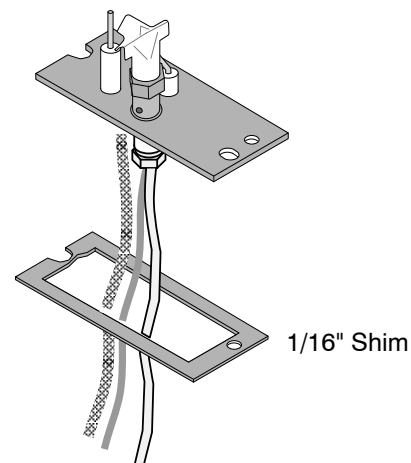
No shims or gaskets required.

### **DVL and 33 DVI Gas Inserts**

Use pilot gasket underneath the pilot assembly (discard old gasket).

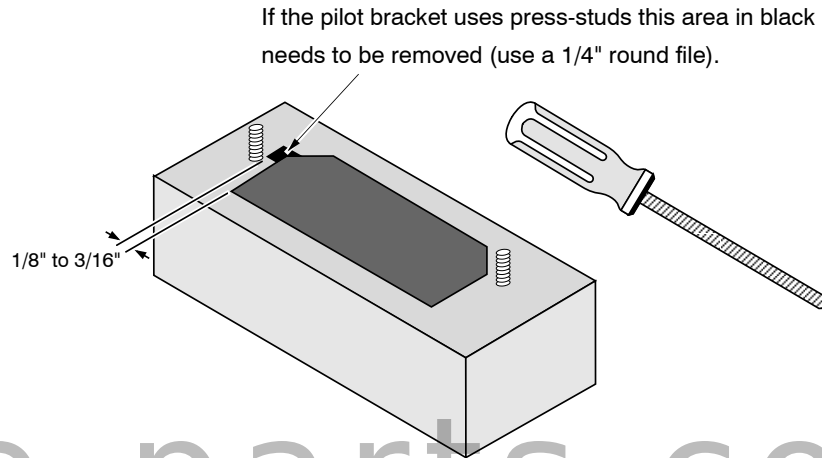
### **864 HO**

Install the 1/16" shim under the pilot assembly during installation as shown to the right.

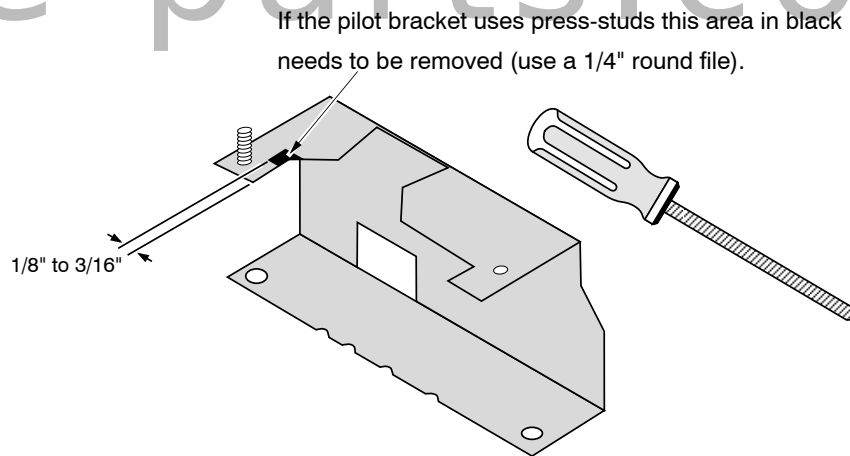


## Modifying the Pilot Bracket for Proper Fitment

The PSE pilot assembly has a screw on the baseplate that interferes with the pilot mounting bracket in certain circumstances. If your pilot bracket uses a press stud (or studs) you will need to file down the pilot bracket as shown below. Test-fit the pilot bracket prior to installation to verify fitment.



fire-parts.com



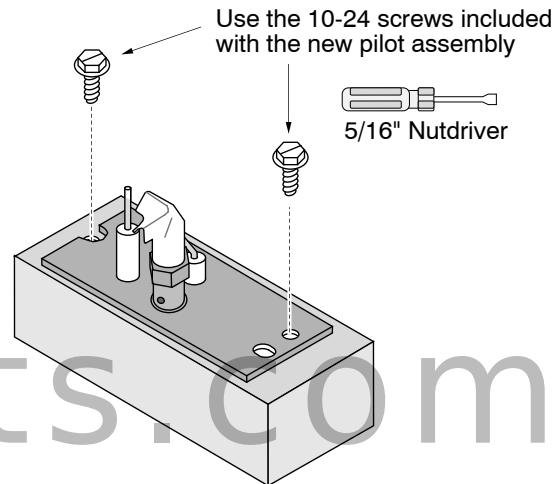
## Installation

**NOTE:** The pilot connections (pilot tube, spark and flame detection wires) on the two different pilot assemblies are not interchangeable. Replace the entire assembly including the pilot tube, spark wire, and flame detection wire.

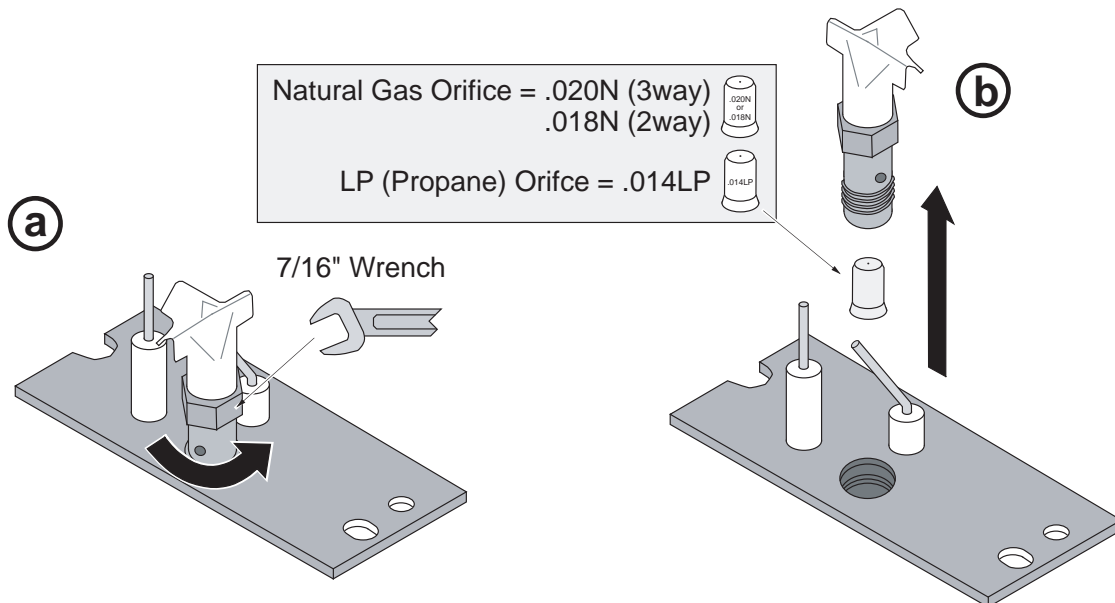
- 1 Remove the existing pilot assembly and discard. On inserts, this will require removal of the burner tray.
- 2 Install the PSE pilot assembly. On "box" style pilot brackets, install the pilot gasket under the pilot assembly. On "shelf" style brackets, seal the area where the pilot connections penetrate the firebox with high-temperature silicone.

### **If Your Appliance Uses 2 Screws for Pilot Assembly Attachment**

Certain pilot assemblies are held in place with 2 screws. These models often did not provide adequate grounding when the screws are re-installed. Use the included 10-24 screws to attach the pilot assembly. If your appliance has a press stud (or studs), you may disregard this step.



- 3 If using LP, install the LP orifice following the directions below.
  - (a) Use a 7/16" open-end wrench to remove the pilot hood.
  - (b) Remove and discard the Natural Gas (NG) orifice. Place the LP orifice in the pilot assembly then replace the pilot hood, tightening the pilot hood until it is snug (do not over-tighten).



- 4 Restore the appliance to the correct configuration. Use the included cable ties to prevent any wiring from contacting hot or moving components. Turn on gas to the appliance, start the burner, and leak-test the appliance.