

SIT 820 VALVE CONVERSION

- Turn control knob to the "OFF" position, and shut off the gas supply to the valve.
- Allow the valve to cool down to room temperature.
- Remove the black protection cap by hands (fig. 1).
- Insert a 5/32" or 4 mm Allen wrench into the exagonal key-way of the screw (fig. 2), rotate it counter-clockwise until it is free and extract it.
- Check that the screw is clean and if necessary remove dirt.
- Flip the screw (fig. 3).
- Using the Allen wrench as shown in fig. 4, rotate the screw clockwise until a torque of 9 in ·lbs.

WARNING!

Do not overtighten the screw.

Recommended to grip the wrench by the short side.

- Verify that if the conversion is from NG to LPG, the screw must be re-assembled with the red o-ring visible (fig. 5).
- If the conversion is from LPG to NG, the red o-ring of the screw must be not visible (fig. 6).
- Re-assemble the black protection cap (fig. 7).

WARNING!

Check that also the pilot and main burner injectors are appropriate for the gas type.

- Restore gas to system and re-light appliance according to manufactures instructions.
- Relight the main burner in both the "HI" and "LO" positions to verify proper burner ignition and operation.

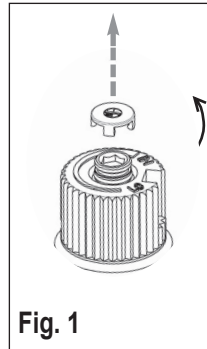


Fig. 1

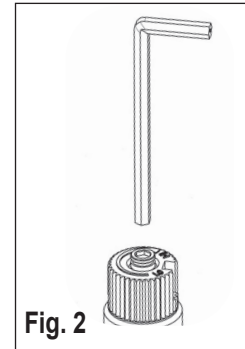


Fig. 2

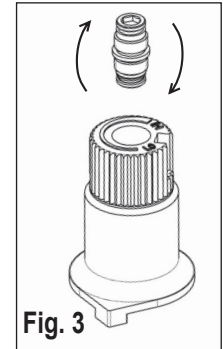


Fig. 3

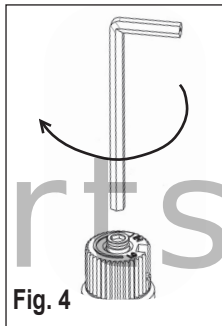


Fig. 4

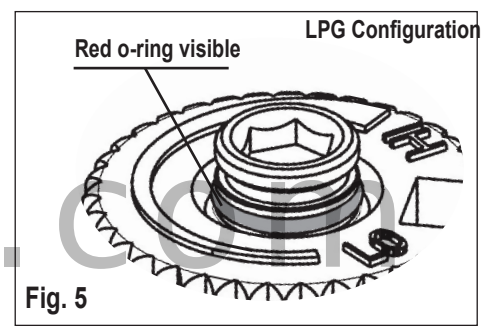


Fig. 5

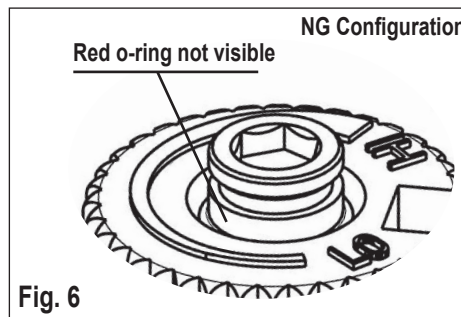


Fig. 6

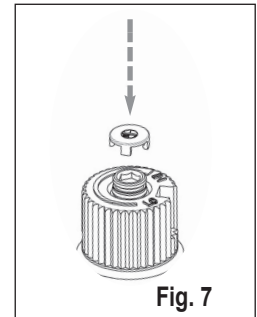


Fig. 7