

# CVB & CVF Type



SB-ISS type stainless steel forged steel valve

## Standard material

Part name	Material
Body	316L SS
Bellows	316L SS
Disk	PTFE or PCTFE *1 *3
Disk holder	316L SS
Bellows flange	316L SS
Bonnet	304 SS
Bonnet gasket	PCTFE *3
Pipe	316L SS
Handle	Aluminum

## Test inspection

### Pressure proof test

1.5 MPa

### Sealing and valve seat leak test

1.1 MPa

### He leak test (vacuum method)

External:  $5.05 \times 10^{-10}$  Pa·m<sup>3</sup>/sec or less

Valve seat:  $1.00 \times 10^{-6}$  Pa·m<sup>3</sup>/sec or less \*2

(\*1) PTFE is the standard for the disk material. PCTFE can be specified.

(\*2)  $5.05 \times 10^{-10}$  Pa·m<sup>3</sup>/sec or less for PCTFE.

(\*3) Can be made with the polyimide material.



## Specification

Size	Operating pressure (MPa)	Operating temperature (°C)	CV value	Approximate weight (kg)*
10 A	VAC to 1	-10 to 80 (200) *3	1.7	1.3
15 A			3.0	1.5
20 A			5	1.7
25 A			8	2.3
32 A			22	6.1
40 A			25	6.2
50 A			29	9.8

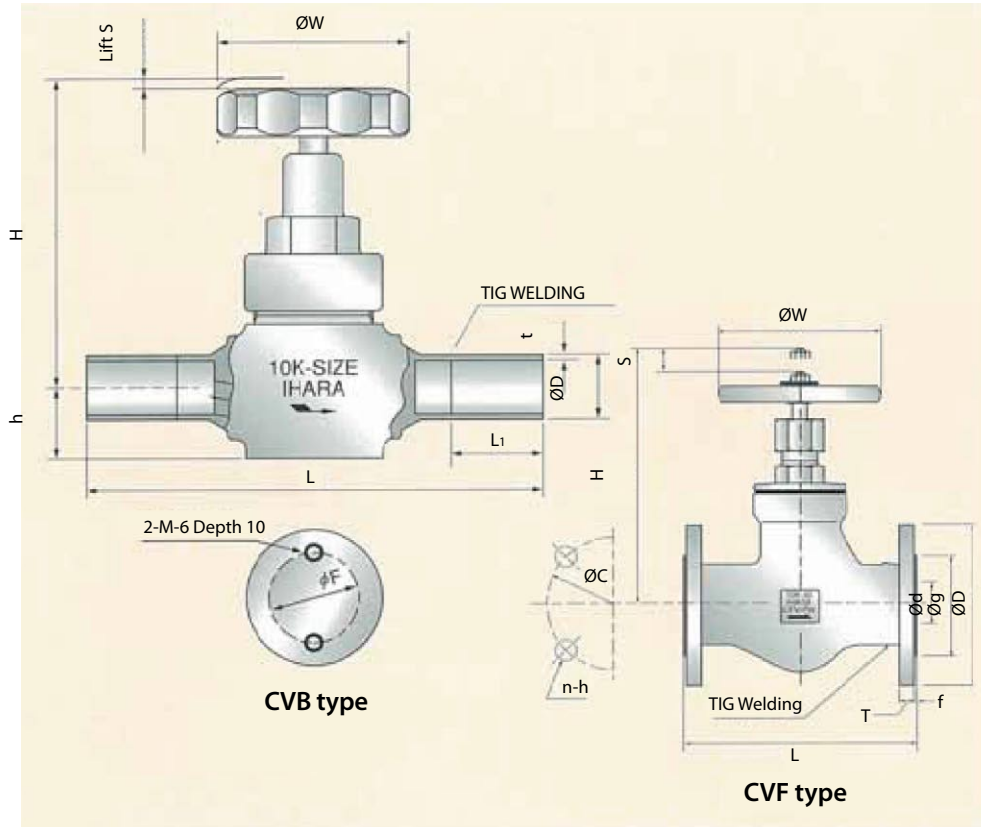
\* Short pipe connection type

## Format name

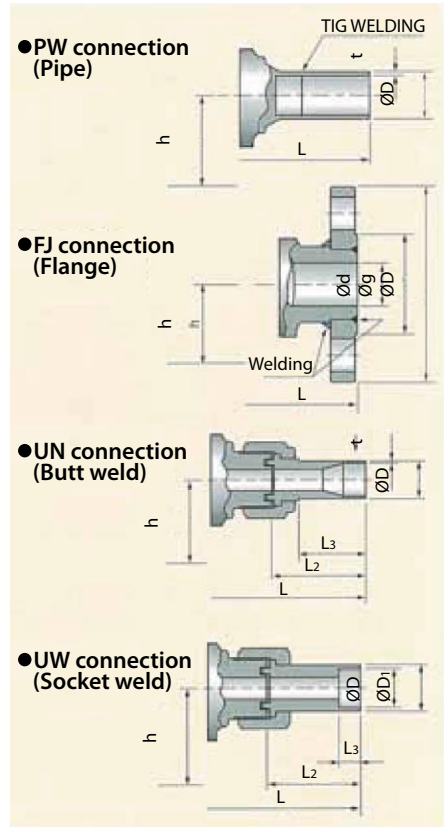
Model	Type	Size	Connection	Material	Gland material	Internal surface process
<b>CVB</b>		<b>10</b>	<b>PW5</b>	<b>6L</b>	<b>LCT</b>	<b>BA</b>
B: 10 <sup>A</sup> to 40 <sup>A</sup> F: 50 <sup>A</sup>		10: 10 <sup>A</sup> 15: 15 <sup>A</sup> 20: 20 <sup>A</sup> 25: 25 <sup>A</sup> 32: 32 <sup>A</sup> 40: 40 <sup>A</sup> 50: 50 <sup>A</sup>	PW5: Short pipe type (sch5) FJ: JIS10KRF flange UN: Union (Butt weld) UW: Union (Socket weld)	6L: 316L SS	CT: Bonnet G/PCTFE : Disk/PTFE C : Bonnet G/ PCTFE : Disk/PCTFE	BA: BA grade EP : EP grade

# Bellows Valve CVB & CVF Series

## Dimensions



## Connection diagram



## Measurement table

Pipe end														
Model	Size	D	t	L	L <sub>1</sub>	H	h	W	S	F				
CVB-10PW5	10 A	17.3	1.2	200	55	104	24	63	4	30				
CVB-15PW5	15 A	21.7	1.65	200	50	104	24	63	4	30				
CVB-20PW5	20 A	27.2	1.65	200	50	113	28	63	5	35				
CVB-25PW5	25 A	34.0	1.65	210	50	126	33	80	6	40				
CVB-32PW5	32 A	42.7	1.65	265	57.5	203	50	100	13	56				
CVB-40PW5	40 A	48.5	1.65	270	60	203	50	100	13	56				
CVF-50PW5	50 A	60.5	1.65	277	51	246	—	160	18	—				
Flange														
Model	Size	d	D	g	L	C	T	n-h	f	H	h	W	S	F
CVB-10FJ	10 A	12	90	46	100	65	12	4-15	1	104	24	63	4	30
CVB-15FJ	15 A	18.5	95	51	108	70	12	4-15	1	104	24	63	4	30
CVB-20FJ	20 A	22.5	100	56	117	75	14	4-15	1	113	28	63	5	35
CVB-25FJ	25 A	30.5	125	67	127	90	14	4-19	1	126	33	80	6	40
CVB-32FJ	32 A	43	135	76	165	100	16	4-19	2	203	50	100	13	56
CVB-40FJ	40 A	40	140	81	165	105	16	4-19	2	203	50	100	13	56
CVF-50FJ	50 A	60.5	155	96	230	120	16	4-19	2	244	—	160	18	—
Union connection (Butt weld)														
Model	Size	D	t	L	L <sub>1</sub>	L <sub>2</sub>	L <sub>3</sub>	H	h	W	S	F		
CVB-10UN	10 A	17.3	1.2	160	90	35	30	104	24	63	4	30		
CVB-15UN	15 A	21.7	1.65	170	100	35	30	104	24	63	4	30		
CVB-20UN	20 A	27.2	1.65	188	110	39	44	113	28	63	5	35		
CVB-25UN	25 A	34.0	1.65	234	120	57	52	126	33	80	6	40		
Union connection (Socket weld)														
Model	Size	D	D <sub>1</sub>	L	L <sub>1</sub>	L <sub>2</sub>	L <sub>3</sub>	H	h	W	S	F		
CVB-10UW	10 A	17.3	21.5	150	90	30	10	104	24	63	4	30		
CVB-15UW	15 A	21.7	27	170	100	35	10	104	24	63	4	30		
CVB-20UW	20 A	27.2	32.5	180	110	35	15	113	28	63	5	35		
CVB-25UW	25 A	34.0	39	190	120	35	15	126	33	80	6	40		

\* The contents of this catalog are subject to change without notice due to improvement of products.



• 17971 Sky Park Circle Suite B Irvine, California 92614  
 Phone: 949.387.3727 Fax: 949.387.3727

■ URL: <http://www.iharascience.com>

• Nagoya Office: Phone: 052-323-2627  
 • Hiroshima Office: Phone: 082-223-4521

• Osaka Office: Phone: 06-6581-0881

• Kyushu Office: Phone: 096-386-5353

• Yamagata Office: Phone: 0237-43-7802