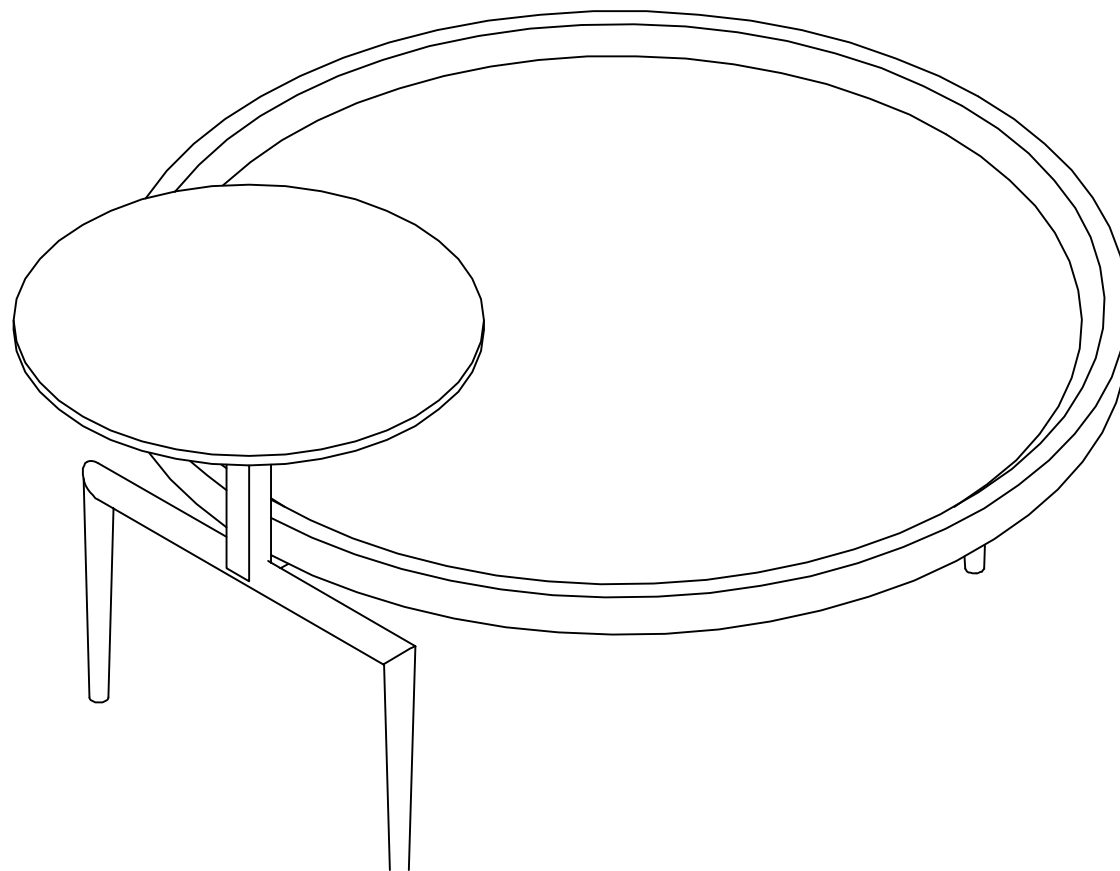


SHUBERT

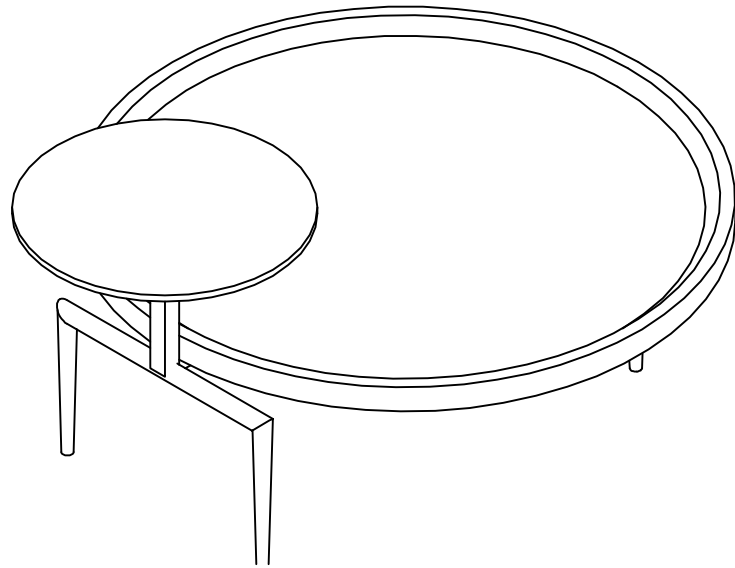


MODLOFT

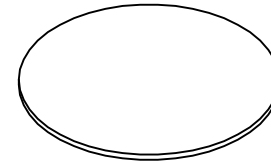


ASSEMBLY INSTRUCTION SHUBERT MD437

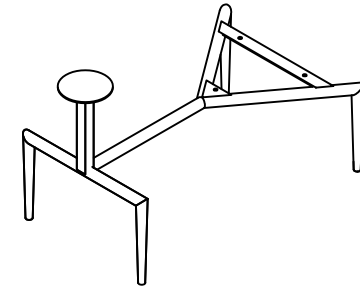
PARTS



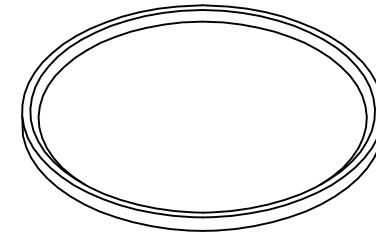
① x 1



② x 1



③ x 1



HARDWARE



M6 X 15

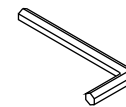
Ⓐ x 7



Ø13 X Ø7 x Ø1

Ⓑ x 7

TOOL

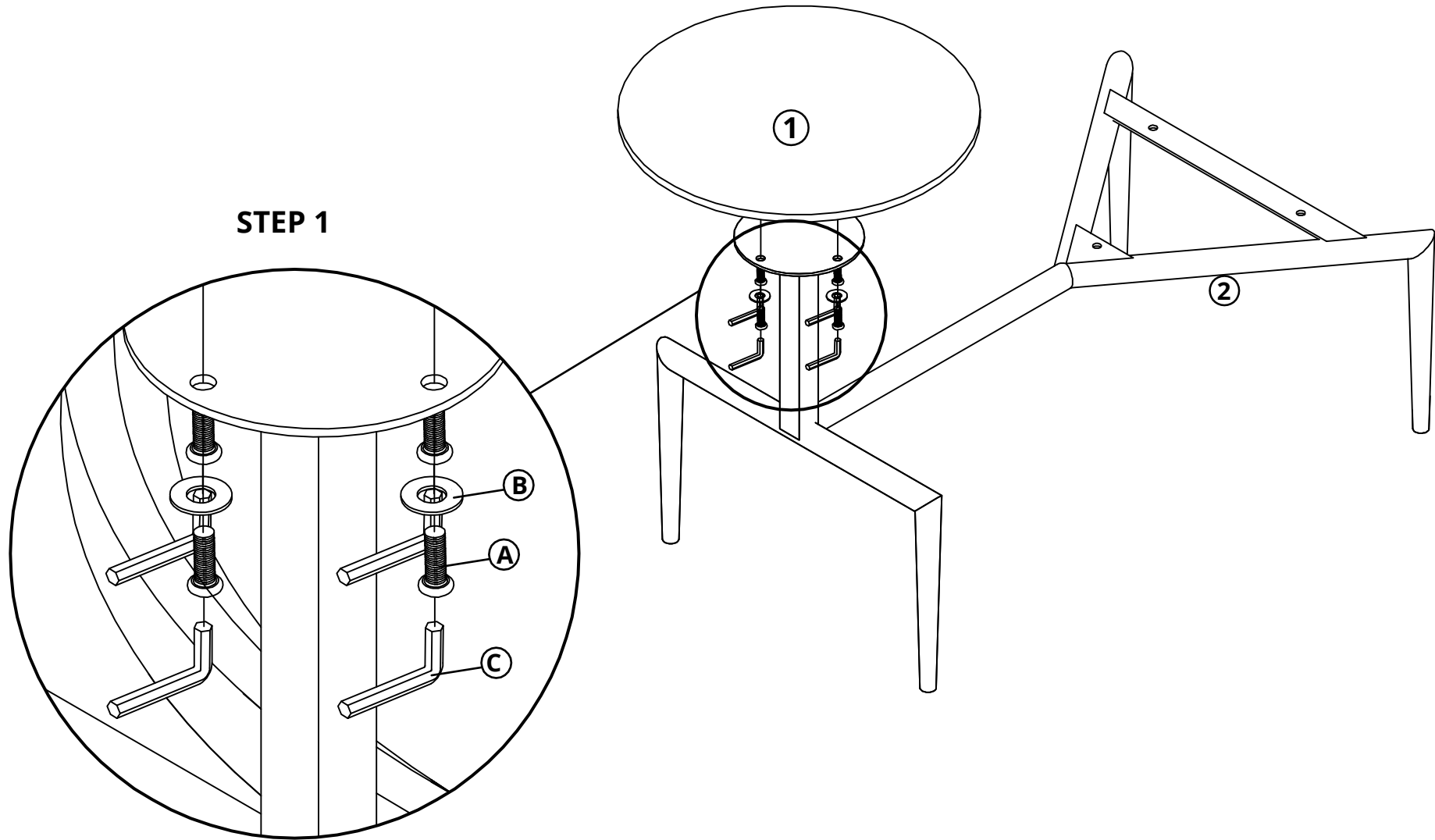


Ⓓ x 1



ASSEMBLY INSTRUCTION SHUBERT MD437

STEP 1





ASSEMBLY INSTRUCTION

SHUBERT MD437

