

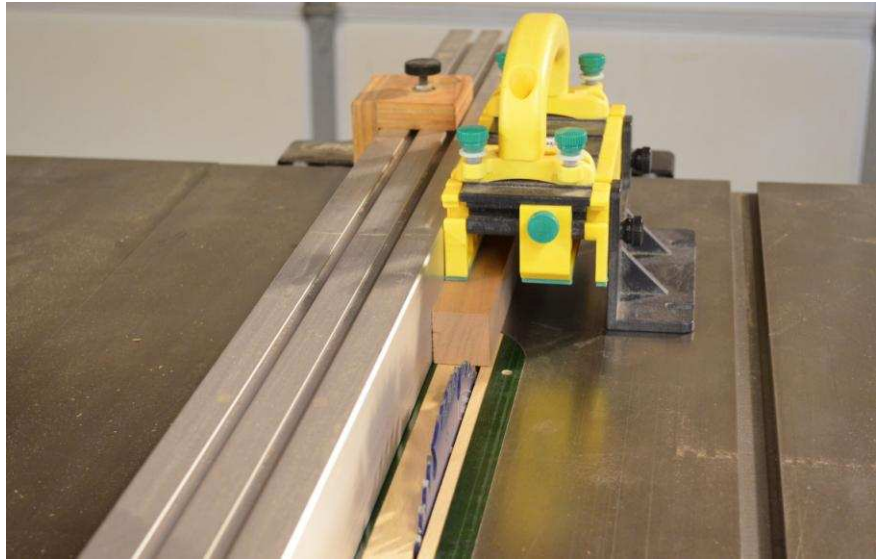
# ***Make Your Own GRR-Ripper Trailing Hook***



**A simple-to-make improvement for your GRR-Rippers**



There are times when a cut results in an off-fall part that is too narrow for the GRR-Ripper center leg to control. A “Trailing Hook” can prevent this narrow part from being kicked back at you as it is cut free, pushing it all the way past the blade.



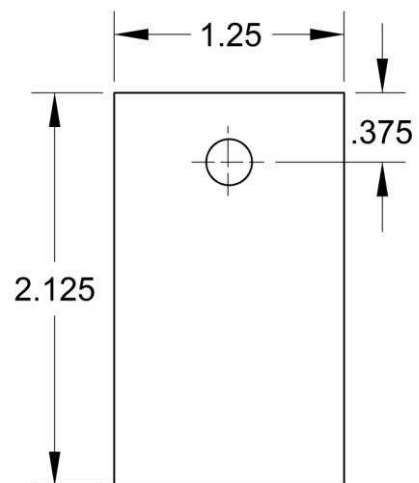
### GRHB-010 Handle Bridge Kit



Includes  
2 Handle Bridges,  
1 Trailing Hook & hardware.  
GRR-Ripper not included.

A trailing hook is included with the ‘Handle Bridge Kit’ sold as an accessory for your GRR-Rippers. The trailing hook is a sacrificial item; over time it will get chewed up. So if you don’t have one, or yours has seen better days, you can easily make your own.

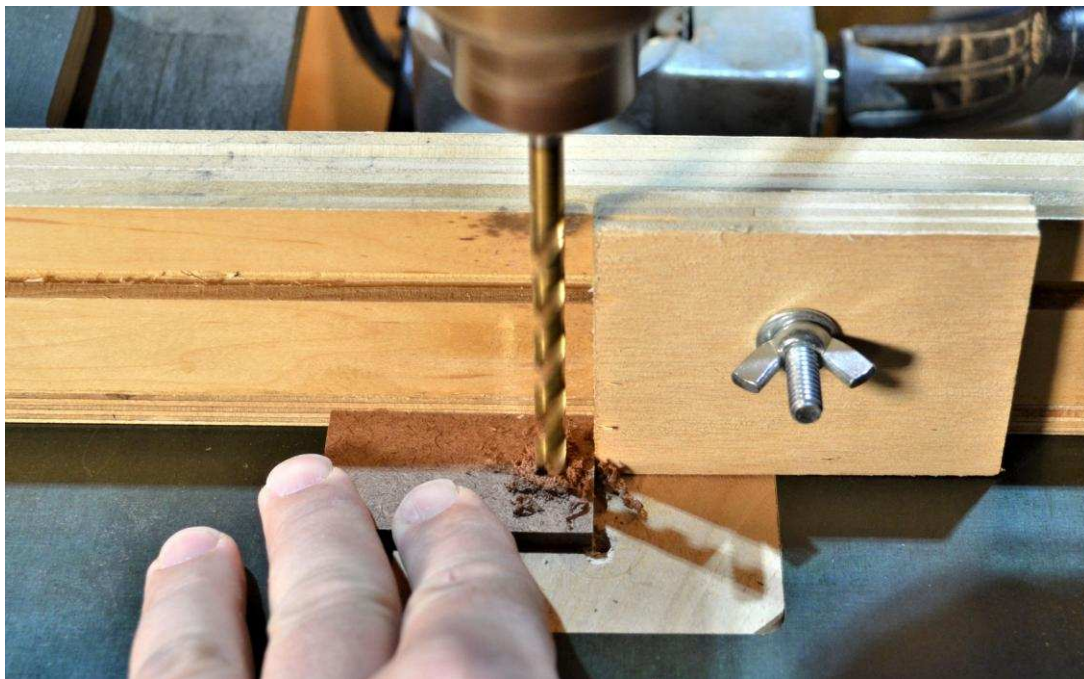
The hook is 1 1/4" wide by 2 1/8" tall with a 1/4" hole drilled in the center 3/8" down from the top. Take the time to make several so you always have one on hand when needed.



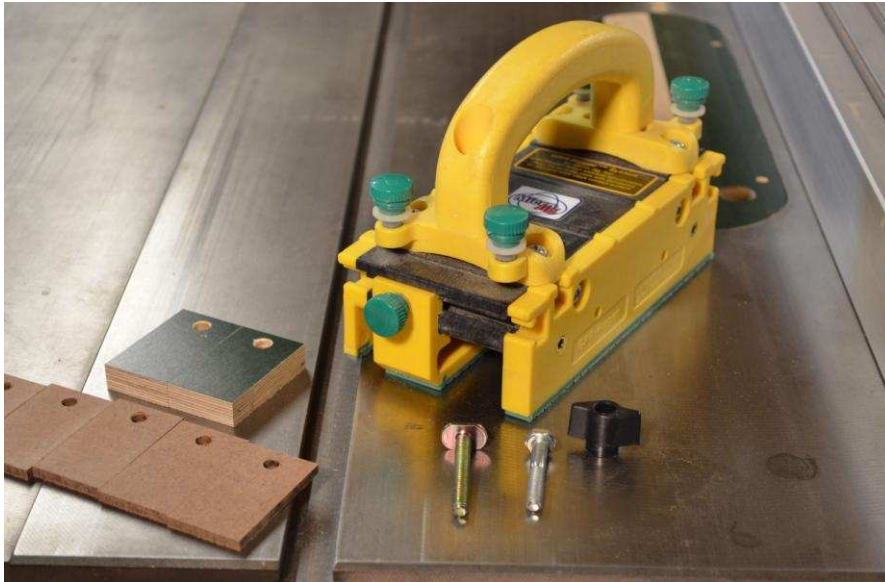




**Start by ripping a 1 1/4" strip from 1/4" or 1/2" stock, and then cross cut it into 2 1/8" long pieces. Then drill a 1/4" hole in the hook, 3/8" down from the top and centered side to side.**



The Handle Bridge Kit comes with the hardware for attaching the included Trailing Hook, but you can supply your own if needed.



A t-slot bolt (or toilet bolt) is best, but a standard 1/4-20 bolt will work too. A clamping knob or wing nut will hold it in place.

Use the T-slot in the GRR-Ripper body that the center leg mounts in. The Trailing Hook *MUST* extend a bit below the legs of the GRR-Ripper in order to work.







**Your new Trailing Hook is ready to use. Use it whenever the off-fall from your cut is too narrow to fit under the center leg. Just one more way the Micro Jig GRR-Ripper keeps you safe and improves your woodworking!**

# **Stay Safe My Friends!**