

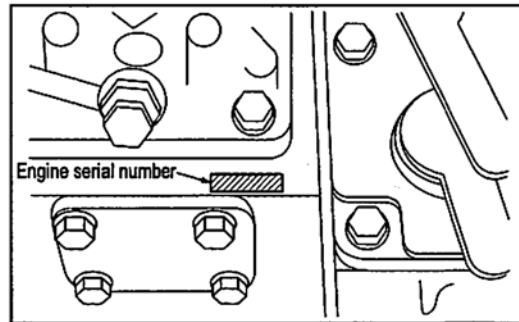
Engine Serial Number Locator
Small Industrial Diesel Engines



L3E & L2E

3. Engine serial number

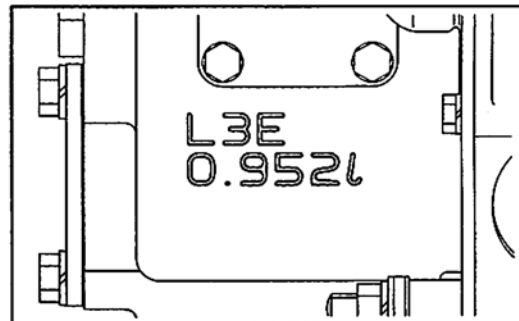
The engine serial number is stamped on the injection pump mount (upper side of tie rod cover) of the cylinder block.



Stamping position of engine serial number

4. Indication of engine model and total displacement

The engine type and displacement are stamped on the side of the injection pump mount of the cylinder block.

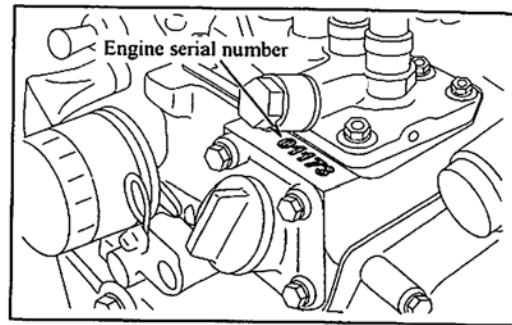


Engine model and cylinder capacity

SL Series

1.6 Engine Serial Number

The engine serial number is stamped on the top face of the fuel injection pump bracket on the right-hand side of the cylinder block.

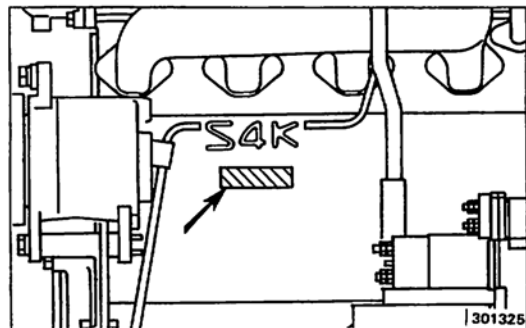


Engine serial number location

SK Series

1.4 Engine serial number location

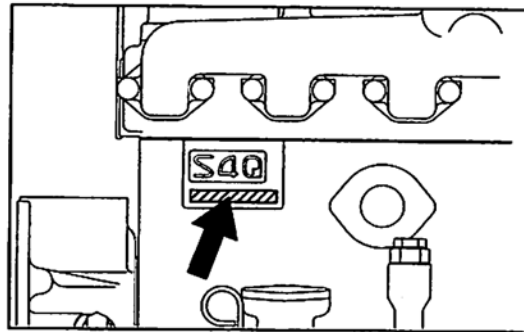
The engine serial number is stamped on the side face of crankcase.



S4Q2

Engine Serial Number

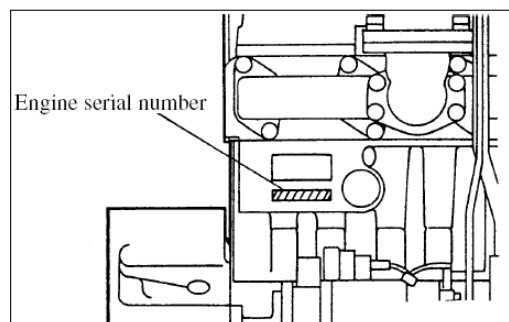
The engine serial number is stamped on the side of the crankcase



S4S & S6S

1.2 Engine Serial Number Location

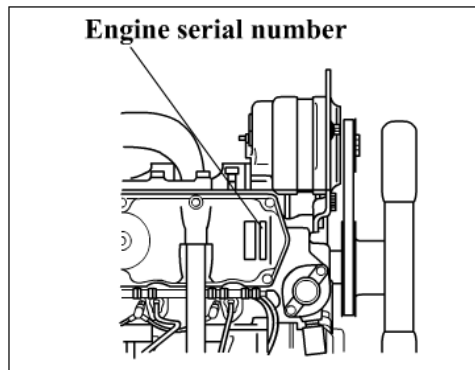
The engine serial number is located on the side of the crankcase.



K4N

- (2) The engine serial number is shown by a label attached to the top of the rocker cover. It is also stamped on the injection pump mounting surface of the cylinder block.
- (3) The engine serial number is stamped as shown below.

Engine Model	Serial number
K4N-Y1D	1001 ~



Location of engine serial number label