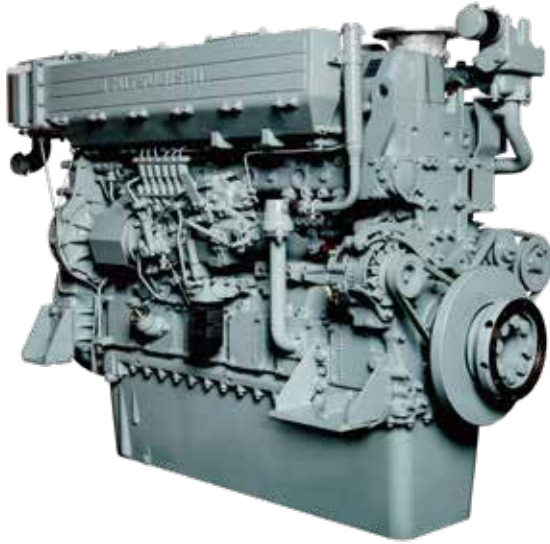


543 hp (405 kW) @ 1840 rpm Marine Diesel Engine

S6A3-Y3MPTK-4



BEST-IN-CLASS FEATURES

EPA TIER III CERTIFIED	FOR MARINE PROPULSION WITH SIMPLE AND ROBUST MECHANICAL CONTROLS
LARGE DISPLACEMENT	FOR HARD-WORKING BOATS. MORE DISPLACEMENT THAN OTHER MANUFACTURERS ENSURES LESS STRESS ON THE COMPONENTS AND LONG, TROUBLE-FREE EQUIPMENT LIFE
EASY MAINTENANCE	NO COMPUTER NEEDED TO SERVICE THE SIMPLE AND ROBUST MECHANICAL CONTROLS. INDIVIDUAL CYLINDER HEADS AND CRANKSHAFT ACCESS PORTS ALLOW FOR A TRUE IN-FRAME OVERHAUL
RATING	MITSUBISHI RATING IS EQUIVALENT TO UNRESTRICTED CONTINUOUS RATINGS OFFERED IN NORTH AMERICA
LEGENDARY QUALITY	ENGINES ARE DESIGNED, MANUFACTURED AND TESTED IN JAPAN TO MEET THE QUALITY EXPECTATIONS OF THE DEMANDING JAPANESE MARKET

SPECIFICATIONS

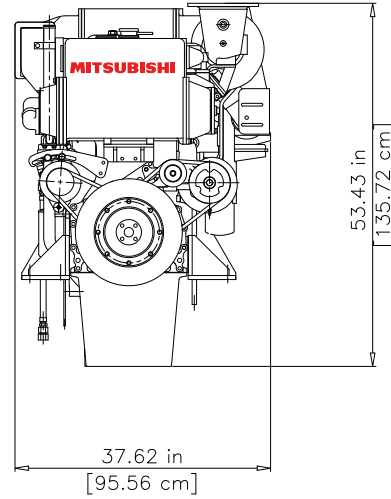
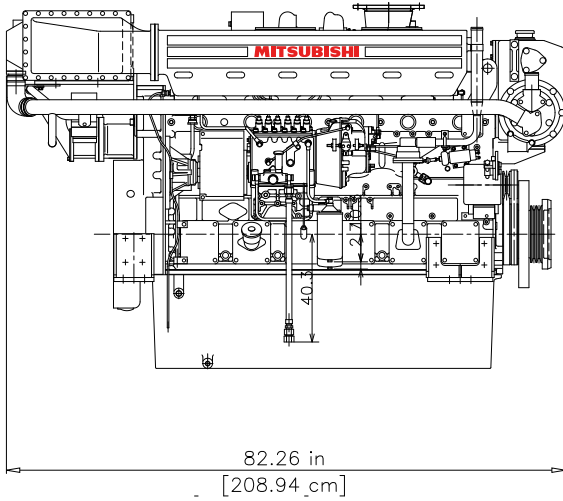
COMBUSTION	4-STROKE COMPRESSION IGNITION, 14.5:1 CR
DISPLACEMENT	18.56 LITER, 6 -CYLINDER INLINE
BORE X STROKE	150 X 175 MM (5.91 X 6.89 IN)
WEIGHT	DRY 1900 KG (4190 LB) / WET 2030 KG (4476 LB)
FLYWHEEL AND HOUSING	SAE #1, 14-INCH, 143-TOOTH FLYWHEEL
ASPIRATION	TURBOCHARGED, AFTERCOOLED
EXHAUST	DRY MANIFOLD
COOLING	HEAT EXCHANGED
OIL PAN CAPACITY	100 LITER (26.4 US GAL)
LUBE OIL SYSTEM	OIL COOLER, FULL FLOW + BYPASS OIL FILTER
FUEL SYSTEM	MECHANICAL, BOSCH S7S INLINE PUMP
GOVERNOR	MECHANICAL, RSV TYPE
STARTING SYSTEM	24V, 6KW; OPTIONAL AIR START

STANDARD EQUIPMENT

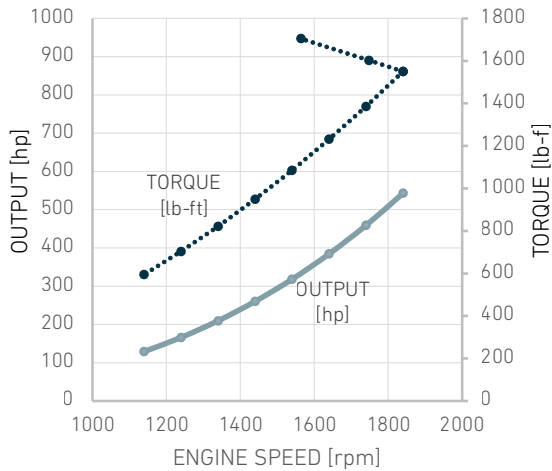
COOLING:	HEAVY-DUTY JACKET WATER PUMP, OIL COOLER, THERMOSTATS
FUEL SYSTEM:	MECHANICAL FEED PUMP, FULL-FLOW FUEL FILTER
ELECTRICAL:	6KW STARTER, 35A ALTERNATOR, STOP SOLENOID, STARTER SAFETY RELAY
PTO:	2-GROOVE FRONT PTO PULLEY, UP TO 352kW (472 hp) DIRECT DRIVE FRONT TAKE-OFF
OTHER:	MATING FLANGES, SPARE MAINTENANCE PARTS AND TOOLS
OPTIONS:	AIR START, I/C PUMP KIT, DIGITAL DISPLAY WITH DATALOGGING, GAUGE PANELS

DISCLAIMER All information provided is believed to be correct but is not guaranteed and subject to change without notice

S6A3-Y3MPTK-4/ 543 hp (405 kW) @ 1840 rpm

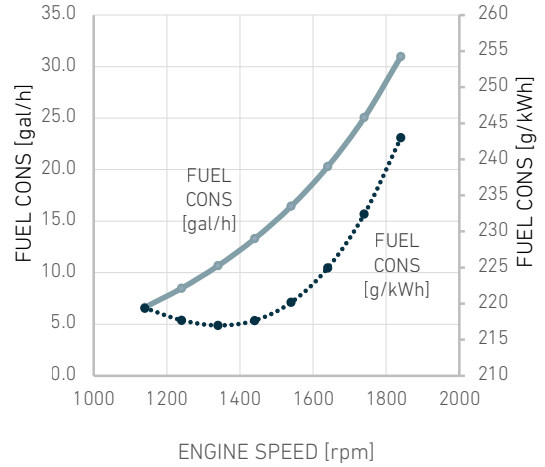


S6A3-Y3MPTK-4 543 [hp] @ 1840 [rpm]



Calculated Propeller Load

S6A3-Y3MPTK-4 543 [hp] @ 1840 [rpm]



Fuel Consumption is based on ISO3046/1 with +5% tolerance at rated power and 0.8389 fuel specific gravity

S6A3-Y3MPTK-4 543 [hp] @ 1840 [rpm]

LOAD	SPEED [rpm]	OUTPUT [hp]	TORQUE [lb-ft]
100%	1840	543	1550
85%	1740	459	1386
71%	1640	384	1231
59%	1540	318	1086
48%	1440	260	949
39%	1340	210	822
31%	1240	166	704
24%	1140	129	595

S6A3-Y3MPTK-4 543 [hp] @ 1840 [rpm]

LOAD	SPEED [rpm]	FUEL CONS [gal/h]	FUEL CONS [l/h]
100%	1840	31.0	117.3
85%	1740	25.1	94.9
71%	1640	20.3	76.9
59%	1540	16.5	62.3
48%	1440	13.3	50.4
39%	1340	10.7	40.5
31%	1240	8.5	32.2
24%	1140	6.7	25.2
Average Fuel Consumption on ISO 8178 Cycle, Mode E3		20.2	76.4

DISCLAIMER: All information provided is believed to be correct but is not guaranteed and subject to change without notice.