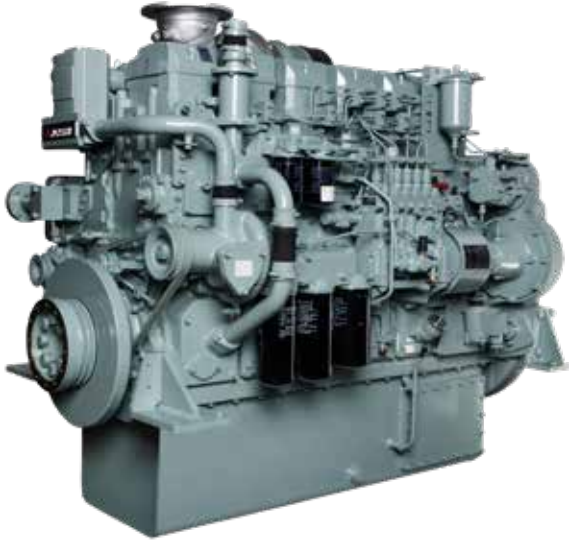


684 hp (510 kW) @ 1800 rpm Marine Diesel Engine

S6R-Y3MPTAW-1



BEST-IN-CLASS FEATURES

EPA TIER III CERTIFIED	FOR MARINE PROPULSION WITH SIMPLE AND ROBUST MECHANICAL CONTROLS
LARGE DISPLACEMENT	FOR HARD-WORKING BOATS. 29% MORE DISPLACEMENT THAN OTHER MAJOR MANUFACTURERS ENSURES LESS STRESS ON THE COMPONENTS AND LONG, TROUBLE-FREE EQUIPMENT LIFE
EASY MAINTENANCE	NO COMPUTER NEEDED TO SERVICE THE SIMPLE AND ROBUST MECHANICAL CONTROLS. INDIVIDUAL CYLINDER HEADS AND CRANKSHAFT ACCESS PORTS ALLOW FOR A TRUE IN-FRAME OVERHAUL
RATING	MITSUBISHI RATING IS EQUIVALENT TO UNRESTRICTED CONTINUOUS RATINGS OFFERED IN NORTH AMERICA
LEGENDARY QUALITY	ENGINES ARE DESIGNED, MANUFACTURED AND TESTED IN JAPAN TO MEET THE QUALITY EXPECTATIONS OF THE DEMANDING JAPANESE MARKET

SPECIFICATIONS

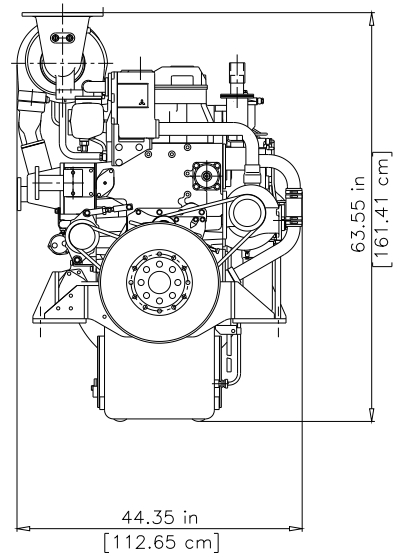
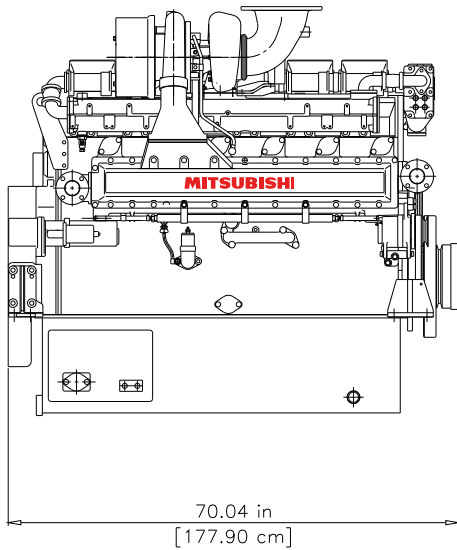
COMBUSTION	-----4-STROKE COMPRESSION IGNITION, 14.5:1 CR
DISPLACEMENT	-----24.51 LITER, 6 -CYLINDER INLINE
BORE X STROKE	----- 170 X 180 MM (6.69 X 7.09 IN)
WEIGHT	----- DRY 2830 KG (6240 LB) / WET 3015 KG (6848 LB)
FLYWHEEL AND HOUSING	----- SAE #0, 18-INCH, 182-TOOTH FLYWHEEL
ASPIRATION	----- TURBOCHARGED, AFTERCOOLED
EXHAUST	----- DRY MANIFOLD
COOLING	----- DUAL-CIRCUIT, KEEL COOLED
OIL PAN CAPACITY	----- 140 LITER (37 US GAL)
LUBE OIL SYSTEM	----- OIL COOLER, FULL FLOW + BYPASS OIL FILTER
FUEL SYSTEM	----- MECHANICAL, MITSUBISHI PS6 INLINE PUMP
GOVERNOR	----- HYDRAULIC, WOODWARD PSG
STARTING SYSTEM	----- 24V, 7.5KW; OPTIONAL AIR START

STANDARD EQUIPMENT

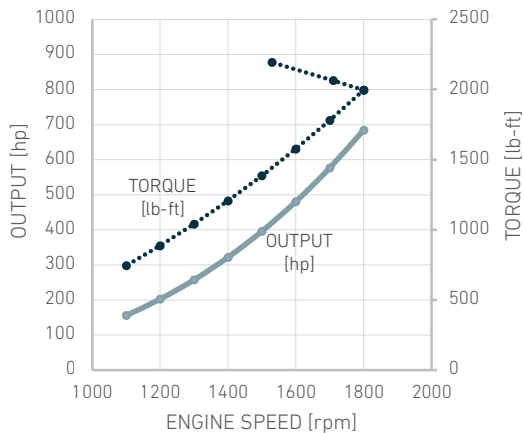
COOLING:	HEAVY-DUTY JACKET WATER PUMP, OIL COOLER, THERMOSTATS
FUEL SYSTEM:	MECHANICAL FEED PUMP, FULL-FLOW FUEL FILTER
ELECTRICAL:	7.5KW STARTER, 35A ALTERNATOR, STOP SOLENOID, STARTER SAFETY RELAY
PTO:	2-GROOVE FRONT PTO PULLEY, UP TO 478kW (641hp) DIRECT DRIVE FRONT TAKE-OFF
OTHER:	MATING FLANGES, SPARE MAINTENANCE PARTS AND TOOLS
OPTIONS:	AIR START, I/C PUMP KIT, DIGITAL DISPLAY WITH DATALOGGING, GAUGE PANELS

DISCLAIMER All information provided is believed to be correct but is not guaranteed and subject to change without notice

S6R-Y3MPTAW-1/ 684 hp (510 kW) @ 1800 rpm

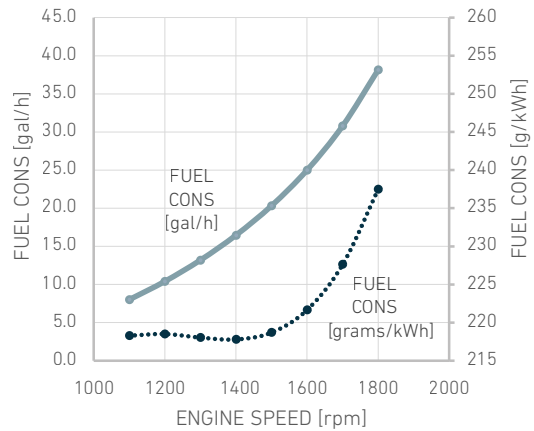


S6R-Y3MPTAW-1 684 hp @ 1800 rpm



Calculated Propeller Load

S6R-Y3MPTAW-1 684 hp @ 1800 rpm



Fuel Consumption is based on ISO3046/1 with +5% tolerance at rated power and 0.8389 fuel specific gravity

S6R-Y3MPTAW-1 684 [hp] @ 1800 [rpm]

LOAD	SPEED [rpm]	OUTPUT [hp]	TORQUE [lb-ft]
100%	1800	684	1996
84%	1700	576	1780
70%	1600	480	1577
58%	1500	396	1386
47%	1400	322	1207
38%	1300	258	1041
30%	1200	203	887
23%	1100	156	745

S6R-Y3MPTAW-1 684 [hp] @ 1800 [rpm]

LOAD	SPEED [rpm]	FUEL CONS [gal/h]	FUEL CONS [l/h]
100%	1800	38.2	144.4
84%	1700	30.8	116.6
70%	1600	25.0	94.7
58%	1500	20.3	76.9
47%	1400	16.5	62.3
38%	1300	13.2	49.9
30%	1200	10.4	39.4
23%	1100	8.0	30.3
Average Fuel Consumption on ISO 8178 Cycle, Mode E3		25.0	94.7

DISCLAIMER: All information provided is believed to be correct but is not guaranteed and subject to change without notice.