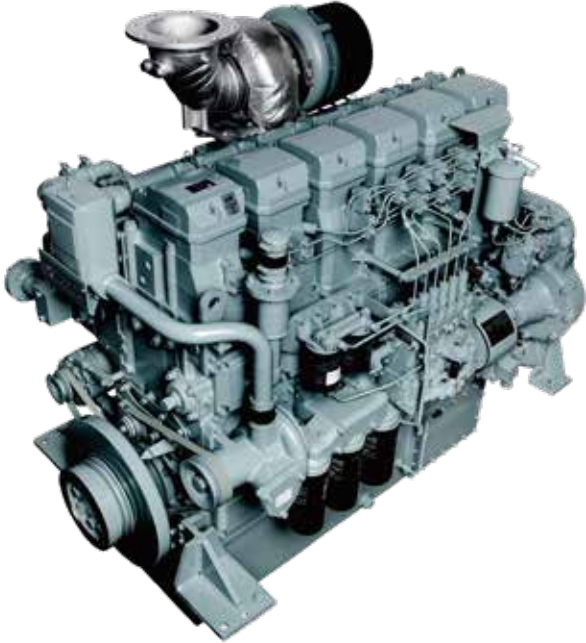


803hp (599 kW) @ 1400 rpm Marine Diesel Engine

S6R2-Y3MPTAW-2



BEST-IN-CLASS FEATURES

EPA TIER III CERTIFIED	FOR MARINE PROPULSION WITH SIMPLE AND ROBUST MECHANICAL CONTROLS
LARGE DISPLACEMENT	BIG BORE ENGINE FOR HARD-WORKING BOATS. MORE DISPLACEMENT PER CYLINDER ENSURES LESS STRESS ON THE COMPONENTS AND LONG, TROUBLE-FREE EQUIPMENT LIFE
EASY MAINTENANCE	NO COMPUTER NEEDED TO SERVICE THE SIMPLE AND ROBUST MECHANICAL CONTROLS. INDIVIDUAL CYLINDER HEADS AND CRANKSHAFT ACCESS PORTS ALLOW FOR A TRUE IN-FRAME OVERHAUL
RATING	MITSUBISHI RATING IS EQUIVALENT TO HEAVY DUTY RATINGS OFFERED IN NORTH AMERICA
LEGENDARY QUALITY	ENGINES ARE DESIGNED, MANUFACTURED AND TESTED IN JAPAN TO MEET THE QUALITY EXPECTATIONS OF THE DEMANDING JAPANESE MARKET

SPECIFICATIONS

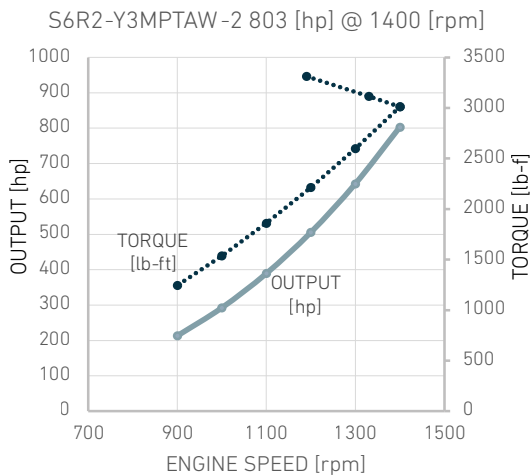
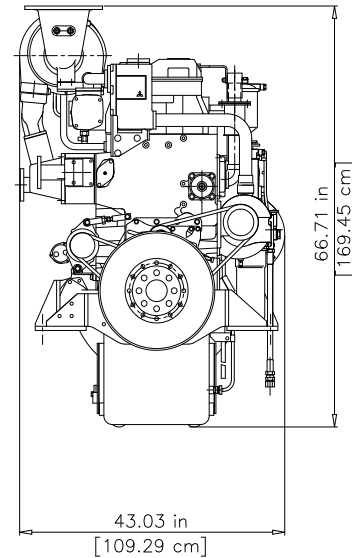
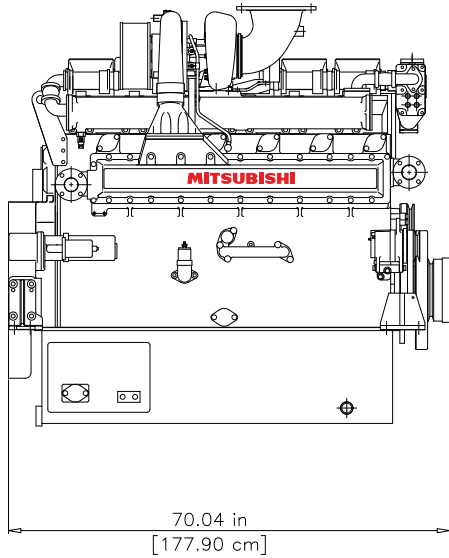
COMBUSTION	-----4-STROKE COMPRESSION IGNITION, 14.4:1 CR
DISPLACEMENT	-----29.96 LITER, 6 -CYLINDER INLINE
BORE X STROKE	----- 170 X 220 MM (6.69 X 8.66 IN)
WEIGHT	----- DRY 2900 KG (6395 LB) / WET 3090 KG (6813 LB)
FLYWHEEL AND HOUSING	----- SAE #0, 18-INCH, 182-TOOTH FLYWHEEL
ASPIRATION	----- TURBOCHARGED, AFTERCOOLED
EXHAUST	----- WET MANIFOLD
COOLING	----- DUAL-CIRCUIT, KEEL COOLED
OIL PAN CAPACITY	----- 140 LITER (37 US GAL)
LUBE OIL SYSTEM	----- OIL COOLER, FULL FLOW + BYPASS OIL FILTER
FUEL SYSTEM	----- MECHANICAL, PS6 INLINE PUMP
GOVERNOR	----- HYDRAULIC, WOODWARD PSG
STARTING SYSTEM	----- 24V, 7.5KW; OPTIONAL AIR START

STANDARD EQUIPMENT

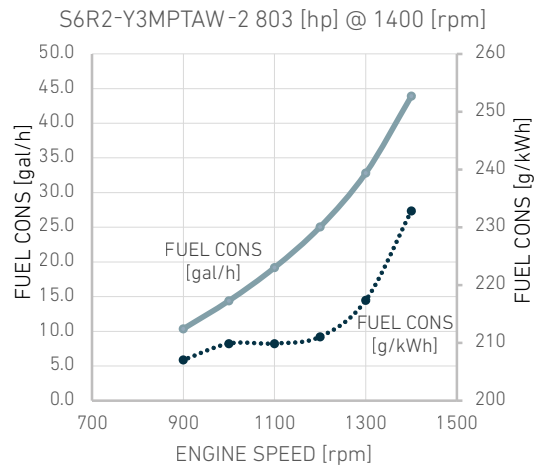
COOLING:	HEAVY-DUTY JACKET WATER PUMP, OIL COOLER, THERMOSTATS
FUEL SYSTEM:	MECHANICAL FEED PUMP, FULL-FLOW FUEL FILTER
ELECTRICAL:	7.5KW STARTER, 35A ALTERNATOR, STOP SOLENOID, STARTER SAFETY RELAY
PTO:	2-GROOVE FRONT PTO PULLEY, UP TO 370kW (496 hp) DIRECT DRIVE FRONT TAKE-OFF
OTHER:	MATING FLANGES, SPARE MAINTENANCE PARTS AND TOOLS
OPTIONS:	AIR START, I/C PUMP KIT, DIGITAL DISPLAY WITH DATALOGGING, GAUGE PANELS

DISCLAIMER All information provided is believed to be correct but is not guaranteed and subject to change without notice

S6R2-Y3MPTAW-2/ 803 hp (599 kW) @ 1400 rpm



Calculated Propeller Load



Fuel Consumption is based on ISO3046/1 with +5% tolerance at rated power and 0.8389 fuel specific gravity

S6R2-Y3MPTAW -2 803 [hp] @ 1400 [rpm]

LOAD	SPEED [rpm]	OUTPUT [hp]	TORQUE [lb-ft]
100%	1400	803	3012
80%	1300	643	2597
63%	1200	506	2213
49%	1100	390	1860
36%	1000	293	1537
27%	900	213	1245

S6R2-Y3MPTAW -2 803 [hp] @ 1400 [rpm]

LOAD	SPEED [rpm]	FUEL CONS [gal/h]	FUEL CONS [l/h]
100%	1400	43.9	166.2
80%	1300	32.8	124.2
63%	1200	25.1	94.9
49%	1100	19.2	72.7
36%	1000	14.4	54.6
27%	900	10.4	39.3
Average Fuel Consumption on ISO 8178 Cycle, Mode E3		28.4	107.5

DISCLAIMER: All information provided is believed to be correct but is not guaranteed and subject to change without notice.