

Boutique Collection Tubs

Alissa

MODEL #: 197

61.75" x 32.25" x 19.5"/21.5"



Features an integrated overflow.

GENERAL SPECIFICATIONS

**Material** - SculptureStone®

**Installation** - Freestanding

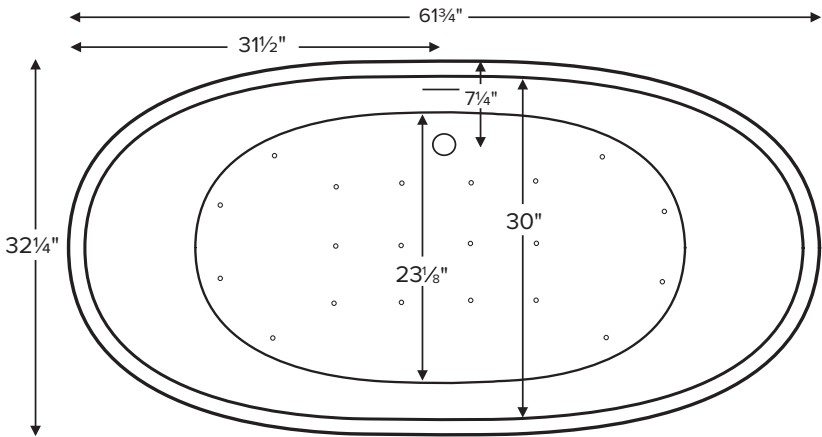
**Soaker Weight** - 205 lbs / 93 kg

**Air Bath Weight** - 240 lbs / 109 kg

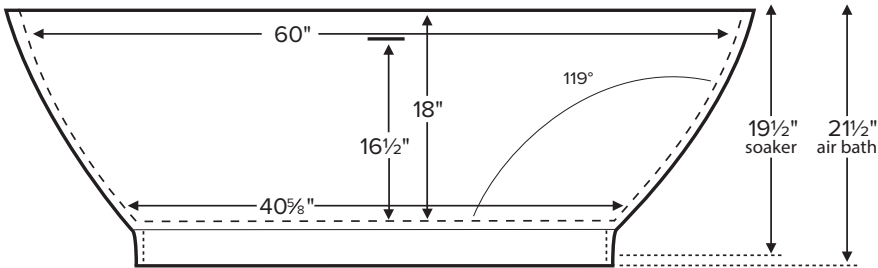
**Maximum Fill** - 74 gal to overflow

May also be undermounted. Must specify on order. Not recommended as a tub / shower combination.

NOTE: Filling this tub to the maximum may require an above average size or dedicated water heater.



Shown above as an Air Bath.



ELECTRICAL COMPONENTS & SPECIFICATIONS		
Required Electrical Service - 110 Volt		
Hydrotherapy Package	Components Included	GFCI
Air Massage	heated blower	1-15 amp
CSA Certified C/US; ANSI Z124.1 and ANSI 112.19.7		

See the Installation & Operation Manual for more details.  
 MTI's Customer Service: Monday-Friday 8am-6pm EST  
 800-783-8827 or service@mtibaths.com

IMPORTANT ORDERING & INSTALLATION INFORMATION

- Before ordering or installing, please consider future access to equipment.
- Includes an integrated overflow with toe tap drain in chrome finish. May be specified without an overflow (see local codes before ordering without an overflow).
- Air baths require job site preparation for remote installation of the blower and required check valve. Check valve must be installed higher than the rim of the tub.
- Waterproof remote control included with air bath. Keypad shipped loose may be remote mounted on nearby surface/wall.
- Faucet valves cannot be mounted on this tub model.

• Before discarding tub crate, check for accessories that may be packaged inside.  
 • All product measurements are ±1/2".  
 • Specifications and configurations are subject to change without notice.  
 • Measurements herein supersede all others published prior to publication date below.



For more information on options and accessories go to SculptureStone® Tubs Options on mtibaths.com

Alissa

MODEL #: 197

61.75" x 32.25" x 19.5"/21.5"

- Blower & required check valve for airbath must be remote mounted. Check valve must be installed higher than the rim of the tub.
- See the Installation & Operation Manual for more details.

Hydrotherapy	Package Contents	Part #	MSRP	
Soaker	Soaking bath - no jets. Includes an integrated slotted overflow with a toe-tap drain kit.	S197	\$7,450	Crate / Handling Fee Applies
Air Bath	20 air jets, heated air blower, keypad, waterproof remote control, integrated slotted overflow with a toe-tap drain kit.	AST197	\$12,440	Crate / Handling Fee Applies

Options <small>Must be ordered at time of purchase</small>
Quick Ship (QSPRI2) <b>\$950</b> reduces lead time <i>Please call for availability</i>
Standard Color White, matte finish Biscuit Color Upgrade (SSBI) <b>\$285</b> matte finish <i>Additional material colors available for projects only. Please call MTI.</i>
Hand-Polished Deep Gloss Finish (SSGLOSS) <b>\$965</b> upcharge For white or biscuit
Exterior Color <b>\$1,630</b> (SSCOLTG) Gloss Finish (SSCOLTM) Matte Finish Must specify color code: Sapphire Blue (SB), Blue Lagoon (BL), Terracotta (TC), Onyx (OX), Nightfall (NF), Stratus Gray (TG), Stormgray (SG), Moonstone (MS) <i>Adds 20 business days to standard lead time.</i>

Accessories
Teak Bath Mat (TKMAT3018) <b>\$740</b> Measures 30" x 17.5" x 1" <i>Custom sizes also available. Contact MTI for details.</i>
Floor-Mounted High-Flow Tub Filler Contemporary Chrome (FILLC) <b>\$1,480</b> Br. Nickel (FILLBN) <b>\$1,710</b> Traditional Chrome (FILLTC) <b>\$1,505</b> Br. Nickel (FILLTBN) <b>\$1,745</b>
SculptureStone® Tub Tray Without Stemware Holder (SSTRAY1) <b>\$315</b> With Stemware Holder (SSTRAY2) <b>\$415</b> <i>Color and finish will come matched with tub</i>
Teak Tub Tray Slatted (TK-TRAY1) <b>\$455</b> Solid (TK-TRAY2) <b>\$520</b> <i>Order with tub for best fit</i>

**Drains & Overflow Kits** Must be ordered at time of purchase

**Toe Tap Drain Cover Finishes**  
PVC drain - Chrome included  
+**\$30** upcharge Br. Nickel (WIOBN), Pol. Nickel (WIOPN)  
+**\$65** upcharge Matte Black (WIOMB)  
+**\$105** upcharge Oil-Rubbed Bronze\* (WIOOR)  
+**\$580** upcharge Special Finish\* (WIOSF)  
*Send finish sample to MTI Baths for best match.*

Boutique Accessories Packaging / Handling Fee Applies
SculptureStone® Bathroom Table (TABLE) <b>\$765</b> matte finish + <b>\$400</b> gloss finish upcharge (SSGLOSSSNK) <i>Order with tub for best color match</i>
SculptureStone® Standard Faucet Stand Small - 3-hole capacity 14¼" w x 21¾" h Matte (STAND) <b>\$670</b> Large - 5-hole capacity 22" w x 21¾" h Matte (STANDL) <b>\$790</b> + <b>\$400</b> gloss finish upcharge (SSGLOSSSNK)
SculptureStone® Premium Faucet Stand <b>15" w x 39" h</b> Matte (SSFSR3915MT) <b>\$2,190</b> Gloss (SSFSR3915GL) <b>\$2,520</b> <b>10" w x 39" h</b> Matte (SSFSR3910MT) <b>\$1,975</b> Gloss (SSFSR3910GL) <b>\$2,340</b> <b>20" w x 23" h</b> Matte (SSFSR2320MT) <b>\$1,785</b> Gloss (SSFSR2320GL) <b>\$2,145</b> <b>15" w x 23" h</b> Matte (SSFSR2315MT) <b>\$1,690</b> Gloss (SSFSR2315GL) <b>\$2,020</b>

**Toe Tap SculptureStone® Drain Cover Finishes**  
White only  
+**\$85** upcharge Matte Finish (SSWIOMT)  
+**\$100** upcharge Gloss Finish (SSWIOGL)  
Brass Tailpiece (WIOBS) **\$70** in addition to finish charge listed above  
Quick Drain Kit (WOQ) **\$430**

\* MTI has selected an oil-rubbed bronze finish that is compatible with Delta and many other manufacturers. To ensure best match, order as a Special Finish and submit a sample.  
CSA # MTCT-197

\* Allow 2-4 weeks lead time for Special Finishes.  
Send sample for best match.

