

Boutique Collection Tubs

Elena

MODEL #: 220

220R 65" x 32" x 22.5"

220F 65" x 32" x 21.5"

GENERAL SPECIFICATIONS

Material - SculptureStone®

Installation - Freestanding

Soaker Weight - 335 lbs / 152 kg

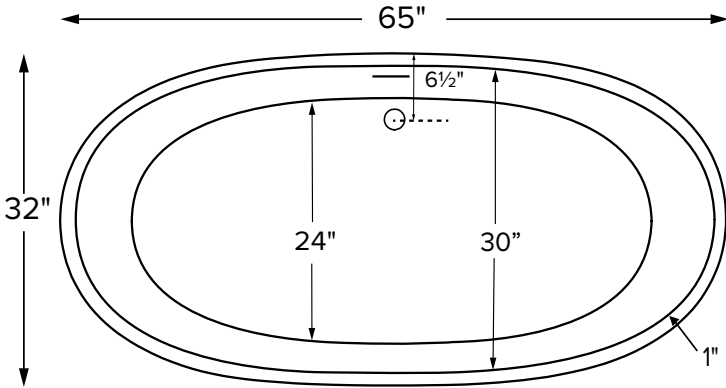
Air Bath Weight - 365 lbs / 166 kg

Maximum Fill - 102 gal to overflow

NOTE: Filling this tub to the maximum may require an above average size or dedicated water heater.



Features an integrated overflow and half rolled rim.
Also available with tub cradle. 220C with Cradle

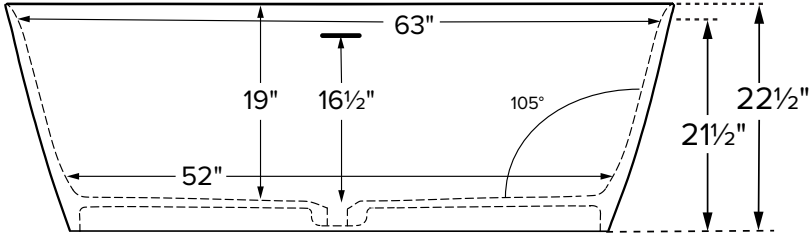


Half-Rolled Rim



Flat Rim
(reduces overall height by 1")

Elena is available with a half-rolled or flat rim.
Tub height will vary based upon features selected.



ELECTRICAL COMPONENTS & SPECIFICATIONS		
Required Electrical Service - 110 Volt		
Hydrotherapy Package	Components Included	GFCI
Air Massage	heated blower	1-15 amp
CSA Certified C/US; ANSI Z124.1 and ANSI 112.19.7		

See the Installation & Operation Manual for more details.
MTI's Customer Service: Monday-Friday 8am-6pm EST
800-783-8827 or service@mtibaths.com

IMPORTANT ORDERING & INSTALLATION INFORMATION

- Before ordering or installing, please consider future access to equipment.
- Includes an integrated overflow with toe tap drain in chrome finish. May be specified without an overflow (see local codes before ordering without an overflow).
- Air baths require job site preparation for remote installation of the blower and required check valve. Check valve must be installed higher than the rim of the tub.
- Waterproof remote control included with air bath. Keypad shipped loose may be remote mounted on nearby surface/wall.
- Faucet valves cannot be mounted on this tub model.

• Before discarding tub crate, check for accessories that may be packaged inside.
• All product measurements are ±1/2".
• Specifications and configurations are subject to change without notice.
• Measurements herein supersede all others published prior to publication date below.



For more information on options and accessories go to SculptureStone® Tubs Options on mtibaths.com

Elena

MODEL #: 220

220R 65" x 32" x 22.5"

220F 65" x 32" x 21.5"

- Blower & required check valve for airbath must be remote mounted. Check valve must be installed higher than the rim of the tub.
- See the Installation & Operation Manual for more details.

Hydrotherapy	Package Contents	Part #	MSRP	
Soaker	Soaking bath - no jets. Includes an integrated slotted overflow with a toe-tap drain kit.	S220R (Half-Rolled Rim)	\$7,900	Crate / Handling Fee Applies
		S220F (Flat Rim)		
Air Bath	20 air jets, heated air blower, keypad, waterproof remote control. Includes an integrated slotted overflow with a toe-tap drain kit.	AST220R (Half-Rolled Rim)	\$12,890	Crate / Handling Fee Applies
		AST220F (Flat Rim)		

Options <i>Must be ordered at time of purchase</i>
Quick Ship (QSPRI2) \$950 reduces lead time <i>Please call for availability</i>
Standard Color White, matte finish Biscuit Color Upgrade (SSBI) \$285 matte finish <i>Additional material colors available for projects only. Please call MTI.</i>
Hand-Polished Deep Gloss Finish (SSGLOSS) \$965 upcharge For white or biscuit
Exterior Color \$1,630 (SSCOLTG) Gloss Finish (SSCOLTM) Matte Finish Must specify color code: Sapphire Blue (SB), Blue Lagoon (BL), Terracotta (TC), Onyx (OX), Nightfall (NF), Stratus Gray (TG), Stormgray (SG), Moonstone (MS) <i>Adds 20 business days to standard lead time.</i>

Accessories
Teak Bath Mat (TKMAT3018) \$740 Measures 30" x 17.5" x 1" <i>Custom sizes also available. Contact MTI for details.</i>
Floor-Mounted High-Flow Tub Filler Contemporary Chrome (FILLC) \$1,480 Br. Nickel (FILLBN) \$1,710 Traditional Chrome (FILLTC) \$1,505 Br. Nickel (FILLTBN) \$1,745
SculptureStone® Tub Tray Without Stemware Holder (SSTRAY1) \$315 With Stemware Holder (SSTRAY2) \$415 <i>Color and finish will come matched with tub</i>
Teak Tub Tray Slatted (TK-TRAY1) \$455 Solid (TK-TRAY2) \$520 <i>Order with tub for best fit</i>

Drains & Overflow Kits *Must be ordered at time of purchase*

Toe Tap Drain Cover Finishes
PVC drain - Chrome included + \$30 upcharge Br. Nickel (WIOBN), Pol. Nickel (WIOPN) + \$65 upcharge Matte Black (WIOMB) + \$105 upcharge Oil-Rubbed Bronze* (WIOOR) + \$580 upcharge Special Finish* (WIOSF) <i>Send finish sample to MTI Baths for best match.</i>

* MTI has selected an oil-rubbed bronze finish that is compatible with Delta and many other manufacturers. To ensure best match, order as a Special Finish and submit a sample.
CSA # MTCT-220

Boutique Accessories Packaging / Handling Fee Applies
SculptureStone® Bathroom Table (TABLE) \$765 matte finish + \$400 gloss finish upcharge (SSGLOSSNK) <i>Order with tub for best color match</i>
SculptureStone® Standard Faucet Stand Small - 3-hole capacity 14¼" w x 21¾" h Matte (STAND) \$670 Large - 5-hole capacity 22" w x 21¾" h Matte (STANDL) \$790 + \$400 gloss finish upcharge (SSGLOSSNK)
SculptureStone® Premium Faucet Stand 15" w x 39" h Matte (SSFSR3915MT) \$2,190 Gloss (SSFSR3915GL) \$2,520 10" w x 39" h Matte (SSFSR3910MT) \$1,975 Gloss (SSFSR3910GL) \$2,340 20" w x 23" h Matte (SSFSR2320MT) \$1,785 Gloss (SSFSR2320GL) \$2,145 15" w x 23" h Matte (SSFSR2315MT) \$1,690 Gloss (SSFSR2315GL) \$2,020
SculptureStone® Premium Component Stand 20" l x 22.5" h Matte (SSPX1MT) \$1,850 Gloss (SSPX1GL) \$2,445 <i>Compatible with select tub models.</i> <i>Go to www.mtibaths.com</i>

Toe Tap SculptureStone® Drain Cover Finishes
White only + \$85 upcharge Matte Finish (SSWIOMT) + \$100 upcharge Gloss Finish (SSWIOGL) Brass Tailpiece (WIOBS) \$70 in addition to finish charge listed above Quick Drain Kit (WOQ) \$430

* Allow 2-4 weeks lead time for Special Finishes.
Send sample for best match.

