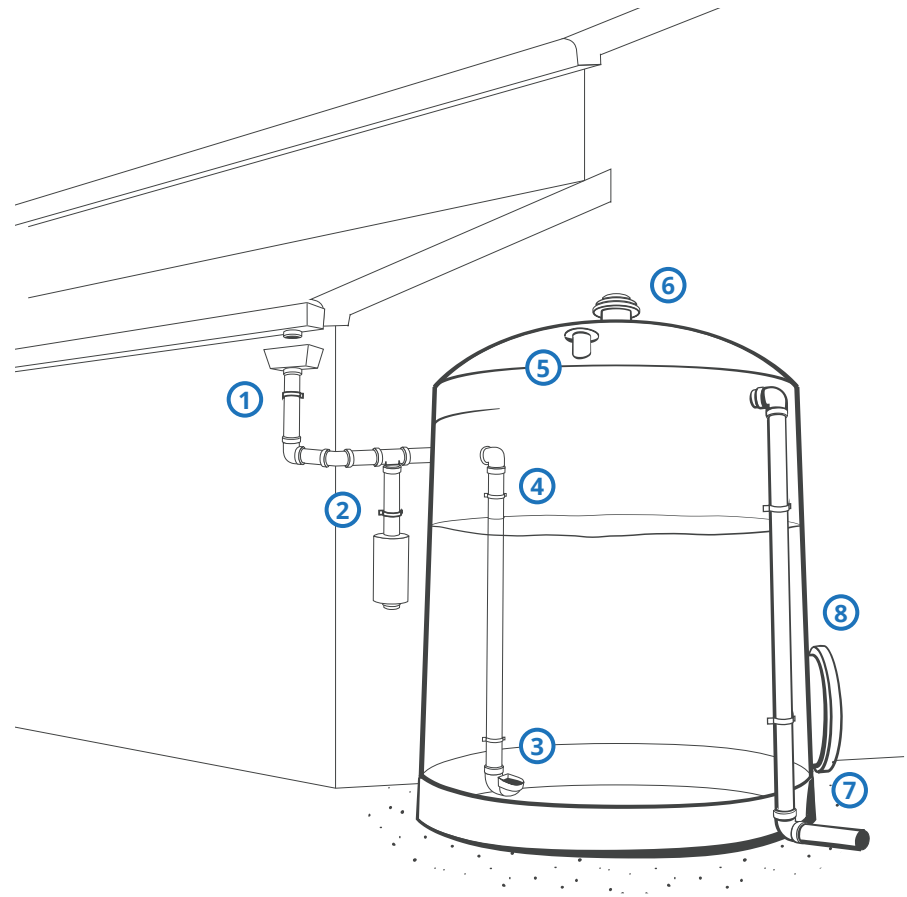




High Quality Fiberglass Above Ground Rainwater Harvesting Tanks

Offering a premium line of customizable storage tanks backed by a Seven-Year Warranty.



Common Accessories

- | | | |
|-------------------------|------------------|-----------------------|
| 1. Leaf Litter Filter | 3. Calming Inlet | 6. Mushroom Vent |
| 2. First Flush Diverter | 4. Inlet Pipe | 7. Outlet Pipe |
| | 5. Fitting | 8. 24"/30"/36" Manway |

Superior quality fiberglass storage tanks are the ideal solution for your Rainwater Harvesting needs.

- ✓ Crafted using only superior corrosion-resistant resin
- ✓ Tanks are lightweight and easily transportable to location
- ✓ High tensile strength and flexibility
- ✓ Durable and economical
- ✓ Seven-year Warranty
- ✓ Easily customizable with optional accessories and fittings

Call us to learn more
(830) 387-4027

©2019 NATIONWIDE TANK AND PIPE



nationwidetankandpipe.com

Nationwide Tank and Pipe is among North America's largest manufacturers and suppliers of composite fiberglass tanks. Our objective is to provide our customers with a quality product crafted with top of the line equipment, a short lead time and cost effective pricing.

Note: Diagram shown above is for informational purposes only. All tanks require proper design and engineering approval prior to construction.