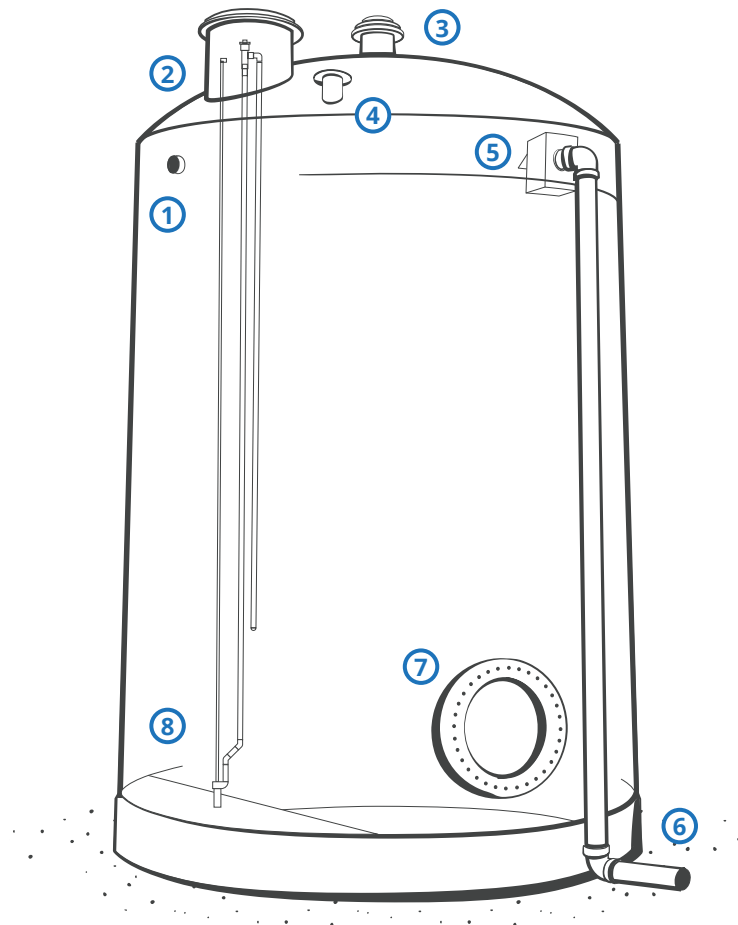




High Quality Fiberglass Above Ground Waste Water Tanks

Offering a premium line of customizable storage tanks backed by a Seven-Year Warranty.



Common Accessories

- | | | |
|-------------------|------------------|----------------|
| 1. Outlet Opening | 3. Mushroom Vent | 6. Outlet Pipe |
| 2. 24\"/> | | |

Premier fiberglass Wastewater storage tanks designed for hassle free installation, and simple operation.

- ✓ Crafted using only superior corrosion-resistant resin
- ✓ Durable and economical
- ✓ Does not degrade with infiltration and exfiltration
- ✓ Non-reactive to sewer gases
- ✓ High tensile strength and flexibility
- ✓ Easily customizable with additional options and accessories

Call us to learn more
(830) 387-4027

©2019 NATIONWIDE TANK AND PIPE



nationwidetankandpipe.com

Nationwide Tank and Pipe is among North America's largest manufacturers and suppliers of composite fiberglass tanks. Our objective is to provide our customers with a quality product crafted with top of the line equipment, a short lead time and cost effective pricing.

Note: Diagram shown above is for informational purposes only. All tanks require proper design and engineering approval prior to construction.