

- Announcements
- Pre-lab Lecture
 - ❖ Circuit analogy (enrichment)
 - ❖ Where we are/going
 - ❖ Today in Lab (M2D5)

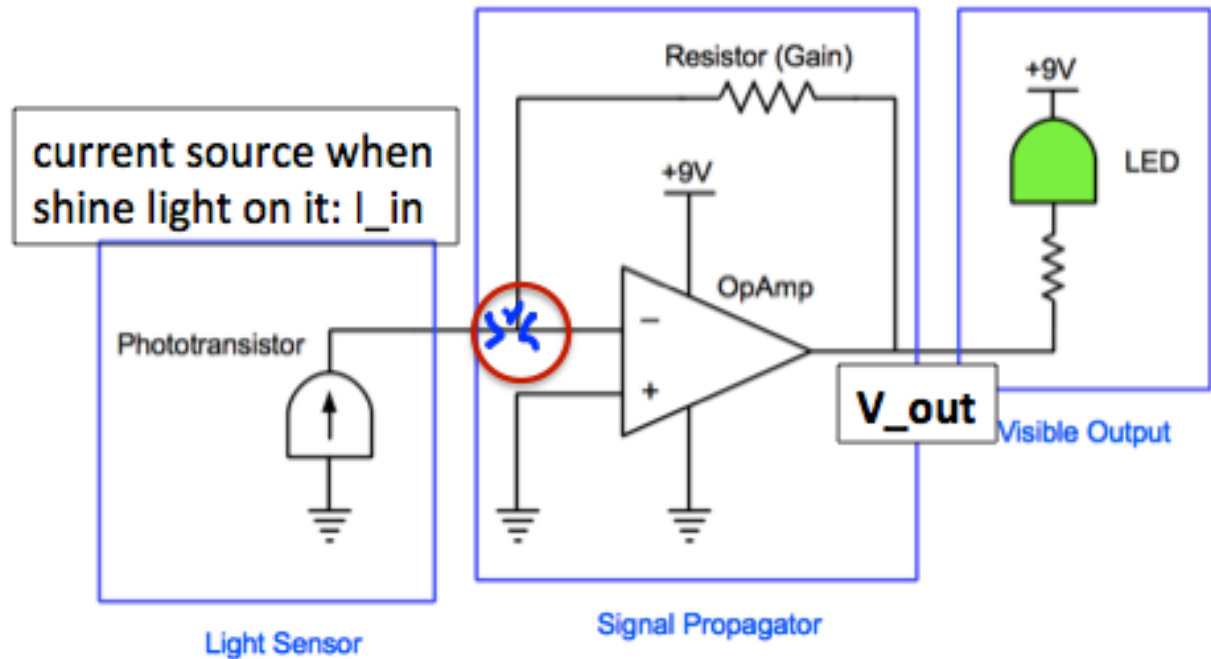
Announcements

- FNW (and today's assay!) comments
 - when is time is an issue? → short +/- 1 sec = larger % to age
 - A420 vs. OD600 out of range. only measurements matter
 - multiplying in-range OD600 by 10x does NOT make it "out of range" - not ever measured
- Journal club coming up
 - in one week
 - extra OH besides Tuesday? → cancel Tue.
 - poll by Doodle for one-on-one meetings? ✓
- Start thinking about best day for M2 extra OH

Revisiting circuit analogue: main equation

Combining information so far:
 $V_{out}/I_{in} = -R$

$V=IR$
 $V_{out} = I_{out} * R$
 $I_{out} = -I_{in}$ (red node balance)



current at (-) input of the op-amp = 0

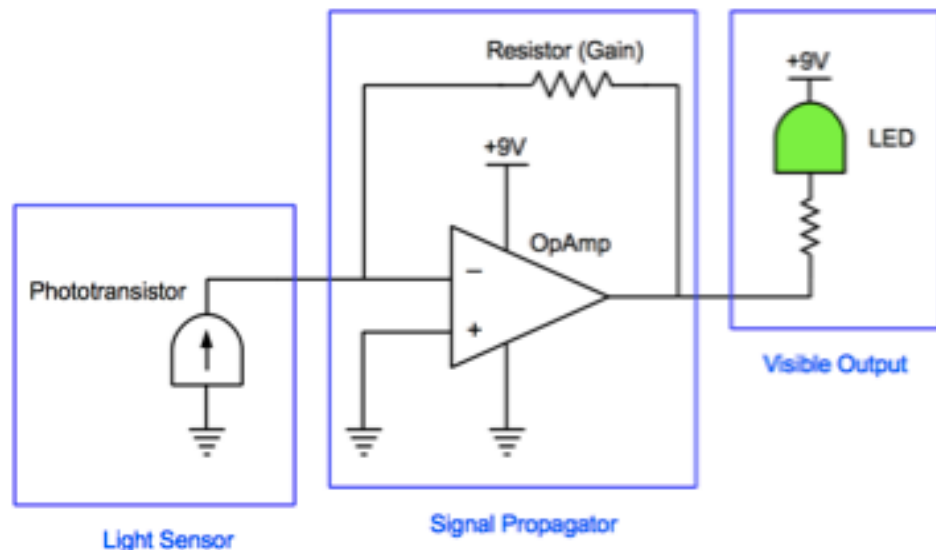
Revisiting circuit analogue: changing R

$$V_{\text{out}}/I_{\text{in}} = -R$$

Shine light on photodiode →
 I_{in} flows →
 V_{out} decreases (- sign) →
Bigger voltage drop →
LED lights up!

As R increases →
 V_{out} decreases faster →
takes less current for same brightness →
a more digital, less analog behavior

The extremes ($R = 0$ or $R = \text{inf}$) are tricky because they vary with op-amp characteristics. Theoretically, light always on with wire (0), always off with air (inf). Whether shine light or not!



recall: voltage
difference lights LED

Where are we/going?

Discuss goal of each phase/experiment with a partner

- Construction phase:

Make Cph8 library (NK) and put into cells (109)

prepare to identify mutants, T541X in C_pL8
in the BP system, that might improve contrast (K⁺P⁻)

- Evaluation phase:

DNA Sequencing what is the mutant? * other mutations?

protein {
β-gal assay does the mutation seem to affect relative
[β-gal] in light and/or dark?
Western is [Cph8] itself changed? * potential for artifacts *
also: size check related to amount vs. K/P balance
Other → 07

Chance for design/investigation

- Day 7 = Western = lots of long incubations
- Chance to design and carry out an additional experiment that could shed light on your results
- Start thinking about it now (or rather as soon as you have your first batch of mutant data)
- Also a day to share, collaborate with other groups

Today in Lab: M2D5

- Miniprep each mutant candidate (light *or* dark)
- Resuspend in sterile water, mix an aliquot with sequencing primer → ideally done by 3 pm!
- β -gal assay: WT, HK dead, and your mutants
 - choose *one* dilution that should give credible data
 - perform in triplicate, towards statistics
- Prepare culture for protein analysis
- Leslie will discuss elements of a successful research article (esp. Discussion) @ 4 pm

* team work! *