

## PEAK® ALUMINUM FENCING AQUATINE™ PLUS

Review for compliance with  
2015 International Swimming Pool and Spa Code

Peak Products USA Corporation

December 21, 2015

RJC No. VAN.106169.0012

Prepared for:

Peak Products USA Corporation

[www.peakproducts.com](http://www.peakproducts.com)

Prepared by:

Read Jones Christoffersen Ltd.  
1285 West Broadway, Suite 300  
Vancouver BC V6H 3X8



## Table of Contents

<b>1.0</b>	<b>OVERVIEW</b>	<b>1</b>
<b>2.0</b>	<b>BARRIER REQUIREMENTS CHECKLIST</b>	<b>1</b>
<b>3.0</b>	<b>CONCLUSION</b>	<b>3</b>

### **APPENDIX A: ASSEMBLY DRAWINGS - 4'H FENCE SYSTEM**



## 1.0 OVERVIEW

The Peak® Aluminum Fencing Aquatine™PLUS system is intended to act as a barrier around a pool area to prevent access to the pool area, but not to protect against a fall to a lower elevation. The objective of this report is to complete a review of the requirements stipulated in Section 305 "Barrier Requirements" of the 2015 International Swimming Pool and Spa Code™ (ISPC).

## 2.0 BARRIER REQUIREMENTS CHECKLIST

The following table represents a summary of the compliance requirements stipulated in Section 305 of the 2015 ISPC. This review is limited to these compliance requirements, and does not evaluate the system for any other aspects, site specific or otherwise.

Verdict	Clause	Description	Comment
	<b>305.1</b>	<b>General</b>	
N/A	305.1.1	<i>Exception for spas and hot tubs with lockable safety cover that complies with ASTM F1346</i>	
N/A	305.1.2	<i>Exception for swimming pools with a powered safety cover that complies with ASTM F1346</i>	
	<b>305.2</b>	<b>Outdoor swimming pools and spas</b>	
	305.2.1	<i>Barrier height and clearances</i>	
✓	305.2.1.1	Top of barrier not less than 48 inches above grade on the side of barrier that faces away from the pool or spa, maintained for 3 feet horizontally from the outside of the barrier	Top of barrier 48 inches above grade
✓	305.2.1.2	Vertical clearance between grade and bottom of barrier shall not exceed 2 inches for grade surfaces that are not solid, on the side of the barrier that faces away from the pool	Maximum 2 inches clearance
✓	305.2.1.3	Vertical clearance between grade and bottom of barrier shall not exceed 4 inches for grade surfaces that are solid, on the side of the barrier that faces away from the pool	Maximum 2 inches clearance
✓	305.2.1.4	Vertical clearance between the top of the pool or spa and the bottom of the barrier shall not exceed 4 inches when barrier is mounted on top of the pool or spa that is above grade	Maximum 2 inches clearance
✓	305.2.2	<i>Openings</i> in the barrier shall not allow passage of 4-inch diameter sphere	Maximum 4 inch openings
✓	305.2.3	<i>Solid barrier surfaces</i> shall not contain indentations or protrusions that form handholds and footholds.	Smooth glass surface
N/A	305.2.4	<i>Mesh fence as a barrier</i>	Only applies to mesh fence barriers



Verdict	Clause	Description	Comment
N/A	305.2.5	<i>Closely spaced horizontal members</i>	Top and bottom rails spaced 45 ½ inches apart
✓	305.2.6	<i>Widely spaced horizontal members:</i> spacing between vertical members shall not exceed 4 inches and the interior width of decorative cutouts within vertical members shall not exceed 1-3/4 inches	Maximum 4 inch spacing, no decorative cutouts
N/A	305.2.7	<i>Chain link dimensions</i>	Only applies to chain link barriers
N/A	305.2.8	<i>Diagonal members</i>	No diagonal members
✓	305.2.9	<i>Clear zone</i> of not less than 36 inches between the exterior of the barrier and any permanent structures or equipment that can be used to climb the barrier	48 inch clear zone on both sides of fence
✓	305.2.10	<i>Poolside barrier setbacks:</i> pool or spa side of the required barrier shall not be less than 20 inches from the water's edge	48 inch clear zone on both sides of fence
✓	305.3	<b>Gates:</b> Access gates shall be equipped to accommodate a locking device, opening outward from the pool or spa, and shall be self-closing and have a self-latching device	Gate equipped with self-latching device, hinge self closes, opens away from pool
N/A	305.3.1	<i>Utility or service gates</i>	
N/A	305.3.2	<i>Double or multiple gates</i> shall have at least one leaf secured in place and the adjacent leaf shall be secured with a self-latching device	No double or multiple gates
N/A	305.3.2	<i>Double or multiple gates</i> shall not have openings larger than 1/2 inch within 18 inches of the latch release mechanism	No double or multiple gates
✓	305.3.3	<i>Latches</i> shall be located on the pool or spa side of not less than 3 inches below the top of the gate, when the latch release mechanism of the self-latching device is located less than 54 inches from grade.	Latch release mechanism located minimum 54 inches above grade
✓	305.3.3	The gate and barrier shall not have openings greater than 1/2 inch within 18 inches of the release mechanism, when the latch release mechanism of the self-latching device is located less than 54 inches from grade.	Latch release mechanism located minimum 54 inches above grade
N/A	<b>305.4</b>	<b>Structure wall as a barrier</b>	
N/A	<b>305.5</b>	<b>Onground residential pool structure as a barrier</b>	



Verdict	Clause	Description	Comment
N/A	305.6	Natural barriers	
N/A	305.7	Natural topography	

This review is based on information and drawings provided by Peak Products USA Corporation for the elements listed above.

### 3.0 CONCLUSION

The Peak® Aluminum Fencing Aquatine™PLUS system meets the requirements within Section 305 "Barrier Requirements" of the 2015 International Swimming Pool and Spa Code™. Limitations of compliance are defined in the assembly drawings presented in Appendix A.

Yours truly,

READ JONES CHRISTOFFERSEN LTD.

Blake Cloutier, B.A.Sc., EIT  
Design Engineer

Reviewed by:

Leonard Pianalto, M.Sc., P.Eng., LEED® AP, FEC  
Associate

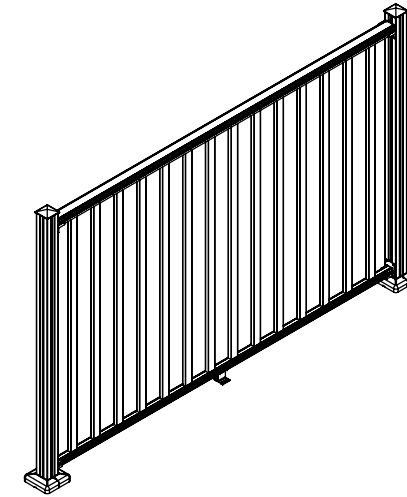
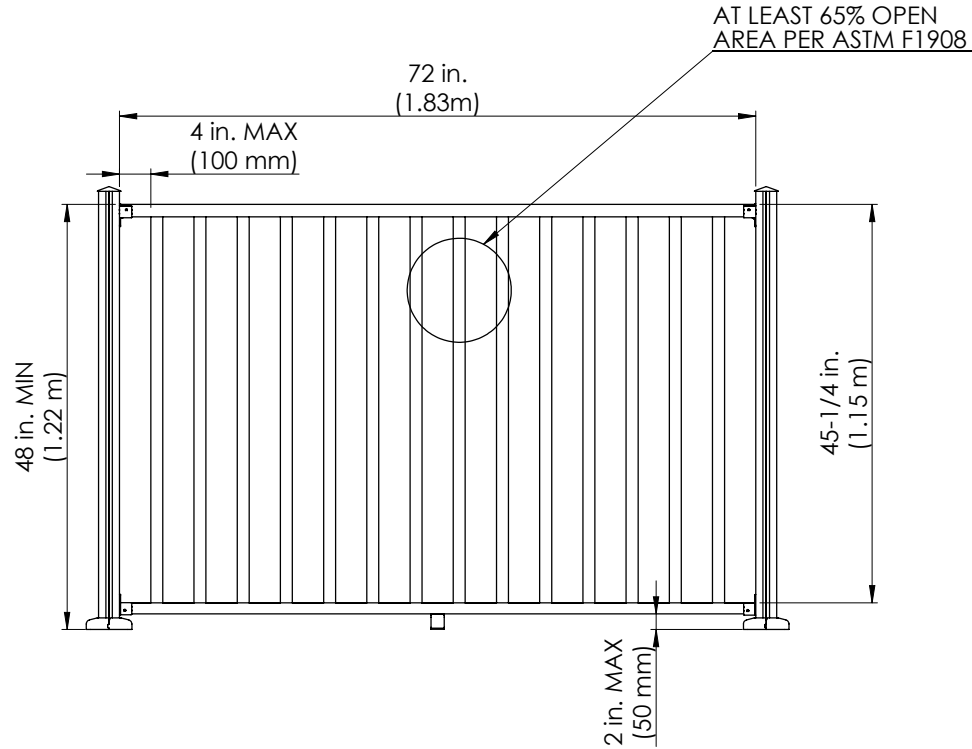
BC/hj

#### LIMITS OF COMMISSION

RJC prepared this report for the use of Peak Products Manufacturing Inc. The material in it reflects RJC's judgement in light of information available to RJC at the time of preparation, including but not limited to material data sheets, independent testing, and physical mock-ups. Any use that a third party makes of this report, or any reliance or decisions to be based on it, is the responsibility of such third parties. RJC accepts no responsibility for damages, if any, suffered by any third party as a result of decisions made or actions based on this report.

This report was prepared for Peak Products Manufacturing Inc. It is not for the use or benefit of, nor may it be relied upon, by any other person or entity, without written permission of Read Jones Christoffersen Ltd.

**APPENDIX A**  
ASSEMBLY DRAWINGS –  
4'H FENCE SYSTEM



DESCRIPTION	SKU
4' Post - Hard Surface	57003, 57004
4'H x 6'W Picket Rail Kit	57113, 57114
Picket Bracket Kit	57901, 57902
Picket Angle Bracket Kit	57911, 57912

**PEAK**

TITLE  
 AQUATINE™ PLUS 6' Picket Section (Hard Surface)

PART FILE  
 Picket section with two end post-4ft

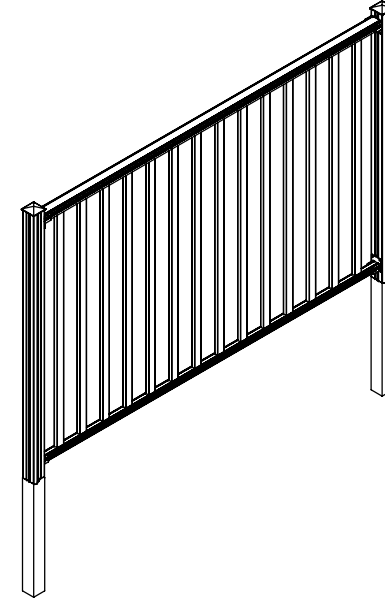
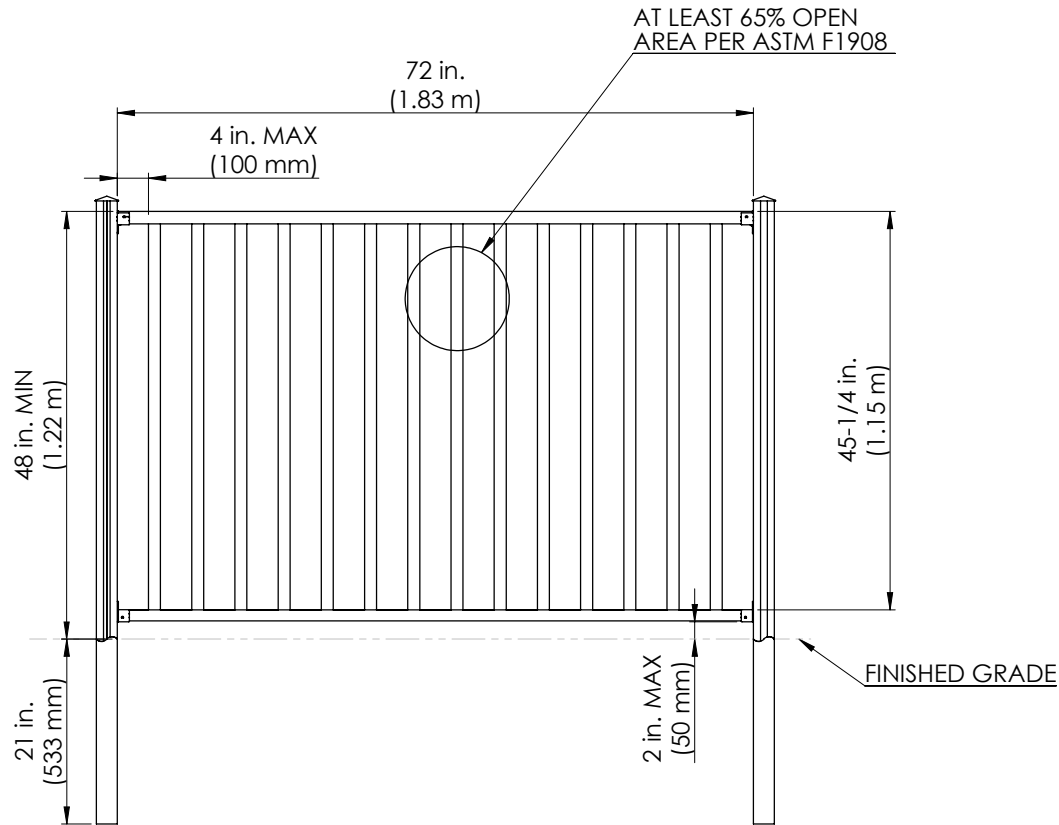
DWG REV    A

DIMENSIONS ARE IN MM UNLESS NOTED  
 DO NOT SCALE DRAWING

**PROPRIETARY AND CONFIDENTIAL**  
THE INFORMATION CONTAINED IN THIS DRAWING IS THE SOLE PROPERTY OF THE PEAK GROUP OF COMPANIES. ANY REPRODUCTION IN PART OR AS A WHOLE WITHOUT THE WRITTEN PERMISSION OF THE PEAK GROUP OF COMPANIES IS PROHIBITED.

SIZE    DWG. NO.  
**B**    Picket Section-4ft

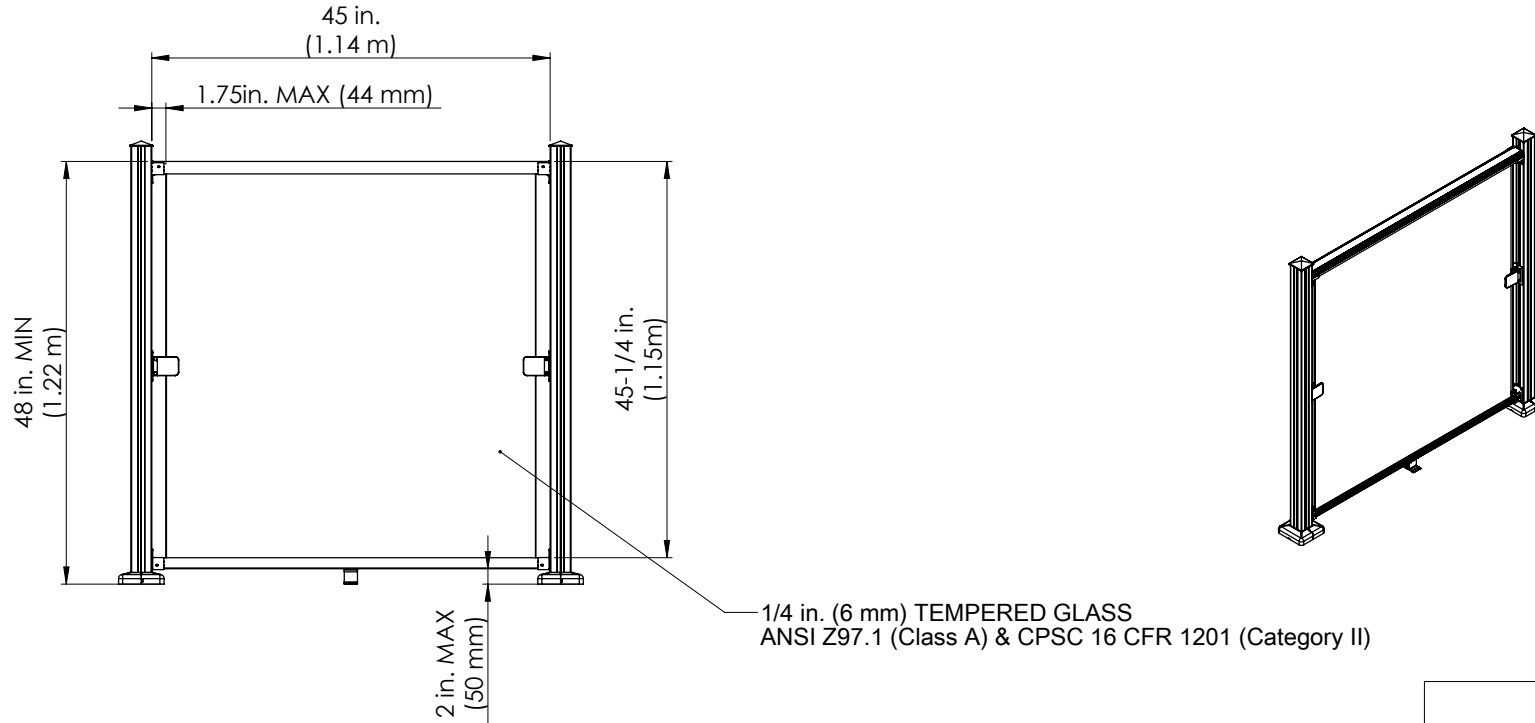
SCALE: 1:10    SHT REV 2015-03-03-A    SHEET 1 OF 4



TITLE AQUATINE™ PLUS 6' Picket Section (Soft Surface)	
PART FILE Picket section with two softscape post-4ft	
DWG REV	A
DIMENSIONS ARE IN MM UNLESS NOTED DO NOT SCALE DRAWING	
<b>PROPRIETARY AND CONFIDENTIAL</b> THE INFORMATION CONTAINED IN THIS DRAWING IS THE SOLE PROPERTY OF THE PEAK GROUP OF COMPANIES. ANY REPRODUCTION IN PART OR AS A WHOLE WITHOUT THE WRITTEN PERMISSION OF THE PEAK GROUP OF COMPANIES IS PROHIBITED.	
SIZE <b>B</b>	DWG. NO. Picket Section - In Ground-4ft
SCALE: 1:15	SHT REV 2015-03-03-A SHEET 2 OF 4

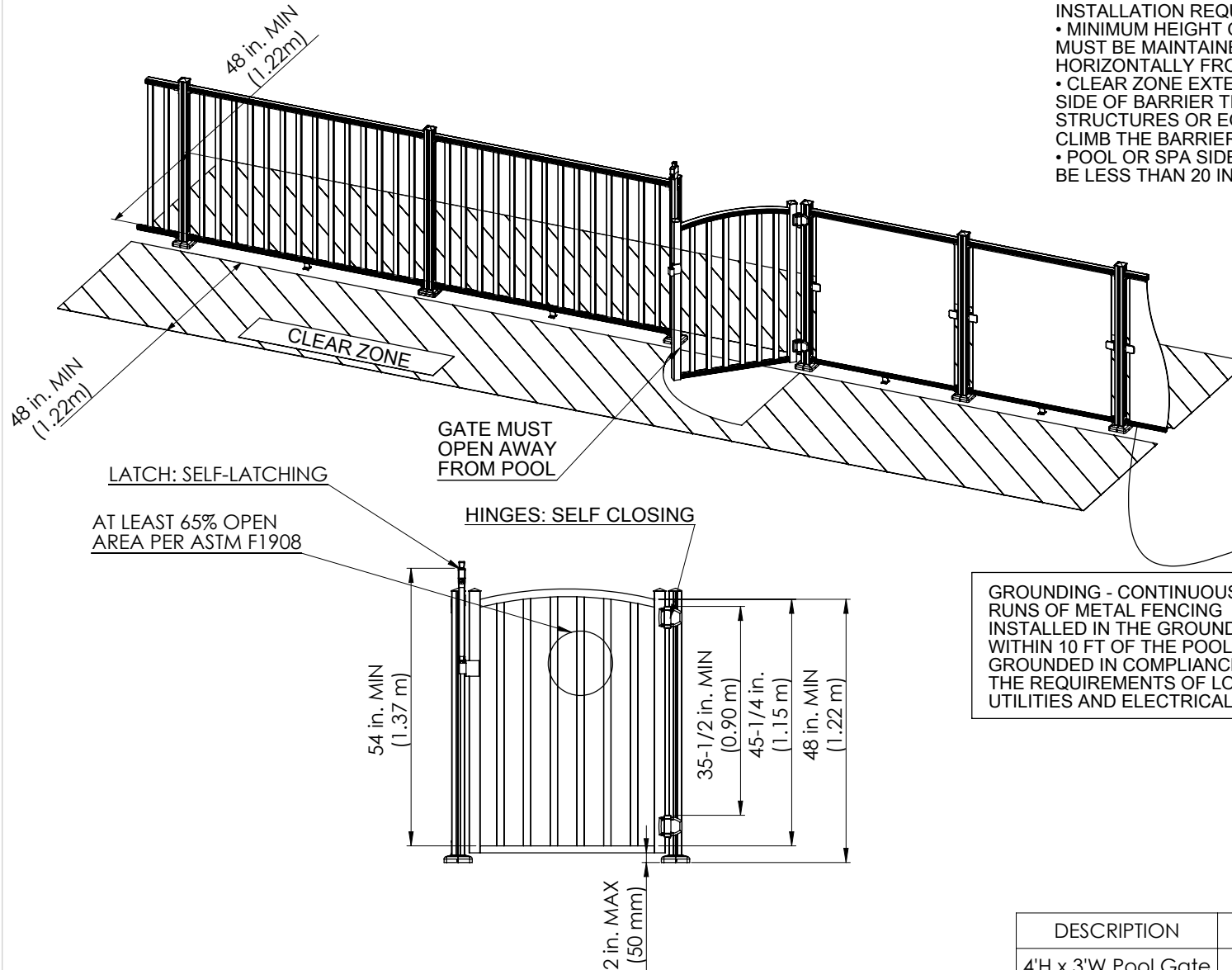
DESCRIPTION	SKU
4' Post - Soft Surface	57013, 57014
4'H x 6'W Picket Rail Kit	57113, 57114
Picket Bracket Kit	57901, 57902
Picket Angle Bracket Kit	57911, 57912





TITLE AQUATINE™ PLUS 45" GLASS SECTION	
PART FILE PFBST-GLASS-RPT	
DWG REV B	
DIMENSIONS ARE IN MM UNLESS NOTED DO NOT SCALE DRAWING	
<b>PROPRIETARY AND CONFIDENTIAL</b> THE INFORMATION CONTAINED IN THIS DRAWING IS THE SOLE PROPERTY OF THE PEAK GROUP OF COMPANIES. ANY REPRODUCTION IN PART OR AS A WHOLE WITHOUT THE WRITTEN PERMISSION OF THE PEAK GROUP OF COMPANIES IS PROHIBITED.	
SIZE <b>B</b>	DWG. NO. PFBST-GLASS-RPT
SCALE: 1:10	SHT REV 2015-03-03-A SHEET 3 OF 4

DESCRIPTION	SKU
4' Post - Hard Surface	57003, 57004
45" Glass Rail Kit	57101, 57102
4'H x 42" Glass Panel	57861
Glass Bracket Kit	57921, 57922
Glass Angle Bracket Kit	57931, 57932



**INSTALLATION REQUIREMENTS**

- MINIMUM HEIGHT OF 48 IN. (1.22 m) ABOVE GRADE MUST BE MAINTAINED FOR 36 IN. (915 mm) HORIZONTALLY FROM THE OUTSIDE OF THE BARRIER
- CLEAR ZONE EXTENDING 48 IN. (1.22 m) FROM EACH SIDE OF BARRIER THAT IS CLEAR OF ANY PERMANENT STRUCTURES OR EQUIPMENT THAT COULD BE USED TO CLIMB THE BARRIER
- POOL OR SPA SIDE OF THE REQUIRED BARRIER SHALL NOT BE LESS THAN 20 IN. (508 mm) FROM WATER'S EDGE

**GROUNDING - CONTINUOUS RUNS OF METAL FENCING INSTALLED IN THE GROUND WITHIN 10 FT OF THE POOL SHALL BE GROUNDED IN COMPLIANCE WITH THE REQUIREMENTS OF LOCAL UTILITIES AND ELECTRICAL CODES**



TITLE  
**AQUATINE™ PLUS Fence and Gate Layout Requirements**

PART FILE  
Gate and fence layout straight-4ft

DWG REV **A**

DIMENSIONS ARE IN MM UNLESS NOTED  
DO NOT SCALE DRAWING

**PROPRIETARY AND CONFIDENTIAL**  
THE INFORMATION CONTAINED IN THIS DRAWING IS THE SOLE PROPERTY OF THE PEAK GROUP OF COMPANIES. ANY REPRODUCTION IN PART OR AS A WHOLE WITHOUT THE WRITTEN PERMISSION OF THE PEAK GROUP OF COMPANIES IS PROHIBITED.

SIZE **B** DWG. NO.  
Gate and fence layout straight-4ft

DESCRIPTION	SKU
4'H x 3'W Pool Gate	57163, 57164

SCALE: 1:100 SHT REV 2015-03-03-A SHEET 4 OF 4