



September 24, 2016

Peak Products Corporation
C/- 27 Zilla Court
Dandenong VIC 3175

CERTIFICATE OF COMPLIANCE: Peak® Aluminium Balustrade & Peak® Aluminium Handrail

To whom it may concern:

Compliance:

I did prepare the design and I certify that the part of the design described as:
Peak® Aluminium Balustrade and **Peak® Aluminium Handrail** complies as a
Deemed-to Satisfy Solution complying with the following Parts of the National
Construction Code (NCC) 2016 – Building Code of Australia (BCA), Volumes 1 and 2:

- **Volume One,**

- **D2.16 – Barriers to prevent falls,**

- For domestic and residential applications in Class 2, 3 & Class 4 parts of buildings only.
For the case of 'Glass Panel' applications, the Design Ultimate Wind Pressure,
calculated in accordance with AS/NZS 1170.2, shall not exceed ± 1.5 kPa.

- For the case of 'Sectional Glass' applications, the Design Ultimate Wind Speed,
calculated in accordance with AS/NZS 1170.2, shall not exceed 62 m/s.

- For the case of 'Wide Baluster' or 'Standard Baluster' applications, the Design Ultimate
Wind Speed, calculated in accordance with AS/NZS 1170.2, shall not exceed 84 m/s.

- **D2.17 - Handrails,**

- For domestic and residential applications in Class 2, 3 & Class 4 parts of buildings only.

- **D2.18 - Fixed platforms, walkways, stairways and ladders**

- For domestic and residential applications in Class 2, 3 & Class 4 parts of buildings only.

- **Volume Two,**

- **Part 3.9.2 – Barriers and Handrails**

- For the case of 'Glass Panel' applications, the Design Ultimate Wind Pressure,
calculated in accordance with AS/NZS 1170.2, shall not exceed ± 1.5 kPa. This includes
AS 4055 Wind Classifications N1 and N2 (and excludes AS 4055 Wind Classifications
N3, N4, N5, N6, C1, C2, C3 and C4).

- For the case of 'Sectional Glass' applications, the Design Ultimate Wind Speed,
calculated in accordance with AS/NZS 1170.2, shall not exceed 62 m/s. This includes
AS 4055 Wind Classifications N1, N2, N3, N4, C1 and C2 (and excludes AS 4055 Wind
Classifications N5, N6, C3 and C4).

- For the case of 'Wide Baluster' or 'Standard Baluster' applications, the Design Ultimate
Wind Speed, calculated in accordance with AS/NZS 1170.2, shall not exceed 84 m/s.

September 24, 2016



This includes AS 4055 Wind Classifications N1, N2, N3, N4, N5, C1, C2 and C3 (and excludes AS 4055 Wind Classifications N6 and C4).

Subject to the following conditions:

- i. Product selection and installation shall be made by a competent person who is conversant with the application and technical aspects of the product, and has ready access to the relevant technical information related to the product installation.
- ii. All connections between the product and any supporting structure must be independently verified as capable of providing the necessary structural support.
- iii. Product installation shall only be carried out to supporting structures independently verified as capable of providing the necessary structural support.

Limitations:

- i. This certificate specifically excludes any assessment of the suitability of Peak® Aluminium Balustrade and/or Peak® Aluminium Handrail as a swimming pool safety barrier.
- ii. This certificate does not deal with any aspect of the performance of gate components or their installation (detailed on page 14 of Peak® Aluminium Balustrade - Installation Guide (PB_ii_V2b)).
- iii. This certification does not deal with materials safety, site safety or safe work practices in any form.
- iv. This certification does not deal with the quality assurance and safe work practice aspects of the manufacturing, transportation and installation processes.

Design documents:

Specifications:	Prepared by:	Date:
Peak® Aluminium Balustrade – Installation Guide (PB_ii_V2b)	Peak Products Corporation	April 2016
Peak® Aluminium Handrail – Modular Handrail Installation Guide (PHK_ii_V1)	Peak Products Corporation	April 2016
Peak® Corner Fascia Bracket – Installation Guide (PB_FMB_C_IG_V1.indd)	Peak Products Corporation	April 2016
Peak® Mid/End/Stair Fascia Bracket – Installation Guide (PB_FMB_MES_IG_V1.indd)	Peak Products Corporation	April 2016
Peak® Aluminium Balustrade – System Details (see Attachment 1)	Peak Products Corporation	April 2016
Peak® Aluminium Balustrade – Geometric and Material Properties (company confidential)	Peak Products Corporation	January 2015
Fastener Schedule (see Attachment 2)	Acronem Consulting Australia	April 2016

September 24, 2016



Test Reports:	Prepared by:	Date:
Peak Products – “System and Component Testing for Serviceability and Ultimate Limit State Design”	Peak Innovations Inc.	28 January 2015
Peak Products – “6 mm Glass Panel Infill Testing for Serviceability and Ultimate Limit State Design”	Peak Innovations Inc.	17 February 2015

Engineering:	Prepared by:	Date:
REPORT No: ACA – 140801, “Peak® Aluminium Balustrade & Peak® Aluminium Handrail - NCC 2016 BCA Vol. 1 & 2 Compliance - Appraisal and Certification”	Acronem Consulting Australia	1 September 2016
Report Number 101344991TOR-002, Engineering Evaluation – “Attachment of Railblazers® Aluminium Railing Fascia Mount Brackets to wood substrate.”	Intertek Testing Services NA Ltd.	22 November 2013

Signature:

Date:

24TH SEPTEMBER 2016

CAMERON CHICK BE(HONS), PH.D, GC.COM.(MKTG), M.AIRAH, RPEQ
ACRONEM CONSULTING AUSTRALIA PTY LTD
RBP (Vic) EC 39441



REGISTERED
Building Practitioner

September 24, 2016



Attachment 1: Peak® Aluminium Balustrade - System Details

Drawing Number:
Report assembly PAB Assembly Balusters 160420
Report assembly PAB Assembly Wide Balusters 160420
Report assembly PAB Assembly Glass Panel 160420
Report assembly PAB Assembly Glass Panel with balusters 160420
Report assembly PAB Assembly Glass Panel with wide balusters 160420
Report assembly PAB Assembly Sectional Glass 160420
Report - Sectional Glass PAB 160119
Report assembly PAB Stair Balusters AUS 160420
Report assembly PAB Stair Wide Balusters AUS 160420
Report-brackets PAB 160420
Report-Fascia PAB 160420
Report-posts PAB 160420
Report – MHK Stair Assembly 160119
Report – MHK Wall Assembly 160119
Report – MHK Post Connection 160119
Report – MHK Joint Connection 160119



ITEM NO.	DESCRIPTION	SKU
1	HAND RAIL	70101, 70104, 70111, 70114
2	BASE RAIL	70101, 70104, 70111, 70114
3	POST	70001, 70004, 70011, 70014, 70021, 70024, 70051, 70054
4	BASE RAIL SUPPORT	70101, 70104, 70111, 70114
5	BALUSTER	70201, 70204, 70211, 70214
6	PAB Spacer	70201, 70204, 70211, 70214

DIMENSIONS ARE IN MM UNLESS NOTED		
DO NOT SCALE DRAWING		
MATERIAL	Aluminium Alloy	TITLE:
FINISH	Powder Coat	Peak Aluminium Balustrade - Assembly with Standard Balusters
PROPRIETARY AND CONFIDENTIAL THE INFORMATION CONTAINED IN THIS DRAWING IS THE SOLE PROPERTY OF THE PEAK GROUP OF COMPANIES. ANY REPRODUCTION IN PART OR AS A WHOLE WITHOUT THE WRITTEN PERMISSION OF THE PEAK GROUP OF COMPANIES IS PROHIBITED.		DWG. NO.
		Report assembly FAB Assembly Balusters 1.65420
		SCALE: 1:15

ITEM NO.	DESCRIPTION	SKU
1	WIDE BALUSTER	70301, 70304, 70311, 70314
2	SPACER	70301, 70304, 70311, 70314
3	HAND RAIL	70101, 70104, 70111, 70114
4	BASE RAIL	70101, 70104, 70111, 70114
5	POST	70001, 70004, 70011, 70014, 70021, 70024, 70051, 70054
6	BASE RAIL SUPPORT	70101, 70104, 70111, 70114

DIMENSIONS ARE IN MM UNLESS NOTED		
DO NOT SCALE DRAWING		
MATERIAL	Aluminium Alloy	TITLE:
FINISH	Powder Coat	Peak Aluminium Balustrade - Assembly with Wide Balusters
PROPRIETARY AND CONFIDENTIAL THE INFORMATION CONTAINED IN THIS DRAWING IS THE SOLE PROPERTY OF THE PEAK GROUP OF COMPANIES. ANY REPRODUCTION IN PART OR AS A WHOLE WITHOUT THE WRITTEN PERMISSION OF THE PEAK GROUP OF COMPANIES IS PROHIBITED.		DWG. NO.
		Report assembly FAB Assembly Wide Balusters 1.60420
		SCALE: 1:15



ITEM NO.	DESCRIPTION	SKU
1	BASE RAIL SUPPORT	70101, 70104
2	BASE RAIL 1.2 m	70101, 70104
3	GLASS PANEL	70854, 70856
4	HAND RAIL 1.2 m	70101, 70104
5	POSTS	70001, 70004, 70011, 70014, 70021, 70024
6	LOWER GLASS GASKET	70940
7	UPPER GLASS GASKET	70940

DIMENSIONS ARE IN MM UNLESS NOTED DO NOT SCALE DRAWING MATERIAL: Aluminium Alloy FINISH: Powder Coat PROPRIETARY AND CONFIDENTIAL THE INFORMATION CONTAINED IN THIS DRAWING IS THE SOLE PROPERTY OF THE PEAK GROUP OF COMPANIES. ANY REPRODUCTION IN PART OR AS A WHOLE WITHOUT THE WRITTEN PERMISSION OF THE PEAK GROUP OF COMPANIES IS PROHIBITED.	TITLE: Peak Aluminium Balustrade - Assembly with Glass Panel DWG. NO. Report assembly PAB Assembly Glass Panel 160420 SCALE: 1:15
--	---

ITEM NO.	DESCRIPTION	SKU
1	BASE RAIL SUPPORT	70101, 70104
2	GLASS PANEL	70854, 70856
3	HAND RAIL 1.8 m	70111, 70114
4	BASE RAIL 1.8 m	70111, 70114
5	STANDARD BALUSTER	70201, 70204, 70211, 70214
6	PAB Spacer	70201, 70204, 70211, 70214
7	POSTS	70001, 70004, 70011, 70014, 70021, 70024
8	UPPER GLASS GASKET	70940
9	LOWER GLASS GASKET	70940

DIMENSIONS ARE IN MM UNLESS NOTED DO NOT SCALE DRAWING MATERIAL: Aluminium Alloy FINISH: Powder Coat PROPRIETARY AND CONFIDENTIAL THE INFORMATION CONTAINED IN THIS DRAWING IS THE SOLE PROPERTY OF THE PEAK GROUP OF COMPANIES. ANY REPRODUCTION IN PART OR AS A WHOLE WITHOUT THE WRITTEN PERMISSION OF THE PEAK GROUP OF COMPANIES IS PROHIBITED.	TITLE: Peak Aluminium Balustrade - Assembly with Glass Panel and Standard Balusters DWG. NO. Report assembly PAB Assembly Glass Panel with balusters 160420 SCALE: 1:15
--	---



ITEM NO.	DESCRIPTION	SKU	DIMENSIONS ARE IN MM UNLESS NOTED	
1	BASE RAIL SUPPORT	70101, 70104	DO NOT SCALE DRAWING	
2	GLASS PANEL	70854, 70856	MATERIAL Aluminium Alloy	
3	HAND RAIL 1.8 m	70111, 70114	FINISH Powder Coat	
4	BASE RAIL 1.8 m	70111, 70114	PROPRIETARY AND CONFIDENTIAL THE INFORMATION CONTAINED IN THIS DRAWING IS THE SOLE PROPERTY OF THE PEAK GROUP OF COMPANIES. ANY REPRODUCTION IN PART OR AS A WHOLE WITHOUT THE WRITTEN PERMISSION OF THE PEAK GROUP OF COMPANIES IS PROHIBITED.	
5	PAB Spacer	70301, 70304, 70311, 70314		
6	WIDE BALUSTER	70301, 70304, 70311, 70314		
7	POST	70001, 70004, 70011, 70014, 70021, 70024		
8	UPPER GLASS GASKET	70940		
9	LOWER GLASS GASKET	70940		

ITEM NO.	DESCRIPTION	SKU	DIMENSIONS ARE IN MM UNLESS NOTED	
1	POSTS	70001, 70004, 70011, 70014, 70021, 70024, 70051, 70054	DO NOT SCALE DRAWING	
2	HAND RAIL	70101, 70104, 70111, 70114	MATERIAL Aluminium Alloy	
3	BASE RAIL	70101, 70104, 70111, 70114	FINISH Powder Coat	
4	SECTIONAL GLASS KIT	70714, 70715	PROPRIETARY AND CONFIDENTIAL THE INFORMATION CONTAINED IN THIS DRAWING IS THE SOLE PROPERTY OF THE PEAK GROUP OF COMPANIES. ANY REPRODUCTION IN PART OR AS A WHOLE WITHOUT THE WRITTEN PERMISSION OF THE PEAK GROUP OF COMPANIES IS PROHIBITED.	
5	SPACER	70714, 70715		
6	BASE RAIL SUPPORT	70101, 70104, 70111, 70114		



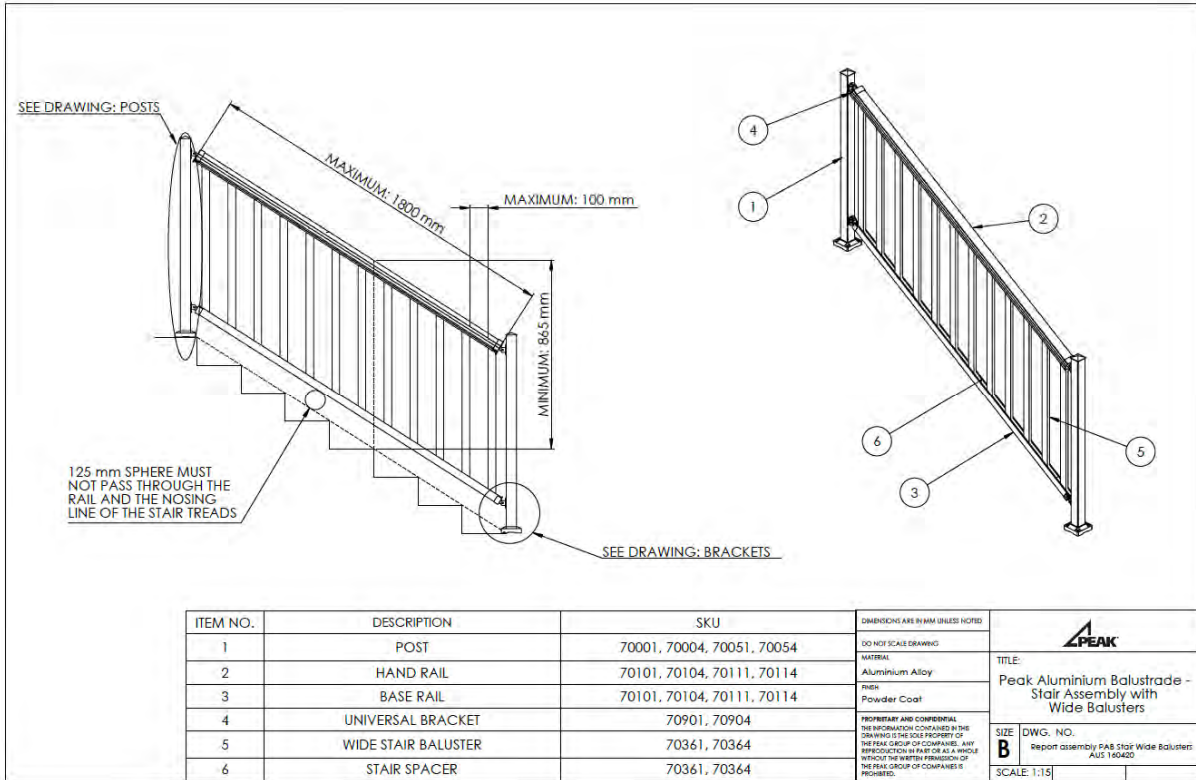
GLASS PANEL
SCALE 1:2

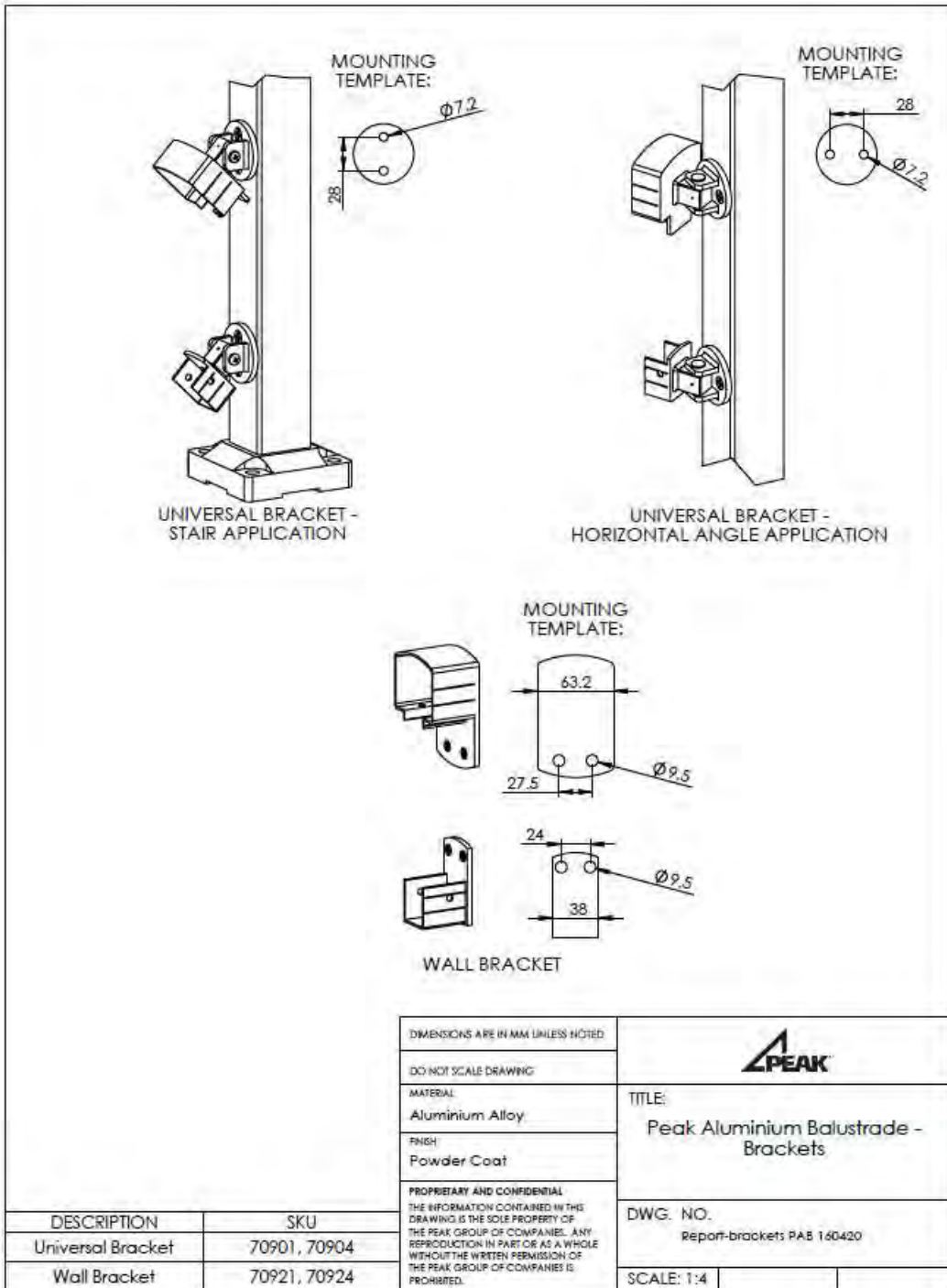
ITEM NO.	DESCRIPTION	SKU
1	Glass Panel Holder	70714, 70715
2	Glass Panel Gasket	
3	Glass Panel	

DIMENSIONS ARE IN MILLIMETERS UNLESS NOTED		
DO NOT SCALE DRAWING		
MATERIAL Toughened Glass		TITLE Sectional Glass Components
FINISH		SIZE B
<small>PROPRIETARY AND CONFIDENTIAL THE INFORMATION CONTAINED IN THIS DRAWING IS THE SOLE PROPERTY OF THE PEAK GROUP OF COMPANIES. ANY REPRODUCTION IN PART OR AS A WHOLE WITHOUT THE WRITTEN PERMISSION OF THE PEAK GROUP OF COMPANIES IS PROHIBITED.</small>		DWG. NO. Report - Sectional Glass PAB 180119
SCALE: 1:2		

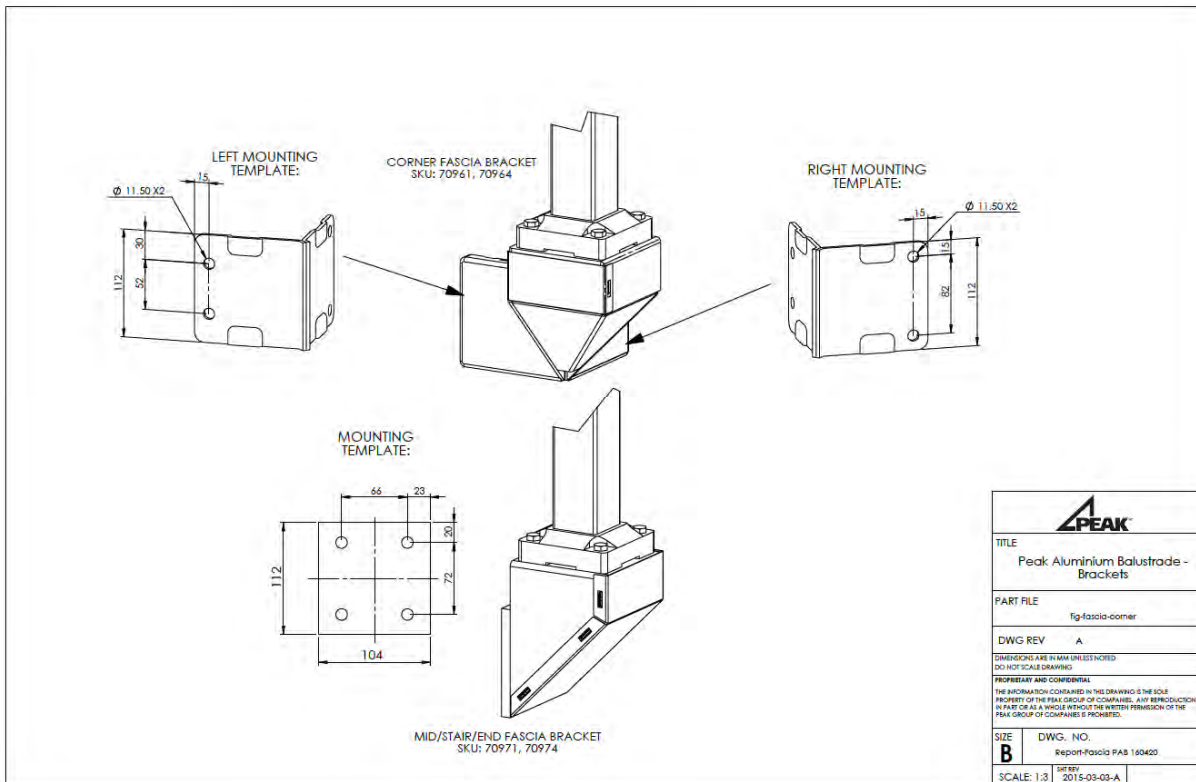
ITEM NO.	DESCRIPTION	SKU
1	POST	70001, 70004, 70051, 70054
2	HAND RAIL	70101, 70104, 70111, 70114
3	BASE RAIL	70101, 70104, 70111, 70114
4	UNIVERSAL BRACKET	70901, 70904
5	STANDARD STAIR BALUSTER	70261, 70264
6	STAIR SPACER	70261, 70264

DIMENSIONS ARE IN MM UNLESS NOTED		
DO NOT SCALE DRAWING		
MATERIAL Aluminium Alloy		TITLE Peak Aluminium Balustrade - Stair Assembly with Standard Balusters
FINISH Powder Coat		SIZE B
<small>PROPRIETARY AND CONFIDENTIAL THE INFORMATION CONTAINED IN THIS DRAWING IS THE SOLE PROPERTY OF THE PEAK GROUP OF COMPANIES. ANY REPRODUCTION IN PART OR AS A WHOLE WITHOUT THE WRITTEN PERMISSION OF THE PEAK GROUP OF COMPANIES IS PROHIBITED.</small>		DWG. NO. Report assembly PAB Stair Balusters AUS 180400
SCALE: 1:1.5		

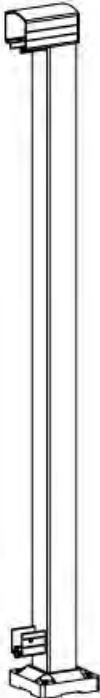





September 24, 2016



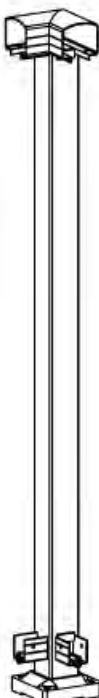




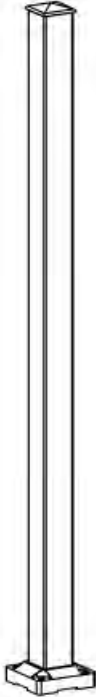
END POST



MID POST

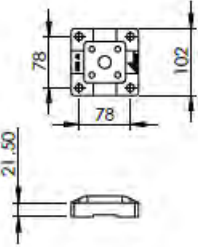


CORNER POST




STAIR POST

MOUNTING TEMPLATE



DESCRIPTION	SKU
End Post	70001, 70004
Mid Post	70011, 70014
Corner Post	70021, 70024
Stair Post	70051, 70054

DIMENSIONS ARE IN MM UNLESS NOTED		
DO NOT SCALE DRAWING		
MATERIAL	Aluminium Alloy	TITLE: Peak Aluminium Balustrade - Posts
FINISH	Powder Coat	
PROPRIETARY AND CONFIDENTIAL THE INFORMATION CONTAINED IN THIS DRAWING IS THE SOLE PROPERTY OF THE PEAK GROUP OF COMPANIES. ANY REPRODUCTION IN PART OR AS A WHOLE WITHOUT THE WRITTEN PERMISSION OF THE PEAK GROUP OF COMPANIES IS PROHIBITED.		DWG. NO. Report-posts PAB 160420
SCALE: 1:8		

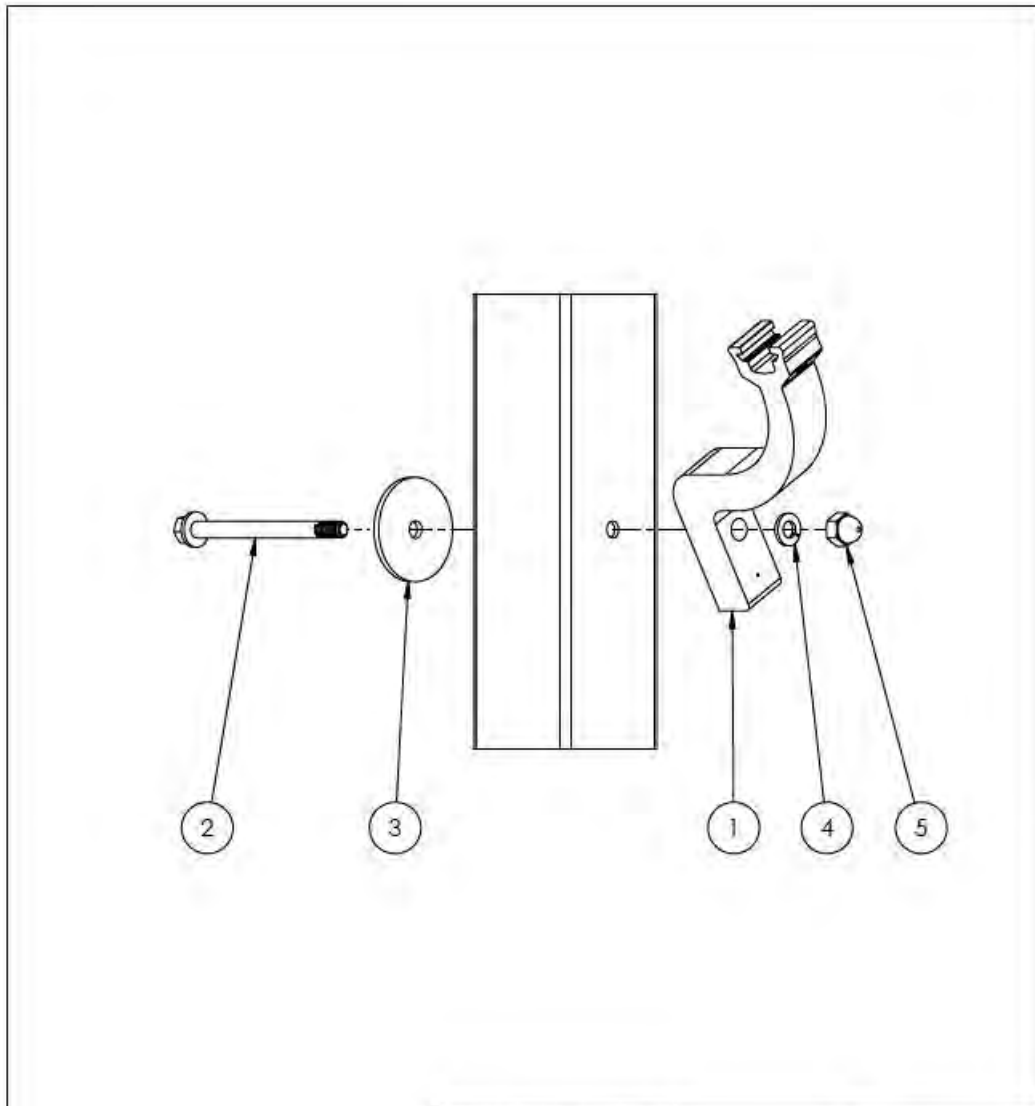



ITEM NO.	DESCRIPTION	SKU
1	MODULAR HANDRAIL KIT	70171, 70174
2	BRACKET	
3	END CAP	

DIMENSIONS ARE IN MM UNLESS NOTED		
DO NOT SCALE DRAWINGS		
MATERIAL	Aluminium Alloy	TITLE Peak Aluminium Handrail - Stair Assembly with Modular Handrail
FINISH	Powder Coat	
SIZE	B	DWG. NO. Report - MHK Stair Assembly 160119
SCALE: 1:20		

ITEM NO.	DESCRIPTION	SKU
1	MODULAR HANDRAIL KIT	70171, 70174
2	BRACKET	
3	END CAP	

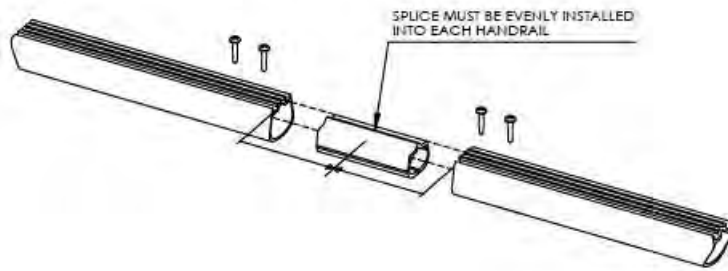
DIMENSIONS ARE IN MM UNLESS NOTED		
DO NOT SCALE DRAWINGS		
MATERIAL	Aluminium Alloy	TITLE Peak Aluminium Handrail - Modular Handrail Assembly
FINISH	Powder Coat	
SIZE	B	DWG. NO. Report - MHK Wall Assembly 160119
SCALE: 1:15		



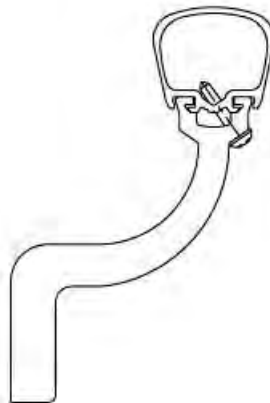
		DIMENSIONS ARE IN MM UNLESS NOTED			
		DO NOT SCALE DRAWING			
		MATERIAL Aluminium Alloy		TITLE: Peak Aluminium Handrail - Modular Handrail - Post Connection Details	
		FINISH Powder Coat			
		PROPRIETARY AND CONFIDENTIAL THE INFORMATION CONTAINED IN THIS DRAWING IS THE SOLE PROPERTY OF THE PEAK GROUP OF COMPANIES. ANY REPRODUCTION IN PART OR AS A WHOLE WITHOUT THE WRITTEN PERMISSION OF THE PEAK GROUP OF COMPANIES IS PROHIBITED.			
ITEM NO.	DESCRIPTION			DWG. NO. Report - MHK Post Connection 160119	
1	BRACKET			SCALE: 1:2	
2	6.4 mm x 79 mm HEX FLANGE BOLT				
3	39 mm BACKING PLATE				
4	6.4 mm LOCK WASHER				
5	6.4 mm FLANGE ACORN NUT				
6	POST				



SPLICE CONNECTION



HANDRAIL AND BRACKET CONNECTION



DIMENSIONS ARE IN MM UNLESS NOTED		
DO NOT SCALE DRAWING		
MATERIAL	Aluminium Alloy	TITLE: Peak Aluminium Handrail - Modular Handrail Connection Details
FINISH	Powder Coat	DWG. NO. Report - MHK Joint Connection 160119
<small>PROPRIETARY AND CONFIDENTIAL THE INFORMATION CONTAINED IN THIS DRAWING IS THE SOLE PROPERTY OF THE PEAK GROUP OF COMPANIES. ANY REPRODUCTION IN PART OR AS A WHOLE WITHOUT THE WRITTEN PERMISSION OF THE PEAK GROUP OF COMPANIES IS PROHIBITED.</small>		SCALE: 1:2

September 24, 2016



Attachment 2: Fastener Schedule

The following summary information is provided on the fasteners used in conjunction with the Peak® Aluminium Balustrade, and Peak® Aluminium Handrail. More detailed information regarding additional fastener requirements may be found in REPORT No: ACA – 140801

In all cases, the attachment of fasteners to a suitable concrete or timber supporting structure designed by others, must be independently verified for each installation.

Peak® Aluminium Balustrade

- Post Base to Concrete:
 - o Option 1: 4 x Ramset™ WERCS Ankascrew™ Anchor, M10x100 mm (AS10100WGM50), or
 - o Option 2: 4 x Ramset™ Ankascrew™ Anchor, M10x100 mm (AS10100GM).
- Post Base to Timber:
4 x Coach Screw, M10 x (length mm, to achieve the minimum required embedment depth).
- Corner Fascia Bracket to Concrete:
 - o Option 1: 4 x Ramset™ WERCS Ankascrew™ Anchor, M10x75 mm (AS10075WGM50), or
 - o Option 2: 4 x Ramset™ Ankascrew™ Anchor, M10x75 mm (AS10075GM).
- Corner Fascia Bracket to Timber:
4 x Coach Screw, M10 x (length mm, to achieve the minimum embedment depth).
- Fascia Mid/End/Stair Bracket to Concrete:
 - o Option 1: 4 x Ramset™ WERCS Ankascrew™ Anchor, M10x75 mm (AS10075WGM50), or
 - o Option 2: 4 x Ramset™ Ankascrew™ Anchor, M10x75 mm (AS10075GM).
- Fascia Mid/End/Stair Bracket to Timber:
4 x Coach Screw, M10 x (length mm, to achieve the minimum embedment depth).
- Wall Bracket to Concrete:
 - o Option 1: 2 x Ramset™ WERCS Ankascrew™ Anchor, M6x50 mm (AS06050WGM100), or
 - o Option 2: 2 x Ramset™ Ankascrew™ Anchor, M6x50 mm (AS06050GM).
- Wall Bracket to Timber:
 - o Option 1: 2 x Coach Screw, M6 x (length mm, to achieve the minimum embedment depth), or
 - o Option 2: 2x 14G Type 17 screws, x (length mm, to achieve the minimum embedment depth).

September 24, 2016



Peak® Aluminium Handrail

- Wall Bracket to Concrete:
 - o Option 1: 1 x Ramset™ WERCS Ankascrew™ Anchor, M8x75 mm (AS08075WGM100), or
 - o Option 2: 1 x Ramset™ Ankascrew™ Anchor, M8x75 mm (AS08075GM).
- Wall Bracket to Timber:
 - o Option 1: 1 x Coach Screw, Grade 4.6 or 4.8, M8 x (*length* mm, to achieve the minimum embedment depth).
 - o Option 2: 1 x 18G (7.72 mm) steel screw, x (*length* mm, to achieve the minimum embedment depth).