

## Mid/End/Stair Fascia Bracket Installation Guide

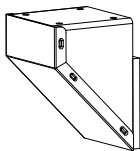


### Tools and Materials Required:

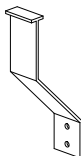
- Drill
- Phillips head #2 screwdriver bit
- Level
- Measuring tape
- Non-corrosive exterior silicone caulking
- Anchoring fasteners (see tables on pages 3 & 4)

### Hardware Included:

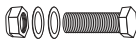
**1** x Fascia Bracket



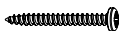
**1** x Fascia Base  
Rail Support



**4** x Machine bolts  
with washers  
& locking nuts



**2** x Wood screws



See WARNING on inside panel

**WARNING**

No representation or warranty is given that your particular application of these products complies with relevant building codes or that the fasteners provided or used are appropriate for your application. Consult with professionals and local building officials before beginning work: (i) to ensure compliance with relevant building codes for your application and for your proposed use of fasteners; (ii) to ensure the integrity of the structural components in connection with which these products are to be used; (iii) to identify appropriate safety gear that is to be used during installation such as a safety harness when working above ground; (iv) to ensure that the work area is free from utilities, services and hazards; and (v) to clarify any instructions or warnings that may not be clear. Work in a safe manner wearing protective gear such as gloves, eyewear, headwear, footwear and clothing. When using tools comply with operation manuals and instructions. Metal and glass may have sharp edges and could fragment or splinter during or as a result of handling or cutting. Do not use these products in connection with any substance that is or may be harmful or corrosive to the products. Inspect and maintain these products and the structural components that they are used in connection with on a regular basis, using professionals when appropriate.

Peak Products Corporation shall not be liable for any loss or damage resulting from the improper installation or improper use of this product, subject to any contrary provision of the Australian Consumer Law in Australia or the Consumer Guarantees Act 1993 (NZ) in New Zealand.

Peak products and associated materials are protected by patents, designs, copyrights and/or trademarks used under license from Peak Innovations Inc.

## IMPORTANT INFORMATION

- Maximum post spacing of 1.8 m.
- Complies\* with: Australian/New Zealand Standard AS/NZS 1170.0:2002 Structural design actions  
\* Conditions apply. For details visit:  
[peakbalustrade.com.au/compliance](http://peakbalustrade.com.au/compliance) or [peakbalustrade.co.nz/compliance](http://peakbalustrade.co.nz/compliance).  
Complete Peak® Aluminium Balustrade system required.
- Always understand and comply with your local building codes.
- To prevent timber splitting and rot, drill pilot holes and coat coach screw threads with non-corrosive exterior silicone caulking.
- Ensure that the opening between each of the following is less than 100 mm:
  - balusters      - balusters and post      - balusters and wall
  - glass panels    - glass panel and post    - glass panel and wall
  - balusters and glass panels



## Anchoring fasteners for Australia

**WARNING**

Engineering design has determined appropriate fasteners for the attachment of the fascia brackets to concrete or timber structures designed by others.

While the types of material are defined in the table below, the ability of the supporting structure to provide adequate support to Peak® Balustrade system and its fasteners must be independently verified for each installation.

To meet certain balustrade load requirements within AS/NZS 1170.1:2002, purchase the following fasteners. Building codes may vary. Always understand and comply with your local building codes. For further information visit: [peakbalustrade.com.au/compliance](http://peakbalustrade.com.au/compliance)

### Fasteners for attaching brackets to concrete:

Concrete	Fasteners Required	Minimum Embedment <sup>1</sup>	Minimum Edge Distance
Minimum concrete strength 25 MPa	4x Ramset™ WERCS Ankascrew™ anchor, M10 x 75 mm	65 mm	65 mm
	4x Ramset™ Ankascrew™ anchor, M10 x 75 mm		

### Fasteners for attaching brackets to timber:

Timber	Fasteners Required	Minimum Embedment <sup>1</sup>	Minimum End and Edge Distance
JD3 - e.g. Seasoned, Mixed Australian Hardwood	4x M10 Coach Screw <sup>2</sup>	75 mm	End: 50 mm Edge: 40 mm
J3 - e.g. Unseasoned, Mixed Australian Hardwood	4x M10 Coach Screw <sup>2</sup>	95 mm	End: 50 mm Edge: 40 mm
JD4 - e.g. Seasoned, Mixed Softwood Species	4x M10 Coach Screw <sup>2</sup>	110 mm	End: 50 mm Edge: 40 mm
J4 - e.g. Unseasoned, Pine, Radiata, Australia	4x M10 Coach Screw <sup>2</sup>	140 mm	End: 50 mm Edge: 40 mm

<sup>1</sup> Depth of the threaded portion of the screw into the innermost member.

<sup>2</sup> Material of steel coach screws shall be given in AS/NZS 4291.1, for property classes 4.6 and 4.8.



## Anchoring fasteners for New Zealand

### WARNING

Engineering design has determined appropriate fasteners for the attachment of the fascia brackets to concrete or timber structures designed by others.

While the types of material are defined in the table below, the ability of the supporting structure to provide adequate support to Peak® Balustrade system and its fasteners must be independently verified for each installation.

To meet certain balustrade load requirements within AS/NZS 1170.1:2002, purchase the following fasteners. Building codes may vary. Always understand and comply with your local building codes. For further information visit: [peakbalustrade.co.nz/compliance](http://peakbalustrade.co.nz/compliance)

### Fasteners for attaching brackets to concrete:

Concrete	Fasteners Required	Minimum Embedment <sup>1</sup>	Minimum Edge Distance
Minimum concrete strength 25 MPa	4x Ramset™ WERCS Ankascrew™ anchor, M10 x 75 mm	65 mm	65 mm
	4x Ramset™ Ankascrew™ anchor, M10 x 75 mm		

### Fasteners for attaching brackets to timber:

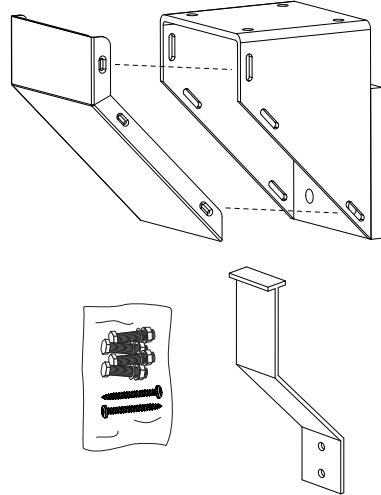
Timber	Fasteners Required	Minimum Embedment <sup>1</sup>	Minimum End and Edge Distance
J1	4x M10 Coach Screw <sup>2</sup>	70 mm	End: 50 mm Edge: 40 mm
J2	4x M10 Coach Screw <sup>2</sup>	70 mm	End: 50 mm Edge: 40 mm
J3	4x M10 Coach Screw <sup>2</sup>	80 mm	End: 50 mm Edge: 40 mm
J4 e.g. Silver Beech, Red Beech, Hard Beech	4x M10 Coach Screw <sup>2</sup>	115 mm	End: 50 mm Edge: 40 mm
J5 e.g. Radiata Pine, Rimu, Douglas Fir, Larch	4x M10 Coach Screw <sup>2</sup>	175 mm	End: 50 mm Edge: 40 mm

<sup>1</sup> Depth of the threaded portion of the screw into the innermost member.

<sup>2</sup> Material of steel coach screws shall be given in AS/NZS 4291.1, for property classes 4.6 and 4.8.

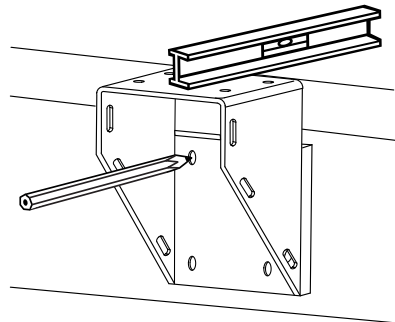
## INSTALLATION

**1.** Remove the cover, fasteners and base rail support from the inside of the bracket.



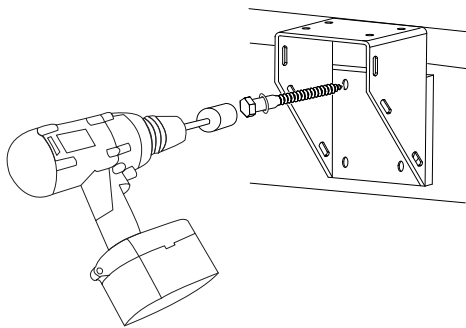
**2.** Measure and mark the position of all brackets on the fascia, ensuring the top of each bracket is level with the deck surface.

**IMPORTANT** Do not exceed 1.8 m maximum post spacing.

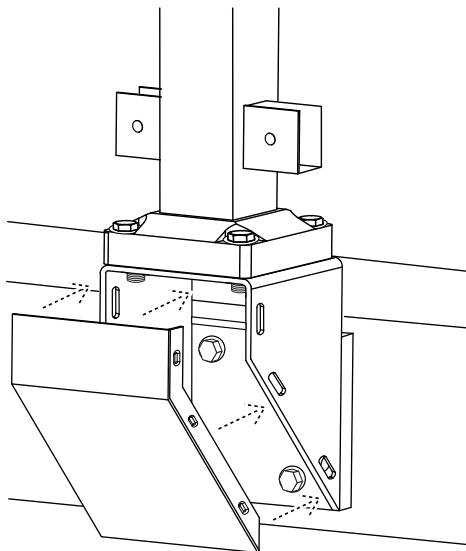


**3.** Starting at one end of the balustrade, install 4 anchoring screws to fasten the first bracket to the fascia (see fastener tables on pages 3 & 4).

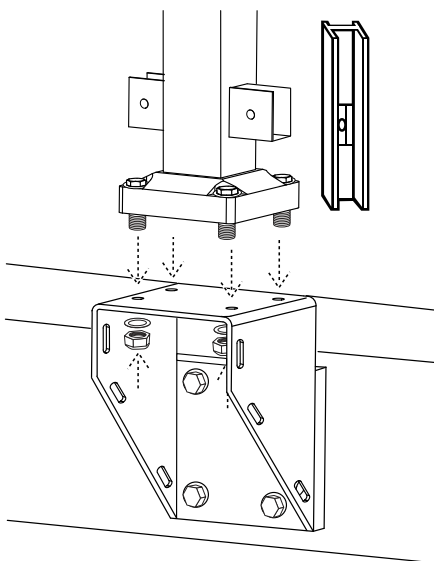
**▲IMPORTANT** Follow manufacturers' instructions for anchoring screw installation.



**5.** Install the cover on the bracket.

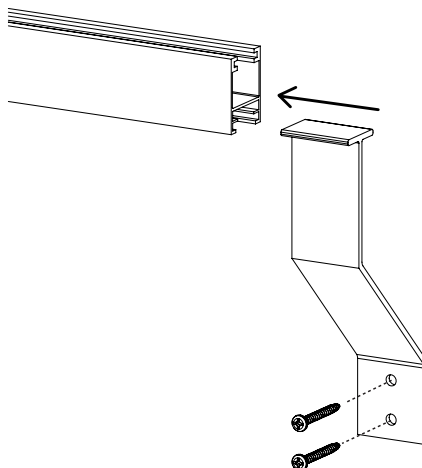


**4.** Attach the post to the fascia bracket using the machine bolts, washers and locking nuts supplied. Ensure the post is plumb (shim as necessary).




**6.** Attach remaining brackets to deck structure following steps 3-5 above.


**▲IMPORTANT** Use the Fascia Base Rail Support when installing base rail(s).



**7.** Follow the Peak Aluminium Balustrade Installation Guide for the remainder of the installation.




## Installation Guide





### Tools & Materials Required


- Hacksaw or mitre saw with non-ferrous metal cutting blade
- Drill
- Drill bits: 3 mm, 4 mm, 5.5 mm, 6.5 mm
- Measuring tape
- 8 mm socket or spanner
- Phillips head #2 screwdriver bit
- Non-corrosive exterior silicone caulking
- Anchoring fasteners (not included - see table on page 4 & 5)


### Supplied Fasteners

Self-drilling screw 

Flat head screw 

Coach screw 

Connector bolt 

Pan head screw 

**See WARNING on inside panel**

Available at  
**BUNNINGS**  
warehouse

[peakbalustrade.com.au](http://peakbalustrade.com.au)  
[peakbalustrade.co.nz](http://peakbalustrade.co.nz)