

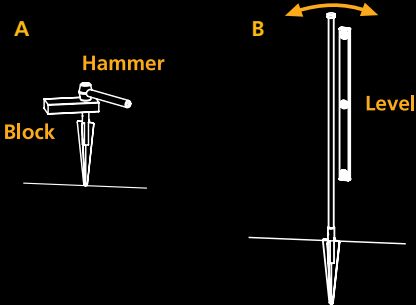
GATE INSTALLATION

1



Measure and mark the position of all posts and use a string line to ensure they are aligned. Determine where you will start the installation (typically an end, corner, or gate).

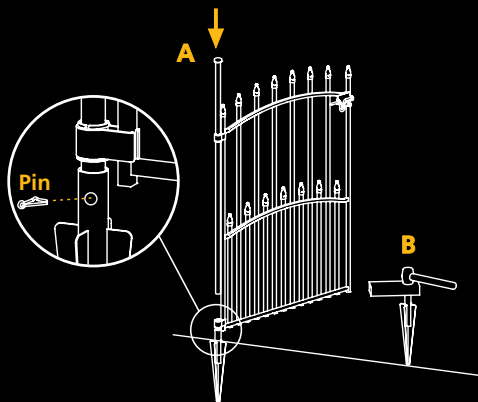
2



A: Position the first spike and hammer it into the ground until the top of the blades are flush with the surface.

B: Temporarily insert the post into the spike to ensure the spike is plumb.

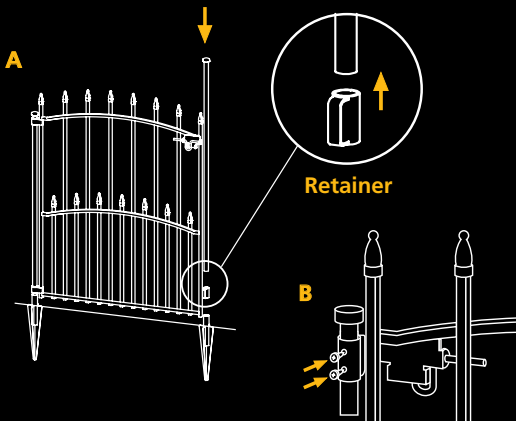
3



A: Insert first post through the gate hinges and down into the spike. Then secure with pin (provided).

B: Determine the placement for the second spike and drive it into the ground.

4



A: Slide retainer onto second post and insert post down into spike. Then secure with pin (provided).

B: Position retainer to align with latch, then drill two 4 mm pilot holes through side of post. Fasten retainer to post using two screws (provided).