



Installation Guide

Hand Operated Tools & Materials Needed

- Cordless drill and 1/4" nut driver
- Tape measure
- Chalk line
- Hacksaw
- Tin snips
- Level
- 2 1/2" Hole saw
- Caulking gun & gutter sealant
- Appropriate protective gear including: gloves, footwear, eyewear, hardhat and clothing
- Security harness

Important Information

⚠ WARNING Before beginning work, engage professionals: (i) to ensure that these products are appropriate for your intended application, that the structural components for which these products are to be used in connection with are sound and that the work areas are safe and free from all potential hazards including utilities and other services; (ii) to determine how to work safely above ground level and to identify the appropriate apparatus and security harness to be used; and (iii) to provide clarification if these warnings are unclear or you do not understand any of the information in the installation instructions for these products.

Always comply with all applicable building codes. Building codes may vary. Either before, during or after cutting, metal components may have sharp edges which could fragment. When using tools always comply with the applicable user manuals and instructions. Everyone in the vicinity of any work area must wear appropriate protective gear including gloves, footwear, eyewear, hardhat and appropriate clothing. When working above ground level never use these products to support your weight and use appropriate safety apparatus including an appropriate security harness. Do not use these products in connection with wood that has been treated with Ammoniacal Copper Quaternary (ACQ) or with any other substance that is harmful to these products. Inspect and maintain these products and the structural components that they are used in connection with on a regular basis using professionals when appropriate. Inspection and maintenance includes, but is not limited to, checking for and removing leaves, debris, ice and snow buildup and identifying and repairing cracks, tears, leakage and other damage. Always work in a safe manner.

These instructions have been prepared for certain standard residential applications. Obtain professional advice for any irregular or non-residential application.

DEAR CUSTOMER,

We'd like to take a moment to say "thank you" for choosing our products. At PEAK® your satisfaction is very important to us. That is why we work very hard to provide you with products of exceptional quality, value, and beauty. And that is also why we want to hear from you. Please contact us with your comments or suggestions at:

quality@peakproducts.com

Or if you prefer, write to us at:

"Customer Care" ~ The Peak Group of Companies
P.O. Box 96060, Richmond, B.C. Canada V7A 5J4.

Finally, we'd like to remind you to always work safely. Then, take pride, relax with your family and experience years of enjoyment with PEAK® products.

The Peak Group of Companies

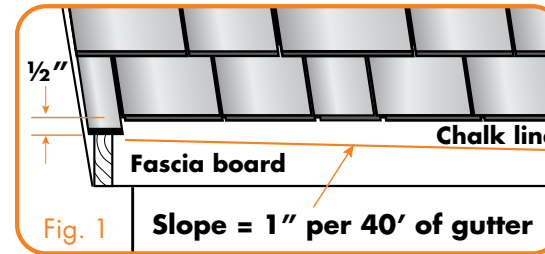
Initial Preparation

- Remove existing gutter. Examine fascia board for rotted sections and replace if necessary.
- If required, install PEAK® aluminum fascia cover (see PEAK®'s Soffit and Fascia installation brochure for details).
- Determine number of required gutter sections and the accessories using a PEAK® Gutters layout planner (available in store or at www.peakproducts.com).
- Install downpipe for each 30' to 50' of gutter while considering such factors as the location of drain tiles, ground conditions and slope.

Gutter Installation

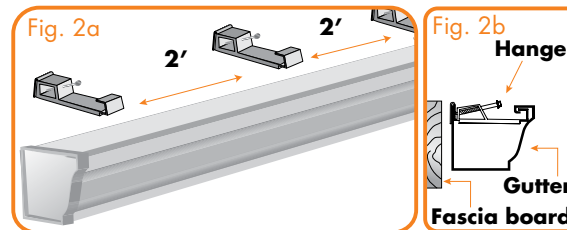
STEP 1 - Mark location and slope of gutter

Starting from an end of a fascia board opposite from a downpipe location, attach the chalk line to the fascia board 1/2" below the shingles (Fig. 1). Extend the chalk line along the fascia board towards the downpipe location, ensuring a slope of 1" per 40' of gutter. Snap the chalk line to mark the location of the slope.

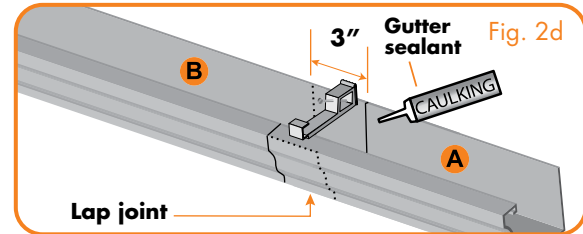
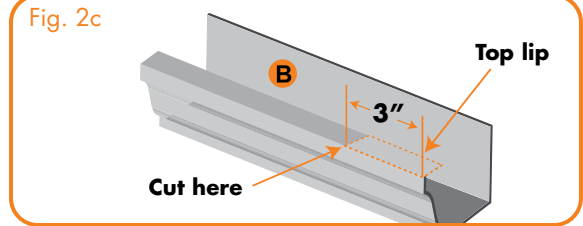


STEP 2 - Assemble and hang gutter sections

Attach and caulk an end cap to the first gutter section. For every 2' of gutter section, attach a gutter hanger (Fig. 2a) ensuring the hanger is completely seated in the gutter section (Fig. 2b). Following the marked chalk line, mount the first gutter section to the fascia board using the screws in the gutter hangers. Attach additional gutter sections along the marked chalk line as required. Proceed to step 3 to complete the last section of the gutter run.

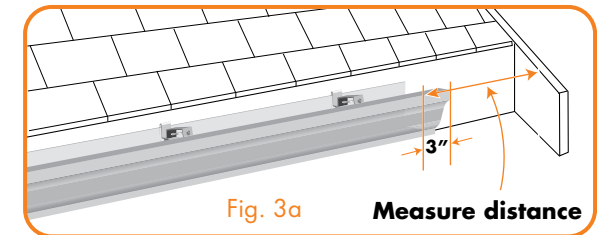


Note: To join gutter sections together, cut and remove the top part of the profile side of the next gutter section by at least 3" (Fig. 2c). Put one continuous bead of caulking along inside walls of section B where gutters will lap. Slide section B into section A to form a lap joint. Attach an additional gutter hanger in the centre of the lap joint (Fig. 2d).



STEP 3 - Complete gutter run and install outlet

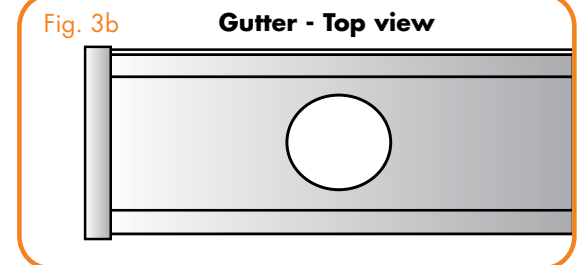
Measure the distance along the fascia board from the second to last gutter section to the end of gutter run ensuring the last gutter section overlaps the second to last gutter section by at least 3" (Fig. 3a). Temporarily attach the last gutter section to the run and mark the outlet location on the last gutter section based upon the downpipe location.



Remove the last gutter section and on the ground, use a hole saw to cut the outlet hole.

For ROUND Outlets:

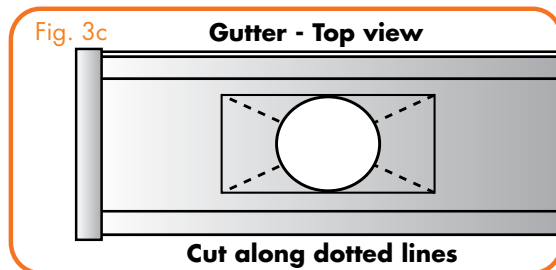
For a round outlet, use a hole saw to drill a hole for the outlet at the marked location (Fig. 3b).



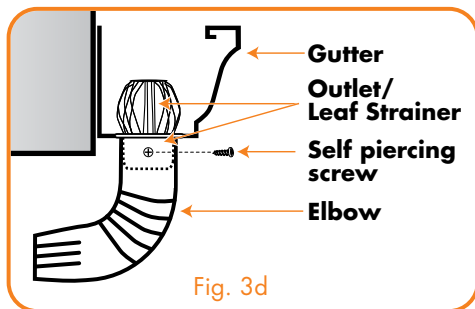
OR:

For 2" x 3" Outlet:

For a 2" x 3" outlet, follow above steps plus, trace the bottom of the outlet onto the outside of the last gutter section around the 2" hole. Use tin snips to cut lines into the corners of the traced outlet. Bend down the corresponding metal flaps and cut flaps using tin snips (Fig. 3c).



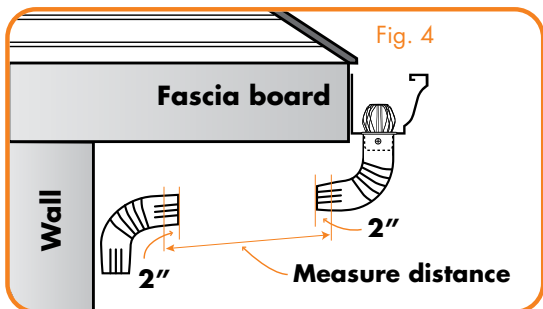
Apply caulking around the outlet hole in the last gutter section and insert the outlet. Attach an elbow to the outlet on the underside of the last gutter section using screws (Fig. 3d).



Attach and caulk an end cap to the last gutter section and attach last gutter section to remaining run. (Fig. 2d) Apply caulking sealant to connections.

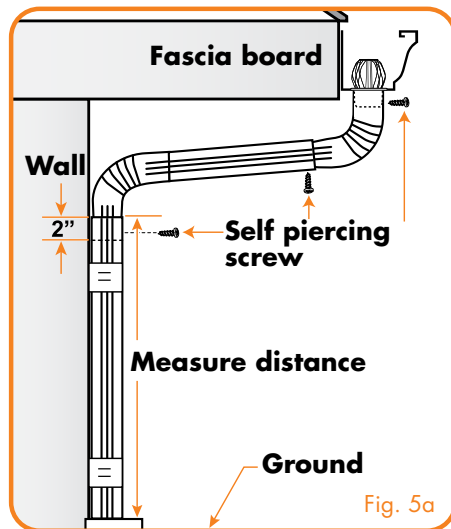
STEP 4 - Attach connecting downpipe

Place an elbow against the wall of the building in-line with the elbow from the last gutter section. Measure the distance between the elbows (Fig. 4) and cut a connecting section of downpipe to span the distance between the elbows, ensuring an overlap of at least 2" at each end. Attach connecting section to elbows using self-piercing screws as illustrated in Fig. 3b.



STEP 5 - Attach downpipe

Determine the entire length of the downpipe by measuring from the downpipe termination point (the ground or inside the drain tile) up to the elbow adjacent the wall of the building, ensuring the downpipe sections overlap one-another and the elbow by at least 2" (Fig. 5a).

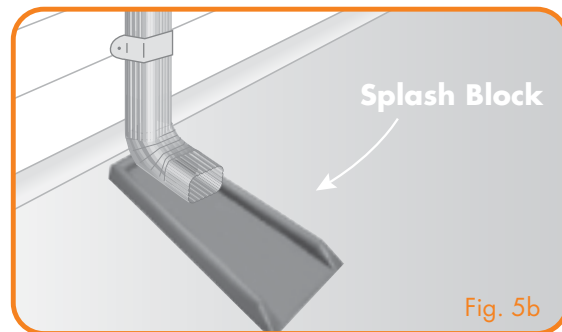


On the ground, cut or add downpipe sections together as required. To join downpipe sections together screw as illustrated.

Attach entire downpipe length to the elbow adjacent the wall of the building with screws as illustrated and ensure tapered ends of downpipe sections are pointing downwards.

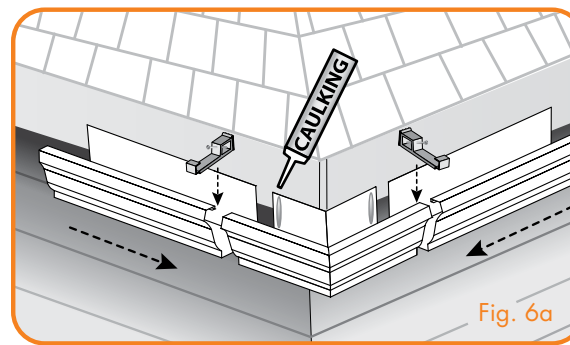
Ensure this is vertical using a level. Use two straps for every 10' of downpipe to secure the entire length of the downpipe to the wall of the building.

Note: place a tile cover over the drain tile if the downpipe terminates into a drain tile. If the downpipe does not terminate into a drain tile, attach an elbow to the downpipe to direct water away from the foundation of the building. If necessary, attach an additional length of downpipe to the elbow to direct water away from the foundation. Place a splash block underneath the water outlet to prevent erosion of the foundation (Fig 5b).

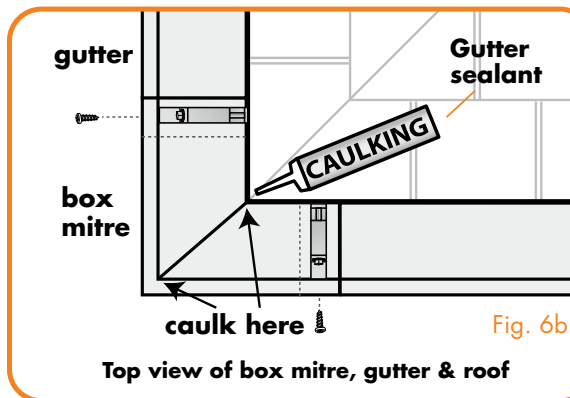


STEP 6 - Attach Mitres

For turning corners, attach mitres to the gutter sections. Apply a continuous bead of gutter sealant along inside of each end of the mitre where the gutter will lap with mitre. Slide gutter section at least 2" into mitre. Install a gutter hanger over the connection and screw into the fascia board (Fig. 6a).



Add gutter sealant to seams of box mitre to ensure it is water tight (Fig. 6b)

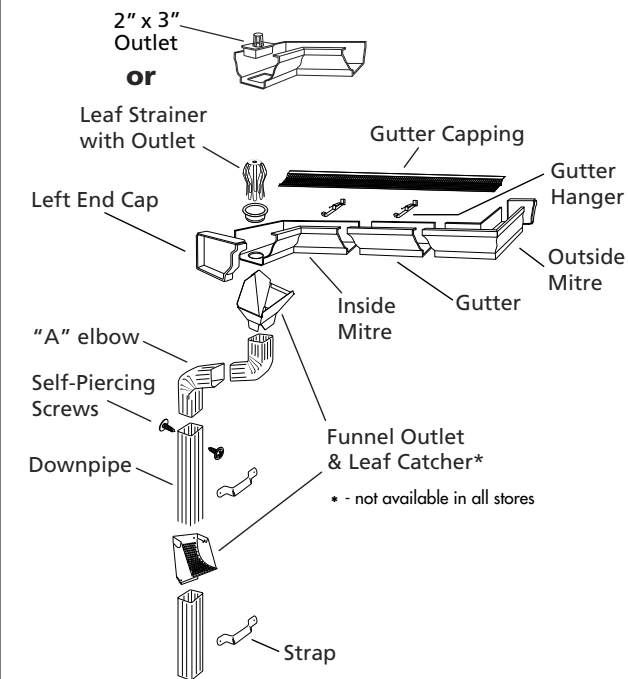


Pro tip: Installation of leaf strainers and gutter guards will help prevent debris from accumulating in the gutters and downpipes.

OBTAIN PROFESSIONAL ADVICE FOR ANY APPLICATIONS THAT ARE NOT DESCRIBED ABOVE.



Component List



THE HOME DEPOT INSTALLATION SERVICES
We do it for you. Results Guaranteed.
1-800-HOMEDEPOT (466-3337)



PEAK® and certain products and the materials associated therewith are protected by patents, designs, copyright and/or trademarks. All trademarks are used under license and are owned by Peak Innovations Inc.

No member of the Peak Group of Companies* shall be liable for any loss or damage resulting from the use or improper installation of any of these products. If any member of the Peak Group of Companies becomes liable for any loss or damage in respect of any or all of these products, the aggregate liability of the Peak Group of Companies shall be limited to the retail purchase price of that or those products.

* The Peak Group of Companies is defined at www.peakproducts.com