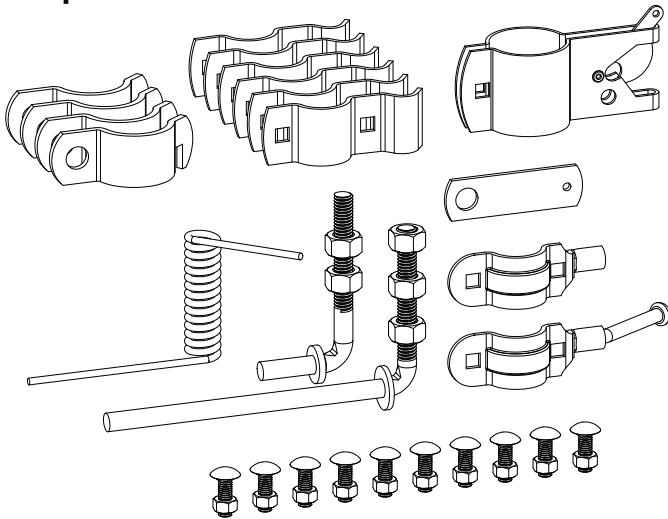




# Pool Gate Hardware Kit Installation Guide

**⚠ WARNING** FAILURE TO READ AND FOLLOW ALL INSTRUCTIONS MAY RESULT IN DROWNING, SEVERE INJURY OR DEATH.

## Components



## Tools Needed

- Safety goggles
- Adjustable wrench

## Planning

Prior to starting your fencing project, check with your local authorities for:

- location of underground services / utilities
- location of legally established property lines
- obtaining building codes and permits

**IMPORTANT:** Always understand and comply with your local building codes for pool fence and gate requirements:

- Height, clearances and openings
- Distance between the tops of horizontal members
- Location of the gate self-latching device above grade
- Gate swing direction from the pool or spa
- Self-closing gate hardware
- Other specified requirements

## Important Information

**⚠ WARNING** No representation or warranty is given that your particular application of these products complies with relevant building codes or that the fasteners provided or used are appropriate for your application. Consult with professionals and local building officials before beginning work: (i) to ensure compliance with relevant building codes for your application and for your proposed use of fasteners; (ii) to ensure the integrity of the structural components in connection with which these products are to be used; (iii) to identify appropriate safety gear that is to be used during installation; (iv) to ensure that the work area is free from utilities, services and hazards; and (v) to clarify any instructions or warnings that may not be clear. Work in a safe manner wearing protective gear such as gloves, eyewear, headwear, footwear and clothing. When using tools comply with operation manuals and instructions. Installation materials may have sharp edges and could fragment or splinter during or as a result of handling or cutting. Do not use these products in connection with any substance that is or may be harmful or corrosive to the products. Inspect and maintain these products and the structural components that they are used in connection with on a regular basis, using professionals when appropriate.

No member of The Peak Group of Companies (as defined at [www.peakproducts.com](http://www.peakproducts.com)) shall be liable for any loss or damage resulting from the improper installation or use of this product. In the unlikely event that any member of The Peak Group of Companies becomes liable for any loss or damage, the aggregate liability shall be limited to the retail purchase price of the product.

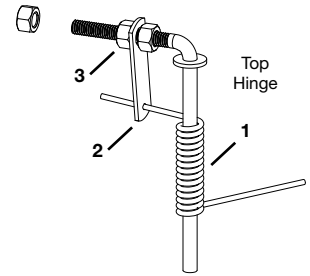
Peak products and associated materials are protected by patents, designs, copyrights and/or trademarks used under license from Peak Innovations Inc.

This installation guide is updated from time to time. Please refer to the latest version at [www.peakproducts.com](http://www.peakproducts.com)

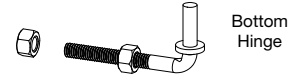
P.O. Box 96060, Richmond BC, Canada V7A 5J4  
© Peak Innovations Inc. 2018 V1

## Instructions

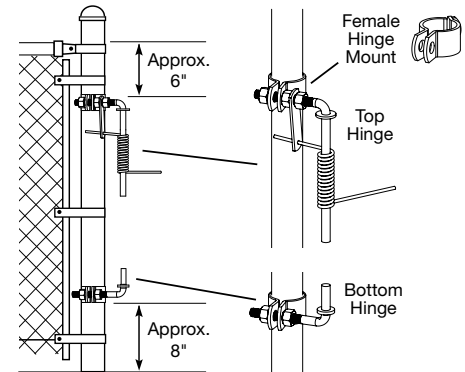
- Assemble the top hinge by first removing two of the three hex nuts from the threads. Slide the spring onto the unthreaded portion of the rod (1). Fit the plate over the thread and top spring arm (2), and install a nut (3) to hold the plate in place. Leave the final nut unstalled for now.



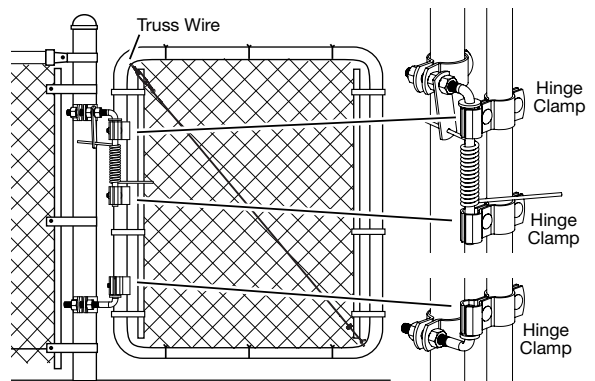
Remove a nut from the bottom hinge.



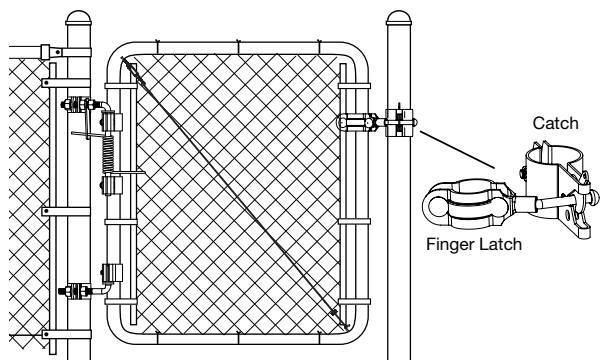
- Install the top and bottom hinges onto the gate post through the female hinge mounts. The top hinge should be located approx. 6" below the top rail, and the bottom hinge approx. 8" above the ground.



- Secure hinge clamps to gate frame but do not fully tighten. The truss wire on the gate should be at the top corner of the hinge side of the gate. Adjust the position of the gate hinge clamps so that the top of the gate is level with the top rail of the fence. Tighten the hinge clamp bolts to secure the position of the gate.



- Secure the finger latch to the opening side of the gate frame. Slide the catch over the main post (remove post cap first) and tighten the bolt when it is positioned to receive the finger latch rod.



**OBTAIN PROFESSIONAL ADVICE FOR ANY APPLICATIONS THAT ARE NOT DESCRIBED IN THIS INSTALLATION GUIDE.**