

# ALUMINUM PEAK® Handrail Kit

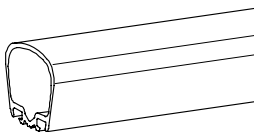
## Installation Instructions



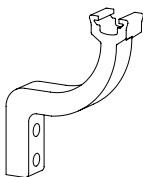
### Kit contains:

Qty

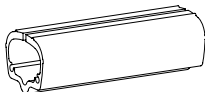
1 8' Handrail



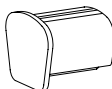
3 Brackets  
(fits up to  
 $\frac{5}{16}$ " diameter  
fasteners)



1 Splice



2 End caps



6  $\frac{1}{4}$ " x 3"  
Lag screws



6 #8 x 1"  
Self-tapping  
screws




### Tools and materials required:

- $\frac{3}{8}$ " socket or wrench
- Drill,  $\frac{9}{64}$ " &  $\frac{3}{16}$ " drill bits
- Phillips #2 bit or screwdriver
- Stud finder
- Measuring tape
- Square
- Pencil
- Mitre saw with non-ferrous metal cutting blade
- Safety glasses

**⚠ WARNING** No representation or warranty is given that your particular application of these products complies with relevant building codes or that the fasteners provided or used are appropriate for your application. Therefore consult with professionals and local building officials before beginning work: (i) to ensure compliance with relevant building codes for your application and for your proposed use of fasteners; (ii) to ensure the integrity of the structural components in connection with which these products are to be used; (iii) to identify appropriate safety gear that is to be used during installation such as a safety harness when working above ground; (iv) to ensure that the work area is free from utilities, services and hazards; and, (v) to clarify any instructions or warnings that may not be clear. Work in a safe manner wearing protective gear such as gloves, eyewear, headwear, footwear and clothing. When using tools always comply with operation manuals and instructions. Metal may have sharp edges and could fragment or splinter during or as a result of handling or cutting. Do not use these products in connection with any substance that is or may be harmful or corrosive to the products. Inspect and maintain these products and the structural components that they are used in connection with on a regular basis using professionals when appropriate.

No member of The Peak Group of Companies (as defined at [www.peakproducts.com](http://www.peakproducts.com)) shall be liable for any loss or damage resulting from the improper installation or use of this product. In the unlikely event that any member of The Peak Group of Companies becomes liable for any loss or damage, the aggregate liability shall be limited to the retail purchase price of the product. Peak® products and the materials associated therewith are protected by patents, designs, copyright and/or trademarks. All trademarks are used under license from Peak Innovations Inc. May be subject to patent(s) or patent(s) pending. Made in Mexico for The Peak Group of Companies P.O. Box 96060, Richmond, BC, Canada V7A 5J4 © 2015 Peak Innovations Inc. V1

## IMPORTANT INFORMATION

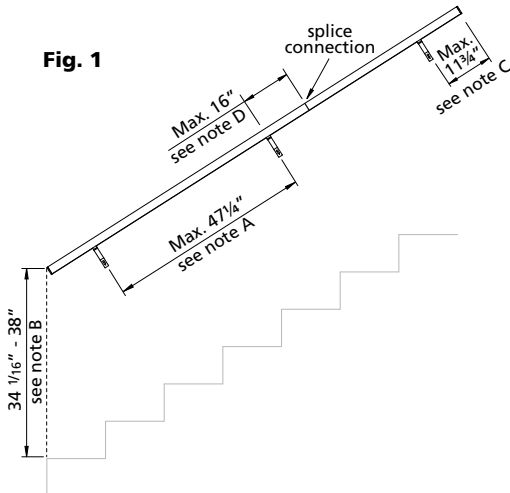
 **In Canada (Not for use in USA)**

**For RESIDENTIAL use only:**

Stairs or ramps serving a single dwelling unit.

As shown in Fig. 1:

- A. bracket spacing should not exceed 47¼"
- B. height of top of handrail should be between 34 1/16" and 38" above nose of stair tread or ramp
- C. end of handrail should not extend more than 11¾" past the end of the bracket
- D. splice connections should be located between any 2 brackets, and no more than 16" from any one bracket

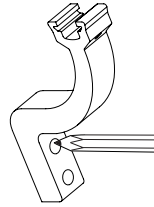


## INSTALLATION

1. Determine the quantity of 8' Handrail Kits you will need.

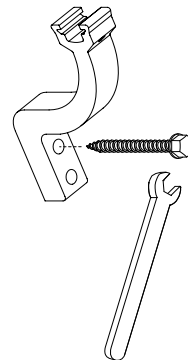
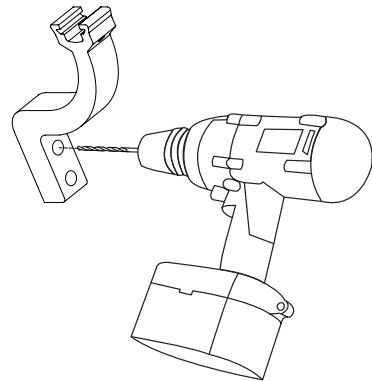
**Note:** Spans greater than 8' will require multiple kits.

2. Use a stud finder to locate the position of all wood studs in the wall. Then measure and mark the position of all brackets on the wall, ensuring they will hit the studs (space equally).



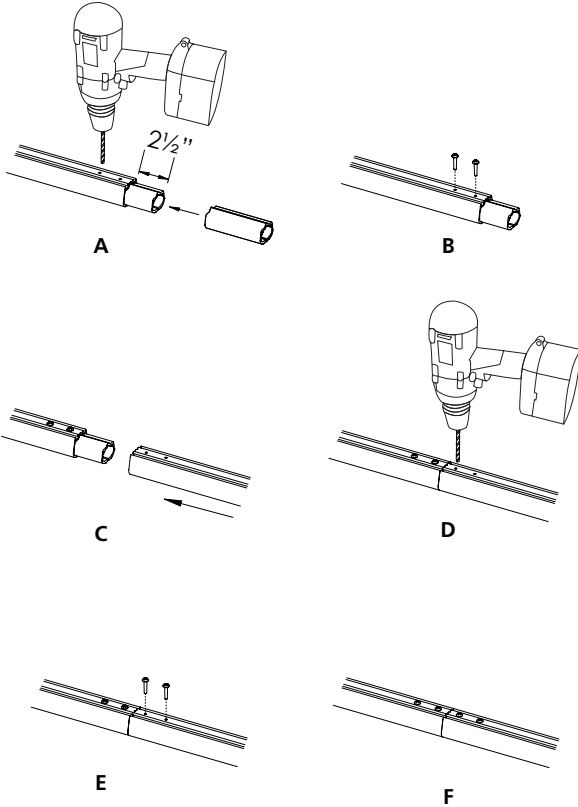
**⚠ IMPORTANT** Height of top of handrail should be between 34 1/16" and 38" above nose of stair tread or ramp. Do not exceed 47¼" maximum bracket spacing (see Fig. 1 on page 2).

3. Starting with the top bracket, drill a 3/16" pilot hole into the wood stud, then install a lag screw (provided). Tighten the lag screw until the bracket is secure but can rotate freely.



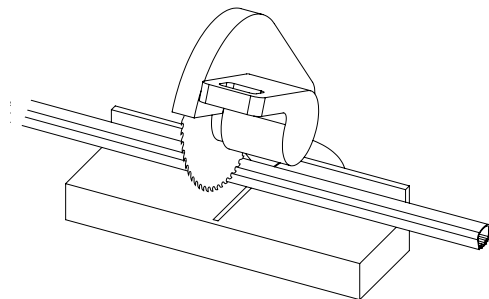
**4. IMPORTANT Only complete this step for handrails longer than 8'.**

To join two or more handrails together, insert splice  $2\frac{1}{2}$ " into first handrail and drill  $\frac{9}{64}$ " pilot holes through handrail and splice. Then install two self-tapping screws (provided). Attach second handrail to other side of splice following the same procedure. Repeat this step for each additional handrail.

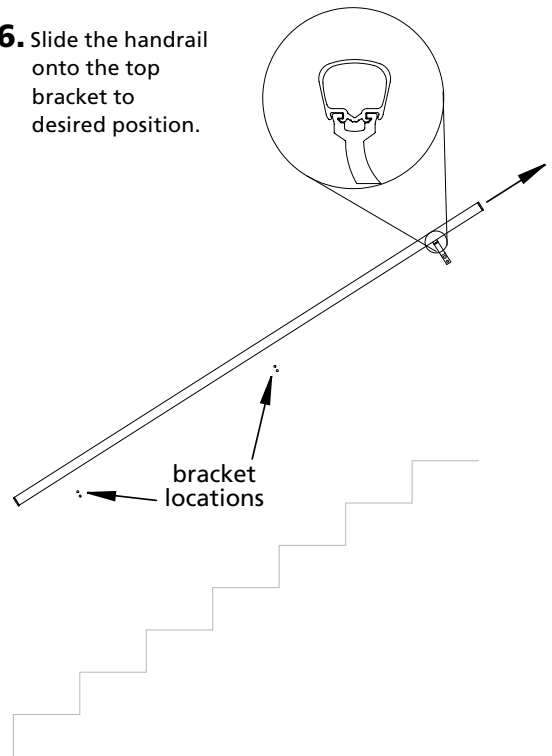


**5. Measure and cut the handrail to the desired length using a mitre saw with a non-ferrous metal cutting blade.**

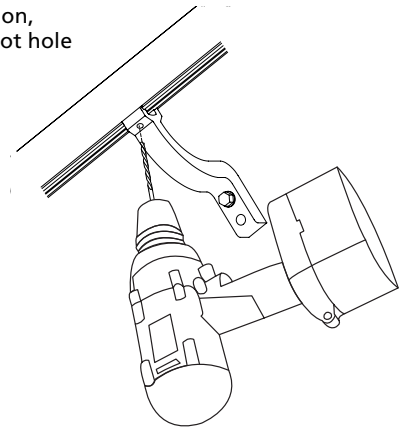
**IMPORTANT Always wear eye protection.**



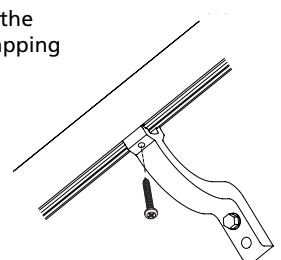
**6. Slide the handrail onto the top bracket to desired position.**



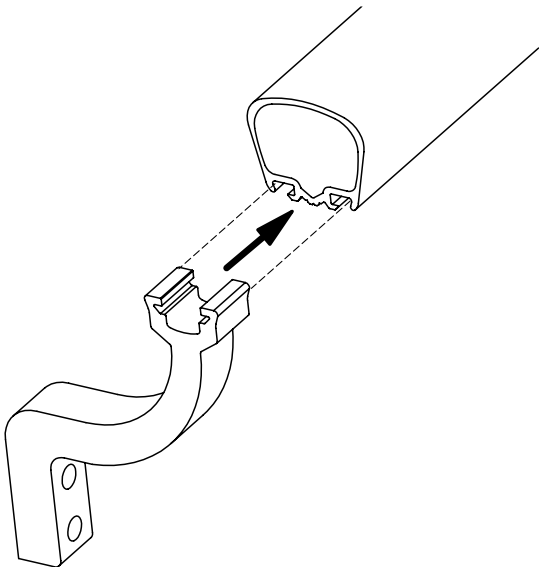
**7. Once in position, drill a  $\frac{9}{64}$ " pilot hole through the bracket into the handrail.**



**8. Fasten the bracket to the handrail with a self-tapping screw (provided).**



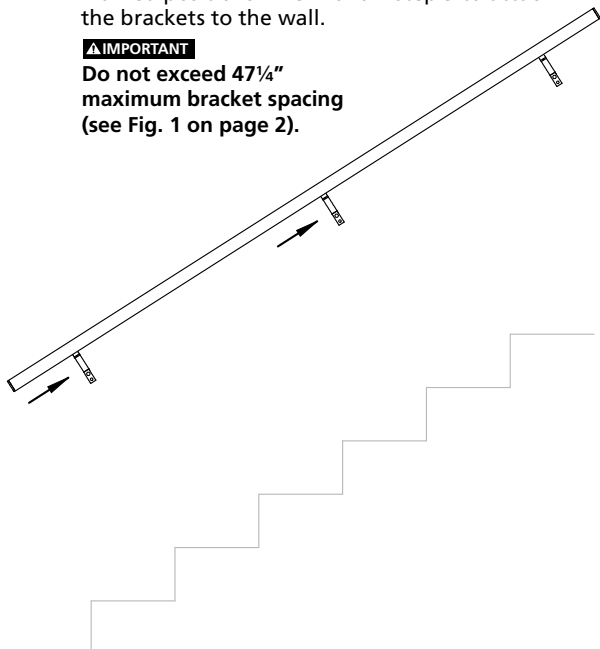
- 9.** From the bottom end, slide the required number of brackets into the underside of the handrail.



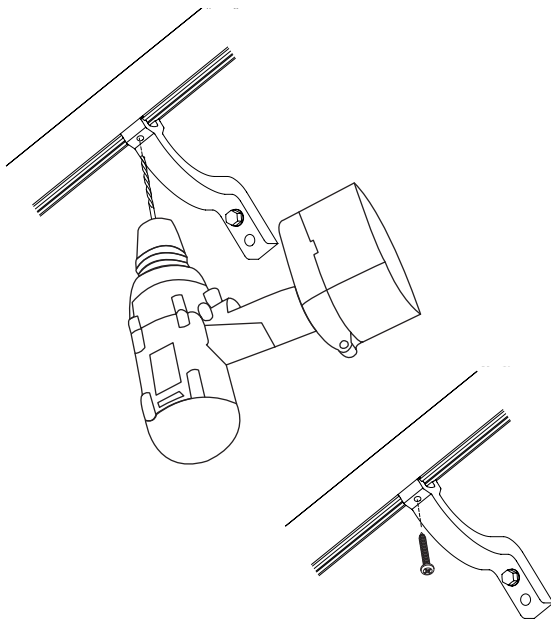
- 10.** With the help of another person, adjust the handrail height and slide the brackets into the marked positions. Then follow step 3 to attach the brackets to the wall.

**▲IMPORTANT**

Do not exceed 47¼" maximum bracket spacing (see Fig. 1 on page 2).



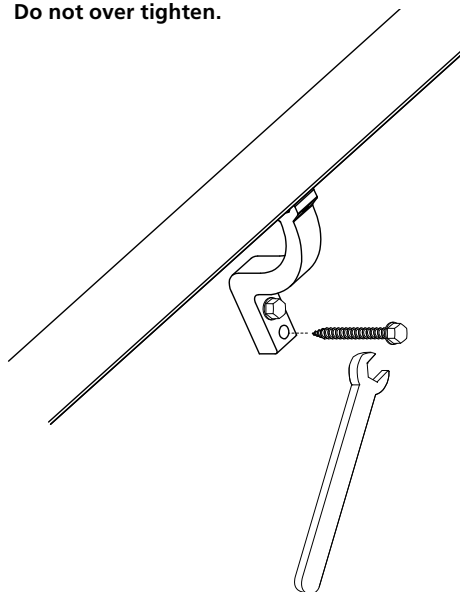
- 11.** Follow steps 7 and 8 to fasten the remaining bracket(s) to the handrail.



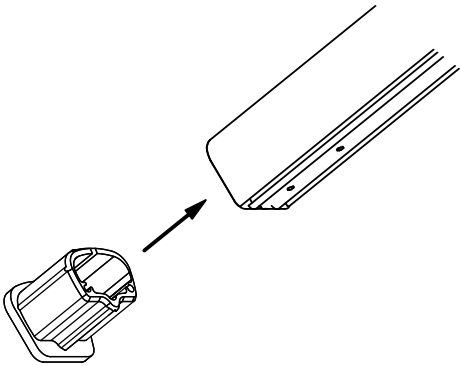
- 12.** Drill  $\frac{3}{16}$ " pilot holes and fasten each bracket to the wall with a second lag screw (provided). Tighten the lag screws on all brackets.

**▲IMPORTANT**

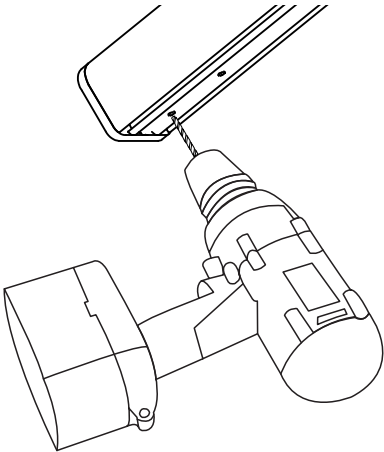
Do not over tighten.



**13.** Slide an end cap into each end of the handrail.



**14.** Drill  $\frac{9}{64}$ " pilot holes through handrail and end caps at each end of handrail.



**15.** Secure end caps with a self-tapping screw (provided) at each end of handrail.

