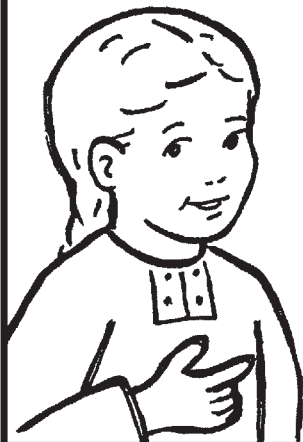


Your manners are showing
In work and in play.
Your kindness makes others
Feel happy each day.

(Write your name here.)



***tries to
use good
manners
each
day!***

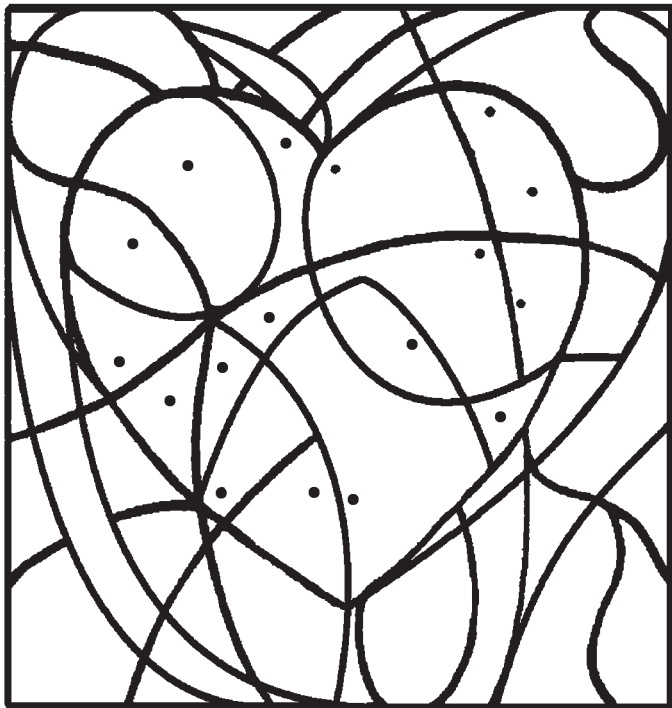
Be a Helper

Color.



Where Do Good Manners Start?

Color the dotted areas to find out.



What Is the Key to Good Manners?

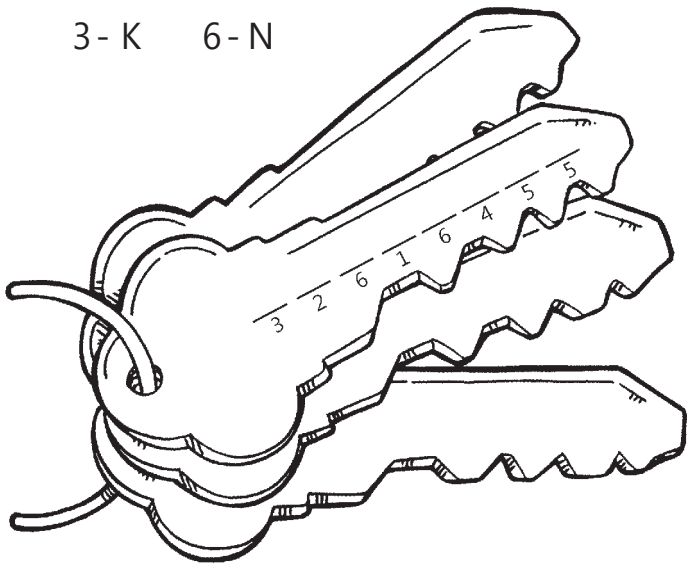
Use the code to find it.

CODE:

1 - D 4 - E

2 - I 5 - S

3 - K 6 - N



Do Your Share of Work

Connect the dots.

