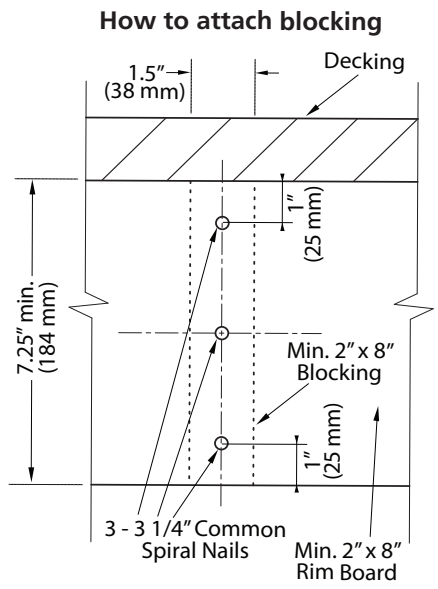
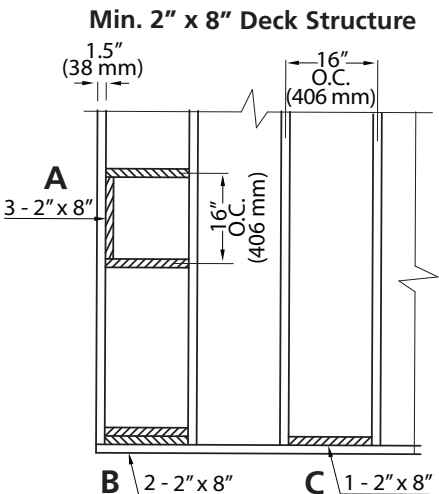
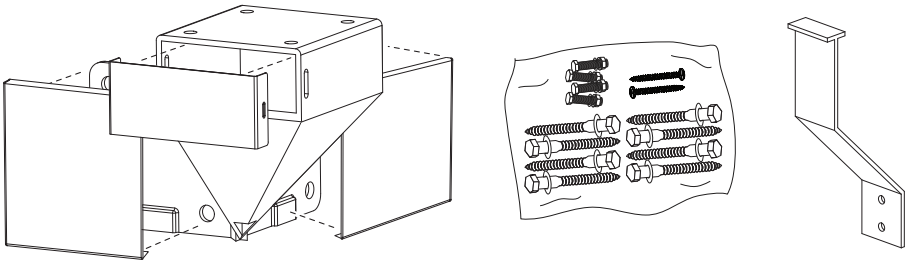


▲ IMPORTANT Independent tests were conducted on a sample of fascia mount brackets installed on a wood deck test frame composed of Southern Yellow Pine. These fascia mount brackets were installed using the accompanying fasteners in accordance with these installation instructions (including the blocking patterns A, B, and C described herein) and were tested with a RailBlazers® post attached. The installed fascia mount brackets and post sustained the live and factored horizontal concentrated load (applied at the top of the guard) requirements specified in section R301.5 of the 2012 International Residential Code. No assurance is given that the enclosed fascia mount bracket, when installed using the enclosed fasteners and with a RailBlazers® post, will be able to sustain these live and factored horizontal concentrated load requirements if the manner of installation deviates in any way from the manner of installation described in these installation instructions or if the wood deck, to which the fascia mount bracket and post are installed, is composed of an inferior species of wood or the wood is in poor or deteriorated condition or if the fascia mount bracket is installed with a post that is not a RailBlazers® post. Professional advice should be obtained to ensure that the enclosed fascia mount bracket and the RailBlazers® post are installed in accordance with these installation instructions in every respect and that the wood deck, to which the fascia mount bracket and post are attached, is treated with alkaline copper quaternary (ACQ), is of suitable composition, condition and quality at the time of the installation, is constructed using Southern Yellow Pine and is properly and adequately maintained at all times after the installation.

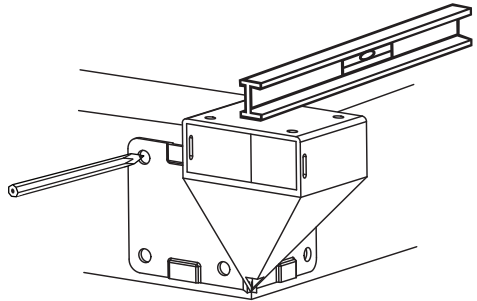
2. Add blocking to deck structure where fascia mount brackets will be attached, according to blocking patterns A, B, or C below.



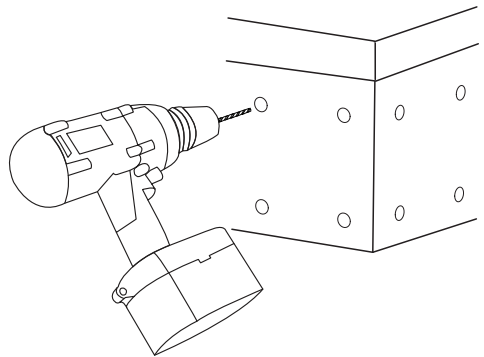
3. Remove the covers, fasteners and base rail support from the inside of the bracket.



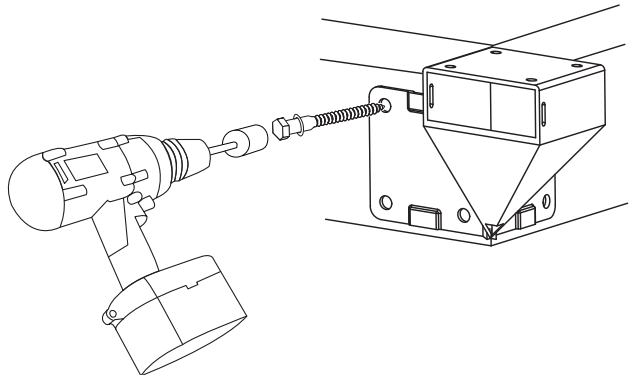
4. Starting at one end of the railing, hold the first fascia mount bracket in position ensuring that the top of the bracket is level with the deck surface. Mark the position of the 8 fastener holes on the fascia boards.



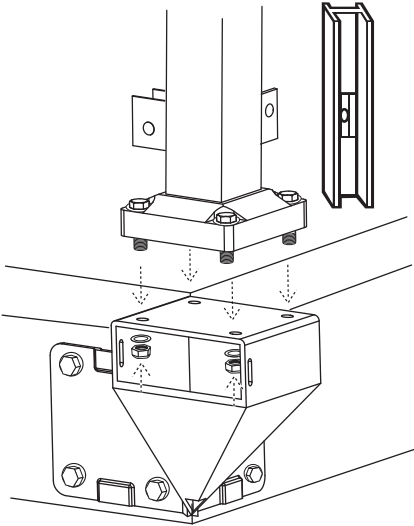
5. Remove the bracket and drill 3/16" pilot holes at the marked positions.



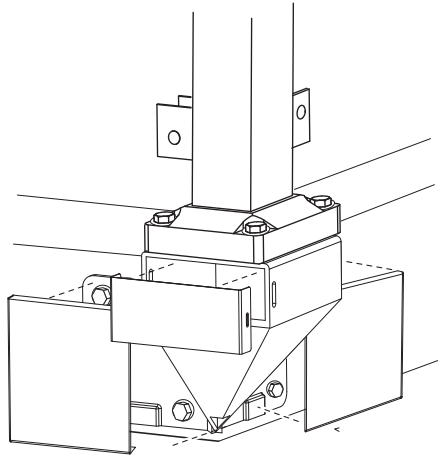
6. Place the bracket back into position and attach the bracket to the fascia boards using the 8 - 3/8" x 3" lag bolts supplied. Ensure that the top of the bracket is level and plumb (shim as necessary).



7. Attach the post to the fascia mount bracket using the 4 - 1/4" x 1 1/2" machine bolts, washers and locking nuts supplied. Ensure post is plumb (shim as necessary).

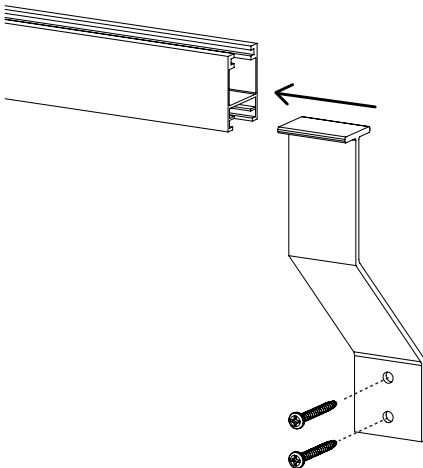


8. Install the covers on the bracket.



9. Attach remaining brackets to deck structure following steps 3-6 above.

▲IMPORTANT Use the Fascia Mount Base Rail Support when installing base rail(s).



10. Follow the RailBlazers® Aluminum Railing System Installation Guide (available in-store or at www.railblazers.com) for the remainder of the installation.

RailBlazers®
ALUMINUM RAILING SYSTEM

Installation Guide
U.S. Version



Tools & Materials Needed

- Hacksaw or metal cutting saw
- Drill
- Drill bits: 1/8", 1/4", 5/32", 7/32"
- 3/8" socket or wrench
- Phillips screwdriver
- Measuring tape
- Non-corrosive exterior silicone caulking

All fasteners are included with each component.

-  Self-drilling screw
-  Phillips screw
-  Lag bolt
-  Universal Connector (UC) bolt

See WARNING on inside panel.


peakproducts.com