

Report of:

RailBlazers[®] Aluminum Railing System Post Attachment to Concrete

- **2012 British Columbia Building Code - Part 9**
- **2015 National Building Code of Canada - Part 9**
- **2012 Ontario Building Code - Part 9**

WARNING

No representation or warranty is given that your particular application of these products complies with relevant building codes or that the fasteners provided or used are appropriate for your application. Therefore consult with professionals and local building officials before beginning work: (i) to ensure compliance with relevant building codes for your application and for your proposed use of fasteners; (ii) to ensure the integrity of the structural components in connection with which these products are to be used; (iii) to identify appropriate safety gear that is to be used during installation such as a safety harness when working above ground; (iv) to ensure that the work area is free from utilities, services and hazards; and, (v) to clarify any instructions or warnings that may not be clear. Work in a safe manner wearing protective gear such as gloves, eyewear, headwear, footwear and clothing. When using tools always comply with operation manuals and instructions. Metal and glass may have sharp edges and could fragment or splinter during or as a result of handling or cutting. Do not use these products in connection with any substance that is or may be harmful or corrosive to the products. Inspect and maintain these products and the structural components that they are used in connection with on a regular basis using professionals when appropriate. These instructions have been prepared for certain standard residential applications. Obtain professional advice for any non-standard or non-residential application.



11 Jan 2018
LHS Ref. 4200a

Peak Products Manufacturing Inc.
203 - 11782 Hammersmith Way
Richmond, BC V7A 5E2

Re: RailBlazers® – Anchoring of Guard Posts to Concrete

This is to confirm we have reviewed the loads to anchors for Peak RailBlazers® guard posts, specifically for mounting to cast-in-place concrete structures in situations that are represented on the attached installation detail drawings.

Guard anchor load is determined using the horizontal load of 1.0kN at a height of 1070mm, applied to a post in a straight row of posts as mandated by the following codes:

- 2012 British Columbia Building Code
- 2015 National Building Code of Canada
- 2012 Ontario Building Code.

This load applies a moment to the post base, which resists overturning using the two anchors on the loaded side (normally inboard side at edge of protected surface).

Anchor selections are based on factor of safety ≥ 1.5 (FOS = ultimate load / applied load).

For the post bases we recommend use of Hilti KWIK Bolt 3, 1/4" diameter x 3" embedment, in carbon steel with plated finish or in stainless steel. This anchor has a threaded stud projecting above the nut after installation, which may be capped with a plastic cap or an acorn nut.

Alternately Tapcon concrete screw anchors may be used, 5/16" diameter x 3" embedment, in stainless steel or coated carbon steel. Tapcon screws will leave a hex-head exposed.

Either product must be installed strictly in accordance with its manufacturer's instructions, particularly with respect to hole diameter and depth.

If an installing contractor wishes to propose an alternate product, complete details should be submitted for review.

L. H. SCHWINDT & COMPANY INC.

We trust this report will be of assistance. Please call in case of questions.

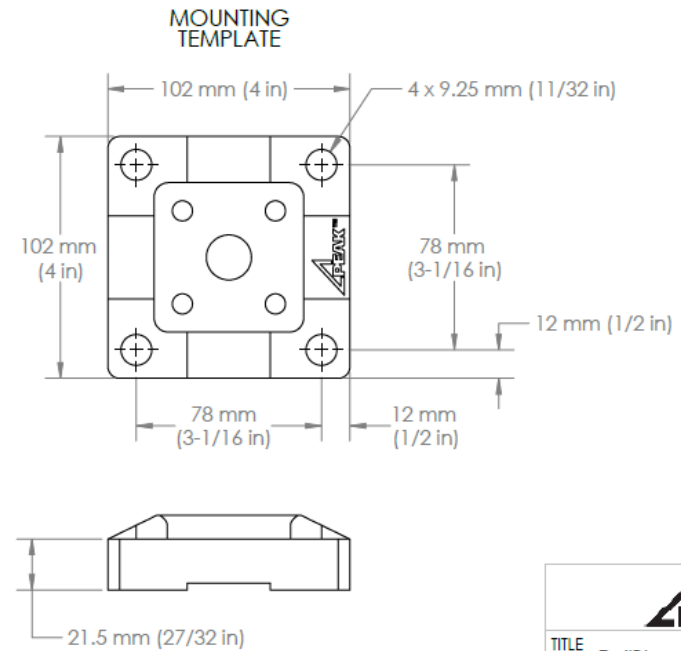
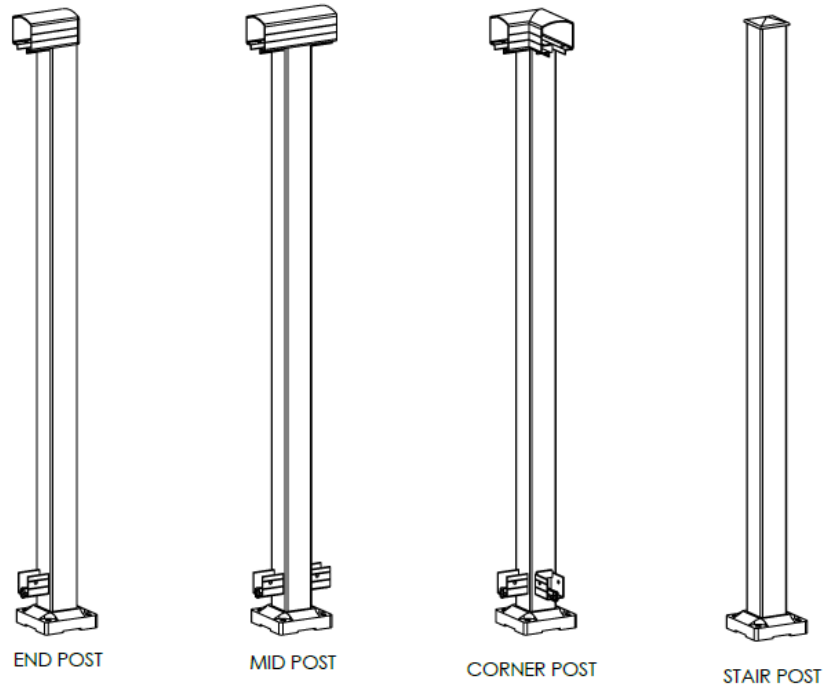
Regards,

L. H. SCHWINDT & COMPANY INC.



J. David Howard, P. Eng.

L. H. SCHWINDT & COMPANY INC.



PEAK

TITLE RailBlazers® Posts - Part 9
Concrete Attachment with
Threaded Fasteners

PART FILE fig-post-corner PAB

DWG REV B

DIMENSIONS ARE IN MM UNLESS NOTED
DO NOT SCALE DRAWING

PROPRIETARY AND CONFIDENTIAL
THIS DRAWING AND ITS CONTENTS ARE PROPERTY
OF THE ISSUING PEAK COMPANY (INCLUDING PEAK
INNOVATIONS INC. AND PEAK PRODUCTS
CORPORATION). ANY DISSEMINATION OR
REPRODUCTION OR UNLICENSED USE IN WHOLE OR
IN PART IS STRICTLY PROHIBITED.

SIZE	DWG. NO.
B	Report-posts RB-CAN_ConcP9Fasteners
SCALE: 1:8	SHT REV 2017-05-16

DESCRIPTION	SKU
End Post	10000, 10001, 90000, 90001
Mid Post	10010, 10011, 90010, 90011
Corner Post	10020, 10021, 90020, 90021
Stair Post	10050, 10051, 90050, 90051

