

SASHA LED

MODERN LIGHTING FOR MODERN LIVING

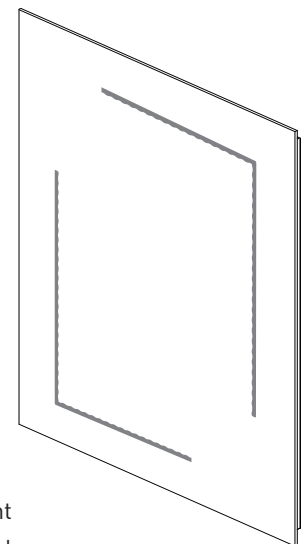
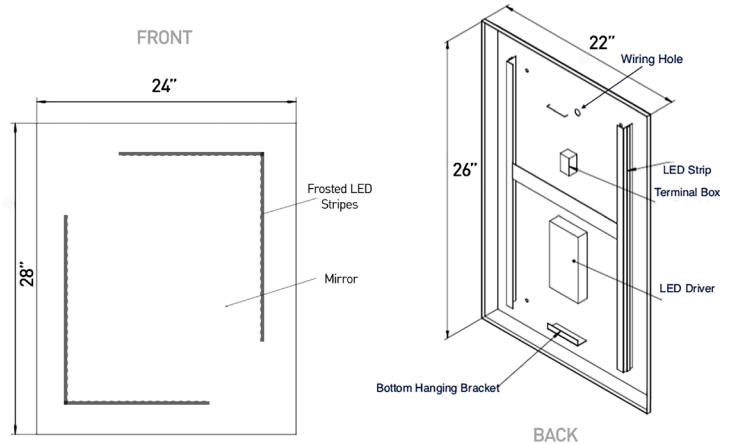
LED BATHROOM MIRROR

24"x 28"

CUSTOM SIZES AVAILABLE



The OWEN LED Lighted Mirror features a polished edge mirror that hangs on a white powder coated stainless steel backing. A series of small LED lightbulbs glow through frosted strips on the mirror to brighten up the objects in front of it. Easy hanging system uses an invisible trim providing a sturdy waterproof final product. Certified for commercial as well as residential uses.



MODEL: OWEN

- On/off switch
- 5 Year warranty
- 5mm polished edge glass
- Weight: 25lb.
- 6,000K color temperature light
- Installation hardware included
- For commercial or residential use
- Installation type: Wall/Surface Mount
- Waterproof invisible mounting system
- Requires electrical hardwire installation
- 50,000 hour LED bulbs (included, replaceable)
- 110-120V input converted to 12V via LED Driver