

# SASHA LED

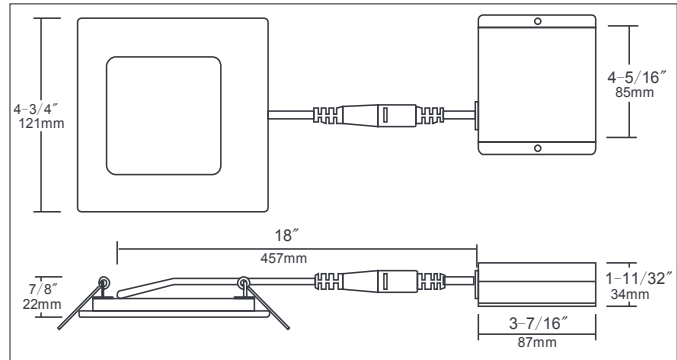
MODERN LIGHTING FOR MODERN LIVING

## LED SQUARE PANEL LIGHT

SIZE: 4.5 x 4.5"

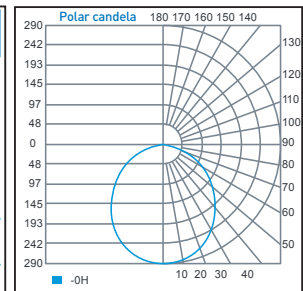


This 4.5" square recessed LED light fixture features a 9 watt LED module that maintains uniform intensity producing up to 500LM, with a typical CRI of 90 and a 50,000 hour life span. Certified for use in damp locations and in insulated ceilings. Dimmable with most standard incandescent (triac) and low voltage electronic (ELV) dimmers for 10-100% light control. Color temp. 3000°K.



- Suitable for insulated ceiling applications.
- Dimmable (standard incandescent and electronic dimmers) for 10-100% light control.
- Eliminate up to 14 lamps replacements - longer life Hongli LEDs last up to 50,000 hours.
- EnergyStar™ & ETL-compliant, for damp locations.
- Aluminum trim ring with durable powder coat finish.
- Polycarbonate lens light diffuser.
- Individual Junction Box.
- Type IC Isolated Driver.
- Two spring loaded clips (included) allow attachment to any ceiling material.
- The slim profile allows for mounting under joists or duck work.

Zonal Lumen Summary		
Zone	Lumens	% Luminaire
0 - 30	222.0	29%
0 - 40	358.7	46.9%
0 - 60	616.6	80.6%
60 - 90	148.3	19.4%
70 - 100	60.3	7.9%
90 - 120	0	0%
0 - 90	565.3	100%
90 - 180	0	0%
0 - 180	765.3	100%



Illuminance at a Distance		
	Center Beam FC	Beam Width
3.3ft	26.5 fc	8.7ft
6.7ft	6.44 fc	17.7ft
10.0ft	2.89 fc	26.4ft
13.3ft	1.63 fc	35.1ft
16.7ft	1.04 fc	44.0ft
20.0ft	0.72 fc	52.7ft

■ Vertical Spread: 105.6

5-Year Limited Warranty

### SPECIFICATIONS

Input Voltage	120 - 220V (AC)
Color Temperature	3000°K
CRI	90
Current	260mA
Beam Angle	120°
Dimmable	YES
Housing	Aluminum
Lens	Etched White Polycarbonate
Rating	c/ETL/UL Listed, Energy Star
Power Factor	>0.95
Mounting	Recessed
Average Life	50,000 Hours
LED Type	45PCS
Lumens	500
Power	9 Watt



Intertek

