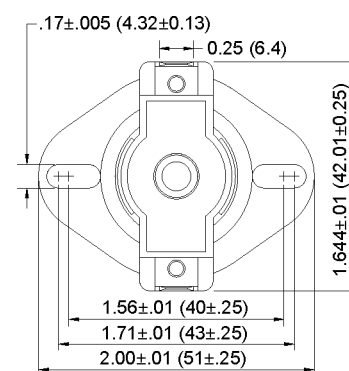
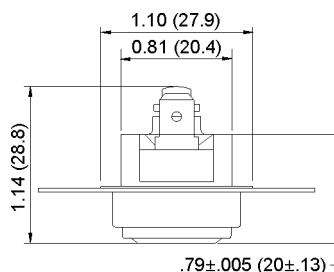
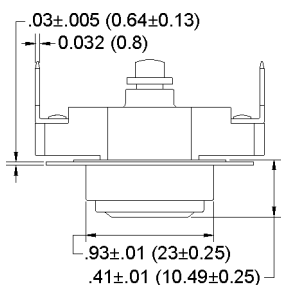


3/4" Disc Thermostats - Manual Reset

SE and SES (T10/T11) Series - Airstream and Surface Mount



FEATURES

- 25 Amp capacity
- Operation up to 350°F
- Factory calibrated to your specifications

APPLICATIONS

- H.V.A.C.
- Major appliances
- Vending machines

Selco thermostats are widely used to control or protect high-power home appliances like dryers, dishwashers, home water heaters, and solar heaters. The switch mechanism is actuated by a snap-action bimetal disc, which may be enclosed or exposed.

Made to open on temperature rise, these SPST devices are available in a variety of mounting configurations. Temperature calibrations are preset and typically built to order. These units are not considered as "M2" trip free devices. Consult Selco for additional models available from stock.

Models available from stock - subject to availability

Limit Controls • SES-L - Open On-Rise (normally closed)

Model Number	Temperature Ranges
	Open °F
SES-L200M*	200 ± 11
SES-L250HM*	250 ± 14
SES-L265HM*	265 ± 14
SES-L350M*	350 ± 16

* Mounting Configuration: Surface

SPECIFICATIONS

Electrical ratings	120VAC, 240VAC, 25 Amps, Resistive, 60Hz 120VAC, 10FLA, 60LRA, 60Hz, Inductive 240VAC, 5FLA, 30LRA, 60Hz, Inductive 5,000 Cycles
Temperature range (UL Models)	33°F to 302°F (1°C to 150°C)
Temperature range (Non-UL Models)	302°F to 350°F (150°C to 177°C)
Dielectric strength	1,500VAC/1 minute
Approvals	UL Recognized File No. E145478(S), XAPX2 C-UL Recognized File No. E145478(S), XAPX8

Models available from stock - subject to availability

Limit Controls • SE-L - Open On-Rise (normally closed)

Model Number	Temperature Ranges
	Open °F
SE-L090M*	90 ± 11
SE-L120M*	120 ± 11
SE-L130M*	130 ± 11
SE-L160M*	160 ± 11
SE-L170HM*	170 ± 11
SE-L200M*	200 ± 11
SE-L250M*	250 ± 14
SE-L350M*	350 ± 16

* Mounting Configuration: Airstream

It is the customer's sole responsibility to specify and determine the suitability of a particular control or component based on their unique individual applications and requirements

(714) 917-1333 • (800) 257-3526 • FAX (714) 917-1355 • E-mail: sales@selcoproducts.com