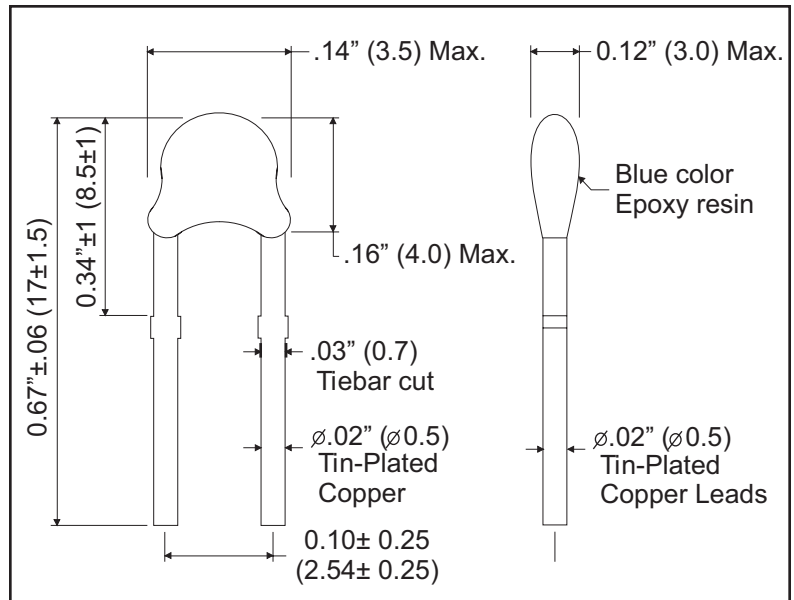


Short Lead NTC Epoxy Thermistors

HP Series



FEATURES

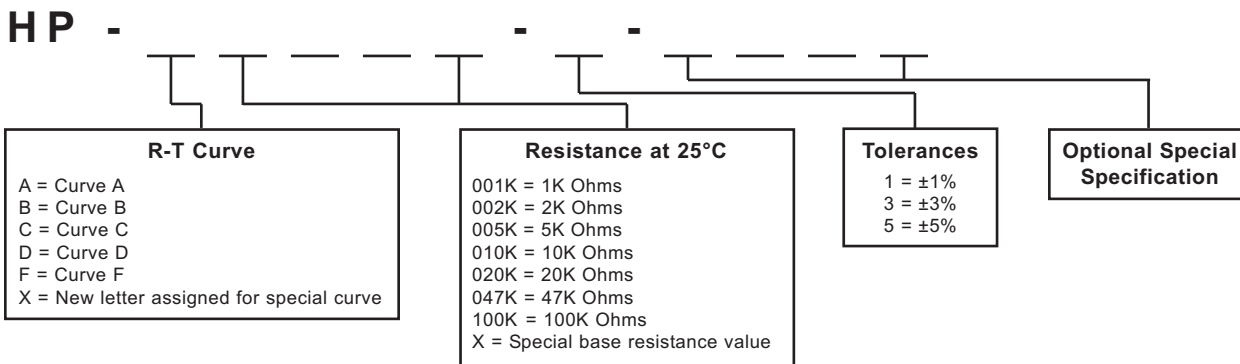
- High stability and low cost
- Tiebar cut allows consistent PCB placement
- RoHS Compliant

The HP thermistor is a low cost, tolerance based thermistor.

SPECIFICATIONS

Temperature range	-50°C to 110°C	Curves/Betas (25/85)	A Curve = 3977K B Curve = 3942K C Curve = 3695K D Curve = 4162K F Curve = 3435K
Continuous operating temp range	-50°C to 92°C	Tolerances at 25°C	±1%, ±3%, ±5%
Resistance at 25°C	1,000 Ohms 2,000 Ohms 5,000 Ohms 10,000 Ohms 20,000 Ohms 47,000 Ohms 100,000 Ohms	Dissipation constant	0.5 mW/°C in still air 2.0 mW/°C in stirred oil
		Thermal time constant	Typically 3.0 seconds in still air Typically 0.9 seconds in stirred oil
		Maximum power rating	10 mW at 25°C to 0.25 mW at 100°C

ORDERING MAP



Note: Other thermistor base resistance values, thermistor curves or Beta values, or tolerances may be available. Please contact Selco Products.

(775) 674-5100 • (800) 257-3526 • FAX (775) 674-5111 • E-mail: sales@selcoproducts.com