

PROPRIETARY NOTICE

THIS MATERIAL IS THE PROPERTY OF SELCO PRODUCTS AND MAY NOT BE USED, REPRODUCED, PUBLISHED OR DISCLOSED TO OTHERS WITHOUT EXPRESSED PERMISSION BY SELCO PRODUCTS FOR EACH AND EVERY INSTANCE

REVISIONS

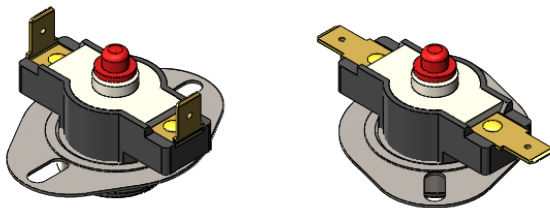
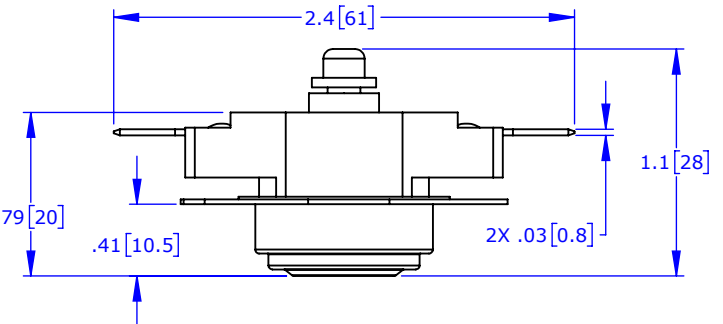
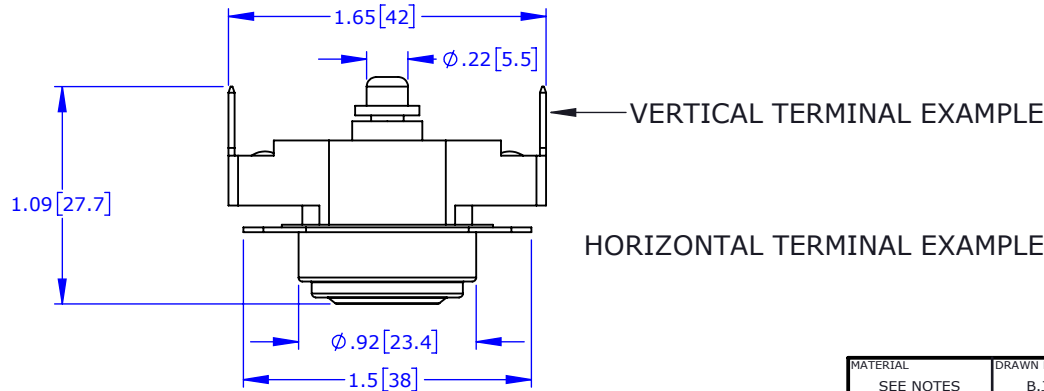
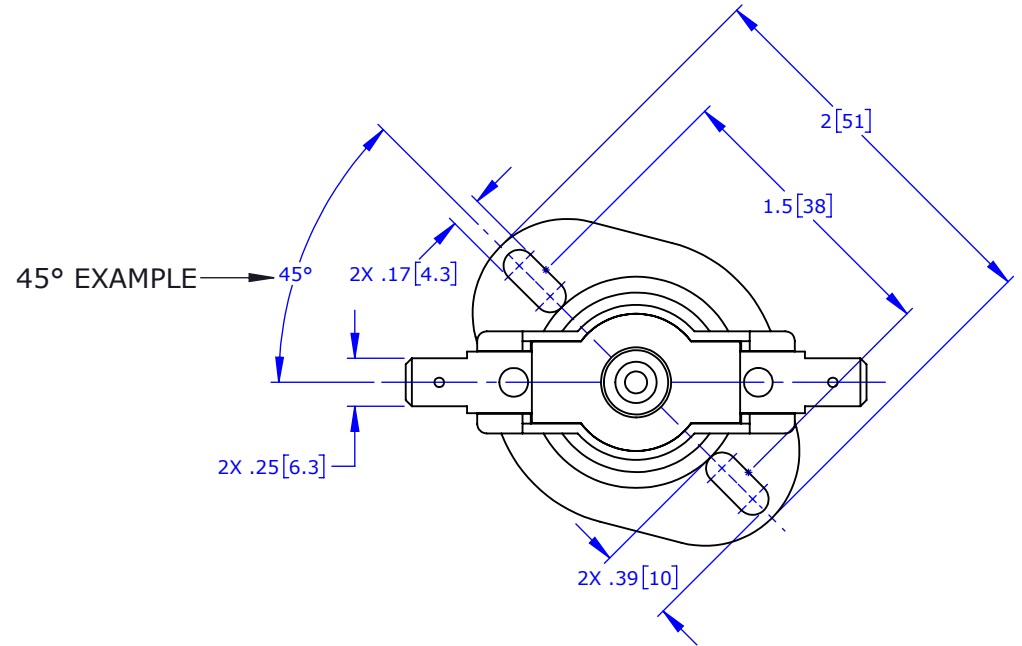
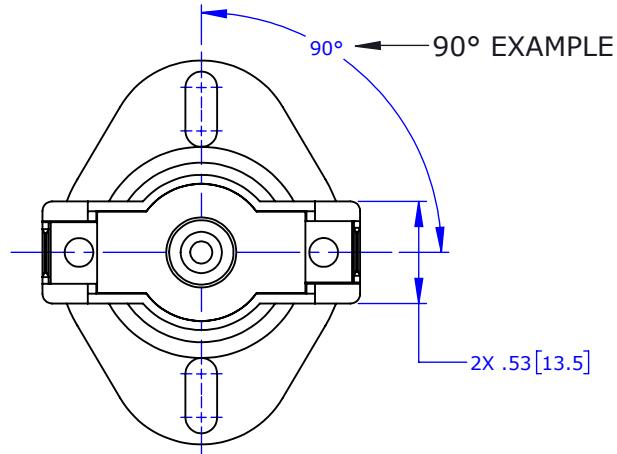
SYMBOL	DESCRIPTION	ECO/ECR	DATE	DFT/APP
01	INITIAL RELEASE	ER 5960	2/5/2021	BJ/EP

NOTES:


- THERMOSTAT TYPE: SE (T10) MANUAL SERIES (M1 TYPE DEVICE)
 - ALL MANUAL RESET MODELS WILL BE OPEN ON RISE (NORMALLY CLOSED)
- ELECTRICAL RATINGS: (6,000 CYCLES)
 - 120/240VAC, 25A, RESISTIVE
 - 120VAC, 10FLA, 60LRA, INDUCTIVE
 - 240VAC, 5FLA, 30LRA, INDUCTIVE
- TEMPERATURE RANGE:
 - UL MODELS: 120°F TO 302°F (49°C TO 150°C)
 - NON-UL MODELS: 302°F TO 350°F (150°C TO 177°C)
 - TOLERANCE DEPENDS ON MODEL
- DIELECTRIC STRENGTH: 1,500VAC/MINUTE
- ROHS COMPLIANT

THERMOSTAT LISTINGS - UL (E145478, XAPX2)
CUL (E145478, XAPX8)

PLEASE CONTACT SELCO WITH QUESTIONS OR INDIVIDUAL PART NUMBER DRAWINGS



CONTROLLED DOCUMENT
VERIFY REVISION

MATERIAL SEE NOTES	DRAWN BY B.JOSIFKO	DATE 2/5/2021	 8780 TECHNOLOGY WAY, RENO, NV 89521 800-257-3526			
FINISH N/A	CHECKED BY G.BIAGI	DATE 2/5/2021				
HEAT TREATMENT N/A	PROJECT ENGINEER E.PEDROZA	DATE 2/5/2021	DESCRIPTION 3/4" DISC THERMOSTAT WITH MANUAL RESET AND BRACKET			
X=SPECIFIED DIMENSIONS ARE IN INCHES	DOCUMENT CONTROL L.SALDIERNA	DATE 2/5/2021	SIZE A	DWG. NO. SE-M SERIES THERMOSTAT	REVISION 01	
[X]=SPECIFIED DIMENSIONS ARE IN MILLIMETERS	TOLERANCES UNLESS OTHERWISE POSTED		PRODUCT CLASS 2L	SCALE N/A	CODE INCH NO. 1G5X3	
					SHEET 1 OF 1	